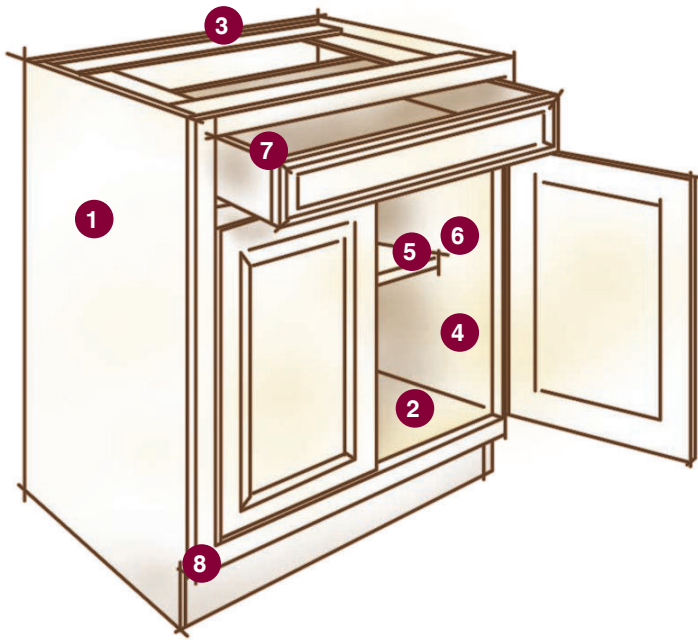


CONSTRUCTION DETAILS



1. End (side) Panel Material 3/4" hardwood plywood veneer core—Unfinished
Option 3/4" hardwood plywood veneer core—Finished
Option 3/4" hardwood plywood veneer core—Flushed Furniture End
Option 3/4" hardwood plywood veneer core—Flushed & Finished
2. Top/Bottom Material 1/2" hardwood plywood veneer core
3. Back Panel Material 1/2" hardwood plywood
Option 3/8" beaded back
Option 3/4" flush back
4. Interior Finish Natural birch melamine
Option Stained matching veneer
Option Natural maple veneer
5. Shelf Material 3/4" hardwood plywood
6. Base Cabinet Shelf Two-Thirds Depth
Option Full Depth
7. Drawers & Roll Trays 5/8" hardwood, Dovetail Joinery
 Glides Soft close, full extension, under-mount
Option Walnut drawer boxes and roll trays
8. Face Frame Beaded or Flush
9. Door Hinges Concealed hinge with soft close, or full wrap finial hinge in five colors: Dark Oil Rubbed Bronze, Pewter, Matte Nickel, Black and Copper Bronze

FACE FRAME OPTIONS

All inset door styles are available with a Beaded or Flush face frame.

BEADED INSET FACE FRAME

Openings of face frame feature a bead.

FLUSH INSET FACE FRAME

Openings of face frame are square.



FINIAL HINGE COLORS

