

Table of Contents

What's New	I.3
Introduction.....	I.5
Modifications and Customization	M
Door Styles	D
Wall Cabinets.....	W
Range Hoods	H
Base Cabinets.....	B
Tall Cabinets	T
Vanity and Office Cabinets	V & O
ADA Cabinets	ADA
Accents and Mouldings	A
Storage.....	S
Replacement Parts & Supplies	PS
Selling Tools	ST

URBANEFFECTS®

CABINETS

Styles, product availability, and construction may vary slightly from those shown in this book due to material availability and/or design evolution and are subject to change without notice.

In keeping with our practice of continuous product improvement and/or to maximize efficiencies, Urban Effects Cabinetry may adjust specifications in design and materials as it deems necessary. Where differing materials are utilized, they will be of similar or better quality in keeping with Urban Effects Cabinetry's commitment to quality.

Customer service is available if your design requires verification of product availability and specifications.

Product photography and illustrations have been reproduced as accurately as printing technologies permit.



KITCHEN CABINET MANUFACTURERS ASSOCIATION
ENVIRONMENTAL PROTECTION PROGRAM (EPP)
ALL PRODUCTS MEET THE ENVIRONMENTAL
PROTECTION PROGRAM (EPP) VERIFICATION



Part of the
MasterBrand™
Family

What's New

Dear Valued Partner,

We are excited to introduce our Fall 2021 Product Launch! This season's launch includes an expansion of base waste bin units, updated appliance garages, and a brand-new line up of wood range hoods.

Product Expansions

New Base Wood Single and Double Waste Bins

We've expanded our waste bin selection to include:

- Single waste bin base units with bottom mount pullout in 12" and 15" widths in standard and full height options (page B.8)
- Double waste bin base units with bottom mount pullout in 18", 21", and 24" widths in standard and full height options (page B.9)

Appliance Garages

Introducing a modern twist on a classic design – a lift door now replaces the previous roll-up version. Store small kitchen appliances in style, keeping them out of sight but still easily and quickly accessible.

- Stacked Wall units with Appliance Garage Lift Door (pages W.82 & W.83)
- Appliance Garage Lift Door units (page W. 84)
- Wall unit with Appliance Garage Lift Door (page W.85 & W.86)

Range Hoods

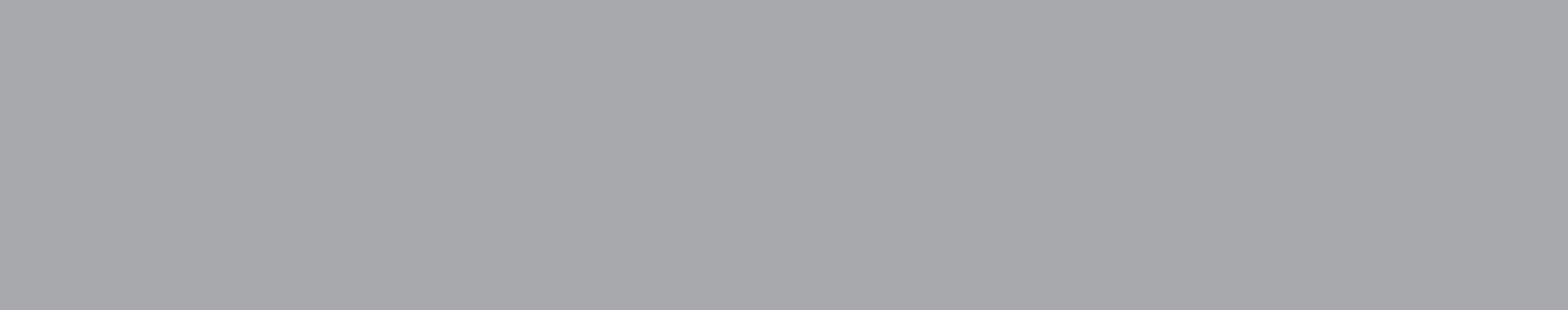
New wood hoods have been introduced in the following styles:

- Square
- Euro
- Chimney
- Tapered
- Shiplap
- Chimney Shiplap
- Artisan
- Contemporary
- Canopy Square

All of the above wood hoods are featured on pages H.11 – H.14

New wood hood blowers are now available in 400, 500, and 1100 CFM (pages H.14 & H.15)

Stainless range hood options have also been added in taper and square styles with accompanying options of an air deviator and carbon filter (pages H.15 & H.16)



Introduction

Materials Information	I.6
Custom Paint Program	I.7
Cabinet Specifications	I.8-9
Drawers and Slide Out Trays	I.10
Drawer Box Systems.....	I.11
How to use the Product Specification Catalog	I.13
Features and Details.....	I.14-18
Base	I.14
Wall	I.15
Vanity	I.16
ADA	I.17
Tall	I.18
Modifications.....	I.19-28
Floating Shelves	I.29
Customization	I.31-33

Materials Information

Most woods will darken and mellow with age. Also, variation is one of the inherent beauties of wood, and because of this, the grain, texture, and color of any sample will vary from any other sample. When wood is exposed to light, it will change color, especially in the lighter stains. Variations will be more apparent when viewing larger samples, displays, and entire rooms of cabinetry.

Cherry

Cherry displays a distinctive grain pattern and warm color shadings ranging from nearly white to dark reddish brown. Dark pockets, pin knots, and random streaks are common. More than most woods, cherry will darken when exposed to light, especially in the light stains.

Maple

Maple is a versatile hardwood with a fine, smooth grain. Maple varies in color from nearly white to slightly reddish brown. Mineral or sugar streaks occur naturally in maple and can vary from piece to piece. This is more noticeable in lighter stains.

Red Oak

Oak is a strong hardwood with a long, linear grain, often displaying tiny rays. At times, oak has small pinholes and tight knots. Oak coloration can range from a golden wheat to deeper tones and can include grays and greens.

Rift Red Oak

Natural grade quarter and rift sawn Red Oak has more character markings than the premium grade for a less formal feel. Quarter and rift sawing slices the wood at a different angle so the planks have radial and vertical grain instead of tangential grain. This exposes the medullary rays or "fleck" (a hallmark of arts and craft style oak furniture) and provides additional stability.

Rustic Alder

Rustic Alder is a hardwood with a fine straight-grain and even texture. The natural color is a light brown with a yellow or reddish tinge. Natural characteristics include spots, knots, and blemishes. As one of the softest hardwoods, Rustic Alder can be easily dented or scratched.

Walnut

The sapwood of Walnut is creamy white, while the heartwood is light brown to dark chocolate brown, occasionally with a purplish cast and darker streaks. The wood develops a rich patina that grows more lustrous and lightens with age. The wood is generally straight-grained, but sometimes with a wavy or curly grain that produces an attractive and decorative figure. This species produces a greater variety of figure types than any other.

Acrylic

Ultra-high gloss acrylic finishes reside on a particle board core.

Plywood

Plywood is an engineered wood created by gluing multiple layers of thinner wood, called plies or veneers, together so that the wood grain in each veneer layer is perpendicular to the grain of the previous layer. Plywood veneer is a very strong, durable product.

HDF

High-Density Fiberboard (HDF) is an engineered wood product formed by breaking down softwood into wood fibers, combining it with wax and a resin binder. It is then formed into panels by applying high temperature and pressure. The benefit of HDF is there is no graining so there is little tendency to split. It is consistent in dimension and is an excellent product for shaping and painting.

Thermofoil

Thermofoil doors are a vinyl-coated, thermally-glued ¾" HDF with melamine backer. The vinyl is bonded to the high density core using heat and pressure resulting in a product with excellent wear and heat resistant properties. When Thermofoil is selected, some fillers, panels, mouldings, and embellishments will use a non-melamine backed core.

Melamine

Melamine doors have a particle board core with a durable thermally fused melamine coating.

PureStyle™

PureStyle™ doors feature 5 piece MDF mitred construction. PureStyle's malleable laminate wraps and contours around each lineal and insert panel, which are then assembled into a door or drawer front. This enables the door style to attain a higher degree of styling with clean lines and distinct features. PureStyle™ provides a surface that is abrasion resistant to dents and scratches.

Echo Wood

Our Highland doors in Oak, Maple, Shale, Wenge, Cherry, and Walnut are made of reconstituted wood products. The use of common wood fiber from well managed plantation-grown and FSC Certified forests provide an excellent resource for the production of reconstituted products. These products provide a practical alternative to achieving the look of even the most expensive and rare woods by providing the highest quality architectural wood veneers, panels, and edge tape available. These environmentally responsible veneers are defect free and are consistent in color and grain time and time again.

Bamboo

Bamboo is not a wood species; it is a grass with wood characteristics. The harvesting and re-harvesting is done without damaging the surrounding environment. Bamboo starts to regenerate immediately after being cut, similar to a lawn. Bamboo significantly reduces the impact on the environment; there is no need to replant so the extensive root systems stay in place and this prevents soil erosion.

Custom Paint Program

Custom Paint Finish: any finish you want, we can match it.*

Choose a color from any paint manufacturer and we can match it! Our custom paint program gives you the ability to create unique cabinetry that reflects a homeowner's taste and lifestyle.

Species: Red Oak
Maple
HDF

Custom Paint Color Ordering Instructions

Before you place a cabinetry order containing a custom color, we need to prepare a sample door for your approval. The cost of a sample door for a custom color is \$104 net.

- Fill out the Custom Paint Form (found on One Touch) and mail the form and the paint swatch to:
 - Urban Effects Cabinetry
 - Attention Order Desk
 - 1980 Springfield Road
 - Springfield, MB R5R 0J3
 - CANADA
- Email or fax the Sample Door Order Form, making sure to list the door style, paint manufacturer, and the paint color code. The sample door order will be entered when we receive the paint swatch sent in step one above.
- We will produce two sample doors (DSPDRP) in the custom color requested and ship one to you for review within five business days.
- The second sample door is stored for 12 months at our plant. The cabinetry order needs to be placed within 12 months of the sample door being produced.
- If you approve the color, please sign the Order Acknowledgement and submit it along with your cabinetry order.
- If you do not approve the color, please send an email to Customer Service. Please note, orders will remain on hold until customer approval is received.
- Place the cabinetry order using the normal method. Note the following:
 - On the cabinetry order form, write "Custom Paint" along with the paint name, paint color code, and the Glaze choice or Brush Stroke choice if applicable.
 - In addition, Red Oak and Maple orders require a signed Finish Awareness Statement.
 - Add the appropriate upcharge to the entire order:
 - Custom Paint 20% upcharge. If used in conjunction with a SPA, the 20% finish upcharge will apply.
 - Custom Paint with Glaze 25% upcharge. If used in conjunction with a SPA, the 25% finish upcharge will apply.
 - Custom Paint with Brush Stroke 25% upcharge. If used in conjunction with a SPA, the 25% finish upcharge will apply.
 - Normal lead times apply.

Construction Notes

- Custom colors are available on boxes constructed of standard particle board and plywood.
- Light colors are applied over a white primer base. Mid to dark colors are applied over a grey primer base.
- We will try to find a poly edge tape that matches the color as closely as possible. If that is not possible, a finished veneer tape will be used.
- The standard interior will be white Melamine. For a finished interior/exterior, use the MV modification.
- Exposed wood ends need to be finished
 - Wall - Use the WFE modification
 - Base - Use the BVFE modification
 - Vanity, Hanging Vanity - Use the BVFE modification
 - Tall - Use the TFE modification

Additional Custom Finish Options

Add a Glaze to your custom paint color

- Choose Coffee, Midnight, Onyx, or Pebble
- Make sure to specify the Glaze choice on your order for the sample door in step #2.

Add Brush Stroke to your custom paint color

- Brush Stroke is only available for Maple and HDF cabinetry
- Make sure to specify the Brush Stroke choice on your order for the sample door in step #2. Brush Stroke choices are listed under the tab "Finish Availability."

Matching a color that isn't a paint swatch

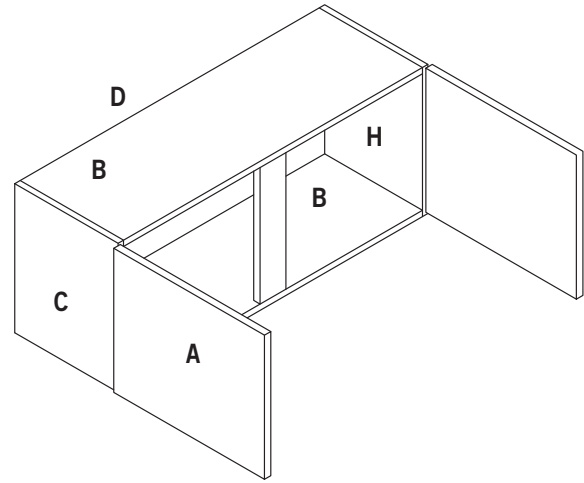
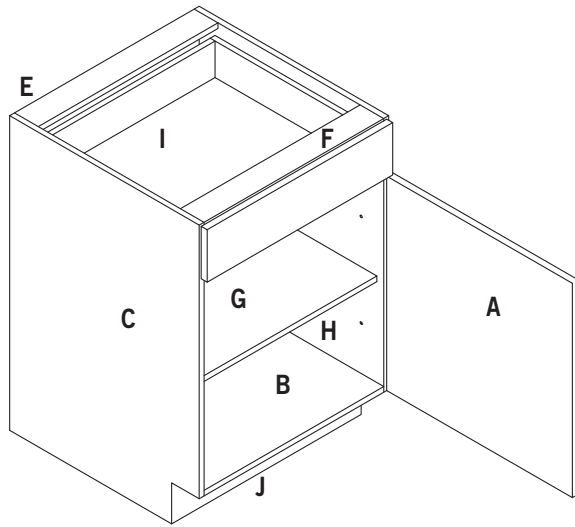
- Sometimes, the desired color isn't a paint swatch. Instead, it's already on a door. Please be aware, it can be difficult to match a color that originates on textured, glossy, or shiny material, but we will do our best to arrive at the desired color.
- In step #1, instead of sending a paint swatch, send the door.

Bypassing the sample door order

- There is no need to order a sample door if you've ordered the custom color before. You can skip step #2.
- When you place a cabinetry order for a custom color you've used before, let us know the name of the custom color in step #7 and/or the original job number.

***Any custom paint matching is subject to approval and additional upcharges, depending on the finish and the process involved to match as closely as possible.**

Cabinet Specifications



A. Doors

- Framed wood doors are constructed with solid wood stiles and rails. Panel inserts are made of solid wood, HDF, or Veneered material.
- Slab doors are constructed with Veneer or textured Melamine over particle board core, 3/4" solid HDF or Acrylic, or 5/8" Thermofoil.
- Molded doors are constructed of 5/8" Thermofoil or 3/4" Thermofoil.

B. Top and Bottom Panels

- Fluted dowel joining on base cabinet
- Top and bottom panels are 5/8" particle board.

C. Side (Gable or End) Panels

- Full access design with fluted dowel joining.
- Side panels are 5/8" Melamine with matching edge tape.
- Side panels have nailers for installation.

D. Back Panels

- Constructed of 1/4" industrial-grade painted hardboard.
- All backs are dadoed in and securely attached with glue.
- Depending on material, units over 48" wide may come with backs with vertical grain.
- All hanging vanity units have a 5/8" thick captured back.
- All units with matching Melamine interior/exterior in the following colors will come with a 5/8" captured back: Barnwood, Bisque, Chill, Flint, Haze, Slate, Strata, and Vintage.

E. Hanger Rails

- Wall cabinets have a 3/8" thick hanging rail/mounting strip glued at the top and bottom behind the 1/4" back.
- Base, Vanity, and Tall cabinets have a 3/8" thick hanging rail/mounting strip glued at the top behind the 1/4" back.

F. Base Cabinet Stretcher (crosspiece)

- Base cabinets have two 5/8" x 3" stretchers doweled into the side panels in the front and back to reinforce the cabinet construction. The front stretcher on sink base cabinets are 1 3/8" wide by 5/8" thick solid wood.

G. Shelves

- Full depth shelves are constructed of 5/8" thick industrial grade particle board coated with printed industrial-grade Melamine on both faces and edge taped on front edge only.
- Shelving is nested in the main cabinet to be installed on-site.
- Shelves in the main cabinet can be a combination of adjustable and fixed.
- Designed to support 15 lbs. per square foot.

Standard Adjustable Shelves	
Cabinet Height	No. of Shelves
Less than 21"	0
21" and greater	1
27" and greater	2
36" and greater	3
Greater than 42"	4

H. Cabinet Interior

- Cabinets specified in a wood door style will have a standard white Melamine interior. Options are a natural Melamine interior and, when APC is specified, a natural birch Veneer interior. See page M.3.
- Cabinets specified with Thermofoil, Melamine, textured Melamine, and Acrylic door styles have a standard white Melamine interior.
- Cabinets that have a matching interior/exterior will come with Veneer edge tape for wood door styles and PVC edge tape for Melamine, Acrylic, Thermofoil, and HDF door styles.
- Matching interior and exterior options listed below are available as a modification on most Wall, Base, Vanity, and Tall cabinets. Refer to the door/finish charts for availability and restrictions.

- MM Matching Melamine Interior & Exterior
- MV Matching Veneer Interior & Exterior
- MA Matching Acrylic Interior & Exterior
- BB Matching Veneer Interior & Exterior with Beaded Back (available on wood door styles only)

I. Drawers and Slide Out Trays (SOT)

Standards and upgrades are illustrated on pages I.10-11.

J. Toe Kick

- The toe kick is inset into the cabinet box 2⁵/₈".
- The toe kick is 4¹/₂" high on standard cabinets, and 9" high on ADA units.
- Toe kicks are 5/8" unfinished industrial grade particle board.
- To finish the toe kick space, a TK overlay is required.
- These options are available on Base, Tall, and Vanity cabinets:
 - Optional Flush Toe Kick
 - No Notch Toe Kick
 - Toe Space Kick Sides/Back

TOE KICKS WILL BE SHIPPED LOOSE FOR ON-SITE INSTALLATION. PLEASE REFER TO PAGE M.9

K. Hinges

- 110°, 6-way adjustable hinge with stamped steel cup and hinge body.
- Standard with Single Wall Steel drawer box option.
- Hinges automatically upgrade to soft close feature on Double Wall Steel and Wood Dovetail drawer options.

Door Hinges	
Door Height (Inches)	Amount of Hinges
10.5" High Door to 36" High Door	2 Hinges
38" High Door to 42" High Door	3 Hinges

CASE OPTION: All Plywood Cabinet Construction (APC)

See page M. 2 for details. You can choose All Plywood Construction when:

- The cabinets are specified in a wood door style.
- The drawer box system is Wood Dovetail or Double Wall Steel.

Please note:

- Only the cabinet case is plywood. Doors, fillers, etc. will be made from wood or particle board.
- Beaded backs are not available with a plywood core. They will have a particle board core.
- **Select plywood construction on order form. Add 10% upcharge to entire order.**

STANDARD CABINET DIMENSIONS			
	WIDTH*	HEIGHT	DEPTH
WALL	6", 7½", 9", 10.5", 12", 13½", 15", 16½", 18", 19½", 21", 24", 27", 30", 33", 34", 36", 37", 39", 42", 45", 48", 51", 54"	10½", 12", 13½", 15", 18", 21", 24", 27", 30", 33", 36", 38", 40½", 42"	12⅝", 24"
BASE	9", 10½", 12", 13½", 15", 16½", 18", 19½", 21", 24", 27", 30", 33", 36", 39", 42", 45", 48"	34⅝"	12⅝", 24"
TALL	12", 15", 18", 21", 24", 27", 30", 33", 36"	82½", 84", 86", 90", 92", 94½", 96½"	12⅝", 24"
VANITY	10½", 12", 13½", 15", 16½", 18", 19½", 21", 24", 27", 30", 33", 36", 39", 42", 45", 48", 51", 54", 57", 60"	29⅝", 31⅝", 34⅝"	16", 18", 21"
TOE KICK		4½", 6", 8½"	
TOP DRAWER		6"	

* To maintain structural integrity, cabinets that are over 36" wide will be built with one ⅝" thick stretcher and one ⅝" thick centre stile.

Drawers and Slide Out Trays

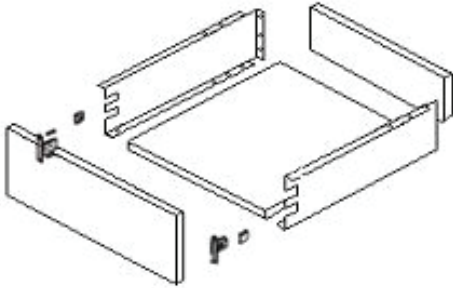
STANDARD: Single Wall Steel Drawer and Slide Out Tray System (SWS)		
This is the standard drawer and slide out tray.		
	Drawer Box	Slide Out Tray (SOT) Box
Front	Drawer front	Taped 5/8" melamine, in white or natural to match the cabinet interior. (Natural is available as an upgrade).
Back	5/8" melamine, in white or natural to match the cabinet interior. (Natural is available as an upgrade).	5/8" melamine, in white or natural to match the cabinet interior. (Natural is available as an upgrade).
Bottom	Taped 5/8" melamine, in white or natural to match the cabinet interior. (Natural is available as an upgrade).	Taped 5/8" melamine, in white or natural to match the cabinet interior. (Natural is available as an upgrade).
	Fully captured into dado, positioned 5/8" up from bottom edge	Fully captured into dado, positioned 5/8" up from bottom edge
Slides	Epoxy coated steel with nylon rollers	Epoxy coated steel with nylon rollers
Load capacity	30kg/66lbs.	30kg/66lbs.

OPTION: Double Wall Steel Drawer and Slide Out Tray System (DWS)		
When DWS is selected, cabinet doors will receive soft close hinges.		
	Drawer Box	Slide Out Tray (SOT) Box
Front	Drawer front	Taped 5/8" melamine, in white or natural to match the cabinet interior. (Natural is available as an upgrade).
Back	5/8" melamine, in white or natural to match the cabinet interior. (Natural is available as an upgrade).	5/8" melamine, in white or natural to match the cabinet interior. (Natural is available as an upgrade).
Bottom	Taped 5/8" melamine, in white or natural to match the cabinet interior. (Natural is available as an upgrade).	Taped 5/8" melamine, in white or natural to match the cabinet interior. (Natural is available as an upgrade).
	Fully captured into dado, positioned 5/8" up from bottom edge	Fully captured into dado, positioned 5/8" up from bottom edge
Slides	Steel ball bearing full extension undermount with silent self closing mechanism	Steel ball bearing full extension undermount with silent self closing mechanism
Load capacity	30kg/66lbs.	30kg/66lbs.

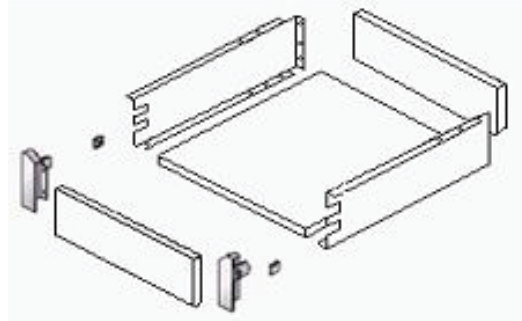
OPTION: Solid Wood Dovetail Drawer and Slide Out Tray System (WD)		
This upgrade is available when you choose cabinets that have a plywood, white melamine or natural melamine interior . When WD is selected, cabinet doors will receive soft close hinges.		
	Drawer Box	Slide Out Tray (SOT) Box
Sides	Dovetailed 5/8" lacquered solid birch	Dovetailed 5/8" lacquered solid birch
Height of sides	4 1/8", 7 1/16", 10 1/4"	4 1/8"
Front	5/8" lacquered solid birch	5/8" lacquered solid birch
	Drawer fronts are attached to the box with screws.	
Back	5/8" lacquered solid birch	5/8" lacquered solid birch
Bottom	1/4" birch bottom, retained in groove	
Slides	Steel ball bearing full extension undermount with silent self closing mechanism	Steel ball bearing full extension undermount with silent self closing mechanism
Load capacity	30kg/66lbs.	30kg/66lbs.
Depth of Drawer, SOT	Base 20.5", Vanity 18.5"	Base 20.5", Vanity 18.5"

Drawer Box Systems

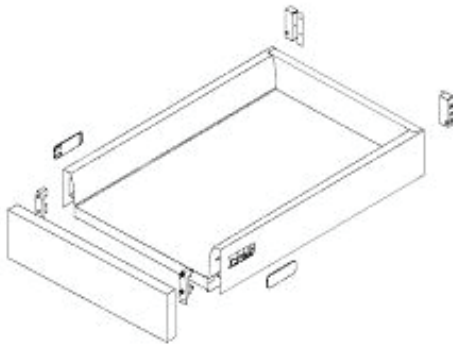
STANDARD Single Wall Steel Drawer Box



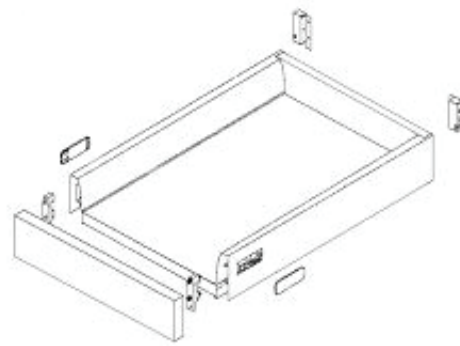
Standard Slide-Out Tray (SOT) Box



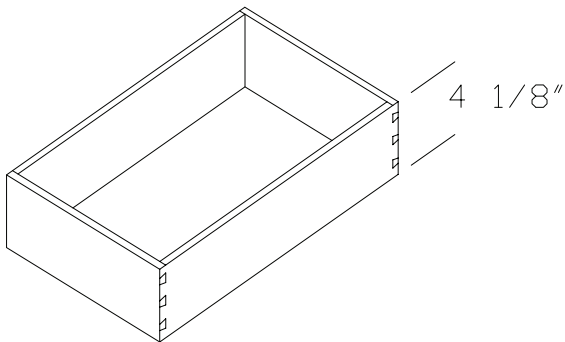
OPTIONAL Double Wall Steel Drawer Box



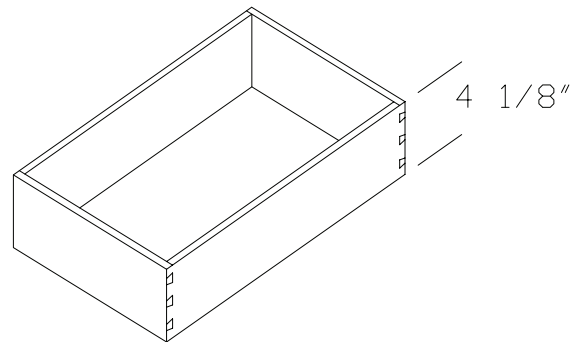
Double Wall Steel Slide-Out Tray (SOT) Box



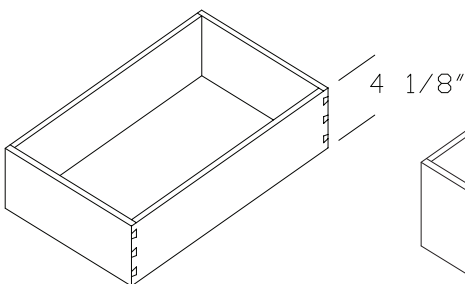
OPTIMAL Solid Wood Dovetail Drawer Box



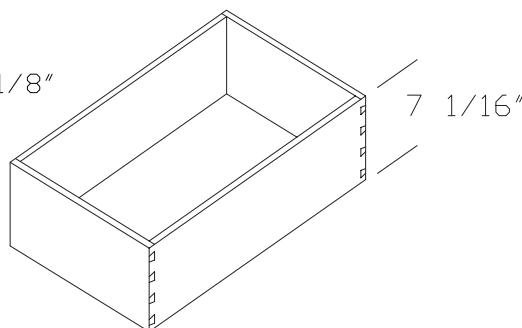
Solid Wood Dovetail Slide-Out Tray (SOT) Box



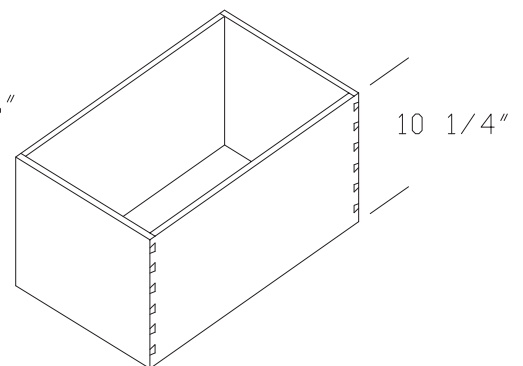
Small Dovetail Wood Drawer Box



Medium Dovetail Wood Drawer Box



Large Dovetail Wood Drawer Box



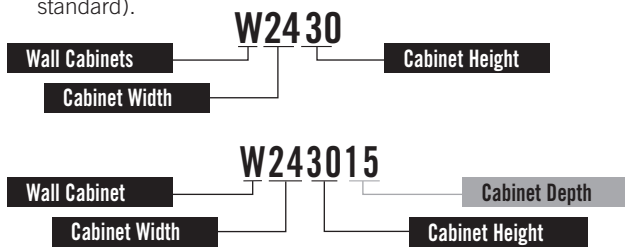
How to Use the Product Specification Catalog

The cabinet specifications catalog combines product information, illustrations, and features into one easy-to-use reference manual.

How to Read a Cabinet Product Code

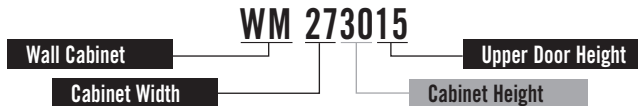
Wall Cabinets

Wall cabinets are listed by item code, width and height. In the example below, 24 is the width and 30 is the height. The standard depth of a wall cabinet is 12 $\frac{3}{8}$ " deep and because it is standard, it is not listed in the code. (The depth will be in the code when it is not standard).



Microwave Cabinet

The last two digits indicate the cabinet height of the upper door section.



Base Cabinets

The standard height of a base cabinet is 34 $\frac{5}{8}$ " and the depth 24". Base cabinets are listed by item code and width only, thus the 24 in this example is the width.

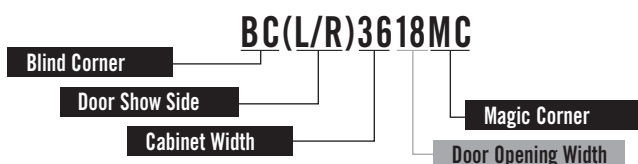


Base Cabinet Modifications

Modifications such as RCS - Remove Center Stile may be added to a base cabinet product code.



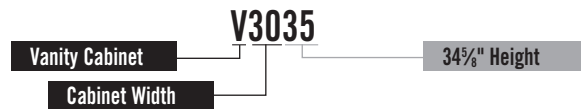
Corner Cabinets



Vanity Cabinets

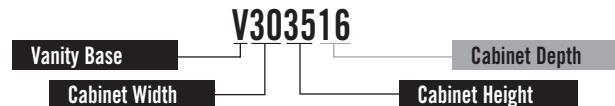


Vanity Cabinet Option



Vanity Cabinet Option

Vanity cabinets can be ordered with 16" and 18" depths at no charge.



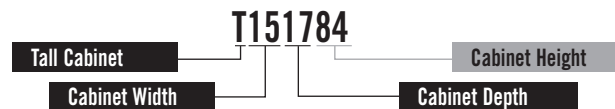
Base & Vanity Cabinet Option

Base and Vanity cabinets can be ordered in additional depths by adding depth and DP to the cabinet code.

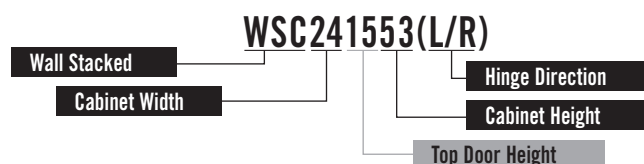


Tall Cabinet Option

Tall cabinets can be ordered in additional depths by adding depth to the cabinet code.



Stacked Cabinets

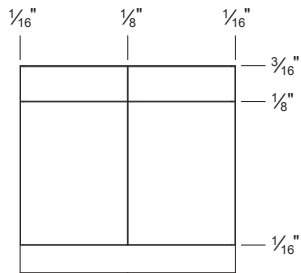


Features and Details

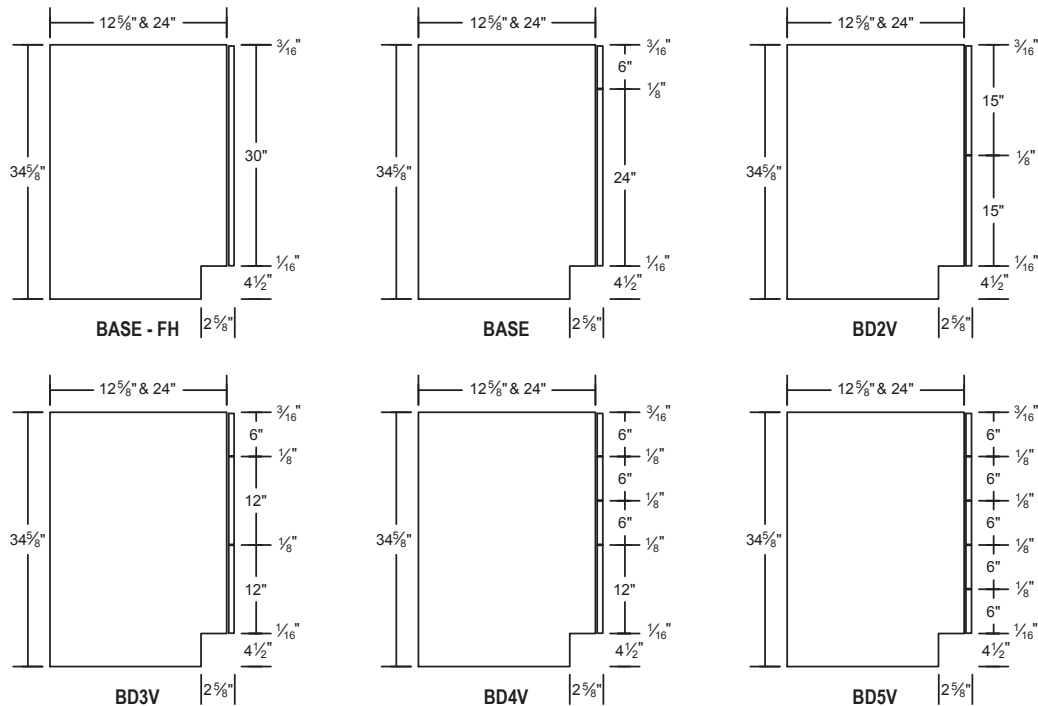
Our cabinetry offers a variety of dimensions for each cabinet, allowing you to create the perfect design.

- The illustrations on the following pages show all dimensions in inches.
- 24" wide cabinets have a 2 door option.
- Our construction includes center stiles for additional support.
 - The center stile is 2.6" wide.
 - Wall cabinets 36" wide and over will have a center stile.
 - Base, Vanities and Talls 33" wide and over will have a center stile.
 - Two door standard base cabinets have a 2.6" center stile starting on 33" wide cabinets.

CABINET FACE

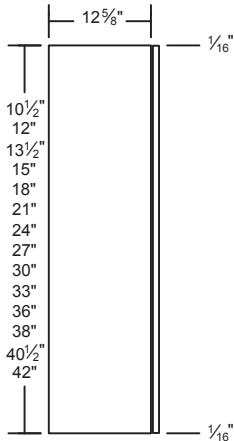


BASE

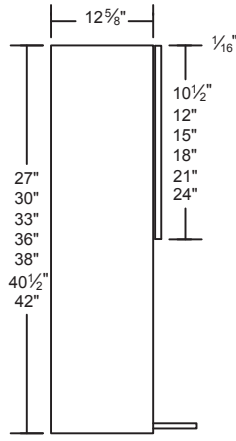


All cabinets may not be available in all combinations of heights, widths, and depths or in all door styles.

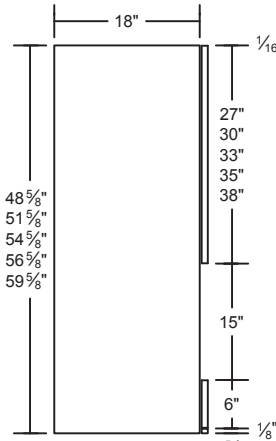
WALL



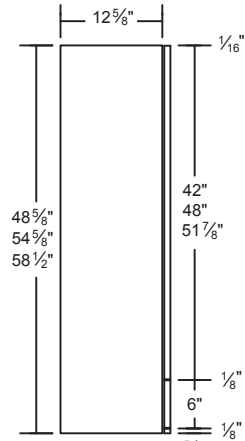
WALL



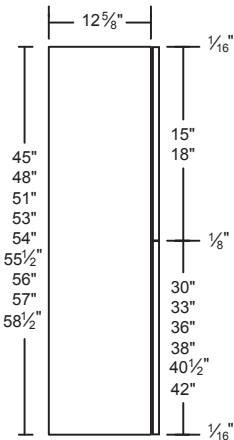
WM with Shelf 18"



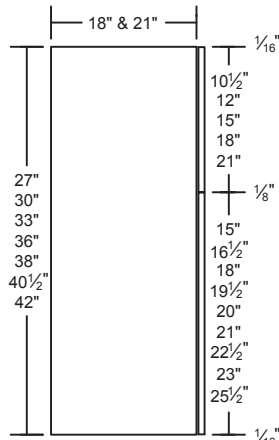
WDMW



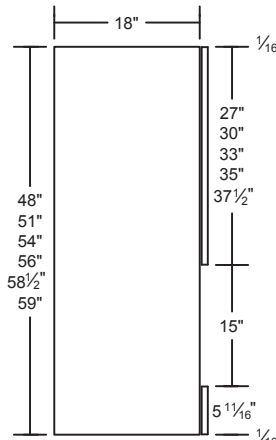
WDS - 1 Drawer



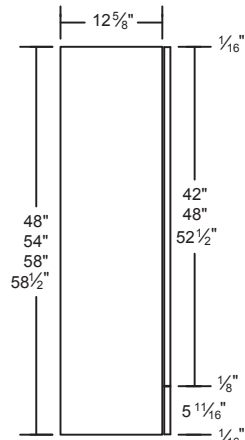
WSC



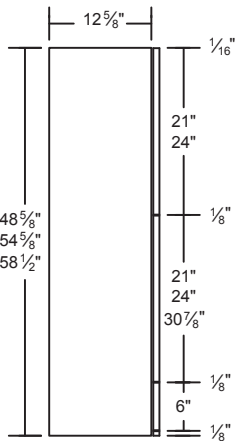
WMF



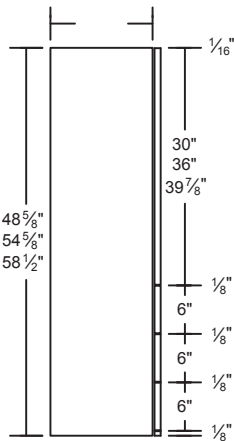
**WDMWX
slab front**



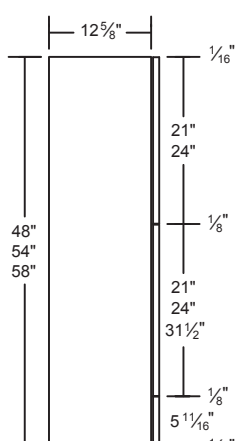
**WDSX - 1 Drawer
slab front**



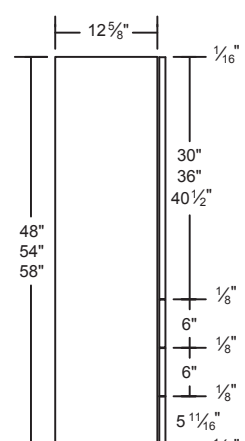
WD - 1 Drawer



WD - 3 Drawer



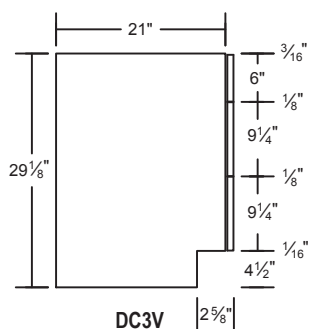
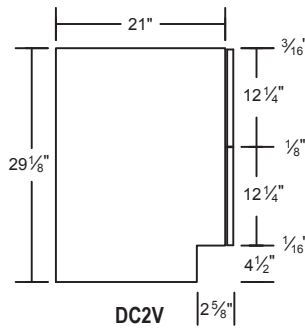
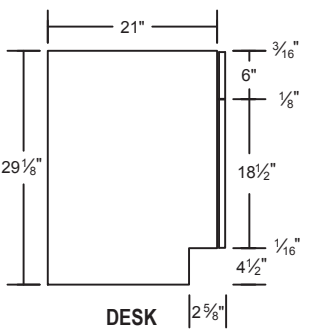
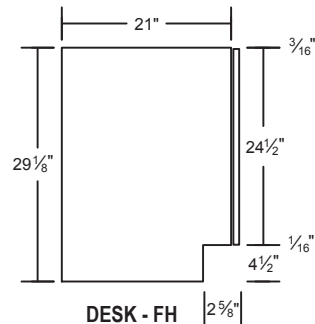
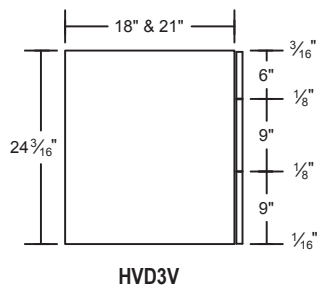
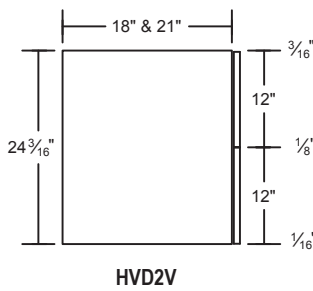
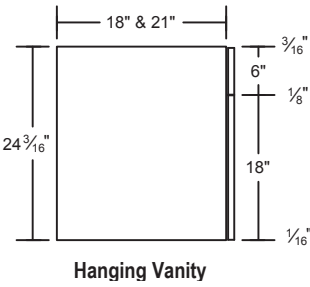
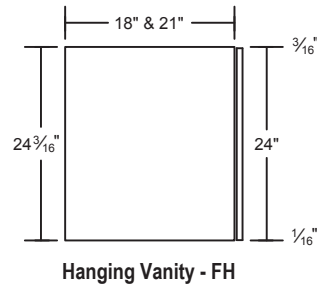
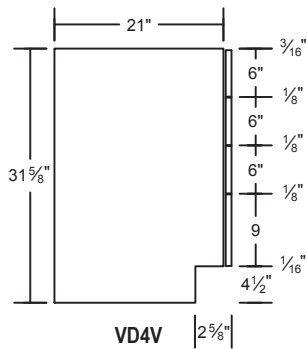
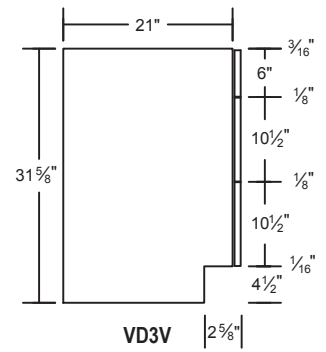
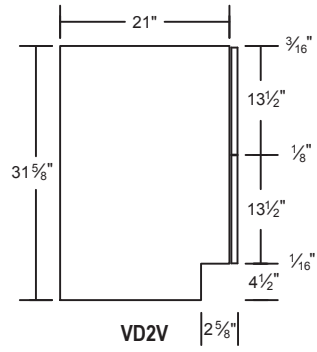
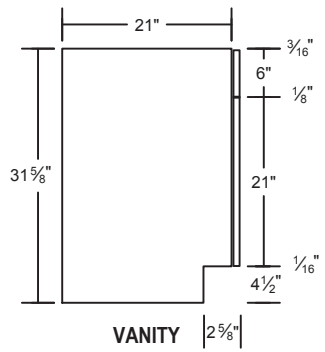
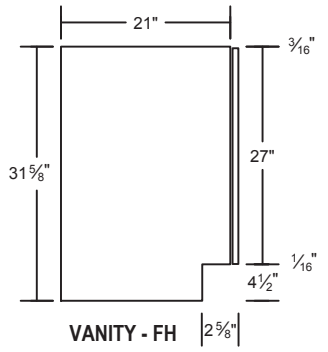
**WDX - 1 Drawer
slab front**



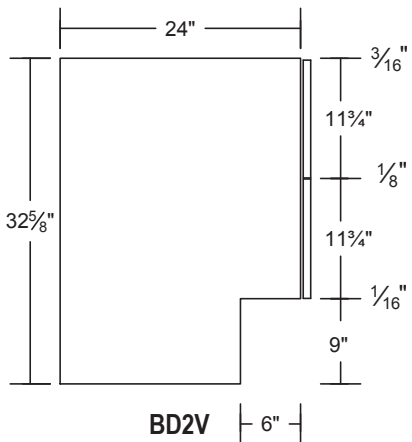
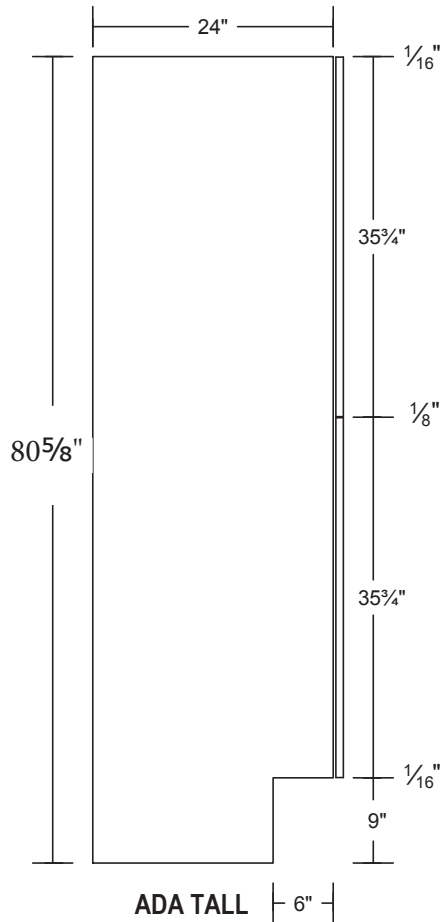
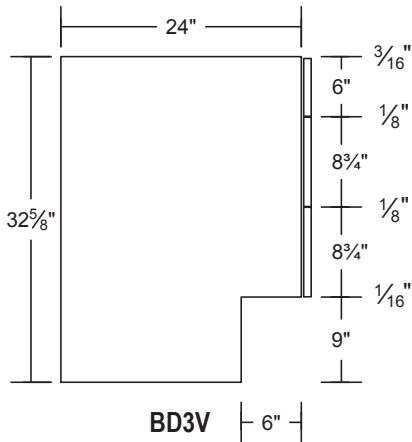
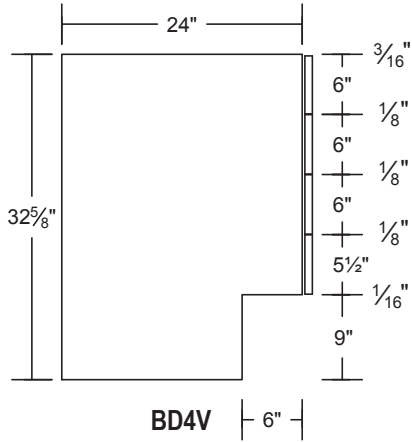
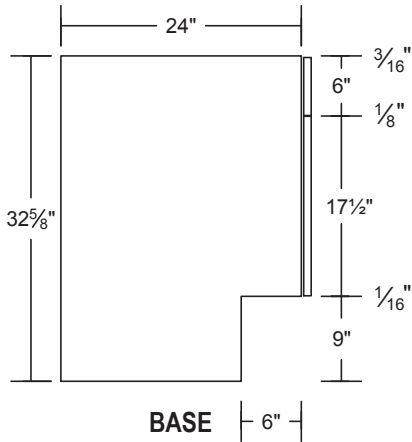
**WDX - 3 Drawer
slab front**

Features and Details

VANITY

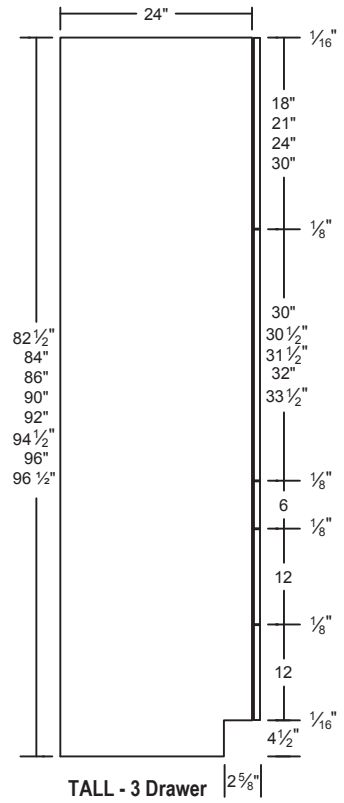
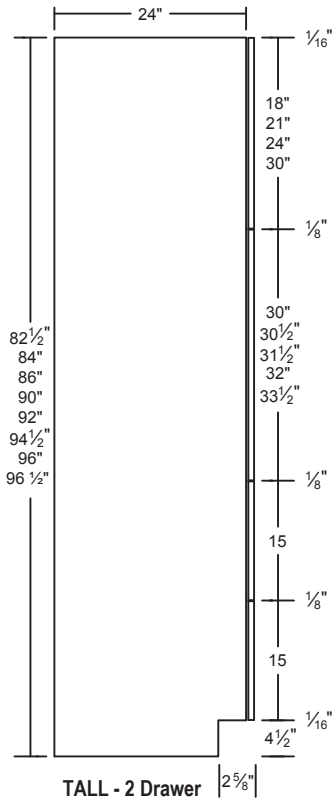
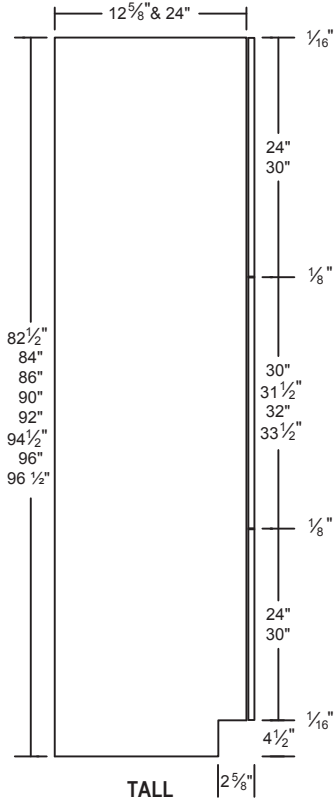


ADA - Americans with Disabilities



Features and Details

TALL



INTRODUCTION

Modifications

Option Terms:

- BB = Beaded Back
- CAR = Carcass Only
- DA = Dual Access
- DOVETAIL = Wood Drawer Boxes
- DWS = Double Wall Steel Drawer Boxes
- FB = Finished - Bottom
- FEB = Finished - End Both
- FEL = Finished - End Left
- FER = Finished - End Right
- MFB = Melamine Finished - Bottom
- MFEB = Melamine Finished - End Both
- MFEL = Melamine Finished - End Left
- MFER = Melamine Finished - End Right
- MFS = Melamine Floating Shelf
- MM = Matching Melamine
- MV = Matching Veneer
- NNTKB = No Notch Toe Kick - Left & Right
- NNTKL = No Notch Toe Kick - Left
- NNTKR = No Notch Toe Kick - Right
- NTK = No Toe Kick
- OS = Open Shelf
- OSMA = Open Shelf - Matching Acrylic
- OSMM = Open Shelf - Matching Melamine
- OSMV = Open Shelf - Matching Veneer
- RB = Recessed - Bottom Only
- RBL = Recessed - Bottom & Left Side
- RBR = Recessed - Bottom & Right Side
- RC = Recessed - Cabinet
- RCS = Remove Center Stile
- SOT = Slide Out Tray
- SWS = Single Wall Steel Drawer Boxes
- TSKB = Recessed Toe Kick - Back
- TSKL = Recessed Toe Kick - Left
- TSKLB = Recessed Toe Kick - Left & Back
- TSKLR = Recessed Toe Kick - Left & Right
- TSKLRB = Recessed Toe Kick - Left, Right, & Back
- TSKR = Recessed Toe Kick - Right
- TSKRB = Recessed Toe Kick - Right & Back

- Case OptionsM.2
- Finished Bottom on Wall Units.....M.2
- Finished End Options.....M.2
- Matching Melamine Finished EndsM.2
- Matching Interior/ExteriorM.3
- Cabinets without Doors (Open Shelf Units).....M.3
- Carcass OnlyM.3
- Drawer and Slide-Out Tray Options.....M.3
- 5-Piece Drawer Front OptionM.4
- Combination Drawer FrontM.4
- Combination Drawer Front Upgrade.....M.4
- Remove Center StileM.5
- Dual Access Cabinets.....M.5
- Option for Hanging Vanity Hardware.....M.5
- No Insert and Mullion Doors.....M.5
- Dual Insert Doors.....M.6
- Door and No Insert Door Size ChartsM.7-8
- Toe Kick OptionsM.9
- Recessed Cabinet Door Overhang.....M.10
- Carcass Only.....M.10
- Floating ShelvesM.11

Case Options

Standard Cabinet Construction

1. End Panels

5/8" particle board, white Melamine finished exterior

Options	Melamine Finished Ends	Wood, Veneer, Acrylic Finished Ends
Wall	WMFE	WFE
Base, Vanity, Hanging Vanity	BVMFE	BVFE
Tall	TMFE	TFE

White Melamine interior is standard. Natural Birch interior is available as an upgrade. Refer to the finish availability charts. Applies to all cabinets on an order.

All Plywood Cabinet Construction +10% on entire order

5/8" plywood, natural birch veneer finished exterior, 5/8" end panels

Options	Wood and Veneer Finished Ends
Wall	WFE
Base, Vanity, Hanging Vanity	BVFE
Tall	TFE

2. Top, Bottom, Back Panel

5/8" particle board, 1/4" hardboard back panel

5/8" plywood, 1/4" hardboard back panel

3. Shelf Material

5/8" particle board with Melamine and edge banding

5/8" plywood with wood Veneer

4. Interior Finish

- White Melamine or natural Maple Melamine on wood products
- White Melamine standard on Thermofoil, Melamine, textured Melamine, and Acrylic. Natural not available.

Options:

MM • Matching top, bottom, **interior and exterior** Melamine, 5/8" shelf with wood edge band

- Only available in certain finishes. Refer to the finish availability charts.

MV • Matching top, bottom, **interior and exterior** wood Veneer and 5/8" plywood shelf

- Not available with Melamine or Thermofoil

Note: Not all products available with MM or MV, see door style color chart for availability.

- Natural Birch Veneer on wood products

- All Plywood Construction not available on Thermofoil, Melamine, textured Melamine, and Acrylic

Options:

MV • Matching top, bottom and **interior and exterior** wood Veneer and 5/8" plywood shelf

Finished Bottom on Wall Units - (FB)

Melamine	\$37
Wood, Veneer & Acrylic	\$86
Walnut	\$100

Order: Specify FB

Finished End Options

Unit	Melamine Finished Ends		Wood, Veneer & Acrylic Finished Ends		Walnut Finished Ends	
	Specify	Price Per Side	Specify	Price per Side	Specify	Price per Side
Wall	MFE (L/R)	\$37	WFE	\$86	FE (L/R)	\$100
Base, Vanity, Hanging Vanity	MFE (L/R)	\$64	BVFE	\$140	FE (L/R)	\$166
Tall	MVE (L/R)	\$148	TFE	\$324	FE (L/R)	\$385

White Melamine interior standard. Natural Birch not available. See door style color chart for availability. Applies to all cabinets on order.

Note: Add FE code and L, R, or B to cabinet code. ie B15LFE (Base 15 with a Veneer finished end right)

- Thermofoil orders use Melamine finished ends. Melamine ends are only available with white interior. Finished bottoms on wall cabinets are available using standard wall finished end pricing. Add FB under finished ends to order.

How to Order for Veneer: Add FE code and R or L to the cabinet code. (i.e. B15LFE - Base 15 with a finished end right)

How to Order for Melamine: Add MFE and R or L to the cabinet code.

Matching Melamine Finished Ends of all Cabinets for Entire Order

How to Order: Select matching Melamine finished ends on the standard order form. This only applies to finishes that have a matching Melamine option. (Refer to finish availability pages).

How to Price: Add 5% to the entire order

Matching Interior/Exterior

CABINETS WITH DOORS

	Melamine Interior & Exterior Specify MM	Veneer Interior & Exterior Specify MV	Veneer w/ Beaded Back Interior & Exterior Specify BB*	Acrylic Interior & Exterior Specify MA
Wall, Base, Vanity, Hanging Vanity				
21" wide and under	+\$119 per cab.	+\$270 per cab.	+\$297 per cab.	+\$270 per cab.
24" - 42" wide	+\$179 per cab.	+\$406 per cab.	+\$446 per cab.	+\$406 per cab.
Over 45" wide	+\$238 per cab.	+\$541 per cab.	+\$595 per cab.	+\$541 per cab.
Tall, Vanity Tall				
21" wide and under	+\$238 per cab.	+\$541 per cab.	+\$595 per cab.	+\$541 per cab.
24" wide and over	+\$357 per cab.	+\$811 per cab.	+\$892 per cab.	+\$811 per cab.

- Upgrade option automatically finishes the interior and exterior of cabinet to match.

*Wall, base, or tall cabinets can be built with an inside 3/16" beaded back. This modification is only available with wood door styles.

Order: Add code to the end of cabinet code.

Cabinets Without Doors (Open Shelf Units)

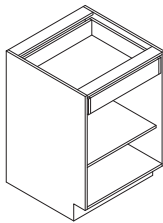
	White Melamine Interior & Exterior Specify OS	Matching Melamine Interior & Exterior Specify OSMM	Veneer Interior & Exterior Specify OSMV	Acrylic Interior & Exterior Specify OSMA
Wall	\$433 per cab.	\$612 per cab.	\$782 per cab.	\$782 per cab.
Base, Vanity, Hanging Vanity	\$649 per cab.	\$827 per cab.	\$998 per cab.	\$998 per cab.
Tall	\$1,298 per cab.	\$1,536 per cab.	\$1,763 per cab.	\$1,763 per cab.

- Cabinets come with shelf holes but without doors, drawer/false fronts, drawer boxes, hinge drilling, center stiles, fillers and microwave shelves. Does not include any accessories such as SOTs or waste bins. All construction holes are removed. If these components are needed, see carcass only option below.

Order: Add code to the cabinet code. i.e. B15FHOSMM (base 15 full height open shelf only with matching Melamine interior/exterior).

When ordering base and vanity open shelf units, order them as full height which eliminates any drawer boxes and drawer glides.

Carcass Only (CAR)



- All drawer fronts and doors removed. Everything else that would normally come with the cabinet are included. i.e. drawer box, glides, shelf etc.
- Typically ordered when only a replacement cabinet is needed; doors and drawers are in good condition and can be reused.
- If drawer front is needed, order separately and install on site.

Price: Use the price of the cabinet in the price point of the order, minus 15%. If there are no other cabinets with doors/drawer fronts on the order, use price point #4, minus 15%.

Order: Add CAR to the cabinet code. i.e. B15CAR (base 15 carcass only).

Drawer and Slide Out Tray Options (SOT)

Pricing:

Drawer Boxes	White	Natural	Plywood	Scooped
SWS		\$52		
DWS	\$135	\$140	\$140	
Dovetail	\$216	\$216	\$216	\$563

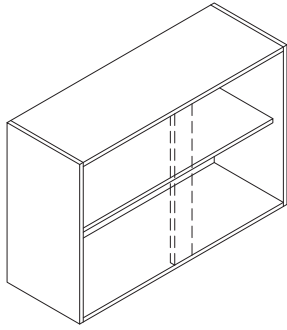
Slide Out Tray Addition to Cabinet	White	Natural	Plywood
SWS	\$108	\$160	
DWS	\$162	\$173	\$173
Dovetail	\$243	\$243	\$243

Slide Out Trays Upgrade	White	Natural	Plywood
SWS		\$52	\$52
DWS	\$54	\$65	\$65
Dovetail	\$135	\$135	\$135

Drawer Box/SOT	Interior	Design Considerations	How to Order - Select:
SWS	White	Applies to ALL door styles	White Melamine interior, single wall steel
SWS	Natural	Applies to ALL door styles	Natural Melamine interior, single wall steel
DWS	White	Applies to ALL door styles, slides are soft close, full extension	White Melamine interior, double wall steel
DWS	Natural/Plywood	Applies to WOOD door styles only, slides are soft close, full extension	Natural Melamine interior, double wall steel
Dovetail	White	Applies to ALL door styles, slides are soft close, full extension	White Melamine interior, wood drawer box
Dovetail	Natural/Plywood	Applies to WOOD door styles only, slides are soft close, full extension	Natural Melamine interior, wood drawer box
SOT	All interiors	Add the term "SOT" to end of SKU followed by quantity requested	i.e. T242484LSOT3 - comes with 3 SOT's
Scooped	Natural/Plywood	Applies to WOOD door styles only, slides are soft close, full extension	Natural Melamine interior, wood drawer box

Note: SOTs will receive the same drawer box as selected on the order with the appropriate upcharge. Natural and Plywood interiors are only available with wood door styles. All drawers have a 66 lb load capacity.

Remove Center Stile (RCS)

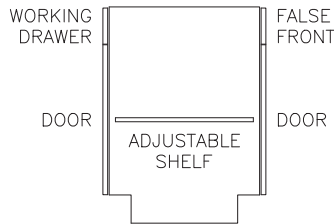


- Available on walls starting at 33"
- Available on base, vanity, and tall units starting at 36"
- **Structural warranty is void when this modification is made**
- 2.6" wide center stiles are provided for additional support
- In tall units, all stiles are removed

Order: Add RCS after cabinet code. i.e. W3036RCS

Price: Available on wall, base/vanity, and tall at no upcharge

Dual Access Cabinets



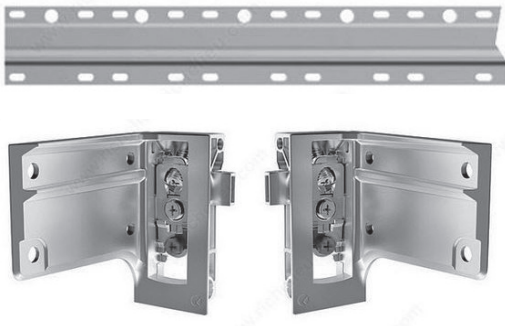
Typical dual access base vanity unit

Wall, Base, Vanity	Specify DA
21" wide and under	=+\$270 per cab.
24" – 42" wide	=+\$406 per cab.
Over 45" wide	=+\$541 per cab.

- Base and vanity cabinets may require shelf for support and structural integrity.
- Custom Pricing Request Form must be submitted for cabinets other than standard wall, base, and vanity for this application.

Order: Add DA to the cabinet code. i.e. W3030DA (Wall 3030 with dual access)

Option for Hanging Vanity Hardware



Libra H2 Hanging Brackets (HVHS)

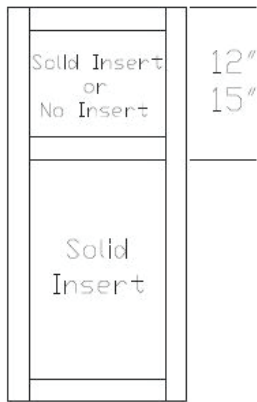
- An option used for installing a Hanging Vanity Cabinet
- Package includes 1 hanging bar cut to required length and 2 Libra H7 brackets with necessary mounting screws
- Hardware is installed only
- Note: when this hardware is used, the top drawer box(es) will be reduced in depth to allow for the installation of the hanging hardware
- Order: include width after the code HVHS
- Price: \$630 per cabinet

No Insert (NI) and Mullion (MU) Doors

Order: No Insert door, add NI to the code i.e. W2430NI
Mullion door, add MU to the code i.e. W2430MU

Price: NI = no charge
MU - see page D.45

Dual Insert Doors 42" High Units - Single Carcase Stacked Uppers

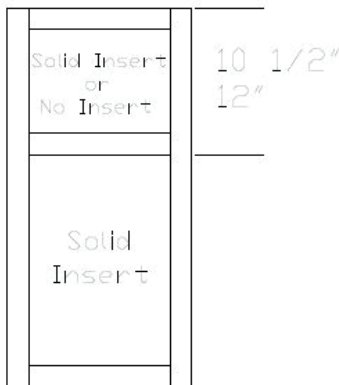


- DI = solid insert top section and solid insert bottom section
- DINI = no insert top section and solid insert bottom section
- For 42" high, wall units only
- The top frame with outside dimension will either be 12" or 15" high
- There will be a fixed shelf behind each cross-member
- Not available in mitered corner door styles (only available in mortise & tenon wood door styles)
- Is available in all wood door styles, except Highland, Canongate, Metro, and mitered door styles

Order: Add DI or DINI to the door(s) plus the size to the cabinet code. i.e. W1242DI12(NI)

Price: \$108.00 per door

Dual Insert Doors 36", 38" & 40½" High Units - Single Carcase Stacked Uppers



- DI = solid insert top section and solid insert bottom section
- DINI = no insert top section and solid insert bottom section
- For 36", 38", & 40½" high, wall units only
- The top frame with outside dimension will either be 10½" or 12" high
- There will be a fixed shelf behind each cross-member
- Not available in mitered corner door styles (only available in mortise & tenon wood door styles)
- Is available in all wood door styles, except Highland, Canongate, Metro, and mitered door styles

Order: Add DI or DINI to the door(s) plus the size to the cabinet code. i.e. W1240.5DI12(NI)

Price: \$108.00 per door

Door & No Insert Door Size Chart

WIDTH	(IMP) (METRIC)	5 7/8"	8"	8 9/32"	8 21/32"	8 27/32"	10 13/32"	10 31/32"	11 3/8"	11 1/2"	11 7/8"	12 1/4"
		149	203	210	220	225	264	279	289	292	302	311
HEIGHT												
(IMP)	(METRIC)											
10 7/16"	265											STD(SC)
11 7/8"	302											STD(SC)
13 7/16"	341											
14 29/32"	379											STD(SC) STD(SC)
17 29/32"	455											STD(SC) STD(SC)
20 29/32"	531											STD(SC) STD(SC)
23 15/16"	608		BCC			STD(S)	STD(SC)	BCC		STD(S)	STD(SC)	STD(SC)
26 15/16"	684											STD(SC) STD(SC)
29 29/32"	760	STD(S)	BCC	WCC	STD(SC)	STD(SC)	STD(SC)	BCC	WCC	STD(S)	STD(SC)	STD(SC)
31 11/32"	796											STD(S) STD(S)
31 27/32"	809											STD(S) STD(S)
32 7/8"	835	STD(S)	BCC	WCC	STD(SC)	STD(SC)	STD(SC)	BCC	WCC	STD(S)	STD(SC)	STD(SC)
33 3/8"	848											STD(S) STD(S)
35 29/32"	912	STD(S)			STD(SC)	STD(SC)	STD(SC)		WCC		STD(SC)	STD(SC)
37 29/32"	963	STD(S)	BCC	WSS	STD(SC)	STD(SC)	STD(SC)	BCC	WCC	STD(S)	STD(SC)	STD(SC)
40 7/16"	1027	STD(S)			STD(SC)	STD(SC)	STD(SC)		WCC		STD(SC)	STD(SC)
41 15/16"	1065	STD(S)	STD(S)	STD(S)	STD(S)	STD(S)	STD(S)	STD(S)	STD(S)	STD(S)	STD(SC)	STD(SC)
47 29/32"	1217											STD(SC)
52 7/16"	1332											STD(SC)

Door Chart Abbreviations:

- STD(S) - Standard Square Door
- STD (SC) - Standard Square & Arched Door
- WCC/BCC - Corner Cabinet Door

Any door/drawer front size not listed will be custom and will have a custom upcharge

Drawer Front Size

WIDTH	(IMP) (METRIC)	5 29/32"	7 3/8"	8"	8 27/32"	10 13/32"	10 31/32"	11 1/2"	11 7/8"	13 3/8"	13 31/32"	14 7/8"
		150	187	203	225	264	279	292	302	340	355	378
HEIGHT												
(IMP)	(METRIC)											
3 29/32"	99										STD	STD
5 29/32"	150	STD	STD	BCC	STD	STD	BCC	STD	STD	STD	BCC	STD
8 27/32"	225								STD	STD		STD
10 13/32"	264				STD				STD	STD		STD
11 27/32"	301				STD				STD	STD		STD
13 3/8"	340											STD

Door & No Insert Door Size Chart

13 3/8" 340	13 31/32" 355	14 7/8" 378	15 11/32" 390	15 7/8" 403	16 3/8" 416	16 7/8" 429	17 7/8" 454	18 3/8" 467	19 3/8" 492	20 1/32" 509	20 7/8" 530	23 29/32" 608
STD(SC)		STD(SC)			STD(SC)		STD(SC)		STD(SC)		STD(SC)	
STD(SC)		STD(SC)			STD(SC)		STD(SC)		STD(SC)		STD(SC)	
		STD(SC)			STD(SC)	STD(SC)	STD(SC)	STD(SC)				
STD(SC)		STD(SC)			STD(SC)	STD(SC)	STD(SC)	STD(SC)	STD(SC)		STD(SC)	
STD(SC)		STD(SC)	STD(SC)		STD(SC)	STD(SC)	STD(SC)	STD(SC)	STD(SC)		STD(SC)	STD(SC)
STD(SC)		STD(SC)		STD(S)	STD(SC)	STD(SC)	STD(SC)	STD(SC)	STD(SC)		STD(SC)	STD(SC)
STD(SC)	BCC	STD(SC)		STD(SC)	STD(SC)	STD(SC)	STD(SC)	STD(SC)	STD(SC)	STD(SC)	STD(SC)	STD(SC)
STD(SC)		STD(SC)			STD(SC)		STD(S)		STD(S)		STD(S)	STD(S)
STD(SC)		STD(SC)			STD(SC)		STD(S)		STD(S)		STD(S)	STD(S)
STD(S)		STD(S)			STD(S)		STD(S)				STD(S)	STD(S)
STD(S)		STD(S)			STD(S)		STD(S)				STD(S)	STD(S)
STD(SC)	BCC	STD(SC)		STD(SC)	STD(SC)	STD(SC)	STD(SC)	STD(SC)	STD(SC)	STD(SC)	STD(SC)	STD(SC)
STD(S)		STD(S)			STD(S)		STD(S)				STD(S)	STD(S)
STD(SC)		STD(SC)		STD(SC)	STD(SC)		STD(SC)		STD(SC)		STD(SC)	STD(SC)
STD(SC)	BCC	STD(SC)	STD(SC)	STD(SC)	STD(SC)	STD(SC)	STD(SC)	STD(SC)	STD(SC)	STD(SC)	STD(SC)	STD(SC)
STD(SC)		STD(SC)		STD(SC)	STD(SC)		STD(SC)		STD(SC)		STD(SC)	STD(SC)
STD(SC)	STD(SC)	STD(SC)	STD(SC)	STD(SC)	STD(SC)	STD(SC)	STD(SC)	STD(SC)	STD(SC)	STD(SC)	STD(SC)	STD(SC)
		STD(SC)					STD(SC)				STD(SC)	
		STD(SC)					STD(SC)				STD(SC)	

Door Chart Abbreviations

STD(S) - Standard Square Door

STD (SC) - Standard Square & Arched Door

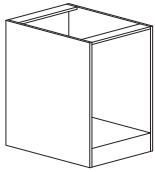
WCC/BCC - Corner Cabinet Door

Any door/drawer front size not listed will be custom and will have a custom upcharge

Drawer Front Size

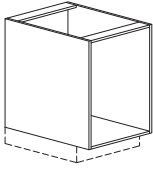
15 7/8" 403	16 3/8" 416	17 7/8" 454	19 3/8" 492	20 1/32" 509	20 7/8" 530	23 29/32" 608	24 13/32" 620	26 7/8" 683	29 7/8" 759	32 7/8" 835	35 7/8" 911
	STD	STD				STD		STD	STD		STD
STD	STD	STD	STD	STD	STD	STD	STD	STD	STD	STD	STD
	STD	STD	STD		STD	STD		STD	STD	STD	
	STD	STD	STD		STD	STD		STD	STD		
	STD	STD	STD		STD	STD		STD	STD	STD	STD
		STD			STD						

Toe Kick Options



FTK / FFTK

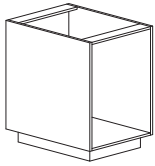
Integrated Toe Kick



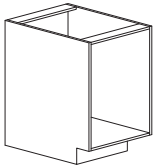
NTK

No Toe Kick

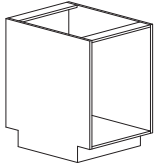
Finished Flush, Flush, or No Toe Kick	Specify	Price
Flush Toe Kick	FTK	n/c
No Toe Kick	NTK	n/c
Finished Flush Toe Kick	FFTK	\$75



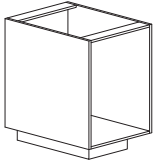
TSKL



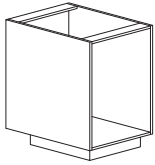
TSKR



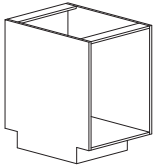
TSKB



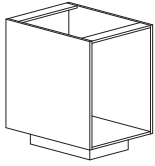
TSKLR



TSKLB



TSKRB

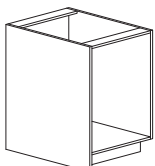


TSKLRB

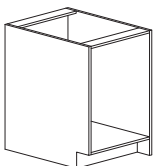
Toe Kick comes separately for on-site installation

Recessed Toe Kick	Specify	Price (includes toe kick)
Toe Space Kick Left	TSKL	+\$142
Toe Space Kick Right	TSKR	+\$142
Toe Space Kick Back	TSKB	+\$142
Toe Space Kick Left & Right	TSKLR	+\$286
Toe Space Kick Back & Left	TSKLB	+\$286
Toe Space Kick Back & Right	TSKRB	+\$286
Toe Space Kick Back, Left & Right	TSKLRB	+\$428

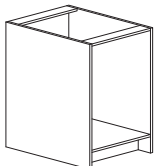
- Add TSK to the end of the cabinet code i.e. T242484TSKR
- Any cabinet can be ordered with a recessed toe kick space on the cabinet ends or back
- Flush toe kick (FTK) and cabinets with no toe kick (NTK) can be ordered with no upcharge
- **Unfinished Toe Kick will ship separately when these options are used**



NNTKL



NNTKR



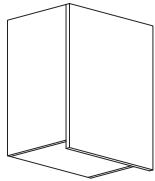
NNTKB

Integrated Toe Kick

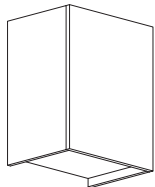
No Notch Toe Kick	Specify	Price (includes toe kick)
No Notch Kick Left	NNTKL	+\$142
No Notch Kick Right	NNTKR	+\$142
No Notch Kick Left & Right	NNTKB	+\$284

- Add code to the end of the cabinet code. i.e. T242484NNTKL (Tall 242484 no notch toe kick left)
- Any cabinet can be ordered with a no notch toe space on the cabinet ends
- **Unfinished toe kicks will ship separately when these options are used**

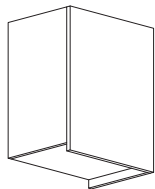
Recessed Cabinet/Door Overhang



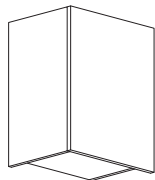
RDO-RC



RDO-RB



RDO-RBL



RDO-RBR

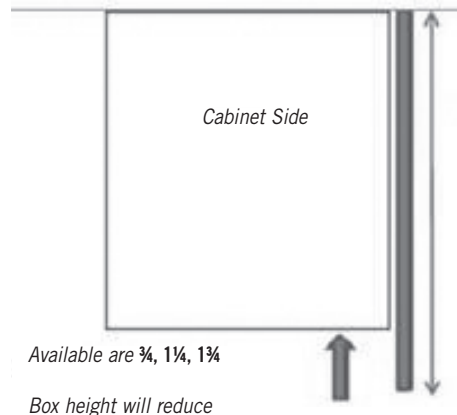
Overhang	Specify	Overhang Options			Price
		0.75"	1.25"	1.75"	
Recessed Cabinet	RC	0.75"	1.25"	1.75"	+\$104 per cabinet
Recessed Bottom	RB	0.75"	1.25"	1.75"	+\$104 per cabinet
Recessed Bottom & Left Side	RBL	0.75"	1.25"	1.75"	+\$104 per cabinet
Recessed Bottom & Right Side	RBR	0.75"	1.25"	1.75"	+\$104 per cabinet

- Cabinet box height will reduce, door height will NOT change.
- For carcass only, use the price of the cabinet in the price point of the order, less 15% and add \$104 for the cabinet recessing.
- If there are no other cabinets with doors/drawer front on order, then use price point 4, less 15% and add \$104 for the cabinet recessing. i.e. W3027CARRB1.75

Order: Add code to cabinet code. i.e. W3027RB1.75 (wall 3027, recessed bottom with 1.75" overhang).

The following products are available with Door Overhang Option:

- | | |
|-----------------------------------|-----------------------|
| Angle Wall | Wall - 24" Deep |
| Angle Wall Inside Junction | Wall - 3 Door |
| Angle Wall Outside Junction | Wall - Dual Insert |
| Angle Wall Stacked | Wall End |
| Diagonal Wall End | Wall End Double Entry |
| Square Corner Wall | Wall Flip Up |
| Square Corner Wall - Center Hinge | Wall Lift Up |
| Wall | Wall Stacked |
| Wall Blind | Wall Triangle |
| Wall Corner | |



- SKU's marked with *DO are eligible for this option. See Door Overhang Modification Form for details.
- Cabinet height matches door height
- Door heights will NOT change
- **Please be aware if your customer wants the short or long side finished**

Price: Add \$140.00 per cabinet

Carcass Only (CAR)

- Cabinets come without doors, drawer fronts or false fronts, drawer boxes, hinge drilling, centre stiles, and fillers or microwave shelves. Does not include any accessories such as SOT's or waste bins.
- If there are no other cabinets with doors/drawer fronts on the order, then use price point #4 - 15% and then add \$104.00 for the cabinet recessing.

Price: Use the price of the cabinet in the price point of the order - 15% and then add \$104.00 for the cabinet recessing

Order: Add the code to the cabinet code i.e. W3027CARB1.75

Floating Shelves

Wood Veneer (VFS), Melamine (MFS), and Acrylic (AFS) Floating Shelves

Product Description:

- Shelves are available in wood, Melamine, and Acrylic.
- **The top and bottom will be finished as well as the front and indicated sides.** Please refer to the Floating Shelves Order Form.
- Veneer floating shelves are only available in Yorkshire or Highland profiles and will not match other door styles.

Design Considerations:

- Floating shelves are designed to be attached to a wall with a field supplied cleat 1-3/4" in height and the width of the shelf less 1 1/2". Cleat can be up to 3" deep.
- Based on the size of the shelf, special consideration should be made to support the shelf with additional brackets. The manufacturer is not responsible for the security of floating shelves.
- Minimum width is 6" and the maximum width is 96"
- Minimum depth is 6" and the maximum depth is 24"
- Minimum height is 1.25" and the maximum height is 6"
- No cleating or support material will be supplied with the shelf.
- It is the responsibility of the customer to ensure the product is installed correctly and securely for its intended use.

How to Order: VFS60312.75 - this a 60" wide shelf that is 3" high and 12.75" deep.

All orders must be submitted on the Floating Shelves Order Form.

How to Price: \$1.30 per square inch (\$2.08 per sq inch for Walnut shelves). Round all sizes up to next inch. Example: 60" wide x 12.75" deep, would be 60" wide x 13" deep = 780 sq inches x \$1.30 = \$1,014 list. Pricing does not include cutouts or any other modifications.

Note: If all 4 edges are finished, the price per square inch will be \$1.54 per square inch (\$2.32 per sq inch for Walnut shelves).

Customization

Custom Sizes	M.14
Accessory Customization.....	M.15
Custom Parts	M.15
Customer Supplied Parts for Finishing	M.15

Custom Sizes

CUSTOMIZATION

CUSTOM DEPTH CABINETS					
Unit	Minimum Depth	Maximum Depth	Price	Notes	
Wall (with drawers/SOTs)	12 5/8"	24"	+\$233 per cab.	No custom depth charge for 11 3/4" deep walls. Custom depth wall angular, wall lift ups and flip ups, microwave units, wall corner corners, wall junctions, wall triangles, wall ends, wall end double entry, wall pocket doors, appliance garages, and wall open ends must be submitted for custom pricing on a Custom Pricing Request Form.	
Wall (no drawers/SOTs)	6"	30"			
Base, Vanity & Hanging Vanity (with drawers/SOTs)	12 5/8"	24"	+\$260 per cab.	No custom depth charge for 16" and 18" deep vanities. All custom depth base units with accessories, base corner corners, base angulars, base ends, wine racks, base triangles, base end angulars, base outside junctions, base inside junctions, and open base ends must be submitted for custom pricing on a Custom Pricing Request Form or Corner Cabinet CSPEC Modification Form.	
Base, Vanity & Hanging Vanity (no drawers/SOTs)	12 5/8"	30"			
Full Height Base, Vanity & Hanging Vanity (with drawers/SOTs)	n/a	n/a			
Full Height Base, Vanity & Hanging Vanity (no drawers/SOTs)	6"	30"			
Tall (with drawers/SOTs)	12 5/8"	24"	+\$314 per cab.	Use 24" pricing. No custom depth charge for 18" deep tall. All custom depth tall units with accessories, tall end triangles, tall ends, and tall furniture must be submitted for custom pricing on a Custom Pricing Request Form.	
Tall (no drawers/SOTs)	6"	30"			

•• If cabinet has drawers/SOTs, standard glides and box components will be used and may not use the full depth of the cabinet.

CUSTOM WIDTH CABINETS					
Unit	Minimum Width	Maximum Width	With Doors Price	Without Doors Price	Notes
Wall (with drawers/SOTs)	6"	39"	+\$52 per door	+\$104 per cab.	Start with cabinet size above and add width to change product code. (i.e. B17.5 use B18 base pricing).
Wall (no drawers/SOTs)	6"	48"			
Base, Vanity & Hanging Vanity (with drawers/SOTs)	9"	39"			
Base, Vanity & Hanging Vanity (no drawers/SOTs)	6"	48"			
Tall (with drawers/SOTs)	9"	39"	+\$208 per cab.		Start with cabinet size above and add width to change product code. (i.e. T322484 use T332484 base pricing).
Tall (no drawers/SOTs)	6"	36"			

CUSTOM HEIGHT CABINETS					
Unit	Minimum Height	Maximum Height	With Doors Price	Without Doors Price	Notes
Wall (with drawers/SOTs)					Submit Special Quote Form
Wall (no drawers/SOTs)	10 1/2"	42"	+\$52 per door	+\$104 per cab.	<ul style="list-style-type: none"> Start with cabinet size above and add height to change product code i.e. W3329 use W3330 price and add upcharge. Height adjustments will be done by adjusting the door height only. Height modifications to wall drawer, microwave units, wall storage drawer, appliance garages, wall open fret, wall angular with lazy susan, wall lift up and flip up, wall furniture, and desk letter units must be submitted on a Custom Pricing Request Form.
Base, Vanity, Hanging Vanity & Desk (with drawers/SOTs)					Submit Special Quote Form
Base, Vanity & Desk (no drawers/SOTs)	29 1/8"	34 5/8"	+\$52 per door	+\$104 per cab.	<ul style="list-style-type: none"> Start with cabinet size above and add height to change product code i.e. B3340.5 use B33 price and add upcharge. Height adjustments will be done by adjusting the door height only; drawer front heights will not change. Height modifications to any drawer bank units, any unit with an accessory, microwave units, wine rack units, and sink units with drawer banks must be submitted on a Custom Pricing Request Form.
Hanging Vanity (no drawers/SOTs)	18 1/8"	30"	+\$52 per door	+\$104 per cab.	
Tall (with opening/drawers/SOTs)					Submit Special Quote Form
Tall (no drawers/SOTs)	82 1/2"	96 1/2"	+\$52 per door	+\$208 per cab.	<ul style="list-style-type: none"> Start with cabinet size above and add height to change product code i.e. T302485, use T302486 and add upcharge. Height adjustment will be made to middle door height only. If the tall unit has a filler, then the filler will be adjusted. Top and bottom doors and drawer front heights will not change. Height adjustments made outside of the filler or middle door must be submitted on a Custom Pricing Request Form.

Accessory Customization

All custom accessories are available in ¼" increments and follow the minimum/maximum guidelines listed below:

Fillers	Wood		Veneer		Melamine & Acrylic		Themofoil		Echo Wood & Acrylic	
	Minimum	Maximum	Minimum	Maximum	Minimum	Maximum	Minimum	Maximum	Minimum	Maximum
Width +\$26	1.25"	6"	1.25"	6"	1.25"	6"	1.5"	6"	1.25"	6"
Height +\$26	10.5"	120"	10.5"	109.5"	10.5"	96.5**	10.5"	96**	10.5"	96"

Design Considerations: custom fluted fillers and beaded fillers must be submitted on a Custom Pricing Request form

How to Order: For example, 4 ½" x 92" fill, use code F4.592

Price: Use next size up. For example, F696, add \$26 if modifying 1 dimension, add \$52 if modifying both

Columns	Depth		Height		Width		Add to Retail Price per Modification
	Minimum	Maximum	Minimum	Maximum	Minimum	Maximum	
Wall: 27" to 58.5"	9"	15"	10.5"	58.5"	1.25"	6"	\$52
Vanity, Desk and Base	12"	25"	29 .125"	35"	1.25"	6"	
Tall	12"	30"	82"	96.5"	1.25"	6"	

How to Order: Modify the panel or column code. For example, WPCL 3x33x24DP, or BBFTK 3x35x30DP

Price: Use next size up. For example, WPCL3x33x14, use WPCL333 price and add \$52

Panels	Depth		Height		Add to Retail Price per Modification
	Minimum	Maximum	Minimum	Maximum	
Wall: 27" to 58.5"	9"	24"	10.5"	58.5"	\$26
Vanity, Desk and Base	12"	24"	29.125"	48"	
Tall	12"	30"	82"	96.5"	

How to Order/Price: Need FHS2196, use FHS2596 and add \$26

*Horizontal grain fillers are only available up to 48" high

Custom Parts

How to Order: Modify the panel or column code. For example: modified product code - WPCL 3 x 33 x 24DP, BBFTK 3 x 35 x 30DP

Design Considerations: All panels and columns over the maximum depth list must be submitted for custom pricing on a Custom Pricing Request form. Maximum height for a column is 96.5"

How to Price: Use next size up for pricing. For example: require a WPCL 3 x 33 x 14, use WPCL33315 pricing and add the upcharge

Customer Supplied Parts for Finishing

Customer supplied parts can be finished at our discretion. The customer should submit parts with the order indicating their size (length x width). Urban Effects Cabinetry does not assume liability for any parts that are received damaged.

Order: SKU is "Cust Supp Part"

Price: Length x Width + \$520.00

Door Styles

Door Style/Finish Availability Charts	D.2-9
Maple.....	D.2
Red Oak.....	D.3
Cherry.....	D.4
Rustic Alder	D.5
Walnut	D.5
Rift Oak	D.6
HDF	D.7
Melamine	D.8
PureStyle.....	D.8
Thermofoil.....	D.9
Acrylic.....	D.9
Echo Wood and Bamboo.....	D.9
Door Styles.....	D.10-30
Foil Wrapped No Insert - ANI	D.31
Aluminum Anodized Natural - No Insert - ALM.....	D.31
Aluminum Brushed Stainless Steel - No Insert - ALU	D.32
Aluminum Door Program.....	D.34-36
Door, Drawer Front, and False Fronts.....	D.37-38
Mullion Doors.....	D.39
Door and No Insert Door Size Chart.....	D.40-41
Grain Direction	D.42

Door Style/Color Availability

Wood Door Style

Maple

Maple	Stain Finishes										Paint Finishes +10%										Brush Stroke +15%											
	Cape Cod	Caramel	Chocolate	Flint	French Roast	Hazelnut	Husk	Java	Natural	Sand	Smoke	Slate	Storm	Weatherstone	Agreeable Grey	Artistic White	Black Bean	Bright White	Brizo Blue	Cloud White	Evening Grey	Fawn	Graphite	Mission White	Oyster	Peppercorn	Linen	Meadowood	Mountain Haze	Mystic Grey	Silver Fox	
Glaze Options	Glaze +10%										Glaze +15%																					
Coffee																																
Midnight																																
Onyx																																
Pewter																																
Door Styles																																
Albany				◇					◇		◇	◇															○	○	○	○	○	
Broadmoor				◇					◇		◇	◇																○	○	○	○	○
Chestermere				◇					◇		◇	◇																○	○	○	○	○
Collingwood				◇					◇		◇	◇																○	○	○	○	○
Elmhurst				◇					◇		◇	◇																○	○	○	○	○
Foxfire				◇					◇		◇	◇																○	○	○	○	○
Glendale				◇					◇		◇	◇																○	○	○	○	○
Glendale Arch				◇					◇		◇	◇																○	○	○	○	○
Heritage				◇					◇		◇	◇																○	○	○	○	○
Hilton				◇					◇		◇	◇																○	○	○	○	○
Kingswood				◇					◇		◇	◇																○	○	○	○	○
Legacy				◇					◇		◇	◇																○	○	○	○	○
Pioneer				◇					◇		◇	◇																○	○	○	○	○
Richmond				◇					◇		◇	◇																○	○	○	○	○
Saddlebrook				◇					◇		◇	◇																○	○	○	○	○
Scotswood				◇					◇		◇	◇																○	○	○	○	○
Sussex				◇					◇		◇	◇																○	○	○	○	○
Shaker and Slab Door Styles - Not Available with Glaze																																
Canongate	○	○	○	◇○	○	○	○	○	◇○	○	◇○	◇○	○	○	○	○	○	○	○	○	○	○	○	○	○	○	○					
Dayton				◇					◇		◇	◇																○	○	○	○	○
Harbour				◇					◇		◇	◇																○	○	○	○	○
Ironshore				◇					◇		◇	◇																○	○	○	○	○
Metro	○	○	○	◇○	○	○	○	○	◇○	○	◇○	◇○	○	○	○	○	○	○	○	○	○	○	○	○	○	○	○	○	○	○	○	○
Muirfield				◇					◇		◇	◇																○	○	○	○	○
Oxfordshire				◇					◇		◇	◇																○	○	○	○	○
Redan				◇					◇		◇	◇																○	○	○	○	○
St. Charles				◇					◇		◇	◇																○	○	○	○	○
Yorkshire				◇					◇		◇	◇																○	○	○	○	○

LEGEND

- Finish Available
- Finish Unavailable
- ◇ Available with matching melamine finished ends
- Not available with Glaze

Notes:

- Available with Veneer finished ends option only, unless noted with ◇
- Paint and Brush Stroke finishes require a Paint Finish Awareness Statement, with the exception of Mystic Grey as it is a stained finish
- White Melamine interior will be standard
- Also available with Veneer finished ends
- Painted and Brush Stroke finishes require a Wood Finish Awareness Statement

Door Style/Color Availability

Wood Door Style

Stain Finishes

Paint Finishes +10%

Red Oak

Caramel Chocolate Flint French Roast Hazelnut Husk Java Natural Prairie Sand Slate Smoke Storm Weatherstone Agreeable Grey Artistic White Black Bean Bright White Brizo Blue Cloud White Evening Grey Fawn Graphite Mission White Oyster Peppercorn

Glaze Options	Glaze +10%																					
Coffee																						
Midnight																						
Onyx																						
Door Styles																						
Albany			◇																			
Broadmoor			◇																			
Chestermere			◇																			
Collingwood			◇																			
Elmhurst			◇																			
Foxfire			◇																			
Glendale			◇																			
Glendale Arch			◇																			
Heritage			◇																			
Hilton			◇																			
Kingswood			◇																			
Legacy			◇																			
Pioneer			◇																			
Richmond			◇																			
Saddlebrook			◇																			
Scotswood			◇																			
Sussex			◇																			
Shaker and Slab Door Styles																						
Canongate	○	○	◇○	○	○	○	○	○	○	○	○	○	○	○	○	○	○	○	○	○	○	○
Dayton			◇																			
Harbour			◇																			
Ironshore			◇																			
Metro	○	○	◇○	○	○	○	○	○	○	○	○	○	○	○	○	○	○	○	○	○	○	○
Muirfield			◇																			
Oxfordshire			◇																			
Redan			◇																			
St. Charles			◇																			
Yorkshire			◇																			

LEGEND

- Finish Available □ Finish Unavailable
- ◇ Available with matching Melamine finished ends
- Not available with Glaze

Notes:

- Available with Veneer finished ends option only, unless noted with ◇
- Paint finishes require a Paint Finish Awareness Statement
- White Melamine interior will be standard
- Also available with Veneer finished ends
- Glaze finishes are applied to the front of all profiled painted surfaces
- Glaze finishes are available with Veneer finished ends only

Door Style/Color Availability

Wood Door Style

Stain Finishes

Cherry

Caramel
Chocolate
French Roast
Hazelnut
Husk
Java
Natural
Prairie
Sand
Storm

Glaze Options	Glaze +10%									
Coffee										
Midnight										
Onyx										
Door Styles										
Albany	◇									
Broadmoor	◇									
Chestermere	◇									
Collingwood	◇									
Elmhurst	◇									
Foxfire	◇									
Glendale	◇									
Glendale Arch	◇									
Heritage	◇									
Hilton	◇									
Kingswood	◇									
Legacy	◇									
Pioneer	◇									
Richmond	◇									
Saddlebrook	◇									
Scotswood	◇									
Sussex	◇									
Slab Door Styles										
Canongate	◇○	○	○	○	○	○	○	○	○	○
Dayton	◇									
Harbour	◇									
Ironshore	◇									
Metro	◇○	○	○	○	○	○	○	○	○	○
Muirfield	◇									
Oxfordshire	◇									
Redan	◇									
St. Charles	◇									
Yorkshire	◇									

LEGEND

- Finish Available □ Finish Unavailable
- ◇ Available with matching Melamine finished ends
- Not available with Glaze

Notes:

- Available with Veneer finished ends option only, unless noted with ◇
- Glaze will be applied to the front of all profiled painted surfaces
- Glaze finishes are available with Veneer finished ends only
- White Melamine interior will be standard

DOOR STYLES

Wood Door Style

Rustic Alder

Stain Finishes
 Caramel
 Chocolate
 French Roast
 Hazelnut
 Husk
 Natural
 Prairie
 Sand
 Storm

Glaze Options	Glaze +10%									
Coffee										
Midnight										
Onyx										
Door Styles										
Albany										
Broadmoor										
Chestermere										
Collingwood										
Foxfire										
Glendale										
Glendale Arch										
Heritage										
Hilton										
Kingswood										
Legacy										
Pioneer										
Richmond										
Saddlebrook										
Scotswood										
Sussex										
Shaker and Slab Door Styles										
Canongate	○	○	○	○	○	○	○	○	○	○
Dayton										
Harbour										
Ironshore										
Muirfield										
Oxfordshire										
Redan										
St. Charles										
Yorkshire										

Walnut

Stain Finishes
 Natural
 Husk

Door Styles	Natural	Husk
Albany		
Broadmoor		
Chestermere		
Elmhurst		
Foxfire		
Glendale		
Kingswood		
Muirfield		
Oxfordshire		
Pioneer		
Saddlebrook		
Sussex		
Shaker and Slab Door		
Harbour		
Ironshore		
St. Charles		
Yorkshire		

LEGEND

■ Finish Available □ Finish Unavailable

Notes:

- Available with Veneer finished ends option only
- Walnut produces a greater variety of graining and colors; therefore, the look from part to part and kitchen to kitchen can vary greatly. Please ensure your customer is aware of these characteristics when selling the product.
- White Melamine interior will be standard

LEGEND

■ Finish Available □ Finish Unavailable

○ Not available with Glaze

Notes:

- Available with Veneer finished ends option only
- Glaze will be applied to the front of all profiled painted surfaces
- Glaze finishes are available with Veneer finish ends only
- White Melamine interior will be standard

Wood Door Style

Stain Finishes

Paint Finishes +10%

Rift Oak

Caramel Chocolate Flint French Roast Hazelnut Husk Java Natural Prairie Sand Slate Smoke Storm Weatherstone Agreeable Grey Artistic White Black Bean Bright White Brizo Blue Cloud White Evening Grey Fawn Graphite Mission White Oyster Peppercorn

Glaze Options	Glaze +10%																			
Coffee																				
Midnight																				
Onyx																				
Door Styles																				
Albany																				
Elmhurst																				
Kingswood																				
Richmond																				
Saddlebrook																				
Sussex																				
Shaker and Slab Door Styles																				
Dayton																				
Harbour																				
Ironshore																				
Metro																				
Redan																				
St. Charles																				
Yorkshire																				

LEGEND

■ Finish Available □ Finish Unavailable

Notes:

- Standard (stain) finishes are available with Veneer finished ends only
- Glaze will be applied to the front of all profiled painted surfaces
- Glaze finishes are available with Veneer finished ends only
- Glaze finishes are not available on slab door styles
- Paint finishes are available with Veneer finished ends only and require a Wood Finish Awareness Statement
- White Melamine interior will be standard

Door Style/Color Availability

HDF	Paint Finishes +10%												Brush Stroke +15%				
	Agreeable Grey	Artistic White	Black Bean	Bright White	Brizo Blue	Cloud White	Evening Grey	Fawn	Graphite	Mission White	Oyster	Peppercorn	Linen	Meadowood	Mountain Haze	Silver Fox	
Glaze Options	Glaze +15%																
Coffee																	
Midnight																	
Onyx																	
Pewter																	
Door Styles																	
Albany														o	o	o	o
Broadmoor														o	o	o	o
Chestermere														o	o	o	o
Collingwood														o	o	o	o
Elmhurst														o	o	o	o
Foxfire														o	o	o	o
Glendale														o	o	o	o
Heritage														o	o	o	o
Hilton														o	o	o	o
Kingswood														o	o	o	o
Legacy														o	o	o	o
Pioneer														o	o	o	o
Richmond														o	o	o	o
Saddlebrook														o	o	o	o
Sussex														o	o	o	o
Shaker and Slab Door Styles																	
Cottonwood	o	o	o	o	o	o	o	o	o	o	o	o	o	o	o	o	o
Dayton														o	o	o	o
Harbour														o	o	o	o
Highland	o	o	o	o	o	o	o	o	o	o	o	o	o	o	o	o	o
Ironshore														o	o	o	o
Muirfield														o	o	o	o
Oxfordshire														o	o	o	o
Redan														o	o	o	o
St. Charles														o	o	o	o
Yorkshire														o	o	o	o

LEGEND

- Finish Available
- Finish Unavailable
- Not available with Glaze

Notes:

- Available with Veneer finished ends option only
- Opaque colors are available with the custom Brush Stroke option. Refer to page I.7 for details.
- Paint and Brush Stroke finishes require a Paint Finish Awareness Statement
- Glaze and Brush Stroke will be applied to the front of all profiled painted surfaces
- Glaze finishes are not available on slab doors
- White Melamine interior will be standard

Bulrush, Mink, Neptune, Portage, Stardust, and Sterling Finishes: +10%

Finishes

Melamine

	Baltic	Barnwood	Bulrush	Chill	Flint	Haze	Mink	Natural	Neptune	Portage	Slate	Smoke	Stardust	Sterling	Strata	Tempest	Vintage	White
Door Styles																		
Aura Textured		◆	◆	◆		◆	◆		◆	◆			◆	◆	◆	◆	◆	
Aura Horizontal			◆	◆		◆	◆		◆	◆			◆	◆	◆	◆	◆	
Rio	◆				◆			◆			◆	◆						◆
Mystique		◆	◆	◆		◆	◆		◆	◆			◆	◆	◆	◆	◆	

LEGEND

◆ Finish Available □ Finish Unavailable

- ◆ Available with Melamine finished ends only (applies to cabinets of your choice).
OR available with matching Melamine finished ends only +5% (applies to all cabinets).

Notes:

- White Melamine interior will be standard
- Textured finishes on gables and end panels will receive smooth Melamine ends complimentary in color
- Bulrush, Mink, Neptune, Portage, Stardust, and Sterling finishes have a 10% upcharge
- Miscellaneous and moulding restrictions apply
- Refer to page D.48 for Horizontal Grain design availability

PureStyle™

	Mink	Neptune	Portage	Stardust	Sterling
Door Styles					
Joliette	◆	◆	◆	◆	◆
Noble	◆	◆	◆	◆	◆

LEGEND

- ◆ Available with Melamine finished ends only (applies to cabinets of your choice).
OR available with matching Melamine finished ends only +5% (applies to all cabinets).

Notes:

- White Melamine interior will be standard. Natural birch not available.
- Maple Melamine interior not available
- Add heat shields when specifying PureStyle™ cabinets near heating appliances
- Not available in Horizontal Grain
- Miscellaneous and moulding restrictions apply

Door Style/Color Availability

Thermofoil

Cascade Dark
 Cascade Dark Horizontal
 Cascade White
 Cascade White Horizontal
 Natural
 Satin White
 Smoke

Door Styles	Cascade Dark	Cascade Dark Horizontal	Cascade White	Cascade White Horizontal	Natural	Satin White	Smoke
Ashburn	◆	◆	◆	◆	◆	◆	◆
Cantum	◆	◆	◆	◆	◆	◆	◆
Jasper	◆	◆	◆	◆	◆	◆	◆
Mission	◆	◆	◆	◆	◆	◆	◆
Windsor	◆	◆	◆	◆	◆	◆	◆

LEGEND

■ Finish Available □ Finish Unavailable

- ◆ Available with Melamine finished ends only (applies to cabinets of your choice).
 OR available with matching Melamine finished ends only +5% (applies to all cabinets).

Notes:

- White Melamine interior will be standard. Natural birch not available.
- Miscellaneous and moulding restrictions apply
- Refer to page D.42 for Horizontal Grain design availability
- Add heat shields when specifying Thermofoil cabinets near heating appliances
- White Melamine interior will be standard

Acrylic

Dark Gray Gloss
 Gloss White

Door Style	Dark Gray Gloss	Gloss White
Lucent	■	■

Notes:

- Available with Acrylic finished ends only
- Miscellaneous and moulding restrictions apply
- White Melamine interior will be standard

LEGEND

■ Finish Available □ Finish Unavailable

Stain Finishes

Echo Wood and Bamboo

Cape Cod
 Caramel
 Chocolate
 Flint
 French Roast
 Hazelnut
 Husk
 Java
 Natural
 Prairie
 Sand
 Slate
 Smoke
 Storm
 Weatherstone

Slab Door Styles	Cape Cod	Caramel	Chocolate	Flint	French Roast	Hazelnut	Husk	Java	Natural	Prairie	Sand	Slate	Smoke	Storm	Weatherstone
Highland Bamboo									■						
Highland Echo Wood Cherry		■	■						■						■
Highland Echo Wood Maple	■								■						■
Highland Echo Wood Walnut									■						
Highland Echo Wood White Oak		■	■						■						■
Highland Shale									■						
Highland Wenge									■						

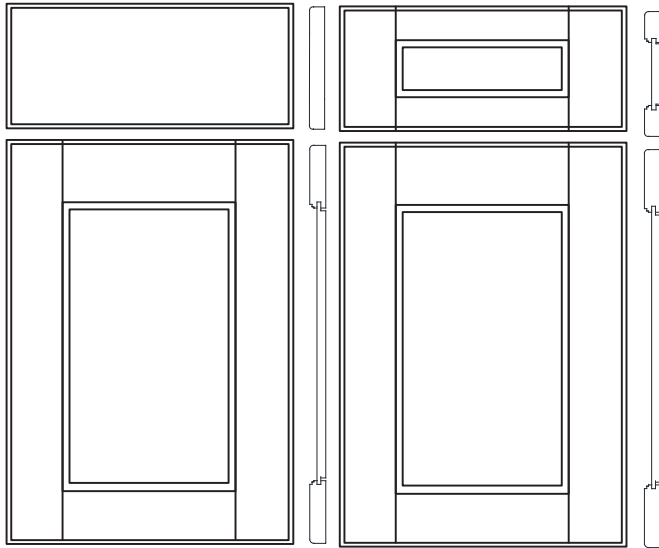
LEGEND

■ Finish Available
 □ Finish Unavailable

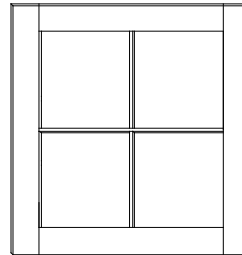
Notes:

- Echo Wood material has a very linear grain. Please ensure your customer is aware of these characteristics. When possible, please sell off an exact sample.
- Standard finishes are available with Veneer finished ends only
- Echo Wood Oak, Maple, Cherry, Wenge, Walnut, and Bamboo are available with a white Melamine or birch interior
- Echo Wood Shale is only available with a white Melamine interior
- Miscellaneous and moulding restrictions apply
- White Melamine interior will be standard

Albany – ALB



Optional 5pc drawer front



Standard Mullions

Grain

- Drawer Front - Horizontal Grain
- Door - Vertical Grain

Door and Drawer Front Specifications

- Frame 3/4" thick, 2" side, bottom and top rails
- Center panel 1/2" reversed raised solid wood
- Drawer 3/4" thick slab

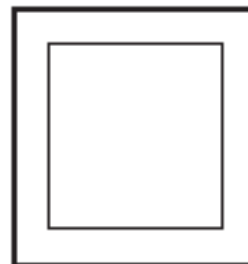
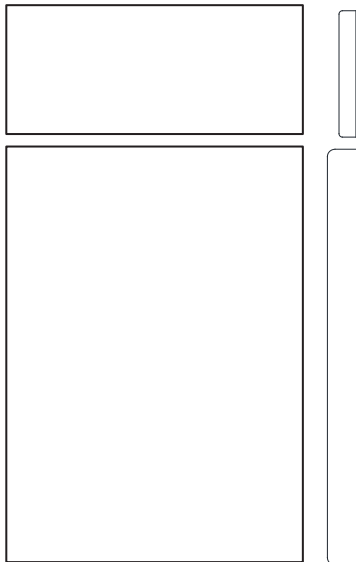
Design Considerations

- 1 7/8" of height remains on a 6" high front insert mounting a handle/knob.

Options	Available	Notes
Mullion Doors	Yes	Not available in Walnut and HDF. Mullions ordered in HDF will be made of Maple.
No Insert (prep for glass) doors	Yes	
5-Piece Drawer Front	Yes	+\$54/drawer on order
Wainscot Panel	Yes	

Species Availability and Price Grade								
Species	Red Oak	Rustic Alder	Maple	Cherry	Walnut	Rift Oak	HDF	Echo Wood
Price Column	3	3	4	5	8	6	3	n/a

Ashburn – AUB



Grain

- Drawer Front - Horizontal Grain
- Door - Vertical Grain

Door and Drawer Front Specifications

- Frame 5/8" thick Thermofoil
- Center 5/8" thick Thermofoil
- Drawer 5/8" thick slab

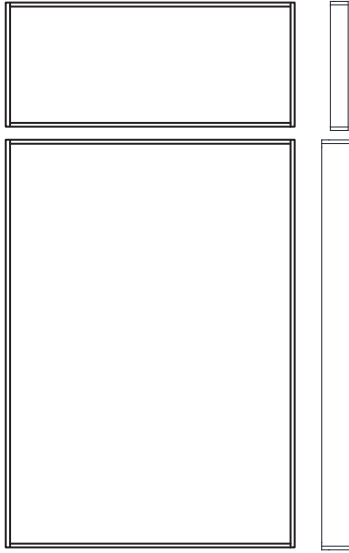
Design Considerations

- The backs of these doors are white Melamine. Back of no insert grooves are painted.
- Thermofoil horizontal fillers can only be made to the length of 96"

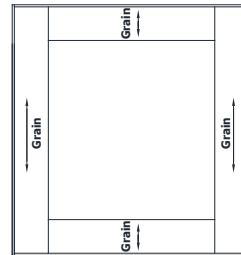
Options	Available	Notes
Mullion Doors	No	
No Insert (prep for glass) doors	Yes	
Routed Drawer Front	No	
Wainscot Panel	No	

Species Availability and Price Grade	
Species	Thermofoil
Price Column	1

Aura – ARA



Optional routed drawer front



Grain

- Drawer Front - Vertical Grain
- Door - Vertical Grain

Door and Drawer Front Specifications

- Frame 3/4" thick textured Melamine
- Center 3/4" thick textured Melamine
- Drawer 3/4" thick slab

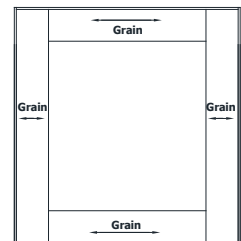
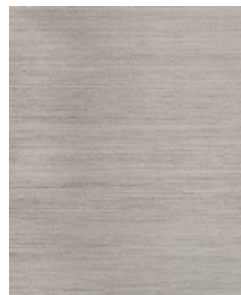
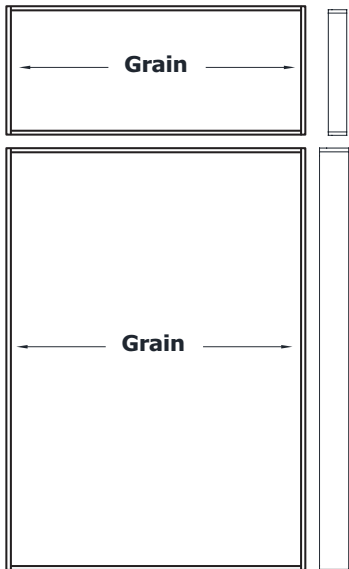
Design Considerations

- The backs of these doors are matching Melamine.
- Matching Melamine units will come with 5/8" thick textured Melamine backs.
- Mink, Neptune, and Sterling finishes in Matching Melamine have a 1/4" thick textured Melamine back.
- Stiles and rails are 3" wide
- Comes with 1 mm thick edgeband

Species Availability and Price Grade	
Species	Textured Melamine
Price Column	2

Options	Available	Notes
Mullion Doors	No	
No Insert (prep for glass) doors	Yes	
Routed Drawer Front	No	
5-Piece Drawer Front	No	
Wainscot Panel	No	

Aura Horizontal – ARH Horizontal Grain



Grain

- Drawer Front - Horizontal Grain
- Door - Horizontal Grain

Door and Drawer Front Specifications

- Frame 3/4" thick textured Melamine
- Center 3/4" thick textured Melamine
- Drawer 3/4" thick slab

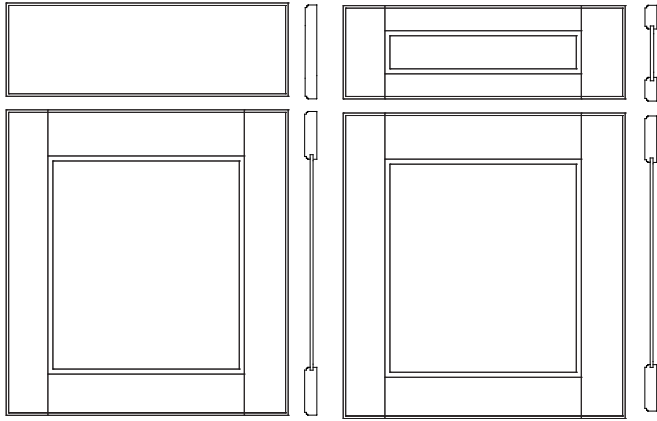
Design Considerations

- The backs of these doors are matching Melamine.
- Matching Melamine units will come with 5/8" thick textured Melamine backs.
- Mink, Neptune, and Sterling finishes in Matching Melamine have a 1/4" thick textured Melamine back.
- Stiles and rails are 3" wide
- Comes with 1 mm thick edgeband.
- Doors and fillers over 48" in height will be vertical grain.
- All panels, fillers, and finished ends will be vertical grain.
- Finished interior/exterior will be vertical grain.
- Toe kicks and mouldings will be horizontal grain.
- Horizontal fillers can only be made to the length of 48"

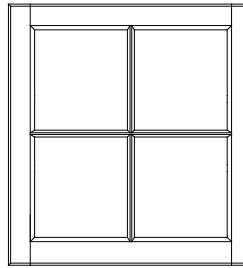
Species Availability and Price Grade	
Species	Textured Melamine
Price Column	2

Options	Available	Notes
Mullion Doors	No	
No Insert (prep for glass) doors	Yes	
Routed Drawer Front	No	
5-Piece Drawer Front	No	
Wainscot Panel	No	

Broadmoor – BRD



Optional 5pc drawer front



Standard Mullions

Grain

- Drawer Front – Horizontal Grain
- Doors – Vertical Grain

Door and Drawer Front Specifications

- Frame 3/4" thick, 3 5/16" side, bottom and top rails
- Centre panel 3/16" thick Veneer
- Drawer 3/4" thick slab

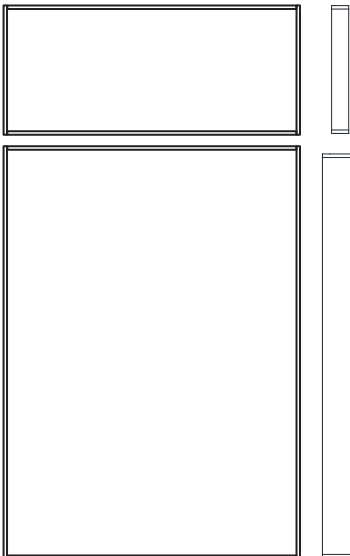
Design Considerations

- 1 5/16" of height remains on a 6" high front insert for mounting a handle/knob.

Options	Available	Notes
Mullion Doors	Yes	Not available in Walnut and HDF. Mullions ordered in HDF will be made of Maple.
No Insert (prep for glass) doors	Yes	
5-Piece Drawer Front	Yes	+\$54/drawer on order
Wainscot Panel	Yes	

Species Availability and Price Grade								
Species	Red Oak	Rustic Alder	Maple	Cherry	Walnut	Rift Oak	HDF	Echo Wood
Price Column	4	4	5	6	8	n/a	4	n/a

Canongate – CGT



Grain

- Drawer Front - Vertical Grain
- Door - Vertical Grain

Door and Drawer Front Specifications

- Frame 5/8" thick Veneer
- Center panel 5/8" thick. Veneer over particleboard core
- Drawer 5/8" thick Veneer slab

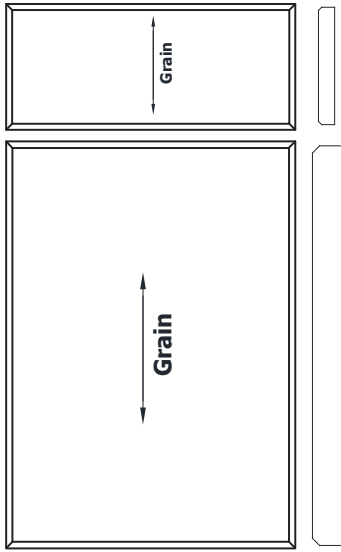
Design Considerations

- Comes with standard thickness edgeband.

Options	Available	Notes
Mullion Doors	No	
No Insert (prep for glass) doors	No	
5-Piece Drawer Front	No	
Wainscot Panel	No	

Species Availability and Price Grade								
Species	Red Oak	Rustic Alder	Maple	Cherry	Walnut	Rift Oak	HDF	Echo Wood
Price Column	1	2	2	3	n/a	n/a	n/a	n/a

Cantum – CTM



Grain

- Drawer Front - Vertical Grain
- Door - Vertical Grain

Door and Drawer Front Specifications

- Frame 3/4" thick Thermofoil
- Center 3/4" thick Thermofoil
- Drawer 3/4" thick slab

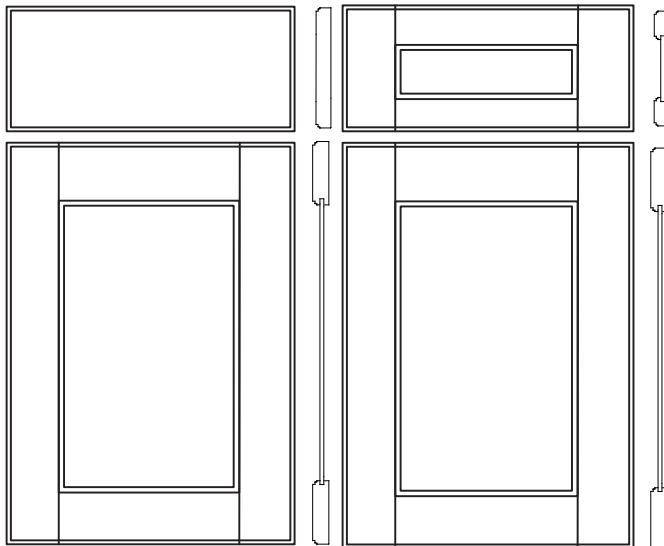
Design Considerations

- The backs of these doors are white Melamine. Back of no insert grooves are painted.
- Thermofoil horizontal fillers can only be made to the length of 96"

Options	Available	Notes
Mullion Doors	No	
No Insert (prep for glass) doors	Yes	
Routed Drawer Front	No	
Wainscot Panel	No	

Species Availability and Price Grade	
Species	Thermofoil
Price Column	1

Chestermere – CHE



Grain

- Drawer Front - Horizontal Grain
- Door - Vertical Grain

Door and Drawer Front Specifications

- Frame 3/4" thick, 2 5/16" side, bottom and top rails
- Center panel 3/16" thick Veneer
- Drawer 3/4" thick slab

Design Considerations

- 1 5/16" of height remains on a 6" high front insert mounting a handle/knob.

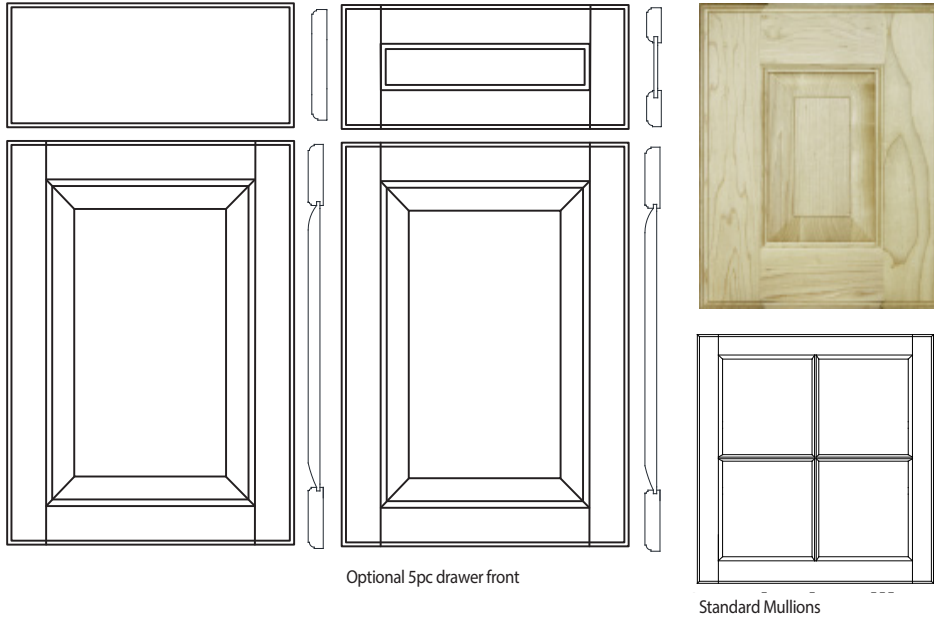
Options	Available	Notes
Mullion Doors	Yes	Not available in Walnut and HDF. Mullions ordered in HDF will be made of Maple.
No Insert (prep for glass) doors	Yes	
5-Piece Drawer Front	Yes	+\$54/drawer on order
Wainscot Panel	Yes	

Optional 5pc drawer front

Standard Mullions

Species Availability and Price Grade								
Species	Red Oak	Rustic Alder	Maple	Cherry	Walnut	Rift Oak	HDF	Echo Wood
Price Column	1	2	2	3	8	n/a	1	n/a

Collingwood – CLG



Grain

- Drawer Front - Horizontal Grain
- Door - Vertical Grain

Door and Drawer Front Specifications

- Frame 3/4" thick, 3 5/16" side, bottom, and top rails
- Center panel 3/4" raised solid wood
- Drawer 3/4" thick slab

Design Considerations

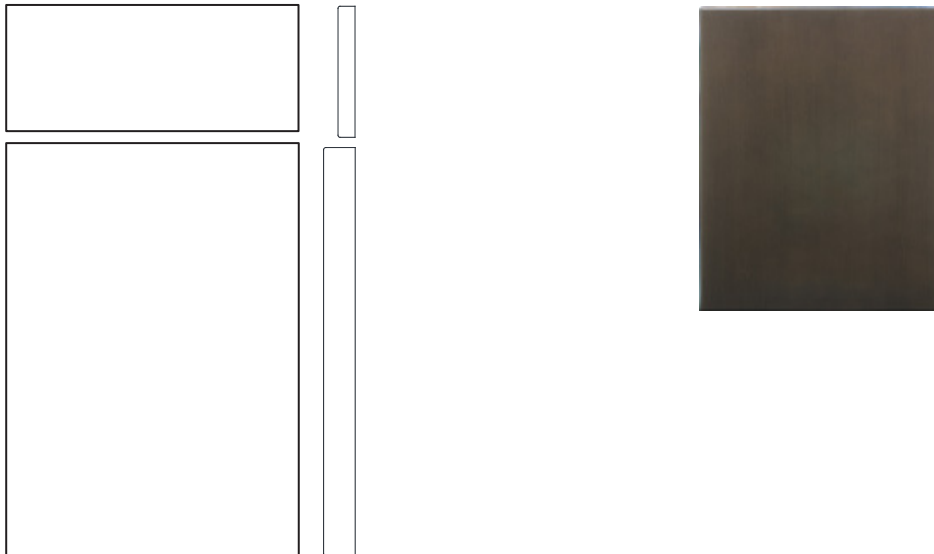
- 1 5/16" of height remains on a 6" high front insert mounting a handle/knob.

Options	Available	Notes
Mullion Doors	Yes	Not available in HDF. Mullions ordered in HDF will be made of Maple.
No Insert (prep for glass) doors	Yes	
5-Piece Drawer Front	Yes	+\$54/drawer on order
Wainscot Panel	Yes	

Species Availability and Price Grade

Species	Red Oak	Rustic Alder	Maple	Cherry	Walnut	Rift Oak	HDF	Echo Wood
Price Column	5	5	6	7	n/a	n/a	5	n/a

Cottonwood – COT



Grain

- Drawer Front - Painted Horizontal Grain
- Door - Painted Vertical Grain

Door and Drawer Front Specifications

- Frame 3/4" thick HDF
- Center panel 3/4" thick HDF
- Drawer 3/4" thick HDF

Design Considerations

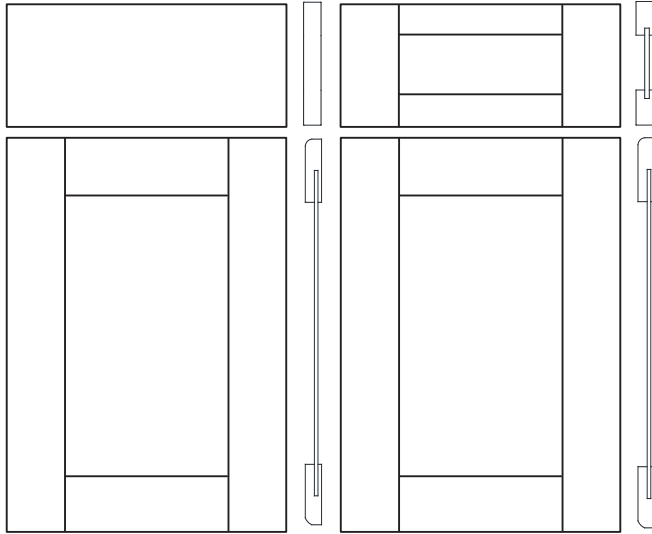
- Back of no insert grooves are painted.
- Stiles and rails are 3" wide

Options	Available	Notes
Mullion Doors	No	
No Insert (prep for glass) doors	Yes	
5-Piece Drawer Front	No	
Wainscot Panel	No	

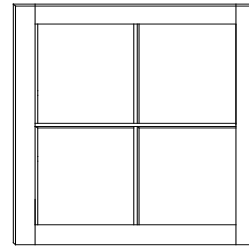
Species Availability and Price Grade

Species	Red Oak	Rustic Alder	Maple	Cherry	Walnut	Rift Oak	HDF	Echo Wood
Price Column	n/a	n/a	n/a	n/a	n/a	n/a	1	n/a

Dayton – DTN



Optional 5pc drawer front



Standard Mullions

Grain

- Drawer Front - Horizontal Grain
- Door - Vertical Grain

Door and Drawer Front Specifications

- Frame 3/4" thick, 2 7/8" side, bottom and top rails
- Center panel 3/16" thick Veneer
- Drawer 3/4" thick slab

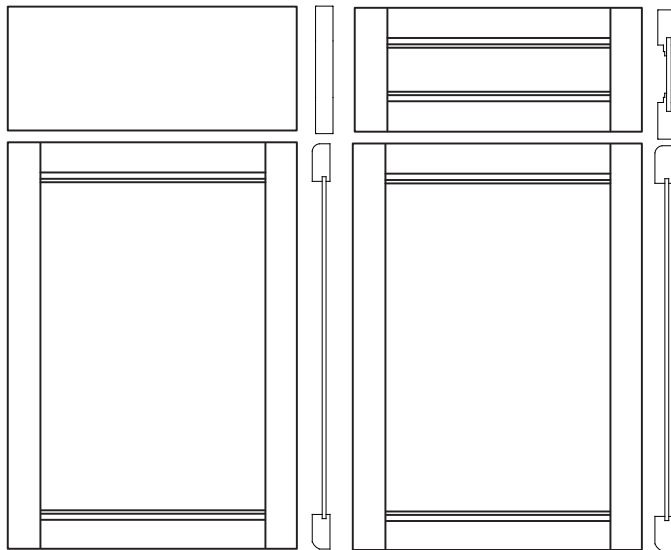
Design Considerations

- 1 5/16" of height remains on a 6" high front insert mounting a handle/knob.

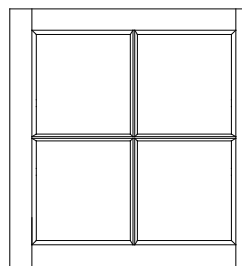
Options	Available	Notes
Mullion Doors	Yes	Not available in HDF. Mullions ordered in HDF will be made of Maple.
No Insert (prep for glass) doors	Yes	
5-Piece Drawer Front	Yes	+\$54/drawer on order
Wainscot Panel	Yes	

Species Availability and Price Grade								
Species	Red Oak	Rustic Alder	Maple	Cherry	Walnut	Rift Oak	HDF	Echo Wood
Price Column	3	3	4	5	n/a	4	3	n/a

Elmhurst – ELM



Optional 5pc drawer front



Standard Mullions

Grain

- Drawer Front - Horizontal Grain
- Door - Vertical Grain

Door and Drawer Front Specifications

- Frame 3/4" thick, 2 5/16" side, bottom and top rails
- Center panel 3/16" thick Veneer
- Drawer 3/4" thick slab

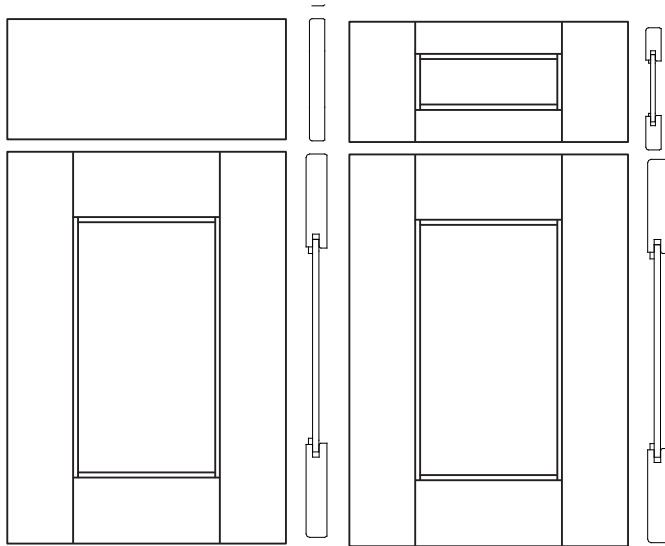
Design Considerations

- 1 5/16" of height remains on a 6" high front insert mounting a handle/knob.

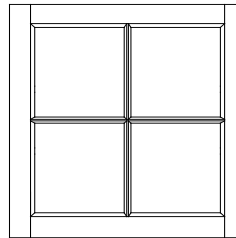
Options	Available	Notes
Mullion Doors	Yes	Not available in Walnut and HDF. Mullions ordered in HDF will be made of Maple.
No Insert (prep for glass) doors	Yes	
5-Piece Drawer Front	Yes	+\$54/drawer on order
Wainscot Panel	No	

Species Availability and Price Grade								
Species	Red Oak	Rustic Alder	Maple	Cherry	Walnut	Rift Oak	HDF	Echo Wood
Price Column	2	n/a	3	4	8	5	2	n/a

Foxfire – FOX



Optional 5pc drawer front



Standard Mullions

Grain

- Drawer Front - Horizontal Grain
- Door - Vertical Grain

Door and Drawer Front Specifications

- Frame 3/4" thick, 3 5/16" side, bottom and top rails
- Center panel 3/16" thick Veneer
- Drawer 3/4" thick slab

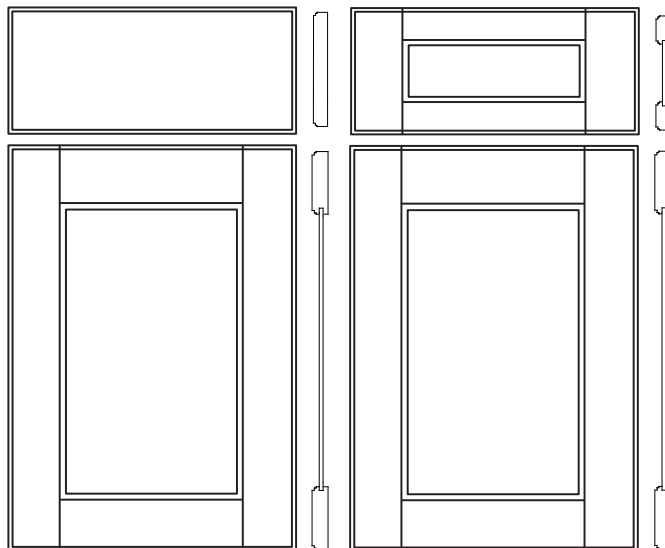
Design Considerations

- 1 5/16" of height remains on a 6" high front insert mounting a handle/knob.

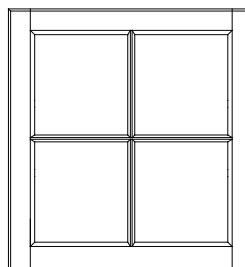
Options	Available	Notes
Mullion Doors	Yes	Not available in Walnut and HDF. Mullions ordered in HDF will be made of Maple.
No Insert (prep for glass) doors	Yes	
5-Piece Drawer Front	Yes	+\$54/drawer on order
Wainscot Panel	Yes	

Species Availability and Price Grade								
Species	Red Oak	Rustic Alder	Maple	Cherry	Walnut	Rift Oak	HDF	Echo Wood
Price Column	4	4	5	6	8	n/a	4	n/a

Glendale – GLD



Optional 5pc drawer front



Standard Mullions

Grain

- Drawer Front - Horizontal Grain
- Door - Vertical Grain

Door and Drawer Front Specifications

- Frame 3/4" thick, 2" side, bottom and top rails
- Center panel 3/16" thick Veneer
- Drawer 3/4" thick slab

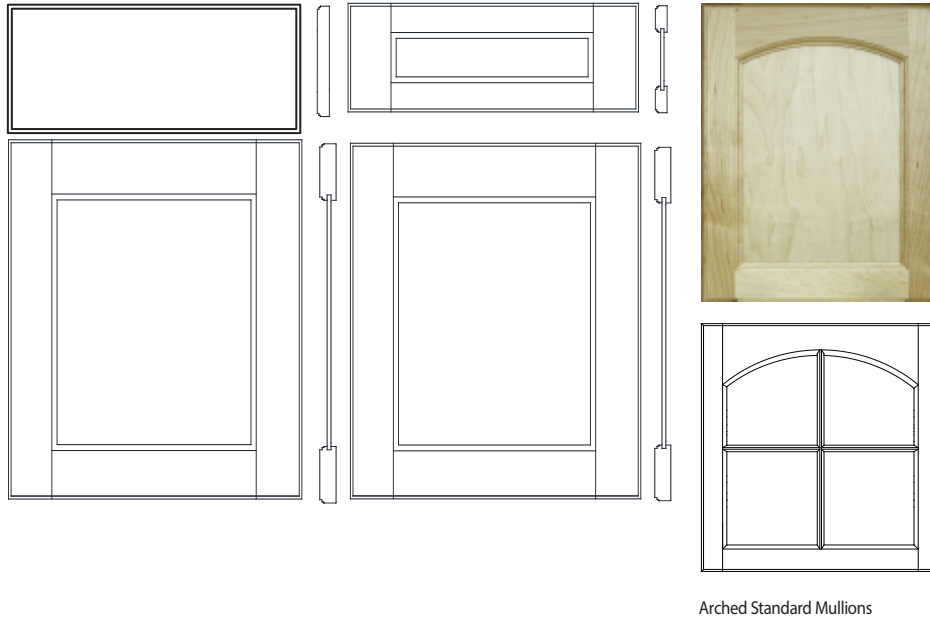
Design Considerations

- 1 7/8" of height remains on a 6" high front insert mounting a handle/knob.

Options	Available	Notes
Mullion Doors	Yes	Not available in Walnut and HDF. Mullions ordered in HDF will be made of Maple.
No Insert (prep for glass) doors	Yes	
5-Piece Drawer Front	Yes	+\$54/drawer on order
Wainscot Panel	Yes	

Species Availability and Price Grade								
Species	Red Oak	Rustic Alder	Maple	Cherry	Walnut	Rift Oak	HDF	Echo Wood
Price Column	1	2	2	3	8	n/a	1	n/a

Glendale Arch – GLA



Arched Standard Mullions

Grain

- Drawer Front - Horizontal Grain
- Door - Vertical Grain

Door and Drawer Front Specifications

- Frame 3/4" thick, 2" side, bottom and top rails
- Center panel 3/16" thick Veneer
- Drawer 3/4" thick slab
- Arched doors can only be used on upper cabinets and top portion on DI doors. Base cabinets will be standard Glendale.

Design Considerations

- 1 7/8" of height remains on a 6" high front insert mounting a handle/knob.

Options	Available	Notes
Mullion Doors	Yes	
No Insert (prep for glass) doors	Yes	
5-Piece Drawer Front	Yes	+\$54/drawer on order
Wainscot Panel	No	

Species Availability and Price Grade								
Species	Red Oak	Rustic Alder	Maple	Cherry	Walnut	Rift Oak	HDF	Echo Wood
Price Column	1	2	2	3	n/a	n/a	n/a	n/a

Harbour – HAR



Optional 5pc drawer front

Standard Mullions

Grain

- Drawer Front - Horizontal Grain
- Door - Vertical Grain

Door and Drawer Front Specifications

- Frame 3/4" thick, 2 5/16" side, bottom and top rails
- Center panel 1/2" thick solid wood
- Drawer 3/4" thick slab

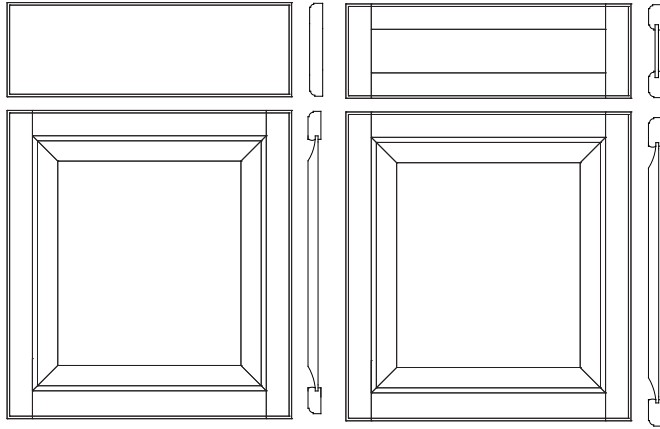
Design Considerations

- 1 5/16" of height remains on a 6" high front insert mounting a handle/knob.

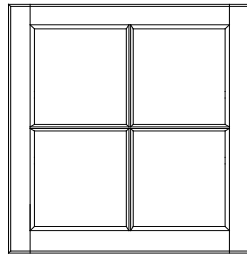
Options	Available	Notes
Mullion Doors	Yes	Not available in Walnut and HDF. Mullions ordered in HDF will be made of Maple.
No Insert (prep for glass) doors	Yes	
5-Piece Drawer Front	Yes	+\$54/drawer on order
Wainscot Panel	Yes	

Species Availability and Price Grade								
Species	Red Oak	Rustic Alder	Maple	Cherry	Walnut	Rift Oak	HDF	Echo Wood
Price Column	4	4	5	6	8	7	4	n/a

Heritage - HTG



Optional 5pc drawer front



Standard Mullions

Grain

- Drawer Front - Horizontal Grain
- Door - Vertical Grain

Door and Drawer Front Specifications

- Frame 3/4" thick, 2" side, bottom and top rails
- Centre panel 3/4" raised.
- Drawer 3/4" thick slab

Design Considerations

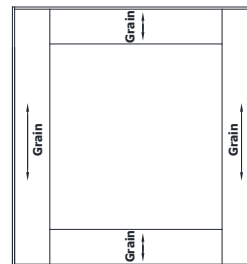
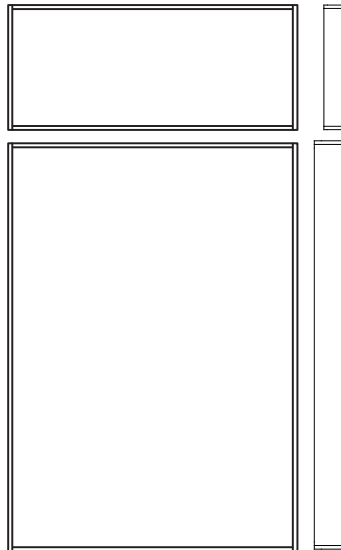
- 1 7/8" of height remains on a 6" high front insert for mounting a handle/knob.

Options	Available	Notes
Mullion Doors	Yes	Not available in HDF. Mullions ordered in HDF will be made of Maple.
No Insert (prep for glass) doors	Yes	
5-Piece Drawer Front	Yes	+\$54/drawer on order
Wainscot Panel	Yes	

Species Availability and Price Grade

Species	Red Oak	Rustic Alder	Maple	Cherry	Walnut	Rift Oak	HDF	Echo Wood
Price Column	3	4	5	6	n/a	n/a	4	n/a

Highland – HYL



Grain

- Drawer Front - Vertical Grain
- Door - Vertical Grain

Door and Drawer Front Specifications

- Frame/Drawer 3/4" thick HDF or Veneer
- Center panel 3/4" thick
- HDF is HDF all the way through
- Veneer over particleboard core

Design Considerations

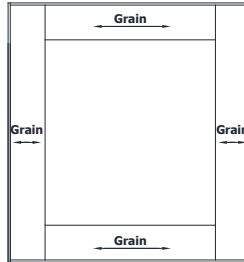
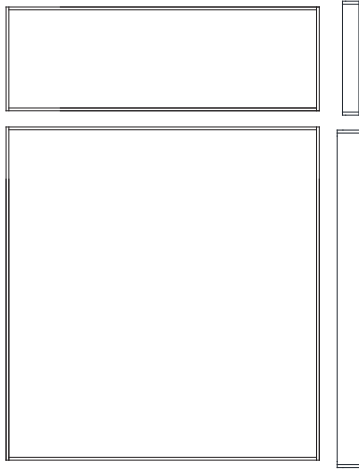
- Moulding selection is limited.
- 4 piece no insert door. Stiles and rails are 3" wide.
- See Page D.6 for grain direction on additional components.
- Veneer styles: comes with 1mm thick edgeband. Material has very linear grain.

Options	Available	Notes
Mullion Doors	No	
No Insert (prep for glass) doors	Yes	
5-Piece Drawer Front	No	
Wainscot Panel	No	

Species Availability and Price Grade

Species	Echo Oak	Echo Maple	Echo Cherry	Bamboo	Shale	Walnut	Wenge	HDF
Price Column	3	4	5	5	4	5	5	2

Highland Horizontal Grain - HYH



Grain

- Drawer Front - Horizontal Grain
- Door - Horizontal Grain

Door and Drawer Front Specifications

- Frame 3/4" thick Veneer
- Centre panel 3/4" thick. Veneer over particleboard core.
- Drawer 3/4" thick Veneer slab

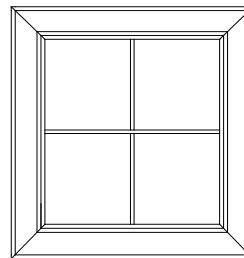
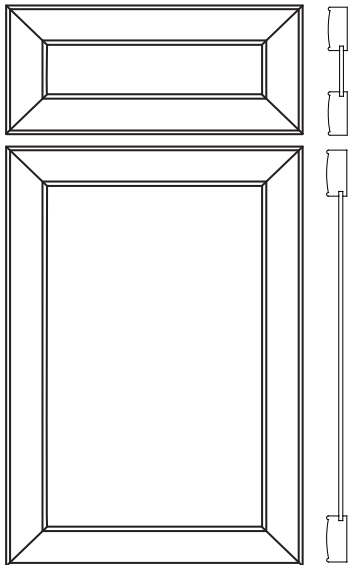
Design Considerations

- Moulding selection is limited
- 4 piece no insert door. Stiles and rails are 3" wide.
- Comes with 1mm thick edgeband
- Material has a very linear grain
- Doors, drawer fronts, and finished ends come with horizontal grain
- Echo Wood, Melamine, and Thermofoil horizontal fillers can only be made to the length of 96"

Species Availability and Price Grade								
Species	Echo Oak	Echo Maple	Echo Cherry	Bamboo	Shale	Walnut	Wenge	HDF
Price Column	4	5	6	6	5	6	6	n/a

Options	Available	Notes
Mullion Doors	No	
No Insert (prep for glass) doors	Yes	
5-Piece Drawer Front	No	
Wainscot Panel	No	

Hilton – HIL



Standard Mullions

Grain

- Drawer Front - Horizontal Grain
- Door - Vertical Grain

Door and Drawer Front Specifications

- Frame 3/4" thick miter, 2 3/4" side, bottom and top rails
- Center panel 3/16" thick Veneer
- Drawer 5-piece drawer front

Design Considerations

- 1 5/16" of height remains on a 6" high front insert mounting a handle/knob.
- The Hilton mitered door style will have a Yorkshire door profile on fillers

Species Availability and Price Grade								
Species	Red Oak	Rustic Alder	Maple	Cherry	Walnut	Rift Oak	HDF	Echo Wood
Price Column	5	5	6	6	n/a	n/a	n/a	n/a

Options	Available	Notes
Mullion Doors	Yes	Not available in HDF. Mullions ordered in HDF will be made of Maple.
No Insert (prep for glass) doors	Yes	
Slab Drawer Front	No	
Wainscot Panel	No	

Ironshore – IRN



Grain

- Drawer Front - Horizontal Grain
- Door - Vertical Grain

Door and Drawer Front Specifications

- Frame 3/4" thick, 3 5/16" side, bottom and top rails
- Center panel 3/16" thick Veneer
- Drawer 3/4" thick slab

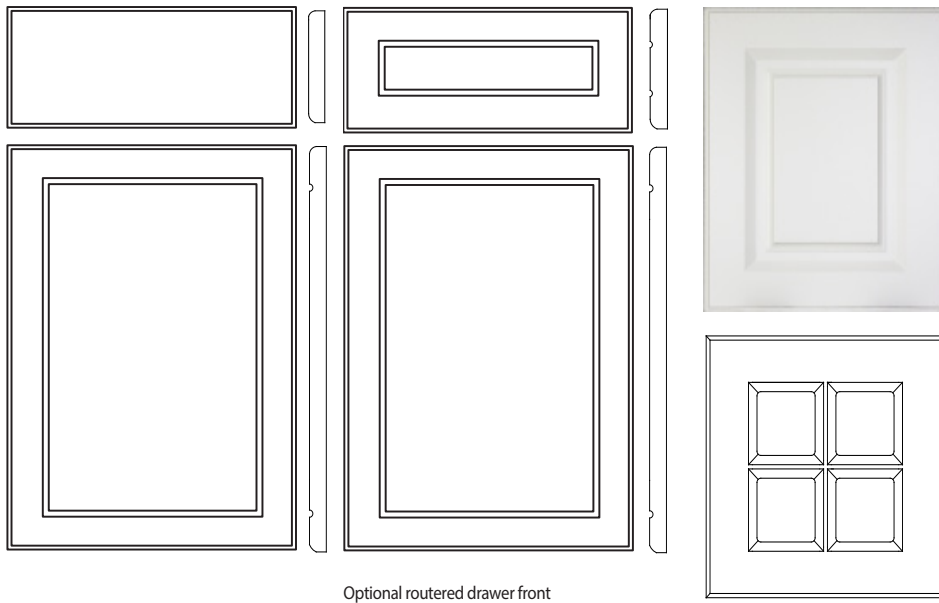
Design Considerations

- 1 5/16" of height remains on a 6" high front insert mounting a handle/knob.

Options	Available	Notes
Mullion Doors	Yes	Not available in Walnut and HDF. Mullions ordered in HDF will be made of Maple.
No Insert (prep for glass) doors	Yes	
5-Piece Drawer Front	Yes	+\$54/drawer on order
Wainscot Panel	Yes	

Species Availability and Price Grade								
Species	Red Oak	Rustic Alder	Maple	Cherry	Walnut	Rift Oak	HDF	Echo Wood
Price Column	4	4	5	6	8	6	4	n/a

Jasper – JSP



Grain

- Drawer Front - Horizontal Grain
- Door - Vertical Grain

Door and Drawer Front Specifications

- Frame 3/4" thick Thermofoil
- Center 3/4" thick Thermofoil
- Drawer 3/4" thick slab

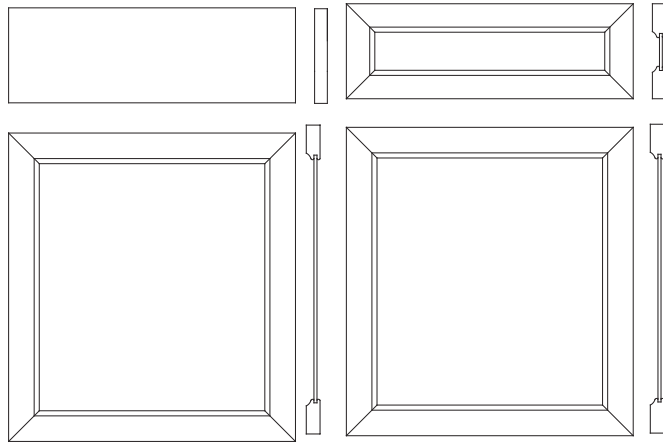
Design Considerations

- The backs of these doors are white Melamine. Back of mullions and no insert grooves are painted.
- Thermofoil horizontal fillers can only be made to the length of 96"

Options	Available	Notes
Mullion Doors	Yes	
No Insert (prep for glass) doors	Yes	
Routed Drawer Front	Yes	+\$54/drawer on order
Wainscot Panel	No	

Species Availability and Price Grade	
Species	Thermofoil
Price Column	3

Joliette - JOL



Optional 5pc drawer front



Grain

- Drawer Front - Horizontal Grain
- Door - Vertical Grain

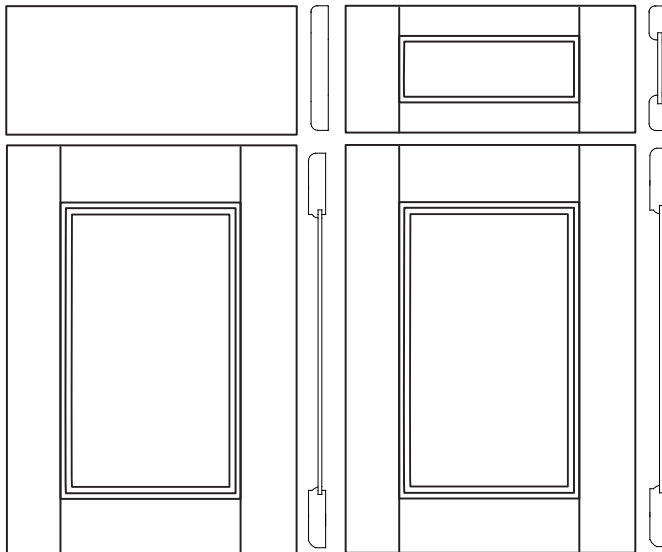
Door and Drawer Front Specifications

- Frame 3/4" thick, 2 1/2" side, bottom and top rails
- Center panel 3/16" thick DLV
- Drawer 3/4" thick slab
- Matching Melamine units have a 1/4" thick textured Melamine back
- The Joliette mitered door style will have a Yorkshire door profile on fillers

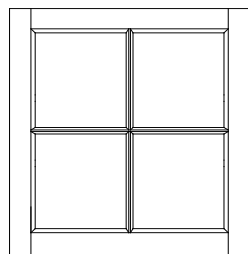
Options	Available	Notes
Mullion Doors	No	
No Insert (prep for glass) doors	No	
5-Piece Drawer Front	Yes	
Wainscot Panel	No	

Species Availability and Price Grade	
Species	Purestyle
Price Column	3

Kingswood – KNG



Optional 5pc drawer front



Standard Mullions

Grain

- Drawer Front - Horizontal Grain
- Door - Vertical Grain

Door and Drawer Front Specifications

- Frame 3/4" thick, 3 5/16" side, bottom and top rails
- Center panel 3/16" thick Veneer
- Drawer 3/4" thick slab

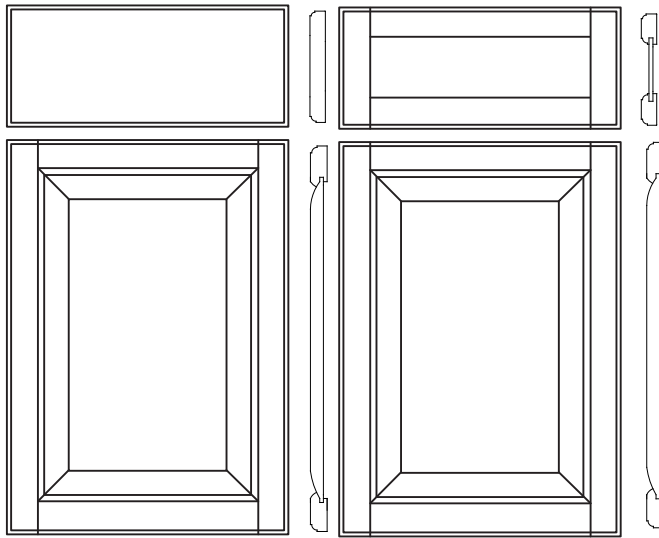
Design Considerations

- 1 5/16" of height remains on a 6" high front insert mounting a handle/knob.

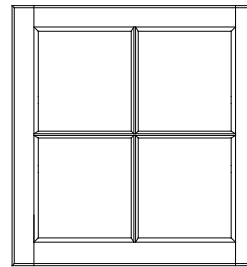
Options	Available	Notes
Mullion Doors	Yes	Not available in Walnut and HDF. Mullions ordered in HDF will be made of Maple.
No Insert (prep for glass) doors	Yes	
5-Piece Drawer Front	Yes	+\$54/drawer on order
Wainscot Panel	Yes	

Species Availability and Price Grade								
Species	Red Oak	Rustic Alder	Maple	Cherry	Walnut	Rift Oak	HDF	Echo Wood
Price Column	4	4	5	6	8	6	4	n/a

Legacy – LEG



Optional 5pc drawer front



Standard Mullions

Grain

- Drawer Front - Horizontal Grain
- Door - Vertical Grain

Door and Drawer Front Specifications

- Frame 3/4" thick, 2 5/16" side, bottom and top rails
- Center panel 3/4" raised solid wood
- Drawer 3/4" thick slab

Design Considerations

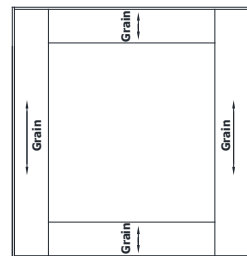
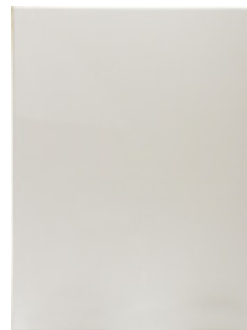
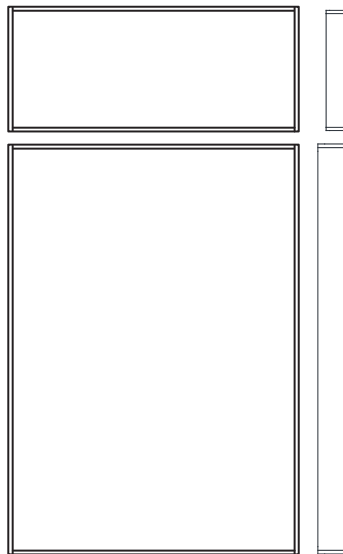
- 1 5/16" of height remains on a 6" high front insert mounting a handle/knob.

Options	Available	Notes
Mullion Doors	Yes	Not available in HDF. Mullions ordered in HDF will be made of Maple.
No Insert (prep for glass) doors	Yes	
5-Piece Drawer Front	Yes	+\$54/drawer on order
Wainscot Panel	Yes	

Species Availability and Price Grade

Species	Red Oak	Rustic Alder	Maple	Cherry	Walnut	Rift Oak	HDF	Echo Wood
Price Column	5	5	6	7	n/a	n/a	5	n/a

Lucent – LUC



Grain

- Drawer Front - n/a
- Door - n/a

Door and Drawer Front Specifications

- Frame 3/4" thick Acrylic
- Center 3/4" thick Acrylic
- Drawer 3/4" thick Acrylic slab

Design Considerations

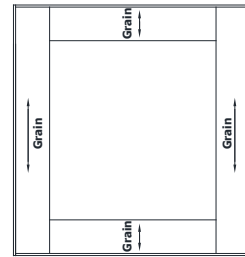
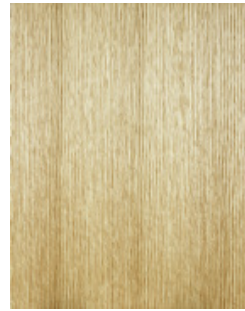
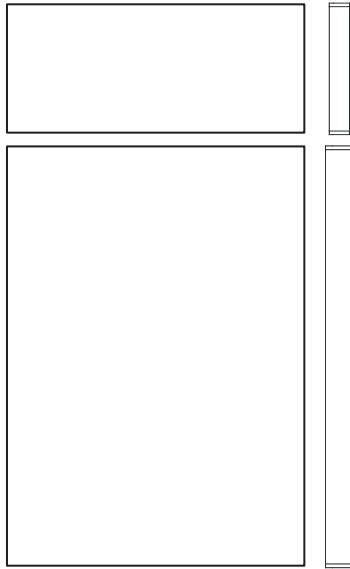
- The backs of these doors/drawers are matching Melamine.
- This door style comes with no available mouldings.
- Stiles and rails are 3" wide
- Finished ends will be high gloss Acrylic.
- Comes with 1.3 mm thick edgeband.

Options	Available	Notes
Mullion Doors	No	
No Insert (prep for glass) doors	Yes	
Routed Drawer Front	No	
Wainscot Panel	No	

Species Availability and Price Grade

Species	Acrylic
Price Column	6

Metro – MTR



Grain

- Drawer Front - Vertical Grain
- Door - Vertical Grain

Door and Drawer Front Specifications

- Frame 3/4" thick Veneer
- Center panel 3/4" thick. Veneer over particleboard core
- Drawer 3/4" thick Veneer slab

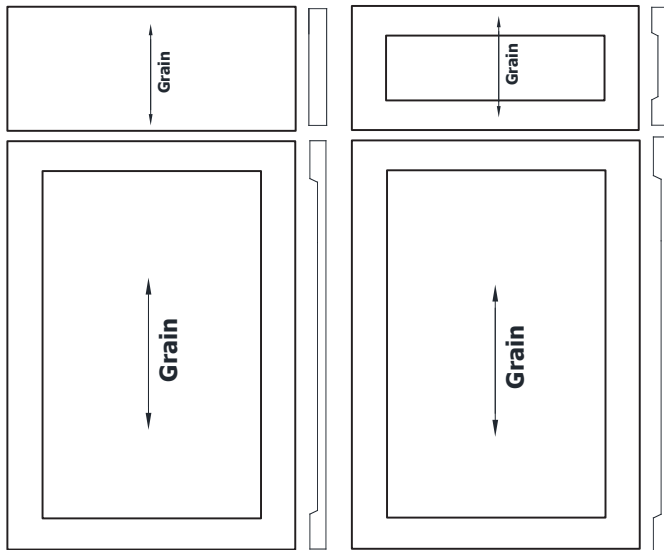
Design Considerations

- Comes with standard thickness edgeband.
- 4 piece no insert door. Stiles and rails are 3" wide. All parts are vertical grain.

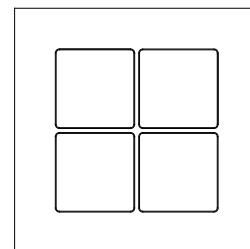
Options	Available	
Mullion Doors	No	
No Insert (prep for glass) doors	Yes	
5-Piece Drawer Front	No	
Wainscot Panel	No	

Species Availability and Price Grade								
Species	Red Oak	Rustic Alder	Maple	Cherry	Walnut	Rift Oak	HDF	Echo Wood
Price Column	3	n/a	4	5	n/a	4	n/a	n/a

Mission – MSN



Optional routed drawer front



Grain

- Drawer Front - Vertical Grain
- Door - Vertical Grain

Door and Drawer Front Specifications

- Frame 3/4" thick Thermofoil
- Center 3/4" thick Thermofoil
- Drawer 3/4" thick slab

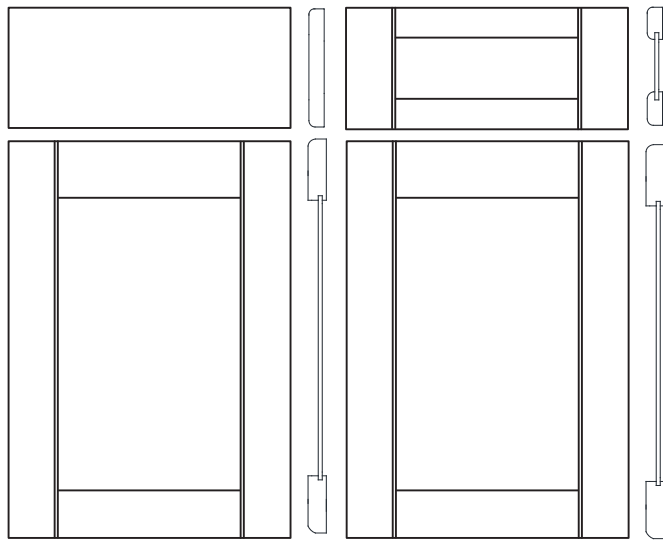
Design Considerations

- The backs of these doors are white Melamine. Back of mullions and no insert grooves are painted.
- Thermofoil horizontal fillers can only be made to the length of 96"

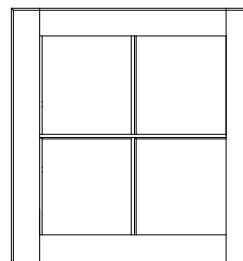
Options	Available	Notes
Mullion Doors	Yes	
No Insert (prep for glass) doors	Yes	
Routed Drawer Front	Yes	+\$54/drawer on order
Wainscot Panel	No	

Species Availability and Price Grade	
Species	Thermofoil
Price Column	2

Muirfield – MUI



Optional 5pc drawer front



Standard Mullions

Grain

- Drawer Front - Horizontal Grain
- Door - Vertical Grain

Door and Drawer Front Specifications

- Frame 3/4" thick, 3 5/16" side, bottom and top rails
- Center panel 3/16" thick Veneer
- Drawer 3/4" thick slab

Design Considerations

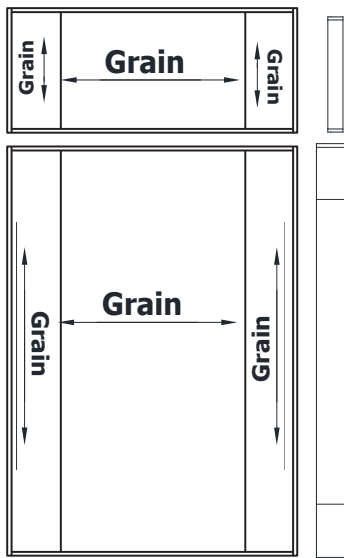
- 1 5/16" of height remains on a 6" high front insert mounting a handle/knob.

Options	Available	Notes
Mullion Doors	Yes	Not available in Walnut and HDF. Mullions ordered in HDF will be made of Maple.
No Insert (prep for glass) doors	Yes	
5-Piece Drawer Front	Yes	+\$54/drawer on order
Wainscot Panel	Yes	

Species Availability and Price Grade

Species	Red Oak	Rustic Alder	Maple	Cherry	Walnut	Rift Oak	HDF	Echo Wood
Price Column	4	4	5	6	8	n/a	4	n/a

Mystique – MYS



Grain

- Drawer Front - Center Panel Horizontal Grain
Rails - Vertical Grain
- Door - Center Panel Horizontal Grain,
Rails - Vertical Grain
- All Finished Ends will be Vertical Grain
- All Slab Doors/Drawer Fronts will be Vertical Grain; All Panels & Fillers will be Vertical Grain
- Finished Interior/Exterior will be Vertical Grain

Door and Drawer Front Specifications

- Frame 3/4" thick textured Melamine
- Center 3/4" thick textured Melamine
- Drawer 3/4" 3-Piece Drawer Front

Design Considerations

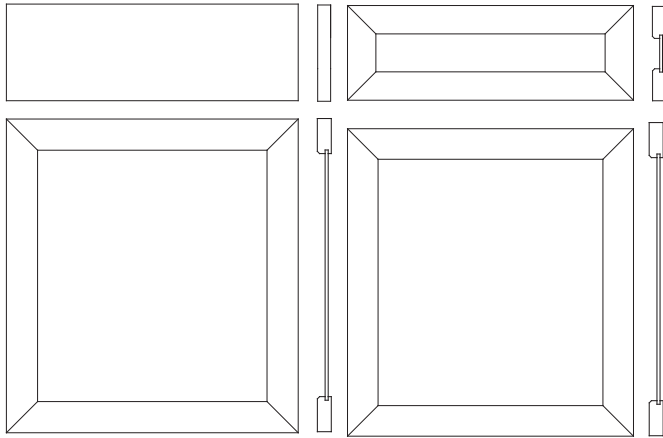
- The backs of these doors are matching Melamine.
- Matching Melamine units will come with 5/8" thick textured Melamine backs.
- Mink, Neptune, and Sterling finishes in Matching Melamine have a 1/4" thick textured Melamine back.
- Stiles are 3" wide
- Comes with 1 mm thick edgeband.

Species Availability and Price Grade

Species	Textured Melamine
Price Column	3

Options	Available	Notes
Mullion Doors	No	
No Insert (prep for glass) doors	Yes	
3-Piece Drawer Front	Yes	
Wainscot Panel	No	

Noble – NBL



Optional 5pc drawer front



Grain

- Drawer Front - Horizontal Grain
- Door - Vertical Grain

Door and Drawer Front Specifications

- Frame 3/4" thick, 2 5/8" side, bottom and top rails
- Center panel 3/16" thick DLV
- Drawer 3/4" thick slab
- Matching Melamine units have a 1/4" thick textured Melamine back.

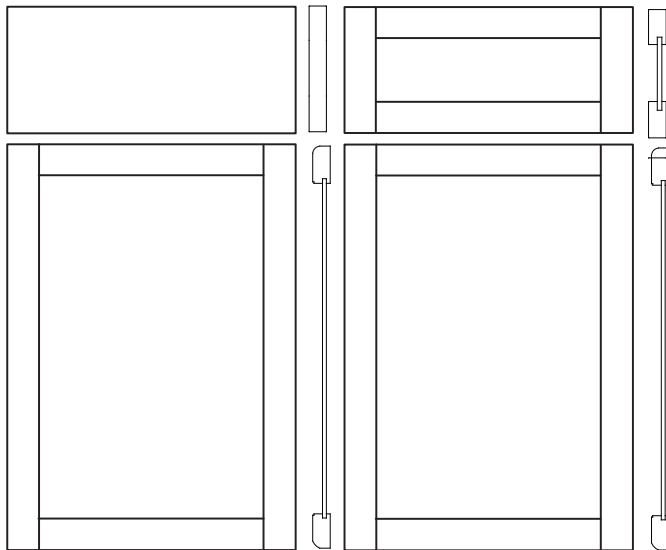
Design Considerations

- The Noble mitered door style will have a Yorkshire door profile on fillers

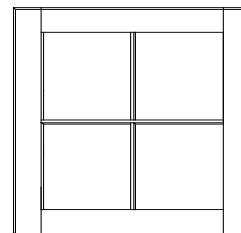
Options	Available	Notes
Mullion Doors	No	
No Insert (prep for glass) doors	No	
5-Piece Drawer Front	Yes	
Wainscot Panel	No	

Species Availability and Price Grade	
Species	Purestyle
Price Column	3

Oxfordshire – OXF



Optional 5pc drawer front



Standard Mullions

Grain

- Drawer Front - Horizontal Grain
- Door - Vertical Grain

Door and Drawer Front Specifications

- Frame 3/4" thick, 2 5/16" side, bottom and top rails
- Center panel 3/16" thick Veneer
- Drawer 3/4" thick slab

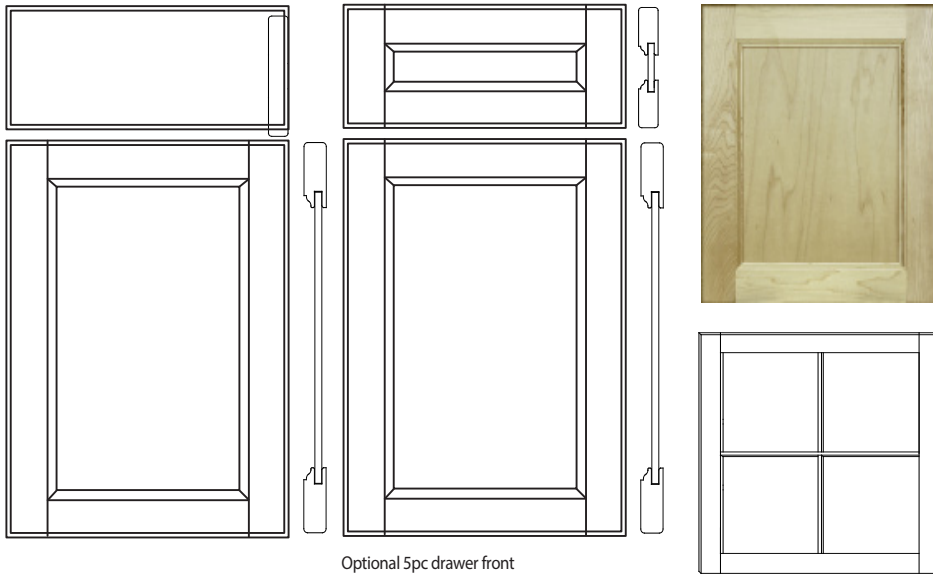
Design Considerations

- 1 5/16" of height remains on a 6" high front insert mounting a handle/knob.

Options	Available	Notes
Mullion Doors	Yes	Not available in Walnut and HDF. Mullions ordered in HDF will be made of Maple.
No Insert (prep for glass) doors	Yes	
5-Piece Drawer Front	Yes	+\$54/drawer on order
Wainscot Panel	Yes	

Species Availability and Price Grade								
Species	Red Oak	Rustic Alder	Maple	Cherry	Walnut	Rift Oak	HDF	Echo Wood
Price Column	1	2	2	3	8	n/a	1	n/a

Pioneer – PIO



Grain

- Drawer Front - Horizontal Grain
- Door - Vertical Grain

Door and Drawer Front Specifications

- Frame 3/4" thick, 2" side, bottom and top rails
- Center panel 3/16" thick Veneer
- Drawer 3/4" thick slab

Design Considerations

- 1 7/8" of height remains on a 6" high front insert mounting a handle/knob.

Options	Available	Notes
Mullion Doors	Yes	Not available in Walnut and HDF. Mullions ordered in HDF will be made of Maple.
No Insert (prep for glass) doors	Yes	
5-Piece Drawer Front	Yes	+\$54/drawer on order
Wainscot Panel	Yes	

Species Availability and Price Grade								
Species	Red Oak	Rustic Alder	Maple	Cherry	Walnut	Rift Oak	HDF	Echo Wood
Price Column	1	2	2	3	8	n/a	1	n/a

Redan – RDN



Grain

- Drawer Front - Horizontal Grain
- Door - Vertical Grain

Door and Drawer Front Specifications

- Frame 3/4" thick, 2 7/8" side, bottom and top rails
- Center panel 3/16" thick Veneer
- Drawer 3/4" thick slab

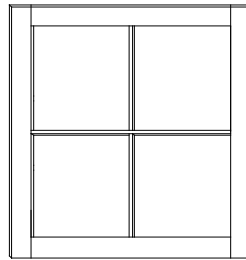
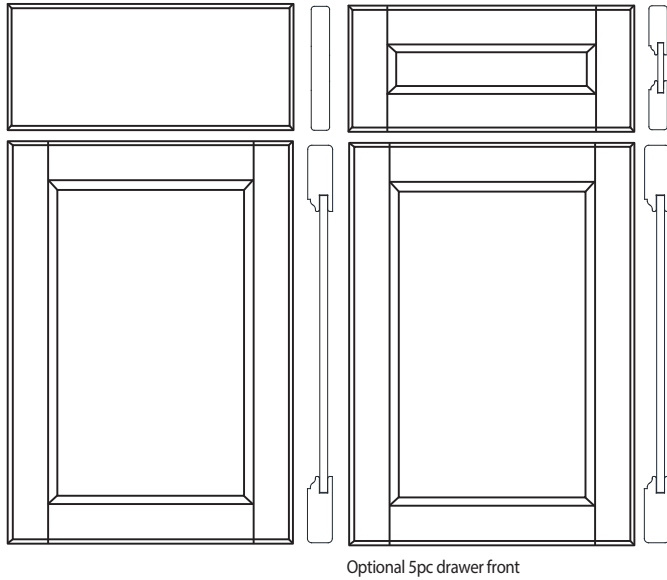
Design Considerations

- 1 5/16" of height remains on a 6" high front insert mounting a handle/knob.

Options	Available	Notes
Mullion Doors	Yes	Not available in HDF. Mullions ordered in HDF will be made of Maple.
No Insert (prep for glass) doors	Yes	
5-Piece Drawer Front	Yes	+\$54/drawer on order
Wainscot Panel	Yes	

Species Availability and Price Grade								
Species	Red Oak	Rustic Alder	Maple	Cherry	Walnut	Rift Oak	HDF	Echo Wood
Price Column	3	3	4	5	n/a	4	3	n/a

Richmond – RCM



Standard Mullions

Grain

- Drawer Front - Horizontal Grain
- Door - Vertical Grain

Door and Drawer Front Specifications

- Frame 3/4" thick, 2 7/8" side, bottom and top rails
- Center panel 3/16" thick Veneer
- Drawer 3/4" thick slab

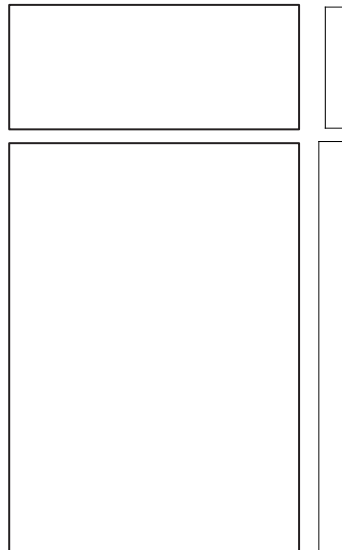
Design Considerations

- 1 5/16" of height remains on a 6" high front insert mounting a handle/knob.

Options	Available	Notes
Mullion Doors	Yes	Not available in HDF. Mullions ordered in HDF will be made of Maple.
No Insert (prep for glass) doors	Yes	
5-Piece Drawer Front	Yes	+\$54/drawer on order
Wainscot Panel	Yes	

Species Availability and Price Grade								
Species	Red Oak	Rustic Alder	Maple	Cherry	Walnut	Rift Oak	HDF	Echo Wood
Price Column	3	3	4	5	n/a	4	3	n/a

Rio – RIO



Grain

- Drawer Front - Vertical Grain
- Door - Vertical Grain

Door and Drawer Front Specifications

- Frame 5/8" thick Melamine
- Center 5/8" thick Melamine
- Drawer 5/8" thick slab

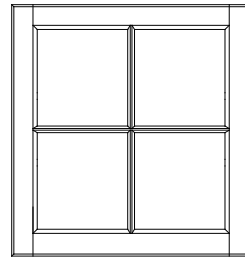
Design Considerations

- The backs of these doors are matching Melamine.

Options	Available	Notes
Mullion Doors	No	
No Insert (prep for glass) doors	No	
Routed Drawer Front	No	
Wainscot Panel	No	

Species Availability and Price Grade	
Species	Textured Melamine
Price Column	1

Saddlebrook – SAL



Standard Mullions

Grain

- Drawer Front - Horizontal Grain
- Door - Vertical Grain

Door and Drawer Front Specifications

- Frame 3/4" thick, 3 5/16" side, bottom and top rails
- Center panel 3/8" solid wood
- Drawer 3/4" thick slab

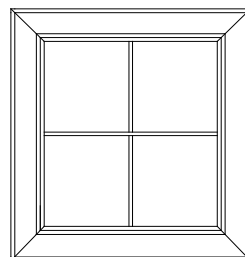
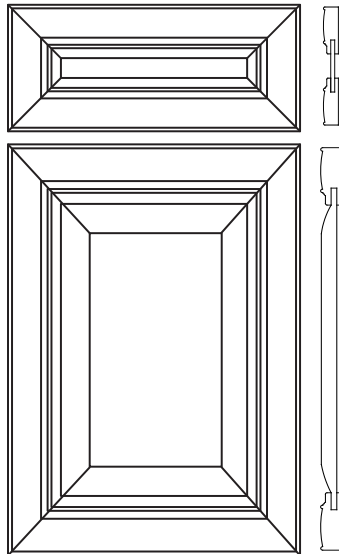
Design Considerations

- 1 5/16" of height remains on a 6" high front insert mounting a handle/knob.

Options	Available	Notes
Mullion Doors	Yes	Not available in HDF. Mullions ordered in HDF will be made of Maple.
No Insert (prep for glass) doors	Yes	
5-Piece Drawer Front	Yes	+\$54/drawer on order
Wainscot Panel	Yes	

Species Availability and Price Grade								
Species	Red Oak	Rustic Alder	Maple	Cherry	Walnut	Rift Oak	HDF	Echo Wood
Price Column	5	5	6	7	8	7	5	n/a

Scotswood – SCT



Standard Mullions

Grain

- Drawer Front - Horizontal Grain
- Door - Vertical Grain

Door and Drawer Front Specifications

- Frame 3/4" thick miter, 2 3/4" side, bottom and top rails
- Center panel 3/4" raised solid wood
- Drawer 5-piece drawer front

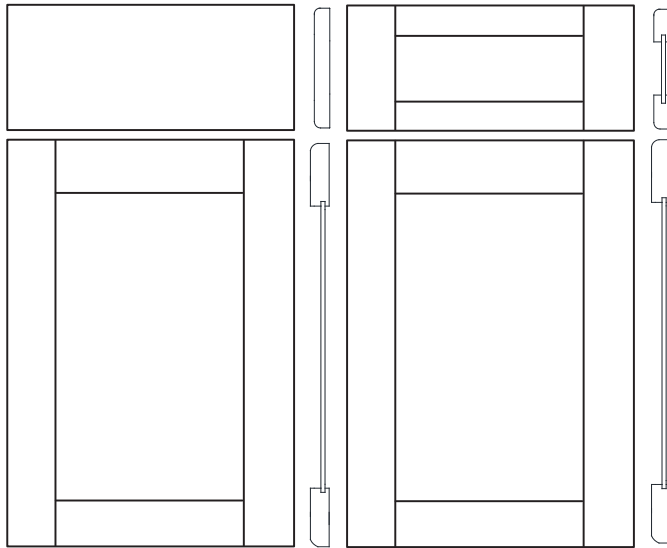
Design Considerations

- 1 5/16" of height remains on a 6" high front insert mounting a handle/knob
- The Scotswood mitered door style will have a Yorkshire door profile on fillers

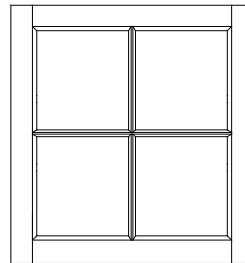
Options	Available	Notes
Mullion Doors	Yes	
No Insert (prep for glass) doors	Yes	
Slab Drawer Front	No	
Wainscot Panel	No	

Species Availability and Price Grade								
Species	Red Oak	Rustic Alder	Maple	Cherry	Walnut	Rift Oak	HDF	Echo Wood
Price Column	6	6	7	7	n/a	n/a	n/a	n/a

St. Charles – STC



Optional 5pc drawer front



Standard Mullions

Grain

- Drawer Front - Horizontal Grain
- Door - Vertical Grain

Door and Drawer Front Specifications

- Frame 3/4" thick, 3 5/16" side, bottom and top rails
- Center panel 3/16" thick Veneer
- Drawer 3/4" thick slab

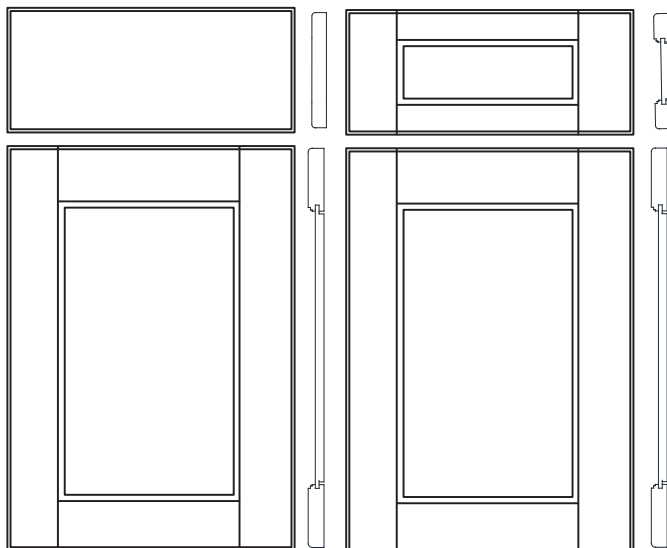
Design Considerations

- 1 5/16" of height remains on a 6" high front insert mounting a handle/knob.

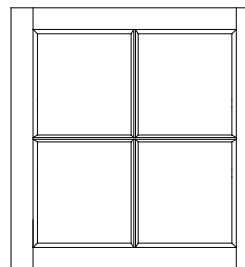
Options	Available	Notes
Mullion Doors	Yes	Not available in Walnut and HDF. Mullions ordered in HDF will be made of Maple.
No Insert (prep for glass) doors	Yes	
5-Piece Drawer Front	Yes	+\$54/drawer on order
Wainscot Panel	Yes	

Species Availability and Price Grade								
Species	Red Oak	Rustic Alder	Maple	Cherry	Walnut	Rift Oak	HDF	Echo Wood
Price Column	4	4	5	6	8	6	4	n/a

Sussex – SUS



Optional 5pc drawer front



Standard Mullions

Grain

- Drawer Front - Horizontal Grain
- Door - Vertical Grain

Door and Drawer Front Specifications

- Frame 3/4" thick, 2 5/16" side, bottom and top rails
- Center panel 1/2" thick reversed raised solid wood
- Drawer 3/4" thick slab

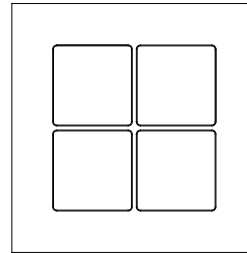
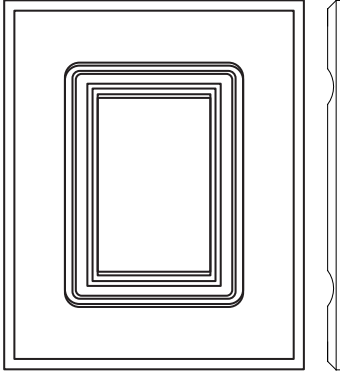
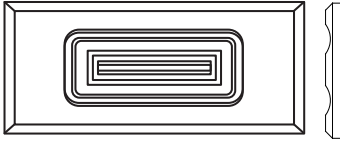
Design Considerations

- 1 5/16" of height remains on a 6" high front insert mounting a handle/knob.

Options	Available	Notes
Mullion Doors	Yes	Not available in Walnut and HDF. Mullions ordered in HDF will be made of Maple.
No Insert (prep for glass) doors	Yes	
5-Piece Drawer Front	Yes	+\$54/drawer on order
Wainscot Panel	Yes	

Species Availability and Price Grade								
Species	Red Oak	Rustic Alder	Maple	Cherry	Walnut	Rift Oak	HDF	Echo Wood
Price Column	4	4	5	6	8	7	4	n/a

Windsor – WIN



Grain

- Drawer Front - Horizontal Grain
- Door - Vertical Grain

Door and Drawer Front Specifications

- Frame 5/8" thick Thermofoil
- Center 5/8" thick Thermofoil
- Drawer 5/8" thick routed drawer front

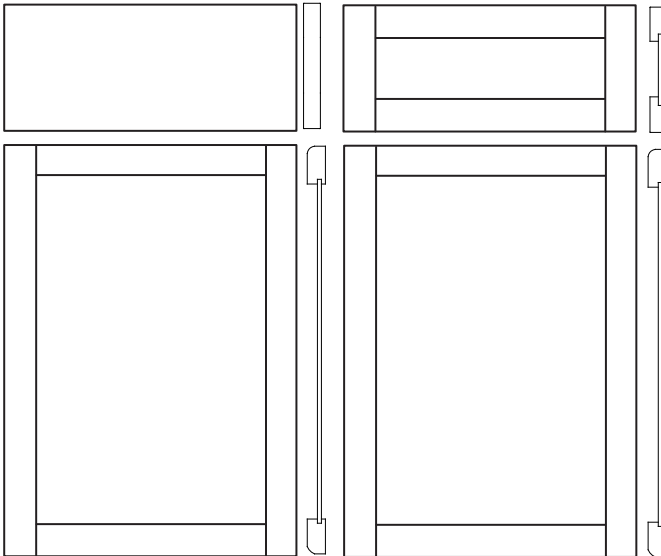
Design Considerations

- The backs of these doors are white Melamine. Back of no insert grooves are painted.
- Thermofoil horizontal fillers can only be made to the length of 96"

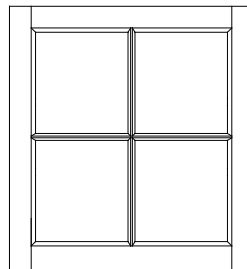
Options	Available	Notes
Mullion Doors	Yes	
No Insert (prep for glass) doors	Yes	
Slab Drawer Front	No	
Wainscot Panel	No	

Species Availability and Price Grade	
Species	Thermofoil
Price Column	1

Yorkshire – YRK



Optional 5pc drawer front



Standard Mullions

Grain

- Drawer Front - Horizontal Grain
- Door - Vertical Grain

Door and Drawer Front Specifications

- Frame 3/4" thick, 2 5/16" side, bottom and top rails
- Center panel 3/16" thick Veneer
- Drawer 3/4" thick slab

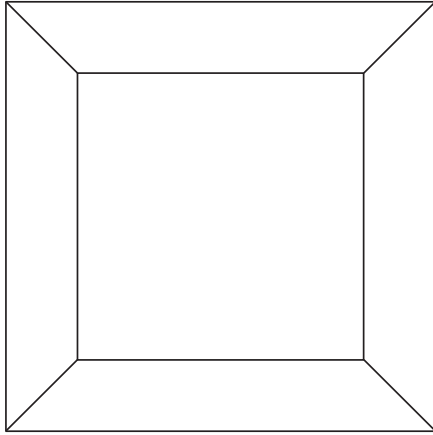
Design Considerations

- 1 5/16" of height remains on a 6" high front insert mounting a handle/knob.

Options	Available	Notes
Mullion Doors	Yes	Not available in Walnut and HDF. Mullions ordered in HDF will be made of Maple.
No Insert (prep for glass) doors	Yes	
5-Piece Drawer Front	Yes	+\$54/drawer on order
Wainscot Panel	Yes	

Species Availability and Price Grade								
Species	Red Oak	Rustic Alder	Maple	Cherry	Walnut	Rift Oak	HDF	Echo Wood
Price Column	1	2	2	3	8	4	1	n/a

Foil Wrapped No Insert – ANI



Grain

- Drawer Front - n/a
- Door - n/a

Door and Drawer Front Specifications

- Frame 3/4" thick foil wrapped mitered HDF
- Rails and stiles are 2 1/4"
- Drawer n/a

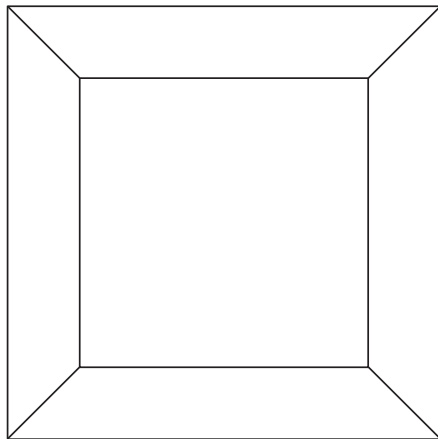
Design Considerations

- Most compatible with Elmhurst, Harbour and Yorkshire, but is available in all shaker style doors.
- Prepped to receive glass, but glass is not included.
- Door comes with a removable protective film.
- **Order:** Add ANI to cabinet code. i.e. W1536ANI
- **Price:** \$54 per door

Species Availability and Price Grade	
Species	Thermofoil
Price Column	available in all price groups

Options	Available	Notes
Mullion Doors	No	
No Insert (prep for glass) doors	Yes	
5-Piece Drawer Front	N/A	+\$54/drawer on order
Wainscot Panel	No	

Aluminum Anodized Natural – No Insert – ALM



Grain

- Drawer Front - n/a
- Door - n/a

Door and Drawer Front Specifications

- Frame 13/16" thick natural anodized Aluminum
- Frame is 2 1/8" wide x 13/16" thick
- Drawer n/a

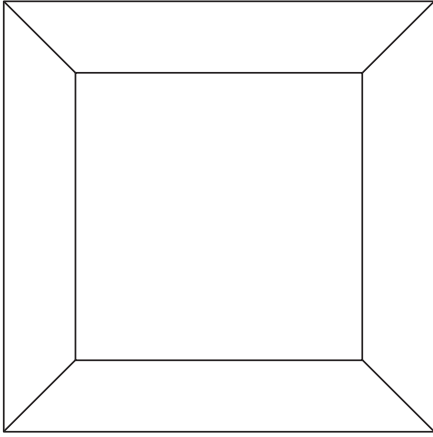
Design Considerations

- Available in standard, no insert Flip Up or Lift Up cabinet styles
- Includes Satin, (acid etch) tempered safety glass
- Doors are pre-drilled for hinges and must be specified, but NOT for hardware. Doors will ship separate from cabinet for field installation
- Hinges ship with cabinet
- Hinging based on standard rules
- **Order:** Use the Aluminum Frame Cabinet Door Quote and Order Form
- **Price:** \$296/sq ft

Species Availability and Price Grade	
Species	Steel
Price Column	available in all price groups

Options	Available	Notes
Mullion Doors	No	
5-Piece Drawer Front	N/A	+\$54/drawer on order
Wainscot Panel	No	

Aluminum Brushed Stainless Steel – No Insert – ALU



Grain

- Drawer Front - n/a
- Door - n/a

Door and Drawer Front Specifications

- Frame $\frac{13}{16}$ " thick brushed Stainless Steel Aluminum
- Frame is 2 $\frac{1}{8}$ " wide x $\frac{13}{16}$ " thick
- Drawer n/a

Design Considerations

- Available in standard, no insert Flip Up or Lift Up cabinet style
- Includes Satin, (acid etch) tempered safety glass
- Doors are pre-drilled for hinges and must be specified, but NOT for hardware. Doors will ship separate from cabinet for field installation
- Hinges ship with cabinet
- Hinging based on standard rules
- **Order:** Use the Aluminum Frame Cabinet Door Quote and Order Form
- **Price:** \$328/sq ft

Species Availability and Price Grade	
Species	Steel
Price Column	available in all price groups

Options	Available	Notes
Mullion Doors	No	
5-Piece Drawer Front	N/A	+\$54/drawer on order
Wainscot Panel	No	

Aluminum Door Program

Unit	ALM	ALU	Unit	ALM	ALU	Unit	ALM	ALU
W10.524(L/R)	834	890	W1833(L/R)	1667	1799	W2440.5(L/R)	2612	2828
W10.527(L/R)	908	971	W1836(L/R)	1837	1981	W2440.5-2	2577	2793
W10.530(L/R)	965	1035	W1838(L/R)	1930	2082	W2442(L/R)	2685	2909
W10.533(L/R)	1071	1148	W1840.5(L/R)	2034	2196	W2442-2	2710	2934
W10.536(L/R)	1193	1277	W1842(L/R)	2100	2268	W2710.5	975	1038
W10.538(L/R)	1232	1321	W19.515(L/R)	951	1016	W2710.524	1100	1163
W10.540.5(L/R)	1290	1384	W19.527(L/R)	1504	1621	W2712	1069	1141
W10.542(L/R)	1341	1439	W19.530(L/R)	1595	1725	W271224	1195	1267
W1215(L/R)	629	669	W19.533(L/R)	1786	1929	W2713.5	1161	1242
W1224(L/R)	926	990	W19.536(L/R)	2001	2157	W2713.524	1292	1373
W1227(L/R)	1007	1079	W19.538(L/R)	2070	2234	W2715	1254	1344
W1230(L/R)	1070	1150	W19.540.5(L/R)	2173	2349	W271524	1370	1460
W1233(L/R)	1191	1279	W19.542(L/R)	2252	2434	W2718	1393	1501
W1236(L/R)	1315	1411	W2115(L/R)	1016	1086	W271824	1546	1654
W1238(L/R)	1372	1473	W2118(L/R)	1126	1210	W2721	1625	1751
W1240.5(L/R)	1447	1555	W2121(L/R)	1295	1393	W272124	1728	1854
W1242(L/R)	1492	1604	W2124(L/R)	1442	1554	W2724	1793	1937
W13.515(L/R)	679	722	W2127(L/R)	1604	1730	W272424	1920	2064
W13.527(L/R)	1079	1157	W2130(L/R)	1700	1840	W2727	1985	2147
W13.530(L/R)	1145	1232	W2133(L/R)	1906	2060	W272724	2137	2299
W13.533(L/R)	1276	1372	W2136(L/R)	2122	2290	W2730	2132	2312
W13.536(L/R)	1413	1517	W2138(L/R)	2209	2386	W2733	2381	2579
W13.538(L/R)	1473	1583	W2140.5(L/R)	2313	2502	W2736	2651	2867
W13.540.5(L/R)	1540	1657	W2142(L/R)	2404	2600	W2738	2752	2980
W13.542(L/R)	1601	1722	W2410.5-2	893	949	W2740.5	2867	3110
W1515(L/R)	757	807	W2410.524-2	1012	1068	W2742	2996	3248
W1518(L/R)	859	919	W2412-2	976	1040	W3010.5	1059	1129
W1521(L/R)	982	1052	W241224-2	1097	1161	W3010.524	1188	1258
W1524(L/R)	1093	1173	W2413.5-2	1060	1132	W3012	1161	1241
W1527(L/R)	1207	1297	W2413.524-2	1182	1254	W301224	1293	1373
W1530(L/R)	1280	1380	W2415(L/R)	1125	1205	W3013.5	1262	1352
W1533(L/R)	1429	1539	W2415-2	1143	1223	W3013.524	1395	1485
W1536(L/R)	1578	1698	W241524-2	1262	1342	W3015	1364	1464
W1538(L/R)	1651	1778	W2418(L/R)	1251	1347	W301524	1478	1578
W1540.5(L/R)	1715	1850	W2418-2	1266	1362	W3018	1518	1638
W1542(L/R)	1797	1937	W241824-2	1418	1514	W301824	1672	1792
W16.515(L/R)	822	877	W2421(L/R)	1441	1553	W3021	1774	1914
W16.518(L/R)	929	995	W2421-2	1478	1590	W302124	1883	2023
W16.521(L/R)	1064	1141	W242124-2	1574	1686	W3024	1959	2119
W16.524(L/R)	1185	1273	W2424(L/R)	1608	1736	W302424	2094	2254
W16.527(L/R)	1306	1405	W2424-2	1627	1755	W3027	2168	2348
W16.530(L/R)	1386	1496	W242424-2	1747	1875	W302724	2328	2508
W16.533(L/R)	1548	1669	W2427(L/R)	1787	1931	W3030	2341	2541
W16.536(L/R)	1707	1839	W2427-2	1802	1946	W3033	2610	2830
W16.538(L/R)	1790	1930	W242724-2	1946	2090	W3036	2895	3135
W16.540.5(L/R)	1873	2022	W2430(L/R)	1897	2057	W3038	3013	3266
W16.542(L/R)	1949	2103	W2430-2	1922	2082	W3040.5	3133	3403
W1815(L/R)	887	947	W2433(L/R)	2127	2303	W3042	3258	3538
W1818(L/R)	1000	1072	W2433-2	2152	2328	W3115	1404	1507
W1821(L/R)	1147	1231	W2436(L/R)	2351	2543	W3118	1570	1694
W1824(L/R)	1276	1372	W2436-2	2389	2581	W3310.5	1141	1218
W1827(L/R)	1404	1512	W2438(L/R)	2465	2668	W3310.524	1278	1355
W1830(L/R)	1490	1610	W2438-2	2490	2693	W3312	1253	1341

Unit	ALM	ALU	Unit	ALM	ALU	Unit	ALM	ALU
W331224	1389	1477	W3712	1405	1503	W4524-3(L/R)	2860	3100
W3313.5	1363	1462	W371224	1559	1657	W4527-2	3081	3351
W3313.524	1503	1602	W3713.5	1528	1639	W4527-3(L/R)	3113	3383
W3315	1475	1585	W3713.524	1685	1796	W4530-2	3390	3690
W331524	1587	1697	W3715	1652	1775	W4530-3(L/R)	3441	3741
W3318	1660	1792	W371524	1759	1882	W4533-2	3758	4088
W331824	1799	1931	W3718	1837	1985	W4533-3(L/R)	3810	4140
W3321	1920	2074	W371824	1995	2143	W4536-2	4182	4542
W332124	2038	2192	W3721	2129	2302	W4536-3(L/R)	4182	4542
W3324	2124	2300	W372124	2285	2457	W4538-2	4323	4703
W332424	2266	2442	W3724	2376	2573	W4538-3(L/R)	4376	4756
W3327	2350	2548	W372424	2538	2735	W4540.5-2	4564	4969
W332724	2519	2717	W372724	2815	3037	W4540.5-3(L/R)	4618	5023
W3330	2551	2771	W3910.5	1343	1434	W4542-2	4713	5133
W3333	2839	3081	W3910.524	1501	1592	W4542-3(L/R)	4768	5188
W3336	3151	3415	W3912	1473	1577	W4824-2	2990	3246
W3338	3276	3554	W391224	1632	1736	W4824-3(L/R)	3027	3283
W3340.5	3408	3705	W3913.5	1602	1719	W4827-2	3263	3551
W3342	3569	3877	W3913.524	1764	1881	W4827-3(L/R)	3296	3584
W3410.5	1180	1259	W3915	1732	1862	W4830-2	3600	3920
W3410.524	1322	1401	W391524	1837	1967	W4830-3(L/R)	3650	3970
W3412	1296	1387	W3918	1926	2082	W4833-2	3988	4340
W341224	1438	1529	W391824	2086	2242	W4833-3(L/R)	4040	4392
W3413.5	1409	1511	W3921	2233	2415	W4836-2	4443	4827
W3413.524	1555	1657	W392124	2396	2578	W4836-3(L/R)	4443	4827
W3415	1524	1638	W3924	2493	2701	W4838-2	4583	4989
W341524	1635	1748	W392424	2661	2869	W4838-3(L/R)	4638	5043
W3418	1703	1839	W3927	2715	2949	W4840.5-2	4841	5273
W341824	1853	1989	W392724	2952	3186	W4840.5-3(L/R)	4896	5328
W3421	1973	2131	W3930	2971	3231	W4842-2	5000	5448
W342124	2106	2265	W3933	3299	3585	W4842-3(L/R)	5054	5502
W3424	2191	2372	W3936	3636	3948	W5124-3(L/R)	3193	3465
W342424	2340	2522	W3938	3799	4128	W5127-3(L/R)	3478	3784
W342724	2599	2803	W3940.5	4035	4386	W5130-3(L/R)	3860	4200
W3610.5	1242	1326	W3942	4141	4505	W5133-3(L/R)	4270	4644
W3610.524	1389	1473	W4210.5	1425	1523	W5136-3(L/R)	4626	5034
W3612	1362	1458	W4210.524	1591	1689	W5138-3(L/R)	4899	5330
W361224	1511	1607	W4212	1565	1677	W5140.5-3(L/R)	5173	5632
W3613.5	1483	1591	W421224	1730	1842	W5142-3(L/R)	5341	5817
W3613.524	1633	1741	W4213.5	1703	1829	W5424-3(L/R)	3358	3646
W3615	1603	1723	W4213.524	1870	1996	W5427-3(L/R)	3661	3985
W361524	1712	1832	W4215	1842	1982	W5430-3(L/R)	4070	4430
W3618	1784	1928	W421524	1945	2085	W5433-3(L/R)	4499	4895
W361824	1943	2087	W4218	2052	2220	W5436-3(L/R)	4887	5319
W3621	2067	2235	W421824	2214	2382	W5438-3(L/R)	5162	5618
W362124	2217	2385	W4221	2381	2577	W5440.5-3(L/R)	5450	5936
W3624	2308	2500	W422124	2550	2746	W5442-3(L/R)	5628	6132
W362424	2464	2656	W4224	2659	2883	W627(L/R)	610	646
W3627	2531	2747	W422424	2834	3058	W630(L/R)	651	691
W362724	2735	2951	W4227	2899	3151	W633(L/R)	714	758
W3630	2761	3001	W422724	3143	3395	W636(L/R)	778	826
W3633	3069	3333	W4230	3181	3461	W638(L/R)	814	864
W3636	3387	3675	W4233	3529	3837	W640.5(L/R)	845	899
W3638	3537	3841	W4236	3884	4220	W642(L/R)	884	940
W3640.5	3687	4011	W4238	4060	4415	W7.527(L/R)	709	754
W3642	3855	4191	W4240.5	4308	4686	W7.530(L/R)	755	805
W3710.5	1281	1368	W4242	4427	4819	W7.533(L/R)	833	888
W3710.524	1434	1521	W4524-2	2676	2900	W7.536(L/R)	911	971

Unit	ALM	ALU	Unit	ALM	ALU	Unit	ALM	ALU
W7.538(L/R)	954	1017	WEDE1338	2704	2915	WLU212424	2322	2434
W7.540.5(L/R)	1003	1070	WEDE1340.5	2842	3067	WLU2415	1643	1723
W7.542(L/R)	1037	1107	WEDE1342	2928	3162	WLU241524	1772	1852
W927(L/R)	809	863	WFLU2115	1383	1453	WLU2418	1810	1906
W930(L/R)	860	920	WFLU211524	1488	1558	WLU241824	2011	2107
W933(L/R)	952	1018	WFLU2118	1528	1612	WLU2421	1977	2089
W936(L/R)	1036	1108	WFLU211824	1692	1776	WLU242124	2249	2361
W938(L/R)	1093	1169	WFLU2121	1673	1771	WLU2424	2145	2273
W940.5(L/R)	1134	1215	WFLU212124	1895	1993	WLU242424	2483	2611
W942(L/R)	1189	1273	WFLU2124	1819	1931	WLU2715	1748	1838
WA2124(L/R)	1290	1370	WFLU212424	2091	2203	WLU271524	1877	1967
WA2215(L/R)	777	818	WFLU2415	1484	1564	WLU2718	1934	2042
WA2218(L/R)	952	1001	WFLU241524	1589	1669	WLU271824	2135	2243
WA2221(L/R)	1045	1102	WFLU2418	1648	1744	WLU2721	2119	2245
WA2227(L/R)	1159	1233	WFLU241824	1812	1908	WLU272124	2391	2517
WA2230(L/R)	1287	1368	WFLU2421	1811	1923	WLU2724	2305	2449
WA2233(L/R)	1414	1504	WFLU242124	2033	2145	WLU272424	2644	2788
WA2236(L/R)	1542	1640	WFLU2424	1975	2103	WLU3015	1853	1953
WA2238R	1627	1730	WFLU242424	2247	2375	WLU301524	1982	2082
WA2240.5R	1740	1850	WFLU2715	1585	1675	WLU3018	2058	2178
WA2242R	1826	1940	WFLU271524	1690	1780	WLU301824	2258	2378
WA2415(L/R)	874	924	WFLU2718	1767	1875	WLU3021	2261	2401
WA2418(L/R)	1071	1131	WFLU271824	1931	2039	WLU302124	2533	2673
WA2421(L/R)	1181	1251	WFLU2721	1949	2075	WLU3024	2466	2626
WA2424(L/R)	1315	1395	WFLU272124	2171	2297	WLU302424	2804	2964
WA2427(L/R)	1329	1419	WFLU2724	2132	2276	WLU3315	1964	2074
WA2430(L/R)	1474	1574	WFLU272424	2404	2548	WLU331524	2117	2227
WA2430(L/R)LS18-2	1721	1821	WFLU3015	1686	1786	WLU3318	2182	2314
WA2430(L/R)WLS18-2	2255	2355	WFLU301524	1791	1891	WLU331824	2412	2544
WA2433(L/R)	1624	1734	WFLU3018	1887	2007	WLU3321	2399	2553
WA2433(L/R)LS18-2	1872	1982	WFLU301824	2051	2171	WLU332124	2683	2837
WA2433(L/R)WLS18-2	2406	2516	WFLU3021	2087	2227	WLU3324	2623	2799
WA2436(L/R)	1776	1896	WFLU302124	2309	2449	WLU332424	2964	3140
WA2436(L/R)LS18-3	2087	2207	WFLU3024	2288	2448	WLU3615	2072	2192
WA2436(L/R)WLS18-3	2732	2852	WFLU302424	2560	2720	WLU361524	2245	2365
WA2438(L/R)	1873	2000	WFLU3315	1793	1903	WLU3618	2308	2452
WA2438(L/R)LS18-3	2184	2311	WFLU331524	1919	2029	WLU361824	2537	2681
WA2438(L/R)WLS18-3	2860	2986	WFLU3318	2008	2140	WLU3621	2544	2712
WA2440.5(L/R)	1999	2134	WFLU331824	2197	2329	WLU362124	2832	3000
WA2440.5(L/R)LS18-3	2310	2445	WFLU3321	2229	2383	WLU3624	2786	2978
WA2440.5(L/R)WLS18-3	2956	3091	WFLU332124	2450	2604	WLU362424	3124	3316
WA2442(L/R)	2095	2235	WFLU3324	2448	2624			
WA2442(L/R)LS18-3	2406	2546	WFLU332424	2720	2896			
WA2715(L/R)	956	1006	WFLU3615	1899	2019			
WA2718(L/R)	1113	1173	WFLU361524	2041	2161			
WA2721(L/R)	1243	1313	WFLU3618	2132	2276			
WA2724(L/R)	1339	1419	WFLU361824	2320	2464			
WA2727(L/R)	1366	1456	WFLU3621	2475	2643			
WA2730(L/R)	1512	1612	WFLU362124	2601	2769			
WA2733(L/R)	1660	1770	WFLU3624	2614	2806			
WA2736(L/R)	1809	1929	WFLU362424	2881	3073			
WA2738(L/R)	1904	2030	WLU2115	1537	1607			
WA2740.5(L/R)	2031	2166	WLU211524	1667	1737			
WA2742(L/R)	2126	2266	WLU2118	1687	1771			
WEDE1327	1902	2052	WLU211824	1887	1971			
WEDE1330	2157	2323	WLU2121	1835	1933			
WEDE1333	2367	2550	WLU212124	2107	2205			
WEDE1336	2591	2791	WLU2124	1984	2096			

Door, Drawer Front and False Fronts Only

Door Only

1	2	3	4	5	6	7	8
119	133	142	161	173	190	220	265

Notes:

- Door will come undrilled for hinges unless hinging is specified
- Hinges not included

How to Order:

- For a door only, specify DR in front of code i.e. DRW1230 HL

No Insert Doors

1	2	3	4	5	6	7	8
119	133	142	161	173	190	220	265

Notes:

- Door will come undrilled for hinges unless hinging is specified
- Hinges not included

How to Order:

- For a no-insert door, specify DRNI in front of code i.e. DRNIB30 HL

Slab Front Only

1	2	3	4	5	6	7	8
70	78	83	93	101	110	128	153

- Rio, Cottonwood, Highland, Highland Horizontal, Aura, Canongate, Ashburn, Cantum, Lucent, and Metro are not available in 5 piece or routed fronts
- Refer to door style section for availability
- Specify DFS in front of code for slab front i.e. DFSB30
- Specify FFS on front of code for slab false front i.e. FFSB30
- False fronts will be drilled for false front clips (clips not included)

3P, 5P & Routed Fronts Only

1	2	3	4	5	6	7	8
124	132	137	147	155	164	182	207

Notes:

- Refer to door style section for availability
- Mystique is only available in 3 piece front
- False fronts will be drilled for false front clips (clips not included)

How to Order:

- For Mystique, specify DF3P in front of code for 3 piece front i.e. DF3PB30
- Specify DF5P in front of code for 5 piece wood or routed HDF front i.e. DF5PB30
- For bank of drawers, specify the location for the drawer i.e. DFSBD303VMiddle

Door Sets

	1	2	3	4	5	6	7	8
BCCQ Set	407	456	488	549	590	651	753	904
BCCQ FH Set	268	301	322	362	389	430	496	596
BE & VE Sets	188	211	226	254	272	301	348	418

Notes:

- Door sets include: door, drawer fronts, hinges and drilling
- Door and drawer front sets can be ordered for Base Corner Corner, Base End, and Vanity Ends

How to Order:

- Specify DRS in front of code i.e. DRSBCCQ33 HR

Aluminum Foil Wrapped Door (ANI)
Door only price - no insert = \$156

Notes:

- Door will come undrilled for hinges unless hinging is specified
- Hinges not included

How to Order:

- For an aluminum no-insert door, use ANI at the back of code
i.e. DRW1536ANI Hinge R

Aluminum Frame Doors (ALM or ALU)

No Insert ALM Door = \$296/sq ft.

No Insert ALU Door = \$328/sq ft.

Notes:

- Door will come undrilled for hinges unless hinging is specified
- Hinges not included

How to Order:

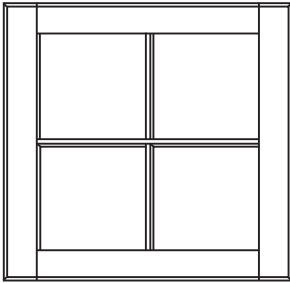
- For an aluminum door, use ALM or ALU at the back of code i.e.
DRW1536ALM Hinge R

Door Hinge Amounts

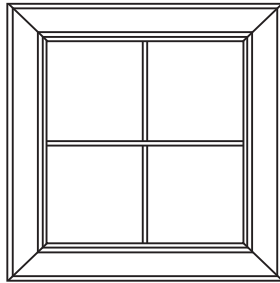
Door Height (Inches)	Amount of Hinges
10.5" high door to 36" high door	2 Hinges
38" high door to 42" high door	3 Hinges

Mullion Doors

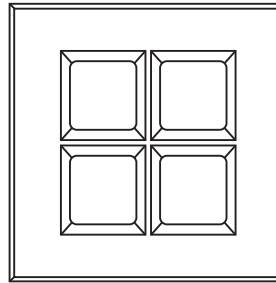
Standard Mullion Door Configuration



Mortise and Tenon Door Styles



Miter Door Styles



Thermofoil Door Styles

Notes:

- Mullion Doors are not available in Walnut and HDF. Mullions ordered in HDF will be made of Maple
- Glass not included

Mullion Door Lites

Mullion Door Lites	Door Width	
	12" to 19.999"	20" +
Door Height (in)		
Up to 21.499"	4 Lites	6 Lites
21.500" to 39.499"	6 Lites	9 Lites
39.500" to 51.499"	8 Lites	12 Lites
51.500" to 57.500"	10 Lites	15 Lites
Note: - Minimum Width of a Mullion door is 12"		

Mullion Door Pricing - Installed

	1	2	3	4	5	6	7	8
Installed Wood Doors	316	316	348	348	348	381	445	545
Installed Foil Doors	316	316	316	316	n/a	n/a	n/a	n/a
Installed Acrylic Doors	n/a	n/a	n/a	n/a	n/a	n/a	n/a	n/a

Order: For a mullion door, specify DRMU in front of code i.e. DRMUB30 hinge R

Price: Add to price of cabinet

Door will come undrilled for hinges, unless hinging is specified

Mullion Door Pricing - Door Only

	1	2	3	4	5	6	7	8
Wood Doors Only	435	449	491	510	542	571	666	810
Foil Doors Only	435	449	459	477	n/a	n/a	n/a	n/a
Acrylic Doors Only	n/a	n/a	n/a	n/a	n/a	n/a	n/a	n/a

Door & No Insert Door Size Chart

WIDTH	(IMP) (METRIC)	5 7/8" 149	8" 203	8 9/32" 210	8 21/32" 220	8 27/32" 225	10 13/32" 264	10 31/32" 279	11 3/8" 289	11 1/2" 292	11 7/8" 302	12 1/4" 311	
HEIGHT													
(IMP)	(METRIC)												
10 7/16"	265											STD(SC)	
11 7/8"	302											STD(SC)	
13 7/16"	341												
14 29/32"	379											STD(SC)	STD(SC)
17 29/32"	455											STD(SC)	STD(SC)
20 29/32"	531											STD(SC)	STD(SC)
23 15/16"	608		BCC			STD(S)	STD(SC)	BCC		STD(S)	STD(SC)	STD(SC)	
26 15/16"	684											STD(SC)	STD(SC)
29 29/32"	760	STD(S)	BCC	WCC	STD(SC)	STD(SC)	STD(SC)	BCC	WCC	STD(S)	STD(SC)	STD(SC)	
31 11/32"	796											STD(S)	STD(S)
31 27/32"	809											STD(S)	STD(S)
32 7/8"	835	STD(S)	BCC	WCC	STD(SC)	STD(SC)	STD(SC)	BCC	WCC	STD(S)	STD(SC)	STD(SC)	
33 3/8"	848											STD(S)	STD(S)
35 29/32"	912	STD(S)			STD(SC)	STD(SC)	STD(SC)		WCC		STD(SC)	STD(SC)	
37 29/32"	963	STD(S)	BCC	WSS	STD(SC)	STD(SC)	STD(SC)	BCC	WCC	STD(S)	STD(SC)	STD(SC)	
40 7/16"	1027	STD(S)			STD(SC)	STD(SC)	STD(SC)		WCC		STD(SC)	STD(SC)	
41 15/16"	1065	STD(S)	STD(S)	STD(S)	STD(S)	STD(S)	STD(S)	STD(S)	STD(S)	STD(S)	STD(SC)	STD(SC)	
47 29/32"	1217											STD(SC)	
52 7/16"	1332											STD(SC)	

DOOR CHART ABBREVIATIONS:

STD(S) - STANDARD SQUARE DOOR

STD(SC) - STANDARD SQUARE & ARCHED DOOR

WCC/BCC - CORNER CABINET DOOR

Any Door/Drawer Front Size not listed will be custom and will have a custom upcharge

DRAWER FRONT SIZE

WIDTH	(IMP) (METRIC)	5 29/32" 150	7 3/8" 187	8" 203	8 27/32" 225	10 13/32" 264	10 31/32" 279	11 1/2" 292	11 7/8" 302	13 3/8" 340	13 31/32" 355	14 7/8" 378
HEIGHT												
(IMP)	(METRIC)											
3 29/32"	99									STD		STD
5 29/32"	150	STD	STD	BCC	STD	STD	BCC	STD	STD	STD	BCC	STD
8 27/32"	225								STD	STD		STD
10 13/32"	264				STD				STD	STD		STD
11 27/32"	301				STD				STD	STD		STD
13 3/8"	340											STD

Door & No Insert Door Size Chart

13 3/8" 340	13 31/32" 355	14 7/8" 378	15 11/32" 390	15 7/8" 403	16 3/8" 416	16 7/8" 429	17 7/8" 454	18 3/8" 467	19 3/8" 492	20 1/32" 509	20 7/8" 530	23 29/32" 608
STD(SC)		STD(SC)			STD(SC)		STD(SC)		STD(SC)		STD(SC)	
STD(SC)		STD(SC)			STD(SC)		STD(SC)		STD(SC)		STD(SC)	
		STD(SC)			STD(SC)	STD(SC)	STD(SC)	STD(SC)				
STD(SC)		STD(SC)			STD(SC)	STD(SC)	STD(SC)	STD(SC)	STD(SC)		STD(SC)	
STD(SC)		STD(SC)	STD(SC)		STD(SC)	STD(SC)	STD(SC)	STD(SC)	STD(SC)		STD(SC)	STD(SC)
STD(SC)		STD(SC)		STD(S)	STD(SC)	STD(SC)	STD(SC)	STD(SC)	STD(SC)		STD(SC)	STD(SC)
STD(SC)	BCC	STD(SC)		STD(SC)	STD(SC)	STD(SC)	STD(SC)	STD(SC)	STD(SC)	STD(SC)	STD(SC)	STD(SC)
STD(SC)		STD(SC)			STD(SC)		STD(S)		STD(S)		STD(S)	STD(S)
STD(SC)		STD(SC)			STD(SC)		STD(S)		STD(S)		STD(S)	STD(S)
STD(S)		STD(S)			STD(S)		STD(S)				STD(S)	STD(S)
STD(S)		STD(S)			STD(S)		STD(S)				STD(S)	STD(S)
STD(SC)	BCC	STD(SC)		STD(SC)	STD(SC)	STD(SC)	STD(SC)	STD(SC)	STD(SC)	STD(SC)	STD(SC)	STD(SC)
STD(S)		STD(S)			STD(S)		STD(S)				STD(S)	STD(S)
STD(SC)		STD(SC)		STD(SC)	STD(SC)		STD(SC)		STD(SC)		STD(SC)	STD(SC)
STD(SC)	BCC	STD(SC)	STD(SC)	STD(SC)	STD(SC)	STD(SC)	STD(SC)	STD(SC)	STD(SC)	STD(SC)	STD(SC)	STD(SC)
STD(SC)		STD(SC)		STD(SC)	STD(SC)		STD(SC)		STD(SC)		STD(SC)	STD(SC)
STD(SC)	STD(SC)	STD(SC)	STD(SC)	STD(SC)	STD(SC)	STD(SC)	STD(SC)	STD(SC)	STD(SC)	STD(SC)	STD(SC)	STD(SC)
		STD(SC)					STD(SC)				STD(SC)	
		STD(SC)					STD(SC)				STD(SC)	

DOOR STYLES

DOOR CHART ABBREVIATIONS:
STD(S) - STANDARD SQUARE DOOR
STD(SC) - STANDARD SQUARE & ARCHED DOOR
WCC/BCC - CORNER CABINET DOOR

Any Door/Drawer Front Size not listed will be custom and will have a custom upcharge

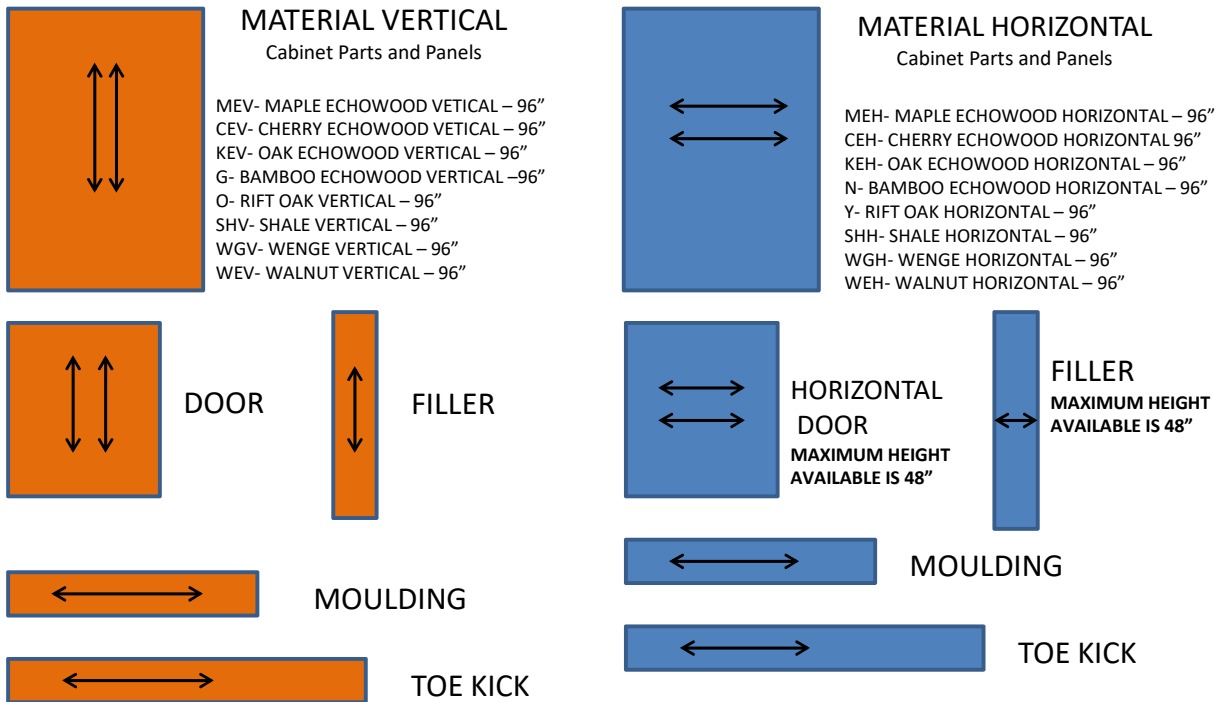
DRAWER FRONT SIZE

15 7/8" 403	16 3/8" 416	17 7/8" 454	19 3/8" 492	20 1/32" 509	20 7/8" 530	23 29/32" 608	24 13/32" 620	26 7/8" 683	29 7/8" 759	32 7/8" 835	35 7/8" 911
	STD	STD				STD		STD	STD		STD
STD	STD	STD	STD	STD	STD	STD	STD	STD	STD	STD	STD
	STD	STD	STD		STD	STD		STD	STD	STD	
	STD	STD	STD		STD	STD		STD	STD		
	STD	STD	STD		STD	STD		STD	STD	STD	STD
		STD			STD						

ECHOWOOD

Vertical Grain vs. Horizontal Grain

Where Available



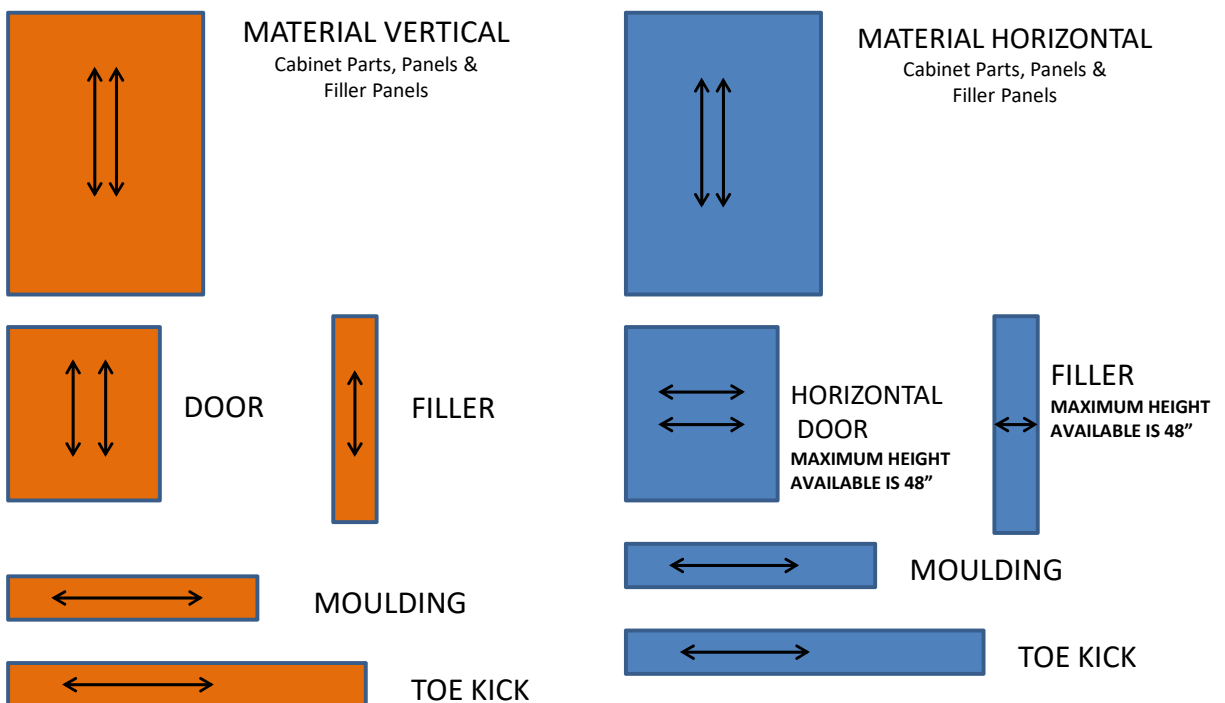
DESIGN CONSIDERATIONS:

- Cabinet parts, panels and WSFV (Wood Slab Filler Veneers) are 5/8" thick and will be horizontal
- Any fillers that are 3/4" thick will be horizontal to a maximum height of 48"

THERMOFOIL & MELAMINE

Vertical Grain vs. Horizontal Grain

Where Available



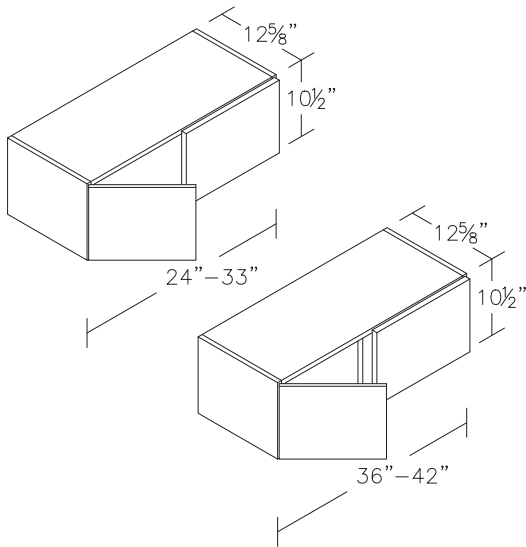
Wall Cabinets

Refer to pages D.10-D.39 for specific door style information.

10½" High.....	W.2	Angle Wall with 3 Drawers, Slab Front	W.53
12" High	W.2	Wall Square Corner	W.54
13½" High.....	W.2	Wall Asymmetrical Square Corner	W.55
15" High	W.3	Wall Square Corner, Centre Hinge.....	W.56
15" High Flip Up.....	W.4	Angle Wall Inside Junction	W.57
15" High Lift Up	W.4	Angle Wall Outside Junction	W.57
18" High	W.5	Wall End.....	W.57
18" High Flip Up.....	W.6	Wall End Double Entry	W.58
18" High Lift Up	W.6	Diagonal Wall End/Wall Triangle	W.58
21" High	W.7	Microwave/TV Cabinet Units.....	W.59-62
21" High Flip Up.....	W.8	Wall Microwave Open Shelf Units.....	W.63-64
21" High Lift Up	W.8	Wall Built-in Microwave Units.....	W.65-69
24" High	W.9	Wall Drawer Microwave with Open Shelf	W.70
24" High Flip Up.....	W.10	Wall Drawer Microwave with Open Shelf, Slab Front.....	W.71
24" High Lift Up	W.10	Wall Desk Letter Slot (Melamine).....	W.72
27" High	W.11	Wall Desk Letter Slot (Veneer).....	W.73
30" High	W.12	Wall Wine Scallop Combination.....	W.74
33" High	W.13	Wall Criss Cross Wine Rack Combination	W.75
36" High	W.14	Wall X Wine Rack Combination	W.76
36" High Dual Insert.....	W.15	Wall Open Fret.....	W.76
38" High	W.16	Wall Plate Fret... ..	W.77
38" High Dual Insert.....	W.17	Wall Pocket Door.....	W.77
40½" High.....	W.18	Plate Rack Cabinet	W.78
40½" High Dual Insert	W.19	Desk Letter Slot Horizontal.....	W.78
42" High Wall.....	W.20	Desk Letter Slot Vertical.....	W.78
42" High Dual Insert.....	W.21	Spice Drawer Horizontal.....	W.79
Wall Stacked	W.22-30	Spice Drawer Vertical.....	W.79
Wall with 1 Drawer	W.31	Criss Cross Wine Racks	W.80
Wall with 1 Drawer, Split Door	W.32	Wall Wine Combination.....	W.80
Wall with 1 Drawer, Slab Front	W.33	X Wine Rack	W.81
Wall with 1 Drawer, Split Door, Slab Front.....	W.34	Wine Shelf	W.81
Wall with 3 Drawers	W.35	Wine Glass Holder Set	W.81
Wall with 3 Drawers, Slab Front.....	W.35	Stacked Wall with Appliance Garage Lift Door.....	W.82-83
Wall Storage Drawer - 3 Drawers.....	W.36	Appliance Garage Lift Door.....	W.84
Wall Storage Drawer - 3 Drawers, Slab Front.....	W.36	Wall with Appliance Garage Lift Door	W. 85-86
Refrigerator Wall Units.....	W.37-42	Open Wall End Cabinets.....	W.87
Wall Corner (Blind Cabinet) Units.....	W.42-45	Open Wall End Cabinet/Wall Triangle Open Shelf	W.88
Angle Wall Units	W.46-47	Wall Furniture Bookcase with Frame	W.89-90
Angle Wall Stacked Units	W.48-49	Wall Furniture Bookcase with Frame, No Insert Selves	W.91-92
Angle Wall Microwave Unit	W.50		
Angle Wall with Garage Below	W.51		
Angle Lazy Susan	W.52		
Angle Wall with 3 Drawers	W.53		

wall cabinets

10 1/2" High

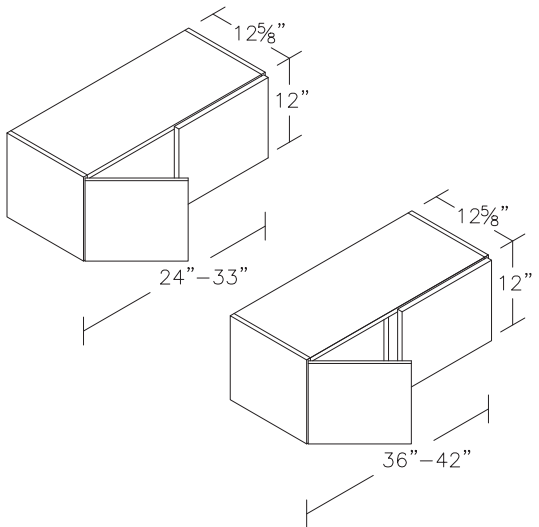


	1	2	3	4	5	6	7	8
W2410.5-2	327	366	392	441	473	523	604	725
W2710.5	342	384	411	462	496	548	633	760
W3010.5	358	401	430	484	519	573	662	795
W3310.5	373	418	448	504	542	598	692	830
W3410.5	389	436	467	525	565	623	721	864
W3610.5	405	453	486	547	588	648	750	900
W3710.5	421	471	504	568	610	673	778	934
W3910.5	437	489	524	590	632	698	807	969
W4210.5	452	506	543	610	655	724	836	1004

PRODUCT DETAILS

- 2 doors
- No shelf
- 36" and above widths have a center stile
- Door overhang (DO) option available

12" High

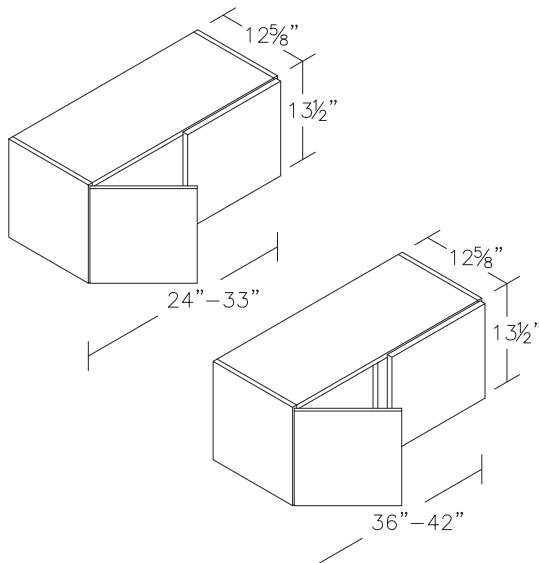


W2412-2	335	375	402	452	486	537	620	745
W2712	350	393	421	474	509	562	649	779
W3012	367	411	440	495	531	587	678	814
W3312	383	428	459	516	554	612	707	849
W3412	398	446	477	538	577	636	736	884
W3612	414	464	496	558	600	661	765	918
W3712	430	480	515	579	623	687	795	954
W3912	445	498	535	601	646	712	824	988
W4212	461	516	553	622	668	737	853	1023

PRODUCT DETAILS

- 2 doors
- No shelf
- 36" and above widths have a center stile
- Door overhang (DO) option available

13 1/2" High



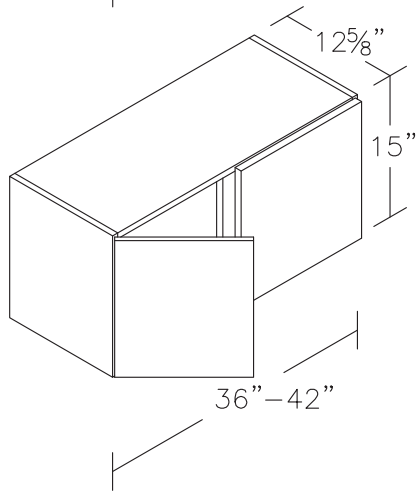
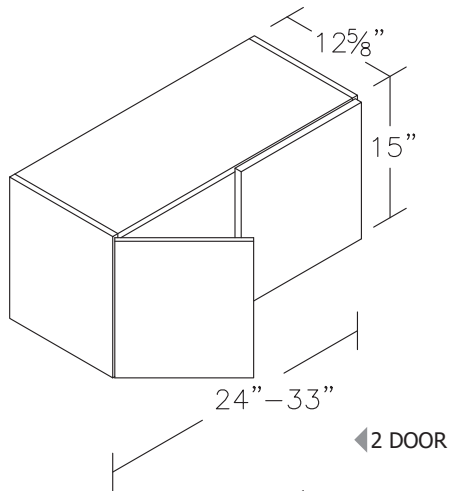
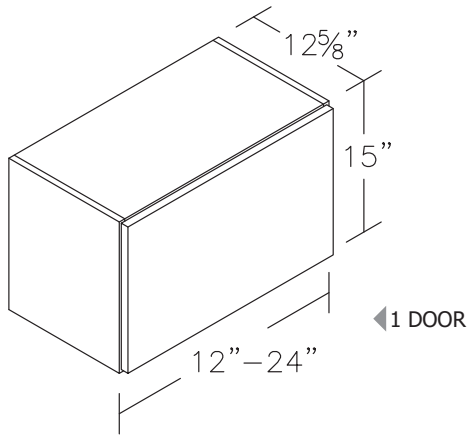
W2413.5-2	343	384	412	463	497	548	634	761
W2713.5	359	401	431	484	520	574	664	796
W3013.5	374	419	449	505	543	599	693	831
W3313.5	390	437	468	526	566	624	722	865
W3413.5	406	454	487	548	589	649	751	901
W3613.5	421	472	505	569	610	674	779	935
W3713.5	437	490	524	590	633	699	808	970
W3913.5	452	506	543	612	656	724	837	1005
W4213.5	468	524	562	632	679	750	866	1040

PRODUCT DETAILS

- 2 doors
- No shelf
- 36" and above widths have a center stile
- Door overhang (DO) option available

wall cabinets

15" High



	1	2	3	4	5	6	7	8
W1215(L/R)	226	253	271	305	328	362	418	502
W13.515(L/R)	241	270	290	327	350	387	447	537
W1515(L/R)	258	288	309	347	373	412	476	571
W16.515(L/R)	274	306	328	369	396	437	505	606
W1815(L/R)	289	323	346	390	419	462	535	641
W19.515(L/R)	305	341	365	411	442	487	564	676
W2115(L/R)	320	359	384	433	464	513	593	710
W2415(L/R)	336	376	404	453	487	538	621	746
W2415-2	352	394	422	474	510	563	650	780
W2715	367	411	441	496	532	588	679	815
W3015	383	428	460	517	555	613	708	850
W3115	390	437	469	527	566	625	722	867
W3315	398	446	478	538	578	638	737	885
W3415	414	464	497	560	601	662	766	919
W3615	430	482	516	580	623	687	796	955
W3715	445	499	535	601	646	713	825	989
W3915	462	517	553	623	669	738	854	1024
W4215	477	535	572	644	692	763	882	1059

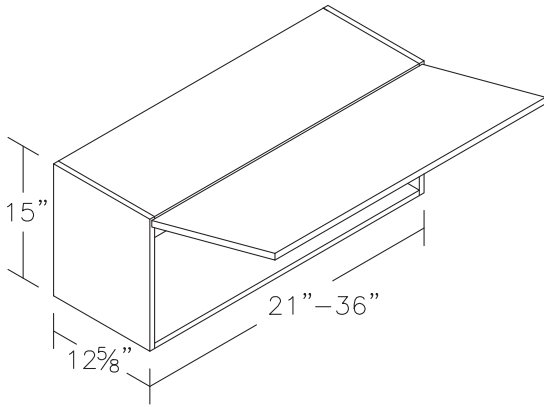
PRODUCT DETAILS

- No shelf
- 36" and above widths have a center stile
- Indicate hinge left (HL) or hinge right (HR) ONLY for single door cabinets
- Door overhang (DO) option available

(L/R) specify L (hinge left) or R (hinge right) to cabinet code

WALL

15" High Flip Up



WFLU2115	634	713	766	865	932	1031	1197	1443
WFLU2415	644	723	776	875	942	1041	1207	1453
WFLU2715	654	733	786	885	952	1051	1217	1463
WFLU3015	664	743	796	895	962	1061	1227	1473
WFLU3315	676	757	811	912	980	1082	1250	1500
WFLU3615	687	770	825	928	996	1099	1271	1526

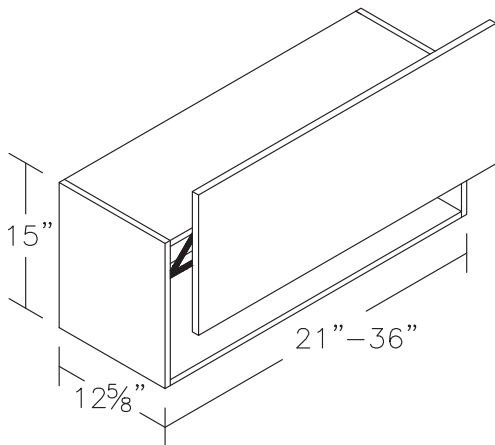
PRODUCT DETAILS

- 1 door
- No shelf
- No center stile
- Includes lid stay
- Door overhang (DO) option available
- Uses BLUM hardware

DESIGN CONSIDERATIONS

- Allow 7" of free space from the top of the cabinet to allow for the door to open completely
- Minimum cabinet height=10"
Minimum cabinet width=9"
Minimum cabinet depth=12"

15" High Lift Up



WLU2115	764	861	926	1047	1128	1250	1452	1751
WLU2415	779	876	941	1062	1143	1265	1467	1766
WLU2715	794	891	956	1077	1158	1280	1482	1781
WLU3015	809	906	971	1092	1173	1295	1497	1796
WLU3315	825	924	990	1113	1196	1320	1526	1831
WLU3615	838	939	1006	1132	1215	1341	1551	1861

PRODUCT DETAILS

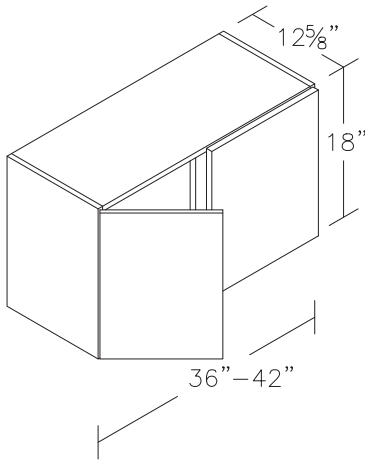
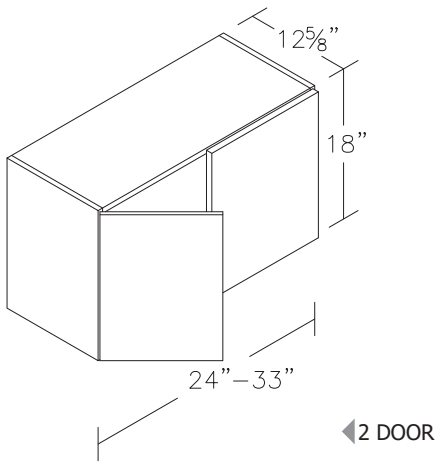
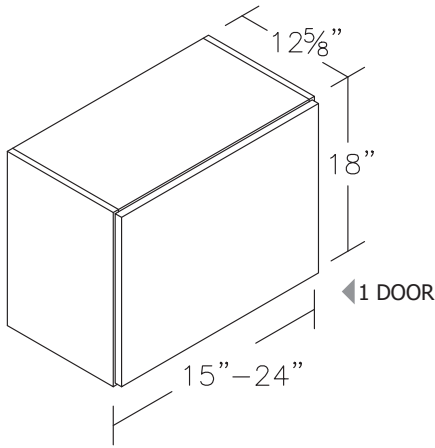
- 1 door
- No shelf
- No center stile
- Door overhang (DO) option available
- Uses BLUM hardware

DESIGN CONSIDERATIONS

- Allow 16 1/2" of free space from the top of the cabinet to allow for the door to open completely
- Minimum cabinet height=12"
Minimum cabinet width=9"
Minimum cabinet depth=12"

wall cabinets

18" High



	1	2	3	4	5	6	7	8
W1518(L/R)	265	296	318	358	384	424	490	589
W16.518(L/R)	278	311	334	375	404	445	514	617
W1818(L/R)	291	326	349	393	422	466	539	646
W2118(L/R)	304	340	365	411	441	487	563	675
W2418(L/R)	317	355	381	427	460	508	587	703
W2418-2	330	369	396	445	478	528	610	732
W2718	343	384	412	463	497	548	634	761
W3018	356	398	427	480	516	569	658	790
W3118	369	413	443	498	535	590	682	818
W3318	382	427	459	516	553	610	706	848
W3418	388	435	466	524	563	621	718	862
W3618	395	442	474	532	572	631	730	877
W3718	408	457	489	550	592	652	754	905
W3918	421	471	504	568	610	673	778	934
W4218	434	486	520	586	629	694	803	963

PRODUCT DETAILS

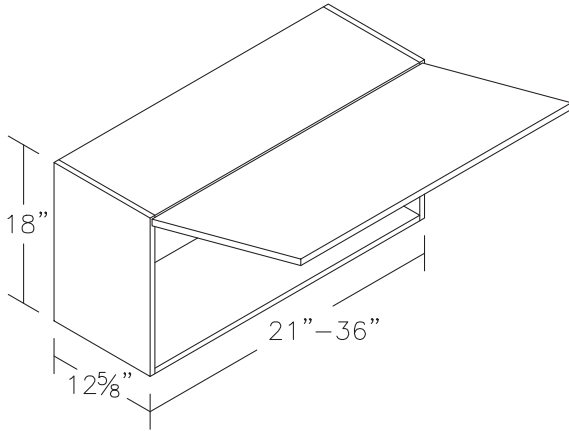
- No shelf
- 36" and above widths have a center stile
- Indicate hinge left (HL) or hinge right (HR) ONLY for single door cabinets
- Door overhang (DO) option available

(L/R) specify L (hinge left) or R (hinge right) to cabinet code

wall cabinets

1 2 3 4 5 6 7 8

18" High Flip Up



WFLU2118	647	728	782	884	952	1053	1222	1473
WFLU2418	657	738	792	894	962	1063	1232	1483
WFLU2718	667	748	802	904	972	1073	1242	1493
WFLU3018	677	758	812	914	982	1083	1252	1503
WFLU3318	686	769	823	926	994	1097	1269	1523
WFLU3618	697	781	837	941	1011	1116	1290	1548

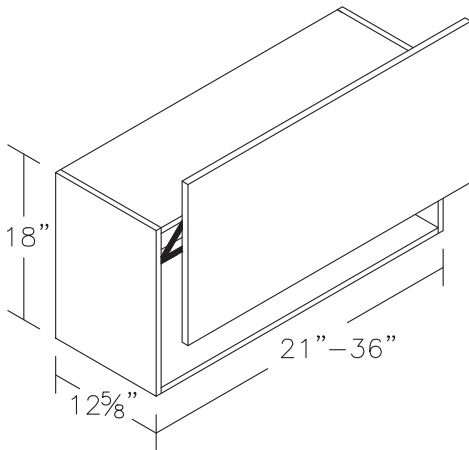
PRODUCT DETAILS

- 1 door
- No shelf
- No center stile
- Includes lid stay
- Door overhang (DO) option available
- Uses BLUM hardware

DESIGN CONSIDERATIONS

- Allow 7" of free space from the top of the cabinet to allow for the door to open completely
- Minimum cabinet height=10"
Minimum cabinet width=9"
Minimum cabinet depth=12"

18" High Lift Up



WLU2118	781	880	946	1070	1152	1276	1483	1788
WLU2418	796	895	961	1085	1167	1291	1498	1803
WLU2718	811	910	976	1100	1182	1306	1513	1818
WLU3018	826	925	991	1115	1197	1321	1528	1833
WLU3318	837	938	1005	1130	1214	1340	1549	1859
WLU3618	851	953	1021	1148	1234	1361	1574	1889

PRODUCT DETAILS

- 1 door
- No shelf
- No center stile
- Door overhang (DO) option available
- Uses BLUM hardware

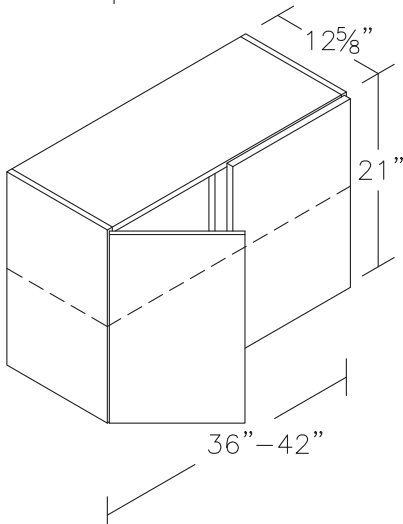
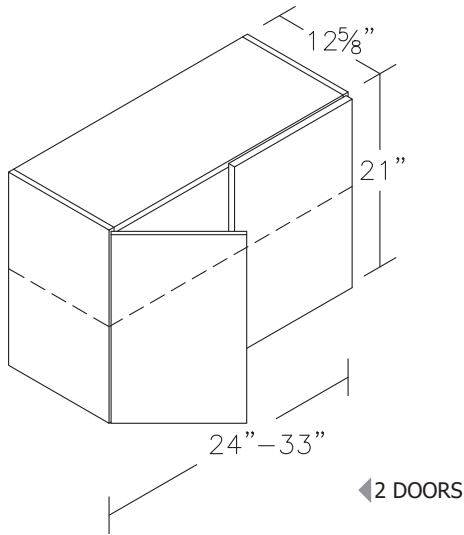
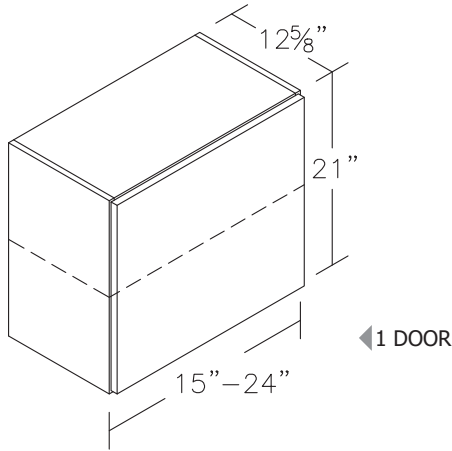
DESIGN CONSIDERATIONS

- Allow 16 1/2" of free space from the top of the cabinet to allow for the door to open completely
- Minimum cabinet height=12"
Minimum cabinet width=9"
Minimum cabinet depth=12"

WALL

wall cabinets

21" High



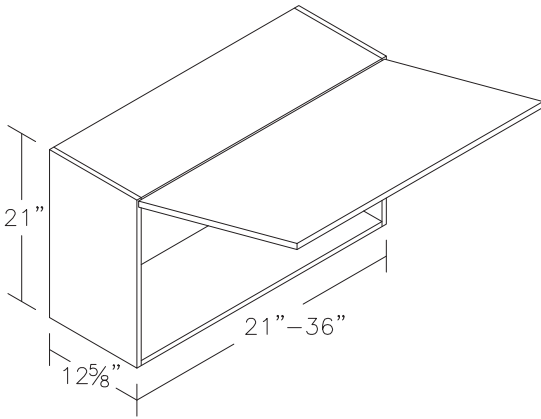
	1	2	3	4	5	6	7	8
W1521(L/R)	291	326	349	393	422	466	539	646
W16.521(L/R)	307	343	368	414	445	491	567	681
W1821(L/R)	322	361	387	435	467	516	596	716
W2121(L/R)	338	379	406	457	490	541	625	751
W2421(L/R)	354	396	424	477	513	566	654	785
W2421-2	385	432	462	520	558	616	712	855
W2721	400	449	480	541	581	642	742	889
W3021	416	466	499	563	604	667	771	925
W3321	432	484	519	583	626	692	800	959
W3421	440	493	528	594	638	704	814	977
W3621	448	501	538	604	649	717	829	994
W3721	464	519	556	626	672	742	857	1029
W3921	479	537	575	647	695	766	886	1064
W4221	495	554	594	668	718	791	915	1098

PRODUCT DETAILS

- 2 doors
- 1 adjustable shelf
- 36" and above widths have a center stile
- When ordering single door units, indicate hinge left (HL) or hinge right (HR)
- Door overhang (DO) option available

(L/R) specify L (hinge left) or R (hinge right) to cabinet code

21" High Flip Up



WFLU2121	661	743	799	902	971	1075	1248	1503
WFLU2421	671	753	809	912	981	1085	1258	1513
WFLU2721	681	763	819	922	991	1095	1268	1523
WFLU3021	691	773	829	932	1001	1105	1278	1533
WFLU3321	701	785	841	946	1016	1122	1297	1556
WFLU3621	709	900	963	1084	1164	1284	1485	1783

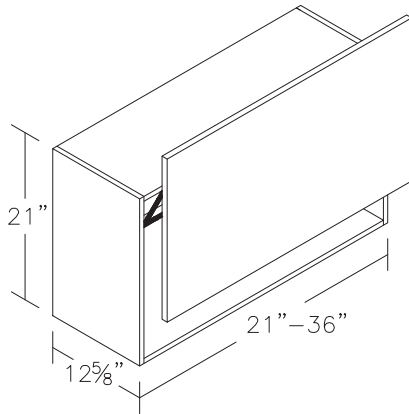
PRODUCT DETAILS

- 1 door
- No shelf
- No center stile
- Includes lid stay
- Door overhang (DO) option available
- Uses BLUM hardware

DESIGN CONSIDERATIONS

- Allow 7" of free space from the top of the cabinet to allow for the door to open completely
- Minimum cabinet height=10"
Minimum cabinet width=9"
Minimum cabinet depth=12"

21" High Lift Up



WLU2121	797	898	966	1092	1176	1303	1513	1825
WLU2421	812	913	981	1107	1191	1318	1528	1840
WLU2721	827	928	996	1122	1206	1333	1543	1855
WLU3021	842	943	1011	1137	1221	1348	1558	1870
WLU3321	850	952	1020	1147	1232	1359	1572	1886
WLU3621	863	967	1036	1165	1252	1381	1597	1916

PRODUCT DETAILS

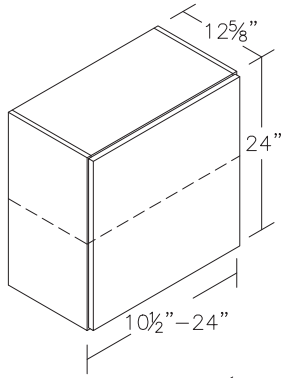
- 1 door
- No shelf
- No center stile
- Door overhang (DO) option available
- Uses BLUM hardware

DESIGN CONSIDERATIONS

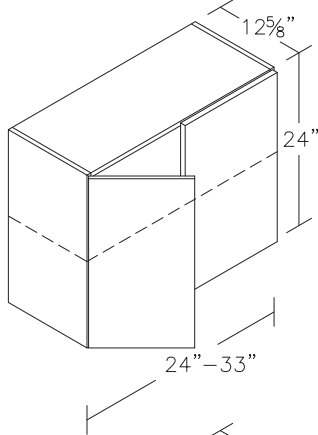
- Allow 16 1/2" of free space from the top of the cabinet to allow for the door to open completely
- Minimum cabinet height=12"
Minimum cabinet width=9"
Minimum cabinet depth=12"

wall cabinets

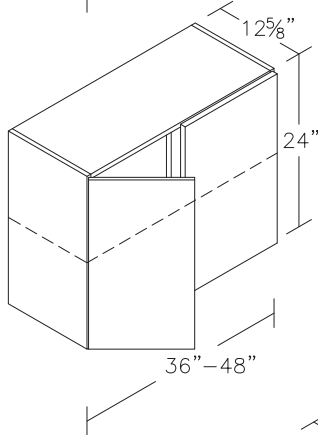
24" High



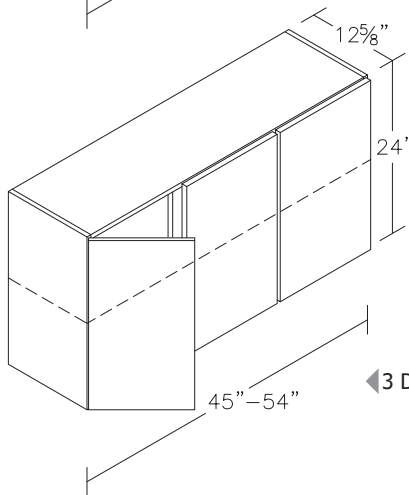
◀ 1 DOOR



◀ 2 DOORS



◀ 3 DOORS



	1	2	3	4	5	6	7	8
W10.524(L/R)	276	309	331	372	400	441	511	613
W1224(L/R)	291	327	349	393	422	466	540	647
W1524(L/R)	307	344	368	415	445	492	568	682
W16.524(L/R)	322	362	388	436	468	517	597	717
W1824(L/R)	339	380	407	457	491	542	626	752
W2124(L/R)	355	396	425	478	514	567	655	786
W2424(L/R)	370	414	444	499	537	592	684	822
W2424-2	386	432	463	521	560	617	713	856
W2724	401	449	482	542	581	642	743	891
W3024	417	467	500	563	604	667	772	926
W3324	433	485	519	584	627	693	801	961
W3424	448	502	538	605	650	718	829	995
W3624	464	520	556	626	673	743	858	1030
W3724	479	538	575	648	696	768	887	1065
W3924	495	554	595	669	719	792	916	1099
W4224	511	572	614	690	742	817	945	1135
W4524-2	526	590	632	711	763	842	974	1169
W4824-2	543	607	651	732	786	867	1004	1204
W4524-3(L/R)	558	625	670	753	809	893	1033	1239
W4824-3(L/R)	574	643	688	775	832	918	1062	1274
W5124-3(L/R)	590	660	707	796	855	943	1091	1308
W5424-3(L/R)	605	678	726	817	878	968	1119	1344

PRODUCT DETAILS

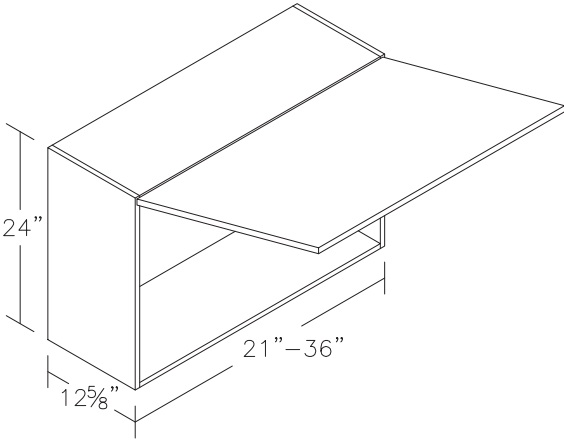
- 1 adjustable shelf
- 36" and above widths have a center stile
- Hinge designation on 3 door cabinet is for center door
- Center door is mounted to center stile
- For 1 door or 3 door units, indicate hinge left (HL) or hinge right (HR)
- Door overhang (DO) option available

(L/R) specify L (hinge left) or R (hinge right) to cabinet code

wall cabinets

1 2 3 4 5 6 7 8

24" High Flip Up



WFLU2124	674	759	815	921	991	1097	1273	1533
WFLU2424	684	769	825	931	1001	1107	1283	1543
WFLU2724	694	779	835	941	1011	1117	1293	1553
WFLU3024	704	789	845	951	1021	1127	1303	1563
WFLU3324	714	800	857	965	1036	1143	1322	1586
WFLU3624	730	818	876	986	1059	1168	1351	1621

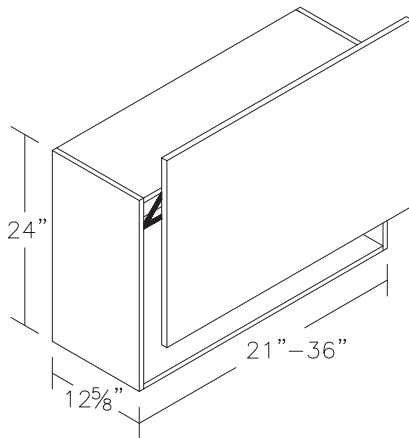
PRODUCT DETAILS

- 1 door
- No shelf
- No center stile
- Includes lid stay
- Door overhang (DO) option available
- Uses BLUM hardware

DESIGN CONSIDERATIONS

- Allow 7" of free space from the top of the cabinet to allow for the door to open completely
- Minimum cabinet height=10"
Minimum cabinet width=9"
Minimum cabinet depth=12"

24" High Lift Up



WLU2124	814	917	986	1115	1201	1329	1544	1862
WLU2424	829	932	1001	1130	1216	1344	1559	1877
WLU2724	844	947	1016	1145	1231	1359	1574	1892
WLU3024	859	962	1031	1160	1246	1374	1589	1907
WLU3324	866	970	1040	1170	1256	1386	1603	1923
WLU3624	880	985	1056	1188	1276	1408	1628	1953

PRODUCT DETAILS

- 1 door
- No shelf
- No center stile
- Door overhang (DO) option available
- Uses BLUM hardware

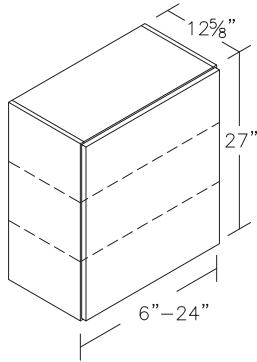
DESIGN CONSIDERATIONS

- Allow 16 1/2" of free space from the top of the cabinet to allow for the door to open completely
- Minimum cabinet height=12"
Minimum cabinet width=9"
Minimum cabinet depth=12"

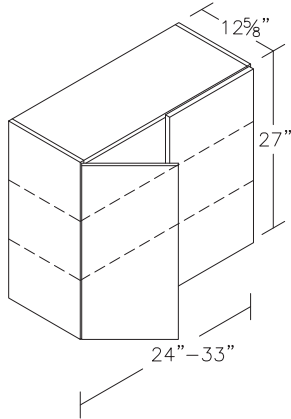
WALL

wall cabinets

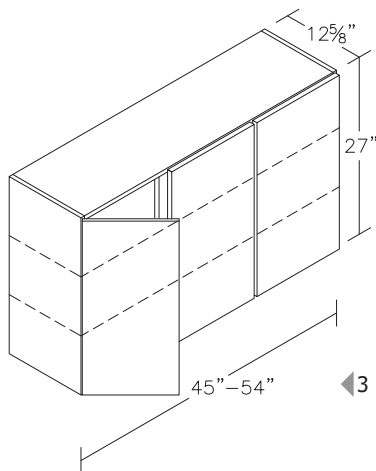
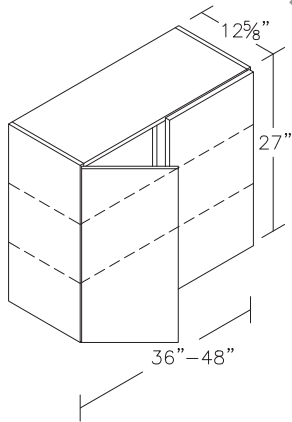
27" High



◀ 1 DOOR



◀ 2 DOORS



◀ 3 DOORS

	1	2	3	4	5	6	7	8
W627(L/R)	241	270	289	326	349	386	446	536
W7.527(L/R)	255	286	307	344	370	409	472	567
W927(L/R)	269	302	323	364	390	431	498	598
W10.527(L/R)	283	317	340	383	411	453	524	629
W1227(L/R)	297	333	357	401	432	476	550	660
W13.527(L/R)	312	348	373	420	451	498	576	692
W1527(L/R)	326	365	391	440	472	521	602	723
W16.527(L/R)	340	381	408	459	493	543	628	754
W1827(L/R)	354	396	424	477	513	566	654	785
W19.527(L/R)	368	412	441	496	534	589	680	816
W2127(L/R)	382	427	459	516	553	610	706	848
W2427(L/R)	396	443	475	535	574	633	732	879
W2427-2	410	459	492	553	595	656	758	910
W2727	424	475	509	572	615	678	784	941
W3027	438	491	525	592	635	701	810	972
W3327	452	506	543	610	655	724	836	1004
W3627	466	522	560	629	676	746	862	1035
W3927	480	538	576	648	697	769	888	1066
W4227	494	553	593	668	717	790	914	1097
W4527-2	509	569	610	686	737	813	940	1128
W4827-2	522	586	627	705	757	836	966	1160
W4527-3(L/R)	537	601	644	724	778	858	992	1191
W4827-3(L/R)	550	617	660	744	799	881	1018	1222
W5127-3(L/R)	565	632	677	762	818	904	1044	1253
W5427-3(L/R)	578	648	695	781	839	926	1070	1284

PRODUCT DETAILS

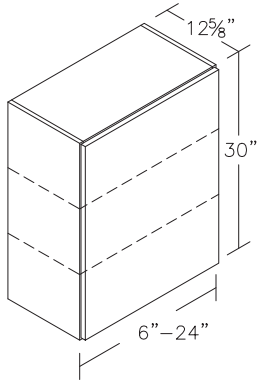
- 2 adjustable shelves
- 6" and 7 1/2" wide units come with a slab door only
- 36" and above widths have a center stile
- Hinge designation on 3 door cabinet is for center door
- Center door is mounted to center stile
- For 1 door or 3 door units, indicate hinge left (HL) or hinge right (HR)
- Door overhang (DO) option available

(L/R) specify L (hinge left) or R (hinge right) to cabinet code

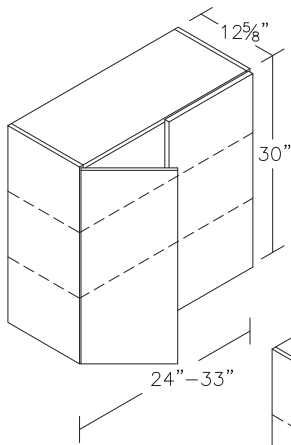
WALL

wall cabinets

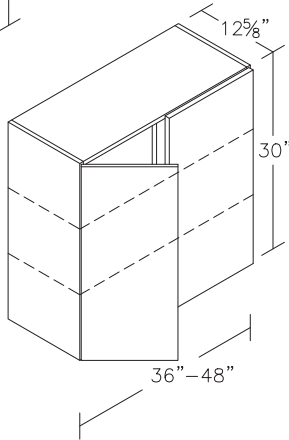
30" High



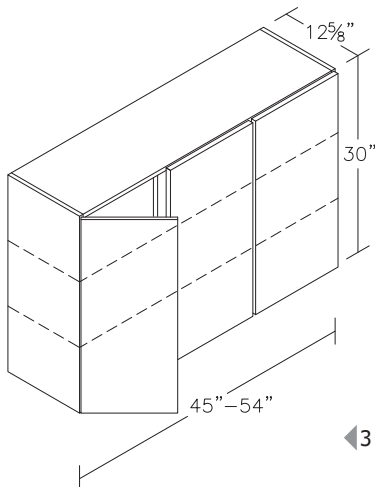
◀ 1 DOOR



◀ 2 DOORS



◀ 3 DOORS



◀ 3 DOORS

	1	2	3	4	5	6	7	8
W630(L/R)*	244	274	293	330	355	391	452	543
W7.530(L/R)*	255	286	307	344	370	409	472	567
W930(L/R)	266	298	319	359	386	425	492	591
W10.530(L/R)	277	310	332	373	401	443	513	615
W1230(L/R)	288	322	345	388	417	461	532	639
W13.530(L/R)	298	334	358	404	433	477	552	662
W1530(L/R)	309	346	371	418	448	495	572	686
W16.530(L/R)	320	359	384	433	464	513	593	710
W1830(L/R)	331	370	397	447	479	529	613	734
W19.530(L/R)	342	383	410	462	496	547	632	759
W2130(L/R)	353	395	423	476	512	564	652	783
W2430(L/R)	363	407	436	491	527	581	672	807
W2430-2	385	432	462	520	558	616	712	855
W2730	407	456	488	549	590	651	752	903
W3030	428	479	514	578	621	685	792	951
W3330	450	504	540	607	652	720	832	998
W3630	471	528	566	636	683	755	873	1047
W3930	493	552	592	666	716	789	912	1095
W4230	515	576	618	695	747	824	953	1143
W4530-2	537	601	644	724	778	858	992	1191
W4830-2	558	625	670	753	809	893	1033	1239
W4530-3(L/R)	579	649	696	783	840	928	1072	1288
W4830-3(L/R)	601	674	722	812	872	962	1113	1335
W5130-3(L/R)	623	698	748	841	904	996	1152	1383
W5430-3(L/R)	645	722	774	870	935	1032	1193	1431

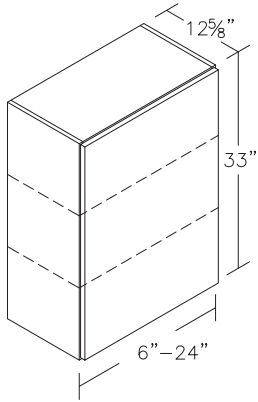
PRODUCT DETAILS

- 2 adjustable shelves
- *6" and 7 1/2" wide units come with a slab door only (applies to units W630 and W7.530 only)
- 36" and above widths have a centre stile
- Hinge designation on 3 door cabinet is for center door
- Center door is mounted to center stile. Drawing shows hinge left
- Door overhang (DO) option available

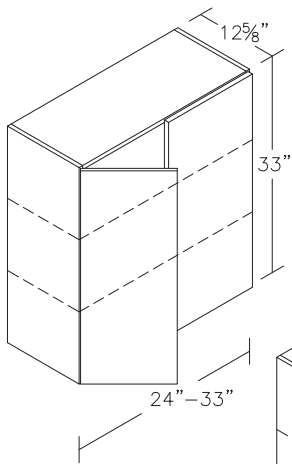
(L/R) specify L (hinge left) or R (hinge right) to cabinet code

wall cabinets

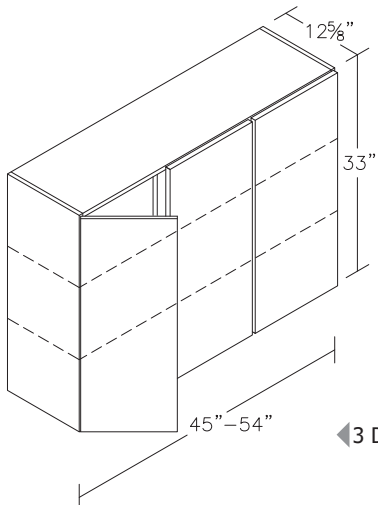
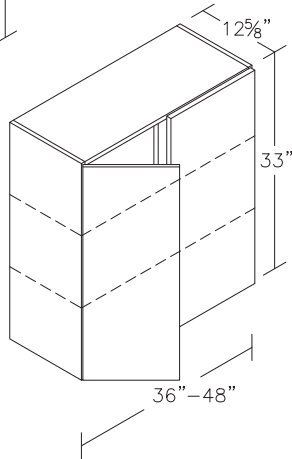
33" High



◀ 1 DOOR



◀ 2 DOORS



◀ 3 DOORS

	1	2	3	4	5	6	7	8
W633(L/R)	267	300	321	361	388	428	495	594
W7.533(L/R)	283	317	339	382	410	452	523	628
W933(L/R)	298	334	358	402	432	476	551	661
W10.533(L/R)	313	350	375	422	454	501	579	695
W1233(L/R)	329	368	394	443	476	525	607	729
W13.533(L/R)	343	385	412	464	498	549	635	762
W1533(L/R)	359	401	431	484	520	574	664	796
W16.533(L/R)	373	418	448	504	542	598	692	830
W1833(L/R)	389	436	467	525	564	622	720	863
W19.533(L/R)	404	452	485	545	586	647	748	896
W2133(L/R)	419	469	503	566	607	671	776	931
W2433(L/R)	435	487	521	587	629	695	803	964
W2433-2	456	511	547	616	661	729	843	1012
W2733	478	536	574	646	694	765	885	1063
W3033	501	562	601	677	727	802	928	1113
W3333	524	587	629	707	760	838	969	1164
W3633	547	613	656	738	792	875	1012	1214
W3933	570	638	683	769	826	911	1054	1265
W4233	592	664	710	800	859	947	1095	1315
W4533-2	615	688	737	830	891	984	1138	1366
W4833-2	638	714	765	861	925	1020	1179	1415
W4533-3(L/R)	660	739	792	891	958	1057	1222	1466
W4833-3(L/R)	683	765	820	922	990	1093	1264	1516
W5133-3(L/R)	706	790	847	953	1023	1129	1305	1566
W5433-3(L/R)	728	815	875	984	1057	1166	1348	1617

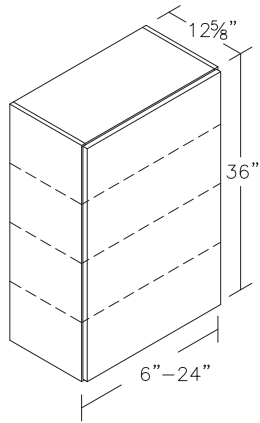
PRODUCT DETAILS

- 2 adjustable shelves
- 6" and 7 1/2" wide units come with a slab door only
- 36" and above widths have a center stile
- Hinge designation on 3 door cabinet is for center door
- Center door is mounted to center stile. Drawing shows hinge left
- Door overhang (DO) option available

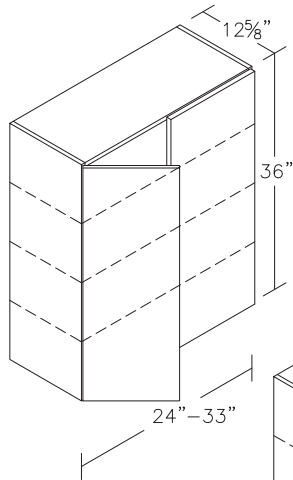
(L/R) specify L (hinge left) or R (hinge right) to cabinet code

WALL

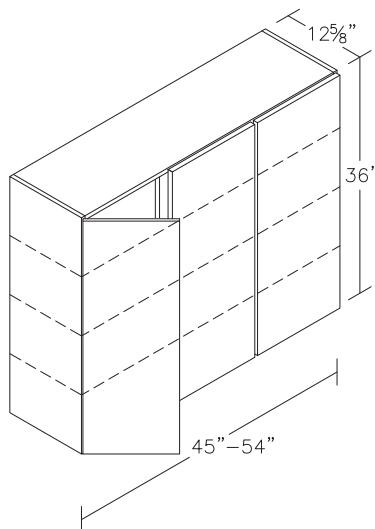
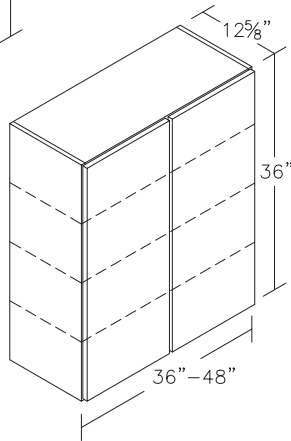
36" High



◀ 1 DOOR



◀ 2 DOORS



◀ 3 DOORS

	1	2	3	4	5	6	7	8
W636(L/R)	291	326	349	393	422	466	539	646
W7.536(L/R)	310	347	372	419	450	497	574	690
W936(L/R)	330	361	387	435	467	516	596	716
W10.536(L/R)	349	406	435	489	525	579	671	805
W1236(L/R)	369	416	447	502	540	595	687	826
W13.536(L/R)	388	441	472	531	571	629	728	874
W1536(L/R)	408	458	491	551	593	654	756	907
W16.536(L/R)	427	475	509	572	615	678	784	941
W1836(L/R)	447	493	528	594	639	704	814	978
W19.536(L/R)	466	545	584	657	706	779	901	1082
W2136(L/R)	486	553	593	668	718	790	914	1097
W2436(L/R)	505	562	601	676	726	802	927	1113
W2436-2	526	597	641	721	774	854	986	1184
W2736	550	638	682	768	826	911	1052	1263
W3036	574	658	706	794	854	941	1088	1305
W3336	598	693	740	834	895	989	1142	1371
W3636	622	705	755	850	913	1007	1165	1398
W3936	646	731	784	882	947	1045	1208	1450
W4236	670	757	811	913	980	1082	1250	1501
W4536-2	694	831	890	1002	1076	1188	1373	1647
W4836-2	718	869	932	1048	1126	1243	1436	1723
W4536-3(L/R)	740	831	890	1002	1076	1188	1373	1647
W4836-3(L/R)	764	869	932	1048	1126	1243	1436	1723
W5136-3(L/R)	788	831	890	1002	1076	1188	1373	1647
W5436-3(L/R)	812	869	932	1048	1126	1243	1436	1723

PRODUCT DETAILS

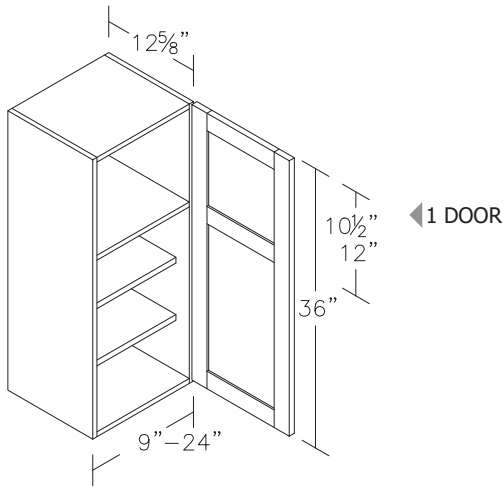
- 3 adjustable shelves
- 6" and 7 1/2" wide units come with a slab door only
- 36" and above widths have a center stile
- Hinge designation on 3 door cabinet is for center door
- Center door is mounted to center stile. Drawing shows hinge left
- Door overhang (DO) option available

(L/R) specify L (hinge left) or R (hinge right) to cabinet code

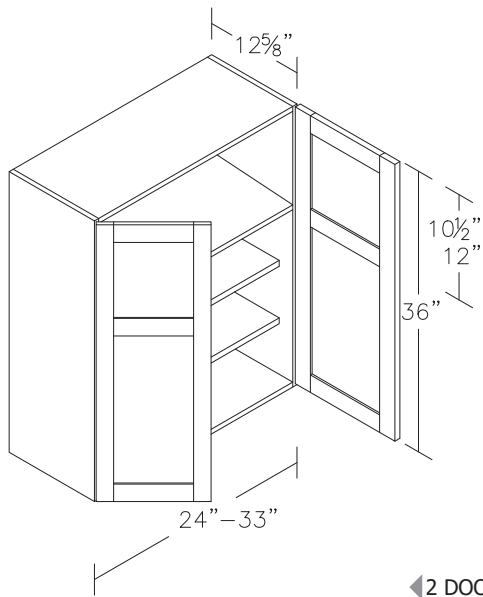
WALL

wall cabinets

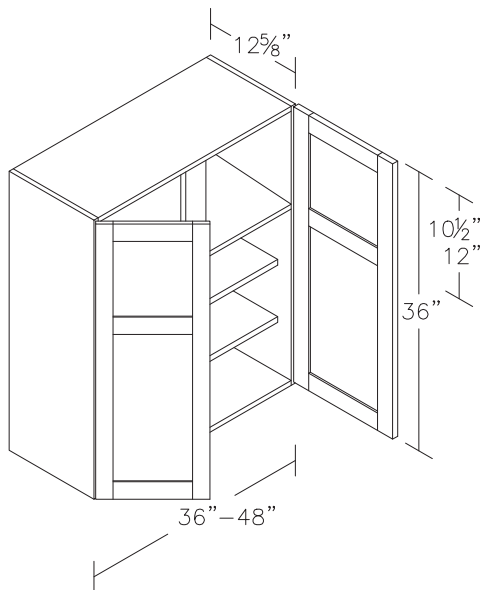
36" High Dual Insert



◀ 1 DOOR



◀ 2 DOORS



	1	2	3	4	5	6	7	8
W936DI(L/R)	438	469	495	543	575	624	704	824
W1236DI(L/R)	477	524	555	610	648	703	795	934
W1536DI(L/R)	516	566	599	659	701	762	864	1015
W1836DI(L/R)	555	601	636	702	747	812	922	1086
W2136DI(L/R)	594	661	701	776	826	898	1022	1205
W2436DI(L/R)	613	670	709	784	834	910	1035	1221
W2436-2DI	742	813	857	937	990	1070	1202	1400
W2736DI	766	854	898	984	1042	1127	1268	1479
W3036DI	790	874	922	1010	1070	1157	1304	1521
W3336DI	814	909	956	1050	1111	1205	1358	1587
W3636DI	838	921	971	1066	1129	1223	1381	1614
W3936DI	862	947	1000	1098	1163	1261	1424	1666
W4236DI	886	973	1027	1129	1196	1298	1466	1717
W4536-2DI	910	1047	1106	1218	1292	1404	1589	1863
W4836-2DI	934	1085	1148	1264	1342	1459	1652	1939

PRODUCT DETAILS

- 2 adjustable shelves, 1 fixed shelf (flush with top door rail)
- 36" and above widths have a center stile and 2 fixed shelves
- DI has solid insert top and bottom sections. DINI has a no insert top section and a solid insert bottom section
- Add DINI (No Insert) plus the top door size to the cabinet code. i.e. W1236LDINI12
- Door overhang (DO) option available

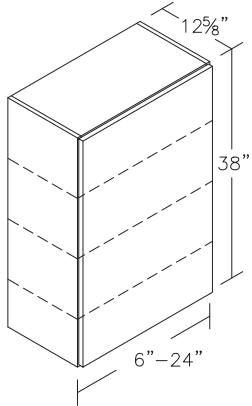
DESIGN CONSIDERATIONS

- Only available in 5 piece mortise and tenon wood door styles

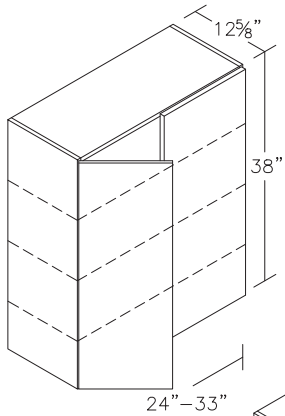
(L/R) specify L (hinge left) or R (hinge right) to cabinet code

wall cabinets

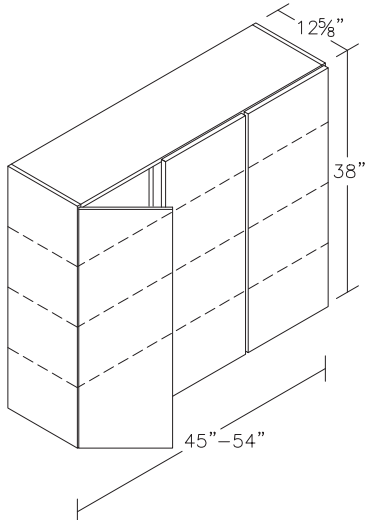
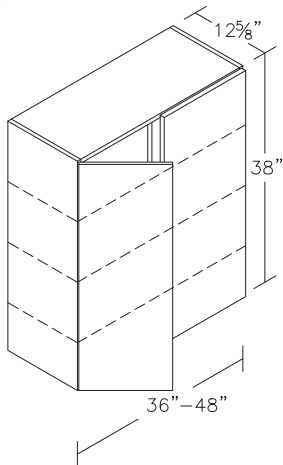
38" High



◀ 1 DOOR



◀ 2 DOORS



◀ 3 DOORS

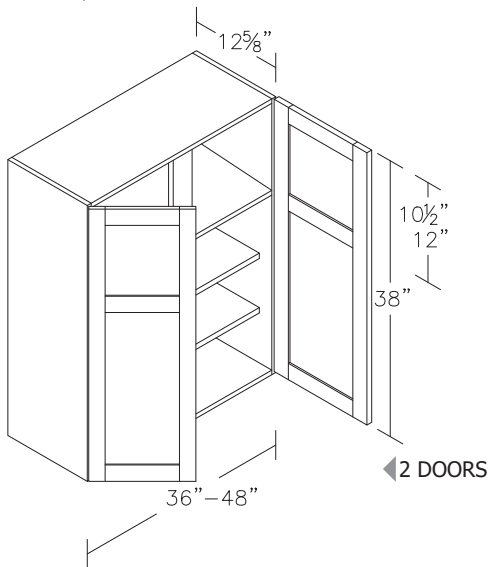
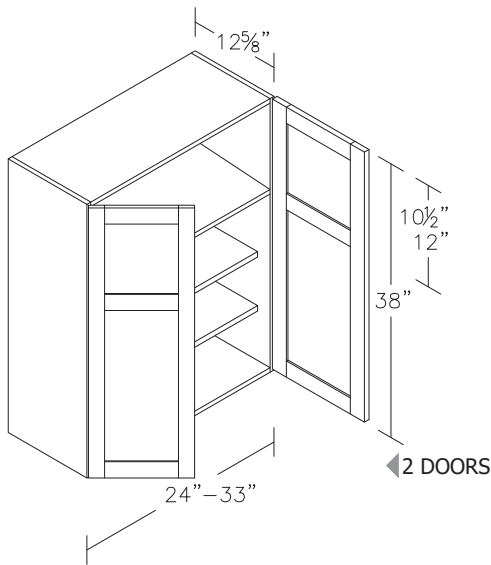
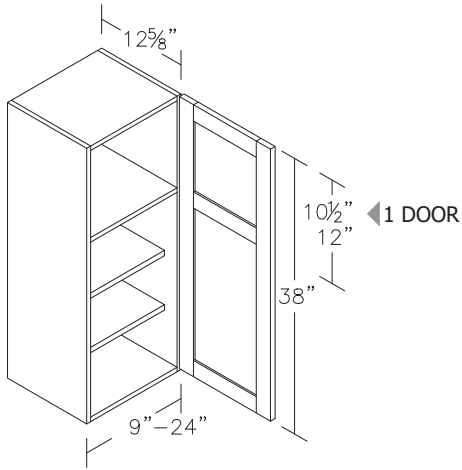
	1	2	3	4	5	6	7	8
W638(L/R)	301	337	361	406	436	482	556	668
W7.538(L/R)	320	359	384	433	464	513	593	710
W938(L/R)	340	381	408	459	493	543	628	754
W10.538(L/R)	359	402	431	485	521	574	665	798
W1238(L/R)	379	424	454	511	549	605	700	840
W13.538(L/R)	398	446	477	538	577	636	736	884
W1538(L/R)	417	468	501	564	605	668	773	927
W16.538(L/R)	437	490	524	590	633	699	808	970
W1838(L/R)	457	512	548	616	661	730	844	1013
W19.538(L/R)	476	534	571	643	691	761	881	1057
W2138(L/R)	495	554	595	669	719	792	916	1099
W2438(L/R)	515	576	618	695	747	824	953	1143
W2438-2	537	601	644	724	778	858	992	1191
W2738	561	627	672	756	812	896	1037	1244
W3038	584	654	701	788	847	935	1081	1297
W3338	607	681	729	821	881	972	1124	1350
W3638	631	707	758	853	916	1011	1169	1402
W3938	655	734	786	885	951	1048	1213	1455
W4238	679	760	815	917	985	1087	1256	1508
W4538-2	703	787	843	950	1019	1125	1301	1561
W4838-2	727	814	873	981	1054	1163	1345	1614
W4538-3(L/R)	751	840	901	1013	1089	1201	1388	1666
W4838-3(L/R)	775	867	930	1045	1123	1239	1433	1719
W5138-3(L/R)	799	894	958	1077	1158	1277	1477	1772
W5438-3(L/R)	822	920	986	1110	1192	1316	1520	1825

PRODUCT DETAILS

- 3 adjustable shelves
- 6" and 7 1/2" wide units come with a slab door only
- 36" and above widths have a center stile
- Hinge designation on 3 door cabinet is for center door
- Center door is mounted to center stile. Drawing shows hinge left
- Door overhang (DO) option available

(L/R) specify L (hinge left) or R (hinge right) to cabinet code

38" High Dual Insert



	1	2	3	4	5	6	7	8
W938DI(L/R)	448	489	516	567	601	651	736	862
W1238DI(L/R)	487	532	562	619	657	713	808	948
W1538DI(L/R)	525	576	609	672	713	776	881	1035
W1838DI(L/R)	565	620	656	724	769	838	952	1121
W2138DI(L/R)	603	662	703	777	827	900	1024	1207
W2438DI(L/R)	623	684	726	803	855	932	1061	1251
W2438-2DI	753	817	860	940	994	1074	1208	1407
W2738DI	777	843	888	972	1028	1112	1253	1460
W3038DI	800	870	917	1004	1063	1151	1297	1513
W3338DI	823	897	945	1037	1097	1188	1340	1566
W3638DI	847	923	974	1069	1132	1227	1385	1618
W3938DI	871	950	1002	1101	1167	1264	1429	1671
W4238DI	895	976	1031	1133	1201	1303	1472	1724
W4538-2DI	919	1003	1059	1166	1235	1341	1517	1777
W4838-2DI	943	1030	1089	1197	1270	1379	1561	1830

PRODUCT DETAILS

- 2 adjustable shelves, 1 fixed shelf (flush with top door rail)
- 36" and above widths have a center stile and 2 fixed shelves
- DI has solid insert top and bottom sections. DINI has a no insert top section and a solid insert bottom section
- Add DINI (No Insert) plus the top door size to the cabinet code i.e. W1238LDINI12
- Door overhang (DO) option available

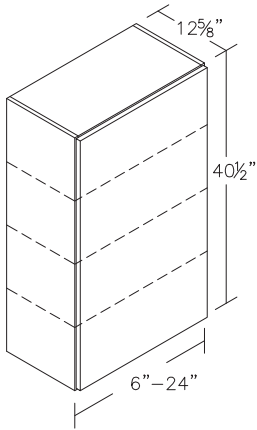
DESIGN CONSIDERATIONS

- Only available in 5 piece mortise and tenon wood door styles

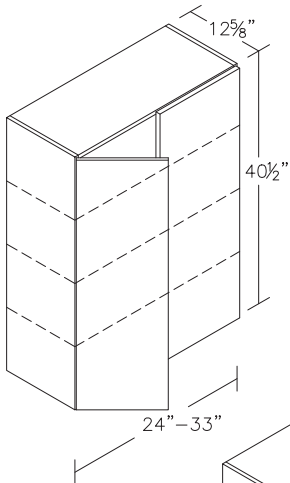
(L/R) specify L (hinge left) or R (hinge right) to cabinet code

wall cabinets

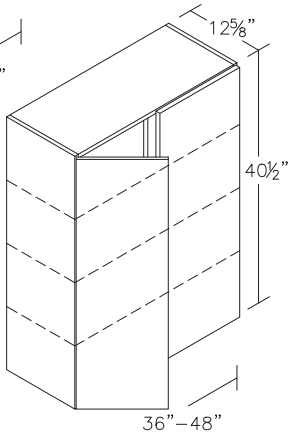
40 1/2" High



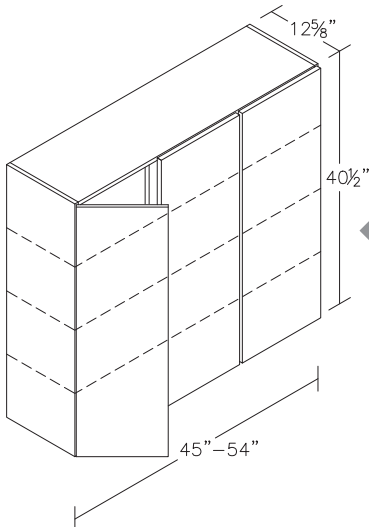
◀ 1 DOOR



◀ 2 DOORS



36"–48"



◀ 3 DOORS

	1	2	3	4	5	6	7	8
W640.5(L/R)	310	336	361	406	436	482	556	667
W7.540.5(L/R)	330	369	396	445	478	528	610	732
W940.5(L/R)	349	375	402	453	487	537	621	745
W10.540.5(L/R)	369	406	435	489	525	579	671	805
W1240.5(L/R)	388	438	469	527	567	625	725	870
W13.540.5(L/R)	408	445	478	538	577	638	736	884
W1540.5(L/R)	427	452	488	548	588	650	748	898
W16.540.5(L/R)	447	487	521	588	630	696	805	966
W1840.5(L/R)	466	524	556	630	676	745	866	1040
W19.540.5(L/R)	486	537	575	647	695	766	887	1064
W2140.5(L/R)	505	549	595	664	713	789	908	1089
W2440.5(L/R)	524	598	642	722	775	855	989	1187
W2440.5-2	546	566	605	681	732	808	935	1121
W2740.5	570	604	648	729	783	863	998	1198
W3040.5	594	620	665	748	803	886	1024	1229
W3340.5	618	645	691	777	834	920	1064	1277
W3640.5	642	674	722	812	872	963	1113	1335
W3940.5	666	709	760	854	917	1013	1171	1407
W4240.5	688	741	796	895	963	1063	1231	1500
W4540.5-2	712	779	839	945	1018	1123	1299	1602
W4840.5-2	736	815	880	995	1073	1183	1367	1704
W4540.5-3(L/R)	760	852	912	1026	1102	1217	1407	1688
W4840.5-3(L/R)	784	878	941	1059	1137	1254	1451	1741
W5140.5-3(L/R)	808	905	969	1091	1171	1293	1494	1794
W5440.5-3(L/R)	832	932	998	1123	1206	1331	1539	1846

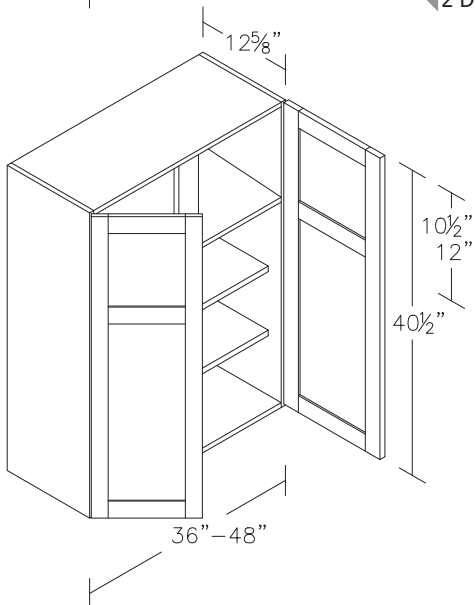
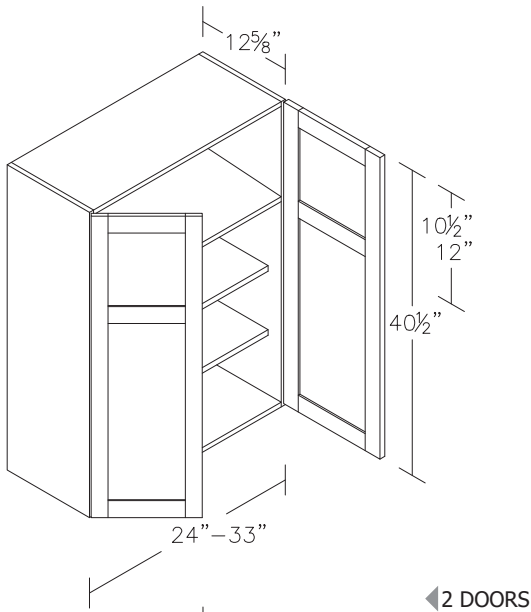
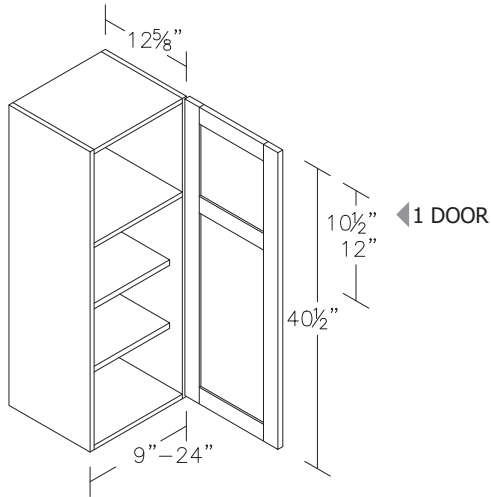
PRODUCT DETAILS

- 3 adjustable shelves
- 6" and 7 1/2" wide units come with a slab door only
- 36" and above widths have a center stile
- Hinge designation on 3 door cabinet is for center door
- Center door is mounted to center stile. Drawing shows hinge left
- Door overhang (DO) option available

(L/R) specify L (hinge left) or R (hinge right) to cabinet code

wall cabinets

40 1/2" High Dual Insert



	1	2	3	4	5	6	7	8
W940.5DI(L/R)	457	483	510	561	595	645	729	853
W1240.5DI(L/R)	496	546	577	635	675	733	833	978
W1540.5DI(L/R)	535	560	596	656	696	758	856	1006
W1840.5DI(L/R)	574	632	664	738	784	853	974	1148
W2140.5DI(L/R)	613	657	703	772	821	897	1016	1197
W2440.5DI(L/R)	632	706	750	830	883	963	1097	1295
W2440.5-2DI	762	782	821	897	948	1024	1151	1337
W2740.5DI	786	820	864	945	999	1079	1214	1414
W3040.5DI	810	836	881	964	1019	1102	1240	1445
W3340.5DI	834	861	907	993	1050	1136	1280	1493
W3640.5DI	858	890	938	1028	1088	1179	1329	1551
W3940.5DI	882	985	1040	1143	1212	1315	1487	1741
W4240.5DI	904	1007	1065	1171	1241	1348	1524	1786
W4540.5-2DI	928	1015	1071	1178	1250	1357	1535	1798
W4840.5-2DI	952	1041	1100	1210	1284	1394	1578	1851

PRODUCT DETAILS

- 2 adjustable shelves, 1 fixed shelf (flush with top door rail)
- 36" and above widths have a center stile and 2 fixed shelves
- DI has solid insert top and bottom sections. DINI has a no insert top section and a solid insert bottom section
- Add DINI (No Insert) plus the top door size to the cabinet code. i.e. W1240.5LDINI12
- Door overhang (DO) option available

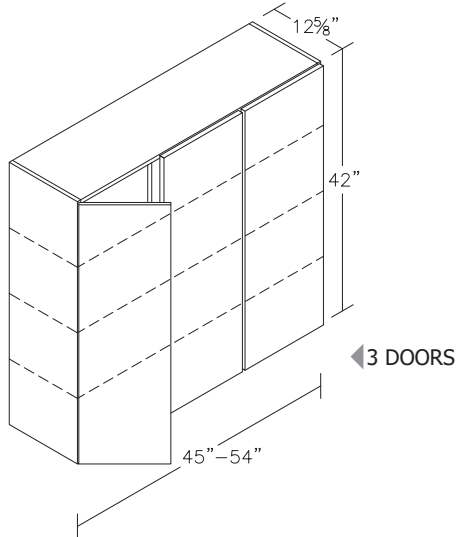
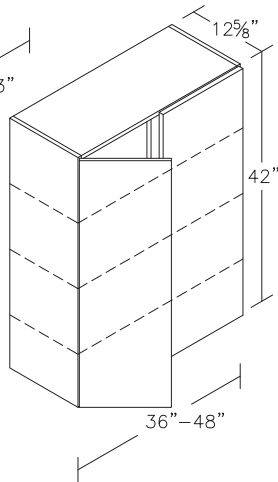
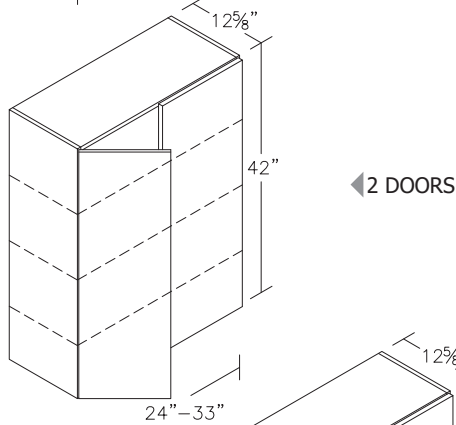
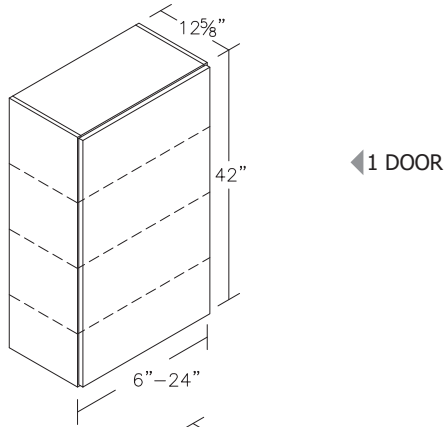
DESIGN CONSIDERATIONS

- Only available in 5 piece mortise and tenon wood door styles

(L/R) specify L (hinge left) or R (hinge right) to cabinet code

WALL

42" High Wall



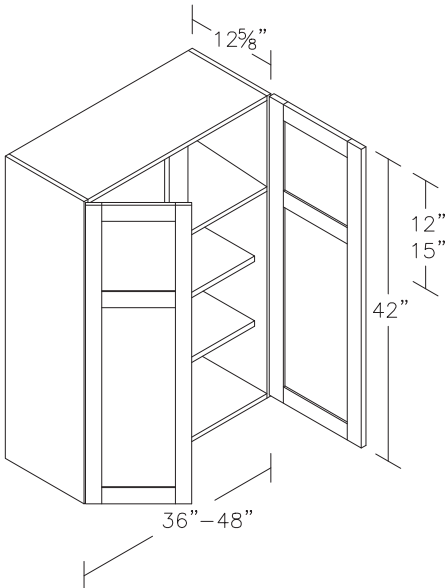
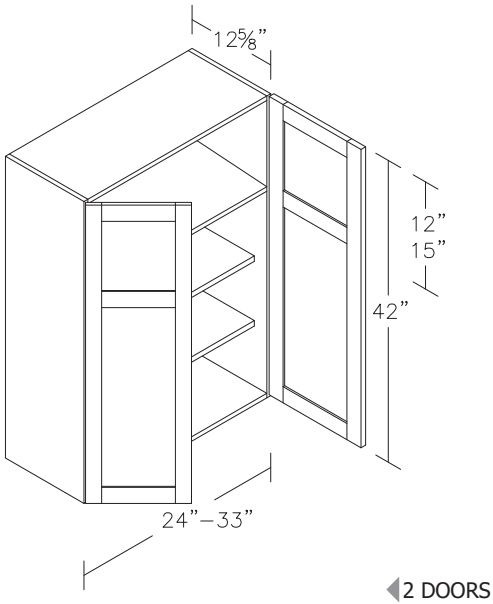
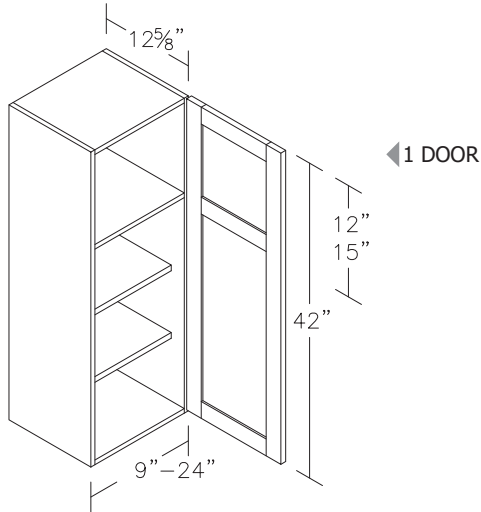
	1	2	3	4	5	6	7	8
W642(L/R)	319	358	383	431	463	511	591	709
W7.542(L/R)	339	380	407	458	492	543	627	753
W942(L/R)	359	401	431	485	520	574	664	797
W10.542(L/R)	379	424	454	511	549	605	700	840
W1242(L/R)	397	445	476	537	576	635	735	882
W13.542(L/R)	417	467	500	563	604	668	772	926
W1542(L/R)	437	489	524	590	633	699	808	969
W16.542(L/R)	457	512	548	617	662	730	844	1014
W1842(L/R)	475	532	570	642	690	760	879	1056
W19.542(L/R)	495	554	594	669	718	792	916	1099
W2142(L/R)	515	576	618	695	747	824	953	1143
W2442(L/R)	534	598	641	721	774	854	987	1185
W2442-2	555	622	667	750	805	888	1028	1232
W2742	579	649	695	782	840	927	1071	1286
W3042	582	652	699	786	844	932	1077	1293
W3342	627	702	753	847	909	1004	1161	1393
W3642	651	729	781	879	944	1042	1204	1446
W3942	675	756	810	911	979	1080	1249	1499
W4242	698	782	837	942	1012	1117	1291	1550
W4542-2	722	808	866	974	1046	1154	1335	1603
W4842-2	746	835	894	1007	1082	1193	1379	1656
W4542-3(L/R)	770	862	924	1039	1116	1231	1424	1709
W4842-3(L/R)	794	889	953	1071	1150	1270	1468	1762
W5142-3(L/R)	817	915	981	1103	1186	1308	1512	1815
W5442-3(L/R)	841	942	1010	1136	1220	1346	1557	1868

PRODUCT DETAILS

- 3 adjustable shelves
- 6" and 7 1/2" wide units come with a slab door only
- 36" and above widths have a center stile
- Hinge designation on 3 door cabinet is for center door
- Center door is mounted to center stile. Drawing shows hinge left
- Door overhang (DO) option available

(L/R) specify L (hinge left) or R (hinge right) to cabinet code

42" High Dual Insert



	1	2	3	4	5	6	7	8
W942DI(L/R)	467	509	539	593	628	682	772	905
W1242DI(L/R)	505	553	584	645	684	743	843	990
W1542DI(L/R)	545	597	632	698	741	807	916	1077
W1842DI(L/R)	583	640	678	750	798	868	987	1164
W2142DI(L/R)	623	684	726	803	855	932	1061	1251
W2442DI(L/R)	642	706	749	829	882	962	1095	1293
W2442-2DI	771	838	883	966	1021	1104	1244	1448
W2742DI	795	865	911	998	1056	1143	1287	1502
W3042DI	798	868	915	1002	1060	1148	1293	1509
W3342DI	843	918	969	1063	1125	1220	1377	1609
W3642DI	867	945	997	1095	1160	1258	1420	1662
W3942DI	891	972	1026	1127	1195	1296	1465	1715
W4242DI	914	998	1053	1158	1228	1333	1507	1766
W4542-2DI	938	1024	1082	1190	1262	1370	1551	1819
W4842-2DI	962	1051	1110	1223	1298	1409	1595	1872

PRODUCT DETAILS

- 2 adjustable shelves, 1 fixed shelf (flush with top door rail)
- 36" and above widths have center stiles and 2 fixed shelves
- DI has solid insert top and bottom sections. DINI has a no insert top section and a solid insert bottom section
- Add DINI (No Insert) plus the top door size to the cabinet code i.e. W1242LDINI12
- Door overhang (DO) option available

DESIGN CONSIDERATIONS

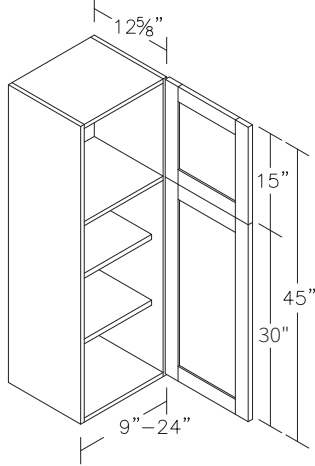
- Only available in 5 piece mortise and tenon wood door styles

(L/R) specify L (hinge left) or R (hinge right) to cabinet code

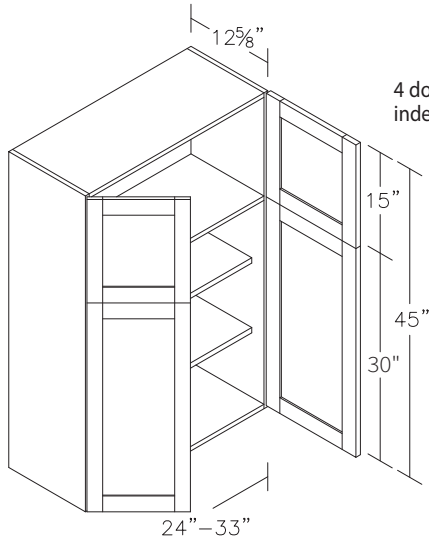
WALL

wall cabinets

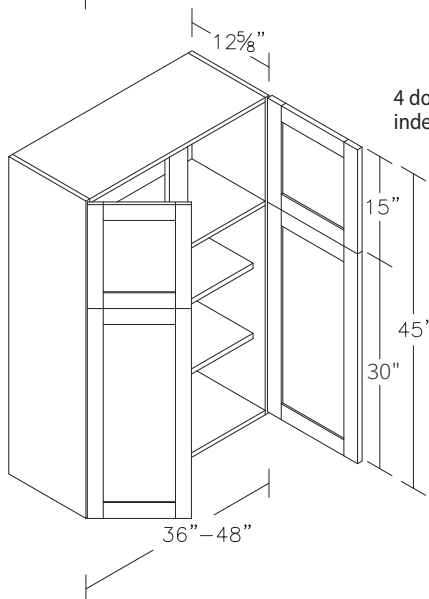
Wall Stacked



2 doors operate independently



4 doors operate independently



4 doors operate independently

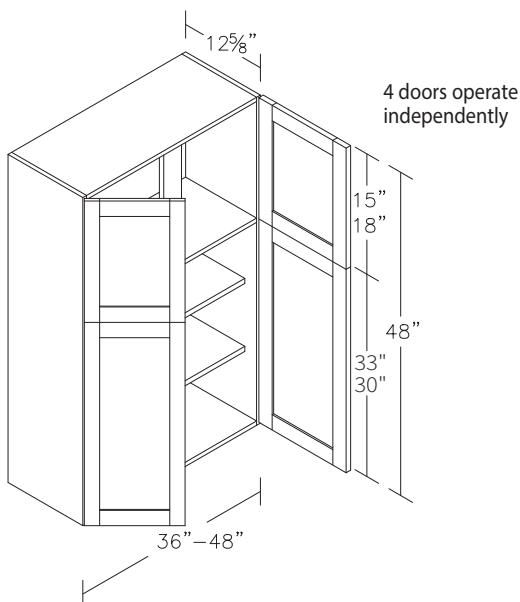
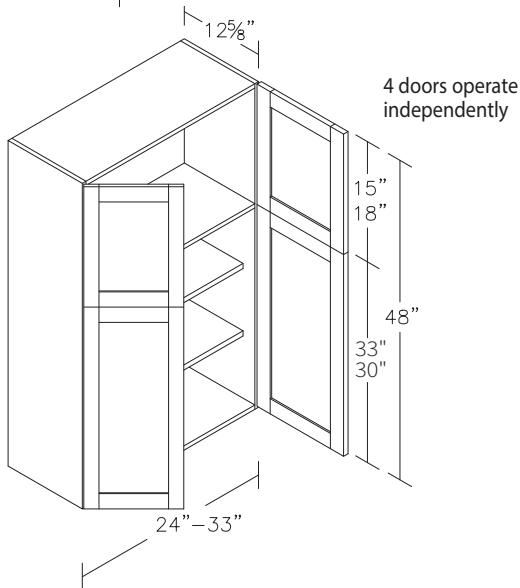
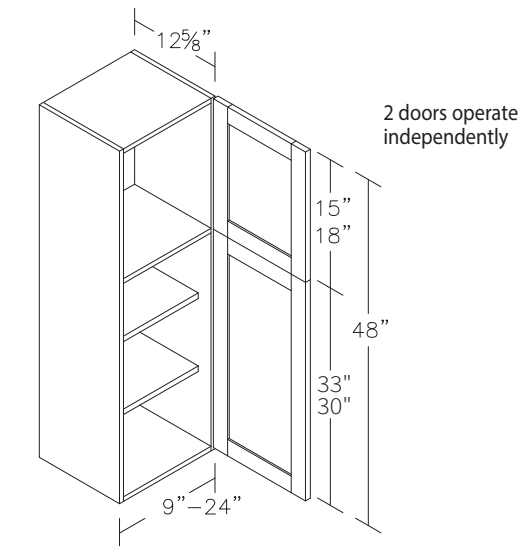
	1	2	3	4	5	6	7	8
WSC91545(L/R)	537	585	620	682	722	784	888	1041
WSC121545(L/R)	581	636	672	742	787	854	969	1139
WSC151545(L/R)	627	687	727	803	852	928	1053	1239
WSC181545(L/R)	670	736	780	863	918	998	1135	1339
WSC211545(L/R)	716	787	835	923	983	1072	1220	1439
WSC241545(L/R)	738	812	861	953	1014	1106	1259	1487
WSC241545-2	887	964	1015	1111	1174	1270	1431	1665
WSC271545	914	995	1048	1148	1214	1314	1480	1727
WSC301545	918	998	1052	1152	1219	1320	1487	1735
WSC331545	969	1056	1114	1222	1294	1403	1584	1850
WSC361545	997	1087	1147	1259	1334	1447	1633	1911
WSC391545	1025	1118	1180	1296	1374	1490	1685	1972
WSC421545	1051	1148	1211	1332	1412	1533	1733	2031
WSC451545-2	1079	1178	1244	1369	1451	1576	1784	2092
WSC481545-2	1106	1209	1277	1406	1493	1620	1834	2153

PRODUCT DETAILS

- 2 adjustable shelves
- 36" and above widths have 2 center stiles
- Door overhang (DO) option available

(L/R) specify L (hinge left) or R (hinge right) to cabinet code

Wall Stacked continued



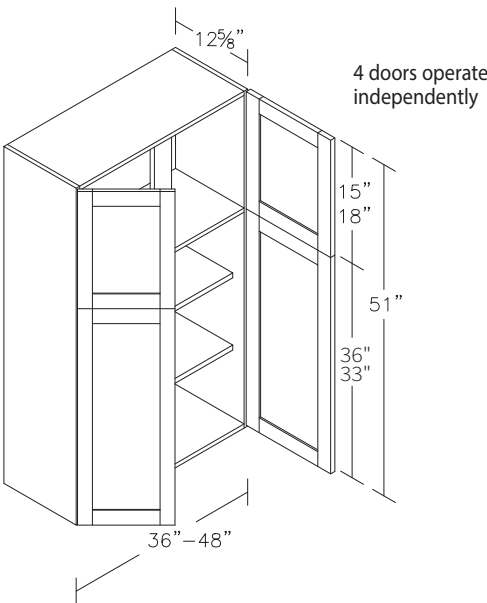
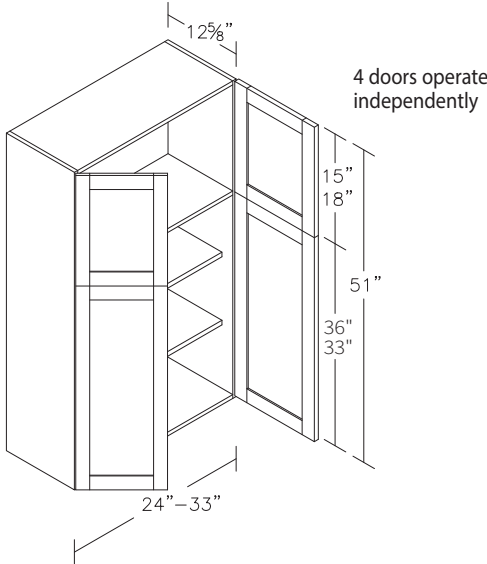
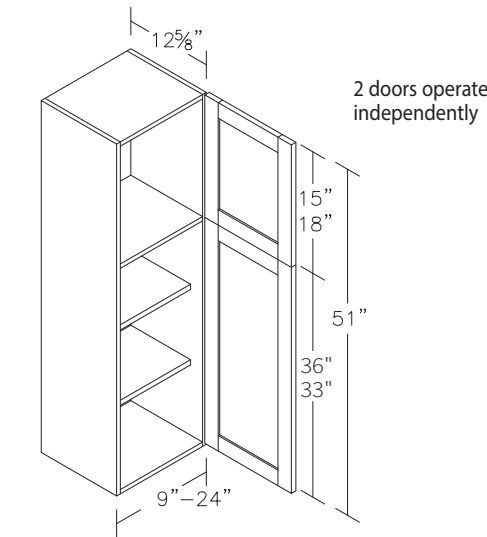
	1	2	3	4	5	6	7	8
WSC91548(L/R)	591	644	682	750	794	863	977	1145
WSC121548(L/R)	639	700	739	816	865	940	1066	1252
WSC151548(L/R)	689	755	799	883	937	1021	1159	1362
WSC181548(L/R)	737	810	858	949	1009	1098	1249	1472
WSC211548(L/R)	788	865	918	1016	1082	1179	1342	1583
WSC241548(L/R)	812	893	947	1049	1116	1217	1385	1636
WSC91848(L/R)	591	644	682	750	794	863	977	1145
WSC121848(L/R)	639	700	739	816	865	940	1066	1252
WSC151848(L/R)	689	755	799	883	937	1021	1159	1362
WSC181848(L/R)	737	810	858	949	1009	1098	1249	1472
WSC211848(L/R)	788	865	918	1016	1082	1179	1342	1583
WSC241848(L/R)	812	893	947	1049	1116	1217	1385	1636
WSC241548-2	975	1060	1117	1222	1292	1397	1574	1832
WSC271548	1006	1094	1152	1262	1336	1446	1628	1900
WSC301548	1009	1098	1157	1268	1341	1452	1636	1909
WSC331548	1066	1161	1226	1345	1423	1543	1742	2035
WSC361548	1097	1195	1261	1385	1467	1591	1796	2102
WSC391548	1127	1230	1298	1426	1512	1639	1853	2169
WSC421548	1156	1262	1332	1465	1553	1686	1906	2234
WSC451548-2	1187	1295	1369	1505	1596	1733	1962	2301
WSC481548-2	1217	1330	1404	1547	1642	1782	2018	2368
WSC241848-2	975	1060	1117	1222	1292	1397	1574	1832
WSC271848	1006	1094	1152	1262	1336	1446	1628	1900
WSC301848	1009	1098	1157	1268	1341	1452	1636	1909
WSC331848	1066	1161	1226	1345	1423	1543	1742	2035
WSC361848	1097	1195	1261	1385	1467	1591	1796	2102
WSC391848	1127	1230	1298	1426	1512	1639	1853	2169
WSC421848	1156	1262	1332	1465	1553	1686	1906	2234
WSC451848-2	1187	1295	1369	1505	1596	1733	1962	2301
WSC481848-2	1217	1330	1404	1547	1642	1782	2018	2368

PRODUCT DETAILS

- 2 adjustable shelves
- 36" and above widths have 2 center stiles
- Door overhang (DO) option available

(L/R) specify L (hinge left) or R (hinge right) to cabinet code

Wall Stacked continued



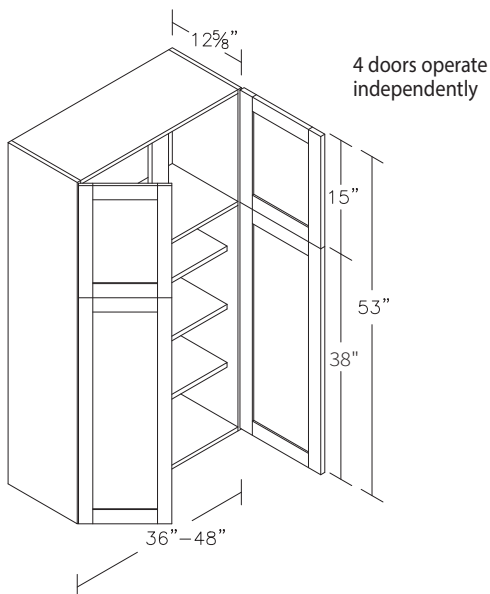
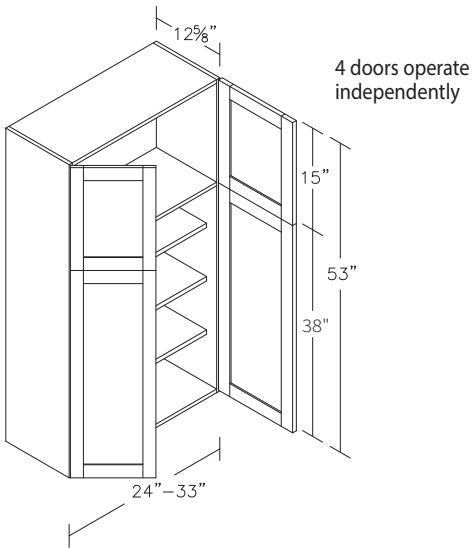
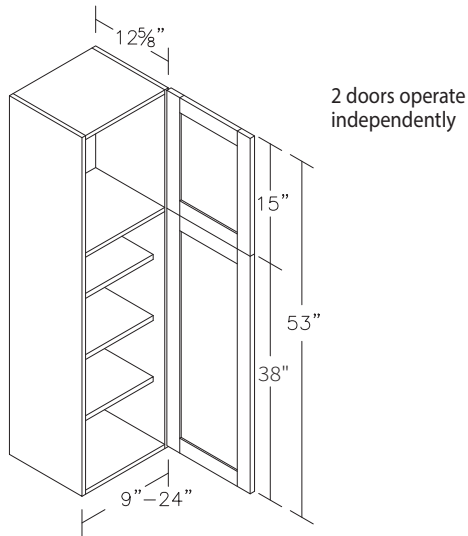
	1	2	3	4	5	6	7	8
WSC91551(L/R)	650	708	750	825	874	949	1074	1259
WSC121551(L/R)	703	769	813	898	952	1034	1173	1378
WSC151551(L/R)	758	831	879	971	1031	1123	1275	1499
WSC181551(L/R)	811	891	943	1044	1110	1208	1373	1620
WSC211551(L/R)	867	952	1010	1117	1190	1297	1476	1741
WSC241551(L/R)	893	982	1042	1154	1227	1339	1524	1799
WSC91851(L/R)	650	708	750	825	874	949	1074	1259
WSC121851(L/R)	703	769	813	898	952	1034	1173	1378
WSC151851(L/R)	758	831	879	971	1031	1123	1275	1499
WSC181851(L/R)	811	891	943	1044	1110	1208	1373	1620
WSC211851(L/R)	867	952	1010	1117	1190	1297	1476	1741
WSC241851(L/R)	893	982	1042	1154	1227	1339	1524	1799
WSC241551-2	1073	1166	1229	1344	1421	1536	1731	2015
WSC271551	1106	1204	1268	1389	1469	1590	1791	2090
WSC301551	1110	1208	1273	1394	1475	1597	1799	2100
WSC331551	1173	1277	1348	1479	1565	1698	1916	2239
WSC361551	1206	1315	1387	1524	1614	1751	1976	2313
WSC391551	1240	1353	1428	1568	1663	1803	2039	2386
WSC421551	1272	1389	1465	1611	1709	1855	2097	2457
WSC451551-2	1305	1425	1506	1656	1756	1906	2158	2531
WSC481551-2	1339	1462	1545	1702	1806	1961	2219	2605
WSC241851-2	1073	1166	1229	1344	1421	1536	1731	2015
WSC271851	1106	1204	1268	1389	1469	1590	1791	2090
WSC301851	1110	1208	1273	1394	1475	1597	1799	2100
WSC331851	1173	1277	1348	1479	1565	1698	1916	2239
WSC361851	1206	1315	1387	1524	1614	1751	1976	2313
WSC391851	1240	1353	1428	1568	1663	1803	2039	2386
WSC421851	1272	1389	1465	1611	1709	1855	2097	2457
WSC451851-2	1305	1425	1506	1656	1756	1906	2158	2531
WSC481851-2	1339	1462	1545	1702	1806	1961	2219	2605

PRODUCT DETAILS

- 3 adjustable shelves on units with 15" door; 2 adjustable shelves on units with 18" door
- 36" and above widths have 2 center stiles
- Door overhang (DO) option available

(L/R) specify L (hinge left) or R (hinge right) to cabinet code

Wall Stacked continued



WSC91553(L/R)	715	779	825	908	961	1044	1182	1385
WSC121553(L/R)	773	846	894	987	1047	1137	1290	1515
WSC151553(L/R)	834	914	967	1068	1134	1235	1402	1649
WSC181553(L/R)	892	980	1038	1148	1221	1329	1511	1782
WSC211553(L/R)	954	1047	1111	1229	1309	1427	1624	1915
WSC241553(L/R)	983	1081	1146	1269	1350	1472	1676	1979
WSC241553-2	1180	1283	1352	1479	1563	1690	1904	2216
WSC271553	1217	1324	1394	1528	1616	1750	1970	2299
WSC301553	1221	1329	1401	1534	1622	1757	1979	2310
WSC331553	1290	1405	1483	1627	1722	1867	2108	2463
WSC361553	1327	1446	1526	1676	1776	1926	2174	2544
WSC391553	1364	1488	1570	1725	1829	1984	2242	2625
WSC421553	1399	1528	1612	1772	1880	2040	2307	2703
WSC451553-2	1436	1567	1656	1821	1932	2097	2374	2784
WSC481553-2	1472	1609	1699	1872	1987	2157	2441	2865

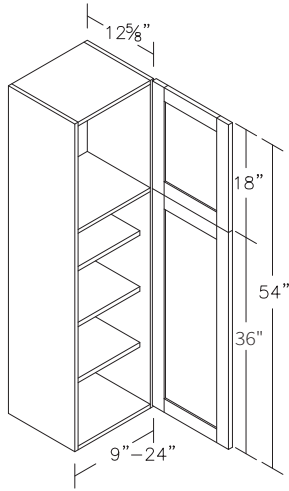
PRODUCT DETAILS

- 3 adjustable shelves
- 36" and above widths have 2 center stiles
- Door overhang (DO) option available

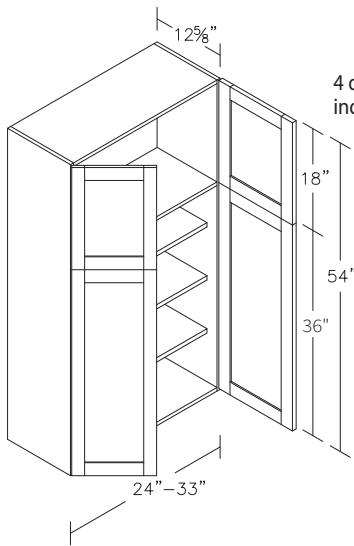
(L/R) specify L (hinge left) or R (hinge right) to cabinet code

WALL

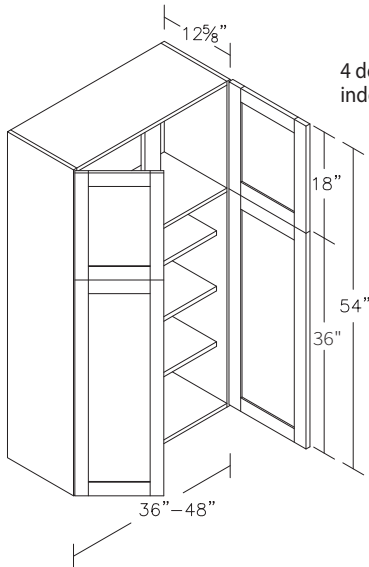
Wall Stacked continued



2 doors operate independently



4 doors operate independently



4 doors operate independently

WSC91854(L/R)	715	779	825	908	961	1044	1182	1385
WSC121854(L/R)	773	846	894	987	1047	1137	1290	1515
WSC151854(L/R)	834	914	967	1068	1134	1235	1402	1649
WSC181854(L/R)	892	980	1038	1148	1221	1329	1511	1782
WSC211854(L/R)	954	1047	1111	1229	1309	1427	1624	1915
WSC241854(L/R)	983	1081	1146	1269	1350	1472	1676	1979
WSC241854-2	1180	1283	1352	1479	1563	1690	1904	2216
WSC271854	1217	1324	1394	1528	1616	1750	1970	2299
WSC301854	1221	1329	1401	1534	1622	1757	1979	2310
WSC331854	1290	1405	1483	1627	1722	1867	2108	2463
WSC361854	1327	1446	1526	1676	1776	1926	2174	2544
WSC391854	1364	1488	1570	1725	1829	1984	2242	2625
WSC421854	1399	1528	1612	1772	1880	2040	2307	2703
WSC451854-2	1436	1567	1656	1821	1932	2097	2374	2784
WSC481854-2	1472	1609	1699	1872	1987	2157	2441	2865

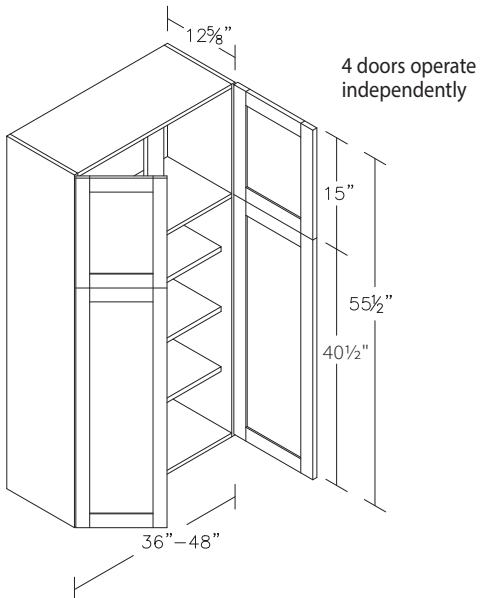
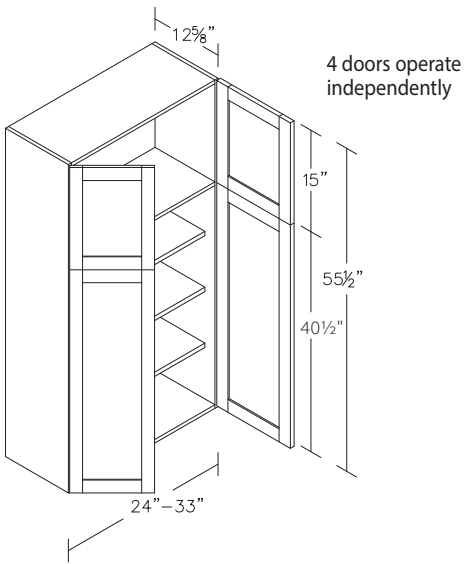
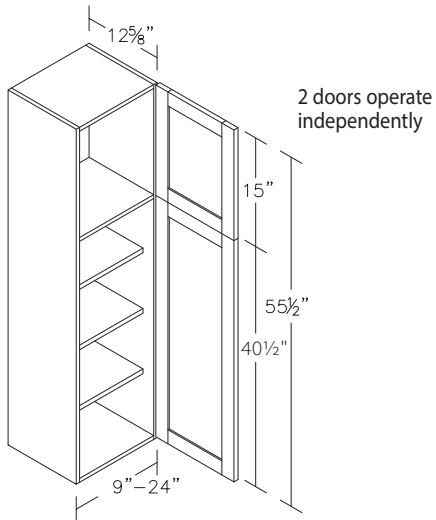
PRODUCT DETAILS

- 3 adjustable shelves
- 36" and above widths have 2 center stiles
- Door overhang (DO) option available

(L/R) specify L (hinge left) or R (hinge right) to cabinet code

wall cabinets

Wall Stacked continued



	1	2	3	4	5	6	7	8
WSC91555.5(L/R)	751	818	866	953	1009	1096	1241	1455
WSC121555.5(L/R)	812	889	939	1037	1099	1194	1355	1591
WSC15155.5(L/R)	876	959	1016	1122	1191	1297	1472	1731
WSC181555.5(L/R)	937	1029	1090	1205	1283	1395	1586	1871
WSC217555.5(L/R)	1001	1099	1167	1291	1374	1498	1705	2011
WSC241555.5(L/R)	1032	1135	1204	1332	1418	1546	1760	2078
WSC241555.5-2	1239	1347	1419	1553	1641	1774	1999	2327
WSC271555.5	1278	1390	1464	1604	1697	1837	2068	2414
WSC301555.5	1283	1395	1471	1610	1704	1845	2078	2425
WSC331555.5	1355	1475	1557	1708	1808	1961	2213	2586
WSC361555.5	1393	1519	1602	1760	1864	2022	2282	2671
WSC391555.5	1432	1562	1649	1811	1921	2083	2355	2756
WSC421555.5	1469	1604	1692	1861	1974	2142	2422	2838
WSC451555.5-2	1508	1646	1739	1913	2028	2202	2493	2923
WSC481555.5-2	1546	1689	1784	1966	2086	2265	2563	3009

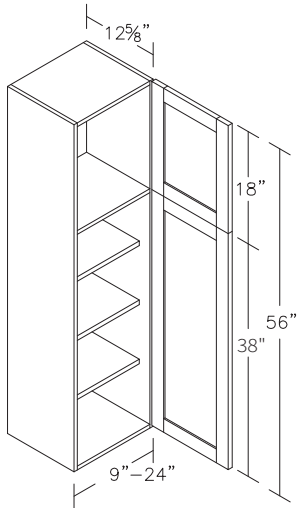
PRODUCT DETAILS

- 3 adjustable shelves
- 36" and above widths have 2 center stiles
- Door overhang (DO) option available

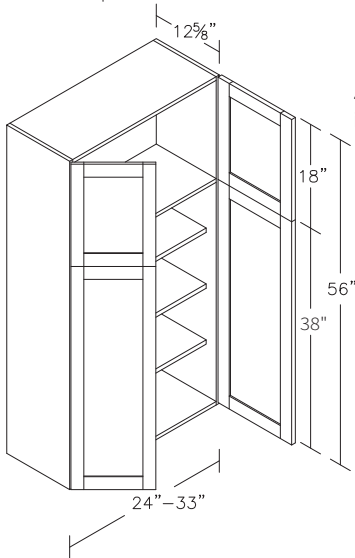
(L/R) specify L (hinge left) or R (hinge right) to cabinet code

WALL

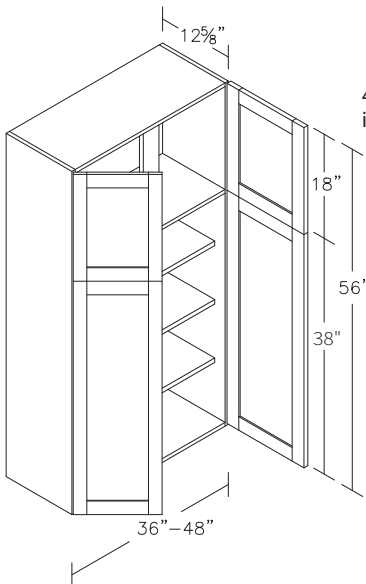
Wall Stacked continued



2 doors operate independently



4 doors operate independently



4 doors operate independently

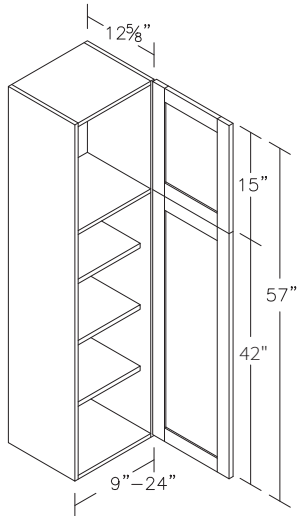
WSC91856(L/R)	751	818	866	953	1009	1096	1241	1455
WSC121856(L/R)	812	889	939	1037	1099	1194	1355	1591
WSC151856(L/R)	876	959	1016	1122	1191	1297	1472	1731
WSC181856(L/R)	937	1029	1090	1205	1283	1395	1586	1871
WSC211856(L/R)	1001	1099	1167	1291	1374	1498	1705	2011
WSC241856(L/R)	1032	1135	1204	1332	1418	1546	1760	2078
WSC241856-2	1239	1347	1419	1553	1641	1774	1999	2327
WSC271856	1278	1390	1464	1604	1697	1837	2068	2414
WSC301856	1283	1395	1471	1610	1704	1845	2078	2425
WSC331856	1355	1475	1557	1708	1808	1961	2213	2586
WSC361856	1393	1519	1602	1760	1864	2022	2282	2671
WSC391856	1432	1562	1649	1811	1921	2083	2355	2756
WSC421856	1469	1604	1692	1861	1974	2142	2422	2838
WSC451856-2	1508	1646	1739	1913	2028	2202	2493	2923
WSC481856-2	1546	1689	1784	1966	2086	2265	2563	3009

PRODUCT DETAILS

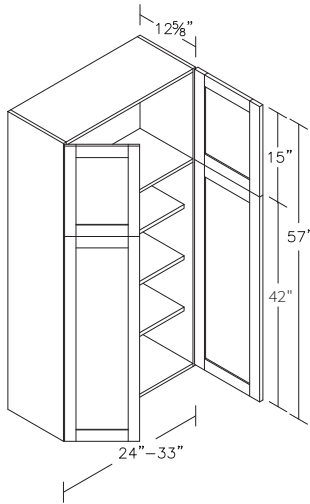
- 3 adjustable shelves
- 36" and above widths have 2 center stiles
- Door overhang (DO) option available

(L/R) specify L (hinge left) or R (hinge right) to cabinet code

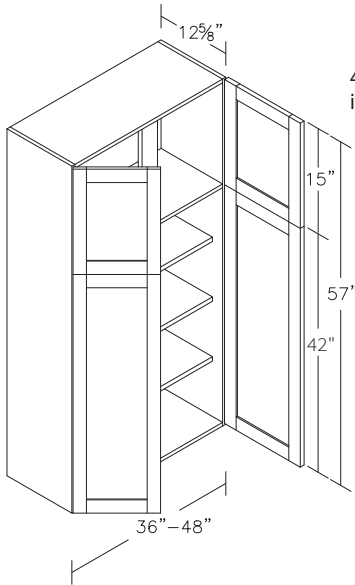
Wall Stacked continued



2 doors operate independently



4 doors operate independently



4 doors operate independently

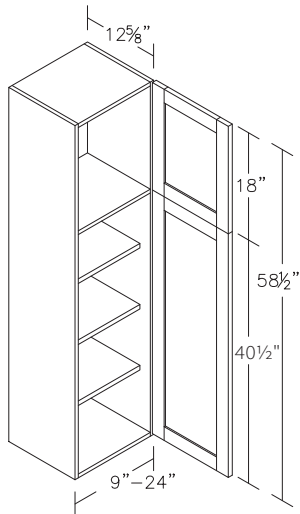
WSC91557(L/R)	786	857	908	998	1057	1148	1300	1524
WSC121557(L/R)	850	931	983	1086	1152	1251	1419	1667
WSC151557(L/R)	918	1005	1064	1175	1248	1359	1542	1813
WSC181557(L/R)	982	1078	1142	1263	1344	1461	1662	1960
WSC217557(L/R)	1049	1152	1222	1352	1440	1569	1786	2106
WSC241557(L/R)	1081	1189	1261	1396	1485	1620	1844	2177
WSC241557-2	1298	1411	1487	1626	1719	1859	2095	2438
WSC271557	1339	1456	1534	1680	1778	1924	2167	2529
WSC301557	1344	1461	1541	1687	1785	1933	2177	2541
WSC331557	1419	1546	1632	1790	1894	2054	2318	2709
WSC361557	1460	1591	1679	1844	1953	2118	2391	2798
WSC391557	1500	1637	1727	1898	2012	2182	2467	2888
WSC421557	1539	1680	1773	1950	2068	2244	2537	2973
WSC451557-2	1579	1724	1822	2004	2125	2307	2611	3063
WSC481557-2	1620	1770	1869	2059	2185	2372	2686	3152

PRODUCT DETAILS

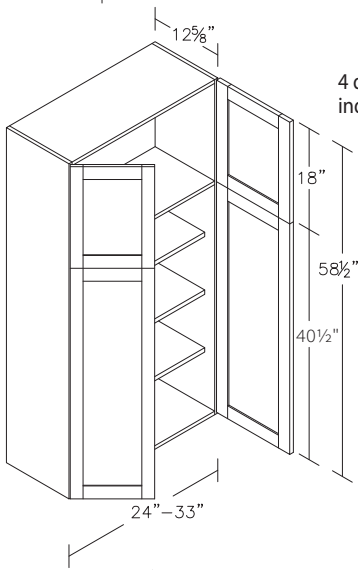
- 3 adjustable shelves
- 36" and above widths have 2 center stiles
- Door overhang (DO) option available

(L/R) specify L (hinge left) or R (hinge right) to cabinet code

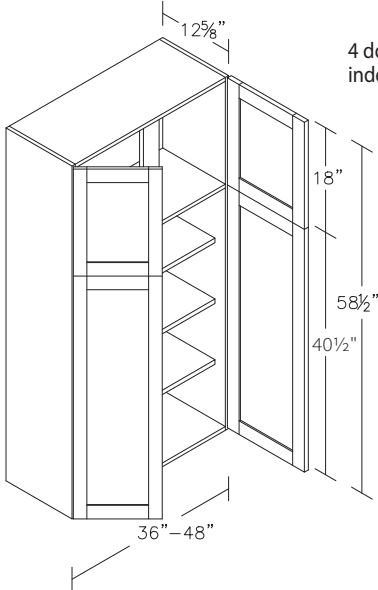
Wall Stacked continued



2 doors operate independently



4 doors operate independently



4 doors operate independently

WSC91858.5(L/R)	786	857	908	998	1057	1148	1300	1524
WSC121858.5(L/R)	850	931	983	1086	1152	1251	1419	1667
WSC151858.5(L/R)	918	1005	1064	1175	1248	1359	1542	1813
WSC181858.5(L/R)	982	1078	1142	1263	1344	1461	1662	1960
WSC211858.5(L/R)	1049	1152	1222	1352	1440	1569	1786	2106
WSC241858.5(L/R)	1081	1189	1261	1396	1485	1620	1844	2177

WSC241858.5-2	1298	1411	1487	1626	1719	1859	2095	2438
WSC271858.5	1339	1456	1534	1680	1778	1924	2167	2529
WSC301858.5	1344	1461	1541	1687	1785	1933	2177	2541
WSC331858.5	1419	1546	1632	1790	1894	2054	2318	2709
WSC361858.5	1460	1591	1679	1844	1953	2118	2391	2798
WSC391858.5	1500	1637	1727	1898	2012	2182	2467	2888
WSC421858.5	1539	1680	1773	1950	2068	2244	2537	2973
WSC451858.5-2	1579	1724	1822	2004	2125	2307	2611	3063
WSC481858.5-2	1620	1770	1869	2059	2185	2372	2686	3152

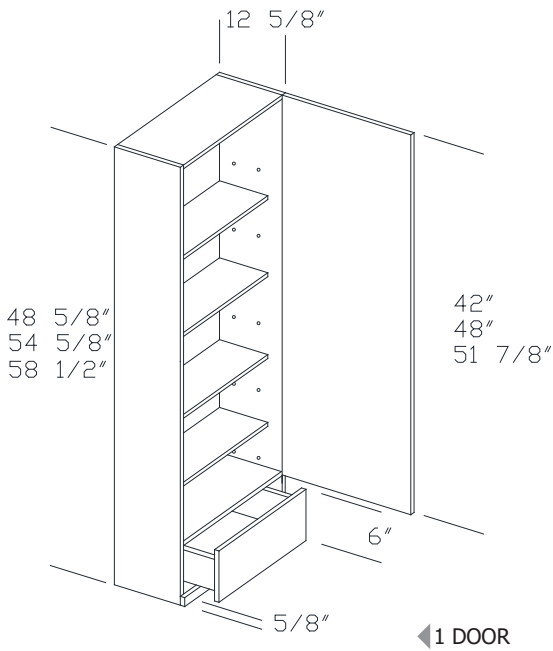
PRODUCT DETAILS

- 3 adjustable shelves
- 36" and above widths have 2 center stiles
- Door overhang (DO) option available

(L/R) specify L (hinge left) or R (hinge right) to cabinet code

WALL

Wall with 1 Drawer



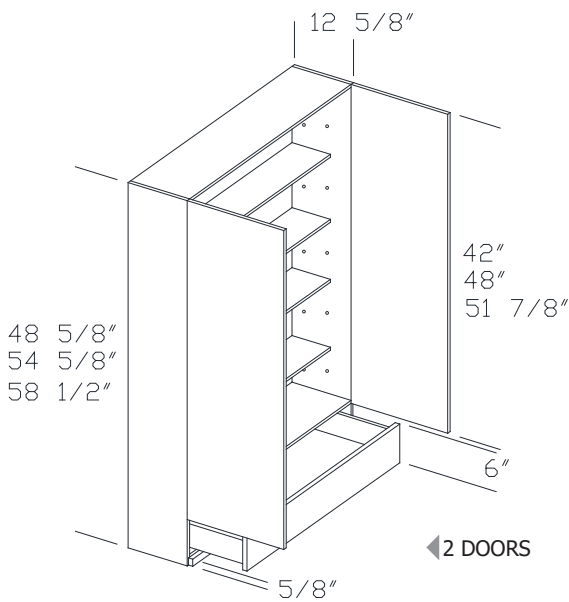
WDS15481V(L/R)	789	884	947	1066	1145	1264	1461	1752
WDS18481V(L/R)	833	933	999	1124	1207	1332	1540	1849
WDS21481V(L/R)	876	981	1051	1182	1270	1402	1620	1945
WDS15541V(L/R)	841	942	1010	1136	1220	1347	1557	1868
WDS18541V(L/R)	885	991	1062	1194	1283	1415	1637	1965
WDS21541V(L/R)	930	1042	1116	1255	1349	1488	1721	2065
WDS1558.51V(L/R)	894	1002	1073	1207	1297	1431	1655	1985
WDS1858.51V(L/R)	942	1056	1130	1272	1366	1507	1743	2091
WDS2158.51V(L/R)	991	1110	1189	1337	1436	1585	1832	2200
WDS2448-21V	1008	1129	1210	1361	1461	1613	1865	2238
WDS2454-21V	1078	1207	1294	1456	1563	1725	1995	2394
WDS2458.5-21V	1147	1285	1377	1550	1664	1837	2123	2548

PRODUCT DETAILS

- 48 5/8" unit has 3 adjustable shelves, taller units have 4 adjustable shelves
- 1 drawer, one 5/8" filler
- 1 fixed shelf above drawer

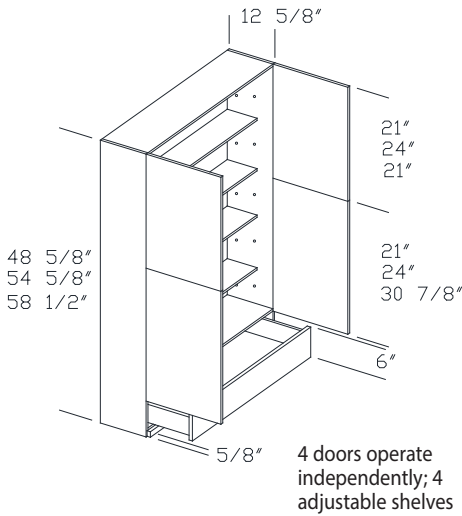
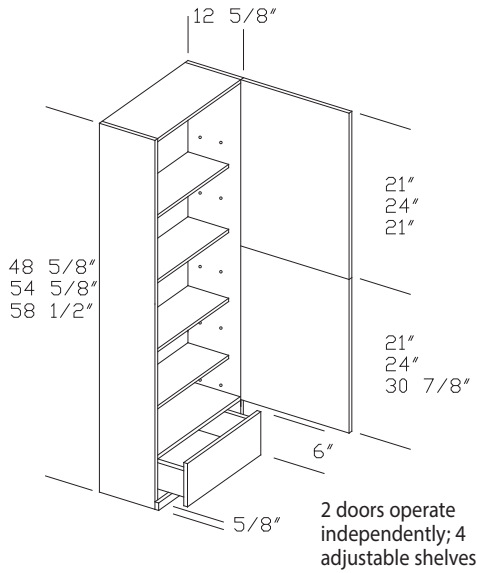
DESIGN CONSIDERATIONS

- Unit is for use with non-backsplash countertops
- Only available in wood door styles; not available in Melamine, Veneer, Thermofoil, Acrylic, or HDF door styles



(L/R) specify L (hinge left) or R (hinge right) to cabinet code

Wall with 1 Drawer, Split Door



WD15481V(L/R)	789	884	947	1066	1145	1264	1461	1752
WD18481V(L/R)	833	933	999	1124	1207	1332	1540	1849
WD21481V(L/R)	876	981	1051	1182	1270	1402	1620	1945
WD15541V(L/R)	841	942	1010	1136	1220	1347	1557	1868
WD18541V(L/R)	885	991	1062	1194	1283	1415	1637	1965
WD21541V(L/R)	930	1042	1116	1255	1349	1488	1721	2065
WD1558.51V(L/R)	894	1002	1073	1207	1297	1431	1655	1985
WD1858.51V(L/R)	942	1056	1130	1272	1366	1507	1743	2091
WD2158.51V(L/R)	991	1110	1189	1337	1436	1585	1832	2200
WD2448-21V	1008	1129	1210	1361	1461	1613	1865	2238
WD2454-21V	1078	1207	1294	1456	1563	1725	1995	2394
WD2458.5-21V	1147	1285	1377	1550	1664	1837	2123	2548

PRODUCT DETAILS

- 48⁵/₈" unit has 3 adjustable shelves, taller units have 4 adjustable shelves
- 1 drawer, one ⁵/₈" filler
- 1 fixed shelf above drawer

DESIGN CONSIDERATIONS

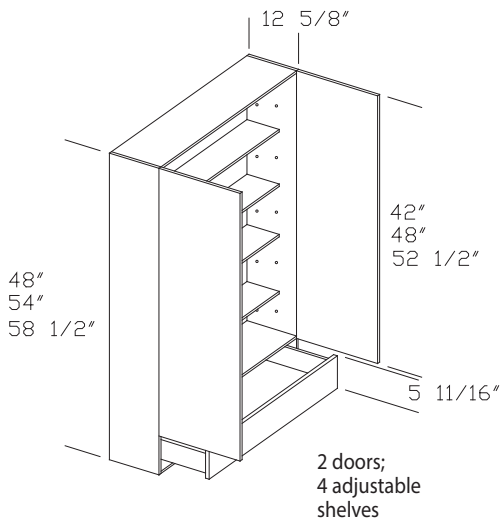
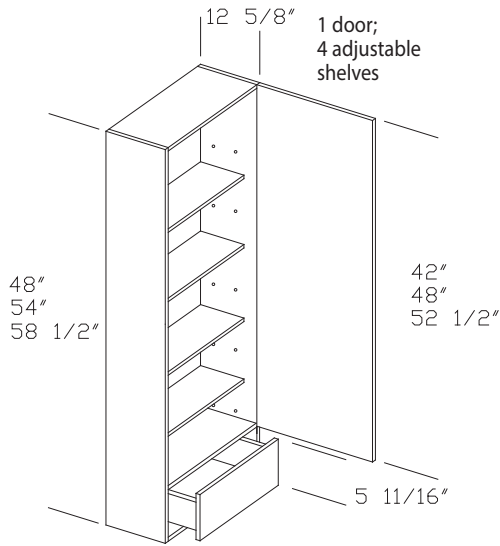
- Unit is for use with non backsplash countertops
- Only available in wood door styles; not available in Melamine, Veneer, Thermofoil, Acrylic, or HDF door styles

(L/R) specify L (hinge left) or R (hinge right) to cabinet code

wall cabinets

1 2 3 4 5 6 7 8

Wall with 1 Drawer, Slab Front



WDSX15481V(L/R)	789	884	947	1066	1145	1264	1461	1752
WDSX18481V(L/R)	833	933	999	1124	1207	1332	1540	1849
WDSX21481V(L/R)	876	981	1051	1182	1270	1402	1620	1945
WDSX15541V(L/R)	841	942	1010	1136	1220	1347	1557	1868
WDSX18541V(L/R)	885	991	1062	1194	1283	1415	1637	1965
WDSX21541V(L/R)	930	1042	1116	1255	1349	1488	1721	2065
WDSX1558.51V(L/R)	894	1002	1073	1207	1297	1431	1655	1985
WDSX1858.51V(L/R)	942	1056	1130	1272	1366	1507	1743	2091
WDSX2158.51V(L/R)	991	1110	1189	1337	1436	1585	1832	2200
WDSX2448-21V	1008	1129	1210	1361	1461	1613	1865	2238
WDSX2454-21V	1078	1207	1294	1456	1563	1725	1995	2394
WDSX2458.5-21V	1147	1285	1377	1550	1664	1837	2123	2548

PRODUCT DETAILS

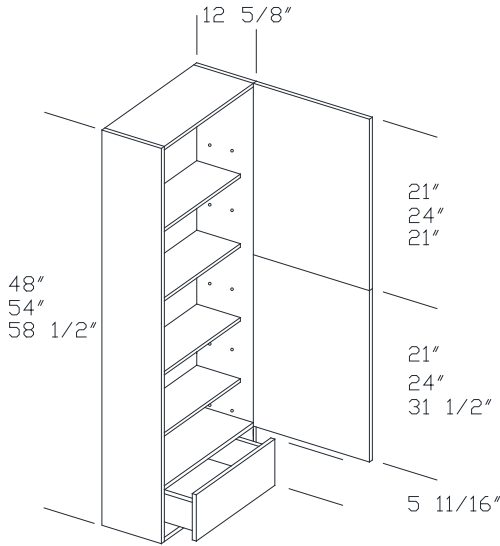
- 48" has 3 adjustable shelves, taller units have 4 adjustable shelves
- 1 drawer
- 1 fixed shelf above drawer

DESIGN CONSIDERATIONS

- These units are only available with slab fronts
- Unit is for use with non backsplash countertops

(L/R) specify L (hinge left) or R (hinge right) to cabinet code

Wall with 1 Drawer, Split Door, Slab Front



2 doors operate independently;
4 adjustable shelves

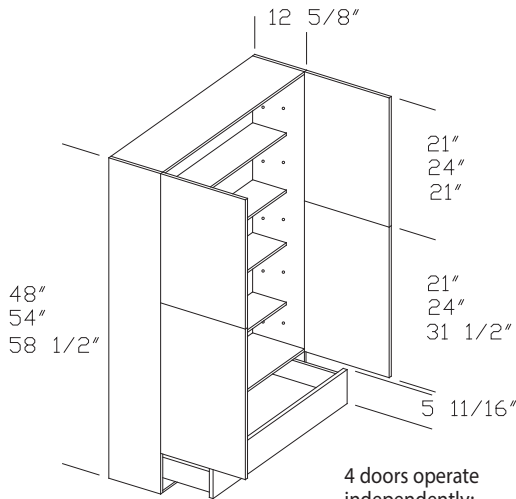
WDX15481V(L/R)	789	884	947	1066	1145	1264	1461	1752
WDX18481V(L/R)	833	933	999	1124	1207	1332	1540	1849
WDX21481V(L/R)	876	981	1051	1182	1270	1402	1620	1945
WDX15541V(L/R)	841	942	1010	1136	1220	1347	1557	1868
WDX18541V(L/R)	885	991	1062	1194	1283	1415	1637	1965
WDX21541V(L/R)	930	1042	1116	1255	1349	1488	1721	2065
WDX1558.51V(L/R)	894	1002	1073	1207	1297	1431	1655	1985
WDX1858.51V(L/R)	942	1056	1130	1272	1366	1507	1743	2091
WDX2158.51V(L/R)	991	1110	1189	1337	1436	1585	1832	2200
WDX2448-21V	1008	1129	1210	1361	1461	1613	1865	2238
WDX2454-21V	1078	1207	1294	1456	1563	1725	1995	2394
WDX2458.5-21V	1147	1285	1377	1550	1664	1837	2123	2548

PRODUCT DETAILS

- 48" has 3 adjustable shelves, taller units have 4 adjustable shelves
- 1 drawer
- 1 fixed shelf above drawer

DESIGN CONSIDERATIONS

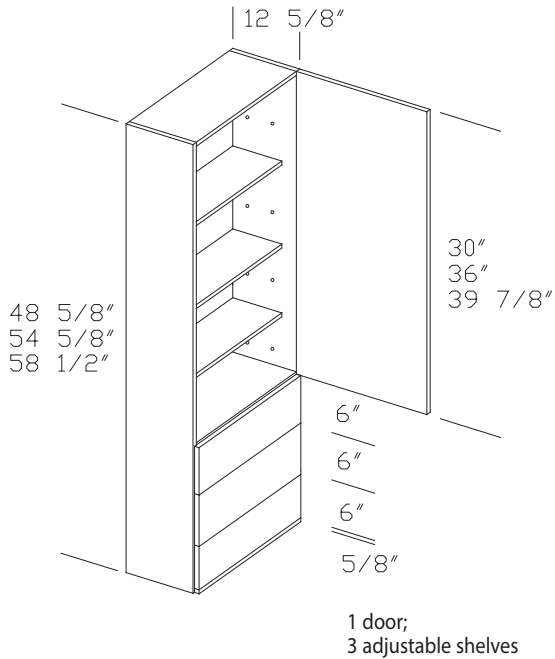
- These units are only available with slab fronts
- Unit is for use with non backsplash countertops



4 doors operate independently;
4 adjustable shelves

(L/R) specify L (hinge left) or R (hinge right) to cabinet code

Wall with 3 Drawers



WD18483V(L/R)	833	933	999	1124	1207	1332	1540	1849
WD18543V(L/R)	885	991	1062	1194	1283	1415	1637	1965
WD1858.53V(L/R)	942	1056	1130	1272	1366	1507	1743	2091

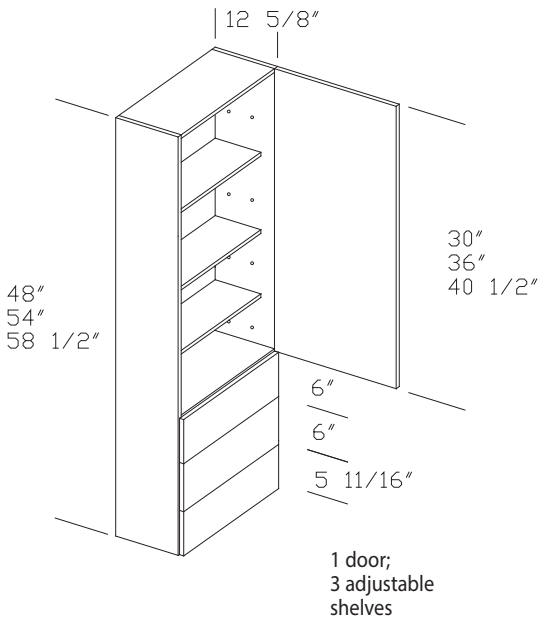
PRODUCT DETAILS

- 48 5/8" has 2 adjustable shelves, taller units have 3 adjustable shelves
- 3 drawers, one 5/8" filler
- 1 fixed shelf above drawer

DESIGN CONSIDERATIONS

- Unit is for use with non backsplash countertops
- Only available in wood door styles; not available in Melamine, Veneer, Thermofoil, Acrylic, or HDF door styles

Wall with 3 Drawers, Slab Front



WDX18483V(L/R)	833	933	999	1124	1207	1332	1540	1849
WDX18543V(L/R)	885	991	1062	1194	1283	1415	1637	1965
WDX1858.53V(L/R)	942	1056	1130	1272	1366	1507	1743	2091

PRODUCT DETAILS

- 48" has 2 adjustable shelves, tall units have 3 adjustable shelves
- 3 drawers
- 1 fixed shelf above drawer

DESIGN CONSIDERATIONS

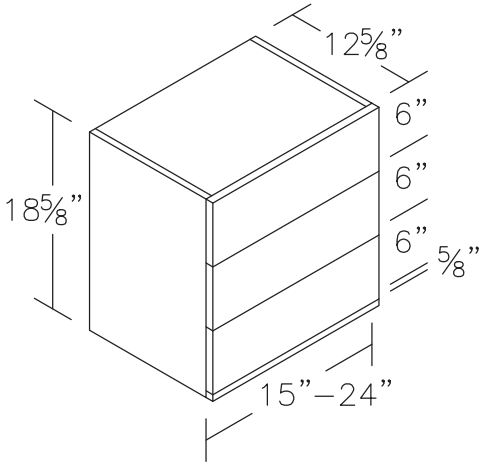
- These units are only available with slab fronts
- Unit is for use with non backsplash countertops

(L/R) specify L (hinge left) or R (hinge right) to cabinet code

wall cabinets

	1	2	3	4	5	6	7	8
--	---	---	---	---	---	---	---	---

Wall Storage Drawer - 3 Drawers



WSD15	664	664	664	664	664	664	664	730
WSD18	703	703	703	703	703	703	703	773
WSD21	744	744	744	744	744	744	744	818
WSD24	796	796	796	796	796	796	796	875

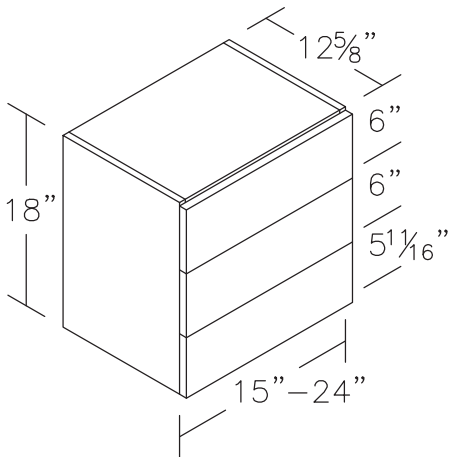
PRODUCT DETAILS

- Three 6" high drawers, one 5/8" filler
- Wood styles come with Veneer ends

DESIGN CONSIDERATIONS

- Unit is for use with non backsplash countertops
- Only available in wood door styles; not available in Melamine, Veneer, Thermofoil, Acrylic, or HDF door styles

Wall Storage Drawer - 3 Drawers, Slab Front



WSDX15	664	664	664	664	664	664	664	730
WSDX18	703	703	703	703	703	703	703	773
WSDX21	744	744	744	744	744	744	744	818
WSDX24	796	796	796	796	796	796	796	875

PRODUCT DETAILS

- Two 6" high drawers and one 5 11/16" high drawer
- Wood styles come with veneer ends

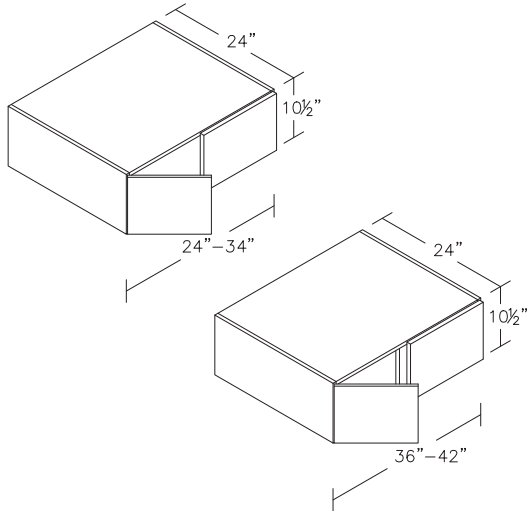
DESIGN CONSIDERATIONS

- These units are only available with slab fronts
- Unit is for use with non backsplash countertops

WALL

wall cabinets

Refrigerator Wall, 10 1/2" High

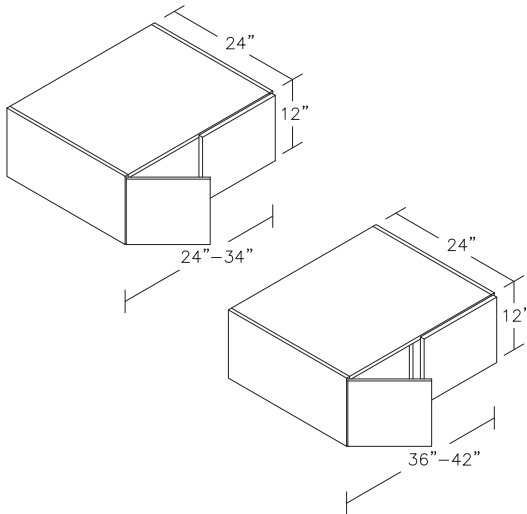


	1	2	3	4	5	6	7	8
W2410.524-2	431	483	517	581	624	688	797	956
W2710.524	451	505	541	608	654	722	834	1002
W3010.524	471	528	566	636	683	755	873	1047
W3310.524	492	551	591	665	713	787	910	1093
W3410.524	513	574	616	692	744	821	948	1138
W3610.524	534	597	640	720	773	853	987	1184
W3710.524	553	620	665	748	803	886	1024	1229
W3910.524	574	644	690	776	833	919	1063	1275
W4210.524	596	668	716	805	864	954	1102	1323

PRODUCT DETAILS

- 2 doors
- No shelf
- 36" and above widths have a center stile
- Door overhang (DO) option available

Refrigerator Wall, 12" High

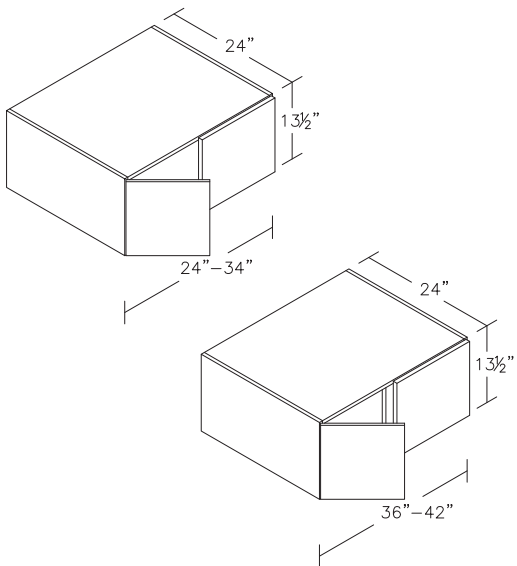


W241224-2	440	493	528	594	639	704	814	978
W271224	461	516	553	622	668	737	853	1023
W301224	482	539	577	650	698	770	890	1068
W331224	502	562	602	677	728	803	929	1114
W341224	522	586	627	705	757	836	966	1160
W361224	543	608	651	733	787	868	1005	1205
W371224	564	631	676	760	817	902	1042	1251
W391224	584	654	701	788	847	935	1081	1297
W421224	604	677	726	816	877	967	1119	1343

PRODUCT DETAILS

- 2 doors
- No shelf
- 36" and above widths have a center stile
- Door overhang (DO) option available

Refrigerator Wall, 13 1/2" High



W2413.524-2	450	504	540	607	652	720	832	998
W2713.524	470	527	565	635	682	753	870	1044
W3013.524	491	550	590	662	712	785	908	1090
W3313.524	512	573	614	691	742	818	946	1136
W3413.524	532	596	639	719	772	852	985	1181
W3613.524	552	619	664	746	802	884	1022	1227
W3713.524	573	642	687	774	831	917	1061	1273
W3913.524	594	665	712	802	861	951	1098	1319
W4213.524	615	688	737	829	891	983	1137	1363

PRODUCT DETAILS

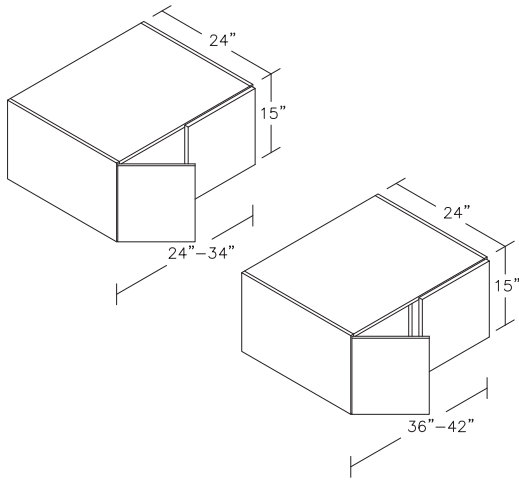
- 2 doors
- No shelf
- 36" and above widths have a center stile
- Door overhang (DO) option available

WALL

wall cabinets

1 2 3 4 5 6 7 8

Refrigerator Wall, 15" High

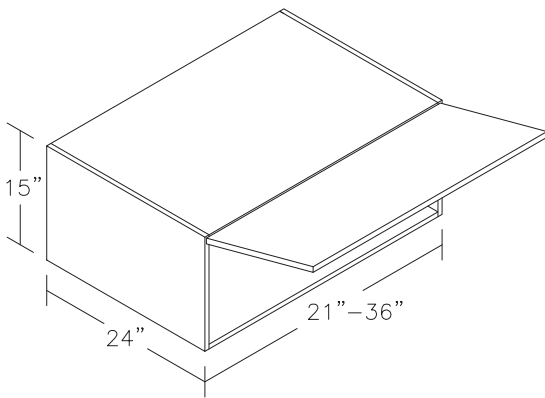


W241524-2	454	509	545	614	658	727	840	1009
W271524	468	524	562	632	679	750	866	1040
W301524	483	541	579	651	700	772	892	1071
W331524	496	556	596	670	720	795	918	1102
W341524	511	572	613	690	740	816	944	1134
W361524	524	588	629	708	760	839	970	1165
W371524	539	603	647	727	781	862	996	1196
W391524	552	619	664	746	802	884	1022	1227
W421524	567	634	680	765	822	907	1048	1258

PRODUCT DETAILS

- 2 doors
- No shelf
- 36" and above widths have a center stile
- Door overhang (DO) option available

Refrigerator Wall, 15" High Flip Up



WFLU211524	725	816	876	989	1065	1178	1367	1646
WFLU241524	735	826	886	999	1075	1188	1377	1656
WFLU271524	745	836	896	1009	1085	1198	1387	1666
WFLU301524	755	846	906	1019	1095	1208	1397	1676
WFLU331524	785	879	941	1060	1138	1255	1452	1742
WFLU361524	811	908	973	1095	1176	1298	1500	1800

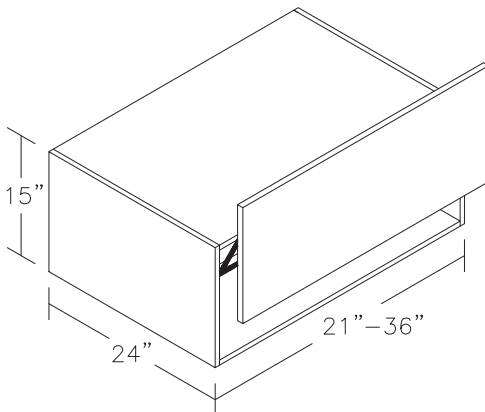
PRODUCT DETAILS

- 1 door
- No shelf
- No center stile
- Includes lid stay
- Door overhang (DO) option available

DESIGN CONSIDERATIONS

- Allow 7" of free space from the top of the cabinet to allow for the door to open completely
- Minimum cabinet height=10"
Minimum cabinet width=9"
Minimum cabinet depth=12"

Refrigerator Wall, 15" High Lift Up



WLU211524	876	987	1061	1199	1291	1430	1660	2001
WLU241524	891	1002	1076	1214	1306	1445	1675	2016
WLU271524	906	1017	1091	1229	1321	1460	1690	2031
WLU301524	921	1032	1106	1244	1336	1475	1705	2046
WLU331524	958	1072	1149	1293	1388	1532	1771	2126
WLU361524	989	1108	1187	1335	1434	1583	1830	2196

PRODUCT DETAILS

- 1 door
- No shelf
- No center stile
- Door overhang (DO) option available

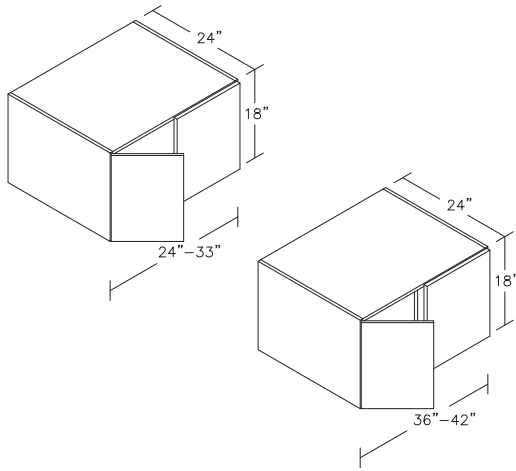
DESIGN CONSIDERATIONS

- Allow 16½" of free space from the top of the cabinet to allow for the door to open completely
- Minimum cabinet height=12"
Minimum cabinet width=9"
Minimum cabinet depth=12"

WALL

wall cabinets

Refrigerator Wall, 18" High

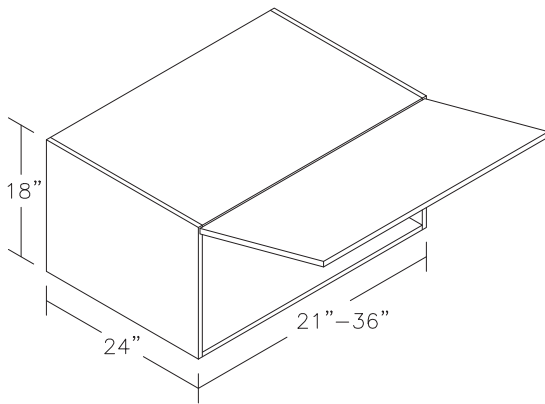


	1	2	3	4	5	6	7	8
W241824-2	462	517	554	624	670	739	855	1025
W271824-2	476	534	571	643	691	761	881	1057
W301824	490	549	588	661	710	784	907	1088
W331824	504	565	605	680	731	806	933	1119
W341824	518	580	622	700	751	829	959	1150
W361824	532	596	639	719	772	852	985	1181
W371824	546	612	655	737	792	874	1011	1213
W391824	561	627	672	756	812	896	1037	1244
W421824	574	644	690	776	833	919	1063	1275

PRODUCT DETAILS

- 2 doors
- No shelf
- 36" and above widths have a center stile
- Door overhang (DO) option available

Refrigerator Wall, 18" High Flip Up



WFLU211824	790	888	954	1077	1159	1281	1487	1790
WFLU241824	800	898	964	1087	1169	1291	1497	1800
WFLU271824	810	908	974	1097	1179	1301	1507	1810
WFLU301824	820	918	984	1107	1189	1311	1517	1820
WFLU331824	851	953	1020	1148	1233	1361	1574	1889
WFLU361824	861	964	1033	1162	1248	1377	1592	1912

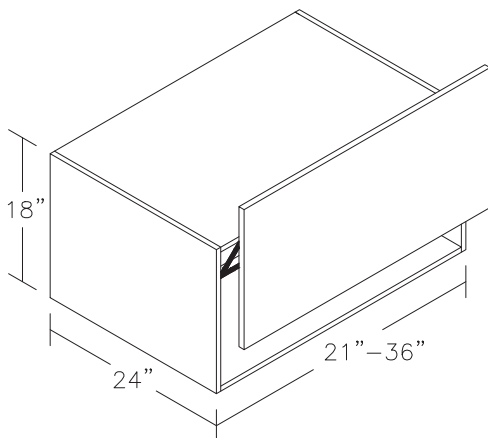
PRODUCT DETAILS

- 1 door
- No shelf
- No center stile
- Includes lid stay
- Door overhang (DO) option available

DESIGN CONSIDERATIONS

- Allow 7" of free space from the top of the cabinet to allow for the door to open completely
- Minimum cabinet height=10"
Minimum cabinet width=9"
Minimum cabinet depth=12"

Refrigerator Wall, 18" High Lift Up



WLU211824	955	1075	1155	1306	1406	1556	1805	2175
WLU241824	970	1090	1170	1321	1421	1571	1820	2190
WLU271824	985	1105	1185	1336	1436	1586	1835	2205
WLU301824	1000	1120	1200	1351	1451	1601	1850	2220
WLU331824	1038	1163	1245	1401	1505	1661	1920	2304
WLU361824	1050	1176	1260	1418	1523	1681	1943	2332

PRODUCT DETAILS

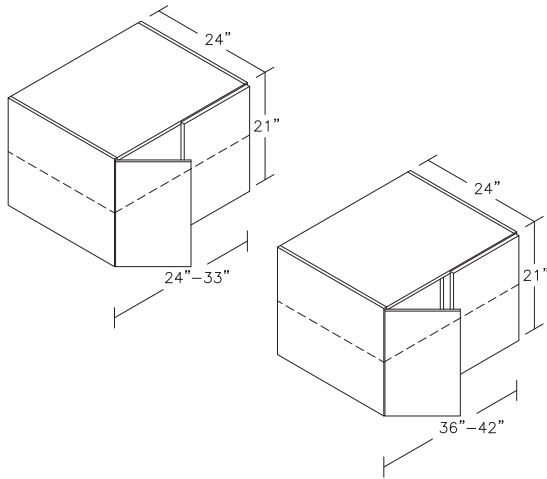
- 1 door
- No shelf
- No center stile
- Door overhang (DO) option available

DESIGN CONSIDERATIONS

- Allow 16½" of free space from the top of the cabinet to allow for the door to open completely
- Minimum cabinet height=10"
Minimum cabinet width=9"
Minimum cabinet depth=12"

wall cabinets

Refrigerator Wall, 21" High

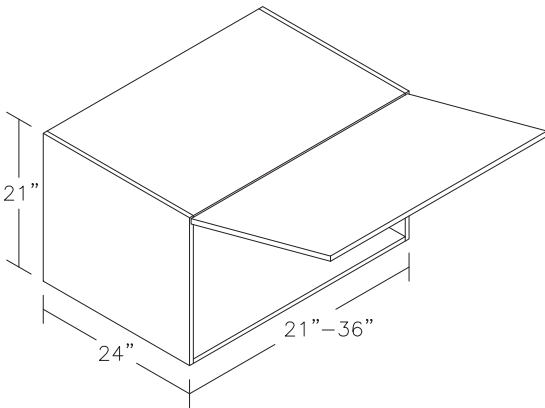


	1	2	3	4	5	6	7	8
W242124-2	469	526	564	633	680	751	868	1042
W272124	491	550	590	662	712	785	908	1090
W302124	513	574	616	692	744	821	948	1138
W332124	535	598	642	722	775	855	988	1187
W342124	556	623	667	751	806	889	1029	1234
W362124	577	647	693	780	837	925	1068	1282
W372124	599	671	719	809	868	959	1109	1330
W392124	621	696	745	838	901	993	1148	1378
W422124	643	720	771	867	932	1028	1189	1426

PRODUCT DETAILS

- 2 doors
- 1 adjustable shelf
- 36" and above widths have a center stile

Refrigerator Wall, 21" High Flip Up



WFLU212124	854	960	1031	1163	1252	1384	1605	1932
WFLU242124	864	970	1041	1173	1262	1394	1615	1942
WFLU272124	874	980	1051	1183	1272	1404	1625	1952
WFLU302124	884	990	1061	1193	1282	1414	1635	1962
WFLU332124	894	1002	1073	1207	1297	1431	1655	1986
WFLU362124	913	1022	1096	1232	1324	1461	1689	2027

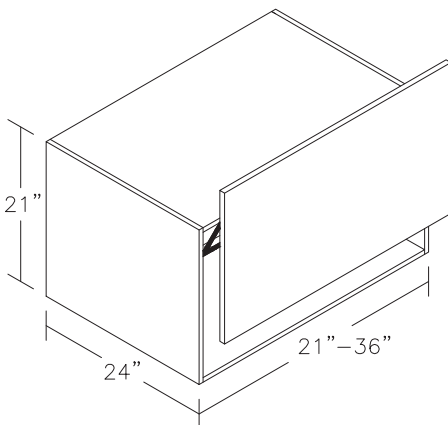
PRODUCT DETAILS

- 1 door
- No shelf
- No center stile
- Includes lid stay
- Door overhang (DO) option available

DESIGN CONSIDERATIONS

- Allow 7" of free space from the top of the cabinet to allow for the door to open completely
- Minimum cabinet height=10"
Minimum cabinet width=9"
Minimum cabinet depth=12"

Refrigerator Wall, 21" High Lift Up



WLU212124	1035	1164	1250	1412	1520	1682	1952	2352
WLU242124	1050	1179	1265	1427	1535	1697	1967	2367
WLU272124	1065	1194	1280	1442	1550	1712	1982	2382
WLU302124	1080	1209	1295	1457	1565	1727	1997	2397
WLU332124	1096	1228	1315	1480	1589	1754	2028	2433
WLU362124	1114	1248	1337	1504	1615	1782	2061	2473

PRODUCT DETAILS

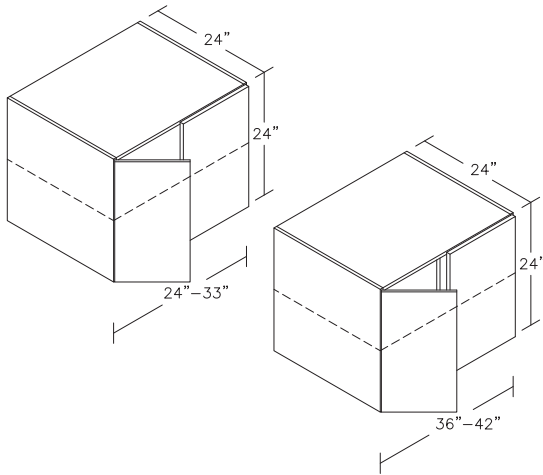
- 1 door
- No shelf
- No center stile
- Door overhang (DO) option available

DESIGN CONSIDERATIONS

- Allow 16 1/2" of free space from the top of the cabinet to allow for the door to open completely
- Minimum cabinet height=10"
Minimum cabinet width=9"
Minimum cabinet depth=12"

wall cabinets

Refrigerator Wall, 24" High

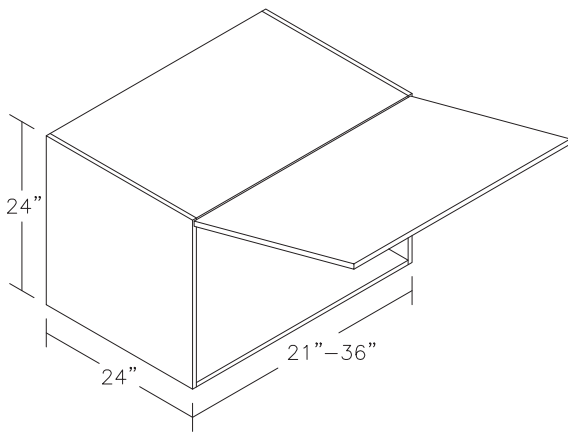


	1	2	3	4	5	6	7	8
W242424-2	491	550	590	662	712	785	908	1090
W272424	513	574	616	692	744	821	948	1138
W302424	535	598	642	722	775	855	988	1187
W332424	556	623	667	751	806	889	1029	1234
W342424	577	647	693	780	837	925	1068	1282
W362424	599	671	719	809	868	959	1109	1330
W372424	621	696	745	838	901	993	1148	1378
W392424	643	720	771	867	932	1028	1189	1426
W422424	665	744	797	896	963	1063	1228	1475

PRODUCT DETAILS

- 2 doors
- 1 adjustable shelf
- 36" and above widths have a center stile
- Door overhang (DO) option available

Refrigerator Wall, 24" High Flip Up



WFLU212424	911	1024	1099	1241	1335	1476	1711	2059
WFLU242424	921	1034	1109	1251	1345	1486	1721	2069
WFLU272424	931	1044	1119	1261	1355	1496	1731	2079
WFLU302424	941	1054	1129	1271	1365	1506	1741	2089
WFLU332424	952	1066	1142	1285	1380	1523	1760	2113
WFLU362424	963	1078	1155	1300	1397	1541	1782	2138

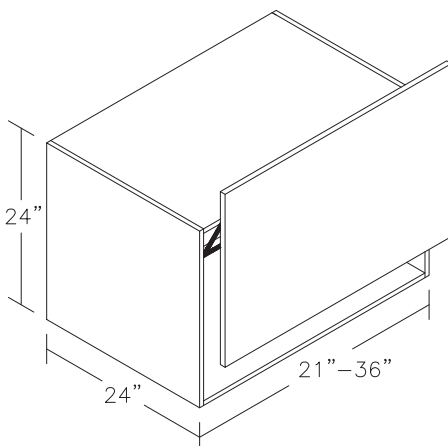
PRODUCT DETAILS

- 1 door
- No shelf
- No center stile
- Includes lid stay
- Door overhang (DO) option available

DESIGN CONSIDERATIONS

- Allow 7" of free space from the top of the cabinet to allow for the door to open completely
- Minimum cabinet height=10"
Minimum cabinet width=9"
Minimum cabinet depth=12"

Refrigerator Wall, 24" High Lift Up



WLU212424	1109	1248	1340	1513	1629	1802	2091	2518
WLU242424	1124	1263	1355	1528	1644	1817	2106	2533
WLU272424	1139	1278	1370	1543	1659	1832	2121	2548
WLU302424	1154	1293	1385	1558	1674	1847	2136	2563
WLU332424	1165	1305	1398	1572	1689	1864	2155	2586
WLU362424	1175	1316	1410	1586	1704	1880	2174	2608

PRODUCT DETAILS

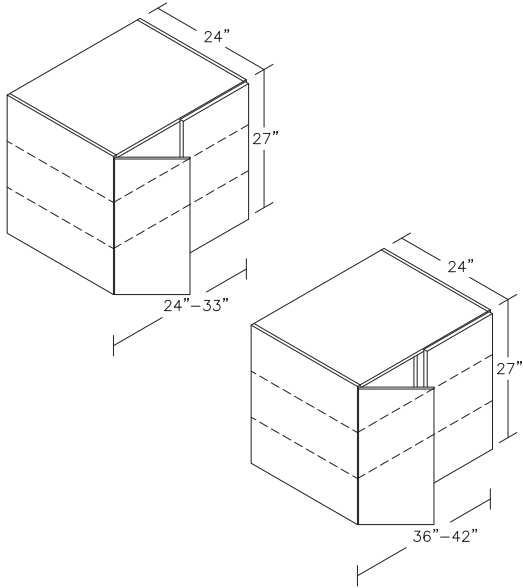
- 1 door
- No shelf
- No center stile
- Door overhang (DO) option available

DESIGN CONSIDERATIONS

- Allow 16 1/2" of free space from the top of the cabinet to allow for the door to open completely
- Minimum cabinet height=10"
Minimum cabinet width=9"
Minimum cabinet depth=12"

wall cabinets

Refrigerator Wall, 27" High

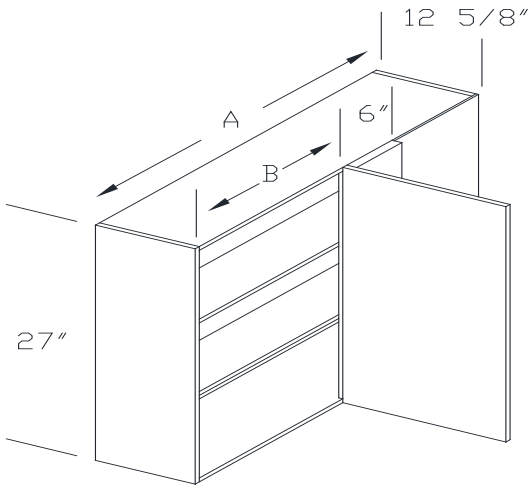


	1	2	3	4	5	6	7	8
W242724-2	535	598	642	722	775	855	988	1187
W272724	556	623	667	751	806	889	1029	1234
W302724	577	647	693	780	837	925	1068	1282
W332724	599	671	719	809	868	959	1109	1330
W342724	621	696	745	838	901	993	1148	1378
W362724	643	720	771	867	932	1028	1189	1426
W372724	665	744	797	896	963	1063	1228	1475
W392724	685	768	823	926	994	1097	1269	1523
W422724	707	792	849	955	1025	1132	1308	1570

PRODUCT DETAILS

- 2 doors
- 2 adjustable shelves
- 36" and above widths have a center stile
- Door overhang (DO) option available

Wall Corner (Blind Cabinet)



	1	2	3	4	5	6	7	8
WC(L/R)242712	371	416	445	501	538	594	686	824
WC(L/R)272715	394	441	472	531	571	630	728	874
WC(L/R)302718	427	478	513	577	620	683	790	948
WC(L/R)332721	453	508	544	612	657	725	838	1006
WC(L/R)362724	475	531	570	641	688	759	879	1055

PRODUCT DETAILS

- 1 door
- 2 adjustable shelves
- 6" profiled filler on blind side
- Allow for hardware, if applicable
- Hinging on filler side
- Door overhang (DO) option available

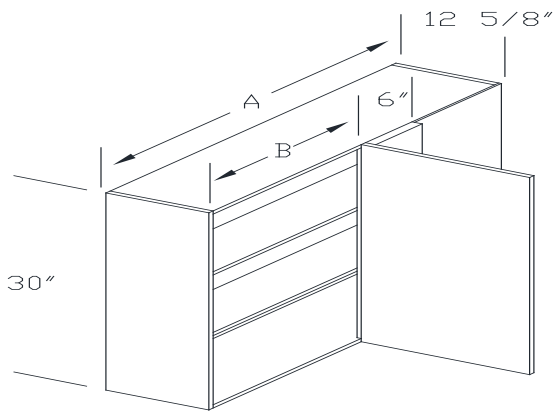
DESIGN CONSIDERATIONS

- Cabinet should be pulled slightly from corner for proper door clearance

Cabinet	A Cabinet Width	B Door Width	Minimum Pull	Maximum Pull
WC24	24"	12"	25"	30"
WC27	27"	15"	28"	33"
WC30	30"	18"	31"	36"
WC33	33"	21"	34"	39"
WC36	36"	24"	37"	42"

(L/R) specify L (hinge left) or R (hinge right) to cabinet code

Wall Corner (Blind Cabinet) continued



WC(L/R)243012	410	459	492	553	595	655	758	910
WC(L/R)273015	433	485	519	584	627	693	801	961
WC(L/R)303018	466	522	560	629	676	747	862	1035
WC(L/R)333021	492	551	591	665	713	787	911	1093
WC(L/R)363024	514	575	617	694	746	822	951	1141

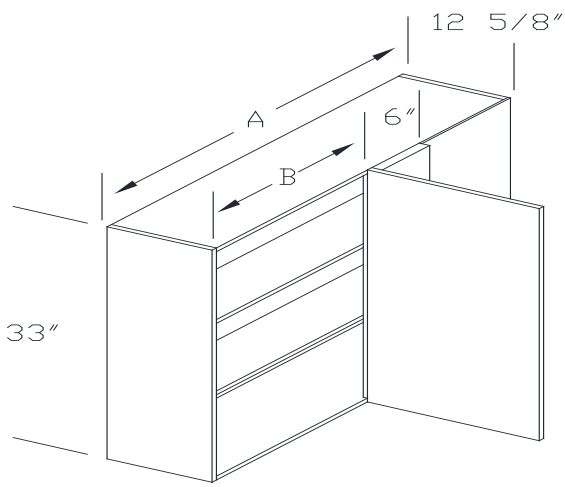
PRODUCT DETAILS

- 1 door
- 2 adjustable shelves
- 6" profiled filler on blind side
- Allow for hardware, if applicable
- Hinging on filler side
- Door overhang (DO) option available

DESIGN CONSIDERATIONS

- For proper cabinet operation, cabinet must be pulled from corner as per the min/max dimension listed below
- (L/R) specify L (door on left) or R (door on right) in cabinet code. Drawing shows WCL

Cabinet	A Cabinet Width	B Door Width	Minimum Pull	Maximum Pull
WC24	24"	12"	25"	30"
WC27	27"	15"	28"	33"
WC30	30"	18"	31"	36"
WC33	33"	21"	34"	39"
WC36	36"	24"	37"	42"



WC(L/R)243312	449	502	539	606	651	719	830	996
WC(L/R)273315	476	534	571	643	691	761	881	1057
WC(L/R)303318	512	574	615	692	743	820	947	1137
WC(L/R)333321	539	604	647	728	782	863	997	1197
WC(L/R)363324	571	640	685	771	828	914	1057	1268

PRODUCT DETAILS

- 1 door
- 2 adjustable shelves
- 6" profiled filler on blind side
- Allow for hardware, if applicable
- Hinging on filler side
- Door overhang (DO) option available

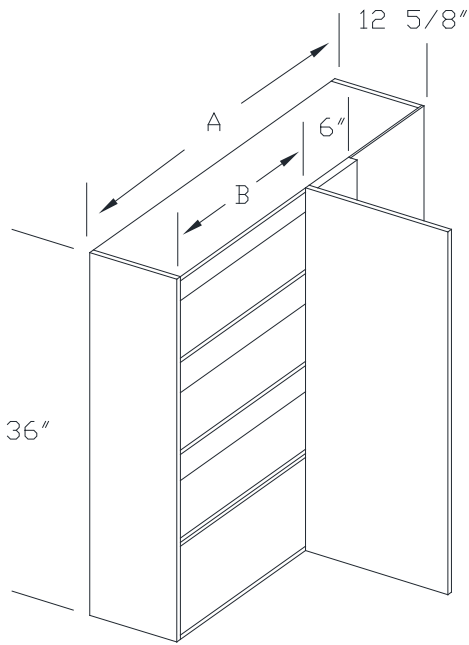
DESIGN CONSIDERATIONS

- For proper cabinet operation, cabinet must be pulled from corner as per the min/max dimension listed below
- (L/R) specify L (door on left) or R (door on right) in cabinet code. Drawing shows WCL

Cabinet	A Cabinet Width	B Door Width	Minimum Pull	Maximum Pull
WC24	24"	12"	25"	30"
WC27	27"	15"	28"	33"
WC30	30"	18"	31"	36"
WC33	33"	21"	34"	39"
WC36	36"	24"	37"	42"

WALL

Wall Corner (Blind Cabinet) continued



WC(L/R)243612	488	546	586	658	707	781	902	1083
WC(L/R)273615	519	582	623	701	753	831	961	1152
WC(L/R)303618	558	625	670	754	809	893	1033	1240
WC(L/R)333621	587	656	703	791	850	938	1085	1302
WC(L/R)363624	628	704	754	848	911	1006	1163	1396

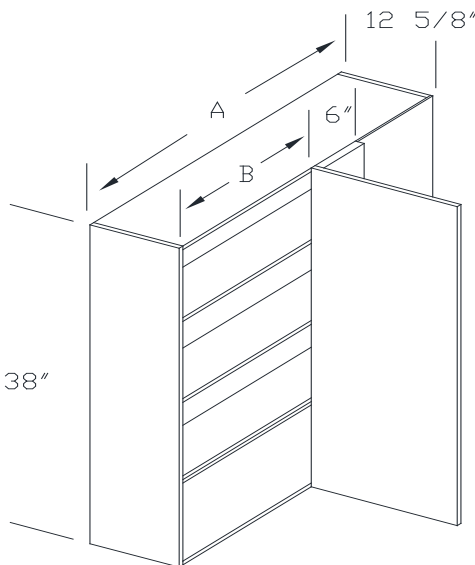
PRODUCT DETAILS

- 1 door
- 3 adjustable shelves
- 6" profiled filler on blind side
- Allow for hardware, if applicable
- Hinging on filler side
- Door overhang (DO) option available

DESIGN CONSIDERATIONS

- For proper cabinet operation, cabinet must be pulled from corner as per the min/max dimension listed below
- (L/R) specify L (door on left) or R (door on right) in cabinet code. Drawing shows WCL

Cabinet	A Cabinet Width	B Door Width	Minimum Pull	Maximum Pull
WC24	24"	12"	25"	30"
WC27	27"	15"	28"	33"
WC30	30"	18"	31"	36"
WC33	33"	21"	34"	39"
WC36	36"	24"	37"	42"



WC(L/R)243812	542	607	650	731	786	867	1003	1203
WC(L/R)273815	575	644	690	776	834	919	1064	1276
WC(L/R)303818	619	693	743	835	898	990	1145	1374
WC(L/R)333821	653	732	784	882	947	1045	1208	1451
WC(L/R)363824	697	780	836	940	1010	1115	1289	1546

PRODUCT DETAILS

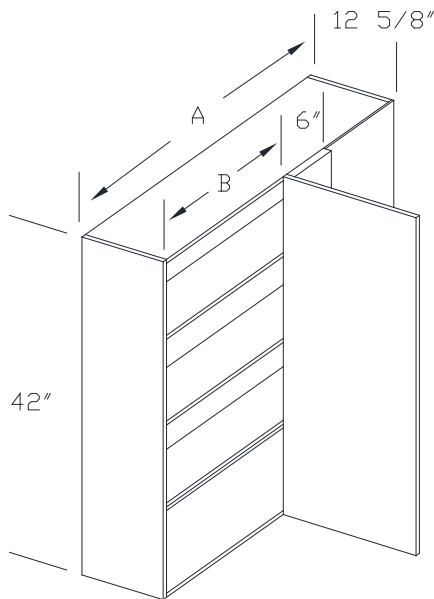
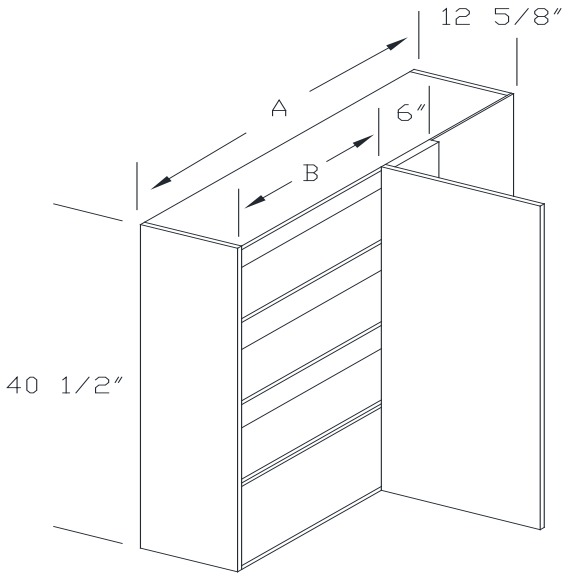
- 1 door
- 3 adjustable shelves
- 6" profiled filler on blind side
- Allow for hardware, if applicable
- Hinging on filler side
- Door overhang (DO) option available

DESIGN CONSIDERATIONS

- For proper cabinet operation, cabinet must be pulled from corner as per the min/max dimension listed below
- (L/R) specify L (door on left) or R (door on right) in cabinet code. Drawing shows WCL

Cabinet	A Cabinet Width	B Door Width	Minimum Pull	Maximum Pull
WC24	24"	12"	25"	30"
WC27	27"	15"	28"	33"
WC30	30"	18"	31"	36"
WC33	33"	21"	34"	39"
WC36	36"	24"	37"	42"

Wall Corner (Blind Cabinet) continued



	1	2	3	4	5	6	7	8
WC(L/R)2440.512	596	668	714	805	864	954	1102	1323
WC(L/R)2740.515	630	706	757	851	914	1009	1167	1401
WC(L/R)3040.518	679	760	815	917	985	1087	1256	1508
WC(L/R)3340.521	721	807	864	972	1045	1153	1332	1600
WC(L/R)3640.524	764	857	917	1032	1109	1223	1414	1697

PRODUCT DETAILS

- 1 door
- 3 adjustable shelves
- 6" profiled filler on blind side
- Allow for hardware, if applicable
- Hinging on filler side
- Door overhang (DO) option available

DESIGN CONSIDERATIONS

- For proper cabinet operation, cabinet must be pulled from corner as per the min/max dimension listed below
- (L/R) specify L (door on left) or R (door on right) in cabinet code. Drawing shows WCL

Cabinet	A Cabinet Width	B Door Width	Minimum Pull	Maximum Pull
WC24	24"	12"	25"	30"
WC27	27"	15"	28"	33"
WC30	30"	18"	31"	36"
WC33	33"	21"	34"	39"
WC36	36"	24"	37"	42"

WC(L/R)244212	650	728	780	878	941	1040	1202	1444
WC(L/R)274215	684	766	822	924	992	1095	1266	1519
WC(L/R)304218	733	822	880	990	1063	1173	1356	1628
WC(L/R)334221	775	867	930	1046	1123	1240	1433	1720
WC(L/R)364224	818	916	982	1104	1187	1309	1514	1817

PRODUCT DETAILS

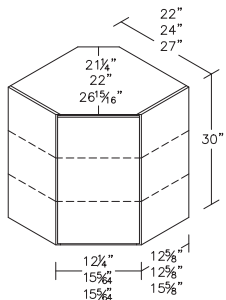
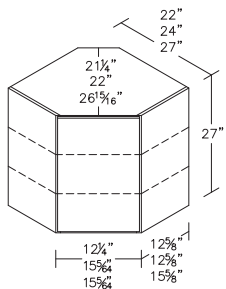
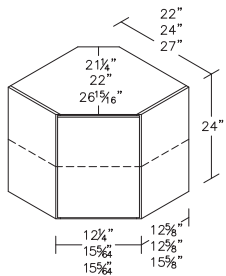
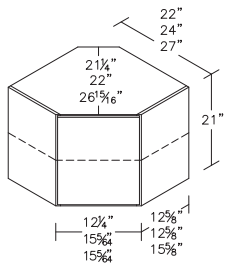
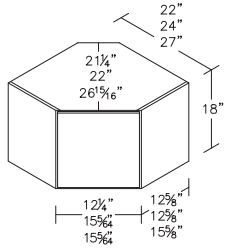
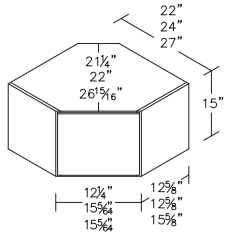
- 1 door
- 3 adjustable shelves
- 6" profiled filler on blind side
- Allow for hardware, if applicable
- Hinging on filler side
- Door overhang (DO) option available

DESIGN CONSIDERATIONS

- For proper cabinet operation, cabinet must be pulled from corner as per the min/max dimension listed below
- (L/R) specify L (door on left) or R (door on right) in cabinet code. Drawing shows WCL

Cabinet	A Cabinet Width	B Door Width	Minimum Pull	Maximum Pull
WC24	24"	12"	25"	30"
WC27	27"	15"	28"	33"
WC30	30"	18"	31"	36"
WC33	33"	21"	34"	39"
WC36	36"	24"	37"	42"

Angle Wall



	1	2	3	4	5	6	7	8
WA2215(L/R)	348	390	417	470	505	557	645	774
WA2415(L/R)	358	401	430	484	519	573	661	795
WA2715(L/R)	431	483	517	580	624	688	796	956
WA2218(L/R)	435	487	522	587	630	696	804	965
WA2418(L/R)	450	504	540	607	652	720	832	998
WA2718(L/R)	487	545	584	657	706	779	901	1081
WA2221(L/R)	450	504	540	607	652	720	832	998
WA2421(L/R)	465	521	558	628	674	745	860	1003
WA2721(L/R)	519	581	623	701	753	831	961	1152
WA2224(L/R)	479	537	575	647	695	766	886	1064
WA2424(L/R)	501	561	601	676	726	801	927	1112
WA2724(L/R)	522	586	627	705	757	836	966	1160
WA2227(L/R)	417	468	501	564	605	668	773	927
WA2427(L/R)	433	485	519	584	627	693	801	961
WA2727(L/R)	465	521	558	628	674	745	860	1033
WA2230(L/R)	463	518	556	625	672	740	857	1028
WA2430(L/R)	478	536	573	646	694	764	885	1062
WA2730(L/R)	511	572	613	690	740	816	944	1134

PRODUCT DETAILS

- 1 door
- 27" wide unit is 15 5/8" deep
- Door overhang (DO) option available

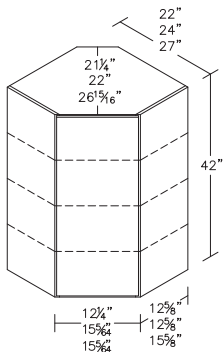
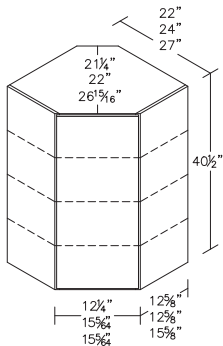
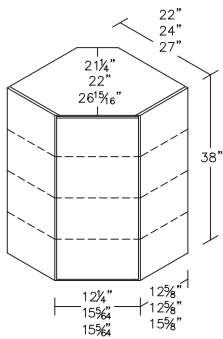
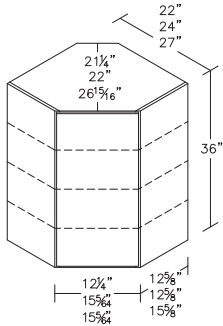
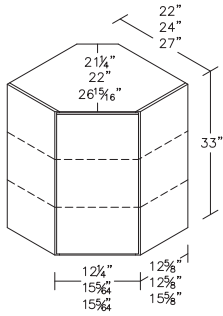
DESIGN CONSIDERATIONS

- With mitered and square edge door styles, a 5/8" filler is suggested on either side

Height	Adjustable Shelves
15" - 18"	0
21" - 24"	1
27" - 30"	2

(L/R) specify L (hinge left) or R (hinge right) to cabinet code

Angle Wall continued



	1	2	3	4	5	6	7	8
WA2233(L/R)	509	569	610	686	737	813	940	1128
WA2433(L/R)	529	593	634	714	766	847	979	1174
WA2733(L/R)	560	627	672	756	811	895	1036	1243
WA2236(L/R)	553	620	665	748	803	886	1024	1229
WA2436(L/R)	579	649	696	783	840	928	1073	1288
WA2736(L/R)	609	682	731	822	883	974	1127	1352
WA2238(L/R)	584	654	701	788	847	935	1081	1297
WA2438(L/R)	612	684	733	825	886	978	1130	1356
WA2738(L/R)	639	714	765	861	926	1021	1180	1416
WA2240.5(L/R)	627	703	753	847	910	1004	1161	1393
WA2440.5(L/R)	654	733	785	883	948	1047	1211	1453
WA2740.5(L/R)	681	763	817	920	988	1090	1260	1513
WA2242(L/R)	670	750	804	904	971	1071	1239	1487
WA2442(L/R)	697	780	836	941	1011	1115	1290	1546
WA2742(L/R)	724	811	868	978	1049	1159	1340	1607

PRODUCT DETAILS

- 27" wide unit is 15 5/8" deep
- Door overhang (DO) option available

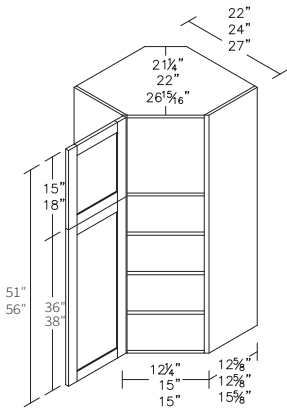
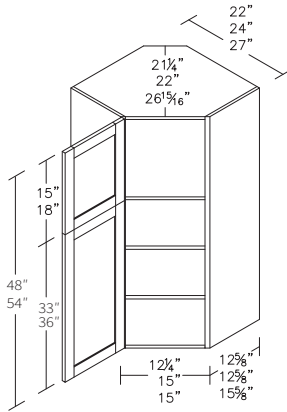
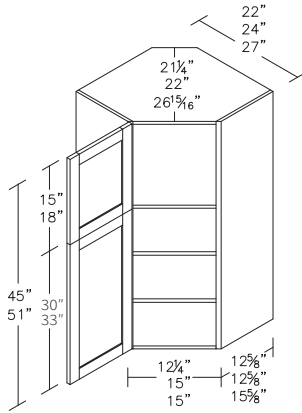
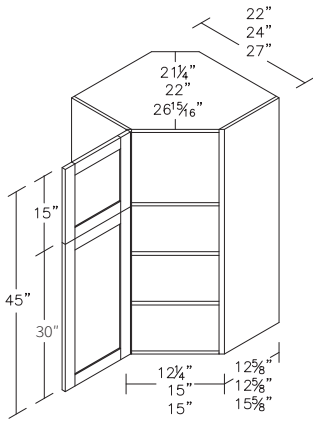
DESIGN CONSIDERATIONS

- With mitered and square edge door styles, a 5/8" filler is suggested on either side

Height	Adjustable Shelves
33"	2
36" - 42"	3

(L/R) specify L (hinge left) or R (hinge right) to cabinet code

Angle Wall Stacked



WSCA221545(L/R)	771	863	925	1040	1117	1232	1425	1710
WSCA241545(L/R)	802	897	961	1082	1163	1282	1484	1778
WSCA271545(L/R)	833	933	998	1125	1206	1333	1541	1848
WSCA221548(L/R)	848	949	1017	1144	1228	1355	1567	1881
WSCA241548(L/R)	882	987	1058	1190	1279	1410	1632	1956
WSCA271548(L/R)	916	1026	1098	1237	1327	1466	1695	2033
WSCA221848(L/R)	848	949	1017	1144	1228	1355	1567	1881
WSCA241848(L/R)	882	987	1058	1190	1279	1410	1632	1956
WSCA271848(L/R)	916	1026	1098	1237	1327	1466	1695	2033
WSCA221551(L/R)	932	1044	1119	1258	1351	1490	1724	2069
WSCA241551(L/R)	970	1085	1163	1309	1407	1552	1795	2151
WSCA271551(L/R)	1007	1129	1208	1361	1460	1613	1865	2236
WSCA221851(L/R)	932	1044	1119	1258	1351	1490	1724	2069
WSCA241851(L/R)	970	1085	1163	1309	1407	1552	1795	2151
WSCA271851(L/R)	1007	1129	1208	1361	1460	1613	1865	2236
WSCA221553(L/R)	1026	1148	1231	1384	1486	1639	1896	2276
WSCA241553(L/R)	1067	1194	1280	1440	1547	1707	1975	2366
WSCA271553(L/R)	1108	1241	1329	1497	1606	1774	2051	2460
WSCA221854(L/R)	1026	1148	1231	1384	1486	1639	1896	2276
WSCA241854(L/R)	1067	1194	1280	1440	1547	1707	1975	2366
WSCA271854(L/R)	1108	1241	1329	1497	1606	1774	2051	2460

PRODUCT DETAILS

- 2 doors operate independently
- Door overhang (DO) option available

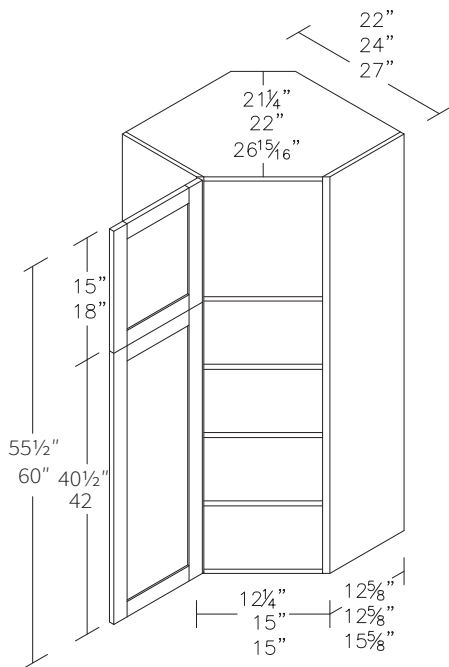
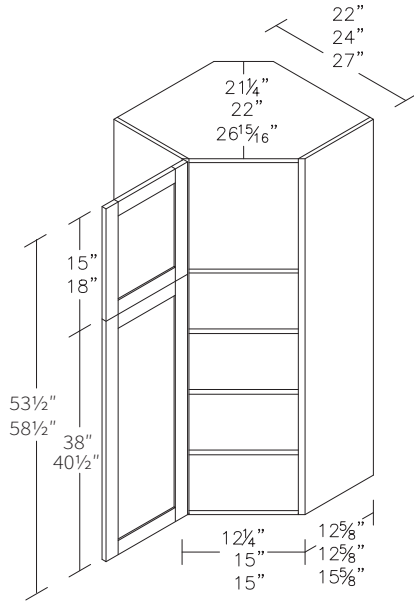
DESIGN CONSIDERATIONS

- With mitered and square edge door styles, a 5/8" filler is suggested on either side

Height	Adjustable Shelves
45" - 48"	2
51" (18" top door)	2
51" (15" top door)	3
53" - 54"	3

(L/R) specify L (hinge left) or R (hinge right) to cabinet code

Angle Wall Stacked continued



WSCA221555.5(L/R)	1077	1205	1292	1453	1561	1721	1991	2390
WSCA241555.5(L/R)	1120	1254	1344	1512	1625	1792	2073	2485
WSCA271555.5(L/R)	1164	1303	1395	1572	1686	1863	2154	2583
WSCA221856(L/R)	1077	1205	1292	1453	1561	1721	1991	2390
WSCA241856(L/R)	1120	1254	1344	1512	1625	1792	2073	2485
WSCA271856(L/R)	1164	1303	1395	1572	1686	1863	2154	2583
WSCA221557(L/R)	1184	1326	1421	1598	1717	1893	2190	2629
WSCA241557(L/R)	1232	1379	1478	1664	1787	1971	2281	2733
WSCA271557(L/R)	1280	1434	1535	1729	1855	2049	2369	2841
WSCA221858.5(L/R)	1184	1326	1421	1598	1717	1893	2190	2629
WSCA241858.5(L/R)	1232	1379	1478	1664	1787	1971	2281	2733
WSCA271858.5(L/R)	1280	1434	1535	1729	1855	2049	2369	2841

PRODUCT DETAILS

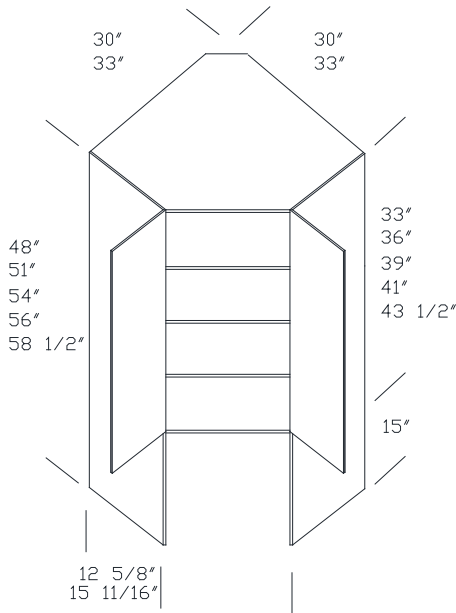
- 2 doors operate independently
- Door overhang (DO) option available

DESIGN CONSIDERATIONS

- With mitered and square edge door styles, a 5/8" filler is suggested on either side

Height	Adjustable Shelves
55 1/2" - 58 1/2"	3

Angle Wall Microwave Unit



WAMW3048	973	1090	1168	1315	1411	1558	1801	2161
WAMW3348	1011	1133	1214	1366	1466	1618	1871	2245
WAMW3051	1028	1151	1233	1387	1490	1644	1901	2281
WAMW3351	1065	1193	1278	1438	1544	1705	1971	2365
WAMW3054	1082	1212	1298	1460	1568	1731	2001	2401
WAMW3354	1119	1254	1344	1511	1623	1791	2071	2486
WAMW3056	1136	1272	1362	1533	1646	1817	2101	2521
WAMW3356	1173	1315	1408	1584	1701	1877	2172	2605
WAMW3058.5	1190	1332	1428	1606	1725	1903	2201	2642
WAMW3358.5	1227	1375	1473	1658	1780	1965	2271	2725
WAMWV3048	1379	1544	1655	1862	2000	2207	2551	3062
WAMWV3348	1416	1587	1700	1913	2054	2267	2621	3146
WAMWV3051	1433	1605	1720	1934	2078	2293	2651	3181
WAMWV3351	1471	1647	1765	1985	2133	2354	2722	3266
WAMWV3054	1487	1666	1785	2008	2157	2380	2752	3302
WAMWV3354	1525	1708	1830	2059	2211	2440	2822	3385
WAMWV3056	1541	1726	1849	2081	2235	2466	2852	3422
WAMWV3356	1579	1769	1895	2132	2290	2526	2921	3506
WAMWV3058.5	1595	1787	1915	2154	2313	2552	2952	3541
WAMWV3358.5	1633	1829	1959	2205	2368	2614	3021	3625

PRODUCT DETAILS

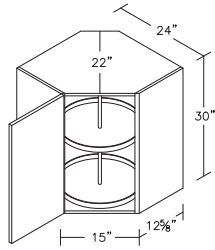
- 2 doors
- 3 adjustable shelves
- Fixed shelf is 15" from the bottom
- V=Veneer interior/exterior (not available in Thermofoil styles)

DESIGN CONSIDERATIONS

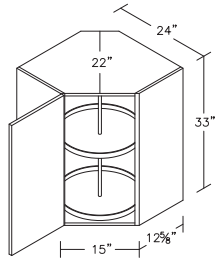
- There is no bottom on this cabinet
- Sides can be notched to fit around countertop backsplash

wall cabinets

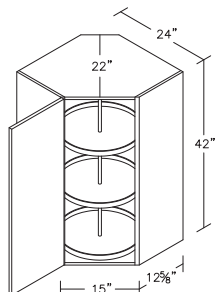
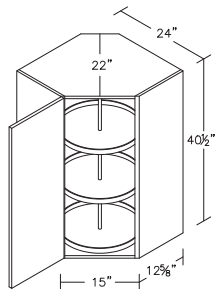
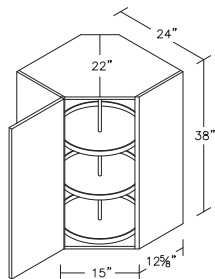
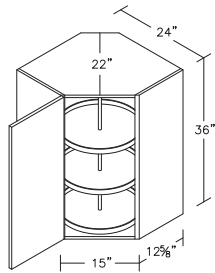
Angle Lazy Susan



1 door; no adjustable shelves



1 door; no adjustable shelves



WA2430(L/R)LS18-2	769	827	864	937	985	1055	1176	1353
WA2433(L/R)LS18-2	820	884	925	1005	1057	1138	1270	1465
WA2436(L/R)LS18-3	945	1015	1062	1149	1206	1294	1439	1654
WA2438(L/R)LS18-3	978	1050	1099	1191	1252	1344	1496	1722
WA2440.5(L/R)LS18-3	1020	1099	1151	1249	1314	1413	1577	1830
WA2442(L/R)LS18-3	1063	1146	1202	1307	1377	1481	1656	1912
WA2430(L/R)WLS18-2	1397	1455	1492	1565	1613	1683	1804	1981
WA2433(L/R)WLS18-2	1479	1512	1553	1633	1685	1814	1898	2093
WA2436(L/R)WLS18-3	1704	1807	1821	1908	1965	2053	2198	2413
WA2438(L/R)WLS18-3	1737	1809	1858	1986	2011	2103	2255	2481
WA2440.5(L/R)WLS18-3	1779	1858	1910	2008	2073	2172	2336	2578

PRODUCT DETAILS

- LS=plastic trays
- WLS=wood trays
- 30"-33"=two 18" rotating trays
- 36"-42"=three 18" rotating trays

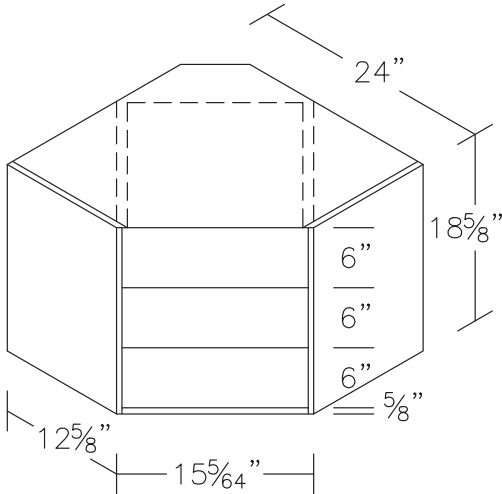
DESIGN CONSIDERATIONS

- With mitered and square edge door styles, a 5/8" filler is suggested on either side
- No modifications

(L/R) specify L (hinge left) or R (hinge right) to cabinet code

Angle Wall with 3 Drawers

WAD2418	720	720	720	720	720	720	720	792
---------	-----	-----	-----	-----	-----	-----	-----	-----



PRODUCT DETAILS

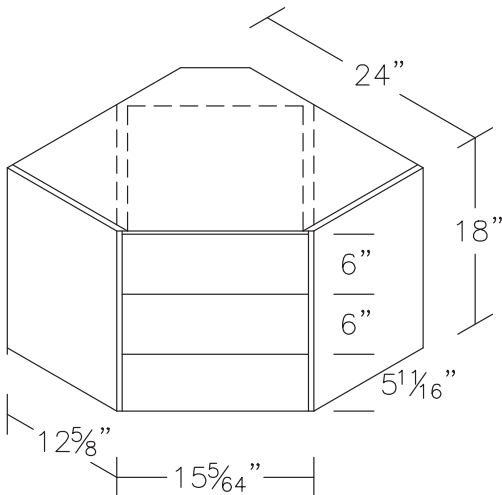
- Three 6" high drawers, one 5/8" filler
- Wood styles come with Veneer ends

DESIGN CONSIDERATIONS

- Only available in wood door styles; not available in Melamine, Veneer, Thermofoil, Acrylic, or HDF door styles
- Sides can be notched to fit around countertop backsplash

Angle Wall with 3 Drawers - Slab Front

WADX2418	720	720	720	720	720	720	720	792
----------	-----	-----	-----	-----	-----	-----	-----	-----



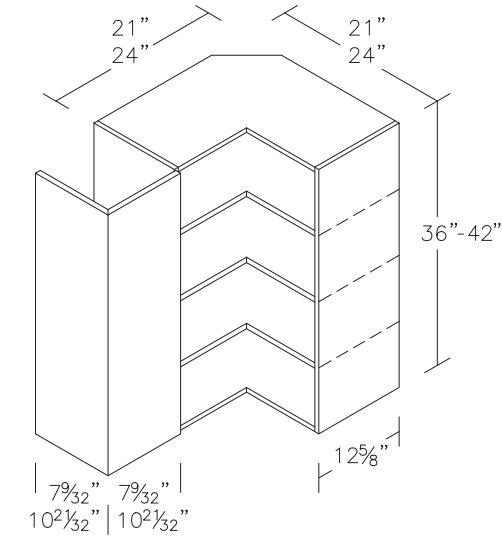
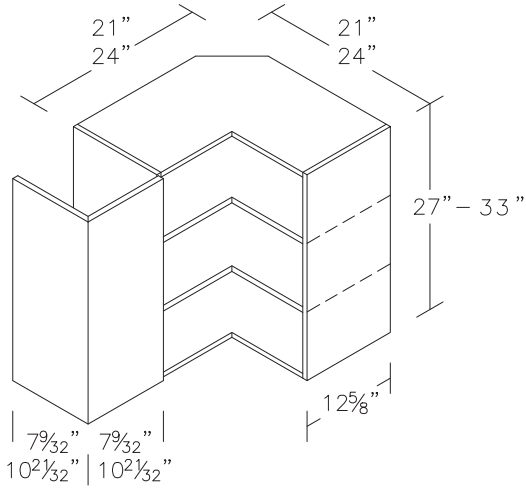
PRODUCT DETAILS

- Two 6" high drawers and one 5 11/16" high drawer
- Wood styles come with Veneer ends

DESIGN CONSIDERATIONS

- These units are only available with slab front
- Sides can be notched to fit around countertop backsplash

Wall Square Corner



	1	2	3	4	5	6	7	8
WCC212127(L/R)	516	578	619	697	748	826	955	1145
WCC242427(L/R)	535	598	642	722	775	855	988	1187
WCC212130(L/R)	577	647	693	780	837	925	1068	1282
WCC242430(L/R)	596	668	716	805	864	954	1102	1323
WCC212133(L/R)	639	716	766	862	926	1022	1181	1418
WCC242433(L/R)	656	734	787	886	952	1049	1214	1456
WCC212136(L/R)	700	784	839	944	1015	1120	1295	1554
WCC242436(L/R)	716	802	859	966	1038	1146	1325	1589
WCC212138(L/R)	754	844	905	1018	1093	1206	1395	1673
WCC242438(L/R)	774	866	928	1044	1121	1238	1431	1717
WCC212140.5(L/R)	808	905	969	1091	1171	1293	1494	1794
WCC242440.5(L/R)	831	930	997	1121	1205	1329	1537	1844
WCC212142(L/R)	862	965	1035	1164	1250	1379	1595	1914
WCC242442(L/R)	885	991	1062	1195	1283	1416	1637	1965

PRODUCT DETAILS

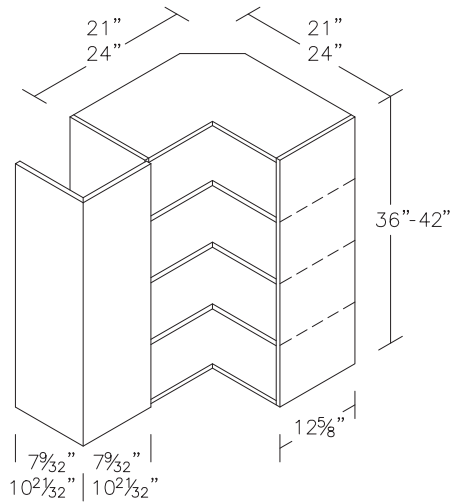
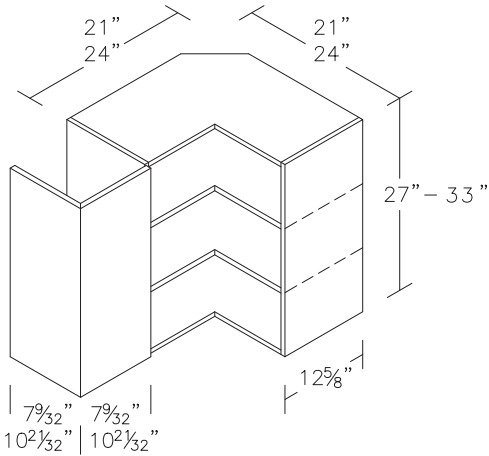
- 2 doors
- 165° hinges on doors attached to the box
- Doors joined with concealed hinges
- Door overhang (DO) option available
- First 2 digits of the code are for the left side; second 2 digits of the code are for the right side

Height	Adjustable Shelves
27" - 33"	2
36"	3

(L/R) specify L (hinge left) or R (hinge right) to cabinet code

WALL

Wall Asymmetrical Square Corner



WCC212427(L/R)	549	616	659	742	797	879	1016	1220
WCC242127(L/R)	549	616	659	742	797	879	1016	1220
WCC212430(L/R)	612	684	733	825	886	978	1130	1356
WCC242130(L/R)	612	684	733	825	886	978	1130	1356
WCC212433(L/R)	672	752	806	907	973	1074	1243	1491
WCC242133(L/R)	672	752	806	907	973	1074	1243	1491
WCC212436(L/R)	732	821	879	989	1062	1172	1355	1626
WCC242136(L/R)	732	821	879	989	1062	1172	1355	1626
WCC212438(L/R)	786	881	943	1062	1140	1258	1455	1745
WCC242138(L/R)	786	881	943	1062	1140	1258	1455	1745
WCC212440.5(L/R)	808	905	969	1091	1171	1293	1494	1794
WCC242140.5(L/R)	808	905	969	1091	1171	1293	1494	1794
WCC212442(L/R)	893	1000	1072	1206	1296	1429	1653	1983
WCC242142(L/R)	893	1000	1072	1206	1296	1429	1653	1983

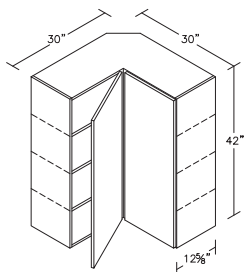
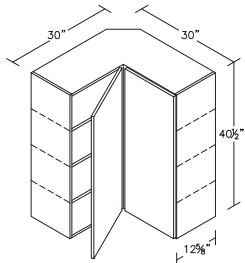
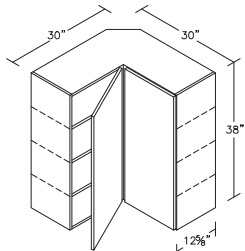
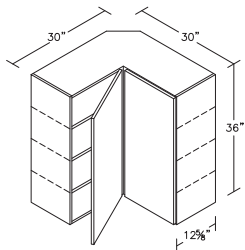
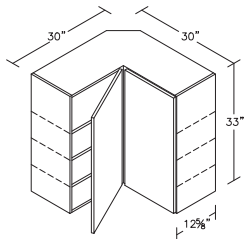
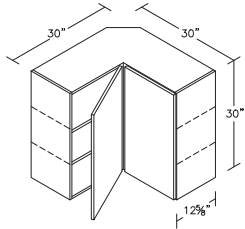
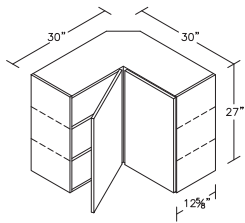
PRODUCT DETAILS

- 2 doors
- 165° hinges on doors attached to the box
- Doors joined with concealed hinges
- Door overhang (DO) option available
- First 2 digits of the code are for the left side; second 2 digits of the code are for the right side

Height	Adjustable Shelves
38" - 42"	3
27" - 33";	2

(L/R) specify L (hinge left) or R (hinge right) to cabinet code

Wall Square Corner, Center Hinge



WCC303027	703	787	843	950	1019	1125	1301	1561
WCC303030	764	857	917	1033	1109	1223	1414	1697
WCC303033	826	925	991	1115	1197	1321	1528	1834
WCC303036	892	999	1070	1204	1293	1427	1650	1925
WCC303038	917	1028	1100	1239	1330	1467	1697	2036
WCC303040.5	947	1061	1137	1279	1374	1516	1752	2104
WCC303042	978	1095	1173	1320	1418	1564	1809	2170

PRODUCT DETAILS

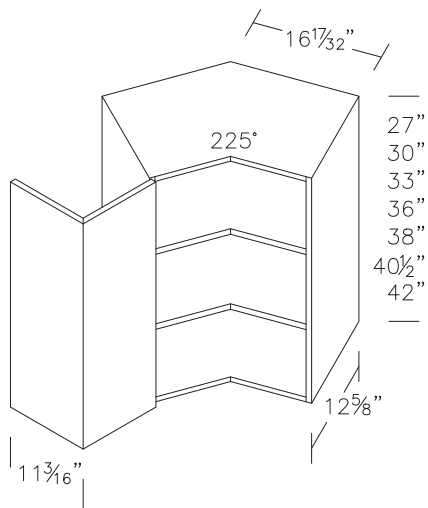
- 2 doors
- Doors are 16 1/16" wide
- Door overhang (DO) option available

Height	Adjustable Shelves
27" - 33"	2
36" - 42"	3

wall cabinets

	1	2	3	4	5	6	7	8
--	---	---	---	---	---	---	---	---

Angle Wall Inside Junction

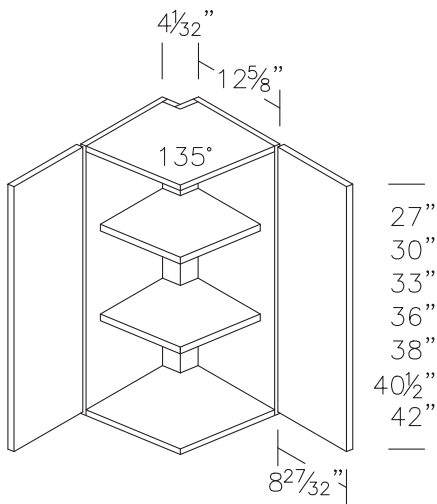


WIJ1627(L/R)	678	759	813	915	984	1085	1254	1506
WIJ1630(L/R)	764	857	917	1033	1109	1223	1414	1697
WIJ1633(L/R)	906	1015	1087	1223	1314	1450	1675	2011
WIJ1636(L/R)	1047	1172	1256	1413	1518	1675	1938	2324
WIJ1638(L/R)	1074	1203	1290	1451	1558	1719	1987	2386
WIJ1640.5(L/R)	1102	1234	1323	1488	1598	1763	2038	2446
WIJ1642(L/R)	1129	1265	1355	1525	1638	1808	2089	2507

PRODUCT DETAILS

- 2 doors
- 27"-33" have 2 adjustable shelves, taller units have 3 adjustable shelves
- 165° hinges on doors attached to the box
- Doors joined with concealed hinges
- Door overhang (DO) option available
- No modifications

Angle Wall Outside Junction

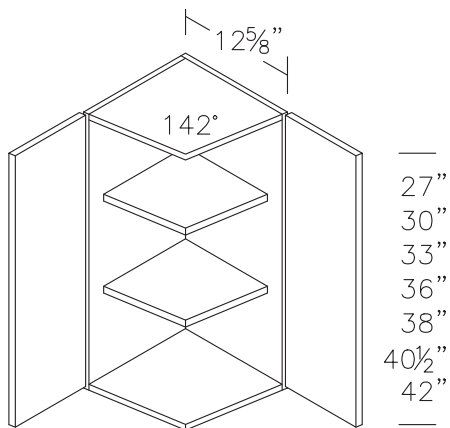


WOJ427	869	973	1043	1174	1260	1392	1609	1930
WOJ430	956	1071	1147	1291	1386	1530	1769	2123
WOJ433	1061	1189	1273	1432	1538	1697	1962	2356
WOJ436	1166	1306	1399	1575	1691	1866	2157	2589
WOJ438	1270	1423	1525	1715	1842	2032	2350	2820
WOJ440.5	1375	1539	1649	1855	1994	2200	2543	3051
WOJ442	1479	1657	1774	1997	2144	2366	2736	3283

PRODUCT DETAILS

- 2 doors
- 27"-33" have 2 adjustable shelves, taller units have 3 adjustable shelves
- Door overhang (DO) option available
- No modifications

Wall End



WE(L/R)1327	372	417	446	502	540	595	688	826
WE(L/R)1330	459	514	550	619	665	734	849	1018
WE(L/R)1333	514	575	617	694	745	822	951	1141
WE(L/R)1336	569	638	682	768	826	911	1052	1263
WE(L/R)1338	577	647	693	780	837	925	1068	1282
WE(L/R)1340.5	587	656	703	791	850	938	1085	1302
WE(L/R)1342	596	668	716	805	864	954	1102	1323

PRODUCT DETAILS

- 27"-33" have 2 adjustable shelves, taller units have 3 adjustable shelves
- Door overhang (DO) option available
- Finished end units are custom, use Custom Pricing Request
- No modifications

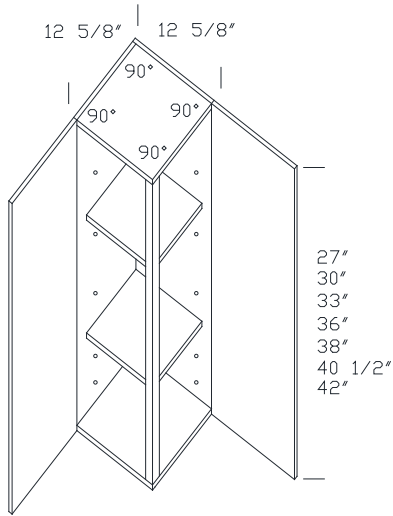
(L/R) specify L (hinge left) or R (hinge right) to cabinet code

WALL

wall cabinets

1 2 3 4 5 6 7 8

Wall End Double Entry

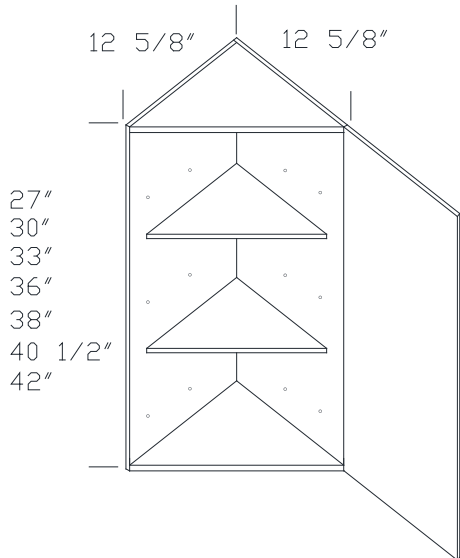


WEDE1327	448	501	538	604	649	717	829	994
WEDE1330	535	598	642	722	775	855	988	1187
WEDE1333	584	654	701	788	847	935	1081	1297
WEDE1336	645	722	774	870	935	1032	1193	1431
WEDE1338	653	732	784	882	947	1045	1208	1451
WEDE1340.5	661	742	795	893	960	1059	1224	1470
WEDE1342	670	750	804	904	971	1071	1239	1487

PRODUCT DETAILS

- 2 doors
- 27"-33" have 2 adjustable shelves, taller units have 3 adjustable shelves
- Door overhang (DO) option available
- Finished end units are custom, use Custom Pricing Request

Diagonal Wall End/Wall Triangle



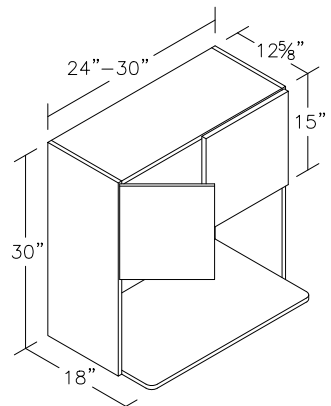
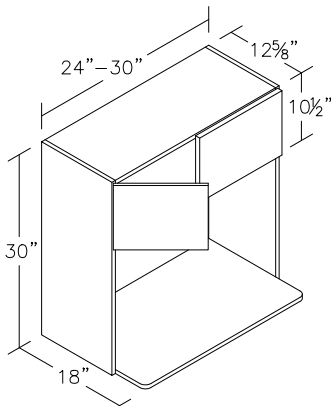
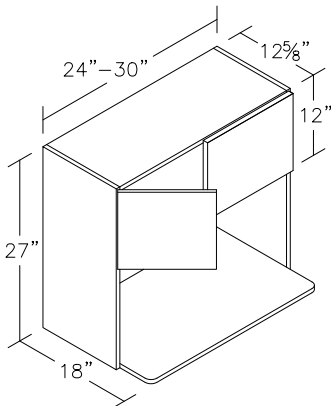
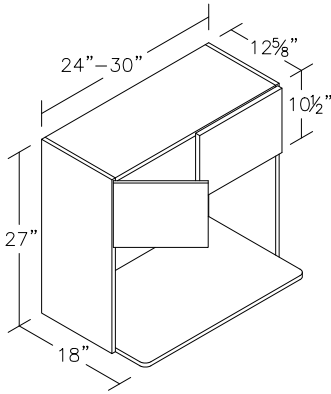
WT1327(L/R)	360	404	433	487	522	576	667	800
WT1330(L/R)	447	500	536	603	648	714	827	992
WT1333(L/R)	482	540	578	650	699	771	891	1070
WT1336(L/R)	517	578	621	698	750	828	956	1147
WT1338(L/R)	524	588	629	708	760	839	970	1165
WT1340.5(L/R)	532	596	639	719	772	851	984	1181
WT1342(L/R)	540	604	648	729	783	864	998	1198

PRODUCT DETAILS

- 27"-33" have 2 adjustable shelves, taller units have 3 adjustable shelves
- Door overhang (DO) option available
- Finished end units are custom, use Custom Pricing Request

(L/R) specify L (hinge left) or R (hinge right) to cabinet code

Microwave/TV Cabinet

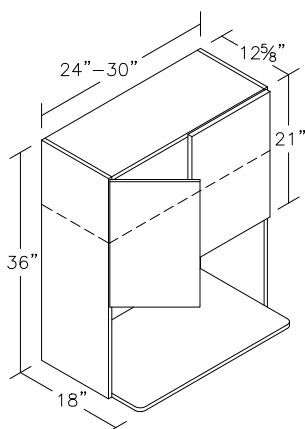
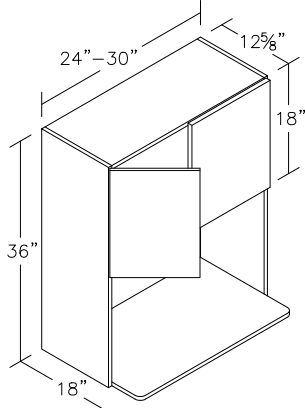
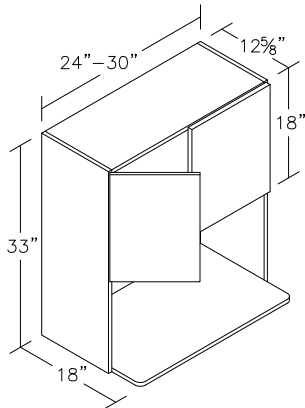
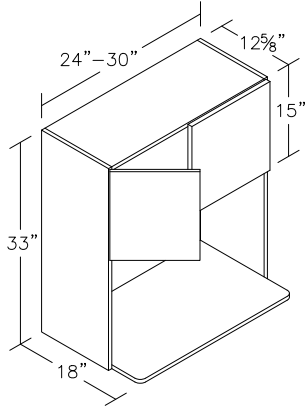


	1	2	3	4	5	6	7	8
WM242710.5-2	450	504	540	607	652	720	832	998
WM272710.5	468	524	562	632	679	750	866	1040
WM302710.5	495	554	595	669	719	792	916	1099
WM242712-2	558	625	670	753	809	893	1033	1239
WM272712	577	647	693	780	837	925	1068	1282
WM302712	596	668	716	805	864	954	1102	1323
WM243010.5-2	501	562	601	676	726	802	927	1113
WM273010.5	519	582	623	701	753	831	961	1152
WM303010.5	546	613	655	737	791	874	1010	1213
WM243015-2	609	682	731	822	883	974	1127	1352
WM273015	628	704	754	848	911	1006	1163	1396
WM303015	647	725	777	873	938	1035	1196	1435
WMV242710.5-2	625	700	750	844	907	1000	1156	1387
WMV272710.5	651	729	781	879	944	1042	1204	1446
WMV302710.5	682	764	818	921	990	1092	1263	1515
WMV242712-2	769	861	922	1038	1115	1230	1423	1708
WMV272712	792	888	952	1070	1149	1269	1466	1760
WMV302712	820	918	984	1107	1189	1311	1516	1820
WMV243010.5-2	676	757	811	913	980	1082	1250	1501
WMV273010.5	702	786	842	947	1018	1123	1299	1559
WMV303010.5	733	821	881	990	1063	1173	1356	1628
WMV243015-2	820	918	984	1107	1189	1312	1516	1820
WMV273015	843	945	1012	1139	1223	1350	1561	1873
WMV303015	870	976	1045	1175	1263	1394	1611	1932

PRODUCT DETAILS

- 2 doors
- No shelf
- Depth can be increased up to 18", microwave shelf depth does not change
- Microwave shelf is shipped loose
- V=matching Veneer interior/exterior

Microwave/TV Cabinet continued



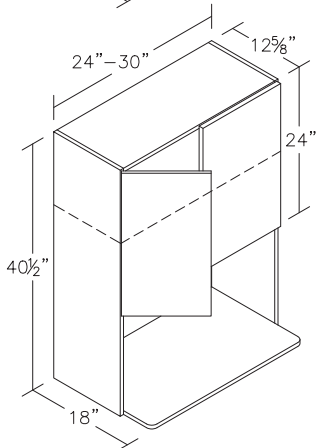
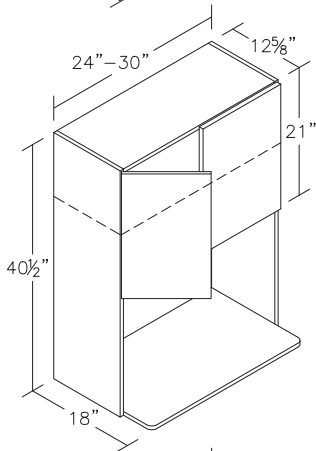
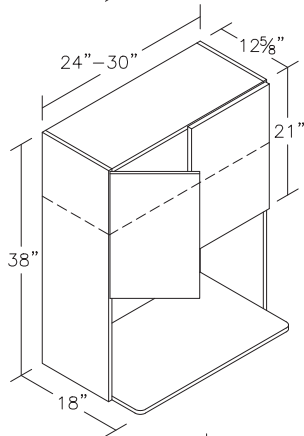
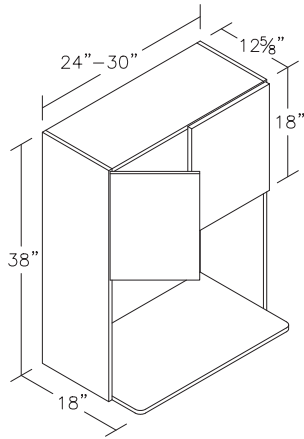
WM243315-2	551	617	661	744	799	882	1019	1223
WM273315	570	638	683	769	826	911	1054	1265
WM303315	597	668	716	805	865	955	1103	1324
WM243318-2	659	738	791	890	956	1055	1220	1463
WM273318	679	760	814	916	984	1086	1255	1507
WM303318	697	781	836	941	1011	1115	1290	1548
WM243618-2	601	674	722	812	872	963	1113	1335
WM273618	620	705	755	850	913	1007	1165	1398
WM303618	647	725	776	874	938	1035	1197	1436
WM243621-2	709	807	864	972	1045	1153	1332	1600
WM273621	729	846	907	1019	1094	1208	1397	1675
WM303621	748	886	948	1067	1146	1266	1462	1754

WMV243315-2	726	813	872	981	1054	1162	1344	1612
WMV273315	752	842	903	1015	1091	1203	1392	1670
WMV303315	783	878	940	1058	1137	1254	1450	1740
WMV243318-2	870	974	1044	1175	1262	1393	1610	1931
WMV273318	894	1002	1072	1206	1296	1430	1654	1984
WMV303318	921	1032	1106	1244	1335	1474	1704	2045
WMV243618-2	777	908	972	1093	1174	1296	1499	1799
WMV273618	803	950	1018	1144	1229	1356	1568	1882
WMV303618	834	934	1000	1125	1210	1334	1542	1851
WMV243621-2	920	1088	1166	1310	1408	1554	1796	2156
WMV273621	944	1141	1222	1376	1478	1630	1886	2262
WMV303621	971	1197	1282	1442	1550	1710	1977	2372

PRODUCT DETAILS

- 2 doors
- Units with 21" doors will have 1 adjustable shelf
- Depth can be increased up to 18", microwave shelf depth does not change
- Microwave shelf is shipped loose
- V=matching Veneer interior/exterior; not available in Thermofoil styles

Microwave/TV Cabinet continued

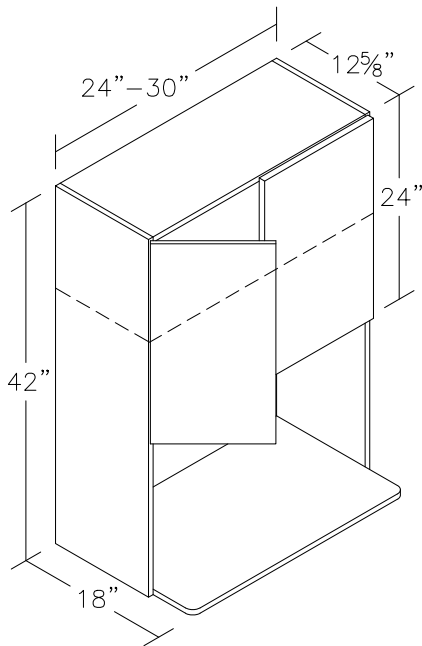
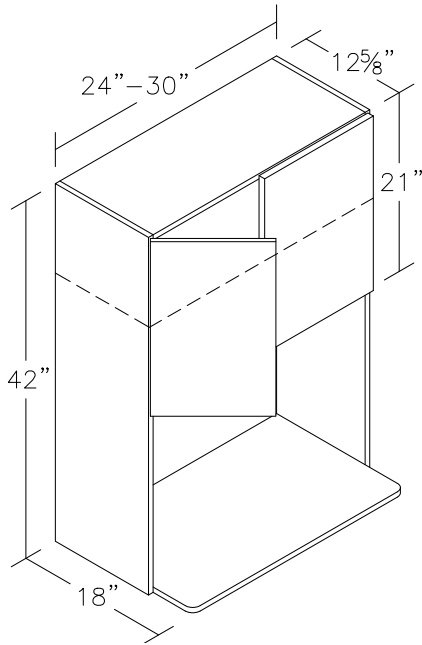


WM243818-2	688	772	827	930	999	1102	1275	1530
WM273818	705	789	847	952	1022	1128	1304	1565
WM303818	749	838	899	1011	1086	1197	1384	1662
WM243821-2	770	862	925	1040	1117	1232	1425	1710
WM273821	787	881	944	1062	1141	1259	1456	1747
WM303821	826	925	991	1115	1197	1321	1528	1834
WM2440.521-2	777	869	932	1048	1126	1243	1436	1724
WM2740.521	790	885	948	1067	1146	1265	1462	1756
WM3040.521	850	953	1020	1148	1232	1360	1572	1888
WM2440.524-2	831	931	996	1121	1204	1329	1537	1844
WM2740.524	844	946	1014	1141	1225	1352	1563	1875
WM3040.524	904	1013	1085	1221	1311	1447	1672	2007
WMV243818-2	922	1033	1107	1245	1337	1476	1706	2047
WMV273818	945	1059	1135	1276	1371	1512	1749	2099
WMV303818	1003	1122	1202	1353	1453	1604	1854	2225
WMV243821-2	1021	1144	1225	1378	1481	1634	1889	2267
WMV273821	1043	1168	1252	1408	1512	1669	1930	2316
WMV303821	1098	1229	1318	1482	1592	1757	2031	2437
WMV2440.521-2	1067	1196	1281	1441	1548	1708	1975	2370
WMV2740.521	1088	1219	1305	1468	1578	1741	2013	2416
WMV3040.521	1170	1310	1404	1580	1697	1872	2165	2598
WMV2440.524-2	1121	1256	1346	1514	1627	1795	2075	2490
WMV2740.524	1142	1279	1371	1542	1656	1827	2113	2536
WMV3040.524	1224	1372	1470	1653	1775	1959	2265	2719

PRODUCT DETAILS

- 2 doors
- Units with 21" or 24" doors will have 1 adjustable shelf
- Depth can be increased up to 18", microwave shelf depth does not change
- Microwave shelf is shipped loose
- V=matching Veneer interior/exterior; not available in Thermofoil, Melamine, PureStyle™, and Acrylic styles

Microwave/TV Cabinet continued

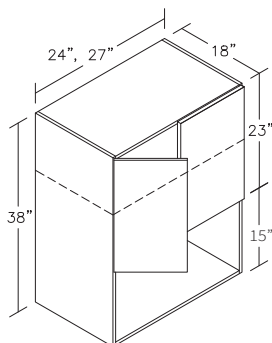
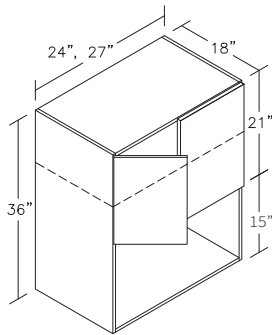
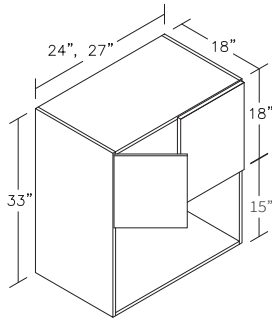
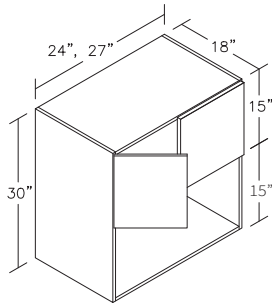
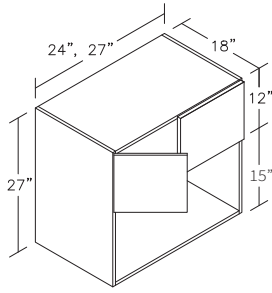


WM244221-2	865	969	1038	1168	1254	1384	1601	1921
WM274221	876	981	1050	1182	1270	1401	1620	1944
WM304221	951	1065	1141	1283	1378	1520	1759	2110
WM244224-2	892	999	1071	1204	1294	1428	1650	1981
WM274224	902	1010	1082	1217	1308	1442	1668	2002
WM304224	982	1099	1178	1325	1424	1570	1816	2180
WMV244221-2	1212	1357	1454	1636	1758	1939	2241	2689
WMV274221	1230	1378	1477	1661	1784	1969	2277	2731
WMV304221	1337	1498	1605	1805	1940	2140	2474	2969
WMV244224-2	1221	1368	1465	1648	1770	1953	2259	2710
WMV274224	1241	1389	1489	1675	1799	1985	2295	2754
WMV304224	1350	1512	1620	1822	1957	2160	2499	2997

PRODUCT DETAILS

- 2 doors, 1 adjustable shelf
- Units with 21" or 24" door will have 1 adjustable shelf
- Microwave shelf is shipped loose
- V=matching Veneer interior/exterior; not available in Thermofoil styles

Wall Microwave Open Shelf



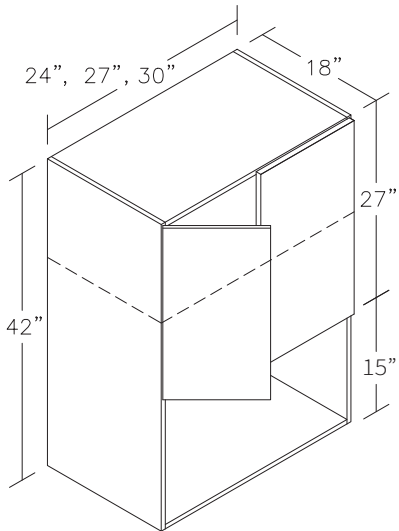
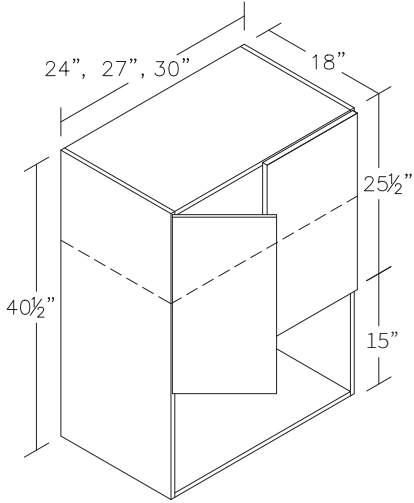
WMOS24271812-2	610	683	732	824	885	976	1128	1354
WMOS27271812	631	707	758	853	916	1011	1169	1402
WMOS24301815-2	660	740	794	892	958	1058	1223	1467
WMOS27301815	682	764	818	921	990	1092	1263	1515
WMOS24331818-2	732	820	878	988	1061	1171	1354	1624
WMOS27331818	754	844	905	1018	1094	1207	1396	1674
WMOS24361821-2	803	899	963	1084	1164	1284	1485	1782
WMOS27361821	827	926	991	1116	1198	1322	1529	1835
WMOS24381823-2	812	910	974	1096	1178	1300	1503	1803
WMOS27381823	836	936	1004	1128	1213	1337	1546	1856
WMVOS24271812-2	837	938	1005	1130	1214	1340	1549	1858
WMVOS27271812	859	962	1031	1160	1245	1374	1589	1906
WMVOS24301815-2	888	994	1066	1199	1288	1421	1643	1972
WMVOS27301815	910	1019	1092	1228	1319	1455	1683	2020
WMVOS24331818-2	959	1074	1150	1295	1390	1534	1774	2129
WMVOS27331818	982	1099	1178	1325	1424	1570	1816	2179
WMVOS24361821-2	1030	1153	1236	1390	1493	1647	1905	2286
WMVOS27361821	1054	1180	1265	1422	1528	1686	1949	2339
WMVOS24381823-2	1039	1164	1247	1403	1507	1663	1923	2308
WMVOS27381823	1063	1191	1276	1435	1541	1701	1967	2361

PRODUCT DETAILS

- 2 doors
- V=matching Veneer interior/exterior; not available in Thermofoil styles

Height	Adjustable Shelves
27" - 33"	0
36" - 38"	1

Wall Microwave Open Shelf continued



WMOS2440.51825.5-2	822	920	986	1110	1192	1316	1520	1825
WMOS2740.51825.5	846	947	1015	1142	1226	1353	1565	1877
WMOS3040.51825.5	869	973	1043	1174	1260	1392	1609	1930
WMOS24421827-2	831	931	997	1122	1205	1329	1537	1845
WMOS27421827	855	958	1025	1154	1240	1368	1582	1898
WMOS30421827	879	984	1055	1187	1274	1406	1626	1951
WMVOS2440.51825.5-2	1049	1175	1259	1416	1522	1679	1941	2330
WMVOS2740.51825.5	1073	1201	1288	1449	1556	1717	1985	2382
WMVOS3040.51825.5	1097	1228	1316	1481	1590	1754	2029	2435
WMVOS24421827-2	1060	1187	1272	1431	1537	1695	1960	2352
WMVOS27421827	1084	1214	1300	1463	1571	1734	2005	2406
WMVOS30421827	1108	1241	1329	1496	1606	1772	2049	2459

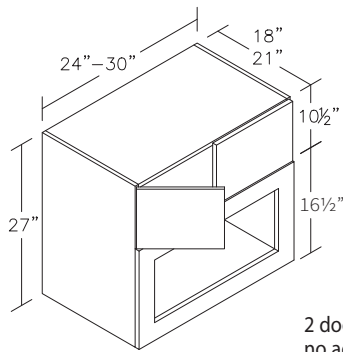
PRODUCT DETAILS

- 2 doors
- V=matching Veneer interior/exterior; not available in Thermofoil styles

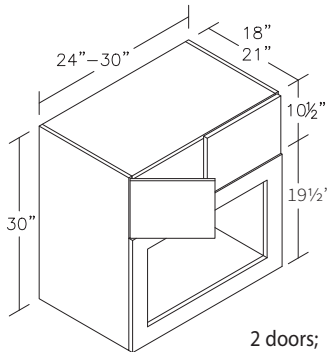
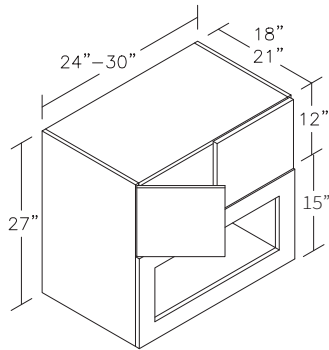
Height	Adjustable Shelves
40" - 42"	1

wall cabinets

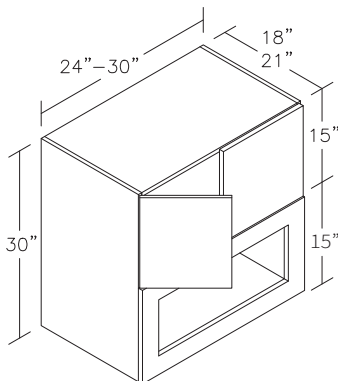
Wall Built in Microwave



2 doors;
no adjustable shelf



2 doors;
no adjustable shelf



	1	2	3	4	5	6	7	8
WMF24271810.5-2	534	597	640	720	773	853	987	1184
WMF27271810.5	566	633	679	763	821	905	1046	1256
WMF30271810.5	600	672	721	810	870	961	1111	1332
WMF24271812-2	534	597	640	720	773	853	987	1184
WMF27271812	566	633	679	763	821	905	1046	1256
WMF30271812	600	672	721	810	870	961	1111	1332
WMF24272110.5-2	534	597	640	720	773	853	987	1184
WMF27272110.5	566	633	679	763	821	905	1046	1256
WMF30272110.5	600	672	721	810	870	961	1111	1332
WMF24272112-2	534	597	640	720	773	853	987	1184
WMF27272112	566	633	679	763	821	905	1046	1256
WMF30272112	600	672	721	810	870	961	1111	1332

	10 1/2" DOOR					12" DOOR				
	Panel Size W x H	Opening Width	Opening Height	Max Width	Max Height	Panel Size W x H	Opening Width	Opening Height	Max Width	Max Height
WMF2427	23 7/8" x 16 3/8"	16"	9 1/4"	20 7/8"	13 3/8"	23 7/8" x 14 7/8"	16"	9 1/4"	20 7/8"	11 7/8"
WMF2727	26 7/8" x 16 3/8"	16"	9 1/4"	23 7/8"	13 3/8"	26 7/8" x 14 7/8"	16"	9 1/4"	23 7/8"	11 7/8"
WMF3027	29 7/8" x 16 3/8"	16"	9 1/4"	26 7/8"	13 3/8"	29 7/8" x 14 7/8"	16"	9 1/4"	26 7/8"	11 7/8"

WMF24301810.5-2	584	654	701	788	847	935	1081	1297
WMF27301810.5	617	691	739	832	894	986	1141	1369
WMF30301810.5	651	729	781	879	944	1042	1204	1446
WMF24301815-2	584	654	701	788	847	935	1081	1297
WMF27301815	617	691	739	832	894	986	1141	1369
WMF30301815	651	729	781	879	944	1042	1204	1446
WMF24302110.5-2	584	654	701	788	847	935	1081	1297
WMF27302110.5	617	691	739	832	894	986	1141	1369
WMF30302110.5	651	729	781	879	944	1042	1204	1446
WMF24302115-2	584	654	701	788	847	935	1081	1297
WMF27302115	617	691	739	832	894	986	1141	1369
WMF30302115	651	729	781	879	944	1042	1204	1446

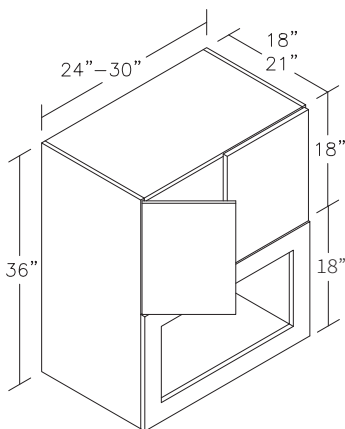
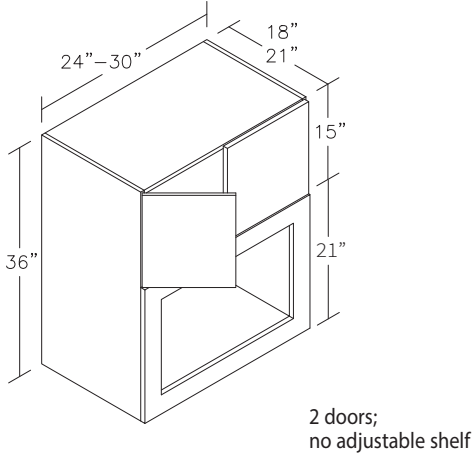
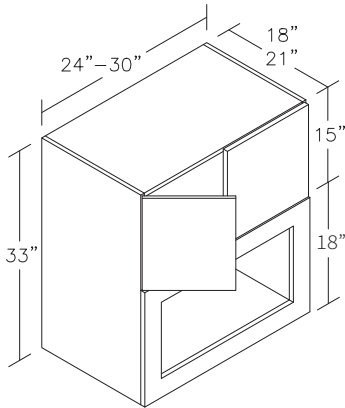
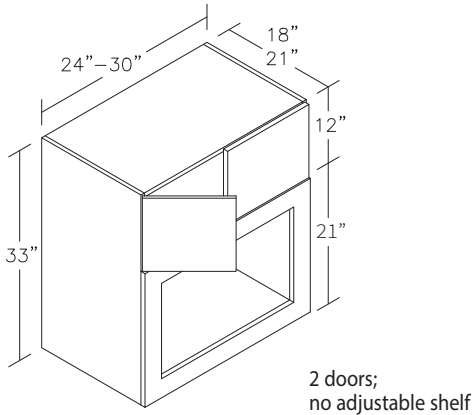
	10 1/2" DOOR					15" DOOR				
	Panel Size W x H	Opening Width	Opening Height	Max Width	Max Height	Panel Size W x H	Opening Width	Opening Height	Max Width	Max Height
WMF2430	23 7/8" x 19 3/8"	16"	9 1/4"	20 7/8"	16 3/8"	23 7/8" x 14 7/8"	16"	9 1/4"	20 7/8"	11 7/8"
WMF2730	26 7/8" x 19 3/8"	16"	9 1/4"	23 7/8"	16 3/8"	26 7/8" x 14 7/8"	16"	9 1/4"	23 7/8"	11 7/8"
WMF3030	29 7/8" x 19 3/8"	16"	9 1/4"	26 7/8"	16 3/8"	29 7/8" x 14 7/8"	16"	9 1/4"	26 7/8"	11 7/8"

PRODUCT DETAILS

- For built-in microwave only
- Filler overlay panel comes installed, but is removable
- Width of filler overlay panel opening can be enlarged to 4" less than cabinet width; panel mounting brackets will interfere with wider openings
- 18" deep wall microwave frame units are the same price as 21" deep. Replace 21 depth with 18 in the product code.

WALL

Wall Built in Microwave continued



WMF24331812-2	648	726	778	875	939	1037	1198	1438
WMF27331812	680	762	816	918	987	1089	1258	1510
WMF30331812	714	801	858	965	1037	1144	1323	1587
WMF24331815-2	648	726	778	875	939	1037	1198	1438
WMF27331815	680	762	816	918	987	1089	1258	1510
WMF30331815	714	801	858	965	1037	1144	1323	1587
WMF24332112-2	648	726	778	875	939	1037	1198	1438
WMF27332112	680	762	816	918	987	1089	1258	1510
WMF30332112	714	801	858	965	1037	1144	1323	1587
WMF24332115-2	648	726	778	875	939	1037	1198	1438
WMF27332115	680	762	816	918	987	1089	1258	1510
WMF30332115	714	801	858	965	1037	1144	1323	1587

	12" DOOR					15" DOOR				
	Panel Size W x H	Opening Width	Opening Height	Max Width	Max Height	Panel Size W x H	Opening Width	Opening Height	Max Width	Max Height
WMF2433	23 ⁷ / ₈ " x 20 ⁷ / ₈ "	16"	9 ¹ / ₄ "	20 ⁷ / ₈ "	17 ¹ / ₈ "	23 ⁷ / ₈ " x 14 ⁷ / ₈ "	16"	9 ¹ / ₄ "	20 ⁷ / ₈ "	11 ⁷ / ₈ "
WMF2733	26 ⁷ / ₈ " x 20 ⁷ / ₈ "	16"	9 ¹ / ₄ "	23 ⁷ / ₈ "	17 ¹ / ₈ "	26 ⁷ / ₈ " x 14 ⁷ / ₈ "	16"	9 ¹ / ₄ "	23 ⁷ / ₈ "	11 ⁷ / ₈ "
WMF3033	29 ⁷ / ₈ " x 20 ⁷ / ₈ "	16"	9 ¹ / ₄ "	26 ⁷ / ₈ "	17 ¹ / ₈ "	29 ⁷ / ₈ " x 14 ⁷ / ₈ "	16"	9 ¹ / ₄ "	26 ⁷ / ₈ "	11 ⁷ / ₈ "

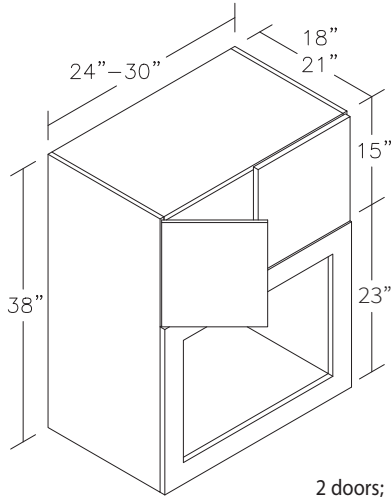
WMF24361815-2	709	795	852	958	1029	1136	1312	1576
WMF27361815	745	833	893	1005	1080	1191	1377	1652
WMF30361815	779	873	935	1051	1129	1246	1440	1728
WMF24361818-2	709	795	852	958	1029	1136	1312	1576
WMF27361818	745	833	893	1005	1080	1191	1377	1652
WMF30361818	779	873	935	1051	1129	1246	1440	1728
WMF24362115-2	709	795	852	958	1029	1136	1312	1576
WMF27362115	745	833	893	1005	1080	1191	1377	1652
WMF30362115	779	873	935	1051	1129	1246	1440	1728
WMF24362118-2	709	795	852	958	1029	1136	1312	1576
WMF27362118	745	833	893	1005	1080	1191	1377	1652
WMF30362118	779	873	935	1051	1129	1246	1440	1728

	15" DOOR					18" DOOR				
	Panel Size W x H	Opening Width	Opening Height	Max Width	Max Height	Panel Size W x H	Opening Width	Opening Height	Max Width	Max Height
WMF2436	23 ⁷ / ₈ " x 20 ⁷ / ₈ "	16"	9 ¹ / ₄ "	20 ⁷ / ₈ "	21 ⁷ / ₈ "	23 ⁷ / ₈ " x 17 ⁷ / ₈ "	16"	9 ¹ / ₄ "	20 ⁷ / ₈ "	15 ⁷ / ₈ "
WMF2736	26 ⁷ / ₈ " x 20 ⁷ / ₈ "	16"	9 ¹ / ₄ "	23 ⁷ / ₈ "	21 ⁷ / ₈ "	26 ⁷ / ₈ " x 17 ⁷ / ₈ "	16"	9 ¹ / ₄ "	23 ⁷ / ₈ "	15 ⁷ / ₈ "
WMF3036	29 ⁷ / ₈ " x 20 ⁷ / ₈ "	16"	9 ¹ / ₄ "	26 ⁷ / ₈ "	21 ⁷ / ₈ "	29 ⁷ / ₈ " x 17 ⁷ / ₈ "	16"	9 ¹ / ₄ "	26 ⁷ / ₈ "	15 ⁷ / ₈ "

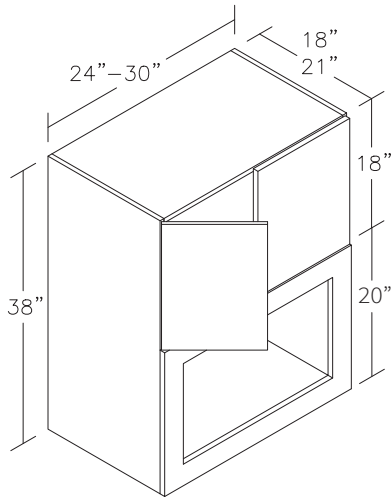
PRODUCT DETAILS

- For built-in microwave only
- Filler overlay panel comes installed, but is removable
- Width of filler overlay panel opening can be enlarged to 4" less than cabinet width; panel mounting brackets will interfere with wider openings
- 18" deep wall microwave frame units are the same price as 21" deep. Replace 21 depth with 18 in the product code.

Wall Built in Microwave continued



2 doors;
no adjustable shelf



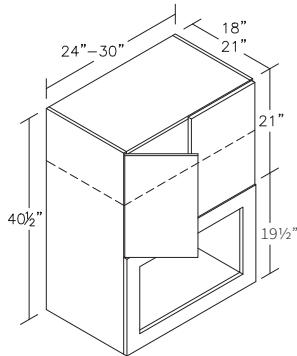
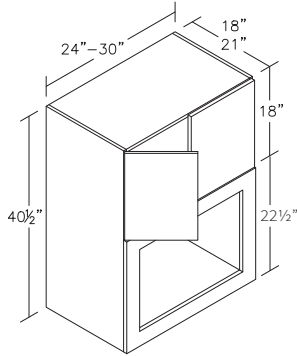
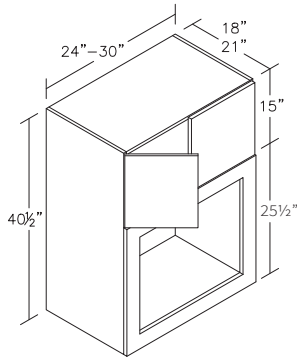
WMF24381815-2	821	919	985	1109	1191	1314	1518	1822
WMF27381815	876	981	1051	1182	1270	1402	1620	1945
WMF30381815	932	1043	1118	1258	1351	1491	1724	2069
WMF24381818-2	821	919	985	1109	1191	1314	1518	1822
WMF27381818	876	981	1051	1182	1270	1402	1620	1945
WMF30381818	932	1043	1118	1258	1351	1491	1724	2069
WMF24382115-2	821	919	985	1109	1191	1314	1518	1822
WMF27382115	876	981	1051	1182	1270	1402	1620	1945
WMF30382115	932	1043	1118	1258	1351	1491	1724	2069
WMF24382118-2	821	919	985	1109	1191	1314	1518	1822
WMF27382118	876	981	1051	1182	1270	1402	1620	1945
WMF30382118	932	1043	1118	1258	1351	1491	1724	2069

	15" DOOR					18" DOOR				
	Panel Size W x H	Opening Width	Opening Height	Max Width	Max Height	Panel Size W x H	Opening Width	Opening Height	Max Width	Max Height
WMF2438	23 ⁷ / ₈ " x 23 ⁷ / ₈ "	16"	9 ¹ / ₄ "	20 ⁷ / ₈ "	20 ⁷ / ₈ "	23 ⁷ / ₈ " x 19 ⁷ / ₈ "	16"	9 ¹ / ₄ "	20 ⁷ / ₈ "	16 ⁷ / ₈ "
WMF2738	26 ⁷ / ₈ " x 23 ⁷ / ₈ "	16"	9 ¹ / ₄ "	23 ⁷ / ₈ "	20 ⁷ / ₈ "	26 ⁷ / ₈ " x 19 ⁷ / ₈ "	16"	9 ¹ / ₄ "	23 ⁷ / ₈ "	16 ⁷ / ₈ "
WMF3038	29 ⁷ / ₈ " x 23 ⁷ / ₈ "	16"	9 ¹ / ₄ "	26 ⁷ / ₈ "	20 ⁷ / ₈ "	29 ⁷ / ₈ " x 19 ⁷ / ₈ "	16"	9 ¹ / ₄ "	26 ⁷ / ₈ "	16 ⁷ / ₈ "

PRODUCT DETAILS

- For built-in microwave only
- Filler overlay panel comes installed, but is removable
- Width of filler overlay panel opening can be enlarged to 4" less than cabinet width; panel mounting brackets will interfere with wider openings
- 18" deep wall microwave frame units are the same price as 21" deep. Replace 21 depth with 18 in the product code.

Wall Built in Microwave continued



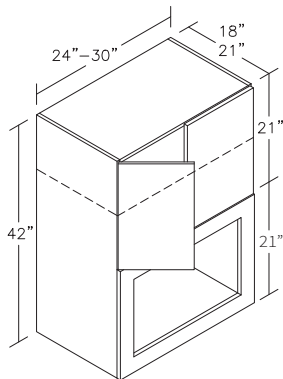
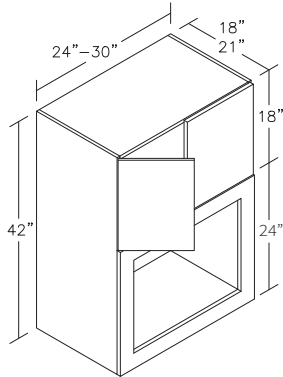
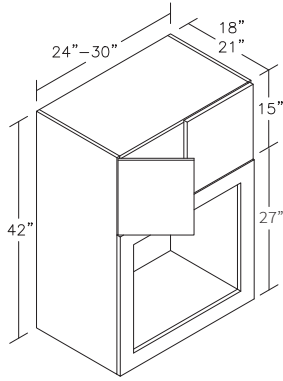
WMF2440.51815-2	932	1044	1119	1258	1352	1491	1724	2070
WMF2740.51815	1008	1129	1210	1361	1461	1613	1865	2238
WMF3040.51815	1085	1215	1302	1464	1574	1736	2007	2409
WMF2440.51818-2	932	1044	1119	1258	1352	1491	1724	2070
WMF2740.51818	1008	1129	1210	1361	1461	1613	1865	2238
WMF3040.51818	1085	1215	1302	1464	1574	1736	2007	2409
WMF2440.51821-2	932	1044	1119	1258	1352	1491	1724	2070
WMF2740.51821	1008	1129	1210	1361	1461	1613	1865	2238
WMF3040.51821	1085	1215	1302	1464	1574	1736	2007	2409
WMF2440.52115-2	932	1044	1119	1258	1352	1491	1724	2070
WMF2740.52115	1008	1129	1210	1361	1461	1613	1865	2238
WMF3040.52115	1085	1215	1302	1464	1574	1736	2007	2409
WMF2440.52118-2	932	1044	1119	1258	1352	1491	1724	2070
WMF2740.52118	1008	1129	1210	1361	1461	1613	1865	2238
WMF3040.52118	1085	1215	1302	1464	1574	1736	2007	2409
WMF2440.52121-2	932	1044	1119	1258	1352	1491	1724	2070
WMF2740.52121	1008	1129	1210	1361	1461	1613	1865	2238
WMF3040.52121	1085	1215	1302	1464	1574	1736	2007	2409

	15" DOOR					18" DOOR					21" DOOR				
	Panel Size W x H	Opening Width	Opening Height	Max Width	Max Height	Panel Size W x H	Opening Width	Opening Height	Max Width	Max Height	Panel Size W x H	Opening Width	Opening Height	Max Width	Max Height
WMF2440.5	23 ⁷ / ₈ " x 25 ³ / ₈ "	16"	9 ¹ / ₄ "	20 ⁷ / ₈ "	22 ³ / ₈ "	23 ⁷ / ₈ " x 22 ³ / ₈ "	16"	9 ¹ / ₄ "	20 ⁷ / ₈ "	19 ³ / ₈ "	23 ⁷ / ₈ " x 19 ³ / ₈ "	16"	9 ¹ / ₄ "	20 ⁷ / ₈ "	16 ³ / ₈ "
WMF2740.5	26 ⁷ / ₈ " x 25 ³ / ₈ "	16"	9 ¹ / ₄ "	23 ⁷ / ₈ "	22 ³ / ₈ "	26 ⁷ / ₈ " x 22 ³ / ₈ "	16"	9 ¹ / ₄ "	23 ⁷ / ₈ "	19 ³ / ₈ "	26 ⁷ / ₈ " x 19 ³ / ₈ "	16"	9 ¹ / ₄ "	23 ⁷ / ₈ "	16 ³ / ₈ "
WMF3040.5	29 ⁷ / ₈ " x 25 ³ / ₈ "	16"	9 ¹ / ₄ "	26 ⁷ / ₈ "	22 ³ / ₈ "	29 ⁷ / ₈ " x 22 ³ / ₈ "	16"	9 ¹ / ₄ "	26 ⁷ / ₈ "	19 ³ / ₈ "	29 ⁷ / ₈ " x 19 ³ / ₈ "	16"	9 ¹ / ₄ "	26 ⁷ / ₈ "	16 ³ / ₈ "

PRODUCT DETAILS

- 2 doors
- Units with 21" doors will have 1 adjustable shelf
- For built-in microwave only
- Filler overlay panel comes installed, but is removable
- Width of filler overlay panel opening can be enlarged to 4" less than cabinet width; panel mounting brackets will interfere with wider openings
- 18" deep wall microwave frame units are the same price as 21" deep. Replace 21 depth with 18 in the product code.

Wall Built in Microwave continued



WMF24421815-2	1043	1168	1252	1408	1512	1669	1930	2316
WMF27421815	1140	1277	1368	1539	1653	1824	2109	2530
WMF30421815	1238	1386	1485	1671	1795	1980	2290	2748
WMF24421818-2	1043	1168	1252	1408	1512	1669	1930	2316
WMF27421818	1140	1277	1368	1539	1653	1824	2109	2530
WMF30421818	1238	1386	1485	1671	1795	1980	2290	2748
WMF24421821-2	1043	1168	1252	1408	1512	1669	1930	2316
WMF27421821	1140	1277	1368	1539	1653	1824	2109	2530
WMF30421821	1238	1386	1485	1671	1795	1980	2290	2748
WMF24422115-2	1043	1168	1252	1408	1512	1669	1930	2316
WMF27422115	1140	1277	1368	1539	1653	1824	2109	2530
WMF30422115	1238	1386	1485	1671	1795	1980	2290	2748
WMF24422118-2	1043	1168	1252	1408	1512	1669	1930	2316
WMF27422118	1140	1277	1368	1539	1653	1824	2109	2530
WMF30422118	1238	1386	1485	1671	1795	1980	2290	2748
WMF24422121-2	1043	1168	1252	1408	1512	1669	1930	2316
WMF27422121	1140	1277	1368	1539	1653	1824	2109	2530
WMF30422121	1238	1386	1485	1671	1795	1980	2290	2748

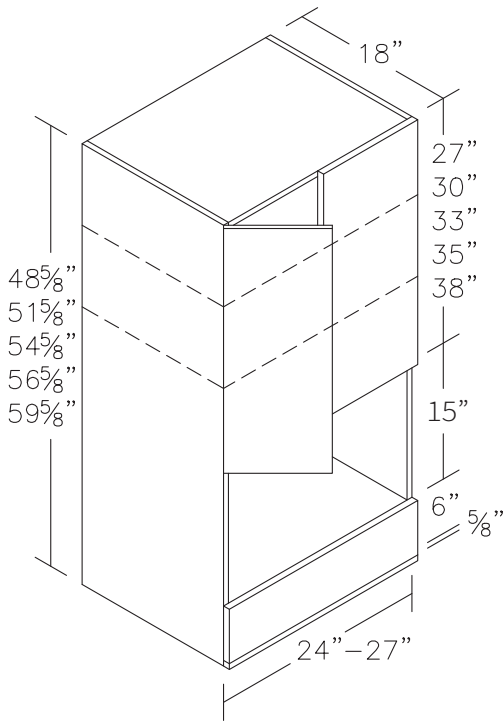
WALL

	15" DOOR					18" DOOR					21" DOOR				
	Panel Size W x H	Opening Width	Opening Height	Max Width	Max Height	Panel Size W x H	Opening Width	Opening Height	Max Width	Max Height	Panel Size W x H	Opening Width	Opening Height	Max Width	Max Height
WMF2442	23 ⁷ / ₈ " x 26 ⁷ / ₈ "	16"	9 ¹ / ₄ "	20 ⁷ / ₈ "	23 ⁷ / ₈ "	23 ⁷ / ₈ " x 24 ⁷ / ₈ "	16"	9 ¹ / ₄ "	20 ⁷ / ₈ "	21 ⁷ / ₈ "	23 ⁷ / ₈ " x 20 ⁷ / ₈ "	16"	9 ¹ / ₄ "	20 ⁷ / ₈ "	17 ⁷ / ₈ "
WMF2742	26 ⁷ / ₈ " x 26 ⁷ / ₈ "	16"	9 ¹ / ₄ "	23 ⁷ / ₈ "	23 ⁷ / ₈ "	26 ⁷ / ₈ " x 24 ⁷ / ₈ "	16"	9 ¹ / ₄ "	23 ⁷ / ₈ "	21 ⁷ / ₈ "	26 ⁷ / ₈ " x 20 ⁷ / ₈ "	16"	9 ¹ / ₄ "	23 ⁷ / ₈ "	17 ⁷ / ₈ "
WMF3042	29 ⁷ / ₈ " x 26 ⁷ / ₈ "	16"	9 ¹ / ₄ "	26 ⁷ / ₈ "	23 ⁷ / ₈ "	29 ⁷ / ₈ " x 24 ⁷ / ₈ "	16"	9 ¹ / ₄ "	26 ⁷ / ₈ "	21 ⁷ / ₈ "	29 ⁷ / ₈ " x 20 ⁷ / ₈ "	16"	9 ¹ / ₄ "	26 ⁷ / ₈ "	17 ⁷ / ₈ "

PRODUCT DETAILS

- 2 doors
- Units with 21" doors will have 1 adjustable shelf
- For built-in microwave only
- Filler overlay panel comes installed, but is removable
- Width of filler overlay panel opening can be enlarged to 4" less than cabinet width; panel mounting brackets will interfere with wider openings
- 18" deep wall microwave frame units are the same price as 21" deep. Replace 21 depth with 18 in the product code.

Wall Drawer Microwave with Open Shelf



WDMW244818-21V	1008	1129	1210	1361	1461	1613	1865	2238
WDMW274818-21V	1025	1148	1230	1384	1487	1640	1897	2277
WDMW245118-21V	1043	1168	1251	1407	1512	1668	1929	2315
WDMW275118-21V	1060	1188	1272	1431	1537	1696	1961	2354
WDMW245418-21V	1078	1207	1294	1456	1563	1725	1995	2394
WDMW275418-21V	1096	1227	1315	1479	1589	1753	2027	2433
WDMW245618-21V	1113	1247	1335	1503	1614	1780	2059	2471
WDMW275618-21V	1130	1266	1356	1526	1639	1809	2091	2510
WDMW2458.518-21V	1147	1285	1377	1550	1664	1837	2123	2548
WDMW2758.518-21V	1165	1304	1398	1572	1689	1864	2155	2586
WDMWV244818-21V	1413	1583	1696	1908	2050	2262	2616	3139
WDMWV274818-21V	1431	1603	1717	1931	2075	2289	2647	3177
WDMWV245118-21V	1449	1622	1738	1955	2100	2317	2679	3215
WDMWV275118-21V	1465	1641	1759	1978	2125	2345	2711	3253
WDMWV245418-21V	1484	1662	1780	2003	2152	2374	2746	3295
WDMWV275418-21V	1502	1682	1801	2027	2177	2402	2778	3333
WDMWV245618-21V	1518	1700	1822	2050	2202	2429	2809	3372
WDMWV275618-21V	1536	1720	1843	2074	2227	2458	2841	3409
WDMWV2458.518-21V	1553	1740	1864	2097	2252	2486	2874	3448
WDMWV2758.518-21V	1570	1759	1884	2121	2278	2513	2906	3486

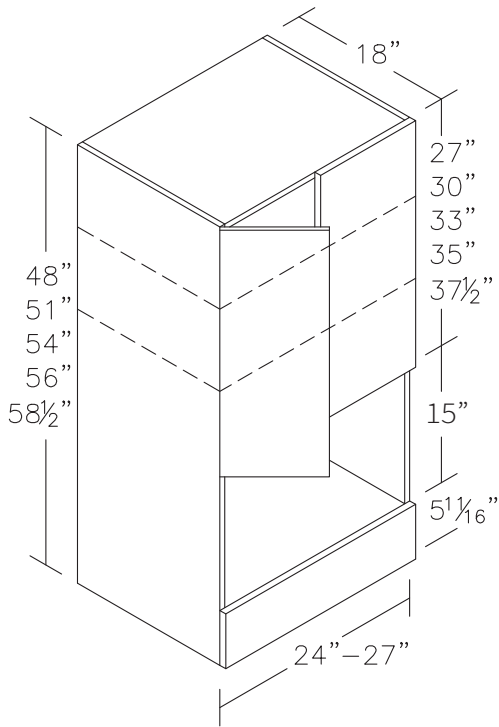
PRODUCT DETAILS

- 2 doors
- 48 5/8" and 51 5/8" have 2 adjustable shelves, taller units have 3 adjustable shelves
- 1 drawer
- 1 fixed shelf above drawer
- 18" deep, one 5/8" filler
- V=matching Veneer interior/exterior

DESIGN CONSIDERATIONS

- Microwave opening size is 13 3/4" high
- Only available in wood door styles, not available in Melamine, Thermofoil, Acrylic, Veneer, or HDF door styles

Wall Drawer Microwave with Open Shelf Slab Front



	1	2	3	4	5	6	7	8
WDMWX244818-21V	1008	1129	1210	1361	1461	1613	1865	2238
WDMWX274818-21V	1025	1148	1230	1384	1487	1640	1897	2277
WDMWX245118-21V	1043	1168	1251	1407	1512	1668	1929	2315
WDMWX275118-21V	1060	1188	1272	1431	1537	1696	1961	2354
WDMWX245418-21V	1078	1207	1294	1456	1563	1725	1995	2394
WDMWX275418-21V	1096	1227	1315	1479	1589	1753	2027	2433
WDMWX245618-21V	1113	1247	1335	1503	1614	1780	2059	2471
WDMWX275618-21V	1130	1266	1356	1526	1639	1809	2091	2510
WDMWX2458.518-21V	1147	1285	1377	1550	1664	1837	2123	2548
WDMWX2758.518-21V	1165	1304	1398	1572	1689	1864	2155	2586
WDMWX244818-21V	1413	1583	1696	1908	2050	2262	2616	3139
WDMWX274818-21V	1431	1603	1717	1931	2075	2289	2647	3177
WDMWX245118-21V	1449	1622	1738	1955	2100	2317	2679	3215
WDMWX275118-21V	1465	1641	1759	1978	2125	2345	2711	3253
WDMWX245418-21V	1484	1662	1780	2003	2152	2374	2746	3295
WDMWX275418-21V	1502	1682	1801	2027	2177	2402	2778	3333
WDMWX245618-21V	1518	1700	1822	2050	2202	2429	2809	3372
WDMWX275618-21V	1536	1720	1843	2074	2227	2458	2841	3409
WDMWX2458.518-21V	1553	1740	1864	2097	2252	2486	2874	3448
WDMWX2758.518-21V	1570	1759	1884	2121	2278	2513	2906	3486

WALL

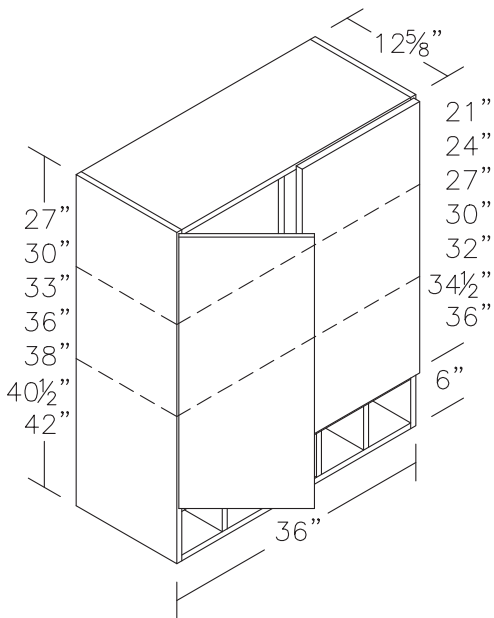
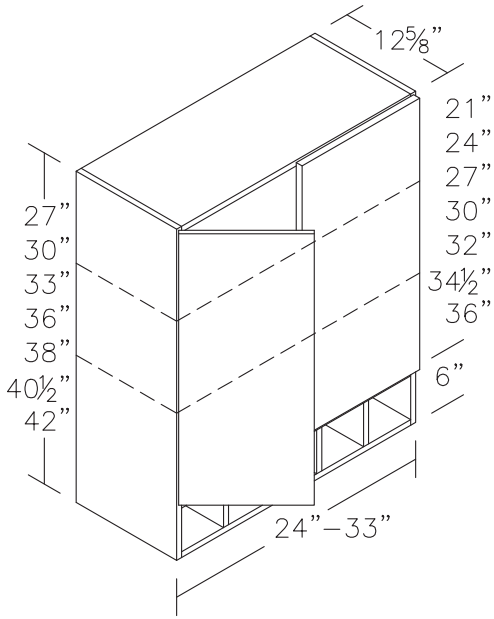
PRODUCT DETAILS

- 2 doors
- 48" and 51" have 2 adjustable shelves, taller units have 3
- 1 drawer
- 1 fixed shelf above drawer
- V=matching Veneer interior/exterior

DESIGN CONSIDERATIONS

- Microwave opening size is 13 3/4" high
- These units are only available with slab fronts
- Not available in Thermofoil door styles

Wall Desk Letter Slot (Melamine)



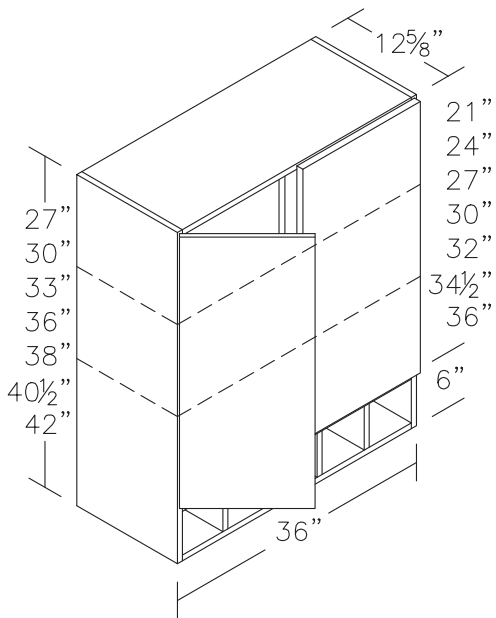
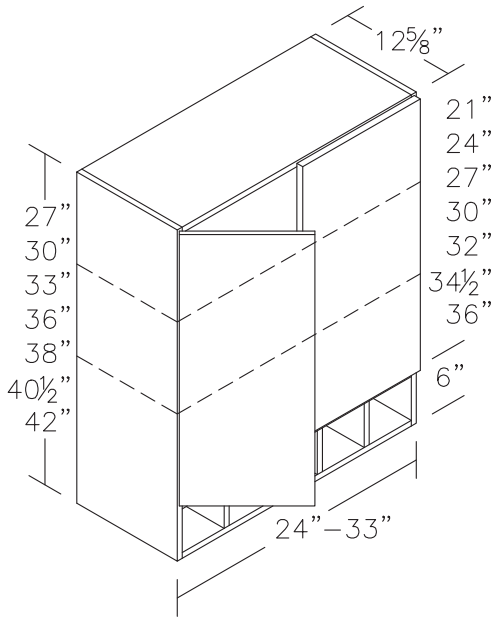
WDLS2427-2	939	1052	1127	1268	1362	1503	1738	2085
WDLS3027	1010	1132	1213	1363	1464	1616	1869	2242
WDLS3627	1070	1198	1284	1445	1552	1712	1980	2375
WDLS2430-2	1005	1124	1205	1355	1456	1607	1857	2229
WDLS3030	1068	1196	1281	1441	1549	1709	1976	2370
WDLS3630	1135	1271	1362	1532	1645	1816	2100	2520
WDLS2433-2	1075	1204	1290	1451	1559	1720	1988	2387
WDLS3033	1141	1278	1369	1540	1655	1825	2110	2532
WDLS3633	1211	1355	1452	1634	1754	1936	2239	2686
WDLS2436-2	1155	1294	1386	1560	1675	1849	2138	2566
WDLS3036	1224	1371	1468	1652	1774	1957	2264	2716
WDLS3636	1295	1451	1554	1748	1878	2072	2396	2875
WDLS2438-2	1194	1336	1432	1611	1731	1909	2208	2650
WDLS3038	1262	1413	1514	1702	1829	2019	2334	2801
WDLS3638	1333	1492	1600	1799	1932	2133	2466	2959
WDLS2440.5-2	1270	1412	1508	1687	1806	1985	2284	2726
WDLS3040.5	1337	1489	1590	1778	1905	2094	2409	2876
WDLS3640.5	1409	1568	1675	1875	2008	2209	2542	3035
WDLS2442-2	1346	1507	1615	1817	1948	2153	2490	2988
WDLS3042	1413	1583	1696	1908	2050	2261	2615	3138
WDLS3642	1485	1663	1783	2005	2154	2376	2748	3297

PRODUCT DETAILS

- 2 doors
- 27"-30" have 1 adjustable shelf, 33"-40 1/2" have 2 adjustable shelves, 42" has 3 adjustable shelves
- 36" and above widths have a center stile
- 4 vertical dividers regardless of width
- Matching Melamine interior/exterior (where available)

WALL

Wall Desk Letter Slot (Veneer)

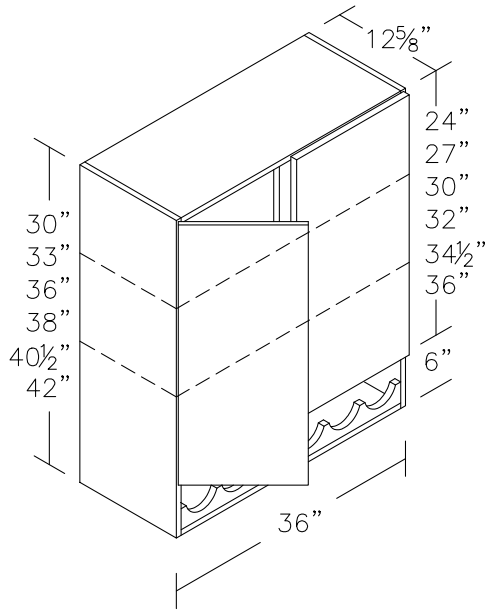
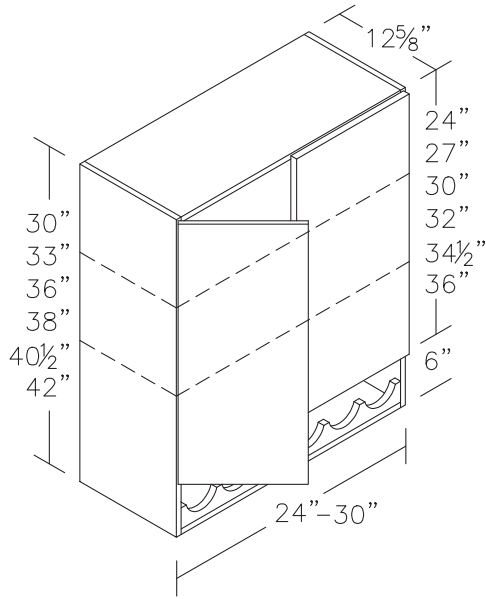


WDLV2427-2	1167	1306	1400	1575	1691	1866	2158	2590
WDLV3027	1297	1453	1557	1751	1881	2076	2400	2880
WDLV3627	1238	1385	1485	1670	1794	1979	2289	2747
WDLV2430-2	1231	1379	1478	1662	1786	1970	2278	2733
WDLV3030	1295	1451	1554	1748	1878	2072	2396	2875
WDLV3630	1362	1526	1635	1839	1975	2180	2520	3024
WDLV2433-2	1302	1458	1562	1758	1888	2083	2409	2891
WDLV3033	1368	1532	1641	1847	1983	2189	2530	3037
WDLV3633	1437	1610	1724	1941	2084	2299	2659	3191
WDLV2436-2	1383	1549	1659	1867	2005	2212	2558	3070
WDLV3036	1451	1624	1741	1958	2104	2321	2684	3221
WDLV3636	1523	1705	1826	2055	2207	2436	2816	3379
WDLV2438-2	1448	1613	1724	1932	2070	2277	2623	3135
WDLV3038	1516	1689	1806	2023	2169	2386	2749	3286
WDLV3638	1587	1769	1891	2120	2272	2501	2881	3444
WDLV2440.5-2	1535	1700	1810	2018	2157	2364	2710	3222
WDLV3040.5	1602	1776	1892	2110	2255	2473	2836	3372
WDLV3640.5	1674	1856	1978	2206	2358	2587	2968	3530
WDLV2442-2	1622	1817	1947	2190	2352	2596	3001	3602
WDLV3042	1596	1788	1916	2155	2315	2554	2954	3544
WDLV3642	1762	1973	2114	2378	2554	2818	3259	3911

PRODUCT DETAILS

- 2 doors
- 27"-30" have 1 adjustable shelf, 33"-40 1/2" have 2 adjustable shelves, 42" has 3 adjustable shelves
- 36" and above widths have a center stile
- 4 vertical dividers regardless of width
- Matching Veneer interior/exterior

Wall Wine Scallop Combination



WWSC2430-2	995	1115	1194	1344	1442	1592	1841	2209
WWSC3030	1073	1202	1289	1450	1557	1718	1986	2384
WWSC3630	1152	1291	1382	1555	1670	1843	2131	2557
WWSC2433-2	1066	1194	1279	1439	1545	1706	1972	2366
WWSC3033	1146	1284	1376	1548	1663	1835	2122	2545
WWSC3633	1227	1375	1473	1657	1779	1964	2270	2725
WWSC2436-2	1137	1273	1364	1535	1648	1819	2103	2524
WWSC3036	1220	1366	1463	1646	1768	1951	2256	2707
WWSC3636	1302	1459	1563	1759	1889	2084	2410	2891
WWSC2438-2	1146	1284	1376	1548	1662	1835	2121	2545
WWSC3038	1229	1377	1475	1660	1783	1967	2274	2729
WWSC3638	1312	1470	1575	1771	1902	2100	2427	2913
WWSC2440.5-2	1156	1295	1387	1561	1676	1850	2139	2567
WWSC3040.5	1239	1387	1487	1672	1796	1982	2292	2751
WWSC3640.5	1322	1481	1586	1785	1917	2115	2445	2935
WWSC2442-2	1167	1307	1400	1576	1692	1867	2160	2591
WWSC3042	1248	1398	1498	1685	1810	1997	2309	2771
WWSC3642	1331	1491	1597	1797	1930	2130	2463	2956

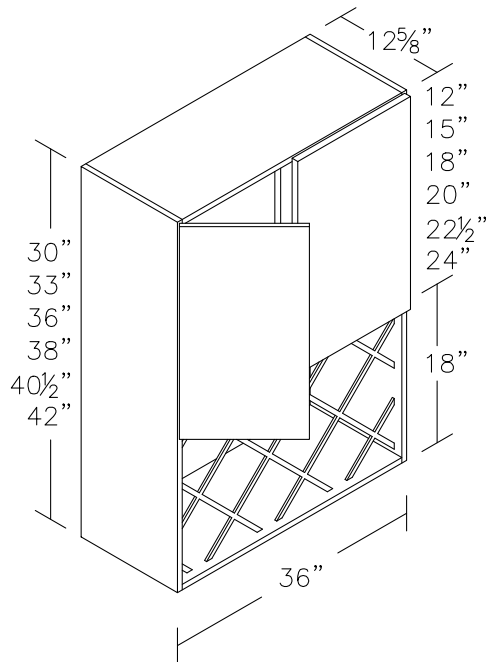
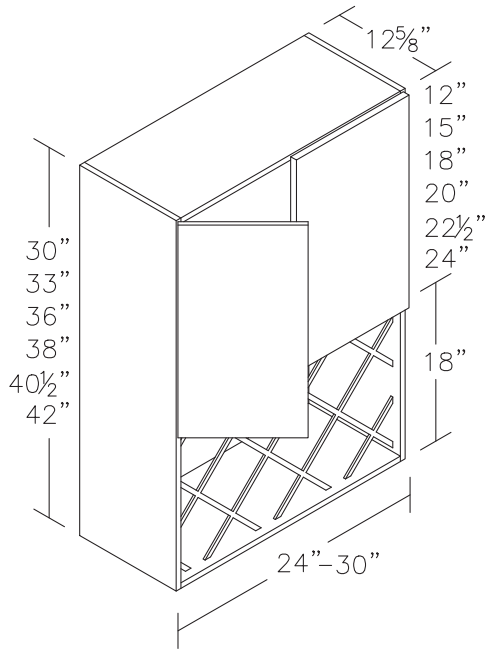
PRODUCT DETAILS

- 2 doors
- 30" has 1 adjustable shelf, 33"-40 1/2" have 2 adjustable shelves, 42" has 3 adjustable shelves
- 36" wide unit will have a center stile
- Wood styles come with matching Veneer interior/exterior

DESIGN CONSIDERATIONS

- Not available in Melamine, Thermofoil, Acrylic, Veneer, or PureStyle™ (unit is available in HDF)

Wall Criss Cross Wine Rack Combination



WCCWRC2430-2	1630	1825	1955	2200	2363	2607	3014	3617
WCCWRC3030	1753	1965	2105	2368	2543	2806	3245	3894
WCCWRC3630	1801	2017	2161	2432	2611	2882	3331	3998
WCCWRC2433-2	1608	1800	1929	2170	2331	2572	2974	3569
WCCWRC3033	1726	1934	2072	2331	2504	2763	3195	3833
WCCWRC3633	1766	1978	2118	2384	2560	2825	3267	3920
WCCWRC2436-2	1663	1863	1996	2245	2411	2660	3076	3692
WCCWRC3036	1788	2002	2144	2413	2592	2860	3306	3968
WCCWRC3636	1819	2037	2183	2455	2637	2910	3364	4037
WCCWRC2438-2	1663	1863	1996	2245	2412	2661	3077	3693
WCCWRC3038	1788	2002	2146	2414	2593	2861	3307	3969
WCCWRC3638	1835	2055	2202	2477	2660	2936	3395	4074
WCCWRC2440.5-2	1688	1891	2025	2279	2447	2701	3122	3747
WCCWRC3040.5	1809	2026	2170	2442	2623	2894	3347	4015
WCCWRC3640.5	1837	2057	2205	2480	2663	2939	3399	4078
WCCWRC2442-2	1688	1891	2025	2279	2447	2701	3122	3747
WCCWRC3042	1809	2026	2170	2442	2623	2894	3347	4015
WCCWRC3642	1837	2057	2205	2480	2663	2939	3399	4078

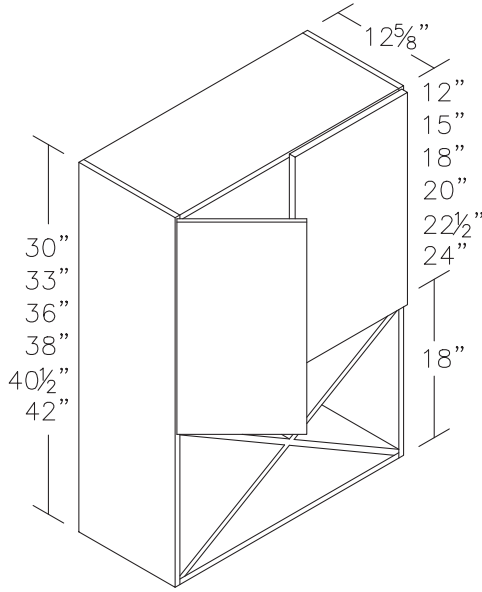
PRODUCT DETAILS

- 2 doors, no adjustable shelf
- 42" unit has 1 adjustable shelf
- 36" wide unit will have a center stile
- Comes with matching Veneer interior/exterior

DESIGN CONSIDERATIONS

- Only available in Oak, Maple, Cherry, Alder and Rift Oak

Wall X Wine Rack Combination



WXWRC1830(L/R)	1831	2051	2198	2472	2655	2930	3387	4065
WXWRC2430-2	1923	2154	2308	2596	2788	3077	3558	4269
WXWRC1833(L/R)	1889	2115	2267	2550	2739	3022	3494	4193
WXWRC2433-2	1994	2233	2393	2692	2891	3191	3689	4426
WXWRC1836(L/R)	1947	2181	2336	2628	2823	3115	3602	4322
WXWRC2436-2	2064	2313	2477	2787	2994	3304	3820	4583
WXWRC1838(L/R)	1956	2191	2348	2642	2837	3130	3620	4344
WXWRC2438-2	2075	2323	2490	2801	3008	3320	3838	4605
WXWRC1840.5(L/R)	1967	2203	2360	2654	2852	3146	3638	4365
WXWRC2440.5-2	2084	2335	2501	2814	3022	3335	3856	4627
WXWRC1842(L/R)	1977	2214	2372	2669	2866	3164	3658	4389
WXWRC2442-2	2094	2345	2513	2827	3036	3350	3873	4648

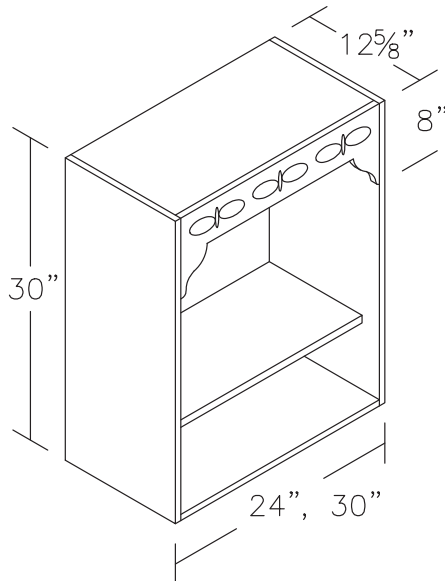
PRODUCT DETAILS

- 2 doors, no adjustable shelf
- 42" unit has 1 adjustable shelf
- 18" wide unit comes with 1 door; larger widths will have 2 doors
- Wood styles come with matching Veneer interior/exterior
- WXWRC1830 holds approximately 15 3" diameter bottles of wine;
- WXWRC2430 holds approximately 23 3" diameter bottles of wine

DESIGN CONSIDERATIONS

- Not available in Thermofoil and Acrylic

Wall Open Fret



WOF2430	948	948	948	948	948	948	948	1043
WOF3030	1017	1017	1017	1017	1017	1017	1017	1119

PRODUCT DETAILS

- 1 adjustable shelf
- Wood styles come with matching Veneer interior/exterior

DESIGN CONSIDERATIONS

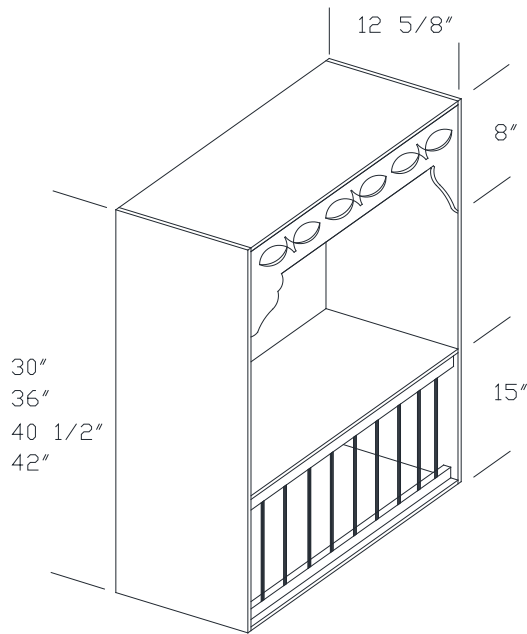
- Only available with wood door styles (Oak, Maple, Cherry, Alder and Rift Oak)
- Not available in Thermofoil, Acrylic, Melamine, or PureStyle™
- No modifications

(L/R) specify L (hinge left) or R (hinge right) to cabinet code

WALL

wall cabinets

Wall Plate Fret



	1	2	3	4	5	6	7	8
WPF2427	1658	1658	1658	1658	1658	1658	1658	1824
WPF3027	1727	1727	1727	1727	1727	1727	1727	1900
WPF2430	1676	1676	1676	1676	1676	1676	1676	1844
WPF3030	1746	1746	1746	1746	1746	1746	1746	1921
WPF2433	1694	1694	1694	1694	1694	1694	1694	1864
WPF3033	1766	1766	1766	1766	1766	1766	1766	1943
WPF2436	1713	1713	1713	1713	1713	1713	1713	1884
WPF3036	1786	1786	1786	1786	1786	1786	1786	1964
WPF2438	1726	1726	1726	1726	1726	1726	1726	1899
WPF3038	1800	1800	1800	1800	1800	1800	1800	1980
WPF2440.5	1740	1740	1740	1740	1740	1740	1740	1914
WPF3040.5	1815	1815	1815	1815	1815	1815	1815	1996
WPF2442	1753	1753	1753	1753	1753	1753	1753	1753
WPF3042	1829	1829	1829	1829	1829	1829	1829	1829

UNIT	# of plates
24" WIDE	10
30" WIDE	13

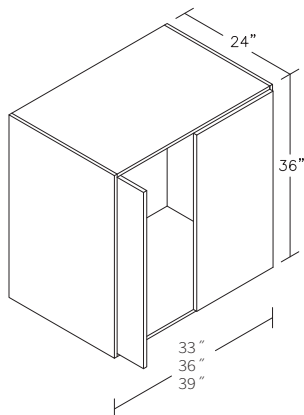
PRODUCT DETAILS

- 1 fixed shelf
- Face is removable for cleaning
- Clearance for plates is 12"
- Wood styles come with matching Veneer interior/exterior

DESIGN CONSIDERATIONS

- Fret design may not be as shown
- Only available with wood door styles in Oak, Maple, and Cherry
- Alder will be substituted with Cherry; Rift Oak will be substituted with Oak
- Not available in Walnut, Thermofoil, Melamine, Acrylic, or PureStyle™
- No modifications

Wall Pocket Door



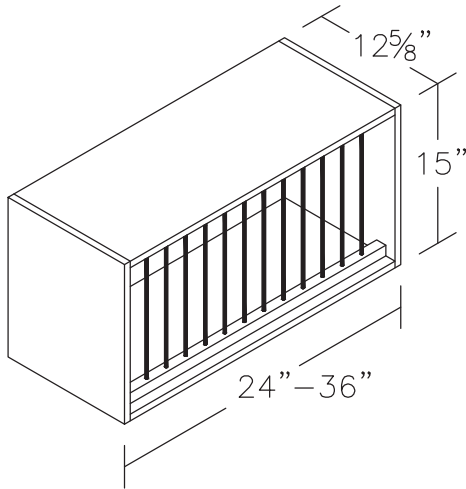
WPD3336	1876	1876	1876	1876	1876	1876	1876	2064
WPD3636	1889	1889	1889	1889	1889	1889	1889	2078
WPD3936	1913	1913	1913	1913	1913	1913	1913	2104

PRODUCT DETAILS

- Doors recess between top and bottom shelf in the open position
- Inside clearance is 6" less than the width of the unit
- Cabinet comes in Melamine, unless another interior/exterior is specified
- Dimensions:
 - 19" minimum cabinet height
 - 42" maximum door height
 - 24" maximum door width
 - 21" minimum unit depth

WALL

Plate Rack Cabinet



WPL2415	815	815	815	815	815	815	815	897
WPL3015	860	860	860	860	860	860	860	946
WPL3315	884	884	884	884	884	884	884	972
WPL3615	905	905	905	905	905	905	905	995

UNIT	# of plates
WPL2415	10
WPL3015	13
WPL3315	14
WPL3615	16

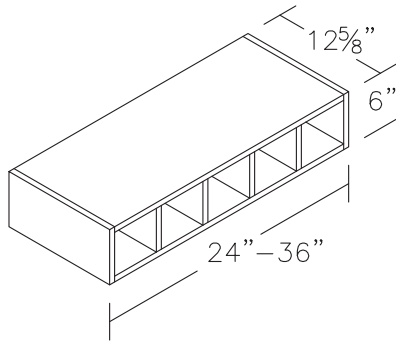
PRODUCT DETAILS

- Face is removable for cleaning
- Clearance for plates is 12"
- Wood styles come with matching Veneer interior/exterior

DESIGN CONSIDERATIONS

- Available with wood door styles in Oak, Maple, and Cherry
- Alder will be substituted with Cherry; Rift Oak will be substituted with Oak
- Not available in Walnut, Thermofoil, Melamine, Acrylic, or PureStyle™
- No modifications

Desk Letter Slot Horizontal

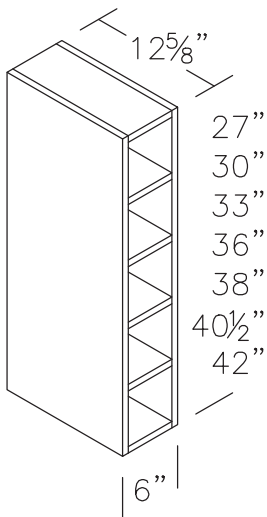


DLS246	441	441	441	441	441	441	441	485
DLS306	461	461	461	461	461	461	461	507
DLS366	485	485	485	485	485	485	485	533

PRODUCT DETAILS

- 4 vertical dividers regardless of width
- Comes with matching interior/exterior

Desk Letter Slot Vertical



DLV627	433	433	433	433	433	433	433	476
DLV630	454	454	454	454	454	454	454	500
DLV633	476	476	476	476	476	476	476	524
DLV636	497	497	497	497	497	497	497	547
DLV638	519	519	519	519	519	519	519	571
DLV640.5	541	541	541	541	541	541	541	595
DLV642	563	563	563	563	563	563	563	619

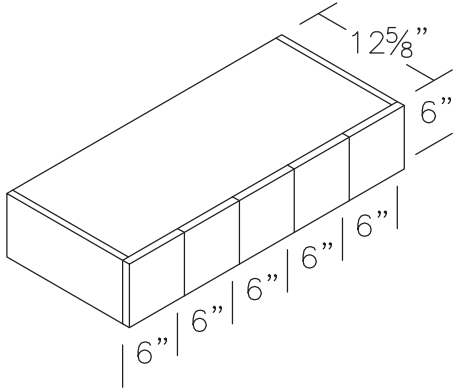
PRODUCT DETAILS

- 4 horizontal dividers regardless of height
- Comes with matching interior/exterior

wall cabinets

1 2 3 4 5 6 7 8

Spice Drawer Horizontal

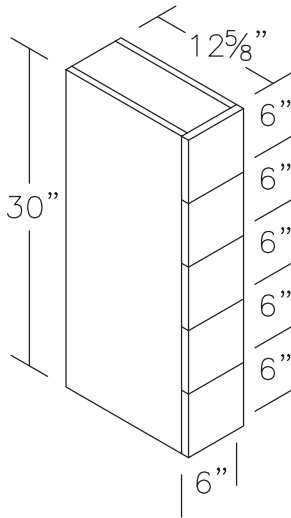


SDH18	496	496	496	496	496	496	496	546
SDH24	613	613	613	613	613	613	613	674
SDH30	721	721	721	721	721	721	721	793
SDH36	838	838	838	838	838	838	838	922
SDH42	950	950	950	950	950	950	950	1044

PRODUCT DETAILS

- 3, 4, 5, 6 or 7 drawers friction fit (no slides), slab drawer fronts
- Drawer boxes are made of wood
- Matching sides, top, and bottom

Spice Drawer Vertical



SDV6	723	723	723	723	723	723	723	795
------	-----	-----	-----	-----	-----	-----	-----	-----

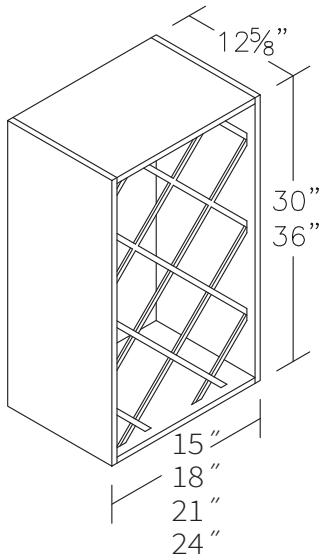
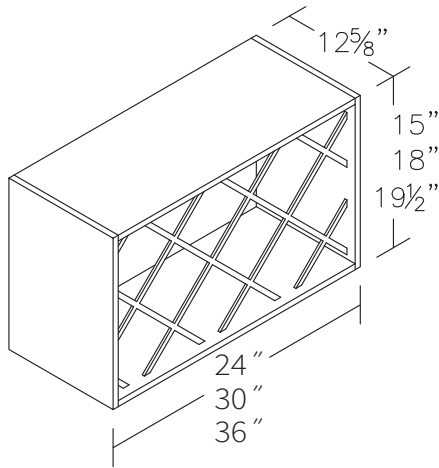
PRODUCT DETAILS

- 5 drawers friction fit (no slides), slab drawer fronts
- Drawer boxes are made of wood
- Matching sides, top, and bottom

WALL

Criss Cross Wine Racks

1 2 3 4 5 6 7 8



CCWR2415	873	873	873	873	873	873	873	960
CCWR3015	965	965	965	965	965	965	965	1062
CCWR3615	1062	1062	1062	1062	1062	1062	1062	1168
CCWR3018	965	965	965	965	965	965	965	1062
CCWR2419.5	933	933	933	933	933	933	933	1026
CCWR3019.5	1035	1035	1035	1035	1035	1035	1035	1138
CCWR1530	965	965	965	965	965	965	965	1062
CCWR1830	965	965	965	965	965	965	965	1062
CCWR2130	1015	1015	1015	1015	1015	1015	1015	1117
CCWR2430	1062	1062	1062	1062	1062	1062	1062	1168
CCWR1536	1062	1062	1062	1062	1062	1062	1062	1168

UNIT	# of bottles
CCWR2415	8
CCWR3015	10
CCWR3615	14
CCWR3018	10
CCWR2419.5	8
CCWR3019.5	10
CCWR1530	10
CCWR1830	10
CCWR2130	18
CCWR2430	18
CCWR1536	14

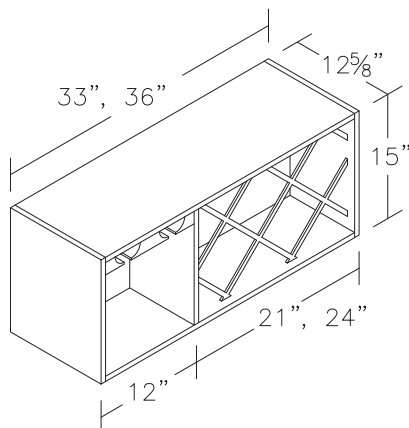
PRODUCT DETAILS

- Criss cross material is solid wood
- Lattice is not removable
- Comes with matching Veneer interior/exterior

DESIGN CONSIDERATIONS

- Only available in Oak, Maple, Cherry, Alder and Rift Oak

Wall Wine Combination



WWC3315	965	965	965	965	965	965	965	1062
WWC3615	1035	1035	1035	1035	1035	1035	1035	1138

PRODUCT DETAILS

- Holds 2 rows of glasses and 8 bottles
- Criss cross material is solid wood
- Lattice is not removable
- Comes with matching Veneer interior/exterior

DESIGN CONSIDERATIONS

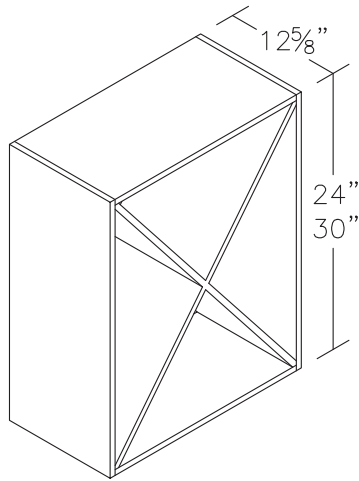
- Only available in Oak, Maple, Cherry, Alder and Rift Oak

WALL

wall cabinets

1 2 3 4 5 6 7 8

X Wine Rack



WXWR1824	1094	1094	1094	1094	1094	1094	1094	1203
WXWR2424	1133	1133	1133	1133	1133	1133	1133	1246
WXWR2430	1208	1208	1208	1208	1208	1208	1208	1329

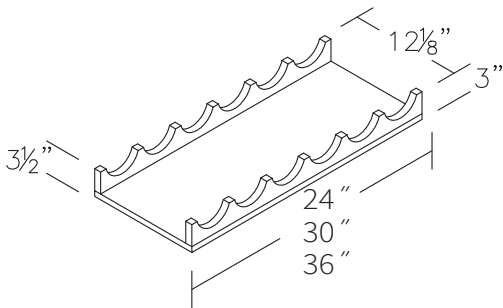
PRODUCT DETAILS

- Wood styles come with matching Veneer interior/exterior
- WXWR1824 holds approximately 24 3" diameter bottles of wine
- WXWR2424 holds approximately 40 3" diameter bottles of wine
- WXWR2430 holds approximately 54 3" diameter bottles of wine

DESIGN CONSIDERATIONS

- Not available in Thermofoil

Wine Shelf



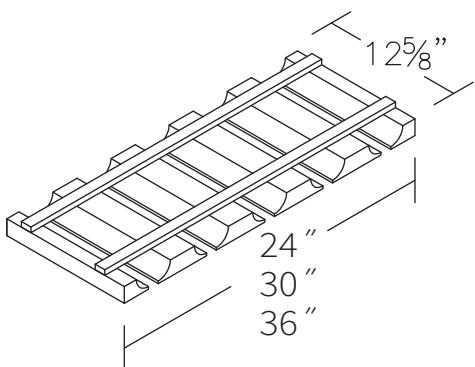
WS24	205	205	205	205	205	205	205	225
WS30	252	252	252	252	252	252	252	277
WS36	297	297	297	297	297	297	297	327

UNIT	Bottles
WS24	4
WS30	6
WS36	7

PRODUCT DETAILS

- Mounts inside open cabinet
- Not available in Thermofoil, Melamine, Acrylic, Echo Wood, or PureStyle™

Wine Glass Holder Set



WGHS24	205	205	205	205	205	205	205	225
WGHS30	239	239	239	239	239	239	239	263
WGHS36	275	275	275	275	275	275	275	302

UNIT	# of rows
WGH24	4
WGH30	5
WGH36	6

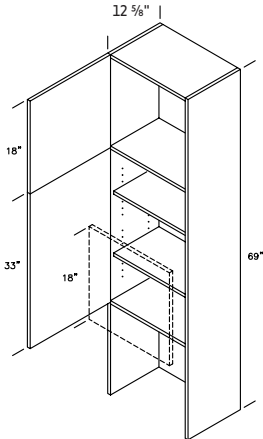
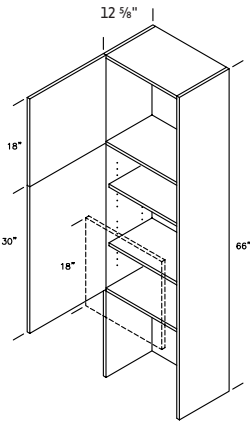
PRODUCT DETAILS

- Designed to fit under cabinet, not inside cabinet
- Not available in Thermofoil, Melamine, Acrylic, Echo Wood, or PureStyle™

WALL

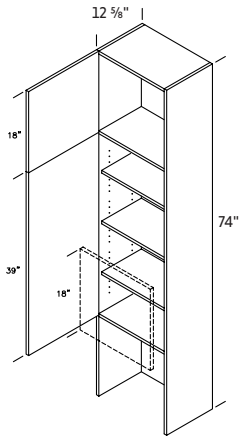
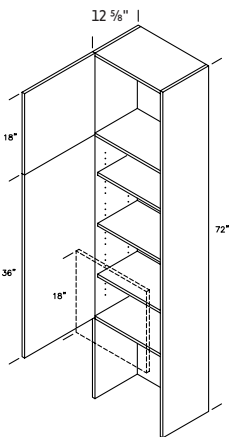
Stacked Wall with Appliance Garage Lift Door

STWAGL1866(L/R)	1527	1600	1648	1739	1799	1888	2039	2262
STWAGL2166(L/R)	1578	1655	1708	1806	1872	1969	2132	2373
STWAGL2466(L/R)	1602	1683	1737	1839	1906	2007	2175	2426
STWAGL1869(L/R)	1601	1681	1733	1834	1900	1998	2163	2410
STWAGL2169(L/R)	1657	1742	1800	1907	1980	2087	2266	2531
STWAGL2469(L/R)	1683	1772	1832	1944	2017	2129	2314	2589
STWAGL1872(L/R)	1682	1770	1828	1938	2011	2119	2301	2572
STWAGL2172(L/R)	1744	1837	1901	2019	2099	2217	2414	2705
STWAGL2472(L/R)	1773	1871	1936	2059	2140	2262	2466	2769
STWAGL1874(L/R)	1727	1819	1880	1995	2073	2185	2376	2661
STWAGL2174(L/R)	1791	1889	1957	2081	2164	2288	2495	2801
STWAGL2474(L/R)	1822	1925	1994	2122	2208	2336	2550	2868
STWAGL1876.5(L/R)	1772	1868	1932	2053	2134	2251	2452	2750
STWAGL2176.5(L/R)	1839	1942	2012	2142	2230	2359	2576	2896
STWAGL2476.5(L/R)	1871	1979	2051	2186	2275	2410	2634	2967



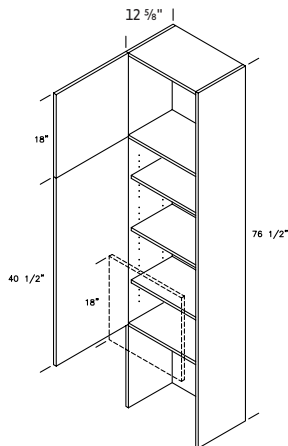
STWAGL1866(L/R) - STWAGL2466(L/R)

STWAGL1869(L/R) - STWAGL2469(L/R)



STWAGL1872(L/R) - STWAGL2472(L/R)

STWAGL1874(L/R) - STWAGL2474(L/R)

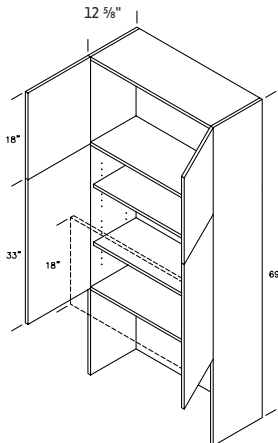
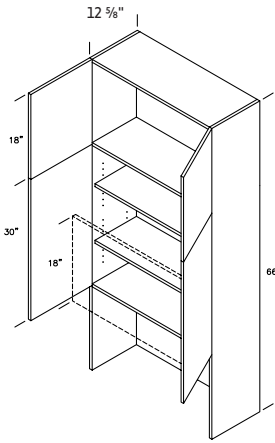


STWAGL1876.5(L/R) - STWAGL2476.5(L/R)

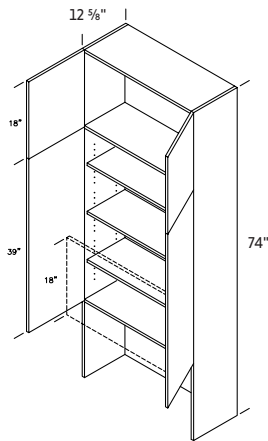
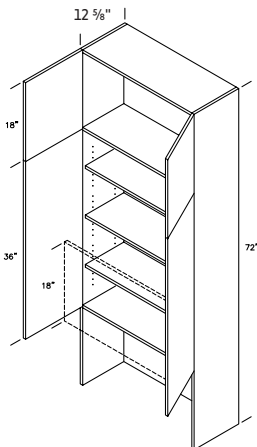
PRODUCT DETAILS

- 66" and 69" high cabinet will have 2 adjustable shelves in middle section. 72", 74" and 76 1/2" high units will have 3 adjustable shelves in middle section
- Wall lift up hinge system holds door up when opened in any position
- Sides may need to be notched to fit around countertop backsplash
- Mullions are not offered on Lift Up Doors

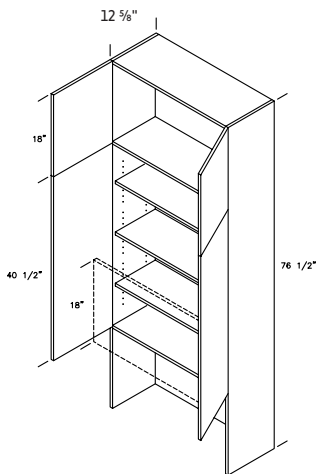
Stacked Wall with Appliance
Garage Lift Door Continued



STWAGL2466-2(L/R) - STWAGL3066(L/R) STWAGL2469-2(L/R) - STWAGL3069(L/R)



STWAGL2472-2(L/R) - STWAGL3072(L/R) STWAGL2474-2(L/R) - STWAGL3074(L/R)



STWAGL2476.5-2(L/R) - STWAGL3076.5(L/R)

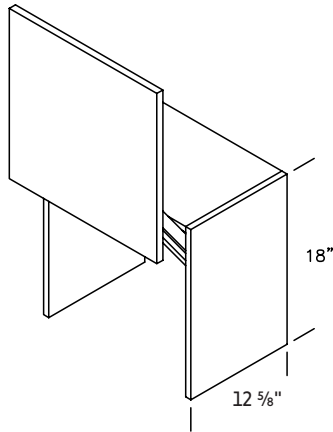
STWAGL2466-2	1817	1902	1959	2064	2134	2239	2416	2674
STWAGL2766	1848	1936	1994	2104	2178	2288	2470	2742
STWAGL3066	1851	1940	1999	2110	2183	2294	2478	2751
STWAGL2469-2	1915	2008	2071	2186	2263	2378	2573	2857
STWAGL2769	1948	2046	2110	2231	2311	2432	2633	2932
STWAGL3069	1952	2050	2115	2236	2317	2439	2641	2942
STWAGL2472-2	2022	2125	2194	2321	2405	2532	2746	3058
STWAGL2772	2059	2166	2236	2370	2458	2592	2812	3141
STWAGL3072	2063	2171	2243	2376	2464	2599	2821	3152
STWAGL2474-2	2081	2189	2261	2395	2483	2616	2841	3169
STWAGL2774	2120	2232	2306	2446	2539	2679	2910	3256
STWAGL3074	2125	2237	2313	2452	2546	2687	2920	3267
STWAGL2476.5-2	2140	2253	2329	2468	2561	2701	2937	3280
STWAGL2776.5	2181	2298	2376	2522	2620	2766	3009	3371
STWAGL3076.5	2186	2303	2383	2529	2627	2775	3019	3383

PRODUCT DETAILS

- 66" and 69" high cabinet will have 2 adjustable shelves in middle section. 72", 74" and 76 1/2" high units will have 3 adjustable shelves in middle section
- Wall lift up hinge system holds door up when opened in any position
- Sides may need to be notched to fit around countertop backsplash
- Mullions not offered on Lift Up Door

Appliance Garage Lift Door

AGL1818	1029	1064	1087	1131	1160	1204	1277	1384
AGL2118	1042	1078	1103	1149	1179	1225	1301	1413
AGL2418	1055	1093	1119	1165	1198	1246	1325	1441
AGL2718	1081	1122	1150	1201	1235	1286	1372	1499
AGL3018	1094	1136	1165	1218	1254	1307	1396	1528



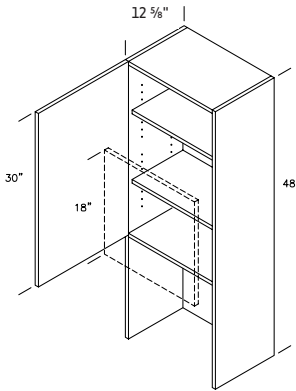
AGL1818 – AGL3018

PRODUCT DETAILS

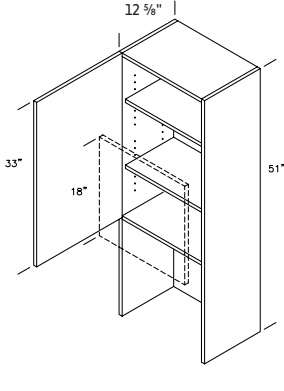
- Wall lift up hinge system holds door up when opened in any position
- Wall installation screws are not included in this cabinet
- Sides may need to be notched to fit around countertop backsplash

wall cabinets

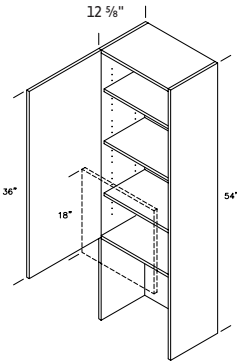
Wall With Appliance Garage Lift Door



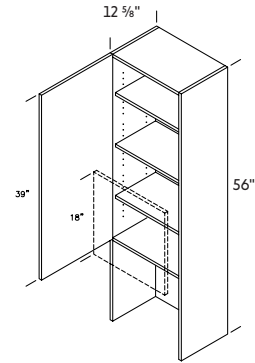
WAGL1848(L/R) - WAGL2448(L/R)



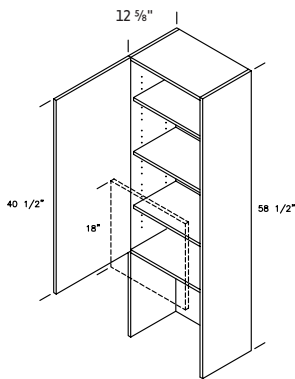
WAGL1851(L/R) - WAGL2451(L/R)



WAGL1854(L/R) - WAGL2454(L/R)



WAGL1856(L/R) - WAGL2456(L/R)



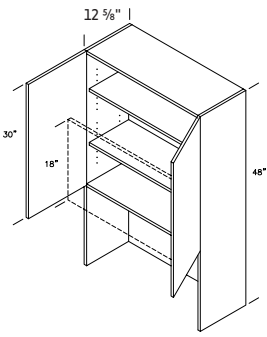
WAGL1858.5(L/R) - WAGL2458.5(L/R)

	1	2	3	4	5	6	7	8
WAGL1848(L/R)	1475	1548	1596	1687	1747	1836	1987	2210
WAGL2148(L/R)	1526	1603	1656	1754	1820	1917	2080	2321
WAGL2448(L/R)	1550	1631	1685	1787	1854	1955	2123	2374
WAGL1851(L/R)	1549	1629	1681	1782	1848	1946	2111	2358
WAGL2151(L/R)	1605	1690	1748	1855	1928	2035	2214	2479
WAGL2451(L/R)	1631	1720	1780	1892	1965	2077	2262	2537
WAGL1854(L/R)	1630	1718	1776	1886	1959	2067	2249	2520
WAGL2154(L/R)	1692	1785	1849	1967	2047	2165	2362	2653
WAGL2454(L/R)	1721	1819	1884	2007	2088	2210	2414	2717
WAGL1856(L/R)	1675	1767	1828	1943	2021	2133	2324	2609
WAGL2156(L/R)	1739	1837	1905	2029	2112	2236	2443	2749
WAGL2456(L/R)	1770	1873	1942	2070	2156	2284	2498	2816
WAGL1858.5(L/R)	1720	1816	1880	2001	2082	2199	2400	2698
WAGL2158.5(L/R)	1787	1890	1960	2090	2178	2307	2524	2844
WAGL2458.5(L/R)	1819	1927	1999	2134	2223	2358	2582	2915

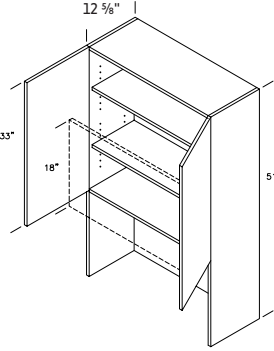
PRODUCT DETAILS

- Wall lift up hinge system holds door up when opened in any position
- On heights 48" to 51" the upper cabinet will have two adjustable shelves
- On heights 54" to 58.5" the upper cabinet will have three adjustable shelves

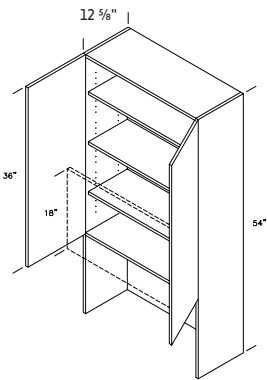
Wall With Appliance Garage
Lift Door Continued



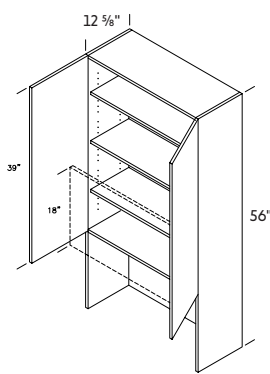
WAGL2448-2(L/R) - WAGL3048(L/R)



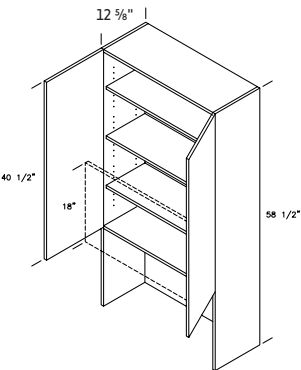
WAGL2451-2(L/R) - WAGL3051(L/R)



WAGL2454-2(L/R) - WAGL3054(L/R)



WAGL2456-2(L/R) - WAGL3056(L/R)



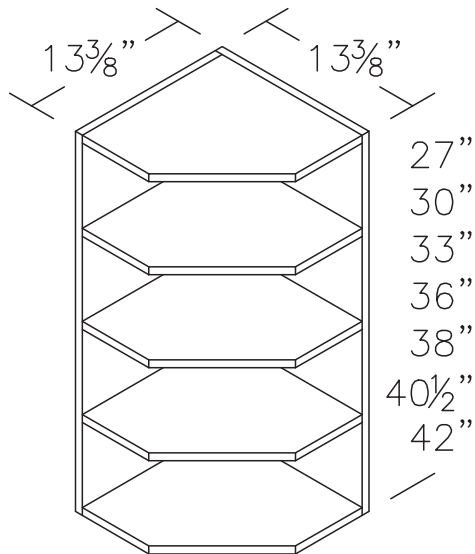
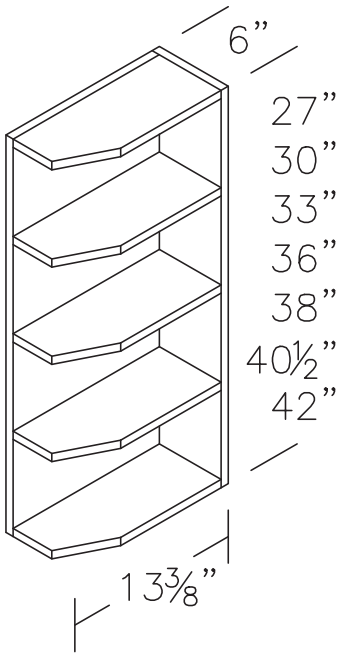
WAGL2458.5-2(L/R) - WAGL3058.5(L/R)

WAGL2448-2	1713	1798	1855	1960	2030	2135	2312	2570
WAGL2748	1744	1832	1890	2000	2074	2184	2366	2638
WAGL3048	1747	1836	1895	2006	2079	2190	2374	2647
WAGL2451-2	1811	1904	1967	2082	2159	2274	2469	2753
WAGL2751	1844	1942	2006	2127	2207	2328	2529	2828
WAGL3051	1848	1946	2011	2132	2213	2335	2537	2838
WAGL2454-2	1918	2021	2090	2217	2301	2428	2642	2954
WAGL2754	1955	2062	2132	2266	2354	2488	2708	3037
WAGL3054	1959	2067	2139	2272	2360	2495	2717	3048
WAGL2456-2	1977	2085	2157	2291	2379	2512	2737	3065
WAGL2756	2016	2128	2202	2342	2435	2575	2806	3152
WAGL3056	2021	2133	2209	2348	2442	2583	2816	3163
WAGL2458.5-2	2036	2149	2225	2364	2457	2597	2833	3176
WAGL2758.5	2077	2194	2272	2418	2516	2662	2905	3267
WAGL3058.5	2082	2199	2279	2425	2523	2671	2915	3279

PRODUCT DETAILS

- Wall lift up hinge system holds door up when opened in any position
- On heights 48" to 51" the upper cabinet will have two adjustable shelves
- On heights 54" to 58.5" the upper cabinet will have three adjustable shelves

Open Wall End Cabinet



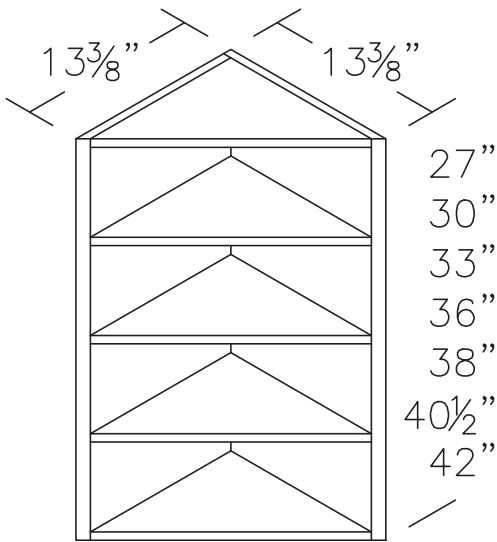
	1	2	3	4	5	6	7	8
OWE627	411	411	411	411	411	411	411	452
OWE630	422	422	422	422	422	422	422	464
OWE633	433	433	433	433	433	433	433	476
OWE636	443	443	443	443	443	443	443	487
OWE638	454	454	454	454	454	454	454	500
OWE640.5	465	465	465	465	465	465	465	511
OWE642	475	475	475	475	475	475	475	475
MOWE627	227	227	227	227	227	227	227	249
MOWE630	238	238	238	238	238	238	238	262
MOWE633	249	249	249	249	249	249	249	273
MOWE636	260	260	260	260	260	260	260	286
MOWE638	270	270	270	270	270	270	270	297
MOWE640.5	281	281	281	281	281	281	281	309
MOWE642	291	291	291	291	291	291	291	291
OWE1327	541	541	541	541	541	541	541	595
OWE1330	551	551	551	551	551	551	551	606
OWE1333	563	563	563	563	563	563	563	619
OWE1336	573	573	573	573	573	573	573	630
OWE1338	584	584	584	584	584	584	584	643
OWE1340.5	595	595	595	595	595	595	595	654
OWE1342	605	605	605	605	605	605	605	605
MOWE1327	303	303	303	303	303	303	303	333
MOWE1330	314	314	314	314	314	314	314	345
MOWE1333	324	324	324	324	324	324	324	357
MOWE1336	335	335	335	335	335	335	335	368
MOWE338	346	346	346	346	346	346	346	381
MOWE1340.5	357	357	357	357	357	357	357	392
MOWE1342	358	358	358	358	358	358	358	358

PRODUCT DETAILS

- OWE=Veneer
- MOWE=Melamine
- 27" and 30" units come with 1 less fixed shelf
- Units come with a finished interior and finished ends
- Custom depth units should be submitted on a custom pricing request form

WALL

Open Wall End Cabinet/Wall Triangle
Open Shelf continued

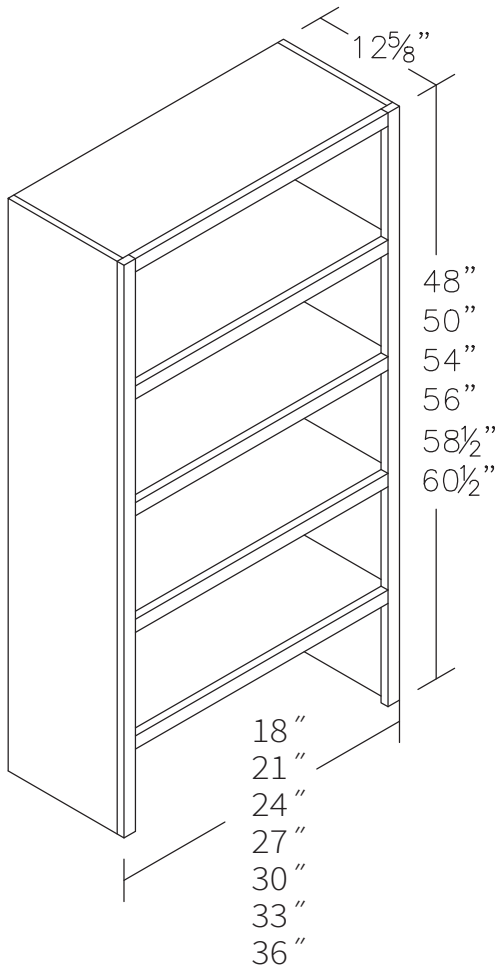


WTOS(L/R)1327	541	541	541	541	541	541	541	595
WTOS(L/R)1330	563	563	563	563	563	563	563	619
WTOS(L/R)1333	584	584	584	584	584	584	584	643
WTOS(L/R)1336	605	605	605	605	605	605	605	666
WTOS(L/R)1338	627	627	627	627	627	627	627	690
WTOS(L/R)1340.5	649	649	649	649	649	649	649	714
WTOS(L/R)1342	671	671	671	671	671	671	671	671
MWTOS(L/R)1327	303	303	303	303	303	303	303	333
MWTOS(L/R)1330	324	324	324	324	324	324	324	357
MWTOS(L/R)1333	346	346	346	346	346	346	346	381
MWTOS(L/R)1336	368	368	368	368	368	368	368	405
MWTOS(L/R)1338	389	389	389	389	389	389	389	428
MWTOS(L/R)1340.5	411	411	411	411	411	411	411	452
MWTOS(L/R)1342	433	433	433	433	433	433	433	433

PRODUCT DETAILS

- WTOS=Veneer
- MWTOS=Melamine
- L=left end of run
- R=right end of run
- 27" and 30" units come with 1 less fixed shelf
- Units come with a finished interior and finished ends
- Custom depth units should be submitted on a custom pricing request form

Wall Furniture Bookcase with Frame



WFBF1848	1160	1160	1160	1160	1160	1160	1160	1276
WFBF2148	1184	1184	1184	1184	1184	1184	1184	1302
WFBF2448	1205	1205	1205	1205	1205	1205	1205	1326
WFBF2748	1225	1225	1225	1225	1225	1225	1225	1348
WFBF3048	1251	1251	1251	1251	1251	1251	1251	1376
WFBF3348	1295	1295	1295	1295	1295	1295	1295	1424
WFBF3648	1341	1341	1341	1341	1341	1341	1341	1475
WFBF1850	1160	1160	1160	1160	1160	1160	1160	1276
WFBF2150	1184	1184	1184	1184	1184	1184	1184	1302
WFBF2450	1205	1205	1205	1205	1205	1205	1205	1326
WFBF2750	1225	1225	1225	1225	1225	1225	1225	1348
WFBF3050	1251	1251	1251	1251	1251	1251	1251	1376
WFBF3350	1295	1295	1295	1295	1295	1295	1295	1424
WFBF3650	1341	1341	1341	1341	1341	1341	1341	1475
WFBF1854	1200	1200	1200	1200	1200	1200	1200	1320
WFBF2154	1220	1220	1220	1220	1220	1220	1220	1342
WFBF2454	1243	1243	1243	1243	1243	1243	1243	1367
WFBF2754	1268	1268	1268	1268	1268	1268	1268	1395
WFBF3054	1291	1291	1291	1291	1291	1291	1291	1420
WFBF3354	1337	1337	1337	1337	1337	1337	1337	1471
WFBF3654	1384	1384	1384	1384	1384	1384	1384	1523
WFBF1856	1200	1200	1200	1200	1200	1200	1200	1320
WFBF2156	1220	1220	1220	1220	1220	1220	1220	1342
WFBF2456	1243	1243	1243	1243	1243	1243	1243	1367
WFBF2756	1268	1268	1268	1268	1268	1268	1268	1395
WFBF3056	1291	1291	1291	1291	1291	1291	1291	1420
WFBF3356	1337	1337	1337	1337	1337	1337	1337	1471
WFBF3656	1384	1384	1384	1384	1384	1384	1384	1523

WALL

Wall Furniture Bookcase with
Frame continued

WFBF1858.5	1200	1200	1200	1200	1200	1200	1200	1320
WFBF2158.5	1220	1220	1220	1220	1220	1220	1220	1342
WFBF2458.5	1243	1243	1243	1243	1243	1243	1243	1367
WFBF2758.5	1268	1268	1268	1268	1268	1268	1268	1395
WFBF3058.5	1291	1291	1291	1291	1291	1291	1291	1420
WFBF3358.5	1337	1337	1337	1337	1337	1337	1337	1471
WFBF3658.5	1384	1384	1384	1384	1384	1384	1384	1523
WFBF1860.5	1200	1200	1200	1200	1200	1200	1200	1320
WFBF2160.5	1220	1220	1220	1220	1220	1220	1220	1342
WFBF2460.5	1243	1243	1243	1243	1243	1243	1243	1367
WFBF2760.5	1268	1268	1268	1268	1268	1268	1268	1395
WFBF3060.5	1291	1291	1291	1291	1291	1291	1291	1420
WFBF3360.5	1337	1337	1337	1337	1337	1337	1337	1471
WFBF3660.5	1384	1384	1384	1384	1384	1384	1384	1523

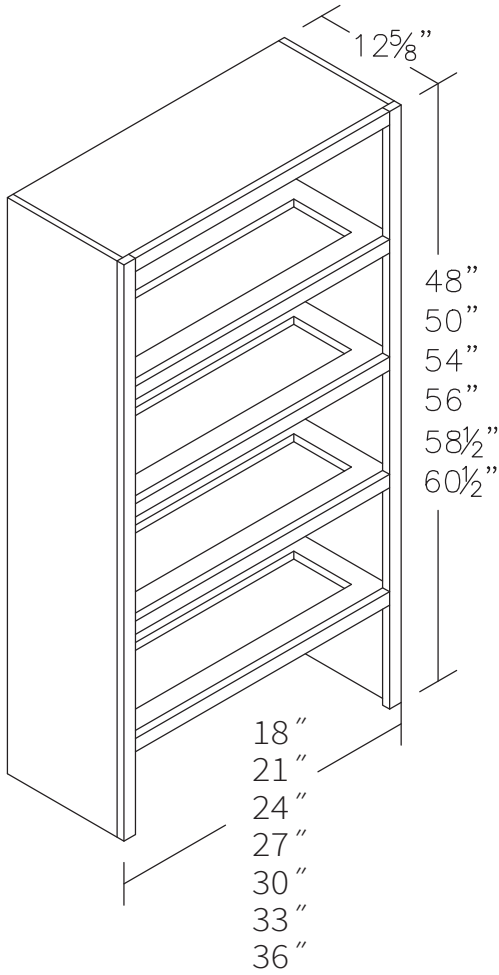
PRODUCT DETAILS

- No doors
- 1 ¼" x ¾" wood frame
- Fixed shelf at 12" mark
- 3 adjustable shelves
- Adjustable shelves come with wood edge moulding
- Wood styles come with matching wood Veneer interior/exterior

DESIGN CONSIDERATIONS

- Only available in wood and HDF; not available in Thermofoil, Melamine, PureStyle™, Acrylic, or Echo Wood

Wall Furniture Bookcase (with frame) No Insert Shelves



	1	2	3	4	5	6	7	8
WFBFNIS1848	1700	1700	1700	1700	1700	1700	1700	1870
WFBFNIS2148	1724	1724	1724	1724	1724	1724	1724	1897
WFBFNIS2448	1746	1746	1746	1746	1746	1746	1746	1921
WFBFNIS2748	1766	1766	1766	1766	1766	1766	1766	1943
WFBFNIS3048	1792	1792	1792	1792	1792	1792	1792	1971
WFBFNIS3348	1836	1836	1836	1836	1836	1836	1836	2019
WFBFNIS3648	1881	1881	1881	1881	1881	1881	1881	2069
WFBFNIS1850	1700	1700	1700	1700	1700	1700	1700	1870
WFBFNIS2150	1724	1724	1724	1724	1724	1724	1724	1897
WFBFNIS2450	1746	1746	1746	1746	1746	1746	1746	1921
WFBFNIS2750	1766	1766	1766	1766	1766	1766	1766	1943
WFBFNIS3050	1792	1792	1792	1792	1792	1792	1792	1971
WFBFNIS3350	1836	1836	1836	1836	1836	1836	1836	2019
WFBFNIS3650	1881	1881	1881	1881	1881	1881	1881	2069
WFBFNIS1854	1741	1741	1741	1741	1741	1741	1741	1915
WFBFNIS2154	1761	1761	1761	1761	1761	1761	1761	1937
WFBFNIS2454	1784	1784	1784	1784	1784	1784	1784	1962
WFBFNIS2754	1809	1809	1809	1809	1809	1809	1809	1989
WFBFNIS3054	1831	1831	1831	1831	1831	1831	1831	2015
WFBFNIS3354	1878	1878	1878	1878	1878	1878	1878	2066
WFBFNIS3654	1925	1925	1925	1925	1925	1925	1925	2118
WFBFNIS1856	1741	1741	1741	1741	1741	1741	1741	1915
WFBFNIS2156	1761	1761	1761	1761	1761	1761	1761	1937
WFBFNIS2456	1784	1784	1784	1784	1784	1784	1784	1962
WFBFNIS2756	1809	1809	1809	1809	1809	1809	1809	1989
WFBFNIS3056	1831	1831	1831	1831	1831	1831	1831	2015
WFBFNIS3356	1878	1878	1878	1878	1878	1878	1878	2066
WFBFNIS3656	1925	1925	1925	1925	1925	1925	1925	2118
WFBFNIS1858.5	1741	1741	1741	1741	1741	1741	1741	1915
WFBFNIS2158.5	1761	1761	1761	1761	1761	1761	1761	1937
WFBFNIS2458.5	1784	1784	1784	1784	1784	1784	1784	1962
WFBFNIS2758.5	1809	1809	1809	1809	1809	1809	1809	1989
WFBFNIS3058.5	1831	1831	1831	1831	1831	1831	1831	2015
WFBFNIS3358.5	1878	1878	1878	1878	1878	1878	1878	2066
WFBFNIS3658.5	1925	1925	1925	1925	1925	1925	1925	2118

Wall Furniture Bookcase (with frame) No Insert Shelves

WFBFNIS1860.5	1741	1741	1741	1741	1741	1741	1741	1915
WFBFNIS2160.5	1761	1761	1761	1761	1761	1761	1761	1937
WFBFNIS2460.5	1784	1784	1784	1784	1784	1784	1784	1962
WFBFNIS2760.5	1809	1809	1809	1809	1809	1809	1809	1989
WFBFNIS3060.5	1831	1831	1831	1831	1831	1831	1831	2015
WFBFNIS3360.5	1878	1878	1878	1878	1878	1878	1878	2066
WFBFNIS3660.5	1925	1925	1925	1925	1925	1925	1925	2118

PRODUCT DETAILS

- No doors
- 1 ¼" x ¾" wood frame
- Fixed shelf at 12" mark
- Adjustable shelves come with wood edge moulding and are ready to receive glass
- Wood styles come with matching wood Veneer interior/exterior

DESIGN CONSIDERATIONS

- Only available in wood and HDF; not available in Thermofoil, Melamine, PureStyle™, Acrylic, or Echo Wood

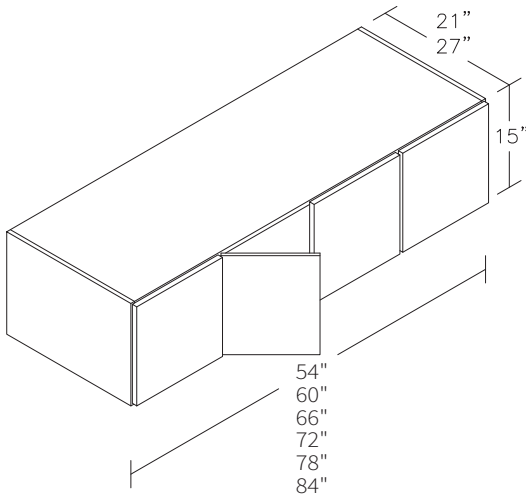
Range Hoods

Refer to pages D.10-D.39 for specific door style information.

15" High Wall Range Hood - 4 Doors	H.2
15" High Wall Range Hood - 6 Doors	H.2
18" High Wall Range Hood - 2 Doors	H.2
18" High Wall Range Hood - 4 Doors	H.3
21" High Wall Range Hood - 4 Doors	H.3
24" High Wall Range Hood - 2 Doors	H.4
24" High Wall Range Hood - 4 Doors	H.4
27" High Wall Range Hood - 4 Doors	H.5
27" High Wall Range Hood - 6 Doors	H.5
30" High Wall Range Hood - 2 Doors	H.6
30" High Wall Range Hood - 4 Doors	H.6
Wall Pantry Pullout - 2 Doors.....	H.7
Wall Pantry Pullout - 1 Door Corbel Plate.....	H.7
Wall Pantry Pullout - 2 Doors Split	H.8
Hood Fluted Column - 3"	H.8
Hood Fluted Column - 6"	H.9
Hearth Pediment	H.9
Classic Valance - 5 Piece	H.10
Classic Valance - 7 Piece	H.10
Hood Arch Valance	H.10
Wood Hood Square	H.11
Wood Hood Euro	H.11
Wood Hood Chimney	H.12
Wood Hood Tapered	H.12
Wood Hood Shiplap	H.12
Wood Hood Chimney Shiplap	H.13
Wood Hood Artisan	H.13
Wood Hood Contemporary	H.13
Wood Hood Canopy Square.....	H.14
Wood Hood Blower, 400 CFM	H.14
Wood Hood Blower, 500 CFM	H.14
Blower 1100	H.15
Range Hood Stainless Taper	H.15
Range Hood Stainless Square.....	H.16
Stainless Hood Air Deviator, Tapered & Square	H. 16
Carbon Filter	H. 16
Stanisci Hoods	H.18
Stanisci Notes	H.19
Chimney Hood with Standard Base with Components.....	H.20
Chimney Hood with Standard Base without Components.....	H.20
Chimney Hood with Arch Base with Components	H.20
Chimney Hood with Arch Base without Components	H.20
Mantle Style Range Hood with Arch Valance with Components.....	H.21
Mantle Style Range Hood with Arch Valance without Components.....	H.21
Mantle Style Range Hood with Straight Valance with Components.....	H.22
Mantle Style Range Hood with Straight Valance without Components...	H.22

hoods

15" High Wall Range Hood - 4 Doors

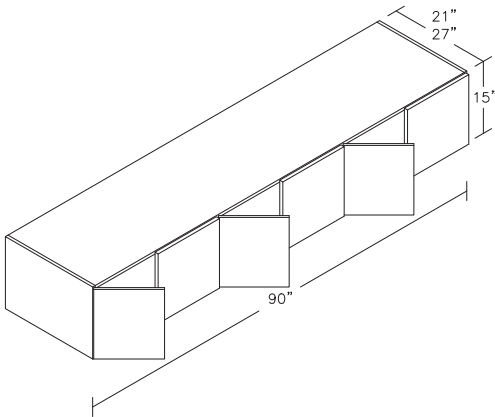


	1	2	3	4	5	6	7	8
WRH541521	910	1019	1092	1229	1320	1456	1684	2020
WRH601521	1018	1140	1222	1375	1476	1629	1884	2260
WRH661521	1130	1266	1357	1526	1639	1809	2091	2510
WRH721521	1246	1395	1496	1682	1808	1993	2305	2766
WRH781521	1356	1519	1627	1831	1966	2170	2510	3011
WRH841521	1466	1642	1760	1980	2126	2346	2713	3255
WRH541527	1011	1132	1213	1366	1466	1617	1870	2244
WRH601527	1130	1266	1357	1526	1639	1809	2091	2510
WRH661527	1256	1407	1508	1696	1822	2010	2324	2789
WRH721527	1383	1549	1660	1867	2006	2213	2559	3071
WRH781527	1509	1690	1811	2037	2188	2414	2792	3350
WRH841527	1629	1824	1954	2199	2362	2606	3013	3616

PRODUCT DETAILS

- 4 doors, no shelf
- Doors are equal width
- Includes dividers

15" High Wall Range Hood - 6 Doors

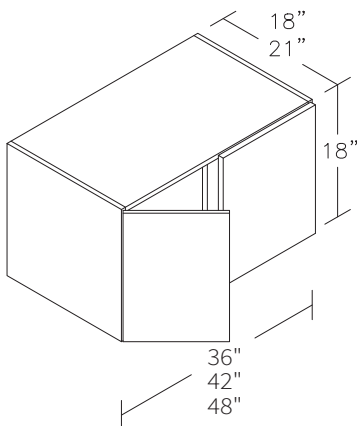


WRH901521	1567	1756	1881	2116	2273	2508	2900	3479
WRH901527	1743	1952	2092	2354	2527	2789	3225	3870

PRODUCT DETAILS

- 6 doors, no shelf
- Doors are equal width
- Includes dividers

18" High Wall Range Hood - 2 Doors



WRH361818	896	1004	1076	1210	1300	1434	1658	1990
WRH421818	985	1103	1182	1330	1428	1576	1822	2186
WRH481818-2	1071	1200	1285	1446	1553	1714	1982	2378
WRH361821	996	1116	1196	1345	1445	1594	1843	2212
WRH421821	1094	1225	1314	1477	1586	1751	2024	2429
WRH481821-2	1188	1330	1425	1603	1722	1900	2198	2637

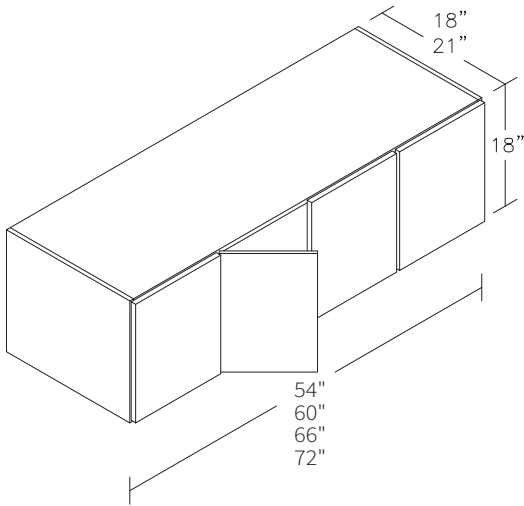
PRODUCT DETAILS

- 2 doors, no shelf
- Doors are equal width
- Comes with center stile
- WRH481818-2 and WRH481821-2 each have two doors. These two specific units are also available with three doors. To order, use code WRH481818-3 or WRH481821-3

hoods

	1	2	3	4	5	6	7	8
--	---	---	---	---	---	---	---	---

18" High Wall Range Hood - 4 Doors

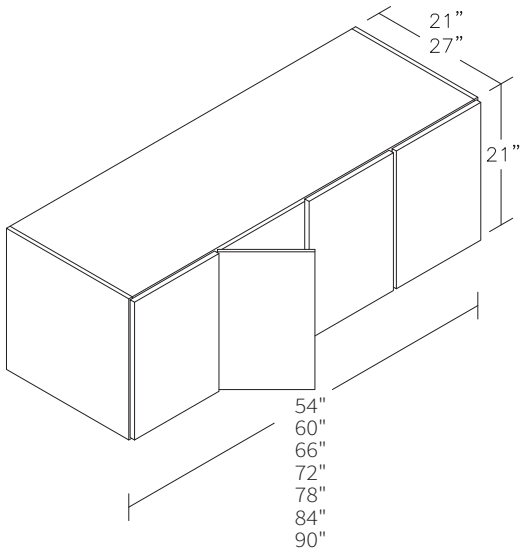


WRH541818	1152	1291	1383	1556	1671	1844	2132	2558
WRH601818	1255	1406	1506	1695	1820	2008	2322	2787
WRH661818	1355	1518	1626	1829	1965	2168	2507	3008
WRH721818	1450	1624	1740	1957	2102	2320	2682	3218
WRH541821	1279	1433	1535	1727	1855	2047	2367	2840
WRH601821	1396	1563	1675	1884	2024	2233	2582	3098
WRH661821	1505	1685	1806	2032	2182	2408	2784	3342
WRH721821	1612	1805	1934	2176	2337	2579	2982	3579

PRODUCT DETAILS

- 4 doors, no shelf
- Doors are equal width
- Includes dividers

21" High Wall Range Hood - 4 Doors



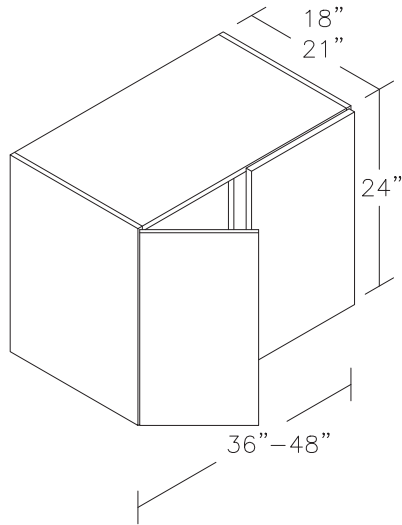
WRH542121	1011	1132	1213	1366	1466	1617	1870	2244
WRH602121	1130	1266	1357	1526	1639	1809	2091	2510
WRH662121	1256	1407	1508	1696	1822	2010	2324	2789
WRH722121	1383	1549	1660	1867	2006	2213	2559	3071
WRH782121	1509	1690	1811	2037	2188	2414	2792	3350
WRH842121	1629	1824	1954	2199	2362	2606	3013	3616
WRH902121	1743	1952	2092	2354	2527	2789	3225	3870
WRH542127	1123	1258	1348	1516	1629	1797	2078	2494
WRH602127	1256	1407	1508	1696	1822	2010	2324	2789
WRH662127	1397	1564	1676	1886	2025	2235	2584	3101
WRH722127	1536	1720	1843	2074	2227	2458	2842	3410
WRH782127	1674	1875	2009	2260	2428	2679	3098	3717
WRH842127	1810	2027	2172	2443	2624	2895	3348	4018
WRH902127	1935	2168	2323	2614	2806	3097	3581	4297

PRODUCT DETAILS

- 4 doors, no shelf
- Doors are equal width
- Includes dividers

hoods

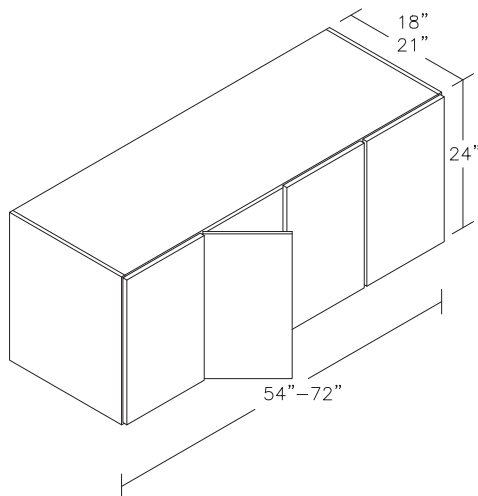
1 2 3 4 5 6 7 8

24" High Wall Range Hood -
2 Doors

WRH362418	986	1104	1184	1331	1430	1577	1824	2189
WRH422418	1086	1216	1303	1466	1574	1737	2009	2410
WRH482418-2	1178	1320	1414	1591	1709	1886	2180	2616
WRH362421	1096	1228	1315	1480	1589	1754	2028	2433
WRH422421	1205	1350	1446	1627	1748	1929	2230	2676
WRH482421-2	1309	1466	1571	1768	1899	2095	2422	2907

PRODUCT DETAILS

- 2 doors, no shelf
- Doors are equal width
- Comes with center stile

24" High Wall Range Hood -
4 Doors

WRH542418	1380	1546	1656	1863	2001	2208	2553	3064
WRH602418	1491	1670	1790	2013	2162	2386	2759	3311
WRH662418	1546	1732	1856	2088	2242	2474	2861	3433
WRH722418	1596	1788	1916	2155	2315	2554	2953	3544
WRH542421	1408	1577	1690	1901	2042	2253	2605	3126
WRH602421	1534	1718	1841	2071	2224	2454	2838	3405
WRH662421	1656	1854	1987	2235	2401	2649	3063	3676
WRH722421	1774	1987	2129	2395	2573	2839	3282	3940

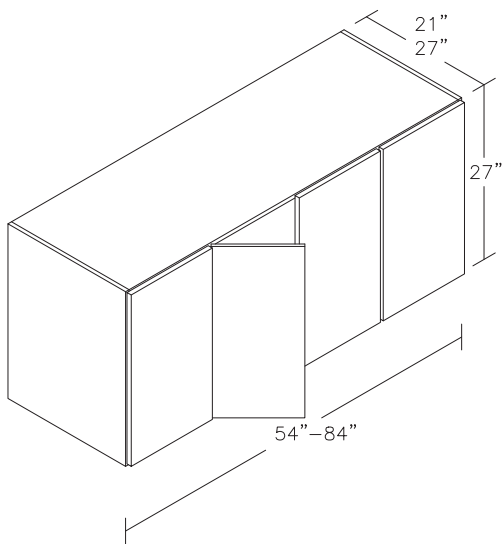
PRODUCT DETAILS

- 4 doors, no shelf
- Doors are equal width
- Includes dividers

hoods

	1	2	3	4	5	6	7	8
--	---	---	---	---	---	---	---	---

27" High Wall Range Hood - 4 Doors

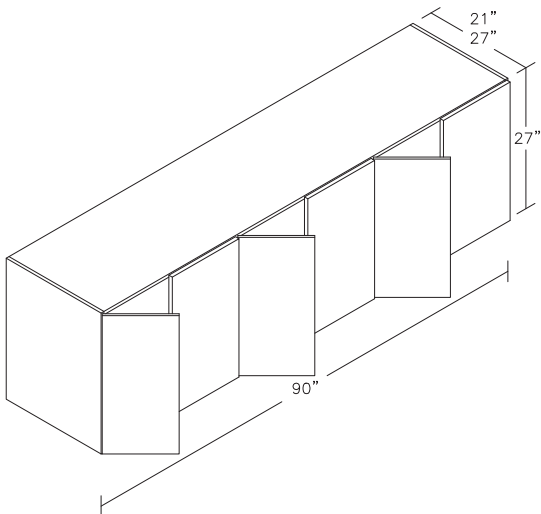


WRH542721	1111	1244	1333	1499	1611	1777	2055	2466
WRH602721	1246	1395	1496	1682	1808	1993	2305	2766
WRH662721	1383	1549	1660	1867	2006	2213	2559	3071
WRH722721	1522	1704	1826	2054	2206	2434	2815	3378
WRH782721	1658	1857	1990	2238	2404	2652	3067	3680
WRH842721	1791	2006	2149	2418	2597	2865	3313	3976
WRH542727	1233	1381	1480	1665	1788	1974	2282	2738
WRH602727	1383	1549	1660	1867	2006	2213	2559	3071
WRH662727	1536	1720	1843	2074	2227	2458	2842	3410
WRH722727	1691	1894	2029	2283	2452	2706	3128	3754
WRH782727	1842	2063	2210	2486	2671	2947	3407	4089
WRH842727	1990	2228	2387	2686	2885	3183	3681	4417

PRODUCT DETAILS

- 4 doors, no shelf
- Doors are equal width
- Includes dividers

27" High Wall Range Hood - 6 Doors



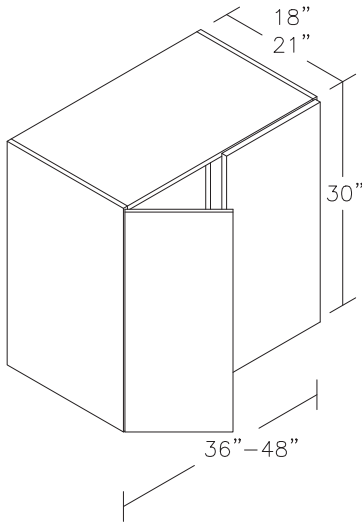
WRH902721	1916	2146	2391	2689	2889	3188	3686	4423
WRH902727	2128	2383	2553	2874	3085	3405	3937	4724

PRODUCT DETAILS

- 6 doors, no shelf
- Doors are equal width
- Includes dividers

hoods

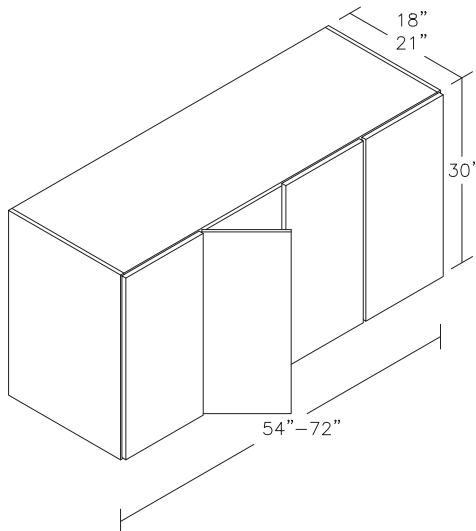
1 2 3 4 5 6 7 8

30" High Wall Range Hood -
2 Doors

WRH363018	1075	1204	1357	1452	1559	1721	1990	2387
WRH423018	1184	1326	1420	1598	1716	1894	2190	2627
WRH483018-2	1285	1440	1543	1735	1864	2057	2378	2854
WRH363021	1197	1341	1436	1616	1736	1915	2215	2657
WRH423021	1315	1472	1577	1775	1906	2103	2432	2918
WRH483021-2	1429	1600	1715	1929	2072	2286	2644	3172

PRODUCT DETAILS

- 2 doors, no shelf
- Doors are equal width
- Comes with center stile

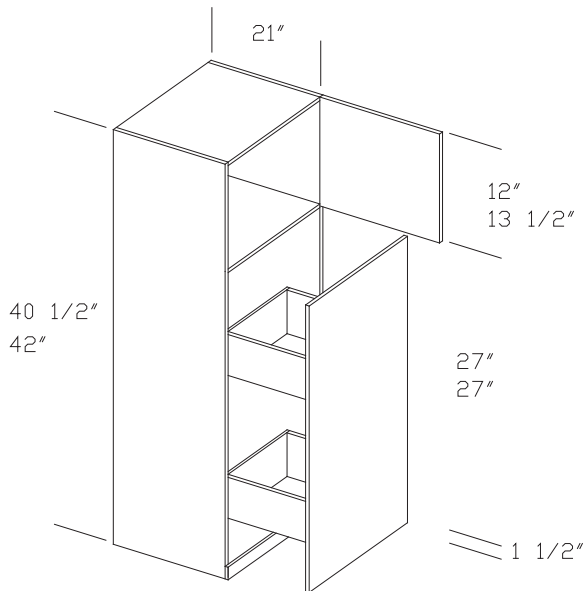
30" High Wall Range Hood -
4 Doors

WRH543018	1383	1549	1660	1867	2006	2213	2559	3071
WRH603018	1505	1685	1806	2032	2182	2408	2784	3342
WRH663018	1627	1822	1952	2196	2359	2602	3009	3611
WRH723018	1741	1950	2089	2350	2524	2786	3221	3865
WRH543021	1536	1720	1843	2074	2227	2458	2842	3410
WRH603021	1673	1874	2008	2259	2426	2677	3096	3715
WRH663021	1808	2024	2169	2440	2621	2892	3344	4013
WRH723021	1934	2167	2321	2611	2805	3095	3579	4294

PRODUCT DETAILS

- 4 doors, no shelf
- Doors are equal width
- Includes dividers

Wall Pantry Pullout - 2 Doors



WCP940.521PP(L/R)	1408	1577	1690	1901	2042	2253	2605	3126
WCP1240.521PP(L/R)	1759	1970	2110	2374	2550	2814	3253	3904
WCP94221PP(L/R)	1408	1577	1690	1901	2042	2253	2605	3126
WCP124221PP(L/R)	1759	1970	2110	2374	2550	2814	3253	3904

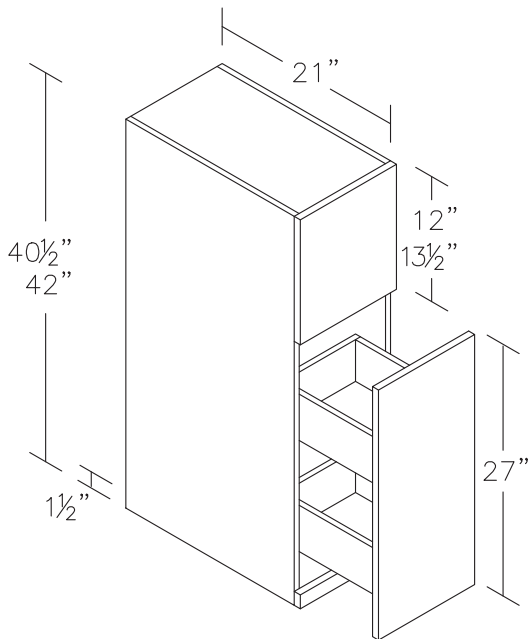
PRODUCT DETAILS

- 2 doors, 1 filler, no shelf
- Hinging designation is for top door
- Pantry pullout is constructed with 2 wood drawer boxes

DESIGN CONSIDERATIONS

- Filler at bottom matches door profile
- Doors are square when arch styles are ordered
- No modifications

Wall Pantry Pullout - 1 Door, Corbel Plate



W940.521PP	1408	1577	1690	1901	2042	2253	2605	3126
W1240.521PP	1759	1970	2110	2374	2550	2814	3253	3904
W94221PP	1408	1577	1690	1901	2042	2253	2605	3126
W124221PP	1759	1970	2110	2374	2550	2814	3253	3904

PRODUCT DETAILS

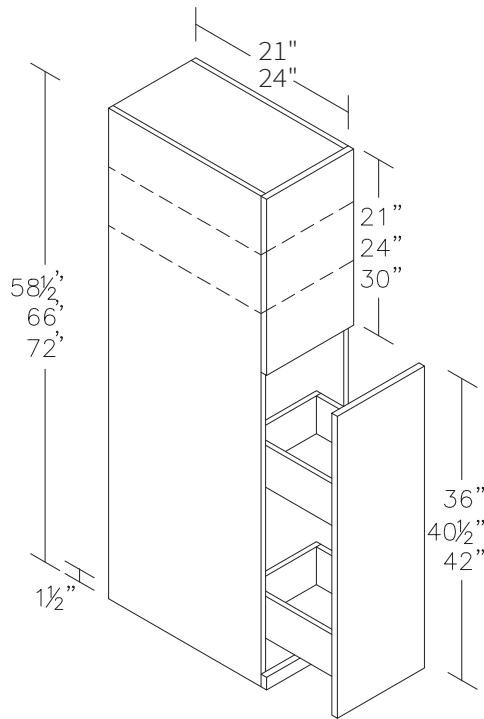
- 1 door, 1 corbel plate, no shelf (a corbel plate is a plain panel that artwork can be adhered to for decorative purposes)
- Pantry pullout is constructed with 2 wood drawer boxes

DESIGN CONSIDERATIONS

- Filler at bottom matches door profile
- Doors are square when arch styles are ordered
- No modifications

(L/R) specify L (hinge left) or R (hinge right) to cabinet code

Wall Pantry Pullout - 2 Doors Split



W958.521PP(L/R)	1408	1577	1690	1901	2042	2253	2605	3126
W1258.521PP(L/R)	1759	1970	2110	2374	2550	2814	3253	3904
W96621PP(L/R)	1548	1734	1857	2089	2244	2476	2863	3436
W126621PP(L/R)	1935	2167	2322	2612	2806	3097	3581	4297
W97221PP(L/R)	1704	1908	2045	2299	2470	2726	3151	3781
W127221PP(L/R)	2128	2384	2553	2872	3086	3405	3936	4724
W958.524PP(L/R)	1408	1577	1690	1901	2042	2253	2605	3126
W1258.524PP(L/R)	1759	1970	2110	2374	2550	2814	3253	3904
W96624PP(L/R)	1548	1734	1857	2089	2244	2476	2863	3436
W126624PP(L/R)	1935	2167	2322	2612	2806	3097	3581	4297
W97224PP(L/R)	1704	1908	2045	2299	2470	2726	3151	3781
W127224PP(L/R)	2128	2384	2553	2872	3086	3405	3936	4724

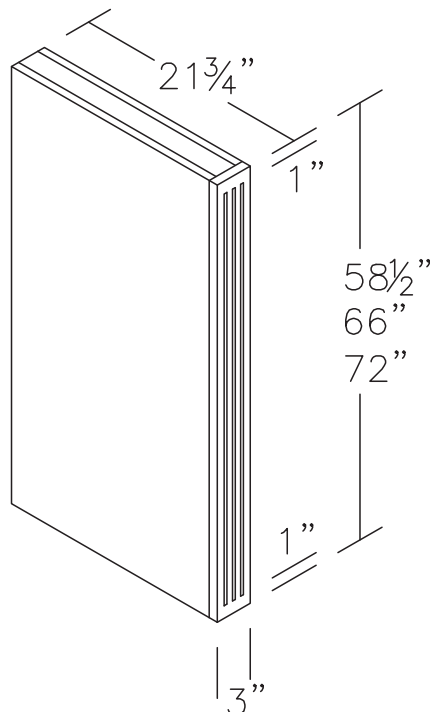
PRODUCT DETAILS

- 2 doors, 1 filler, 2 adjustable shelves
- Hinging designation is for top door
- Pantry pullout is constructed with wood drawer boxes

DESIGN CONSIDERATIONS

- Filler at bottom matches door profile
- Doors are square when arch styles are ordered
- No modifications

Hood Fluted Column - 3"



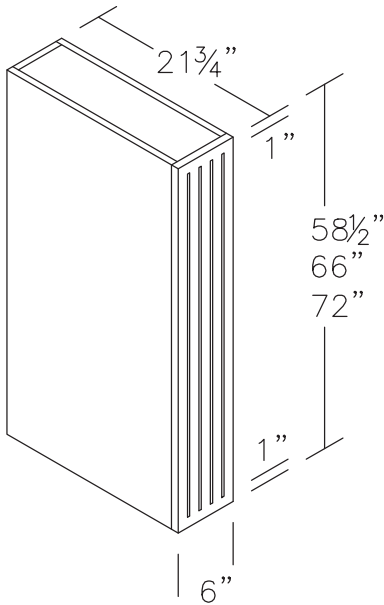
	Pricing	Walnut Only
HFCL358.521.75	664	729
HFCL36621.75	732	805
HFCL37221.75	806	887

PRODUCT DETAILS

- Finished on front, top, bottom and both sides with same material as specified on order
- Front is 3/4" solid wood with edges profiled to match door style
- Only available in solid wood or HDF
- Not available in Acrylic, Melamine, PureStyle™, or Thermofoil
- No modifications

(L/R) specify L (hinge left) or R (hinge right) to cabinet code

Hood Fluted Column - 6"

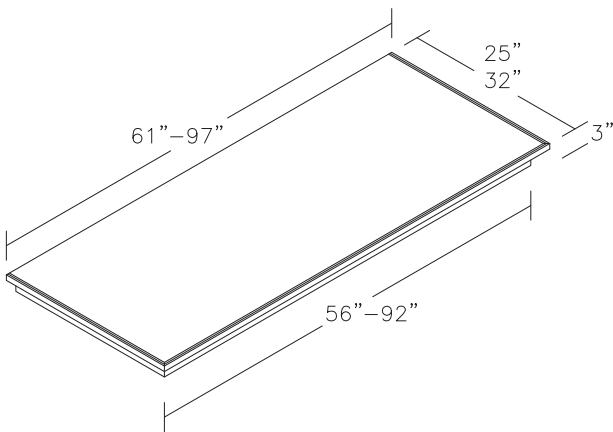


	Pricing	Walnut Only
HFCL658.521.75	1165	1281
HFCL66621.75	1283	1411
HFCL67221.75	1409	1550

PRODUCT DETAILS

- Veneer or Melamine panel with wood front
- Front is 3/4" solid wood with edges profiled to match door style
- Finished on front, top, bottom, and both sides with same material as specified on order
- Only available in solid wood or HDF
- Not available in Acrylic, Melamine, PureStyle™, or Thermofoil
- No modifications

Hearth Pediment



	Pricing	Walnut Only
HP61325	1037	1141
HP67325	1142	1256
HP73325	1245	1370
HP79325	1343	1477
HP85325	1439	1583
HP91325	1526	1679
HP97325	1601	1761
HP61332	1245	1370
HP67332	1369	1506
HP73332	1494	1643
HP79332	1613	1774
HP85332	1728	1901
HP91332	1829	2012
HP97332	1921	2113

PRODUCT DETAILS

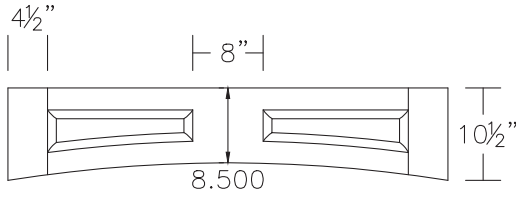
- Medium Crown moulding and Single Bead Edge moulding
- Top and bottom are finished
- Only available in solid wood or HDF
- Not available in Acrylic, Melamine, PureStyle™, or Thermofoil

DESIGN CONSIDERATIONS

- The top width is always 5" wider than the bottom
- No modifications

hoods

Classic Valance - 5 Piece

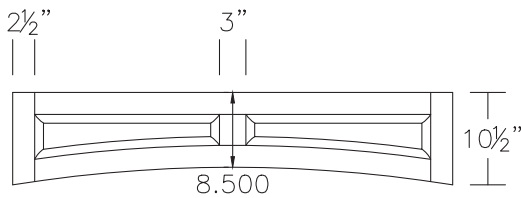


	Pricing
CV5P38	778
CV5P44	818
CV5P50	864
CV5P56	904
CV5P62	944
CV5P68	990
CV5P74	1030

PRODUCT DETAILS

- 5 piece valance
- 3/4" solid wood
- All outside edges are square
- Only available in Oak, Maple and Cherry
- No modifications

Classic Valance - 7 Piece

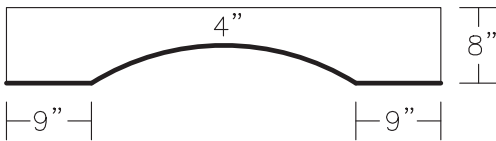


	Pricing
CV7P38	887
CV7P44	921
CV7P50	950
CV7P56	984
CV7P62	1013
CV7P68	1041
CV7P74	1075

PRODUCT DETAILS

- 7 piece valance
- 3/4" solid wood
- All outside edges are square
- Only available in Oak, Maple and Cherry
- No modifications

Hood Arch Valance

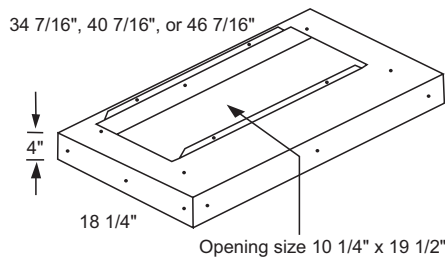
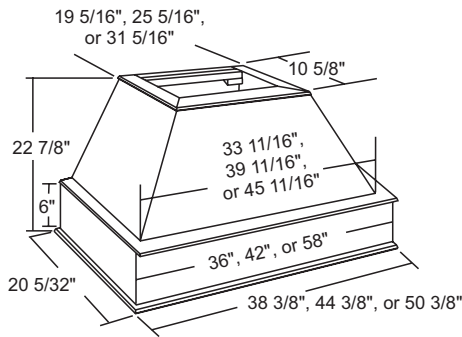


	Pricing
AVRH38	230
AVRH44	238
AVRH50	248
AVRH56	254
AVRH62	263
AVRH68	269
AVRH74	274

PRODUCT DETAILS

- 3/4" solid wood
- Only available in solid wood
- Not available in Acrylic, Melamine, PureStyle™, or Thermofoil
- Bottom edge will match door style profile
- No modifications

Wood Hood Square

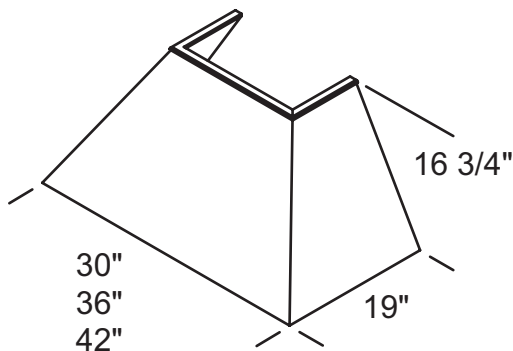


WHS36	3607	3607	3607	3607	3607	3607	3607	3932
WHS42	4047	4047	4047	4047	4047	4047	4047	4411
WHS48	4546	4546	4546	4546	4546	4546	4546	4955

PRODUCT DETAILS

- Wood Hoods are ordered on an "as required" basis; no changes or cancellations will be accepted 24 hours from acknowledgement of order
- Freestanding unit (must be properly secured to wall and cannot be attached to adjacent cabinets)
- Silver metallic liner included, Assembly required
- Exhaust system not included
- Installation hardware and instructions included
- Chimney available (WHC)
- Designed for use with BLOWER 400, BLOWER 500 and BLOWER 1100
- No modifications are available on this product
- Rustic Alder species will be constructed using a clear Alder specification

Wood Hood Euro



WHE30	3009	3009	3009	3009	3009	3009	3009	N/A
WHE36	3168	3168	3168	3168	3168	3168	3168	N/A
WHE42	3326	3326	3326	3326	3326	3326	3326	N/A

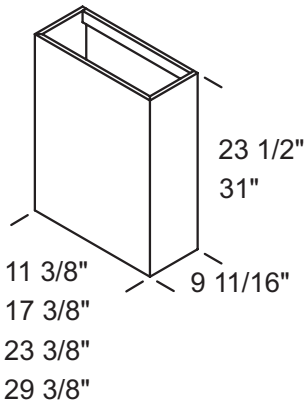
PRODUCT DETAILS

- Wood Hoods are ordered on an "as required" basis; no changes or cancellations will be accepted 24 hours from acknowledgement of order
- Must be properly secured to wall and cannot be attached to adjacent cabinets
- Add bullet about using the chimney below
- Silver metallic liner included, Assembly required
- Exhaust system not included
- Installation hardware and instructions included
- Designed for use with BLOWER 400, BLOWER 500, and BLOWER 1100
- No modifications are available on this product
- Rustic Alder species will be constructed using a clear Alder specification

hoods

1 2 3 4 5 6 7 8

Wood Hood Chimney

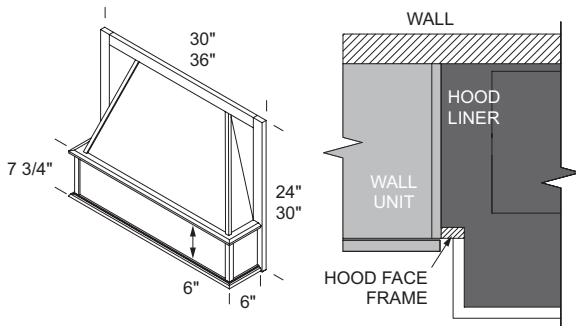


WHC30	1153	1153	1153	1153	1153	1153	1153	1257
WHC36	1199	1199	1199	1199	1199	1199	1199	1307
WHC42	1246	1246	1246	1246	1246	1246	1246	1358
WHC48	1290	1290	1290	1290	1290	1290	1290	1406
WHC3031	1293	1293	1293	1293	1293	1293	1293	1409
WHC3631	1346	1346	1346	1346	1346	1346	1346	1467
WHC4231	1399	1399	1399	1399	1399	1399	1399	1525
WHC4831	1452	1452	1452	1452	1452	1452	1452	1583

PRODUCT DETAILS

- Wood Hoods are ordered on an "as required" basis; no changes or cancellations will be accepted 24 hours from acknowledgement of order
- Height trimmable to 23"
- Optional accessory for Wood Hood Square and Euro
- 3/4" plywood core
- No modifications are available on this product
- Rustic Alder species will be constructed using a clear Alder specification

Wood Hood Tapered

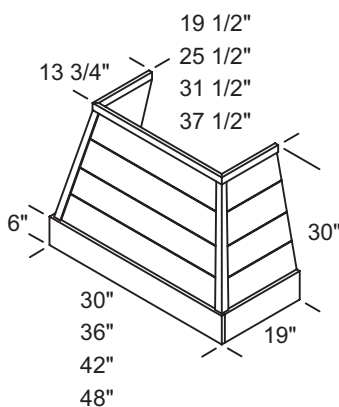


WHTP3024	1847	1847	1847	1847	1847	1847	1847	N/A
WHTP3624	1953	1953	1953	1953	1953	1953	1953	N/A
WHTP3030	2058	2058	2058	2058	2058	2058	2058	N/A
WHTP3630	2164	2164	2164	2164	2164	2164	2164	N/A

PRODUCT DETAILS

- Wood Hoods are ordered on an "as required" basis; no changes or cancellations will be accepted 24 hours from acknowledgement of order
- Unit and liner are sized to fit between adjacent 11 3/4" deep adjacent wall units.
- Silver metallic liner included, Assembly required
- Exhaust system not included
- Installation hardware and instructions included
- Designed for use with BLOWER 400, BLOWER 500, and BLOWER 1100
- No modifications are available on this product
- Rustic Alder species will be constructed using a clear Alder specification

Wood Hood Shiplap

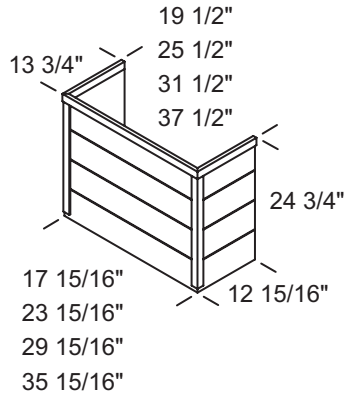


WHSL30	3510	3510	3510	3510	3510	3510	3510	3826
WHSL36	3774	3774	3774	3774	3774	3774	3774	4114
WHSL42	4038	4038	4038	4038	4038	4038	4038	4401
WHSL48	4302	4302	4302	4302	4302	4302	4302	4689

PRODUCT DETAILS

- Wood Hoods are ordered on an "as required" basis; no changes or cancellations will be accepted 24 hours from acknowledgement of order
- Must be properly secured to wall and cannot be attached to adjacent cabinets
- Silver metallic liner included, Assembly required
- Exhaust system not included
- Installation hardware and instructions included
- Chimney available (WHCSL)
- Designed for use with BLOWER 400, BLOWER 500, and BLOWER 1100
- No modifications are available on this product
- Rustic Alder species will be constructed using a clear Alder specification

Wood Hood Chimney Shiplap

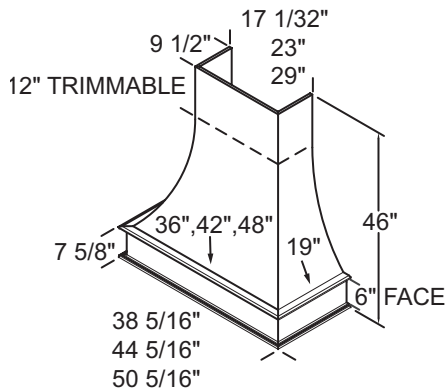


WHCSL30	1425	1425	1425	1425	1425	1425	1425	1553
WHCSL36	1530	1530	1530	1530	1530	1530	1530	1668
WHCSL42	1636	1636	1636	1636	1636	1636	1636	1783
WHCSL48	1742	1742	1742	1742	1742	1742	1742	1899

PRODUCT DETAILS

- Wood Hoods are ordered on an "as required" basis; no changes or cancellations will be accepted 24 hours from acknowledgement of order
- Height trimmable to 6"
- Optional accessory for Wood Hood Shiplap
- No modifications are available on this product
- Rustic Alder species will be constructed using a clear Alder specification

Wood Hood Artisan

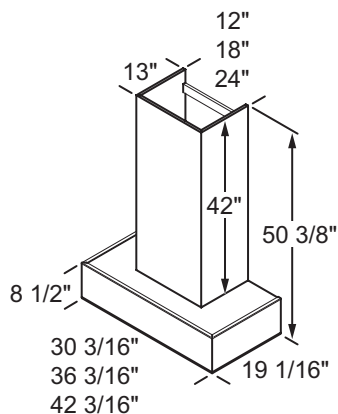


WHART36	4566	4566	4566	4566	4566	4566	4566	4977
WHART42	4724	4724	4724	4724	4724	4724	4724	5149
WHART48	4882	4882	4882	4882	4882	4882	4882	5321

PRODUCT DETAILS

- Wood Hoods are ordered on an "as required" basis; no changes or cancellations will be accepted 24 hours from acknowledgement of order
- Must be properly secured to wall and cannot be attached to adjacent cabinets
- Top 12" of chimney is trimmable for height
- Silver metallic liner included, Assembly required
- Exhaust system not included
- Installation hardware and instructions included
- Designed for use with BLOWER 400, BLOWER 500, and BLOWER 1100
- No modifications are available on this product
- Rustic Alder species will be constructed using a clear Alder specification

Wood Hood Contemporary

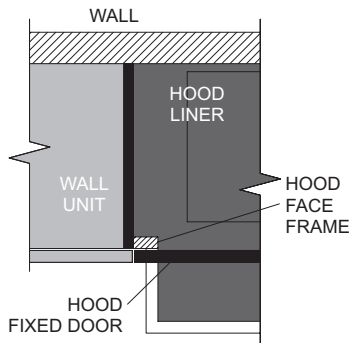
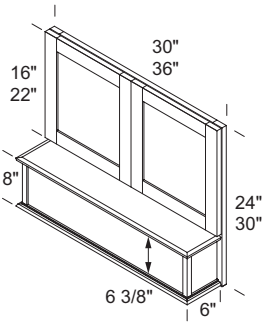


WHCON30	3563	3563	3563	3563	3563	3563	3563	N/A
WHCON36	3695	3695	3695	3695	3695	3695	3695	N/A
WHCON42	3827	3827	3827	3827	3827	3827	3827	N/A

PRODUCT DETAILS

- Wood Hoods are ordered on an "as required" basis; no changes or cancellations will be accepted 24 hours from acknowledgement of order
- Must be properly secured to wall and cannot be attached to adjacent cabinets
- Chimney height is trimmable to 12"
- Silver metallic liner included, Assembly required
- Exhaust system not included
- Installation hardware and instructions included
- Designed for use with BLOWER 400, BLOWER 500, and BLOWER 1100
- No modifications are available on this product
- Rustic Alder species will be constructed using a clear Alder specification

Wood Hood Canopy Square

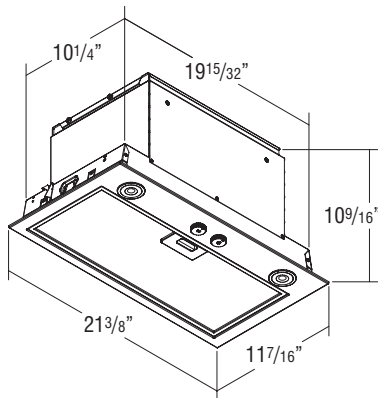


WHCAN3024	2692	2692	2692	2692	2692	2692	2692	N/A
WHCAN3624	2904	2904	2904	2904	2904	2904	2904	N/A
WHCAN3030	2851	2851	2851	2851	2851	2851	2851	N/A
WHCAN3630	3062	3062	3062	3062	3062	3062	3062	N/A

PRODUCT DETAILS

- Doors on unit will match style of order requested
- Doors are fixed to face of hood, and are non-functional
- Wood Hoods are ordered on an "as required" basis; no changes or cancellations will be accepted 24 hours from acknowledgement of order
- Unit and liner are sized to fit between adjacent 11 3/4" deep adjacent wall units.
- Silver metallic liner included, Assembly required
- Exhaust system not included
- Installation hardware and instructions included
- Designed for use with BLOWER 400, BLOWER 500, and BLOWER 1100
- No modifications are available on this product
- Rustic Alder species will be constructed using a clear Alder specification

Wood Hood Blower, 400 CFM

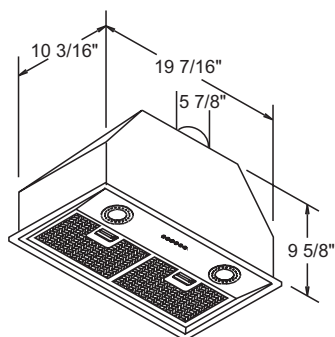


BLOWER400	1491	1491	1491	1491	1491	1491	1491	1491
-----------	------	------	------	------	------	------	------	------

PRODUCT DETAILS

- Blowers are ordered on an "as required" basis; no changes or cancellations will be accepted 24 hours from acknowledgement of order
- 400 CFM
- Two 2.8 watt (250+Lumens) LED lights included
- Installation instructions, warranty, and repair information included
- Stainless Steel finish
- Three speed rotary switch control
- Includes removable dishwasher safe grease filter
- Heat Sentry technology included
- Compatible with all Wood Hoods

Wood Hood Blower, 500 CFM



BLOWER500	3324	3324	3324	3324	3324	3324	3324	3324
-----------	------	------	------	------	------	------	------	------

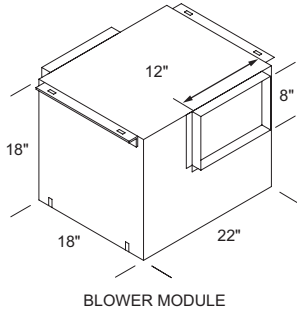
PRODUCT DETAILS

- Blowers are ordered on an "as required" basis; no changes or cancellations will be accepted 24 hours from acknowledgement of order
- 500 CFM
- Two 20 watt (12 volt, G4 base) halogen lamps included
- Installation instructions, warranty and repair information included
- Stainless steel finish
- Three speed push button control
- Includes two removable (dishwasher safe) grease filters

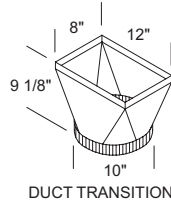
1	2	3	4	5	6	7	8
---	---	---	---	---	---	---	---

Blower 1100

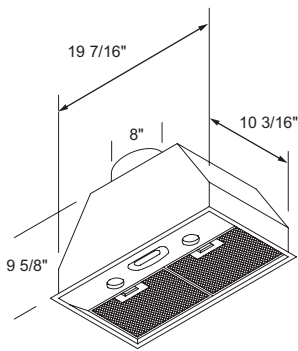
BLOWER1100	7442	7442	7442	7442	7442	7442	7442	7442
------------	------	------	------	------	------	------	------	------



BLOWER MODULE



DUCT TRANSITION



BLOWER CONTROL SHELL

PRODUCT DETAILS

- Blower components are ordered on an "as required" basis; no changes or cancellations will be accepted 24 hours from acknowledgement of order
- Installation instructions, warranty, and repair information included
- Please refer to One Touch for installation instructions

BLOWER CONTROL SHELL

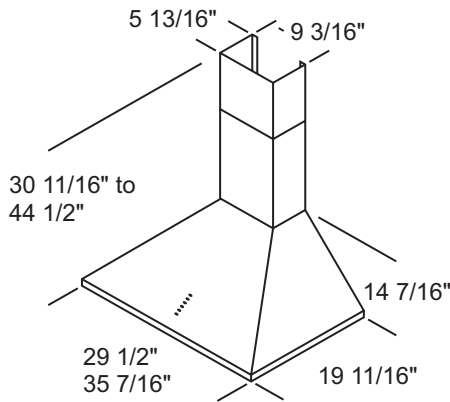
- Stainless steel finish
- Housing only - no blower
- Three speed slide control
- Two 50 watt (GU10) halogen lamps included
- Includes two removable (dishwasher safe) grease filters

BLOWER MODULE

- 1100 CFM
- Installs remotely in interior of the home
- Reduces noise at the cooktop
- Adjustable mounting brackets provide multiple solutions for mounting between joists
- Movable panels on Blower Module allow either a straight-through, or a right-angle, air discharge solution
- Includes two 8" x 12" to 10" round duct

Range Hood Stainless Taper

RHST30	3944	3944	3944	3944	3944	3944	3944	3944
RHST36	4092	4092	4092	4092	4092	4092	4092	4092

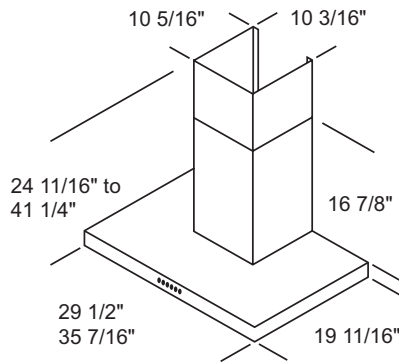


PRODUCT DETAILS

- Stainless steel
- Chimney is expandable to 44 1/2"
- Liner not required
- Unit includes: fan, four speed motor (600 CFM) and two 20 watt Halogen lights
- No modifications are available on this product

Range Hood Stainless Square

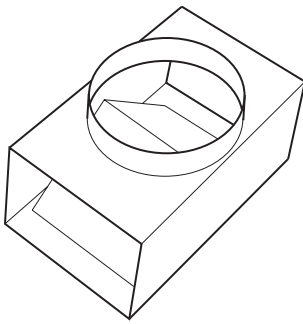
RHSS30	4259	4259	4259	4259	4259	4259	4259	4259
RHSS36	4513	4513	4513	4513	4513	4513	4513	4513

**PRODUCT DETAILS**

- Stainless steel
- Chimney is expandable to 41 1/4"
- Liner not required
- Unit includes: fan, four speed motor (600 CFM) and two 20 watt Halogen lights
- No modifications are available on this product

Stainless Hood Air Deviator - Tapered & Square

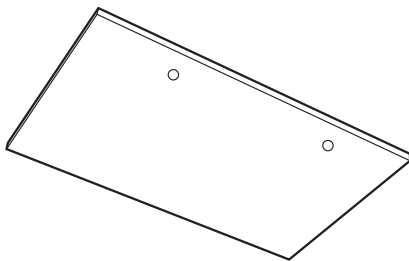
DEV-RHST	178	178	178	178	178	178	178	178
DEV-RHSS	178	178	178	178	178	178	178	178

**PRODUCT DETAILS**

- DEV-RHST available for RHST30 and RHST36 models
- DEV-RHSS available for RHSS30 and RHSS36 models

Carbon Filter

KF2	225	225	225	225	225	225	225	225
-----	-----	-----	-----	-----	-----	-----	-----	-----

**PRODUCT DETAILS**

- For use with RHST30, RHST36, RHSS30 and RHSS36 models

hoods

Stanisci Hoods

Stanisci Range Hoods are constructed with specific frames, panels, and mouldings that do not necessarily match our standard door styles. Please use the chart and drawings below to see the construction of Stanisci Range Hoods.

Example: If you order a RHMTD3024 in the door style of Heritage, the frame on the Stanisci Range Hood will be number 443 with flat panel. The panel will be Cove (see below) and the mouldings used will be similar to the mouldings used in Moulding Package 1.

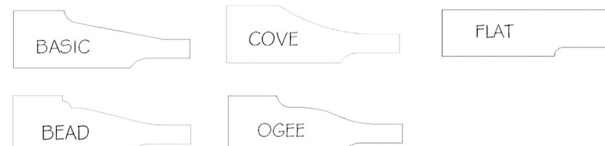
Door Style	Type of Panel	Panel Material	Frame Number Used	Panel Name Used	Moulding Package Number Used
Albany	Mortise and Tenon	Wood	443	Flat	1
Auburn	Miter	Wood	443	Flat	1
Broadmoor	Mortise and Tenon	Wood	443	Flat	1
Canongate	Slab	Veneer	445	Flat	1
Canyon	Mortise and Tenon	Wood	445	Flat	1
Chestermere	Mortise and Tenon	Wood	443	Flat	1
Collingwood	Mortise and Tenon	Wood	443	Ogee	1
Dayton	Mortise and Tenon	Wood	445	Flat	1
Deerhurst	Mortise and Tenon	Wood	446	Flat	1
Elmhurst	Mortise and Tenon	Wood	446	Flat	1
Foxfire	Mortise and Tenon	Wood	446	Flat	1
Glendale	Mortise and Tenon	Wood	443	Flat	1
Harbour	Mortise and Tenon	Wood	445	Flat	1
Heritage	Mortise and Tenon	Wood	443	Cove	1
Hilton	Miter	Wood	446	Flat	1
Ironshore	Mortise and Tenon	Wood	450	Flat	1
Kingswood	Mortise and Tenon	Wood	443	Flat	1
Legacy	Mortise and Tenon	Wood	443	Ogee	1
Metro	Slab	Veneer	445	Flat	1
Monacco	Miter	Wood	446	Ogee	1
Muirfield	Mortise and Tenon	Wood	445	Flat	1
Oxfordshire	Mortise and Tenon	Wood	441	Flat	1
Pioneer	Mortise and Tenon	Wood	443	Flat	1
Queenstown	Mortise and Tenon	Wood	443	Flat	1
Redan	Mortise and Tenon	Wood	450	Flat	1
Richmond	Mortise and Tenon	Wood	443	Flat	1
Saddlebrook	Mortise and Tenon	Wood	443	Flat	1
Scotswood	Miter	Wood	446	Ogee	1
Shadowood	Miter	Wood	448	Flat	1
St. Charles	Mortise and Tenon	Wood	445	Flat	1
Sussex	Mortise and Tenon	Wood	445	Flat	1
Valhalla	Miter	Wood	446	Flat	1
Yorkshire	Mortise and Tenon	Wood	445	Flat	1

Note: Frame outside profile is always square; only available in solid wood

FRAME



PANEL



Moulding Package 1

HOODS

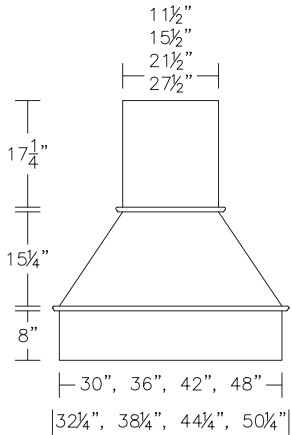
Stanisci Notes

- An optional, removable center panel can be added at an extra cost
- The extra cost for the Interior Center Panel is \$900.00 for Oak and Maple styles and \$1050.00 for Alder and Cherry styles
- This option is not available on VCHIM or VRACHIM
- These Range Hoods cannot be modified in any way
- Due to the complexity of these Range Hoods, the lead time will be extended by 1 week
- Please use the Stanisci Range Hood Order form in the Order Forms section of this book to order these Range Hoods

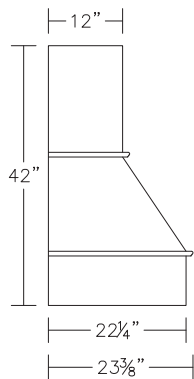
VCHIM3042	RHMVS3024	RHMTD3024
VCHIM3642	RHMVS3030	RHMTD3030
VCHIM4242	RHMVS3036	RHMTD3036
VCHIM4842	RHMVS3040.5	RHMTD3040.5
VCHIMX3042	RHMVS3624	RHMTD3624
VCHIMX3642	RHMVS3630	RHMTD3630
VCHIMX4242	RHMVS3636	RHMTD3636
VCHIMX4842	RHMVS3640.5	RHMTD3640.5
VRACHIM3042	RHMVS4224	RHMTD4224
VRACHIM3642	RHMVS4230	RHMTD4230
VRACHIM4242	RHMVS4236	RHMTD4236
VRACHIM4842	RHMVS4240.5	RHMTD4240.5
VRACHIMX3042	RHMVS4824	RHMTD4824
VRACHIMX3642	RHMVS4830	RHMTD4830
VRACHIMX4242	RHMVS4836	RHMTD4836
VRACHIMX4842	RHMVS4840.5	RHMTD4840.5
	RHMVS5424	RHMTD5424
	RHMVS5430	RHMTD5430
	RHMVS5436	RHMTD5436
	RHMVS5440.5	RHMTD5440.5
	RHMVS6024	RHMTD6024
	RHMVS6030	RHMTD6030
	RHMVS6036	RHMTD6036
	RHMVS6040.5	RHMTD6040.5
	RHMVSX3024	RHMTDX3024
	RHMVSX3030	RHMTDX3030
	RHMVSX3036	RHMTDX3036
	RHMVSX3040.5	RHMTDX3040.5
	RHMVSX3624	RHMTDX3624
	RHMVSX3630	RHMTDX3630
	RHMVSX3636	RHMTDX3636
	RHMVSX3640.5	RHMTDX3640.5
	RHMVSX4224	RHMTDX4224
	RHMVSX4230	RHMTDX4230
	RHMVSX4236	RHMTDX4236
	RHMVSX4240.5	RHMTDX4240.5
	RHMVSX4824	RHMTDX4824
	RHMVSX4830	RHMTDX4830
	RHMVSX4836	RHMTDX4836
	RHMVSX4840.5	RHMTDX4840.5
	RHMVSX5424	RHMTDX5424
	RHMVSX5430	RHMTDX5430
	RHMVSX5436	RHMTDX5436
	RHMVSX5440.5	RHMTDX5440.5
	RHMVSX6024	RHMTDX6024
	RHMVSX6030	RHMTDX6030
	RHMVSX6036	RHMTDX6036
	RHMVSX6040.5	RHMTDX6040.5

Chimney Hood with Standard Base with Components

Pricing



VCHIM3042	7660
VCHIM3642	7883
VCHIM4242	8138
VCHIM4842	8346



PRODUCT DETAILS

- Comes with pro mesh liner, halogen lights, brushed stainless filters, variable speed
- Comes with internal motor package 600 cfm 8" round duct - Premium Squirrel Cage
- Comes with wire harness; used to convert 600 cfm motor to 300 cfm motor
- Only available in Oak, Maple, Cherry and Alder

DESIGN CONSIDERATIONS

- The optional removable interior center panel is not available for these range hoods
- No modifications

Chimney Hood with Standard Base without Components

Pricing

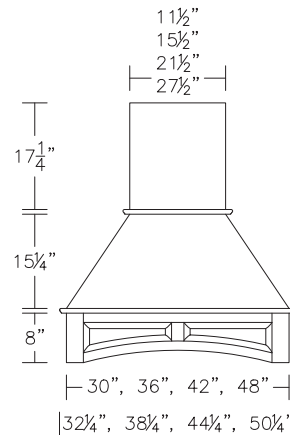
VCHIMX3042	2248
VCHIMX3642	2458
VCHIMX4242	2708
VCHIMX4842	2858

PRODUCT DETAILS

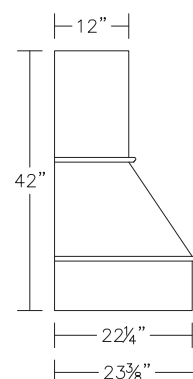
- Does not include any fans, lights, wiring, liner etc.
- The optional removable interior center panel is not available for these range hoods
- No modifications

Chimney Hood with Arch Base with Components

Pricing



VRACHIM3042	7966
VRACHIM3642	8198
VRACHIM4242	8464
VRACHIM4842	8680



PRODUCT DETAILS

- Comes with pro mesh liner, dimmer controlled halogen lights, variable speed
- Comes with internal motor package 600 cfm 8" round duct - Premium Squirrel Cage
- Comes with wire harness; used to convert 600 cfm motor to 300 cfm motor
- Only available in Oak, Maple, Cherry and Alder

DESIGN CONSIDERATIONS

- The optional removable interior center panel is not available for these range hoods
- No modifications

Chimney Hood with Arch Base without Components

Pricing

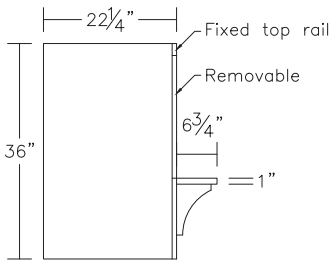
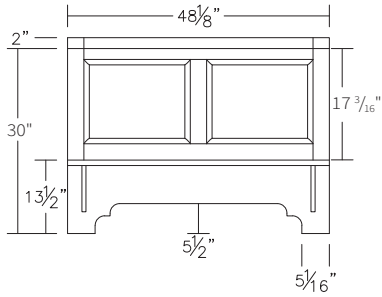
VRACHIMX3042	2402
VRACHIMX3642	2574
VRACHIMX4242	2760
VRACHIMX4842	2898

PRODUCT DETAILS

- Does not include any fans, lights, wiring, liner etc.
- The optional removable interior center panel is not available for these range hoods
- No modifications

Mantle Style Range Hood with Arch Valance with Components

Pricing



RHMVS3024	10515
RHMVS3030	10515
RHMVS3036	10559
RHMVS3040.5	10559
RHMVS3624	10774
RHMVS3630	10774
RHMVS3636	10823
RHMVS3640.5	10823
RHMVS4224	11005
RHMVS4230	11005
RHMVS4236	11049
RHMVS4240.5	11049
RHMVS4824	11236
RHMVS4830	11236
RHMVS4836	11280
RHMVS4840.5	11280
RHMVS5424	11566
RHMVS5430	11566
RHMVS5436	11615
RHMVS5440.5	11615
RHMVS6024	11895
RHMVS6030	11895
RHMVS6036	11950
RHMVS6040.5	11950

PRODUCT DETAILS

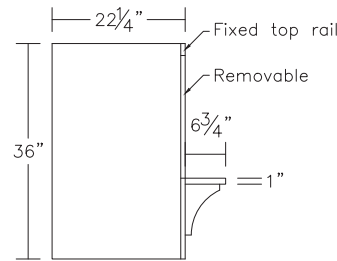
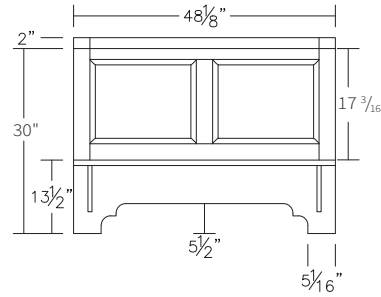
- Comes with pro mesh liner, halogen lights, brushed stainless filters, variable speed
- Comes with internal motor package 600 cfm 8" round duct - Premium Squirrel Cage
- Comes with wire harness - used to convert 600 cfm motor to 300 cfm motor
- 30", 36" and 42" wide units come with 2 doors on the front
- 48", 54" and 60" wide units come with 3 doors on the front
- Panels are attached with hardware for easy removal
- Rear cabinet behind face panel will measure 48" wide
- All units will have two upper panels
- All units will have two brackets
- Only available in Oak, Maple, Cherry and Alder

DESIGN CONSIDERATIONS

- If ordering optional removable interior center panel, it should be set horizontally 2" above the bottom of hood or 2" above the top of the arch detail (if applicable) inside the hood's interior.
- No modifications

Mantle Style Range Hood with Arch Valance without Components

Pricing



RHMVSX3024	5128
RHMVSX3030	5128
RHMVSX3036	5186
RHMVSX3040.5	5186
RHMVSX3624	5293
RHMVSX3630	5293
RHMVSX3636	5352
RHMVSX3640.5	5352
RHMVSX4224	5419
RHMVSX4230	5419
RHMVSX4236	5480
RHMVSX4240.5	5480
RHMVSX4824	5502
RHMVSX4830	5502
RHMVSX4836	5558
RHMVSX4840.5	5558
RHMVSX5424	5683
RHMVSX5430	5683
RHMVSX5436	5745
RHMVSX5440.5	5745
RHMVSX6024	5869
RHMVSX6030	5869
RHMVSX6036	5934
RHMVSX6040.5	5934

PRODUCT DETAILS

- Does not include any fans, lights, wiring, liner etc.
- 30", 36" and 42" wide units come with 2 doors on the front
- 48", 54" and 60" wide units come with 3 doors on the front
- Panels are attached with hardware for easy removal
- Rear cabinet behind face panel will measure 48" wide
- All units will have two upper panels
- All units will have two brackets
- Only available in Oak, Maple, Cherry and Alder

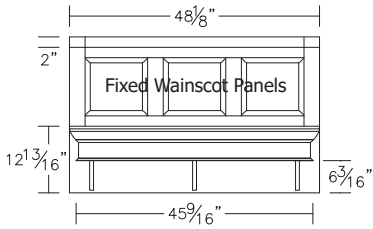
DESIGN CONSIDERATIONS

- If ordering optional removable interior center panel, it should be set horizontally 2" above the bottom of hood or 2" above the top of the arch detail (if applicable) inside the hood's interior.
- No modifications

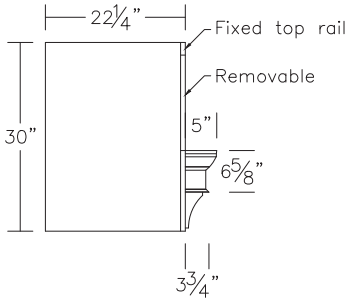
hoods

Mantle Style Range Hood with Straight Valance with Components

Pricing

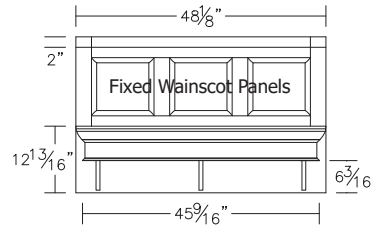


RHMTD3024	9960
RHMTD3030	10136
RHMTD3036	10318
RHMTD3040.5	10510
RHMTD3624	10224
RHMTD3630	10422
RHMTD3636	10620
RHMTD3640.5	10829
RHMTD4224	10494
RHMTD4230	10719
RHMTD4236	10949
RHMTD4240.5	11186
RHMTD4824	10889
RHMTD4830	11147
RHMTD4836	11389
RHMTD4840.5	11648
RHMTD5424	11246
RHMTD5430	11471
RHMTD5436	11741
RHMTD5440.5	12033
RHMTD6024	11549
RHMTD6030	11840
RHMTD6036	12137
RHMTD6040.5	12461

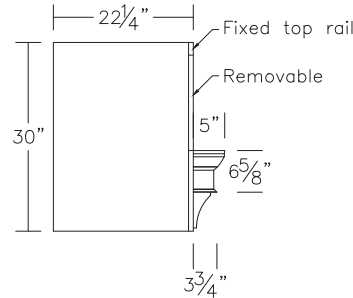


Mantle Style Range Hood with Straight Valance without Components

Pricing



RHMTDX3024	4134
RHMTDX3030	4365
RHMTDX3036	4604
RHMTDX3040.5	4850
RHMTDX3624	4295
RHMTDX3630	4554
RHMTDX3636	4811
RHMTDX3640.5	5082
RHMTDX4224	4472
RHMTDX4230	4764
RHMTDX4236	5058
RHMTDX4240.5	5366
RHMTDX4824	4756
RHMTDX4830	5083
RHMTDX4836	5397
RHMTDX4840.5	5727
RHMTDX5424	4955
RHMTDX5430	5248
RHMTDX5436	5595
RHMTDX5440.5	5966
RHMTDX6024	5096
RHMTDX6030	5465
RHMTDX6036	5847
RHMTDX6040.5	6259



PRODUCT DETAILS

- Comes with pro mesh liner, dimmer controlled halogen lights, variable speed
- Comes with internal motor package 600 cfm 8" round duct - Premium Squirrel Cage
- Comes with wire harness used to convert 600 cfm motor to 300 cfm motor
- 30", 36" and 42" wide units come with a wainscot panel with 2 inserts
- 48", 54" and 60" wide units come with a wainscot panel with 3 inserts
- Panels are attached with hardware for easy removal
- Rear cabinet measures 48" wide
- All units will have three brackets
- Only available in Oak, Maple, Cherry and Alder

DESIGN CONSIDERATIONS

- If ordering optional removable interior center panel, it should be set horizontally 2" above the bottom of hood or 2" above the top of the arch detail (if applicable) inside the hood's interior
- No modifications

PRODUCT DETAILS

- Does not include any fans, lights, wiring, liner etc.
- 30", 36" and 42" wide units come with a wainscot panel with 2 inserts
- 48", 54" and 60" wide units come with a wainscot panel with 3 inserts
- Panels are attached with hardware for easy removal
- Rear cabinet measures 48" wide
- All units will have three brackets
- Only available in Oak, Maple, Cherry and Alder

DESIGN CONSIDERATIONS

- If ordering optional removable interior center panel, it should be set horizontally 2" above the bottom of hood or 2" above the top of the arch detail (if applicable) inside the hood's interior
- No modifications

Base Cabinets

Refer to pages D.10-D.39 for specific door style information.

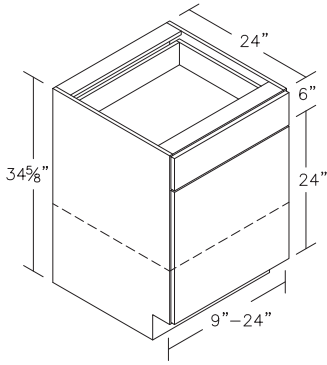
Base - Full Width 6" Drawer	B.2
Base - Split Drawer.....	B.3
Base - Full Height Door.....	B.4
Base - 13" Deep with Full Height Door	B.5
Base - with Slide Out Trays	B.6
Base - Single Waste Bin, Top Mount, 12" Wide Pullout ...	B.7
Base - Single Waste Bin, Top Mount, 15" Wide Pullout ...	B.7
Base - Double Waste Bin, Top Mount Pullout	B.7
Base - Single Waste Bin, Bottom Mount Pullout	B. 8
Base - Double Waste Bin, Bottom Mount Pullout.....	B. 9
Base - Recycling Center, Top Mount Pullout	B.10
Base - Single Waste Bin, Bottom Mount Pullout	B.10
Base - Double Waste Bin, Bottom Mount Pullout.....	B.10
Base Pullout.....	B.10
Base Pullout - Towel Bar 6"	B.11
Base Pullout - Pots and Pans	B.11
Base - Mixer Shelf	B.11
Base Drawer - 2 Vertical	B.12
Base Drawer - 3 Vertical	B.12
Base Drawer - 4 Split.....	B.13
Base Drawer - 4 Vertical	B.13
Base Drawer - 5 Vertical	B.13
Base Drawer - 3 Vertical, False Front	B.14
Base Drawer - 4 Split, False Front.....	B.14
Base Drawer with Hidden Drawer	B.14
Base Drawer with 2 Hidden Drawers.....	B.15
Base Corner Blind.....	B.16
Base Corner - Easy Glide Blind Base Rollout	B.17
Base Corner Blind with Magic Corner Pullout	B.17
Base with False Front	B.18
Base with False Front and Slide Out Trays	B.18
Base - Drop Down Cooktop.....	B.18
Base - Range Drawer.....	B.19
Base - Oven.....	B.19
Base - Microwave with Drawer	B.20

Base - Warming Drawer	B.20
Sink Base.....	B.21
Sink Base with Tilt Out Trays.....	B.22
Sink Base with Sliding Utility Basket.....	B.23
Sink Base with Round Waste Bin	B.23
Base - Farm Sink.....	B.23
Sink Base - Inverted	B.24
Sink Base - Cabinet Front Only	B.24
Base - Angle Sink Corner	B.25
Base - Angle Sink Corner Clipped.....	B.25
Base Angle Sink - Cabinet Front Only	B.26
Base Drawer Corner - Corner Square 3 Vertical.....	B.26
Base Corner Corner Square - Super Susan Pullout	B.27
Base - Angle Corner	B.27
Base - Square Corner	B.28
Base Square Corner - Lazy Susan	B.29
Base Square Corner - Super Susan	B.30
Base Square Corner - Floating Lazy Susan.....	B.31
Base - Inside Junction	B.31
Base - Outside Junction	B.32
Base End - Double Entry Full Height Door	B.32
Base End - 13" Double Entry Full Height Door	B.32
Base End - Angle Full Height Door	B.33
Base End - Triangle Full Height Door.....	B.33
Base - Triangle Open Shelf.....	B.33
Base End	B.34
Base - X Wine Rack	B.35
Base End - Open	B.36
Base - Window Seat	B.36

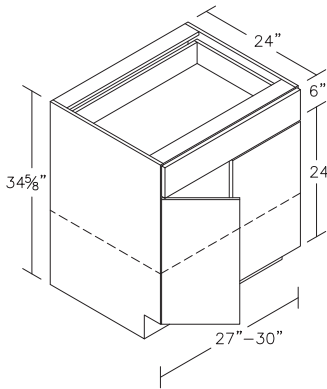
base cabinets

1 2 3 4 5 6 7 8

Base - Full Width 6" Drawer



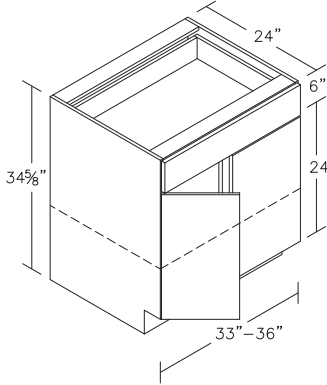
B9(L/R)	379	424	454	512	549	605	701	841
B10.5(L/R)	391	438	469	529	568	626	725	869
B12(L/R)	405	453	486	546	587	647	749	899
B13.5(L/R)	421	471	505	568	610	673	779	935
B15(L/R)	439	492	526	593	638	703	812	974
B16.5(L/R)	454	509	545	614	658	727	840	1009
B18(L/R)	469	525	564	633	680	751	868	1042
B19.5(L/R)	483	541	578	651	700	773	892	1071
B21(L/R)	501	562	601	676	726	802	927	1113
B24(L/R)	526	590	631	710	763	842	974	1169



Without center stile

PRODUCT DETAILS

- 1 door, 1 drawer
- 1 adjustable shelf

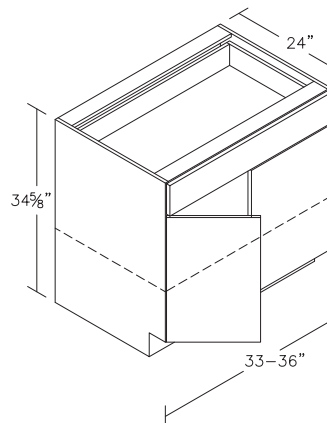


With center stile

B27FWD	677	758	812	914	982	1084	1252	1503
B30FWD	707	791	849	955	1025	1132	1308	1570
B33FWD	732	820	878	989	1062	1171	1354	1624
B36FWD	760	851	913	1026	1102	1217	1407	1689

PRODUCT DETAILS

- 2 doors, 1 drawer
- 1 adjustable shelf
- 27" and 30" have no center stile



Without center stile

B33FWDNCS	732	820	878	989	1062	1171	1354	1624
B36FWDNCS	760	851	913	1026	1102	1217	1407	1689

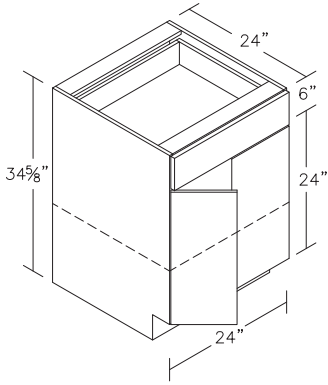
PRODUCT DETAILS

- 2 doors, 1 drawer
- 1 adjustable shelf
- No center stile

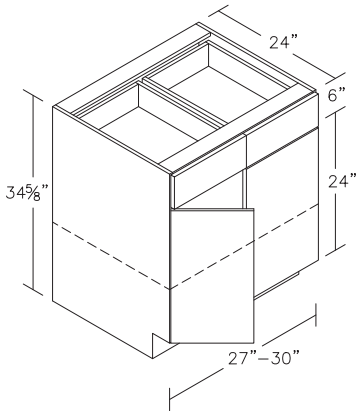
(L/R) specify L (hinge left) or R (hinge right) to cabinet code

base cabinets

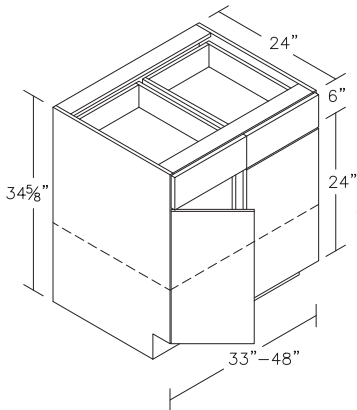
Base - Split Drawer



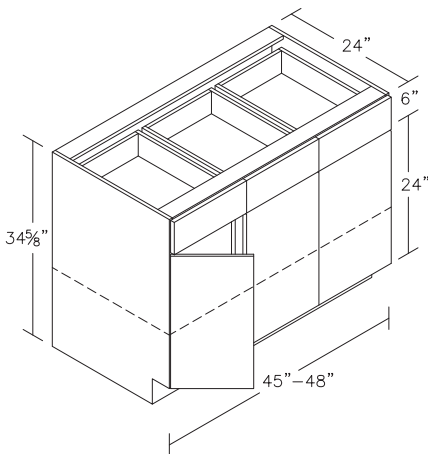
Without center stile



Without center stile



With center stile



With center stile

	1	2	3	4	5	6	7	8
B24-2	572	641	686	773	830	915	1059	1271
B27	639	714	765	862	926	1021	1181	1418
B30	673	754	807	909	976	1076	1245	1493
B33	701	785	841	946	1017	1121	1297	1556
B36	728	815	874	983	1056	1165	1347	1616
B39	758	849	910	1023	1099	1214	1403	1684
B42	778	870	934	1050	1128	1244	1438	1726
B45-2	834	935	1000	1126	1210	1334	1542	1851
B48-2	890	997	1069	1201	1291	1425	1647	1977

PRODUCT DETAILS

- 2 doors, 2 drawers
- 1 adjustable shelf
- B24-2 has 2 doors and 1 drawer
- 24", 27" and 30" have no center stile

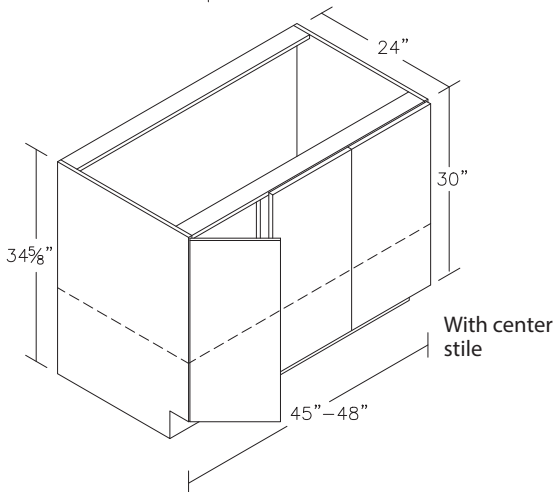
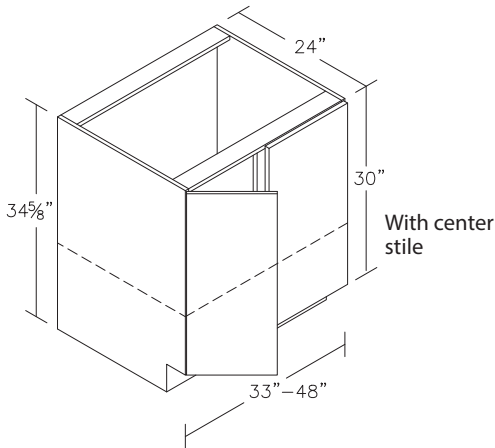
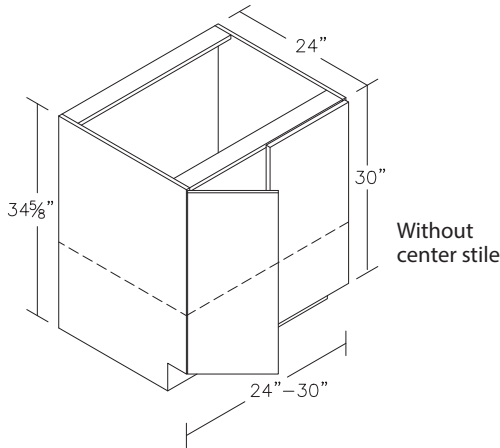
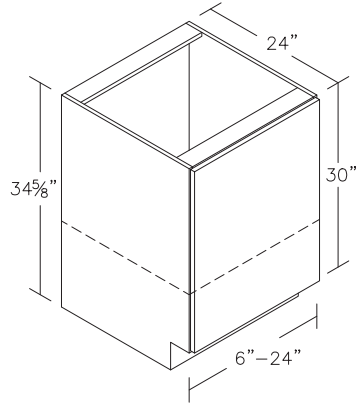
B45-3(L/R)	942	1056	1130	1272	1367	1508	1742	2091
B48-3(L/R)	968	1084	1162	1306	1404	1549	1791	2150

PRODUCT DETAILS

- 3 doors, 3 drawers
- 1 adjustable shelf
- Hinge designation is for center door

(L/R) specify L (hinge left) or R (hinge right) to cabinet code

Base Full Height Door



	1	2	3	4	5	6	7	8
B6FH(L/R)	270	303	324	365	392	433	500	600
B7.5FH(L/R)	283	317	339	382	410	453	523	628
B9FH(L/R)	295	331	354	399	428	473	546	656
B10.5FH(L/R)	308	345	369	416	446	493	570	683
B12FH(L/R)	320	359	384	432	464	513	593	711
B13.5FH(L/R)	333	373	399	449	483	532	616	739
B15FH(L/R)	345	387	414	466	501	552	639	767
B16.5FH(L/R)	358	401	429	483	519	572	662	794
B18FH(L/R)	370	415	444	500	537	592	685	822
B19.5FH(L/R)	383	429	459	517	555	612	708	850
B21FH(L/R)	395	443	474	534	573	632	731	877
B24FH(L/R)	408	457	489	550	591	652	754	905

PRODUCT DETAILS

- 1 door, 1 adjustable shelf
- 6" and 7½" wide units come with a slab door only

B24-2FH	430	481	515	580	623	687	795	954
B27FH	459	514	550	619	665	734	848	1018
B30FH	488	546	585	658	707	780	902	1083
B33FH	517	579	620	698	749	827	956	1147
B36FH	546	612	655	737	792	874	1010	1212
B39FH	575	644	690	776	834	920	1064	1277
B42FH	604	677	725	816	876	967	1118	1341
B45-2FH	633	709	760	855	918	1013	1172	1406
B48-2FH	662	742	795	894	961	1060	1226	1471

PRODUCT DETAILS

- 2 doors, 1 adjustable shelf
- 24", 27" and 30" have no center stile

B45-3FH(L/R)	714	800	857	965	1036	1143	1322	1586
B48-3FH(L/R)	766	858	920	1035	1111	1226	1418	1702

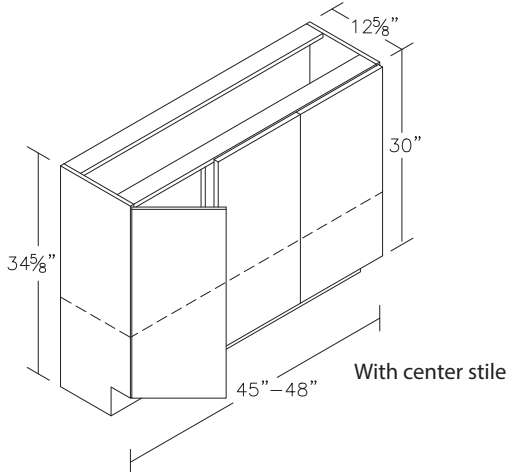
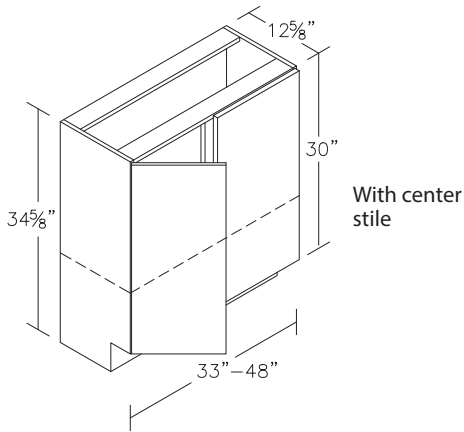
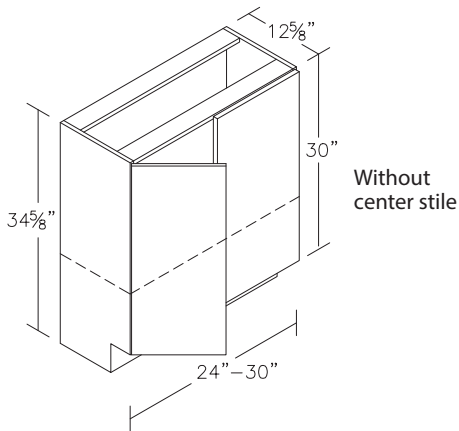
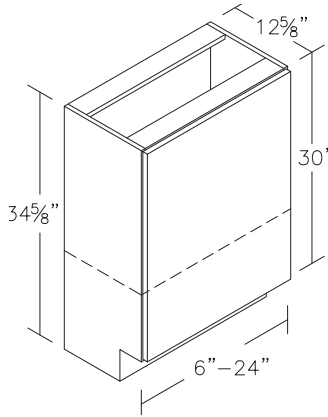
PRODUCT DETAILS

- 3 doors, 1 adjustable shelf
- Hinge designation is for center door

(L/R) specify L (hinge left) or R (hinge right) to cabinet code

base cabinets

Base - 13" Deep with Full Height Door



	1	2	3	4	5	6	7	8
B613FH(L/R)	270	303	324	365	392	433	500	600
B7.513FH(L/R)	283	317	339	382	410	453	523	628
B913FH(L/R)	295	331	354	399	428	473	546	656
B10.513FH(L/R)	308	345	369	416	446	493	570	683
B1213FH(L/R)	320	359	384	432	464	513	593	711
B13.513FH(L/R)	333	373	399	449	483	532	616	739
B1513FH(L/R)	345	387	414	466	501	552	639	767
B16.5FH(L/R)	358	401	429	483	519	572	662	794
B1813FH(L/R)	370	415	444	500	537	592	685	822
B19.513FH(L/R)	383	429	459	517	555	612	708	850
B2113FH(L/R)	395	443	474	534	573	632	731	877
B2413FH(L/R)	408	457	489	550	591	652	754	905

PRODUCT DETAILS

- 1 door, 1 adjustable shelf
- 6" and 7½" wide units come with a slab door only

B2413-2FH	430	481	515	580	623	687	795	954
B2713FH	459	514	550	619	665	734	848	1018
B3013FH	488	546	585	658	707	780	902	1083
B3313FH	517	579	620	698	749	827	956	1147
B3613FH	546	612	655	737	792	874	1010	1212
B3913FH	575	644	690	776	834	920	1064	1277
B4213FH	604	677	725	816	876	967	1118	1341
B4513-2FH	633	709	760	855	918	1013	1172	1406
B4813-2FH	662	742	795	894	961	1060	1226	1471

PRODUCT DETAILS

- 2 doors, 1 adjustable shelf
- 24", 27" and 30" have no center stile

B4513-3FH(L/R)	714	800	857	965	1036	1143	1322	1586
B4813-3FH(L/R)	766	858	920	1035	1111	1226	1418	1702

PRODUCT DETAILS

- 3 doors, 1 adjustable shelf
- Hinge designation is for center door

(L/R) specify L (hinge left) or R (hinge right) to cabinet code

Base - With Slide Out Trays

B15(L/R)SOT2	655	708	743	809	854	919	1029	1191
B18(L/R)SOT2	685	742	780	850	896	967	1085	1258
B21(L/R)SOT2	718	778	817	892	942	1018	1143	1329
B24(L/R)SOT2	743	806	848	927	980	1059	1191	1385

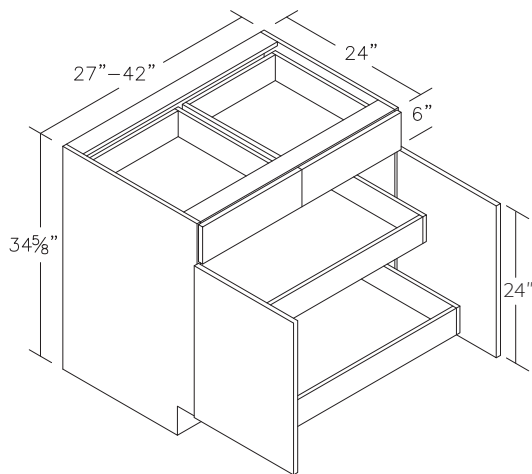
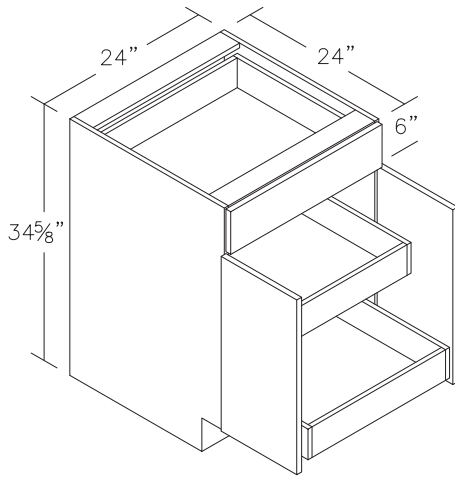
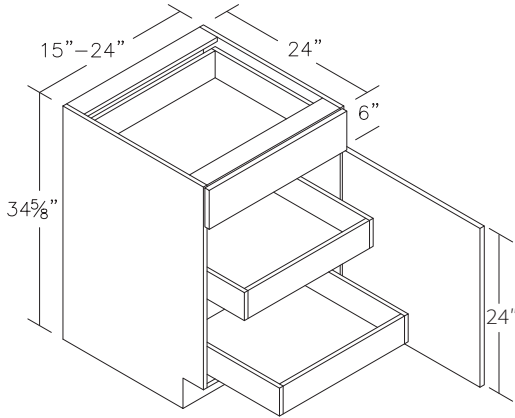
PRODUCT DETAILS

- 1 door, 1 drawer
- 2 slide out trays - standard placement only, configured from the bottom
- Pricing based on SWS (single wall steel) SOT (slide out trays)

B24-2SOT2	788	857	903	989	1046	1132	1275	1487
B27SOT2	855	931	982	1078	1142	1238	1398	1634
B30SOT2	889	970	1023	1125	1192	1293	1461	1710
B33SOT2	917	1002	1058	1163	1233	1337	1513	1772
B36SOT2	944	1032	1090	1199	1272	1381	1563	1832
B39SOT2	974	1065	1126	1240	1316	1430	1619	1900

PRODUCT DETAILS

- 2 doors, 2 drawers (B24-2SOT2 has 2 doors and 1 drawer)
- 2 full width slide out trays - standard placement only, configured from the bottom
- Pricing based on SWS (single wall steel) SOT (slide out trays)



(L/R) specify L (hinge left) or R (hinge right) to cabinet code

base cabinets

1	2	3	4	5	6	7	8
---	---	---	---	---	---	---	---

Base - Single Waste Bin, Top Mount, 12" Wide Pullout

B12SWB	1921	1970	2002	2062	2103	2163	2265	2415
B12FHSWB	1921	1970	2002	2062	2103	2163	2265	2415



Waste Bins are 42.2 & 8.9 quarts (or 32 & 8.5 litres)

PRODUCT DETAILS

- Choose from two options: one door with one drawer, or one full height door
- Comes with a lid and full extension soft close glides
- Door is mounted to the front of hardware

Base - Single Waste Bin, Top Mount, 15" Wide Pullout

B15SWB	1909	1962	1997	2063	2108	2174	2283	2445
B15FHSWB	1909	1962	1997	2063	2108	2174	2283	2445



Waste Bins are 42.2 & 8.9 quarts (or 32 & 8.5 litres)

PRODUCT DETAILS

- Choose from two options: one door with one drawer, or one full height door
- Comes with a lid and full extension soft close glides
- Door is mounted to the front of hardware

Base - Double Waste Bin, Top Mount Pullout

B18DWB	1501	1557	1596	1665	1712	1783	1900	2074
B21DWB	1599	1660	1699	1774	1824	1900	2025	2211
B18FHDWB	1501	1557	1596	1665	1712	1783	1900	2074
B21FHDWB	1599	1660	1699	1774	1824	1900	2025	2211



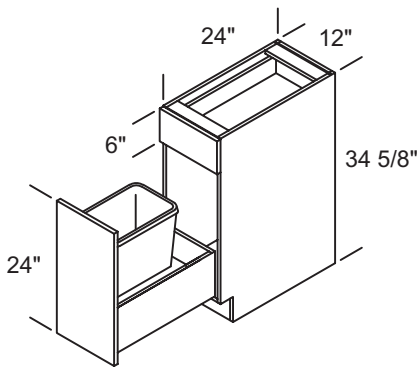
Waste Bins are 36.9 quarts/35 litres

PRODUCT DETAILS

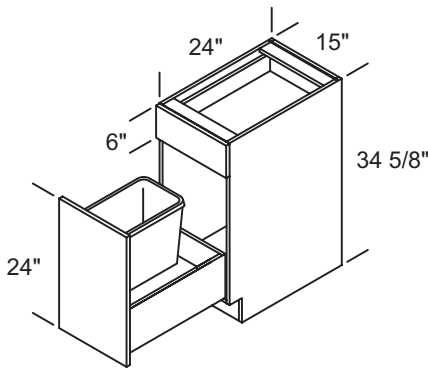
- Choose from two options: one door with one drawer, or one full height door
- Comes with a lid and full extension soft close glides
- Door is mounted to the front of hardware

Base - Single Waste Bin,
Bottom Mount Pullout

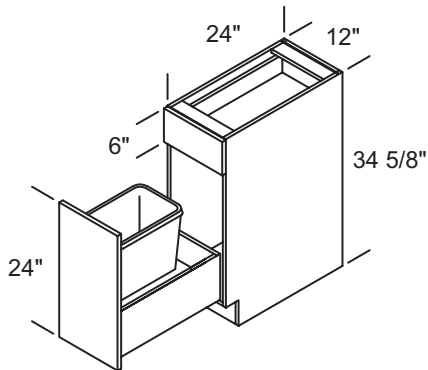
B12WWBS	1415	1463	1496	1556	1597	1657	1759	1909
B15WWBS	1498	1551	1585	1652	1697	1762	1871	2033
B12FHWWS	1330	1369	1394	1442	1474	1523	1603	1721
B15FHWWS	1404	1446	1473	1525	1560	1611	1698	1826



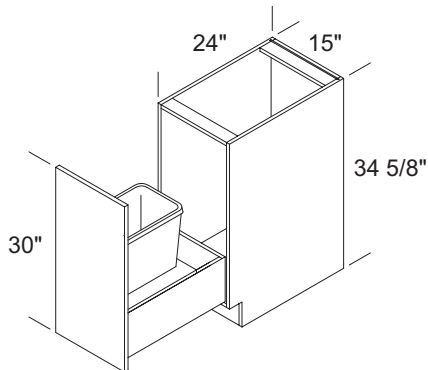
B12WWBS



B15WWBS



B12FHWWS



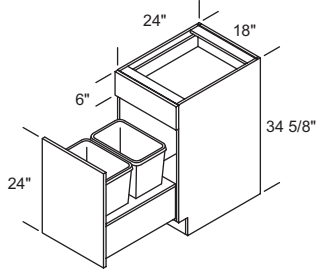
B15FHWWS

PRODUCT DETAILS

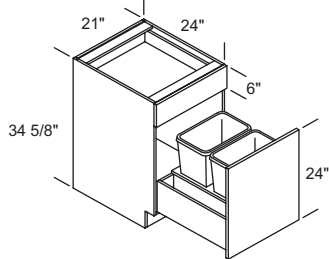
- One 33 litre/35 quart grey removable waste bin with wood hardwood and full extension Smart Stop soft-closing guides
- B12WWBS rear storage compartment size 9" x 5 3/8"
- B15WWBS rear storage compartment size 12" x 5 3/8"
- B12FHWWS rear storage compartment size 9" x 5 3/8"
- B15FHWWS rear storage compartment size 12" x 5 3/8"

Base - Double Waste Bin, Bottom Mount Pullout

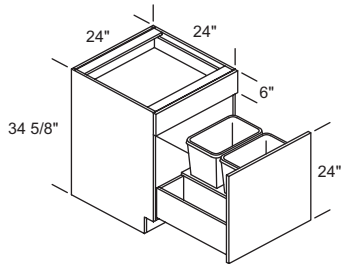
B18WWBD	1603	1659	1698	1767	1814	1885	2002	2176
B21WWBD	1681	1742	1781	1856	1906	1982	2107	2293
B24WWBD	1749	1813	1854	1933	1986	2065	2197	2392
B18FHWWBD	1504	1549	1578	1634	1671	1726	1819	1956
B21FHWWBD	1575	1623	1654	1714	1753	1812	1911	2057
B24FHWWBD	1631	1680	1712	1773	1814	1875	1977	2128



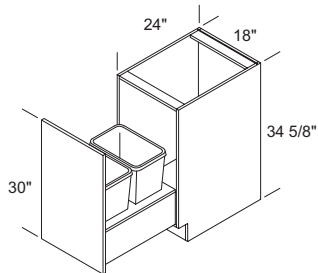
B18WWBD



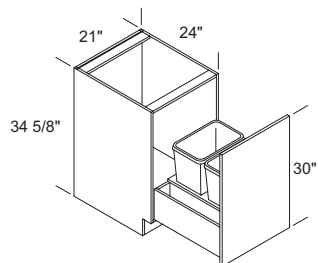
B21WWBD



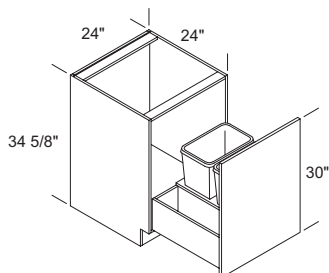
B24WWBD



B18FHWWBD



B21FHWWBD



B24FHWWBD

PRODUCT DETAILS

- Two 33 litre/35 quart grey removable waste bin with wood hardwood and full extension Smart Stop soft-closing guides
- B18WWBD, B18FHWWBD does not have a storage compartment
- B21WWBD, B21FHWWBD left side storage compartment size 4 3/8" x 20"
- B24WWBD, B24FHWWBD left side storage compartment size 7 3/8" x 20"

base cabinets

1 2 3 4 5 6 7 8

Base - Recycling Center,
Top Mount Pullout



Two recycling bins are 36.9qt/35L and one recycling bin is 22.1qt/21L

B24RCC	2038	2102	2143	2222	2275	2354	2486	2681
B24FHRCC	2038	2102	2143	2222	2275	2354	2486	2681

PRODUCT DETAILS

- Choose from two options: one door with one drawer, or one full height door
- Door is mounted to the front of hardware

Base - Single Waste Bin,
Bottom Mount Pullout



Waste Bin is 33.7 quarts/32 litres

B12SPOWB12	877	926	958	1018	1059	1119	1221	1371
B12FHSPPOWB12	877	926	958	1018	1059	1119	1221	1371

PRODUCT DETAILS

- Choose from two options: one door with one drawer, or one full height door
- Door can be mounted left or right
- Hardware is mounted to bottom of cabinet

Base - Double Waste Bin,
Bottom Mount Pullout



Waste Bins are 33.7 quarts/32 litres

B15DPOWB15	1147	1200	1234	1301	1346	1411	1520	1683
B18DPOWB18	1177	1233	1272	1342	1388	1459	1577	1750
B15FHDPPOWB15	1053	1095	1122	1174	1209	1260	1347	1475
B18FHDPPOWB18	1078	1123	1152	1208	1245	1300	1393	1530

PRODUCT DETAILS

- Choose from two options: one door with one drawer, or one full height door
- Door can be mounted left or right
- Hardware is mounted to bottom of cabinet

Base Pullout



B6FHPOB6R(R)	1041	1073	1095	1136	1163	1203	1271	1371
B9FHPOB9(L/R)	1135	1170	1194	1238	1268	1312	1386	1495
B12FHPOB12(L/R)	1212	1250	1276	1324	1356	1404	1484	1603

PRODUCT DETAILS

- Image on the left shows a B6FHPOB6 (undermount hardware); image on the right shows a B12FHPOB12L (left mounted hardware)
- Comes with full extension soft close glides
- Chrome finish
- Door is mounted to the front of hardware
- L or R indicates side of the cabinet on which pullout hardware is mounted for 9" or 12" widths

(L/R) specify L (hinge left) or R (hinge right) to cabinet code

base cabinets

1	2	3	4	5	6	7	8
---	---	---	---	---	---	---	---

Base Pullout - Towel Bar 6"



B6FHPOTB	1031	1063	1085	1126	1153	1193	1261	1361
----------	------	------	------	------	------	------	------	------

PRODUCT DETAILS

- Hardware requires minimum depth of 24"
- Door is mounted to front of hardware

Base Pullout - Pots and Pans



B15FHPAN(L/R)	1437	1479	1506	1558	1593	1644	1731	1859
B16.5FHPAN(L/R)	1450	1493	1521	1575	1611	1664	1754	1886
B18FHPAN(L/R)	1462	1507	1536	1592	1629	1684	1777	1914
B19.5FHPAN(L/R)	1475	1521	1551	1609	1647	1704	1800	1942
B21FHPAN(L/R)	1487	1535	1566	1626	1665	1724	1823	1969
B24FHPAN(L/R)	1500	1549	1681	1642	1683	1744	1846	1997
B30FHPAN(L/R)	1580	1638	1677	1750	1799	1872	1994	2175
B33FHPAN(L/R)	1609	1671	1712	1790	1841	1919	2048	2239
B36FHPAN(L/R)	1638	1704	1747	1829	1884	1966	2102	2304
B39FHPAN(L/R)	1667	1736	1782	1868	1926	2012	2156	2369
B42FHPAN(L/R)	1696	1769	1817	1908	1968	2059	2210	2433
B45-2FHPAN(L/R)	1725	1801	1852	1947	2010	2105	2264	2498
B48-2FHPAN(L/R)	1754	1834	1887	1986	2053	2152	2318	2563

PRODUCT DETAILS

- 15"-24" wide units will have 1 door, no adjustable shelf
- 30"-48" wide units will have 2 doors, no adjustable shelf
- No shelves
- Comes with 7 hooks
- 100 lb weight capacity
- Minimum depth is 24"
- 30" wide has no center stile
- Use L or R after code to indicate the side to install the pot and pan pullout

Base - Mixer Shelf



B15FHMXS(L/R)	1299	1341	1368	1420	1455	1506	1593	1721
---------------	------	------	------	------	------	------	------	------

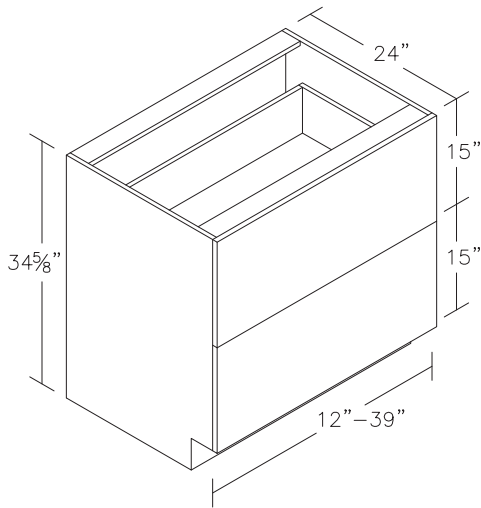
PRODUCT DETAILS

- 1 full height door
- Shelf locks into place at countertop height
- Mixer shelf is 15" deep when inside the unit
- Maximum appliance height is 14 1/4"
- Maximum appliance weight is 25 lbs

(L/R) specify L (hinge left) or R (hinge right) to cabinet code

base cabinets

Base Drawer - 2 Vertical

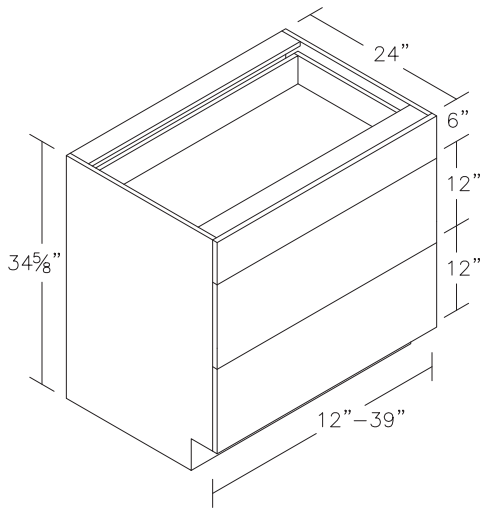


	1	2	3	4	5	6	7	8
BD122V	535	535	535	535	535	535	535	588
BD13.52V	579	579	579	579	579	579	579	637
BD152V	625	625	625	625	625	625	625	688
BD16.52V	671	671	671	671	671	671	671	738
BD182V	687	687	687	687	687	687	687	756
BD19.52V	731	731	731	731	731	731	731	804
BD212V	775	775	775	775	775	775	775	852
BD242V	819	819	819	819	819	819	819	900
BD272V	862	862	862	862	862	862	862	948
BD302V	905	905	905	905	905	905	905	996
BD332V	989	989	989	989	989	989	989	1088
BD362V	1034	1034	1034	1034	1034	1034	1034	1137
BD392V	1080	1080	1080	1080	1080	1080	1080	1187

PRODUCT DETAILS

- 2 vertical drawers

Base Drawer - 3 Vertical



BD123V	589	589	589	589	589	589	589	648
BD13.53V	651	651	651	651	651	651	651	716
BD153V	651	651	651	651	651	651	651	716
BD16.53V	707	707	707	707	707	707	707	778
BD183V	707	707	707	707	707	707	707	778
BD19.53V	765	765	765	765	765	765	765	842
BD213V	765	765	765	765	765	765	765	842
BD243V	824	824	824	824	824	824	824	906
BD273V	882	882	882	882	882	882	882	970
BD303V	943	943	943	943	943	943	943	1038
BD333V	1007	1007	1007	1007	1007	1007	1007	1107
BD363V	1077	1077	1077	1077	1077	1077	1077	1185
BD393V	1132	1132	1132	1132	1132	1132	1132	1245

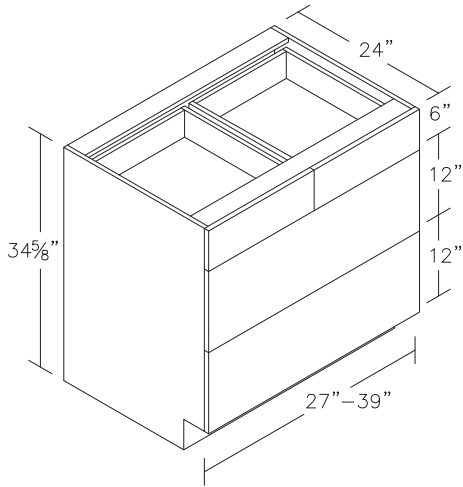
PRODUCT DETAILS

- 3 vertical drawers

base cabinets

	1	2	3	4	5	6	7	8
--	---	---	---	---	---	---	---	---

Base Drawer - 4 Split

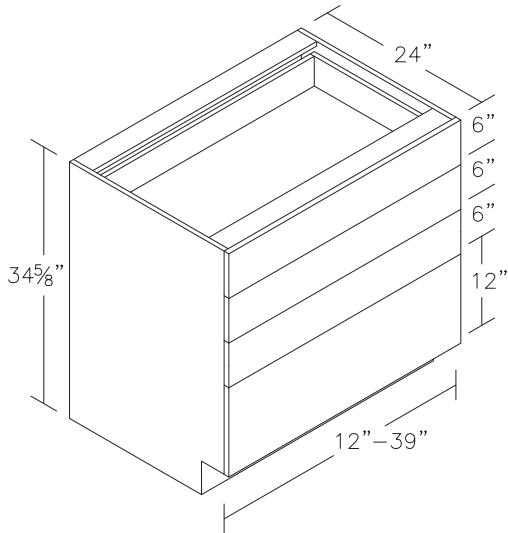


BD274S	989	989	989	989	989	989	989	1088
BD304S	1038	1038	1038	1038	1038	1038	1038	1142
BD334S	1075	1075	1075	1075	1075	1075	1075	1183
BD364S	1124	1124	1124	1124	1124	1124	1124	1237
BD394S	1178	1178	1178	1178	1178	1178	1178	1296

PRODUCT DETAILS

- 4 drawers, 2 small drawers on top, 2 full width drawers on the bottom

Base Drawer - 4 Vertical

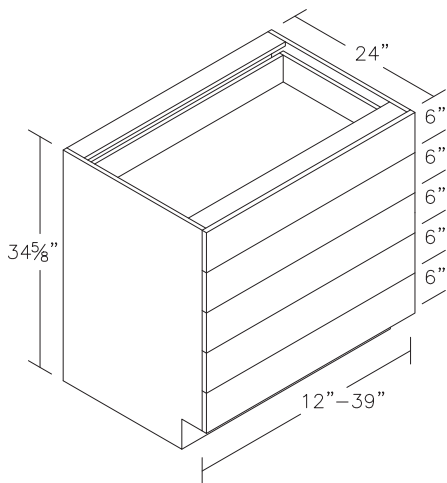


BD124V	642	642	642	642	642	642	642	706
BD13.54V	697	697	697	697	697	697	697	766
BD154V	697	697	697	697	697	697	697	766
BD16.54V	748	748	748	748	748	748	748	823
BD184V	748	748	748	748	748	748	748	823
BD19.54V	803	803	803	803	803	803	803	883
BD214V	803	803	803	803	803	803	803	883
BD244V	850	850	850	850	850	850	850	935
BD274V	974	974	974	974	974	974	974	1072
BD304V	1026	1026	1026	1026	1026	1026	1026	1129
BD334V	1081	1081	1081	1081	1081	1081	1081	1189
BD364V	1135	1135	1135	1135	1135	1135	1135	1248
BD394V	1189	1189	1189	1189	1189	1189	1189	1308

PRODUCT DETAILS

- 4 vertical drawers

Base Drawer - 5 Vertical



BD125V	736	736	736	736	736	736	736	810
BD155V	828	828	828	828	828	828	828	911
BD185V	878	878	878	878	878	878	878	966
BD215V	930	930	930	930	930	930	930	1023
BD245V	982	982	982	982	982	982	982	1080
BD275V	1034	1034	1034	1034	1034	1034	1034	1137
BD305V	1097	1097	1097	1097	1097	1097	1097	1207
BD335V	1151	1151	1151	1151	1151	1151	1151	1266
BD365V	1205	1205	1205	1205	1205	1205	1205	1326
BD395V	1259	1259	1259	1259	1259	1259	1259	1385

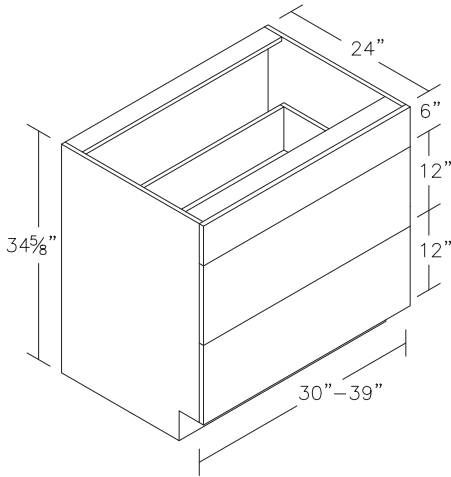
PRODUCT DETAILS

- 5 vertical drawers

base cabinets

1 2 3 4 5 6 7 8

Base Drawer - 3 Vertical, False Front

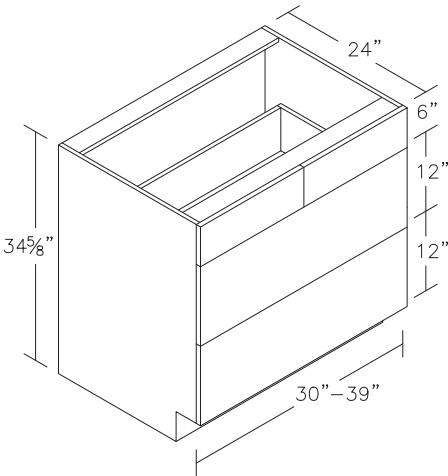


BD303VFF	1019	1019	1019	1019	1019	1019	1019	1121
BD333VFF	1051	1051	1051	1051	1051	1051	1051	1157
BD363VFF	1102	1102	1102	1102	1102	1102	1102	1213
BD393VFF	1156	1156	1156	1156	1156	1156	1156	1272

PRODUCT DETAILS

- 1 false front on the top, 2 full width drawers on the bottom

Base Drawer - 4 Split, False Front

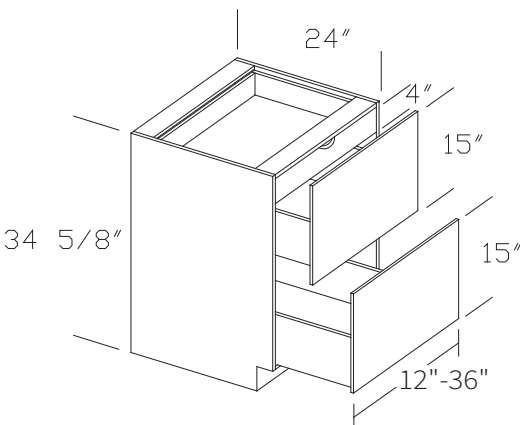


BD304SFF	1019	1019	1019	1019	1019	1019	1019	1121
BD334SFF	1051	1051	1051	1051	1051	1051	1051	1157
BD364SFF	1102	1102	1102	1102	1102	1102	1102	1213
BD394SFF	1156	1156	1156	1156	1156	1156	1156	1272

PRODUCT DETAILS

- 2 false fronts on the top, 2 full width drawers on the bottom

Base Drawer with Hidden Drawer



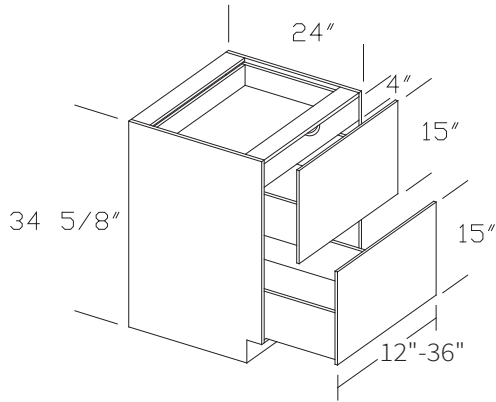
BD122VHD	648	648	648	648	648	648	648	713
BD13.52VHD	716	716	716	716	716	716	716	788
BD152VHD	716	716	716	716	716	716	716	788
BD16.52VHD	778	778	778	778	778	778	778	856
BD182VHD	778	778	778	778	778	778	778	856
BD19.52VHD	842	842	842	842	842	842	842	926
BD212VHD	842	842	842	842	842	842	842	926
BD24VHD	906	906	906	906	906	906	906	997
BD272VHD	970	970	970	970	970	970	970	1067
BD302VHD	1037	1037	1037	1037	1037	1037	1037	1142
BD332VHD	1108	1108	1108	1108	1108	1108	1108	1218
BD362VHD	1185	1185	1185	1185	1185	1185	1185	1304

PRODUCT DETAILS

- 3 vertical drawers
- Only available in double wall steel and wood drawer boxes

BASE

Base Drawer with 2 Hidden Drawers

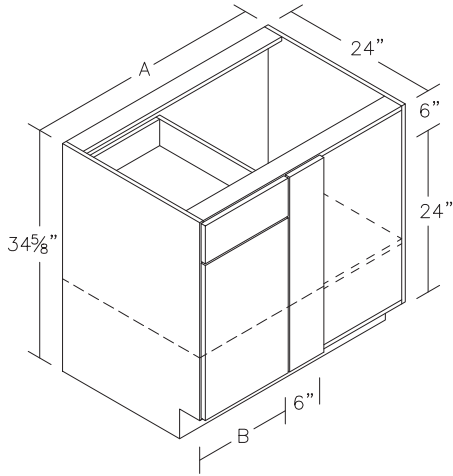


BD122V2HD	1063	1063	1063	1063	1063	1063	1063	1128
BD13.52V2HD	1131	1131	1131	1131	1131	1131	1131	1203
BD152V2HD	1131	1131	1131	1131	1131	1131	1131	1203
BD16.52V2HD	1193	1193	1193	1193	1193	1193	1193	1271
BD182V2HD	1193	1193	1193	1193	1193	1193	1193	1271
BD19.52V2HD	1257	1257	1257	1257	1257	1257	1257	1341
BD212V2HD	1257	1257	1257	1257	1257	1257	1257	1341
BD242V2HD	1321	1321	1321	1321	1321	1321	1321	1412
BD272V2HD	1385	1385	1385	1385	1385	1385	1385	1482
BD302V2HD	1452	1452	1452	1452	1452	1452	1452	1557
BD332V2HD	1523	1523	1523	1523	1523	1523	1523	1633
BD362V2HD	1600	1600	1600	1600	1600	1600	1600	1719

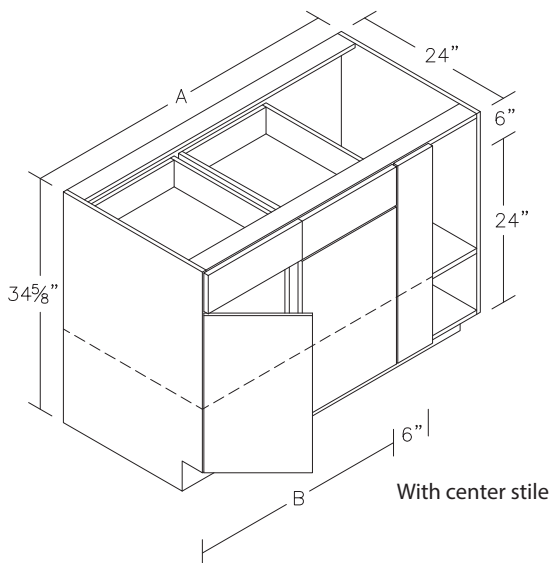
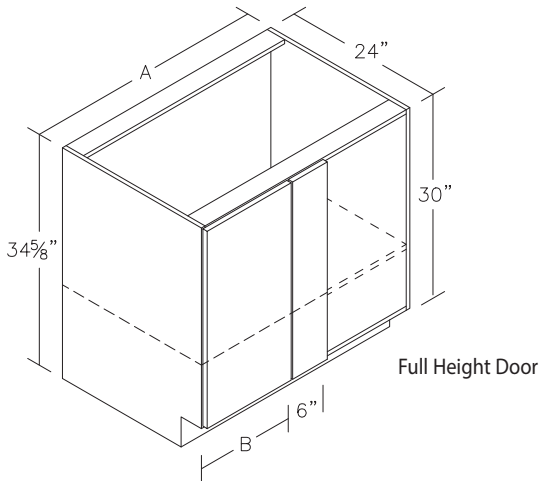
PRODUCT DETAILS

- 4 vertical drawers
- Only available in double wall steel and wood drawer boxes

Base Corner Blind



LEGEND
 A = cabinet width
 B = door width



BC(L/R)3012	498	558	598	673	723	799	922	1108
BC(L/R)3615	551	618	661	746	801	883	1021	1225
BC(L/R)4218	592	664	709	799	858	946	1094	1314
BC(L/R)4521	653	731	784	882	947	1045	1208	1450

PRODUCT DETAILS

- Choose from two options: one door with one drawer, or one full height door
- 1 adjustable shelf
- Includes a front panel
- 6" filler on the blind side
- Hinging is on the filler side
- (L/R) specify L (door on left) or R (door on right) in cabinet code
- Drawing shows BCL.

DESIGN CONSIDERATIONS

- Minimum pullout does not allow for hardware clearance

A Cabinet Width	B Door Width	Minimum Pull	Maximum Pull
30"	12"	37"	42"
36"	15"	40"	45"
42"	18"	43"	48"
45"	21"	46"	51"
48"	33"	58"	63"

BC(L/R)3012FH	465	521	558	628	675	745	861	1033
BC(L/R)3615FH	519	582	623	701	753	831	961	1152
BC(L/R)4218FH	573	643	687	775	832	917	1061	1273
BC(L/R)4521FH	629	705	755	850	913	1007	1165	1398

BC(L/R)4833	887	993	1064	1197	1286	1419	1641	1969
BSC(L/R)4833	843	945	1012	1139	1223	1350	1561	1873

PRODUCT DETAILS

- 2 doors
- 1 adjustable shelf
- BC has 2 drawers
- BSC has 2 false fronts and no adjustable shelf
- Includes a front panel
- 6" filler on the blind side
- (L/R) specify L (door on left) or R (door on right) in cabinet code.
- Drawing shows BCL.

DESIGN CONSIDERATIONS

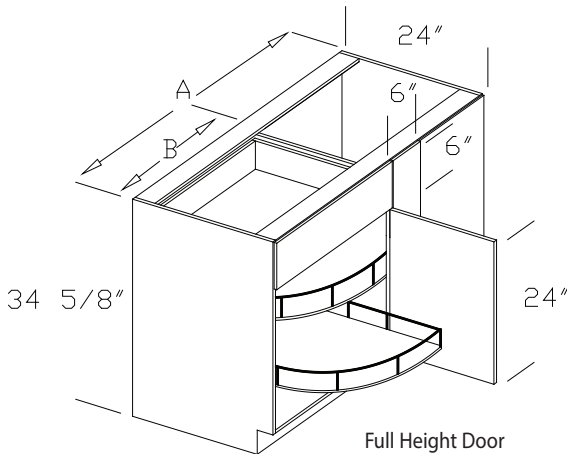
- Minimum pull=58", Maximum pull=63"

(L/R) specify L (hinge left) or R (hinge right) to cabinet code

base cabinets

	1	2	3	4	5	6	7	8
--	---	---	---	---	---	---	---	---

Base Corner -Easy Glide Blind Base Rollout



LEGEND

A = cabinet width
B = door width

BC(L/R)4218LBC	2954	3025	3071	3161	3220	3308	3456	3675
BC(L/R)4521LBC	3015	3093	3146	3244	3309	3407	3570	3812
BC(L/R)4218LBCFH	2867	2940	2986	3077	3137	3225	3375	3595
BC(L/R)4521LBCFH	2926	3005	3057	3155	3221	3318	3483	3725

PRODUCT DETAILS

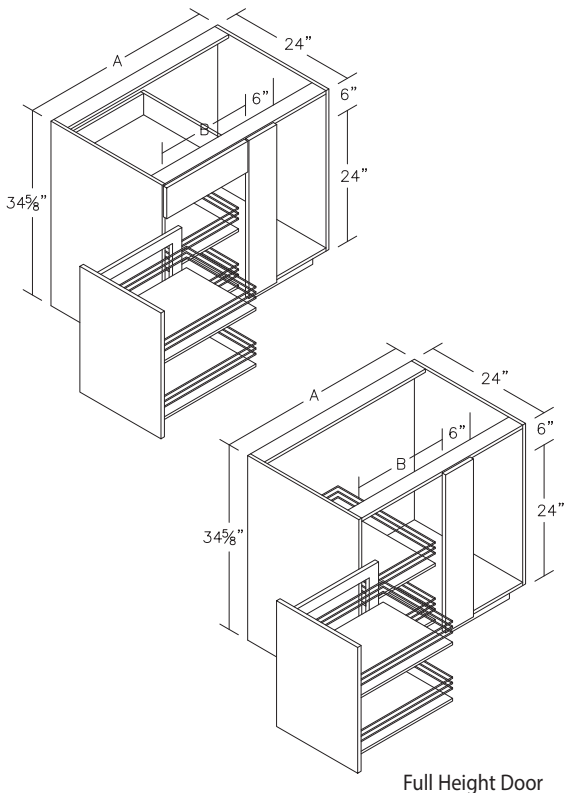
- Choose from two options: one door with one drawer, or one full height door
- Includes a front panel
- 6" filler on the blind side
- Hinging is on the filler side
- Top and Bottom shelves of rollout operate independently
- The bottom shelf of the Easy Glide Base Rollout hardware is attached to the door
- (L/R) specify L (door on left) or R (door on right) in cabinet code
- Drawing shows BCL

DESIGN CONSIDERATIONS

- Minimum pullout does not allow for hardware clearance
- Modifications cannot be made to the door size or the hardware will not fit properly

Unit	Cabinet Width	Door Width	Minimum Pull	Maximum Pull
BC(L/R)4218LBC and BC(L/R)4218LBCFH	42"	18"	43"	48"
BC(L/R)4521LBC and BC(L/R)4521LBCFH	45"	21"	46"	51"

Base Corner Blind - with Magic Corner Pullout



BC(L/R)3618MC	3648	3715	3759	3843	3898	3980	4118	4322
BC(L/R)4218MC	3689	3758	3802	3888	3945	4030	4172	4383
BC(L/R)3618MCFH	3539	3603	3646	3728	3781	3861	3995	4193
BC(L/R)4218MCFH	3578	3645	3688	3771	3826	3909	4047	4251

PRODUCT DETAILS

- Choose from two options: one door with one drawer, or one full height door
- Includes a front panel
- 6" filler on the blind side
- Hinging is on the filler side
- Chrome
- Door is mounted to front of hardware
- (L/R) specify L (door on left) or R (door on right) in cabinet code
- Drawing shows BCL

DESIGN CONSIDERATIONS

- Minimum pullout does not allow for hardware clearance
- Modifications cannot be made to the door size or the hardware will not fit properly

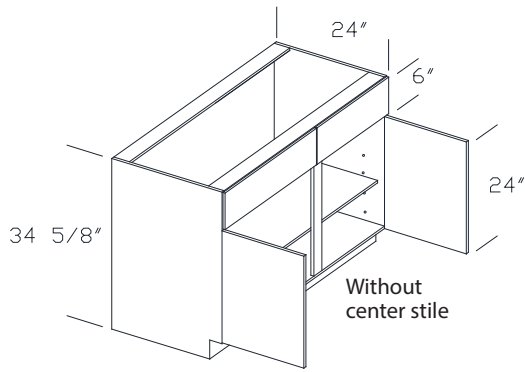
Unit	Cabinet Width	Door Width	Minimum Pull	Maximum Pull
BC(L/R)3618MC and BC(L/R)3618MCFH	36"	18"	42"	45"
BC(L/R)4218MC AND BC(L/R)4218MCFH	42"	18"	43"	48"

(L/R) specify L (hinge left) or R (hinge right) to cabinet code

base cabinets

1 2 3 4 5 6 7 8

Base with False Front

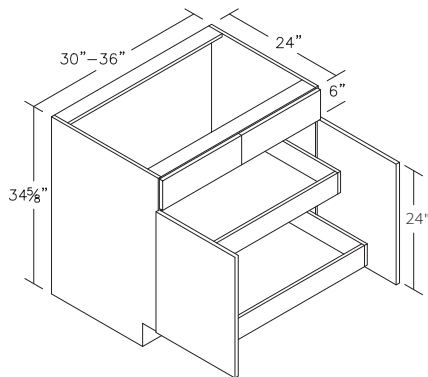


B30FF	653	731	784	882	947	1045	1208	1450
B33FF	676	757	811	913	980	1082	1250	1501
B36FF	702	786	842	947	1018	1123	1299	1559

PRODUCT DETAILS

- 2 doors, 2 false fronts
- 1 adjustable shelf
- 30" width has no center stile

Base with False Front and Slide Out Trays



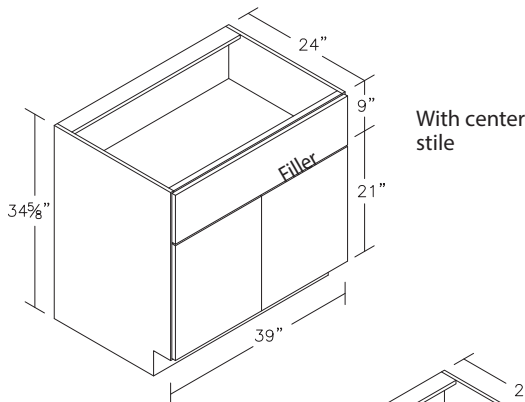
B30FFSOT2	889	970	1023	1125	1192	1293	1461	1710
B33FFSOT2	917	1002	1058	1163	1233	1337	1513	1772
B36FFSOT2	944	1032	1090	1199	1272	1381	1563	1832

PRODUCT DETAILS

- 2 doors, 2 false fronts
- 2 slide out trays - standard placement only,* configured from the bottom
- Pricing based on SWS (single wall steel) drawer box with SOT's

*Standard placement is 1" from the bottom and 12" between trays

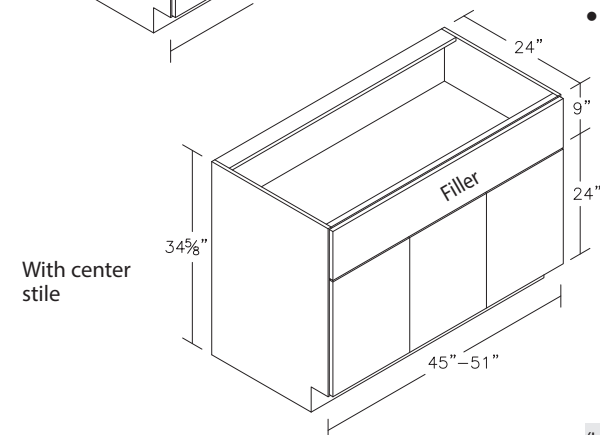
Base - Drop Down Cooktop



BDC39	583	653	700	787	846	932	1078	1294
BDC45(L/R)	804	900	965	1085	1165	1286	1487	1785
BDC51(L/R)	862	966	1034	1164	1250	1379	1594	1914

PRODUCT DETAILS

- 39" wide cabinet has 2 doors, 1 filler
- 45" wide and 51" wide units have 3 doors, 1 filler
- 1 adjustable shelf
- 5/8" fixed shelf above the doors
- Center stile
- Hinge designation is for center door



(L/R) specify L (hinge left) or R (hinge right) to cabinet code

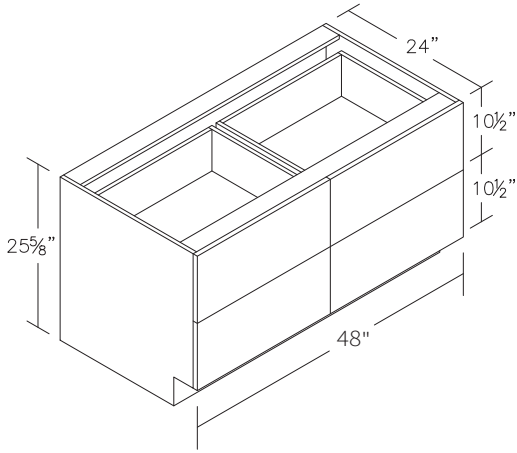
base cabinets

1 2 3 4 5 6 7 8

Base - Range Drawer

BRD484S

1571 1571 1571 1571 1571 1571 1571 1729

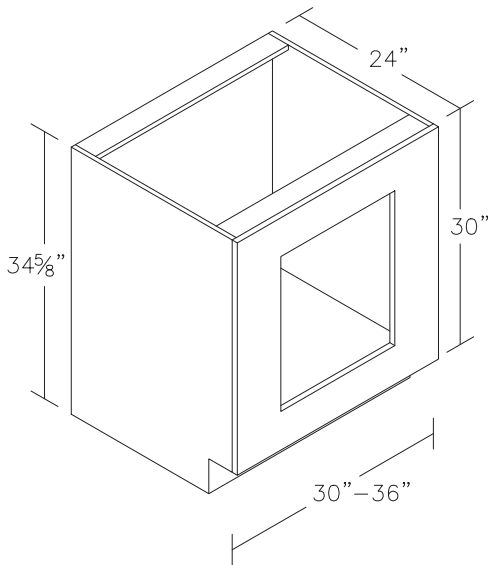


PRODUCT DETAILS

- 4 drawers
- For use with cooktop units

Base - Oven

BOV30	659	659	659	659	659	659	659	725
BOV33	680	680	680	680	680	680	680	748
BOV36	711	711	711	711	711	711	711	782

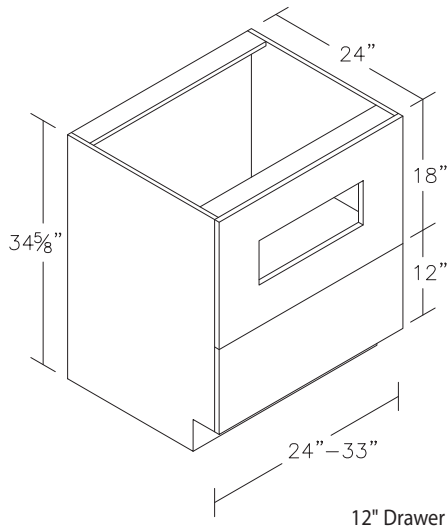
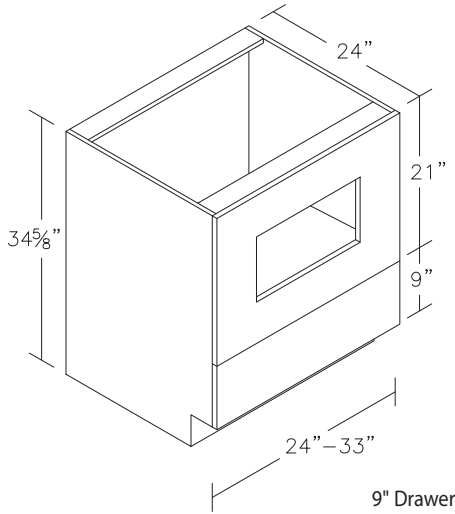


PRODUCT DETAILS

- No doors, no drawers
- Profile on the cutout will match the profile of the door style

	Panel Size W x H	Opening Width	Opening Height	Max Width	Max Height
BOV30	29 ⁷ / ₈ " x 29 ⁷ / ₈ "	17"	20"	26 ⁷ / ₈ "	26 ⁷ / ₈ "
BOV33	32 ⁷ / ₈ " x 29 ⁷ / ₈ "	17"	20"	29 ⁷ / ₈ "	26 ⁷ / ₈ "
BOV36	35 ⁷ / ₈ " x 29 ⁷ / ₈ "	17"	20"	32 ⁷ / ₈ "	26 ⁷ / ₈ "

Base - Microwave with Drawer



BMW24-91V	640	640	640	640	640	640	640	704
BMW27-91V	664	664	664	664	664	664	664	730
BMW30-91V	694	694	694	694	694	694	694	763
BMW33-91V	728	728	728	728	728	728	728	801

PRODUCT DETAILS

- No doors, one 9" drawer
- Oven filler profile will match the door

	Panel Size W x H	Opening Width	Opening Height	Max Width	Max Height
BMW24-91V	23 ⁷ / ₈ " x 20 ⁷ / ₈ "	17"	9 ¹ / ₄ "	20 ⁷ / ₈ "	17 ⁷ / ₈ "
BMW27-91V	26 ⁷ / ₈ " x 20 ⁷ / ₈ "	17"	9 ¹ / ₄ "	23 ⁷ / ₈ "	17 ⁷ / ₈ "
BMW30-91V	29 ⁷ / ₈ " x 20 ⁷ / ₈ "	17"	9 ¹ / ₄ "	26 ⁷ / ₈ "	17 ⁷ / ₈ "
BMW33-91V	32 ⁷ / ₈ " x 20 ⁷ / ₈ "	17"	9 ¹ / ₄ "	29 ⁷ / ₈ "	17 ⁷ / ₈ "

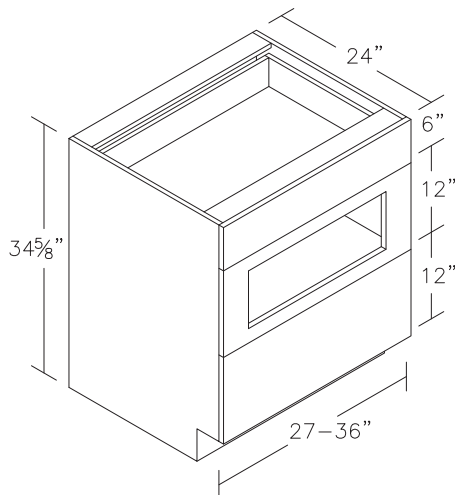
BMW24-121V	640	640	640	640	640	640	640	704
BMW27-121V	664	664	664	664	664	664	664	730
BMW30-121V	694	694	694	694	694	694	694	763
BMW33-121V	728	728	728	728	728	728	728	801

PRODUCT DETAILS

- No doors, one 12" drawer
- Oven filler profile will match the door

	Panel Size W x H	Opening Width	Opening Height	Max Width	Max Height
BMW24-121V	23 ⁷ / ₈ " x 17 ⁷ / ₈ "	17"	6 ¹ / ₄ "	20 ⁷ / ₈ "	14 ⁷ / ₈ "
BMW27-121V	26 ⁷ / ₈ " x 17 ⁷ / ₈ "	17"	6 ¹ / ₄ "	23 ⁷ / ₈ "	14 ⁷ / ₈ "
BMW30-121V	29 ⁷ / ₈ " x 17 ⁷ / ₈ "	17"	6 ¹ / ₄ "	26 ⁷ / ₈ "	14 ⁷ / ₈ "
BMW33-121V	32 ⁷ / ₈ " x 17 ⁷ / ₈ "	17"	6 ¹ / ₄ "	29 ⁷ / ₈ "	14 ⁷ / ₈ "

Base - Warming Drawer



BWD27	926	926	926	926	926	926	926	1018
BWD30	990	990	990	990	990	990	990	1089
BWD33	1058	1058	1058	1058	1058	1058	1058	1163
BWD36	1112	1112	1112	1112	1112	1112	1112	1223

PRODUCT DETAILS

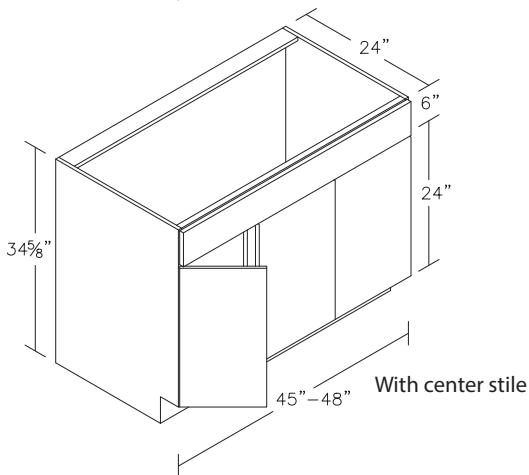
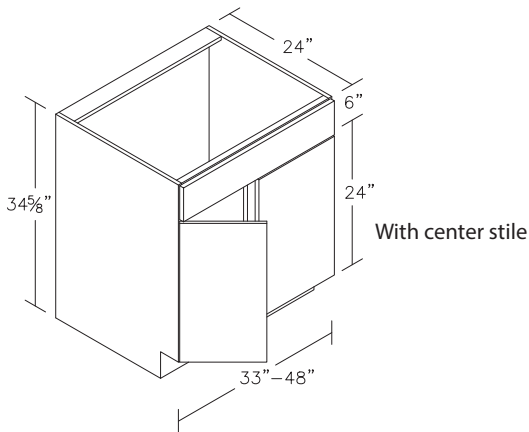
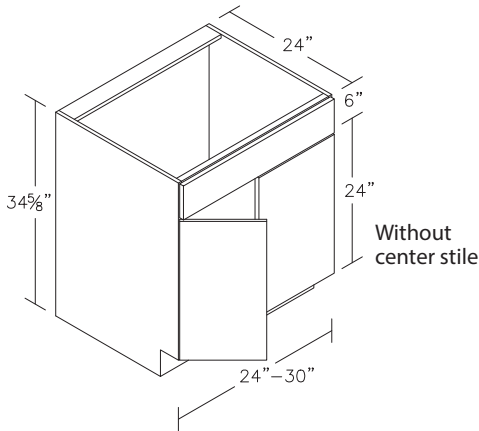
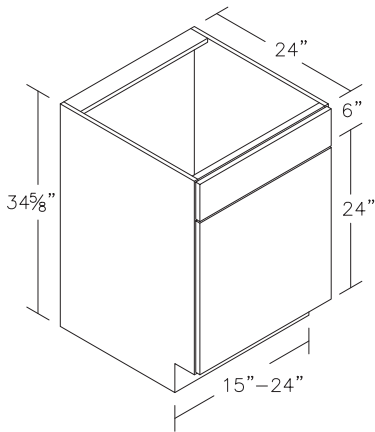
- 2 drawers
- 5/8" fixed shelf above bottom drawer
- Oven filler profile will match the door

	Panel Size W x H	Opening Width	Opening Height	Max Width	Max Height
BWD27	26 ⁷ / ₈ " x 11 ⁷ / ₈ "	17"	6 ¹ / ₄ "	23 ⁷ / ₈ "	8 ⁷ / ₈ "
BWD30	29 ⁷ / ₈ " x 11 ⁷ / ₈ "	17"	6 ¹ / ₄ "	26 ⁷ / ₈ "	8 ⁷ / ₈ "
BWD33	32 ⁷ / ₈ " x 11 ⁷ / ₈ "	17"	6 ¹ / ₄ "	29 ⁷ / ₈ "	8 ⁷ / ₈ "
BWD36	35 ⁷ / ₈ " x 11 ⁷ / ₈ "	17"	6 ¹ / ₄ "	32 ⁷ / ₈ "	8 ⁷ / ₈ "

base cabinets

1 2 3 4 5 6 7 8

Sink Base



SB15(L/R)	286	320	343	385	414	457	528	633
SB18(L/R)	303	340	363	409	439	485	561	672
SB21(L/R)	350	393	421	472	509	561	648	778
SB24(L/R)	424	475	509	572	615	678	784	941

PRODUCT DETAILS

- 1 door, 1 false front
- No adjustable shelf
- Full height door available

SB24-2	408	457	489	550	592	652	754	905
SB27	470	526	565	634	682	753	870	1045
SB30	494	553	593	668	718	790	914	1097
SB33	509	569	610	686	737	813	941	1129
SB36	526	590	631	710	763	842	974	1169
SB39	548	615	657	739	795	877	1015	1218
SB42	561	627	673	756	812	896	1036	1244
SB45-2	574	644	688	776	833	919	1062	1275
SB48-2	590	659	707	796	855	943	1090	1308

PRODUCT DETAILS

- 2 doors, 1 false front
- No adjustable shelf
- 24", 27" and 30" widths have no center stile
- Full height door available

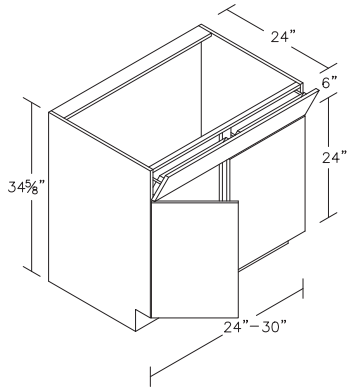
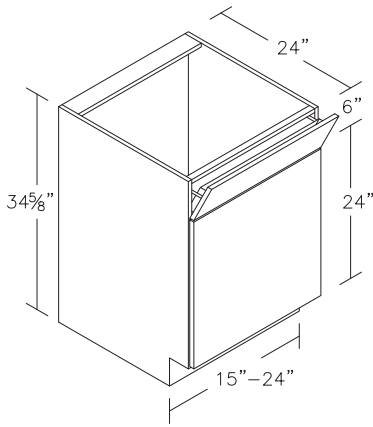
SB45-3(L/R)	685	768	823	926	994	1097	1269	1523
SB48-3(L/R)	704	788	844	951	1021	1127	1302	1563

PRODUCT DETAILS

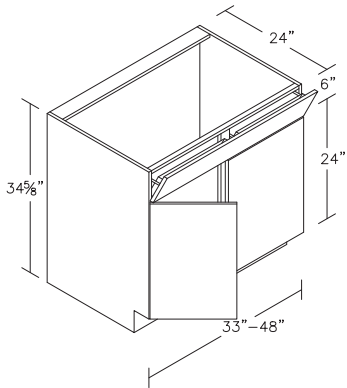
- 3 doors, 1 false front
- No adjustable shelf
- Hinge designation is for center door
- Full height door available

(L/R) specify L (hinge left) or R (hinge right) to cabinet code

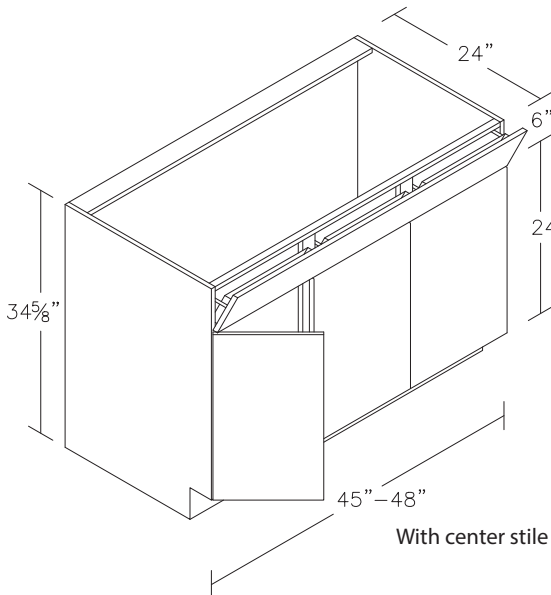
Sink Base - with Tilt Out Trays



Without center stile



With center stile



With center stile

SB15(L/R)TO	420	454	477	519	548	591	662	768
SB18(L/R)TO	437	474	497	543	573	619	695	806
SB21(L/R)TO	485	527	555	606	643	695	782	912
SB24(L/R)TO	558	609	643	706	749	812	918	1075

PRODUCT DETAILS

- 1 door, 1 false front with tilt out
- No adjustable shelf

SB24-2TO2	676	725	757	818	860	920	1022	1173
SB27TO2	738	795	833	903	951	1021	1139	1314
SB30TO2	762	822	861	936	986	1059	1182	1366
SB33TO2	777	837	879	955	1006	1082	1210	1398
SB36TO2	795	858	900	979	1032	1111	1243	1437
SB39TO2	816	883	926	1008	1063	1145	1283	1486
SB42TO2	829	895	941	1024	1081	1165	1304	1512
SB45-2TO2	842	912	957	1044	1101	1188	1330	1543
SB48-2TO2	858	928	976	1064	1123	1212	1358	1577

PRODUCT DETAILS

- 2 doors, 1 false front with tilt outs
- No adjustable shelf

SB45-3(L/R)TO3	1087	1170	1225	1328	1396	1499	1671	1925
SB48-3(L/R)TO3	1106	1190	1246	1353	1423	1529	1704	1965

PRODUCT DETAILS

- 3 doors, 1 false front with tilt outs
- No adjustable shelf
- Hinge designation is for center door

(L/R) specify L (hinge left) or R (hinge right) to cabinet code

base cabinets

	1	2	3	4	5	6	7	8
--	---	---	---	---	---	---	---	---

Sink Base - with Sliding Utility Basket



SB30UB(L/R)	2212	2271	2310	2385	2435	2508	2632	2815
SB33UB(L/R)	2226	2287	2328	2404	2455	2531	2659	2847
SB36UB(L/R)	2244	2307	2349	2428	2481	2560	2692	2887
SB39UB(L/R)	2266	2332	2375	2457	2512	2594	2733	2936
SB42UB(L/R)	2278	2345	2391	2474	2530	2614	2754	2962
SB45-2UB(L/R)	2292	2361	2406	2494	2551	2637	2780	2993
SB48-2UB(L/R)	2307	2377	2425	2513	2573	2661	2808	3026

PRODUCT DETAILS

- 2 doors, 1 false front, no adjustable shelf
- 30" widths have no center stile
- Indicate Left (L) or Right (R) after code to indicate the side to install the utility basket

Sink Base with Round Waste Bin



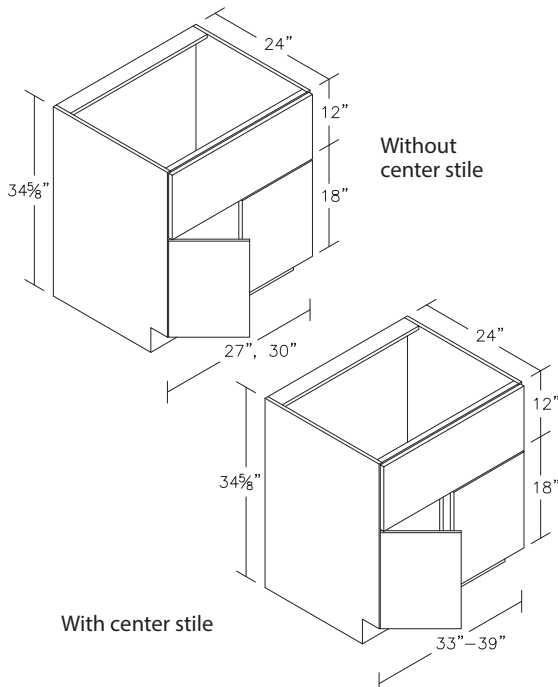
Waste Bin is 15 Liters or 15.8 Quarts

SB33RWB(L/R)	805	865	907	983	1034	1110	1238	1426
SB36RWB(L/R)	823	886	928	1007	1060	1139	1271	1465
SB39RWB(L/R)	844	911	954	1036	1091	1173	1311	1514
SB42RWB(L/R)	857	924	969	1052	1109	1193	1332	1540
SB45-2RWB(L/R)	870	940	985	1072	1129	1216	1358	1571
SB48-2RWB(L/R)	886	956	1004	1092	1151	1240	1386	1605

PRODUCT DETAILS

- 2 doors, 1 false front, no adjustable shelf
- Center stile
- Bin swings out with door
- Indicate Left (L) or Right (R) after code to indicate the side to install the waste bin

Base - Farm Sink



BFS27	478	536	573	646	694	764	885	1062
BFS30	501	562	601	676	726	802	927	1113
BFS33	517	578	621	698	750	828	956	1147
BFS36	535	598	642	722	775	855	989	1187
BFS39	553	620	665	748	803	886	1024	1229

PRODUCT DETAILS

- 2 doors, 1 profiled filler
- No adjustable shelf
- 27" and 30" widths have no center stile

DESIGN CONSIDERATIONS

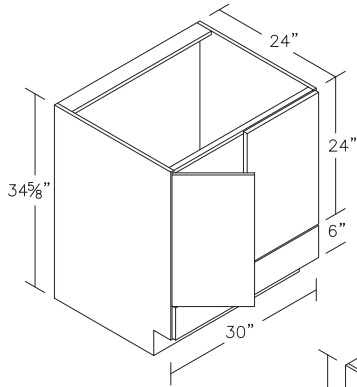
- For use with apron sink

(L/R) specify L (hinge left) or R (hinge right) to cabinet code

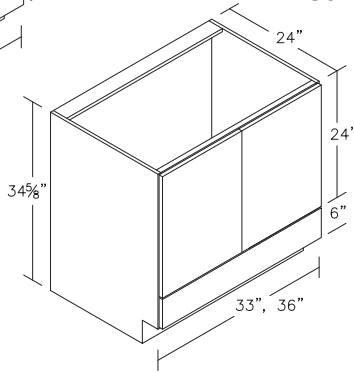
base cabinets

1 2 3 4 5 6 7 8

Sink Base - Inverted



Without center stile



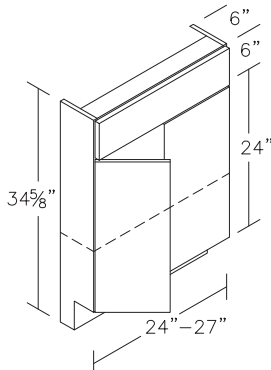
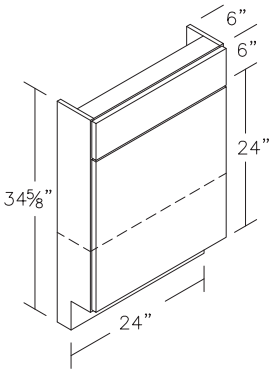
With center stile

SBN30	707	791	849	955	1025	1132	1308	1570
SBN33	732	820	878	989	1062	1171	1354	1624
SBN36	760	851	913	1026	1102	1217	1407	1689

PRODUCT DETAILS

- 2 doors, 1 drawer
- No adjustable shelf
- 30" widths have no center stile

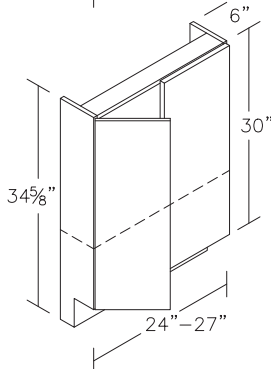
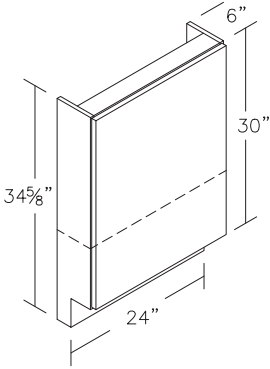
Sink Base - Cabinet Front Only



SB24CFO(L/R)	322	361	387	435	467	516	596	716
SB24-2CFO	309	346	371	417	449	495	572	686
SB27CFO	358	401	430	484	519	573	661	795

PRODUCT DETAILS

- 2 doors, 1 false front (SB24CFO has 1 door)
- Total shelf depth when installed is 24"
- Floor is shipped separately



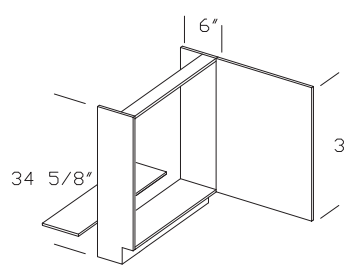
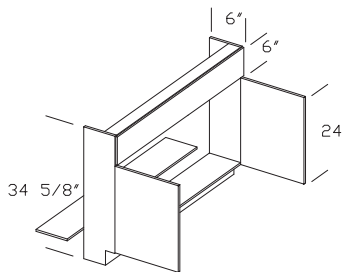
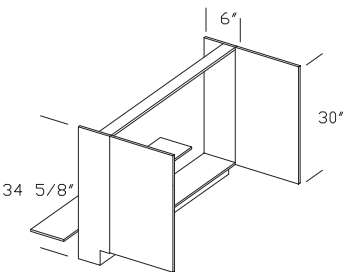
SB24FHCFO(L/R)	322	361	387	435	467	516	596	716
SB24-2FHCFO	309	346	371	417	449	495	572	686
SB27FHCFO	358	401	430	484	519	573	661	795

PRODUCT DETAILS

- 2 full height doors (SB24FHCFO has 1 door)
- Total shelf depth when installed is 24"
- Floor is shipped separately

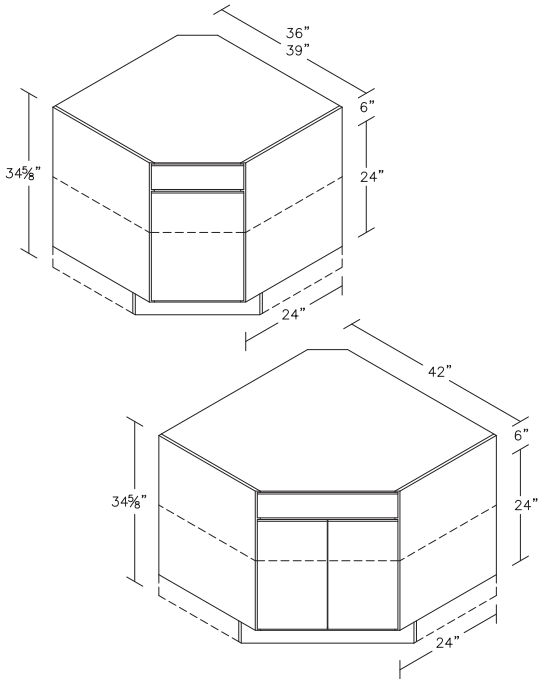
Full Height Door

Full Height Door



(L/R) specify L (hinge left) or R (hinge right) to cabinet code

Base - Angle Sink Corner



BAS36(L/R)	841	942	1010	1136	1220	1347	1557	1868
BAS39(L/R)	881	986	1057	1189	1276	1408	1629	1954
BAS42-2	910	1019	1091	1227	1319	1456	1683	2020

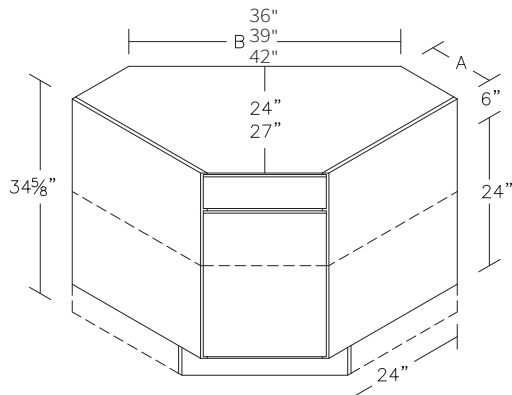
PRODUCT DETAILS

- 1 door, 1 false front
- No adjustable shelf
- 110° hinges
- BAS36 has a 15 7/8" wide door and front
- BAS39 has a 20 1/2" wide door and front
- BA42-2 has 12 5/8" wide doors and 1 - 24 13/32" front
- Comes with solid top
- Unit comes assembled

DESIGN CONSIDERATIONS

- Cabinet requires 31" clearance to fit through doorway
- **Will come with an unfinished, preassembled toekick shipped loose**
- **The loose toe kick will be noted on a separate line on the order confirmation**
- Any modifications need to be submitted on a "Request for Specials" order form

Base - Angle Sink Corner Clipped



BASC3624(L/R)	841	942	1010	1136	1220	1347	1557	1868
BASC3924(L/R)	881	986	1057	1189	1276	1408	1629	1954
BASC4224	910	1019	1091	1227	1319	1456	1683	2020
BASC3627(L/R)	926	1037	1111	1250	1343	1482	1713	2056
BASC3927(L/R)	967	1083	1161	1305	1402	1546	1789	2147
BASC4227	999	1119	1199	1349	1450	1598	1848	2218

PRODUCT DETAILS

- 1 door, 1 false front
- No adjustable shelf
- 110° hinges
- BAS36 - 15 7/8" wide door and front
- BAS39 - 20 1/2" wide door and front
- BA42 - two 12 5/8" wide doors and one 24 13/32" front
- Comes with solid top
- Unit comes assembled

DESIGN CONSIDERATIONS

- Cabinet requires 31" clearance to fit through doorway
- **Will come with an unfinished, preassembled toekick shipped loose**
- **These loose toe kicks will be noted on a separate line on the Order Acknowledgment**
- Any modifications need to be submitted on a "Request for Specials" order form

UNIT	A	B
BASC3624(L/R)	10 9/16"	36"
BASC3924(L/R)	10 9/16"	40 3/16"
BASC4224	10 9/16"	44 7/16"
BASC3627(L/R)	14 13/16"	30"
BASC3927(L/R)	14 13/16"	34 3/16"
BASC4227	14 13/16"	38 7/16"

(L/R) specify L (hinge left) or R (hinge right) to cabinet code

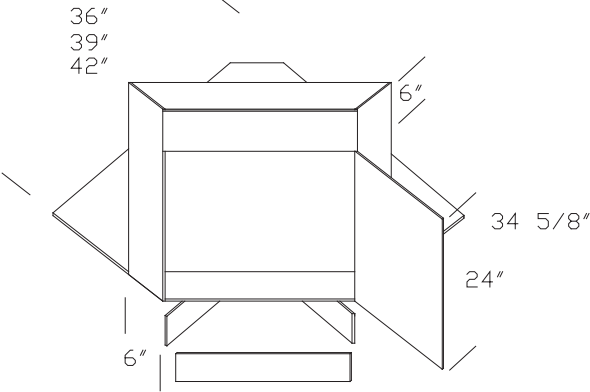
base cabinets

Base Angle Sink - Cabinet Front Only

	1	2	3	4	5	6	7	8
BAS36CFO(L/R)	420	470	504	567	609	673	778	932
BAS39CFO(L/R)	440	492	528	594	638	703	813	976
BAS42-2CFO	454	509	545	613	658	727	840	1008

PRODUCT DETAILS

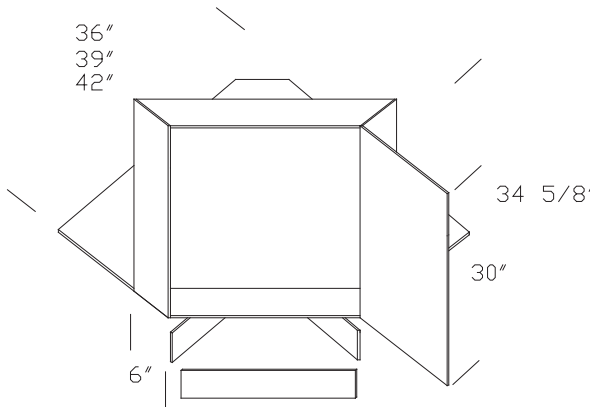
- 1 door, 1 false front (BAS42-2CFO has 2 doors and 1 false front)
- Floor is shipped separately
- Any modifications need to be submitted on a "Request for Specials" order form



BAS36FHCFO(L/R)	420	470	504	567	609	673	778	932
BAS39FHCFO(L/R)	440	492	528	594	638	703	813	976
BAS42-2FHCFO	454	509	545	613	658	727	840	1008

PRODUCT DETAILS

- 1 full height door
- Floor is shipped separately
- Any modifications need to be submitted on a "Request for Specials" order form



Full Height Door

Base Drawer Corner - Corner Square 3 Vertical

BDCCQ36363V	2488	2556	2603	2689	2747	2833	2976	3572
-------------	------	------	------	------	------	------	------	------

PRODUCT DETAILS

- 6 drawer fronts
- Only available in double wall steel with slab drawer fronts

DESIGN CONSIDERATIONS

- When drawer is closed, there is a centre reveal. The amount of reveal depends on the door style chosen. Please advise your customers accordingly.
- Will come with an unfinished, preassembled toekick shipped loose
- These loose toe kicks will be noted on a separate line on the Order Acknowledgment
- Finished ends are not available with this product. Please submit a c-spec request if finished ends are desired.
- No modifications

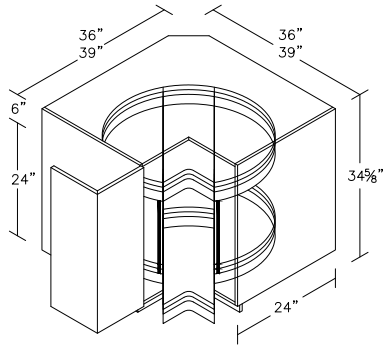
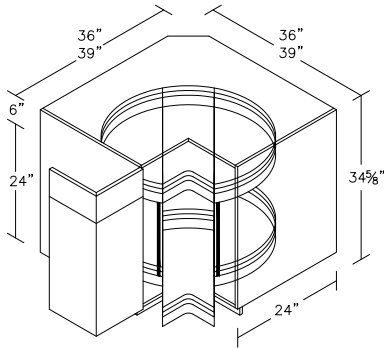


(L/R) specify L (hinge left) or R (hinge right) to cabinet code

base cabinets

	1	2	3	4	5	6	7	8
--	---	---	---	---	---	---	---	---

Base Corner Corner Square - Super Susan Pullout



Full Height Door

BCCQ3636(L/R)SSPO	4268	4375	4447	4579	4669	4803	5025	5355
BCCQ3939(L/R)SSPO	4362	4480	4559	4707	4806	4953	5199	5564
BCCQ3636FH(L/R)SSPO	4266	4373	4443	4576	4666	4800	5021	5350
BCCQ3939FH(L/R)SSPO	4288	4397	4469	4605	4697	4834	5061	5398

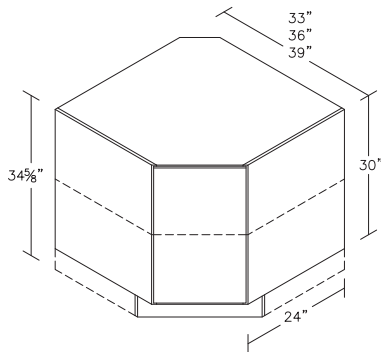
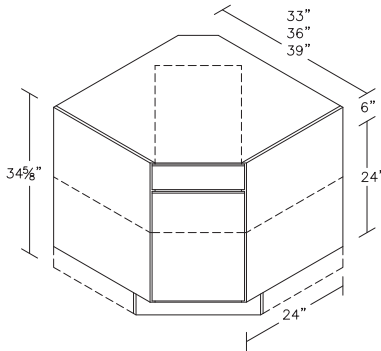
PRODUCT DETAILS

- Choose from two options: two false fronts pinned to two doors, or two full height doors
- 2 wood super susans, with pull out (chrome sides)
- 165° hinges
- Doors are joined with adjustable concealed hinges
- Unit comes assembled

DESIGN CONSIDERATIONS

- Cabinet requires 32" minimum door clearance to fit through doorway
- **Will come with an unfinished, preassembled toekick shipped loose**
- Any modifications need to be submitted on a "Request for Specials" order form

Base - Angle Corner



Full Height Door

BA33(L/R)	953	1067	1143	1286	1381	1525	1763	2115
BA36(L/R)	989	1108	1187	1334	1433	1581	1829	2194
BA39(L/R)	999	1119	1199	1349	1450	1598	1848	2218
BA33FH(L/R)	894	1002	1073	1207	1297	1431	1655	1985
BA36FH(L/R)	915	1025	1098	1236	1327	1464	1693	2031
BA39FH(L/R)	924	1035	1109	1248	1341	1478	1709	2052

PRODUCT DETAILS

- Choose from two options: one door and one drawer, or one full height door
- 1 adjustable shelf
- 110° hinges
- BA33 - 11 1/2" wide door and front
- BA36 - 15 7/8" wide door and front
- BA39 - 20 1/32" wide door and front
- Comes with solid top
- Unit comes assembled

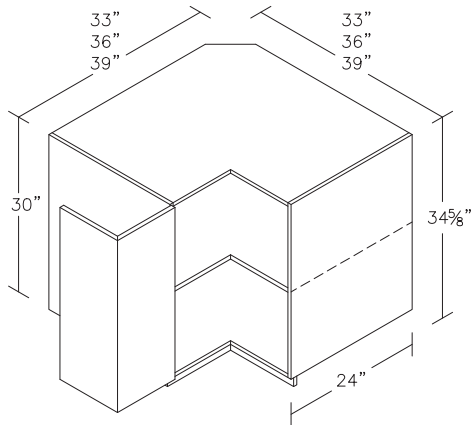
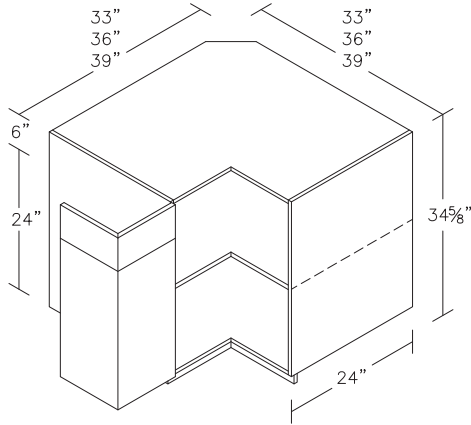
DESIGN CONSIDERATIONS

- Cabinet require 31" clearance to fit through doorway
- **Will come with an unfinished, preassembled toekick shipped loose**
- **These loose toe kicks will be noted on a separate line on the Order Acknowledgment**
- Any modifications need to be submitted on a "Request for Specials" order form

(L/R) specify L (hinge left) or R (hinge right) to cabinet code

base cabinets

Base - Square Corner



Full Height Door

	1	2	3	4	5	6	7	8
BCCQ3333(L/R)	870	976	1045	1175	1263	1394	1611	1932
BCCQ3636(L/R)	890	997	1069	1201	1291	1425	1647	1977
BCCQ3939(L/R)	984	1102	1181	1329	1428	1575	1821	2186
BCCQ3333FH(L/R)	868	972	1043	1172	1259	1389	1607	1929
BCCQ3636FH(L/R)	888	995	1065	1198	1288	1422	1643	1972
BCCQ3939FH(L/R)	910	1019	1091	1227	1319	1456	1683	2020

Base - Asymmetrical Square Corner

BCCQ3336(L/R)	1023	1146	1227	1381	1484	1638	1893	2271
BCCQ3339(L/R)	1092	1223	1310	1476	1585	1748	2022	2426
BCCQ3633(L/R)	1023	1146	1227	1381	1484	1638	1893	2271
BCCQ3639(L/R)	1112	1245	1334	1502	1613	1779	2057	2469
BCCQ3933(L/R)	1092	1223	1310	1476	1585	1748	2022	2426
BCCQ3936(L/R)	1112	1245	1334	1502	1613	1779	2057	2469
BCCQ3336FH(L/R)	1012	1134	1215	1368	1467	1620	1873	2248
BCCQ3339FH(L/R)	1032	1155	1239	1394	1496	1650	1909	2291
BCCQ3633FH(L/R)	1012	1134	1215	1368	1467	1620	1873	2248
BCCQ3639FH(L/R)	1059	1186	1271	1430	1536	1694	1958	2350
BCCQ3933FH(L/R)	1032	1155	1239	1394	1496	1650	1909	2291
BCCQ3936FH(L/R)	1059	1186	1271	1430	1536	1694	1958	2350

PRODUCT DETAILS

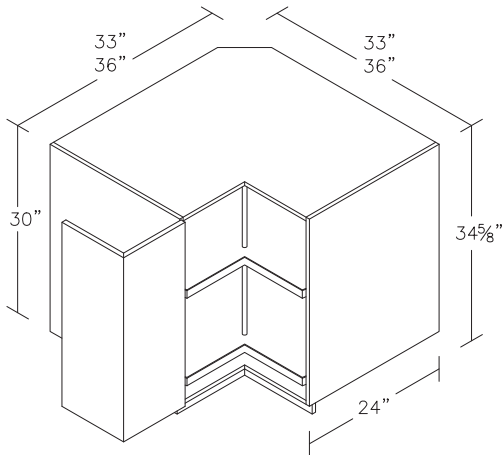
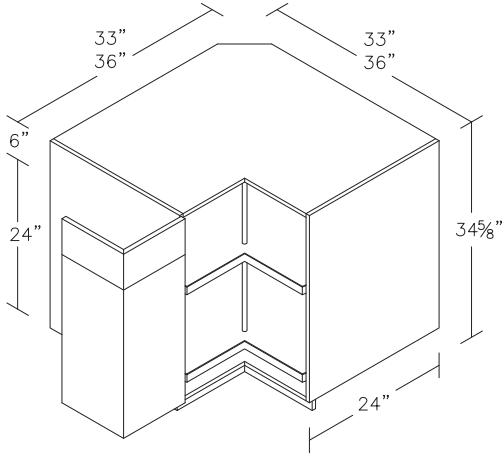
- Choose from two options: two false fronts pinned to two doors, or two full height doors
- 1 adjustable shelf
- 165° hinges
- Doors are joined with adjustable concealed hinges
- Comes with solid top
- Unit comes assembled
- First 2 digits of the code are for the left side, second 2 digits of the code are for the right side

DESIGN CONSIDERATIONS

- Cabinet requires 31" clearance to fit through doorway
- **Will come with an unfinished, preassembled toekick shipped loose**
- **These loose toe kicks will be noted on a separate line on the Order Acknowledgment**
- Any modifications need to be submitted on a "Request for Specials" order form

(L/R) specify L (hinge left) or R (hinge right) to cabinet code

Base Square Corner - Lazy Susan



Full Height Door

	1	2	3	4	5	6	7	8
BCCQ3333(L/R)LS28	1265	1370	1439	1569	1657	1788	2005	2326
BCCQ3333(L/R)WLS28	1996	2101	2170	2300	2388	2519	2736	3058
BCCQ3636(L/R)LS32	1289	1396	1467	1600	1689	1823	2046	2375
BCCQ3636(L/R)WLS32	2016	2123	2194	2326	2416	2550	2773	3102
BCCQ3333FH(L/R)LS28	1263	1367	1437	1566	1654	1784	2001	2323
BCCQ3333FH(L/R)WLS28	1994	2098	2168	2297	2385	2515	2732	3054
BCCQ3636FH(L/R)LS32	1286	1394	1463	1596	1686	1820	2042	2370
BCCQ3636FH(L/R)WLS32	2013	2121	2190	2323	2413	2547	2768	3097

PRODUCT DETAILS

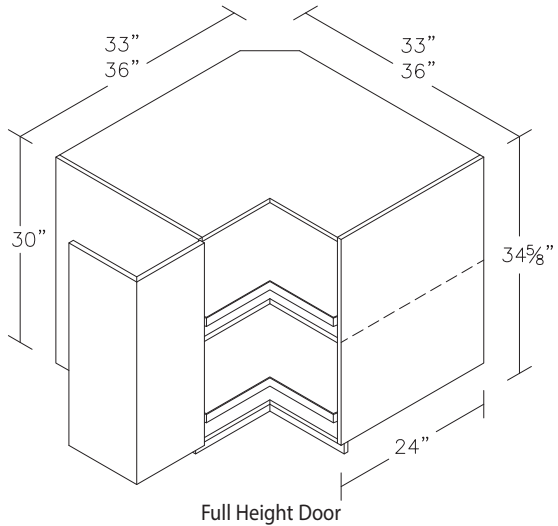
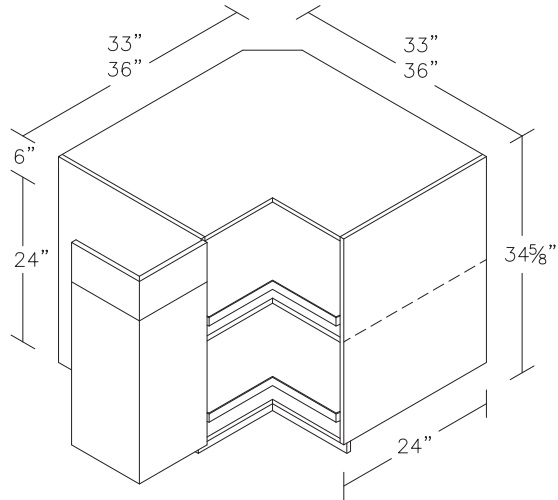
- Choose from two options: two false fronts pinned to two doors, or two full height doors
- 28" or 32" trays
- LS=white polymer trays, WLS=wood trays
- 165° hinges
- Doors are joined with adjustable concealed hinges
- Comes with solid top
- Unit comes assembled

DESIGN CONSIDERATIONS

- Cabinet requires 31" clearance to fit through doorway
- **Will come with an unfinished, preassembled toe kick shipped loose**
- **These loose toe kicks will be noted on a separate line on the Order Acknowledgment**
- Any modifications need to be submitted on a "Request for Specials" order form

(L/R) specify L (hinge left) or R (hinge right) to cabinet code

Base Square Corner - Super Susan



BCCQ3333(L/R)SS	1788	1894	1963	2093	2181	2312	2529	2850
BCCQ3636(L/R)SS	2753	2860	2932	3064	3153	3287	3510	3840
BCCQ3333FH(L/R)SS	1786	1890	1961	2090	2177	2307	2525	2847
BCCQ3636FH(L/R)SS	2751	2858	2928	3061	3150	3284	3506	3834

PRODUCT DETAILS

- Choose from two options: two false fronts pinned to two doors, or two full height doors
- 2 wood super susan trays
- 165° hinges
- Doors are joined with adjustable concealed hinges
- Comes with solid top
- Unit comes assembled

DESIGN CONSIDERATIONS

- Cabinet requires 31" clearance to fit through doorway
- **Will come with an unfinished, preassembled toekick shipped loose**
- **These loose toe kicks will be noted on a separate line on the Order Acknowledgment**
- No modifications

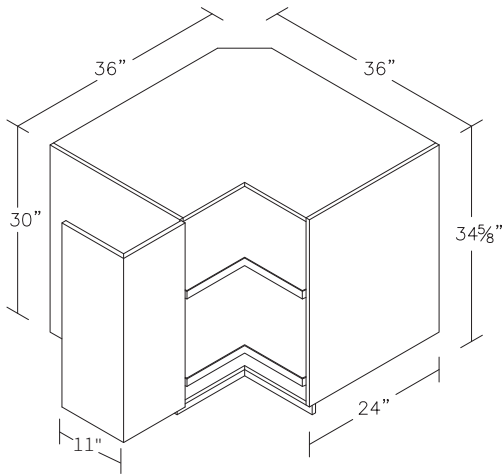
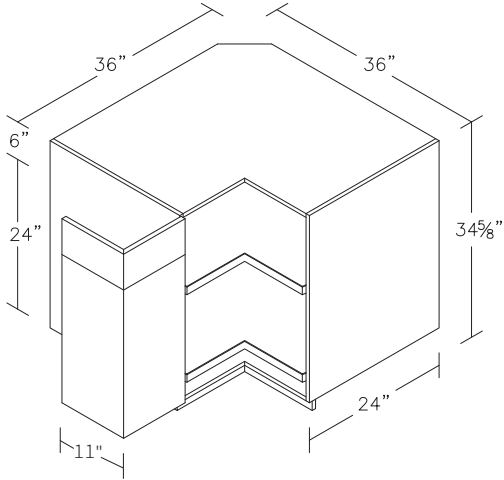
(L/R) specify L (hinge left) or R (hinge right) to cabinet code

base cabinets

1 2 3 4 5 6 7 8

Base Square Corner - Floating Lazy Susan

BCCQ3636(L/R)FS	2753	2860	2932	3064	3153	3287	3510	3840
BCCQ3636FH(L/R)FS	2751	2858	2928	3061	3150	3284	3506	3834



Full Height Door

PRODUCT DETAILS

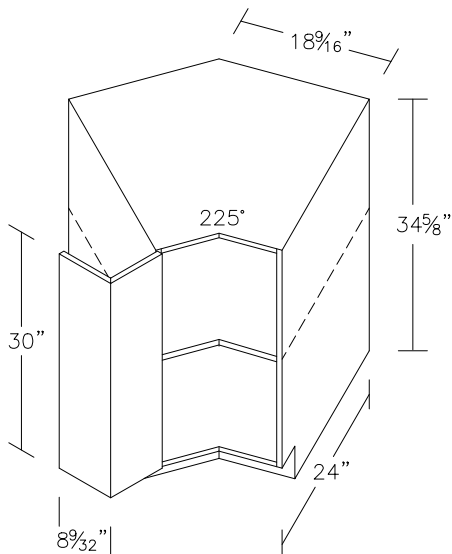
- Choose from two options: two false fronts pinned to two doors, or two full height doors
- White 32" polymer lazy susan trays
- 165° hinges
- Doors are joined with adjustable concealed hinges
- Comes with solid top
- Unit comes assembled

DESIGN CONSIDERATIONS

- Cabinet requires 31" clearance to fit through doorway
- **Will come with an unfinished, preassembled toekick shipped loose**
- **These loose toe kicks will be noted on a separate line on the Order Acknowledgment**
- Any modifications need to be submitted on a "Request for Specials" order form

Base - Inside Junction

BIJ24FH(L/R)	868	972	1043	1172	1259	1389	1607	1929
--------------	-----	-----	------	------	------	------	------	------



PRODUCT DETAILS

- 2 doors
- 1 adjustable shelf
- 165° hinges attached to box
- Doors joined with 135° concealed hinges
- Comes with solid top
- No modifications

(L/R) specify L (hinge left) or R (hinge right) to cabinet code

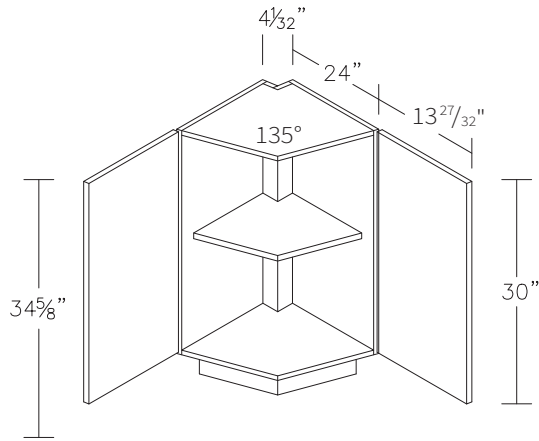
base cabinets

1	2	3	4	5	6	7	8
---	---	---	---	---	---	---	---

Base - Outside Junction

BOJ4-2FH

1008	1129	1210	1360	1461	1613	1865	2238
------	------	------	------	------	------	------	------



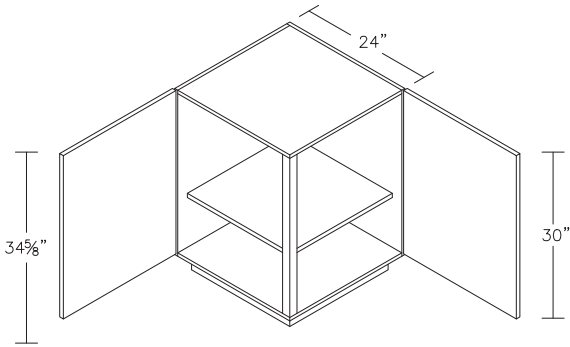
PRODUCT DETAILS

- 2 doors
- 1 adjustable shelf
- 165° hinges
- Comes with solid top
- No modifications

Base End - Double Entry Full Height Door

BEDE2424FH(L/R)

973	1090	1168	1315	1411	1558	1801	2161
-----	------	------	------	------	------	------	------



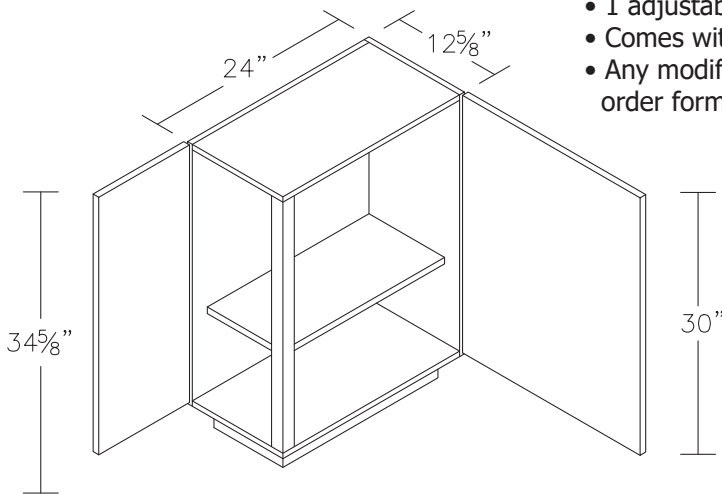
PRODUCT DETAILS

- 2 doors
- 1 adjustable shelf
- Comes with solid top
- No modifications
- L=left side of run, R=right side of run

Base End - 13" Double Entry Full Height Door

BEDE2413FH(L/R)

865	969	1038	1168	1254	1384	1601	1921
-----	-----	------	------	------	------	------	------



PRODUCT DETAILS

- 2 doors
- 1 adjustable shelf
- Comes with solid top
- Any modifications need to be submitted on a "Request for Specials" order form

(L/R) specify L (hinge left) or R (hinge right) to cabinet code

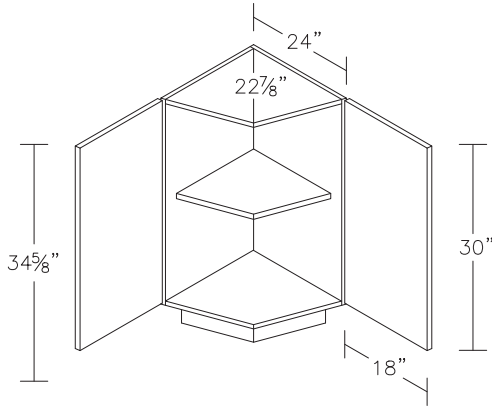
BASE

base cabinets

1	2	3	4	5	6	7	8
---	---	---	---	---	---	---	---

Base End - Angle Full Height Door

BE(L/R)24-2FH	810	908	972	1093	1174	1296	1499	1799
---------------	-----	-----	-----	------	------	------	------	------

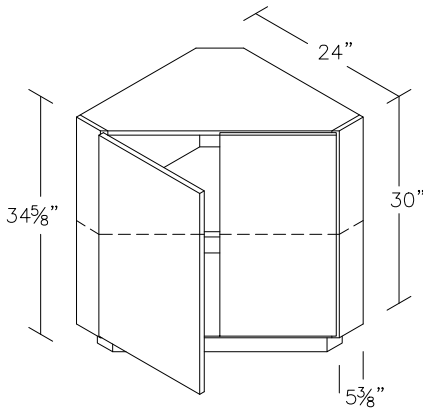


PRODUCT DETAILS

- 2 doors
- 1 adjustable shelf
- Doors are at a 64° angle from the sides
- 165° hinges
- Comes with solid top
- L=Left side of run, R=Right side of run
- No modifications

Base End - Triangle Full Height Door

BETFH2424-2	1497	1700	2040	2295	2466	2721	3146	3775
-------------	------	------	------	------	------	------	------	------

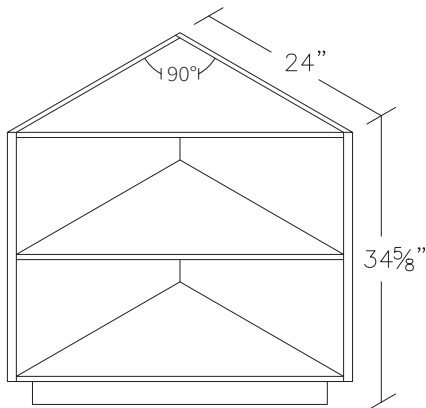


PRODUCT DETAILS

- 2 doors
- 1 adjustable shelf
- Doors are at a 45° degree angle from end panel/gable
- Comes with 2 attached fillers
- Comes with solid top
- Any modifications need to be submitted on a "Request for Specials" order form

Base - Triangle Open Shelf

BTOS24(L/R)	649	649	649	649	649	649	649	714
BTVOS24(L/R)	828	828	828	828	828	828	828	911



PRODUCT DETAILS

- 1 fixed shelf
- Comes with solid top
- V=Veneer interior/exterior
- L=left side of run, R=right side of run
- Not available in Thermofoil or Acrylic
- Any modifications need to be submitted on a "Request for Specials" order form

(L/R) specify L (hinge left) or R (hinge right) to cabinet code

base cabinets

1 2 3 4 5 6 7 8

Base End

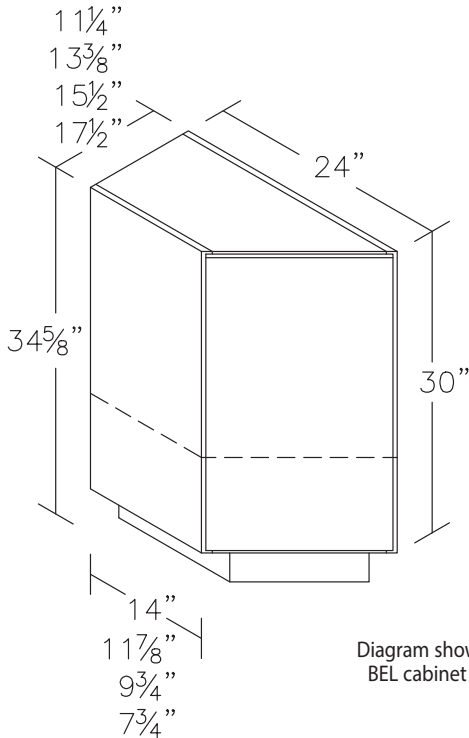
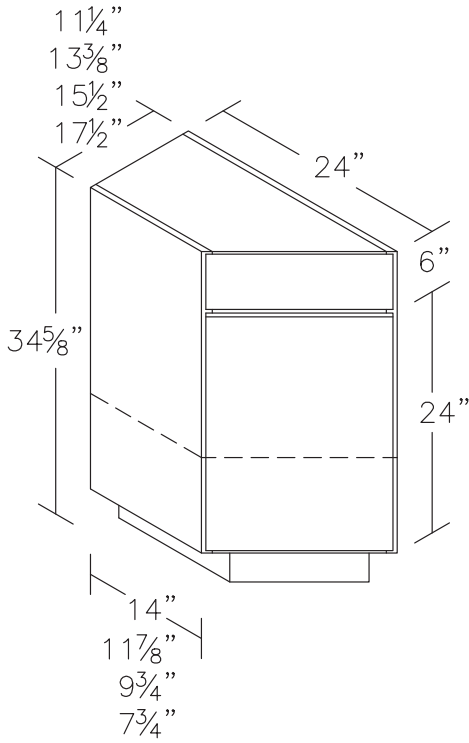


Diagram shows a full height door BEL cabinet in a left end of run

BE(L/R)11	492	551	591	665	713	787	911	1093
BE(L/R)13	573	643	687	775	832	917	1061	1273
BE(L/R)15	589	658	706	794	854	941	1088	1305
BE(L/R)17	601	674	722	812	872	963	1113	1335
BE(L/R)11FH	420	470	504	567	609	672	777	932
BE(L/R)13FH	512	573	615	692	742	818	946	1136
BE(L/R)15FH	543	607	651	733	787	868	1005	1205
BE(L/R)17FH	563	629	675	759	815	900	1040	1249

PRODUCT DETAILS

- Choose from two options: one door with one false front, or one full height door
- 1 adjustable shelf
- Comes with solid top
- Door is hinged on the small side
- Door is always at a 45° angle regardless of width
- Minimum depth on this cabinet is 4½" on the smaller side
- Sides are not prefinished
- **Toekick on the short side comes recessed and is shipped loose**
- L=left end of run, R=right end of run
- Any modifications need to be submitted on a "Request for Specials" order form

(L/R) specify L (hinge left) or R (hinge right) to cabinet code

Base - X Wine Rack

BXWRCVOS2413	1460	1460	1460	1460	1460	1460	1460	1460	1606
--------------	------	------	------	------	------	------	------	------	------

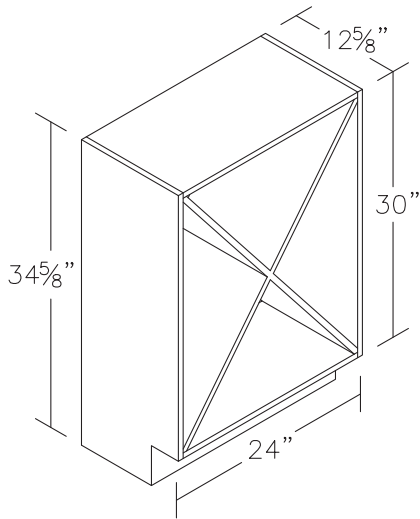
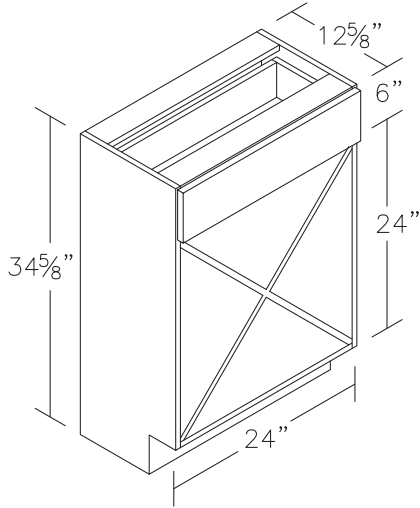
PRODUCT DETAILS

- 1 Drawer
- Holds approximately 42 3" diameter bottles
- Comes with matching Veneer interior/exterior
- Not available in Thermofoil or Acrylic

BXWRCVOS2413FH	1244	1244	1244	1244	1244	1244	1244	1244	1368
----------------	------	------	------	------	------	------	------	------	------

PRODUCT DETAILS

- Comes with solid top
- Holds approximately 54 3" diameter bottles
- Comes with matching Veneer interior/exterior
- Not available in Thermofoil or Acrylic

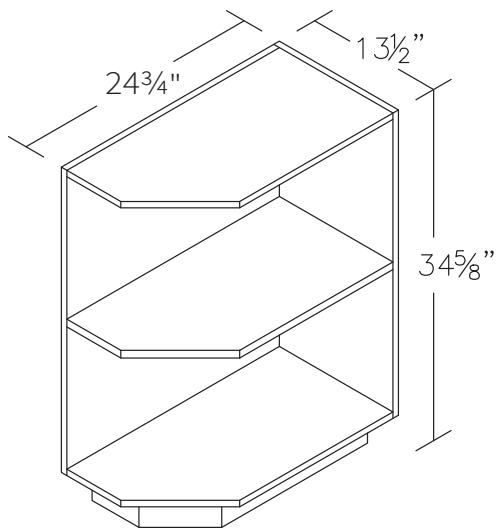


Full Height

base cabinets

1	2	3	4	5	6	7	8
---	---	---	---	---	---	---	---

Base End - Open

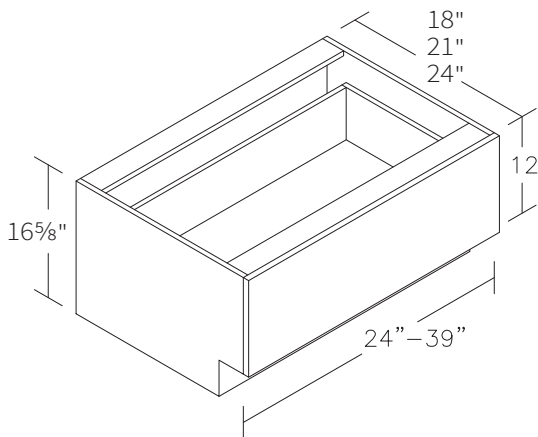


OBELR1324	1064	1064	1064	1064	1064	1064	1064	1170
MOBELR1324	777	777	777	777	777	777	777	855

PRODUCT DETAILS

- 1 fixed shelf
- Comes with solid top
- Unit can be flipped on the jobsite to accommodate left or right run of cabinets
- Comes with matching Veneer interior/exterior
- Not available in Thermofoil and Acrylic
- OBELR1324 is constructed from Veneer
- MOBELR1324 is constructed from Melamine or PureStyle™
- Diagram shows OBER1324
- **Comes with unfinished toe kick, shipped loose**
- Any modifications need to be submitted on a "Request for Specials" order form

Base - Window Seat



BWS241V	497	497	497	497	497	497	497	547
BWS271V	602	602	602	602	602	602	602	662
BWS301V	634	634	634	634	634	634	634	698
BWS331V	662	662	662	662	662	662	662	729
BWS361V	690	690	690	690	690	690	690	758
BWS391V	743	743	743	743	743	743	743	817

PRODUCT DETAILS

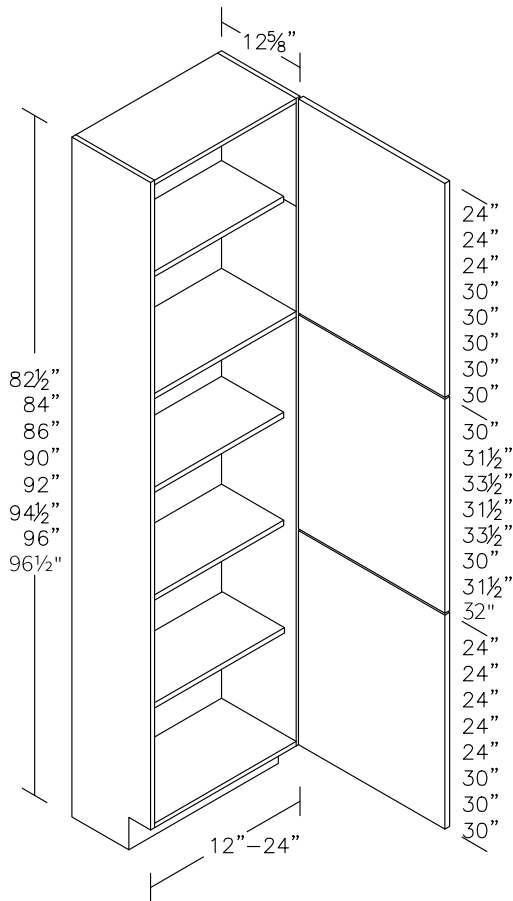
- 1 full width drawer
- 18" and 21" deep units are the same price as a 24" deep unit. To order, add 18 or 21 after the width in the product code (ie. BWS39181V)

Tall

Refer to pages D.10-D.39 for specific door style information.

Tall - 13" Deep - 3 Doors	T.2
Tall - 13" Deep - 6 Doors	T.3
Tall - 24" Deep - 3 Doors	T.4
Tall - 24" Deep - 6 Doors	T.5
Tall Utility	T.6
Tall 24" Deep - 3 Doors, 2 SOT	T.7
Tall 24" Deep - 6 Doors, 2 SOT	T.8
Tall 24" Deep - 3 Doors, 4 SOT	T.9
Tall 24" Deep - 6 Doors, 4 SOT	T.10
Tall Drawer 24" Deep - 2 Drawers.....	T.11
Tall Drawer 24" Deep - 3 Drawers.....	T.12
Tall End Triangle.....	T.13
Tall End	T.14
Tall Pantry Pullout - 3 Doors.....	T.15
Tall Pantry Wine Rack Pullout - 3 Doors.....	T.15
Tall Utility with Pot & Pan Hanging Hardware.....	T.16
Tall Double Oven with no Drawer.....	T.17
Tall Double Oven with Warming Drawer	T.18
Tall Double Oven with 9" High Drawer	T.19
Tall Double Oven with 12" High Drawer.....	T.20
Tall Oven	T.21
Tall Microwave	T.22
Tall Microwave Oven with Warming Drawer	T.23
Tall Microwave Oven.....	T.24
Tall Furniture	T.25

tall

Tall 13" Deep - 3 Doors**PRODUCT DETAILS**

- 3 doors, top door operates independently; middle and bottom doors are pinned and operate as one
- 82½", 84" and 86" units have 4 adjustable shelves and 1 fixed shelf
- 90" and 92" units have 5 adjustable shelves and 1 fixed shelf
- 94½", 96" and 96½" units have 6 adjustable shelves and 1 fixed shelf

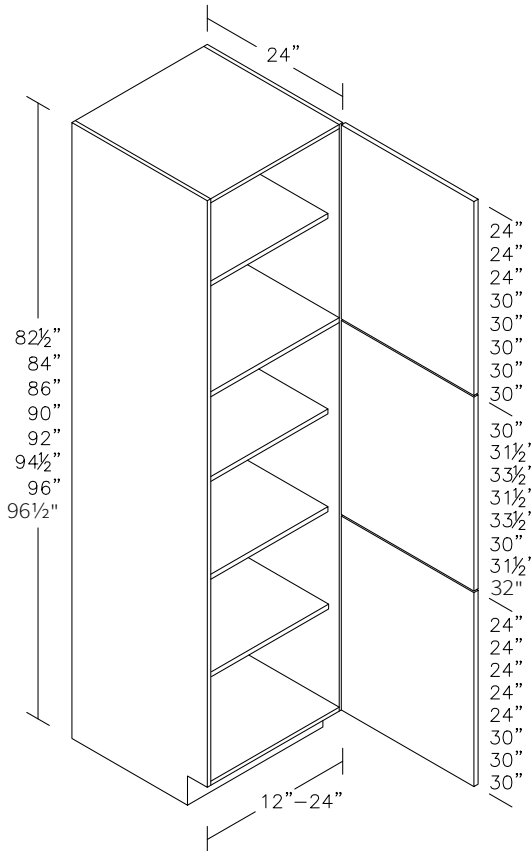
DESIGN CONSIDERATIONS

- All tall units over 84" come with a loose toekick
- Loose toekick will show as a separate line item on the Order Confirmation and come unfinished
- Tall cabinets are available to a height of 109.5"; use the tall 109.5" order form to order

	1	2	3	4	5	6	7	8
T121382.5(L/R)	686	769	824	927	996	1099	1271	1525
T121384(L/R)	686	769	824	927	996	1099	1271	1525
T121386(L/R)	830	929	995	1119	1202	1327	1535	1842
T121390(L/R)	830	929	995	1119	1202	1327	1535	1842
T121392(L/R)	971	1087	1165	1309	1407	1553	1796	2155
T121394.5(L/R)	971	1087	1165	1309	1407	1553	1796	2155
T121396(L/R)	971	1087	1165	1309	1407	1553	1796	2155
T121396.5(L/R)	971	1087	1165	1309	1407	1553	1796	2155
T151382.5(L/R)	738	828	887	997	1071	1182	1368	1640
T151384(L/R)	738	828	887	997	1071	1182	1368	1640
T151386(L/R)	890	997	1069	1201	1291	1425	1647	1977
T151390(L/R)	890	997	1069	1201	1291	1425	1647	1977
T151392(L/R)	1042	1167	1251	1405	1510	1667	1927	2313
T151394.5(L/R)	1042	1167	1251	1405	1510	1667	1927	2313
T151396(L/R)	1042	1167	1251	1405	1510	1667	1927	2313
T151396.5(L/R)	1042	1167	1251	1405	1510	1667	1927	2313
T181382.5(L/R)	790	886	948	1067	1146	1266	1462	1754
T181384(L/R)	790	886	948	1067	1146	1266	1462	1754
T181386(L/R)	952	1066	1142	1285	1380	1523	1761	2113
T181390(L/R)	952	1066	1142	1285	1380	1523	1761	2113
T181392(L/R)	1114	1247	1336	1504	1615	1782	2060	2472
T181394.5(L/R)	1114	1247	1336	1504	1615	1782	2060	2472
T181396(L/R)	1114	1247	1336	1504	1615	1782	2060	2472
T181396.5(L/R)	1114	1247	1336	1504	1615	1782	2060	2472
T211382.5(L/R)	841	942	1010	1136	1220	1347	1557	1868
T211384(L/R)	841	942	1010	1136	1220	1347	1557	1868
T211386(L/R)	1005	1125	1206	1356	1457	1607	1860	2231
T211390(L/R)	1005	1125	1206	1356	1457	1607	1860	2231
T211392(L/R)	1175	1317	1411	1587	1705	1880	2176	2610
T211394.5(L/R)	1175	1317	1411	1587	1705	1880	2176	2610
T211396(L/R)	1175	1317	1411	1587	1705	1880	2176	2610
T211396.5(L/R)	1175	1317	1411	1587	1705	1880	2176	2610
T241382.5(L/R)	890	997	1069	1201	1291	1425	1647	1977
T241384(L/R)	890	997	1069	1201	1291	1425	1647	1977
T241386(L/R)	1066	1194	1279	1439	1546	1707	1973	2367
T241390(L/R)	1066	1194	1279	1439	1546	1707	1973	2367
T241392(L/R)	1247	1397	1497	1684	1810	1997	2308	2770
T241394.5(L/R)	1247	1397	1497	1684	1810	1997	2308	2770
T241396(L/R)	1247	1397	1497	1684	1810	1997	2308	2770
T241396.5(L/R)	1247	1397	1497	1684	1810	1997	2308	2770

(L/R) specify L (hinge left) or R (hinge right) to cabinet code

tall

Tall 24" Deep - 3 Doors

	1	2	3	4	5	6	7	8
T122482.5(L/R)	777	869	932	1048	1126	1243	1436	1723
T122484(L/R)	777	869	932	1048	1126	1243	1436	1723
T122486(L/R)	932	1044	1118	1259	1352	1491	1725	2071
T122490(L/R)	932	1044	1118	1259	1352	1491	1725	2071
T122492(L/R)	1090	1222	1308	1474	1582	1745	2019	2422
T122494.5(L/R)	1090	1222	1308	1474	1582	1745	2019	2422
T122496(L/R)	1090	1222	1308	1474	1582	1745	2019	2422
T122496.5(L/R)	1090	1222	1308	1474	1582	1745	2019	2422
T152482.5(L/R)	798	893	957	1076	1156	1276	1476	1771
T152484(L/R)	798	893	957	1076	1156	1276	1476	1771
T152486(L/R)	994	1113	1193	1343	1441	1590	1839	2207
T152490(L/R)	994	1113	1193	1343	1441	1590	1839	2207
T152492(L/R)	1164	1302	1396	1570	1687	1861	2152	2582
T152494.5(L/R)	1164	1302	1396	1570	1687	1861	2152	2582
T152496(L/R)	1164	1302	1396	1570	1687	1861	2152	2582
T152496.5(L/R)	1164	1302	1396	1570	1687	1861	2152	2582
T182482.5(L/R)	817	916	981	1104	1186	1308	1513	1816
T182484(L/R)	817	916	981	1104	1186	1308	1513	1816
T182486(L/R)	1062	1190	1274	1434	1540	1699	1966	2359
T182490(L/R)	1062	1190	1274	1434	1540	1699	1966	2359
T182492(L/R)	1243	1392	1490	1678	1802	1988	2299	2760
T182494.5(L/R)	1243	1392	1490	1678	1802	1988	2299	2760
T182496(L/R)	1243	1392	1490	1678	1802	1988	2299	2760
T182496.5(L/R)	1243	1392	1490	1678	1802	1988	2299	2760
T212482.5(L/R)	877	982	1052	1185	1272	1404	1622	1947
T212484(L/R)	877	982	1052	1185	1272	1404	1622	1947
T212486(L/R)	1127	1263	1352	1522	1634	1803	2085	2502
T212490(L/R)	1127	1263	1352	1522	1634	1803	2085	2502
T212492(L/R)	1319	1477	1582	1780	1912	2110	2440	2928
T212494.5(L/R)	1319	1477	1582	1780	1912	2110	2440	2928
T212496(L/R)	1319	1477	1582	1780	1912	2110	2440	2928
T212496.5(L/R)	1319	1477	1582	1780	1912	2110	2440	2928
T242482.5(L/R)	936	1048	1123	1264	1356	1497	1731	2077
T242484(L/R)	936	1048	1123	1264	1356	1497	1731	2077
T242486(L/R)	1193	1335	1432	1611	1730	1909	2208	2649
T242490(L/R)	1193	1335	1432	1611	1730	1909	2208	2649
T242492(L/R)	1396	1562	1675	1884	2024	2234	2583	3099
T242494.5(L/R)	1396	1562	1675	1884	2024	2234	2583	3099
T242496(L/R)	1396	1562	1675	1884	2024	2234	2583	3099
T242496.5(L/R)	1396	1562	1675	1884	2024	2234	2583	3099

PRODUCT DETAILS

- 3 doors, top door operates independently; middle and bottom doors are pinned and operate as one
- 82½", 84" and 86" have 4 adjustable shelves and 1 fixed shelf
- 90" and 92" have 5 adjustable shelves and 1 fixed shelf
- 94½", 96" and 96½" have 6 adjustable shelves and 1 fixed shelf

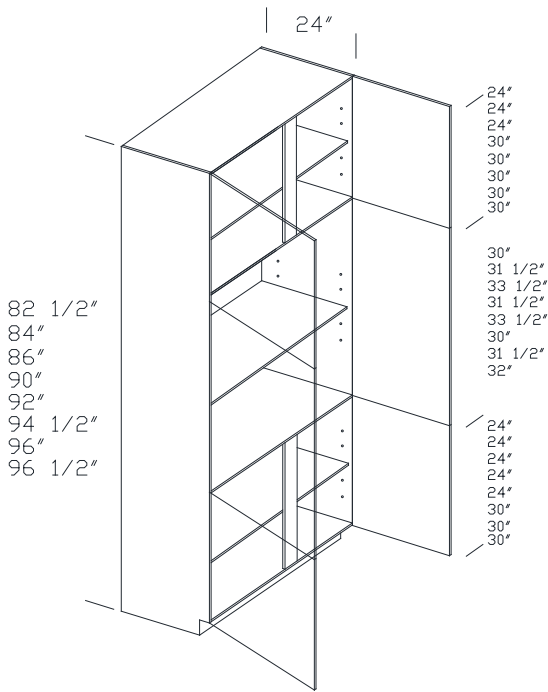
DESIGN CONSIDERATIONS

- All tall units over 84" come with a loose toekick
- Loose toekick will show as separate line item on the Order Confirmation and come unfinished
- Tall cabinets are available to a height of 109.5"; use the tall 109.5" order form to order

(L/R) specify L (hinge left) or R (hinge right) to cabinet code

tall

Tall 24" Deep - 6 Doors



PRODUCT DETAILS

- 6 doors, top doors operate independently; middle and bottom doors are pinned and operate as one
- 82½", 84" and 86" units have 3 adjustable shelves and 2 fixed shelves
- 90" and 92" units have 4 adjustable shelves and 2 fixed shelves
- 94½", 96" and 96½" units have 5 adjustable shelves and 2 fixed shelves
- 24", 27" and 30" widths have no center stile
- 33" and 36" widths come with two center stiles

DESIGN CONSIDERATIONS

- All tall units over 84" come with a loose toekick
- Loose toekick will show as separate line item on the Order Confirmation and come unfinished
- Tall cabinets are available to a height of 109.5"; use the tall 109.5" order form to order

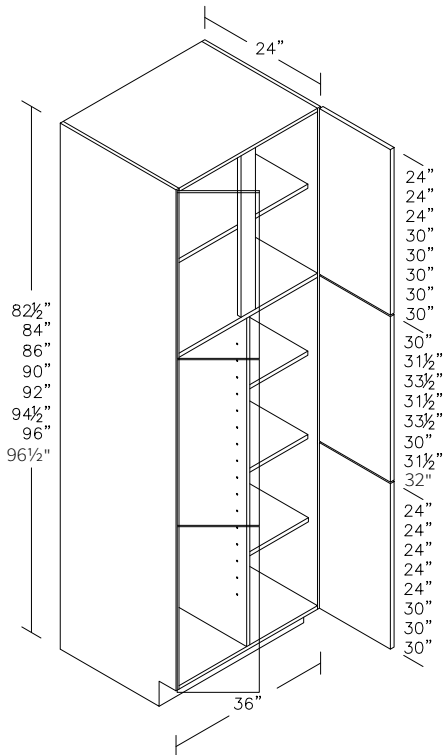
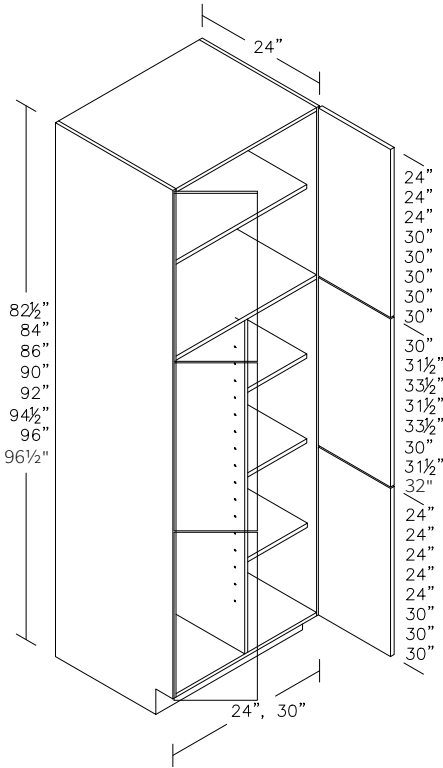
	1	2	3	4	5	6	7	8
T242482.5-2	1103	1236	1324	1489	1600	1765	2040	2449
T242484-2	1103	1236	1324	1489	1600	1765	2040	2449
T242486-2	1383	1549	1660	1868	2006	2213	2559	3071
T242490-2	1383	1549	1660	1868	2006	2213	2559	3071
T242492-2	1618	1812	1942	2185	2347	2590	2994	3593
T242494.5-2	1618	1812	1942	2185	2347	2590	2994	3593
T242496-2	1618	1812	1942	2185	2347	2590	2994	3593
T242496.5-2	1618	1812	1942	2185	2347	2590	2994	3593
T272482.5	1148	1286	1378	1551	1666	1838	2126	2550
T272484	1148	1286	1378	1551	1666	1838	2126	2550
T272486	1441	1615	1731	1947	2090	2307	2668	3201
T272490	1441	1615	1731	1947	2090	2307	2668	3201
T272492	1687	1890	2025	2278	2446	2699	3121	3745
T272494.5	1687	1890	2025	2278	2446	2699	3121	3745
T272496	1687	1890	2025	2278	2446	2699	3121	3745
T272496.5	1687	1890	2025	2278	2446	2699	3121	3745
T302482.5	1199	1344	1439	1619	1739	1919	2219	2663
T302484	1199	1344	1439	1619	1739	1919	2219	2663
T302486	1497	1676	1796	2021	2170	2395	2768	3323
T302490	1497	1676	1796	2021	2170	2395	2768	3323
T302492	1751	1961	2102	2364	2540	2803	3240	3888
T302494.5	1751	1961	2102	2364	2540	2803	3240	3888
T302496	1751	1961	2102	2364	2540	2803	3240	3888
T302496.5	1751	1961	2102	2364	2540	2803	3240	3888
T332482.5	1248	1398	1498	1685	1810	1997	2309	2771
T332484	1248	1398	1498	1685	1810	1997	2309	2771
T332486	1553	1739	1864	2098	2252	2486	2874	3449
T332490	1553	1739	1864	2098	2252	2486	2874	3449
T332492	1817	2034	2181	2454	2634	2908	3362	4035
T332494.5	1817	2034	2181	2454	2634	2908	3362	4035
T332496	1817	2034	2181	2454	2634	2908	3362	4035
T332496.5	1817	2034	2181	2454	2634	2908	3362	4035
T362482.5	1300	1456	1560	1756	1886	2080	2406	2887
T362484	1300	1456	1560	1756	1886	2080	2406	2887
T362486	1616	1810	1940	2182	2343	2585	2990	3587
T362490	1616	1810	1940	2182	2343	2585	2990	3587
T362492	1891	2117	2269	2553	2741	3025	3499	4196
T362494.5	1891	2117	2269	2553	2741	3025	3499	4196
T362496	1891	2117	2269	2553	2741	3025	3499	4196
T362496.5	1891	2117	2269	2553	2741	3025	3499	4196

TALL

tall

Tall Utility

TALL



	1	2	3	4	5	6	7	8
TU242482.5-2	1169	1309	1403	1578	1695	1871	2163	2596
TU242484-2	1169	1309	1403	1578	1695	1871	2163	2596
TU242486-2	1383	1549	1660	1868	2006	2213	2559	3071
TU242490-2	1383	1549	1660	1868	2006	2213	2559	3071
TU242492-2	1618	1812	1942	2185	2347	2590	2994	3593
TU242494.5-2	1618	1812	1942	2185	2347	2590	2994	3593
TU242496-2	1618	1812	1942	2185	2347	2590	2994	3593
TU242496.5-2	1618	1812	1942	2185	2347	2590	2994	3593
TU302482.5	1268	1421	1520	1711	1838	2028	2345	2814
TU302484	1268	1421	1520	1711	1838	2028	2345	2814
TU302486	1497	1676	1796	2021	2170	2395	2768	3323
TU302490	1497	1676	1796	2021	2170	2395	2768	3323
TU302492	1751	1961	2102	2364	2540	2803	3240	3888
TU302494.5	1751	1961	2102	2364	2540	2803	3240	3888
TU302496	1751	1961	2102	2364	2540	2803	3240	3888
TU302496.5	1751	1961	2102	2364	2540	2803	3240	3888
TU362482.5	1370	1534	1643	1848	1985	2191	2533	3040
TU362484	1370	1534	1643	1848	1985	2191	2533	3040
TU362486	1616	1810	1940	2182	2343	2585	2990	3587
TU362490	1616	1810	1940	2182	2343	2585	2990	3587
TU362492	1891	2117	2269	2553	2741	3025	3499	4196
TU362494.5	1891	2117	2269	2553	2741	3025	3499	4196
TU362496	1891	2117	2269	2553	2741	3025	3499	4196
TU362496.5	1891	2117	2269	2553	2741	3025	3499	4196

PRODUCT DETAILS

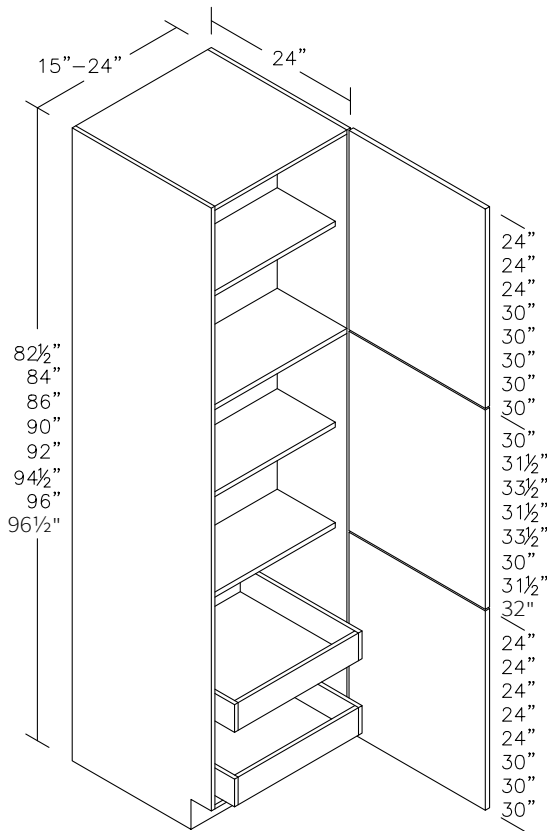
- 6 doors, top doors operate independently; middle and bottom doors are pinned and operate as one
- 82 1/2", 84" and 86" have 4 adjustable shelves and 1 fixed shelf
- 90" and 92" have 5 adjustable shelves and 1 fixed shelf
- 94 1/2", 96" and 96 1/2" have 6 adjustable shelves and 1 fixed shelf
- 24" and 30" widths have no center stile
- Center partition is a double partition

DESIGN CONSIDERATIONS

- All tall units over 84" come with a loose toekick
- Loose toekick will show as separate line item on the Order Confirmation and come unfinished

tall

Tall 24" Deep - 3 Doors, 2 SOT



PRODUCT DETAILS

- 3 doors, top door operates independently; middle and bottom doors are pinned and operate as one
- 2 slide out trays - standard placement only, configured from the bottom
- 82½", 84" and 86" have 3 adjustable shelves and 1 fixed shelf
- 90", 92", 94½", 96" and 96½" have 4 adjustable shelves and 1 fixed shelf

DESIGN CONSIDERATIONS

- All tall units over 84" come with a loose toekick
- Loose toekick will show as separate line item on the Order Confirmation and come unfinished
- Tall cabinets are available to a height of 109.5"; use the tall 109.5" order form to order

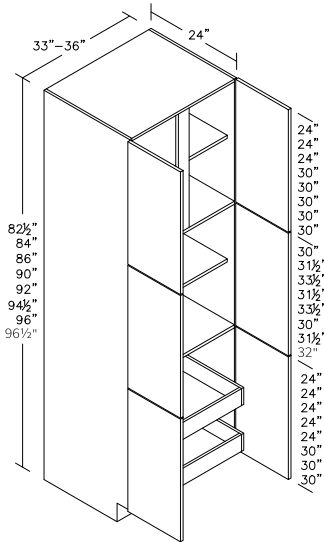
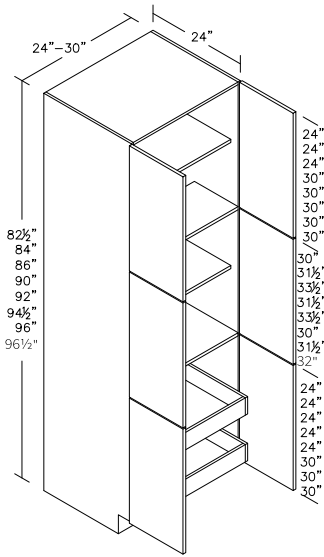
	1	2	3	4	5	6	7	8
T152482.5(L/R)SOT2	980	1072	1133	1247	1324	1438	1629	1912
T152484(L/R)SOT2	980	1072	1133	1247	1324	1438	1629	1912
T152486(L/R)SOT2	1211	1329	1409	1559	1658	1806	2055	2423
T152490(L/R)SOT2	1211	1329	1409	1559	1658	1806	2055	2423
T152492(L/R)SOT2	1380	1518	1612	1787	1903	2077	2368	2799
T152494.5(L/R)SOT2	1380	1518	1612	1787	1903	2077	2368	2799
T152496(L/R)SOT2	1380	1518	1612	1787	1903	2077	2368	2799
T152496.5(L/R)SOT2	1380	1518	1612	1787	1903	2077	2368	2799
T182482.5(L/R)SOT2	1034	1133	1197	1321	1402	1525	1730	2032
T182484(L/R)SOT2	1034	1133	1197	1321	1402	1525	1730	2032
T182486(L/R)SOT2	1278	1406	1490	1650	1757	1916	2182	2575
T182490(L/R)SOT2	1278	1406	1490	1650	1757	1916	2182	2575
T182492(L/R)SOT2	1459	1608	1707	1894	2019	2205	2516	2976
T182494.5(L/R)SOT2	1459	1608	1707	1894	2019	2205	2516	2976
T182496(L/R)SOT2	1459	1608	1707	1894	2019	2205	2516	2976
T182496.5(L/R)SOT2	1459	1608	1707	1894	2019	2205	2516	2976
T212482.5(L/R)SOT2	1093	1198	1269	1401	1488	1620	1839	2163
T212484(L/R)SOT2	1093	1198	1269	1401	1488	1620	1839	2163
T212486(L/R)SOT2	1344	1479	1568	1738	1850	2020	2302	2719
T212490(L/R)SOT2	1344	1479	1568	1738	1850	2020	2302	2719
T212492(L/R)SOT2	1535	1693	1798	1997	2128	2326	2656	3144
T212494.5(L/R)SOT2	1535	1693	1798	1997	2128	2326	2656	3144
T212496(L/R)SOT2	1535	1693	1798	1997	2128	2326	2656	3144
T212496.5(L/R)SOT2	1535	1693	1798	1997	2128	2326	2656	3144
T242482.5(L/R)SOT2	1152	1265	1340	1480	1572	1713	1947	2293
T242484(L/R)SOT2	1152	1265	1340	1480	1572	1713	1947	2293
T242486(L/R)SOT2	1409	1552	1648	1827	1946	2126	2424	2865
T242490(L/R)SOT2	1409	1552	1648	1827	1946	2126	2424	2865
T242492(L/R)SOT2	1612	1778	1892	2101	2240	2450	2800	3316
T242494.5(L/R)SOT2	1612	1778	1892	2101	2240	2450	2800	3316
T242496(L/R)SOT2	1612	1778	1892	2101	2240	2450	2800	3316
T242496.5(L/R)SOT2	1612	1778	1892	2101	2240	2450	2800	3316

TALL

(L/R) specify L (hinge left) or R (hinge right) to cabinet code

tall

Tall 24" Deep - 6 Doors, 2 SOT



PRODUCT DETAILS

- 6 doors, top doors operate independently; middle and bottom doors are pinned and operate as one
- 2 slide out trays - standard placement only, configured from the bottom
- 82½", 84" and 86" have 2 adjustable shelves and 2 fixed shelves
- 90", 92", 94½", 96" and 96½" have 3 adjustable shelves and 2 fixed shelves
- 24", 27" and 30" widths have no center stile

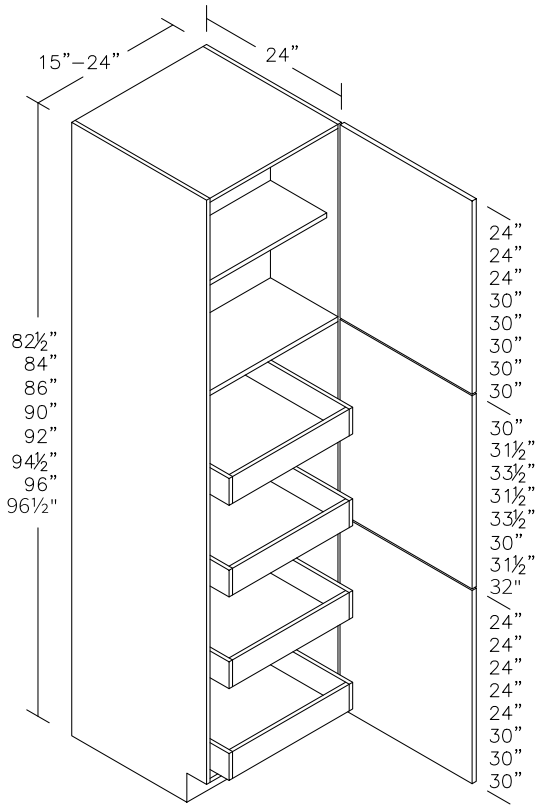
DESIGN CONSIDERATIONS

- All tall units over 84" come with a loose toekick
- Loose toekick will show as separate line item on the Order Confirmation and come unfinished
- Tall cabinets are available to a height of 109.5"; use the tall 109.5" order form to order

	1	2	3	4	5	6	7	8
T242482.5-2SOT2	1320	1452	1540	1706	1816	1981	2257	2666
T242484-2SOT2	1320	1452	1540	1706	1816	1981	2257	2666
T242486-2SOT2	1600	1765	1876	2084	2222	2429	2776	3287
T242490-2SOT2	1600	1765	1876	2084	2222	2429	2776	3287
T242492-2SOT2	1835	2028	2158	2401	2564	2806	3210	3810
T242494.5-2SOT2	1835	2028	2158	2401	2564	2806	3210	3810
T242496-2SOT2	1835	2028	2158	2401	2564	2806	3210	3810
T242496.5-2SOT2	1835	2028	2158	2401	2564	2806	3210	3810
T272482.5SOT2	1364	1503	1594	1767	1882	2054	2342	2766
T272484SOT2	1364	1503	1594	1767	1882	2054	2342	2766
T272486SOT2	1658	1831	1947	2163	2307	2523	2884	3417
T272490SOT2	1658	1831	1947	2163	2307	2523	2884	3417
T272492SOT2	1903	2106	2241	2494	2662	2915	3337	3961
T272494.5SOT2	1903	2106	2241	2494	2662	2915	3337	3961
T272496SOT2	1903	2106	2241	2494	2662	2915	3337	3961
T272496.5SOT2	1903	2106	2241	2494	2662	2915	3337	3961
T302482.5SOT2	1415	1560	1656	1836	1955	2135	2436	2880
T302484SOT2	1415	1560	1656	1836	1955	2135	2436	2880
T302486SOT2	1713	1893	2012	2237	2387	2611	2985	3539
T302490SOT2	1713	1893	2012	2237	2387	2611	2985	3539
T302492SOT2	1968	2178	2318	2580	2756	3019	3456	4104
T302494.5SOT2	1968	2178	2318	2580	2756	3019	3456	4104
T302496SOT2	1968	2178	2318	2580	2756	3019	3456	4104
T302496.5SOT2	1968	2178	2318	2580	2756	3019	3456	4104
T332482.5SOT2	1464	1614	1714	1901	2026	2213	2525	2987
T332484SOT2	1464	1614	1714	1901	2026	2213	2525	2987
T332486SOT2	1769	1955	2080	2314	2468	2702	3090	3665
T332490SOT2	1769	1955	2080	2314	2468	2702	3090	3665
T332492SOT2	2033	2251	2397	2671	2851	3124	3579	4252
T332494.5SOT2	2033	2251	2397	2671	2851	3124	3579	4252
T332496SOT2	2033	2251	2397	2671	2851	3124	3579	4252
T332496.5SOT2	2033	2251	2397	2671	2851	3124	3579	4252
T362482.5SOT2	1516	1672	1776	1972	2102	2296	2622	3103
T362484SOT2	1516	1672	1776	1972	2102	2296	2622	3103
T362486SOT2	1832	2026	2156	2398	2559	2802	3206	3803
T362490SOT2	1832	2026	2156	2398	2559	2802	3206	3803
T362492SOT2	2107	2334	2486	2770	2958	3242	3715	4413
T362494.5SOT2	2107	2334	2486	2770	2958	3242	3715	4413
T362496SOT2	2107	2334	2486	2770	2958	3242	3715	4413
T362496.5SOT2	2107	2334	2486	2770	2958	3242	3715	4413

tall

Tall 24" Deep - 3 Doors, 4 SOT



PRODUCT DETAILS

- 3 doors, top door operates independently; middle and bottom doors are pinned and operate as one
- 4 slide out trays - standard placement only, configured from the bottom
- 82½", 84" and 86" have 1 adjustable shelf and 1 fixed shelf
- 90 , 92", 94½", 96" and 96½" have 2 adjustable shelves and 1 fixed shelf

DESIGN CONSIDERATIONS

- All tall units over 84" come with a loose toekick
- Loose toekick will show as separate line item on the Order Confirmation and come unfinished
- Tall cabinets are available to a height of 109.5"; use the tall 109.5" order form to order

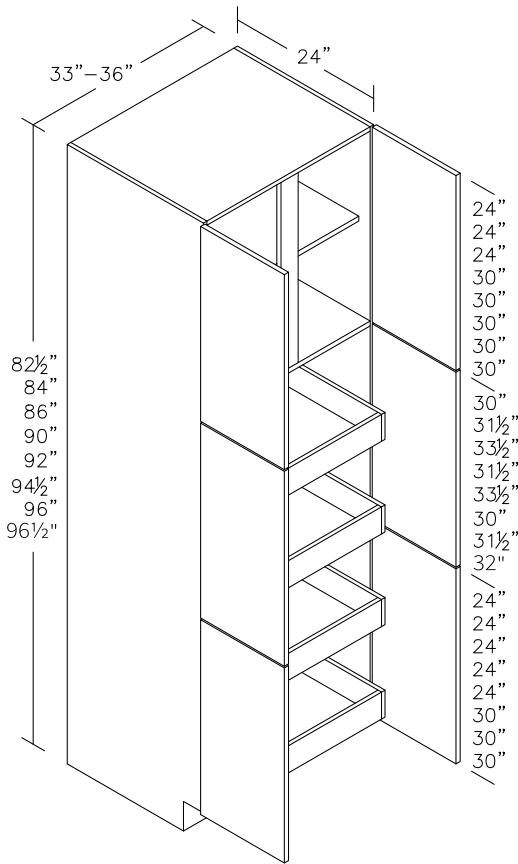
	1	2	3	4	5	6	7	8
T152482.5(L/R)SOT4	1196	1289	1349	1463	1540	1655	1845	2128
T152484(L/R)SOT4	1196	1289	1349	1463	1540	1655	1845	2128
T152486(L/R)SOT4	1427	1545	1626	1775	1874	2023	2271	2640
T152490(L/R)SOT4	1427	1545	1626	1775	1874	2023	2271	2640
T152492(L/R)SOT4	1596	1735	1828	2003	2120	2293	2584	3015
T152494.5(L/R)SOT4	1596	1735	1828	2003	2120	2293	2584	3015
T152496(L/R)SOT4	1596	1735	1828	2003	2120	2293	2584	3015
T152496.5(L/R)SOT4	1596	1735	1828	2003	2120	2293	2584	3015
T182482.5(L/R)SOT4	1250	1349	1413	1537	1618	1741	1946	2248
T182484(L/R)SOT4	1250	1349	1413	1537	1618	1741	1946	2248
T182486(L/R)SOT4	1494	1622	1707	1867	1973	2132	2398	2791
T182490(L/R)SOT4	1494	1622	1707	1867	1973	2132	2398	2791
T182492(L/R)SOT4	1675	1824	1923	2110	2235	2421	2732	3193
T182494.5(L/R)SOT4	1675	1824	1923	2110	2235	2421	2732	3193
T182496(L/R)SOT4	1675	1824	1923	2110	2235	2421	2732	3193
T182496.5(L/R)SOT4	1675	1824	1923	2110	2235	2421	2732	3193
T212482.5(L/R)SOT4	1309	1414	1485	1617	1705	1837	2055	2380
T212484(L/R)SOT4	1309	1414	1485	1617	1705	1837	2055	2380
T212486(L/R)SOT4	1560	1695	1785	1954	2066	2236	2518	2935
T212490(L/R)SOT4	1560	1695	1785	1954	2066	2236	2518	2935
T212492(L/R)SOT4	1751	1909	2014	2213	2344	2543	2872	3360
T212494.5(L/R)SOT4	1751	1909	2014	2213	2344	2543	2872	3360
T212496(L/R)SOT4	1751	1909	2014	2213	2344	2543	2872	3360
T212496.5(L/R)SOT4	1751	1909	2014	2213	2344	2543	2872	3360
T242482.5(L/R)SOT4	1369	1481	1556	1696	1789	1929	2163	2510
T242484(L/R)SOT4	1369	1481	1556	1696	1789	1929	2163	2510
T242486(L/R)SOT4	1626	1768	1865	2044	2162	2342	2641	3082
T242490(L/R)SOT4	1626	1768	1865	2044	2162	2342	2641	3082
T2422(L/R)SOT4	1828	1995	2108	2317	2456	2667	3016	3532
T242494.5(L/R)SOT4	1828	1995	2108	2317	2456	2667	3016	3532
T242496(L/R)SOT4	1828	1995	2108	2317	2456	2667	3016	3532
T242496.5(L/R)SOT4	1828	1995	2108	2317	2456	2667	3016	3532

TALL

(L/R) specify L (hinge left) or R (hinge right) to cabinet code

tall

Tall 24" Deep - 6 Doors, 4 SOT



TALL

PRODUCT DETAILS

- 6 doors, top doors operate independently; middle and bottom doors are pinned and operate as one
- 4 slide out trays - standard placement only, configured from the bottom
- 82½", 84" and 86" have 1 adjustable shelf and 1 fixed shelf
- 90", 92", 94½", 96" and 96½" have 2 adjustable shelves and 1 fixed shelf
- 24", 27" and 30" widths have no center stile

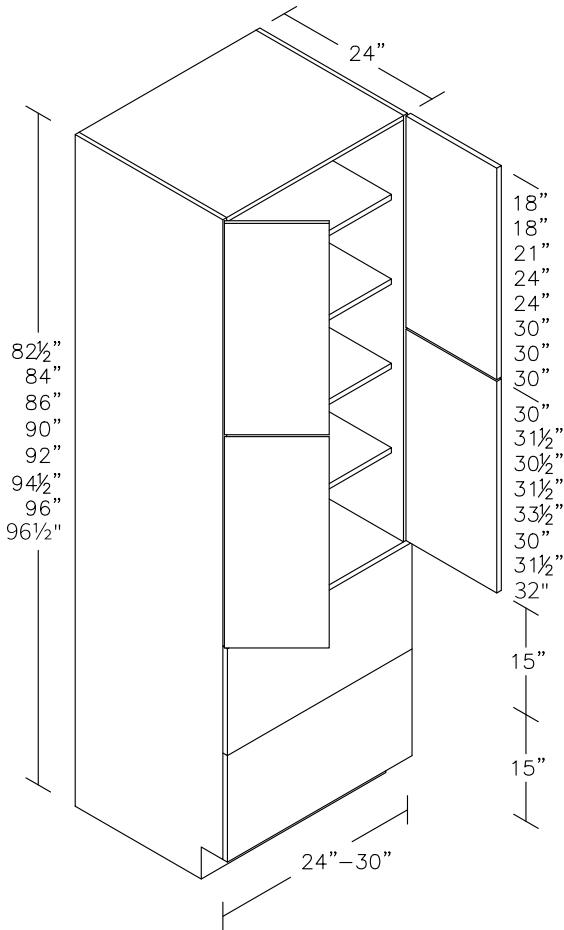
DESIGN CONSIDERATIONS

- All tall units over 84" come with a loose toekick
- Loose toekick will show as separate line item on the Order Confirmation and come unfinished
- Tall cabinets are available to a height of 109.5"; use the tall 109.5" order form to order

	1	2	3	4	5	6	7	8
T242482.5-2SOT4	1536	1668	1757	1922	2032	2198	2473	2882
T242484-2SOT4	1536	1668	1757	1922	2032	2198	2473	2882
T242486-2SOT4	1816	1981	2092	2300	2439	2646	2992	3504
T242490-2SOT4	1816	1981	2092	2300	2439	2646	2992	3504
T242492-2SOT4	2051	2244	2374	2618	2780	3022	3427	4026
T242494.5-2SOT4	2051	2244	2374	2618	2780	3022	3427	4026
T242496-2SOT4	2051	2244	2374	2618	2780	3022	3427	4026
T242496.5-2SOT4	2051	2244	2374	2618	2780	3022	3427	4026
T272482.5SOT4	1581	1719	1811	1983	2099	2270	2558	2983
T272484SOT4	1581	1719	1811	1983	2099	2270	2558	2983
T272486SOT4	1874	2048	2163	2380	2523	2739	3100	3634
T272490SOT4	1874	2048	2163	2380	2523	2739	3100	3634
T272492SOT4	2120	2322	2458	2710	2879	3131	3554	4178
T272494.5SOT4	2120	2322	2458	2710	2879	3131	3554	4178
T272496SOT4	2120	2322	2458	2710	2879	3131	3554	4178
T272496.5SOT4	2120	2322	2458	2710	2879	3131	3554	4178
T302482.5SOT4	1632	1776	1872	2052	2172	2351	2652	3096
T302484SOT4	1632	1776	1872	2052	2172	2351	2652	3096
T302486SOT4	1929	2109	2229	2453	2603	2828	3201	3755
T302490SOT4	1929	2109	2229	2453	2603	2828	3201	3755
T302492SOT4	2184	2394	2534	2797	2972	3235	3672	4320
T302494.5SOT4	2184	2394	2534	2797	2972	3235	3672	4320
T302496SOT4	2184	2394	2534	2797	2972	3235	3672	4320
T302496.5SOT4	2184	2394	2534	2797	2972	3235	3672	4320
T332482.5SOT4	1681	1830	1930	2117	2242	2429	2741	3203
T332484SOT4	1681	1830	1930	2117	2242	2429	2741	3203
T332486SOT4	1985	2172	2296	2530	2684	2918	3306	3881
T332490SOT4	1985	2172	2296	2530	2684	2918	3306	3881
T332492SOT4	2250	2467	2614	2887	3067	3340	3795	4468
T332494.5SOT4	2250	2467	2614	2887	3067	3340	3795	4468
T332496SOT4	2250	2467	2614	2887	3067	3340	3795	4468
T332496.5SOT4	2250	2467	2614	2887	3067	3340	3795	4468
T362482.5SOT4	1733	1889	1993	2188	2318	2513	2838	3320
T362484SOT4	1733	1889	1993	2188	2318	2513	2838	3320
T362486SOT4	2049	2242	2372	2615	2776	3018	3423	4020
T362490SOT4	2049	2242	2372	2615	2776	3018	3423	4020
T362492SOT4	2323	2550	2702	2986	3174	3458	3931	4629
T362494.5SOT4	2323	2550	2702	2986	3174	3458	3931	4629
T362496SOT4	2323	2550	2702	2986	3174	3458	3931	4629
T362496.5SOT4	2323	2550	2702	2986	3174	3458	3931	4629

tall

Tall Drawer 24" Deep - 2 Drawers



	1	2	3	4	5	6	7	8
TD242482.54-2	1315	1472	1577	1774	1905	2103	2432	2917
TD2424844-2	1315	1472	1577	1774	1905	2103	2432	2917
TD2424864-2	1563	1750	1875	2110	2266	2500	2891	3469
TD2424904-2	1563	1750	1875	2110	2266	2500	2891	3469
TD2424924-2	1829	2048	2194	2469	2651	2926	3383	4059
TD242494.54-2	1829	2048	2194	2469	2651	2926	3383	4059
TD2424964-2	1829	2048	2194	2469	2651	2926	3383	4059
TD242496.54-2	1829	2048	2194	2469	2651	2926	3383	4059
TD272482.54-2	1388	1556	1666	1875	2013	2222	2569	3083
TD2724844-2	1388	1556	1666	1875	2013	2222	2569	3083
TD2724864-2	1650	1848	1980	2229	2393	2641	3053	3664
TD2724904-2	1650	1848	1980	2229	2393	2641	3053	3664
TD2724924-2	1931	2162	2317	2607	2800	3090	3572	4287
TD272494.54-2	1931	2162	2317	2607	2800	3090	3572	4287
TD2724964-2	1931	2162	2317	2607	2800	3090	3572	4287
TD272496.54-2	1931	2162	2317	2607	2800	3090	3572	4287
TD302482.54-2	1463	1639	1757	1976	2122	2341	2707	3249
TD3024844-2	1463	1639	1757	1976	2122	2341	2707	3249
TD3024864-2	1738	1947	2086	2346	2520	2781	3216	3858
TD3024904-2	1738	1947	2086	2346	2520	2781	3216	3858
TD3024924-2	2033	2278	2441	2746	2948	3254	3763	4515
TD302494.54-2	2033	2278	2441	2746	2948	3254	3763	4515
TD3024964-2	2033	2278	2441	2746	2948	3254	3763	4515
TD302496.54-2	2033	2278	2441	2746	2948	3254	3763	4515

TALL

PRODUCT DETAILS

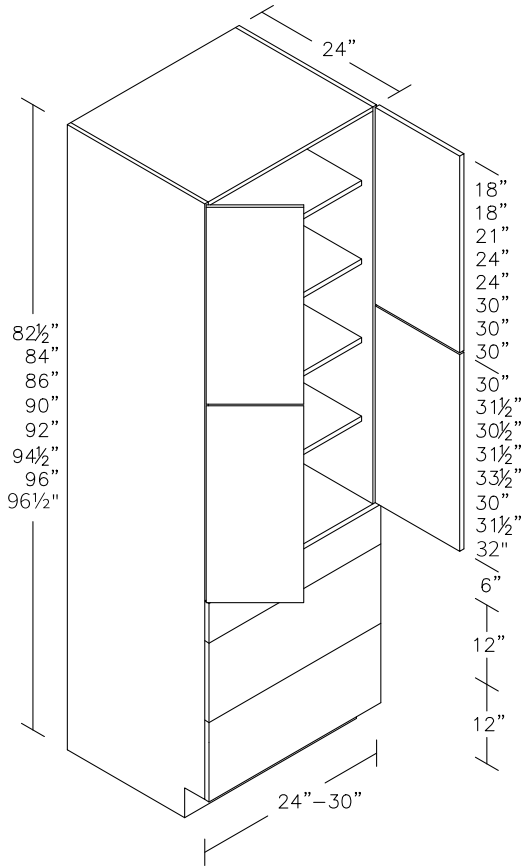
- 4 doors, 2 drawers
- Doors are pinned together
- 4 adjustable shelves
- 1 fixed shelf
- No center stile

DESIGN CONSIDERATIONS

- All tall units over 84" come with a loose toekick
- Loose toekick will show as separate line item on the Order Confirmation and come unfinished

tall

Tall Drawer 24" Deep - 3 Drawers



	1	2	3	4	5	6	7	8
TD242482.54-3	1450	1623	1739	1956	2102	2319	2681	3218
TD2424844-3	1450	1623	1739	1956	2102	2319	2681	3218
TD2424864-3	1698	1901	2037	2293	2463	2716	3142	3770
TD2424904-3	1698	1901	2037	2293	2463	2716	3142	3770
TD2424924-3	1987	2225	2384	2683	2882	3178	3676	4411
TD242494.54-3	1987	2225	2384	2683	2882	3178	3676	4411
TD2424964-3	1987	2225	2384	2683	2882	3178	3676	4411
TD242496.54-3	1987	2225	2384	2683	2882	3178	3676	4411
TD272482.54-3	1524	1707	1828	2057	2210	2439	2819	3383
TD2724844-3	1524	1707	1828	2057	2210	2439	2819	3383
TD2724864-3	1786	2000	2142	2411	2590	2857	3304	3964
TD2724904-3	1786	2000	2142	2411	2590	2857	3304	3964
TD2724924-3	2089	2340	2506	2820	3030	3343	3866	4638
TD272494.54-3	2089	2340	2506	2820	3030	3343	3866	4638
TD2724964-3	2089	2340	2506	2820	3030	3343	3866	4638
TD272496.54-3	2089	2340	2506	2820	3030	3343	3866	4638
TD302482.54-3	1598	1790	1919	2158	2318	2558	2957	3548
TD3024844-3	1598	1790	1919	2158	2318	2558	2957	3548
TD3024864-3	1873	2099	2247	2529	2715	2997	3465	4159
TD3024904-3	1873	2099	2247	2529	2715	2997	3465	4159
TD3024924-3	2191	2455	2629	2959	3177	3507	4054	4866
TD302494.54-3	2191	2455	2629	2959	3177	3507	4054	4866
TD3024964-3	2191	2455	2629	2959	3177	3507	4054	4866
TD302496.54-3	2191	2455	2629	2959	3177	3507	4054	4866

PRODUCT DETAILS

- 4 doors, 3 drawers
- 4 adjustable shelves
- Doors are pinned together
- 1 interior fixed shelf
- No center stile

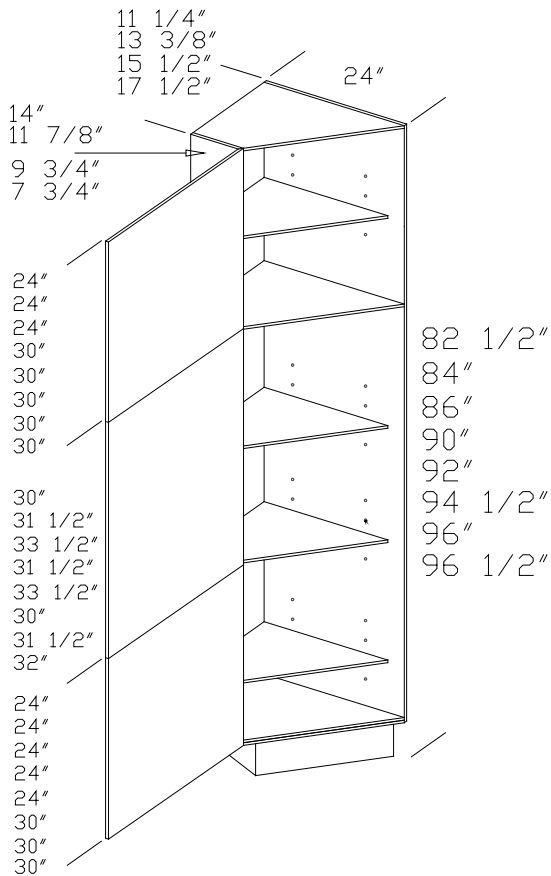
DESIGN CONSIDERATIONS

- All tall units over 84" come with a loose toekick
- Loose toekick will show as separate line item on the Order Confirmation and come unfinished

tall

1 2 3 4 5 6 7 8

Tall End



TE(L/R)1182.5	907	1016	1088	1223	1315	1451	1676	2011
TE(L/R)1184	907	1016	1088	1223	1315	1451	1676	2011
TE(L/R)1186	1080	1210	1296	1457	1565	1727	1997	2396
TE(L/R)1190	1080	1210	1296	1457	1565	1727	1997	2396
TE(L/R)1192	1263	1415	1516	1705	1831	2021	2336	2804
TE(L/R)1194.5	1263	1415	1516	1705	1831	2021	2336	2804
TE(L/R)1196	1263	1415	1516	1705	1831	2021	2336	2804
TE(L/R)1196.5	1263	1415	1516	1705	1831	2021	2336	2804
TE(L/R)1382.5	969	1086	1163	1308	1405	1551	1793	2152
TE(L/R)1384	969	1086	1163	1308	1405	1551	1793	2152
TE(L/R)1386	1154	1293	1384	1558	1673	1846	2135	2563
TE(L/R)1390	1154	1293	1384	1558	1673	1846	2135	2563
TE(L/R)1392	1351	1512	1619	1823	1958	2160	2498	2998
TE(L/R)1394.5	1351	1512	1619	1823	1958	2160	2498	2998
TE(L/R)1396	1351	1512	1619	1823	1958	2160	2498	2998
TE(L/R)1396.5	1351	1512	1619	1823	1958	2160	2498	2998
TE(L/R)1582.5	1034	1159	1241	1396	1500	1655	1913	2295
TE(L/R)1584	1034	1159	1241	1396	1500	1655	1913	2295
TE(L/R)1586	1219	1366	1462	1645	1768	1950	2255	2706
TE(L/R)1590	1219	1366	1462	1645	1768	1950	2255	2706
TE(L/R)1592	1426	1597	1711	1925	2069	2282	2638	3166
TE(L/R)1594.5	1426	1597	1711	1925	2069	2282	2638	3166
TE(L/R)1596	1426	1597	1711	1925	2069	2282	2638	3166
TE(L/R)1596.5	1426	1597	1711	1925	2069	2282	2638	3166
TE(L/R)1782.5	1099	1230	1319	1483	1593	1759	2033	2440
TE(L/R)1784	1099	1230	1319	1483	1593	1759	2033	2440
TE(L/R)1786	1283	1438	1540	1734	1862	2054	2375	2851
TE(L/R)1790	1283	1438	1540	1734	1862	2054	2375	2851
TE(L/R)1792	1502	1683	1802	2028	2178	2403	2779	3335
TE(L/R)1794.5	1502	1683	1802	2028	2178	2403	2779	3335
TE(L/R)1796	1502	1683	1802	2028	2178	2403	2779	3335
TE(L/R)1796.5	1502	1683	1802	2028	2178	2403	2779	3335

PRODUCT DETAILS

- 3 doors, top door operates independently; middle and bottom doors are pinned and operate as one
- Doors are hinged on the smaller side
- 82½", 84" and 86" units have 4 adjustable shelves and 1 fixed shelf
- 90" and 92" units have 5 adjustable shelves and 1 fixed shelf
- 94½", 96" and 96½" units have 6 adjustable shelves and 1 fixed shelf
- Doors are at a 45° degree angle
- L=left end of run, R=right end of run

DESIGN CONSIDERATIONS

- All tall units come with a loose toekick
- Loose toekick will show as separate line item on the Order Confirmation and come unfinished
- No modifications

(L/R) specify L (hinge left) or R (hinge right) to cabinet code

tall

1	2	3	4	5	6	7	8
---	---	---	---	---	---	---	---

Tall Pantry Pull Out - 3 Doors



Diagram shows full height unit

T122484PP12FH	3758	3850	3912	4029	4107	4223	4417	4704
T122490PP12FH	3912	4025	4099	4240	4333	4472	4706	5051
T122494.5PP12FH	3912	4025	4099	4240	4333	4472	4706	5051
T182484PP18FH	3798	3897	3961	4085	4166	4289	4494	4796
T182490PP18FH	4042	4170	4255	4415	4521	4680	4946	5339
T182494.5PP18FH	4042	4170	4255	4415	4521	4680	4946	5339
T122496PP12FH	3912	4025	4099	4240	4333	4472	4706	5051
T182496PP18FH	4042	4170	4255	4415	4521	4680	4946	5339
T122484PP12-3/4	3758	3850	3912	4029	4107	4223	4417	4704
T122490PP12-3/4	3912	4025	4099	4240	4333	4472	4706	5051
T122494.5PP12-3/4	3912	4025	4099	4240	4333	4472	4706	5051
T182484PP18-3/4	3798	3897	3961	4085	4166	4289	4494	4796
T182490PP18-3/4	4042	4170	4255	4415	4521	4680	4946	5339
T182494.5PP18-3/4	4042	4170	4255	4415	4521	4680	4946	5339
T122496PP12-3/4	3912	4025	4099	4240	4333	4472	4706	5051
T182496PP18-3/4	4042	4170	4255	4415	4521	4680	4946	5339

TALL

PRODUCT DETAILS

- On full height door units, doors are pinned and operate as one
- On ¾" height door units, top door opens independently

Tall Pantry Wine Rack Pull Out - 3 Doors



T62484PPWR	1832	1915	1970	2073	2142	2245	2417	2671
T62490PPWR	1976	2075	2141	2265	2348	2473	2681	2988
T62494.5PPWR	2117	2233	2311	2455	2553	2699	2942	3301
T92484PPWR	1884	1974	2033	2143	2217	2328	2514	2786
T92490PPWR	2036	2143	2215	2347	2437	2571	2793	3123
T92494.5PPWR	2188	2313	2397	2551	2656	2813	3073	3459

PRODUCT DETAILS

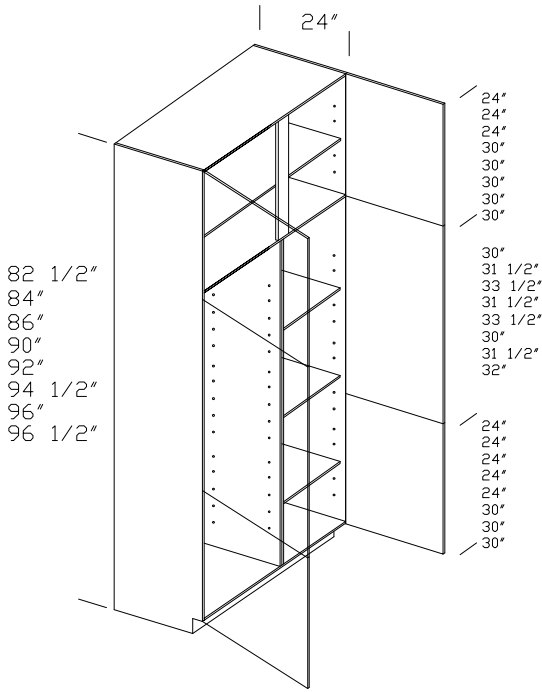
- 3 doors are pinned together and operate as one door
- 6" wide units will have slab doors
- 9" wide units will have recessed doors only
- 90" and 94½" units have 1 fixed shelf in top section
- Wine Rack holds 16 25.36oz/750ml bottles

DESIGN CONSIDERATIONS

- All tall units over 84" come with a loose toekick
- Loose toekick will show as separate line item on the Order Confirmation and come unfinished
- Arched door styles cannot be used on these units
- No depth modifications

tall

Tall Utility with Pot and Pan Hanging Hardware (to be used for brooms)



	1	2	3	4	5	6	7	8
TU302482.5PAN(L/R)	2360	2513	2612	2803	2930	3120	3437	3906
TU302484PAN(L/R)	2360	2513	2612	2803	2930	3120	3437	3906
TU302486PAN(L/R)	2589	2768	2888	3113	3262	3487	3860	4415
TU302490PAN(L/R)	2589	2768	2888	3113	3262	3487	3860	4415
TU302492PAN(L/R)	2843	3053	3194	3456	3632	3895	4332	4980
TU302494.5PAN(L/R)	2843	3053	3194	3456	3632	3895	4332	4980
TU302496PAN(L/R)	2843	3053	3194	3456	3632	3895	4332	4980
TU302496.5PAN(L/R)	2843	3053	3194	3456	3632	3895	4332	4980
TU362482.5PAN(L/R)	2462	2626	2735	2940	3077	3283	3625	4132
TU362484PAN(L/R)	2462	2626	2735	2940	3077	3283	3625	4132
TU362486PAN(L/R)	2708	2902	3032	3274	3435	3677	4082	4679
TU362490PAN(L/R)	2708	2902	3032	3274	3435	3677	4082	4679
TU362492PAN(L/R)	2983	3209	3361	3645	3833	4117	4591	5288
TU362494.5PAN(L/R)	2983	3209	3361	3645	3833	4117	4591	5288
TU362496PAN(L/R)	2983	3209	3361	3645	3833	4117	4591	5288
TU362496.5PAN(L/R)	2983	3209	3361	3645	3833	4117	4591	5288

INSTALLED HARDWARE



PRODUCT DETAILS

- Hardware from Pot and Pan Pullout is used in this cabinet to hold brooms and other tall cleaning tools
- 6 doors, top doors operate independently; middle and bottom doors are pinned and operate as one
- 82 1/2", 84" and 86" units have 4 adjustable shelves and 1 fixed shelf
- 90" and 92" units have 5 adjustable shelves and 1 fixed shelf
- 94 1/2", 96" & 96 1/2" have 6 adjustable shelves and 1 fixed shelf
- 30" width has no center stile
- Indicate left (L) or right (R) after code to indicate the side to install the pullout
- Minimum depth is 24"
- Hardware comes with 7 hooks
- Weight capacity 100 lbs

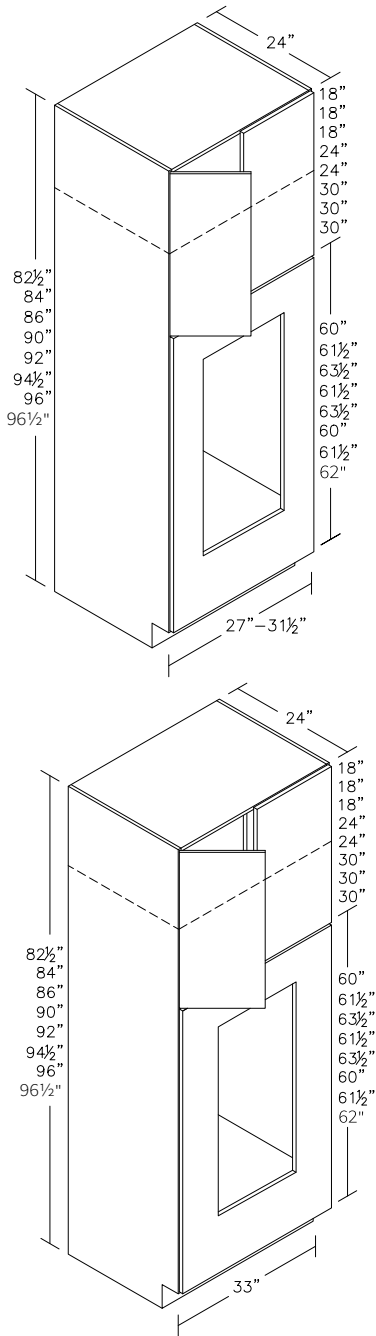
DESIGN CONSIDERATIONS

- All tall units over 84" come with a loose toe kick
- Loose toe kicks will show as separate line items on the Order Confirmation and come unfinished

(L/R) specify L (hinge left) or R (hinge right) to cabinet code

tall

Tall Double Oven with No Drawer



PRODUCT DETAILS

- 2 doors, no drawer
- 90" and 92" units have 1 adjustable shelf
- 94½", 96" and 96½" units have 2 adjustable shelves
- No adjustable shelf in 82.5", 84" and 86" units
- 30" and 31½" widths have no center stile

DESIGN CONSIDERATIONS

- All tall units over 84" come with a loose toekick
- Loose toekick will show as separate line item on the Order Confirmation and come unfinished
- Width of filler overlay panel opening can be enlarged to 4" less than the cabinet width; panel mounting brackets will interfere with wider widths

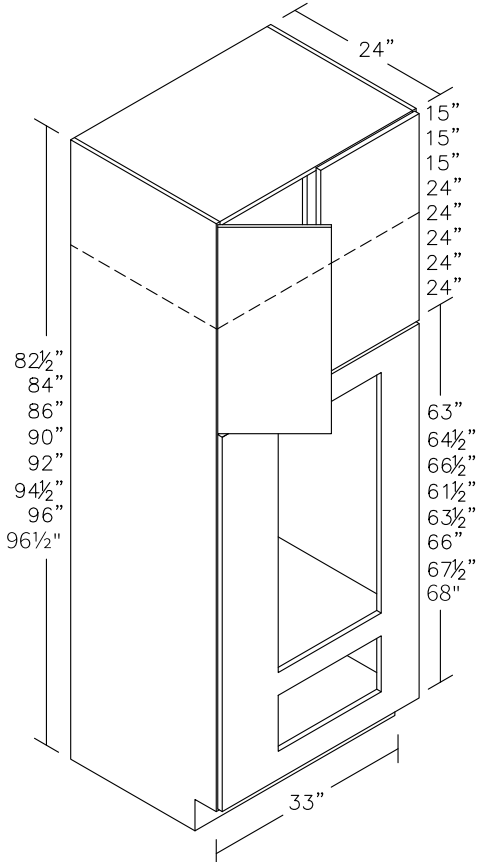
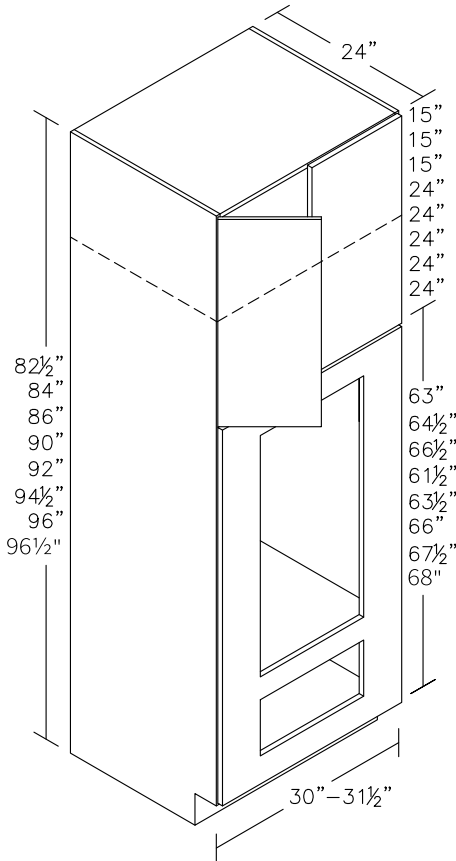
	1	2	3	4	5	6	7	8
TDO2782.5-0	994	1113	1193	1343	1441	1590	1839	2207
TDO2784-0	994	1113	1193	1343	1441	1590	1839	2207
TDO2786-0	1198	1343	1438	1618	1738	1918	2217	2660
TDO2790-0	1198	1343	1438	1618	1738	1918	2217	2660
TDO2792-0	1402	1570	1683	1894	2033	2243	2594	3113
TDO2794.5-0	1402	1570	1683	1894	2033	2243	2594	3113
TDO2796-0	1402	1570	1683	1894	2033	2243	2594	3113
TDO2796.5-0	1402	1570	1683	1894	2033	2243	2594	3113
TDO3082.5-0	1044	1169	1252	1409	1513	1670	1930	2317
TDO3084-0	1044	1169	1252	1409	1513	1670	1930	2317
TDO3086-0	1256	1407	1508	1697	1822	2010	2325	2790
TDO3090-0	1256	1407	1508	1697	1822	2010	2325	2790
TDO3092-0	1470	1646	1765	1985	2132	2352	2721	3265
TDO3094.5-0	1470	1646	1765	1985	2132	2352	2721	3265
TDO3096-0	1470	1646	1765	1985	2132	2352	2721	3265
TDO3096.5-0	1470	1646	1765	1985	2132	2352	2721	3265
TDO31.582.5-0	1084	1209	1292	1449	1553	1710	1970	2357
TDO31.584-0	1084	1209	1292	1449	1553	1710	1970	2357
TDO31.586-0	1296	1447	1548	1737	1862	2050	2365	2830
TDO31.590-0	1296	1447	1548	1737	1862	2050	2365	2830
TDO31.592-0	1510	1686	1805	2025	2172	2392	2761	3305
TDO31.594.5-0	1510	1686	1805	2025	2172	2392	2761	3305
TDO31.596-0	1510	1686	1805	2025	2172	2392	2761	3305
TDO31.596.5-0	1510	1686	1805	2025	2172	2392	2761	3305
TDO3382.5-0	1090	1221	1308	1472	1581	1745	2018	2421
TDO3384-0	1090	1221	1308	1472	1581	1745	2018	2421
TDO3386-0	1309	1466	1571	1768	1899	2097	2423	2908
TDO3390-0	1309	1466	1571	1768	1899	2097	2423	2908
TDO3392-0	1532	1716	1839	2069	2221	2453	2835	3402
TDO3394.5-0	1532	1716	1839	2069	2221	2453	2835	3402
TDO3396-0	1532	1716	1839	2069	2221	2453	2835	3402
TDO3396.5-0	1532	1716	1839	2069	2221	2453	2835	3402

TALL

	Opening	27" Wide	30" Wide	31.5" Wide	33" Wide
	W x H	Opening Max W x H	Opening Max W x H	Opening Max W x H	Opening Max W x H
TDO_82.5-0	17" x 36"	23 ⁷ / ₈ " x 56 ⁷ / ₈ "	26 ⁷ / ₈ " x 56 ⁷ / ₈ "	28 ³ / ₈ " x 56 ⁷ / ₈ "	29 ⁷ / ₈ " x 56 ⁷ / ₈ "
TDO_84-0	17" x 36"	23 ⁷ / ₈ " x 58 ³ / ₈ "	26 ⁷ / ₈ " x 58 ³ / ₈ "	28 ³ / ₈ " x 58 ³ / ₈ "	29 ⁷ / ₈ " x 58 ³ / ₈ "
TDO_86-0	17" x 36"	23 ⁷ / ₈ " x 60 ³ / ₈ "	26 ⁷ / ₈ " x 60 ³ / ₈ "	28 ³ / ₈ " x 60 ³ / ₈ "	29 ⁷ / ₈ " x 60 ³ / ₈ "
TDO_90-0	17" x 36"	23 ⁷ / ₈ " x 58 ³ / ₈ "	26 ⁷ / ₈ " x 58 ³ / ₈ "	28 ³ / ₈ " x 58 ³ / ₈ "	29 ⁷ / ₈ " x 58 ³ / ₈ "
TDO_92-0	17" x 36"	23 ⁷ / ₈ " x 60 ³ / ₈ "	26 ⁷ / ₈ " x 60 ³ / ₈ "	28 ³ / ₈ " x 60 ³ / ₈ "	29 ⁷ / ₈ " x 60 ³ / ₈ "
TDO_94.5-0	17" x 36"	23 ⁷ / ₈ " x 56 ⁷ / ₈ "	26 ⁷ / ₈ " x 56 ⁷ / ₈ "	28 ³ / ₈ " x 56 ⁷ / ₈ "	29 ⁷ / ₈ " x 56 ⁷ / ₈ "
TDO_96-0	17" x 36"	23 ⁷ / ₈ " x 58 ³ / ₈ "	26 ⁷ / ₈ " x 58 ³ / ₈ "	28 ³ / ₈ " x 58 ³ / ₈ "	29 ⁷ / ₈ " x 58 ³ / ₈ "
TDO_96.50	17" x 36"	23 ⁷ / ₈ " x 58 ³ / ₈ "	26 ⁷ / ₈ " x 58 ³ / ₈ "	28 ³ / ₈ " x 58 ³ / ₈ "	29 ⁷ / ₈ " x 58 ³ / ₈ "

- The chart above is applicable to wood door styles
- HDF, Melamine, Veneer and Acrylic panels have a maximum cutout size of 3" smaller than sizes listed in above chart

Tall Double Oven with Warming Drawer



	1	2	3	4	5	6	7	8
TDOW3082.5-0	1044	1169	1252	1409	1513	1670	1930	2317
TDOW3084-0	1044	1169	1252	1409	1513	1670	1930	2317
TDOW3086-0	1256	1407	1508	1697	1822	2010	2325	2790
TDOW3090-0	1256	1407	1508	1697	1822	2010	2325	2790
TDOW3092-0	1470	1646	1765	1985	2132	2352	2721	3265
TDOW3094.5-0	1470	1646	1765	1985	2132	2352	2721	3265
TDOW3096-0	1470	1646	1765	1985	2132	2352	2721	3265
TDOW3096.5-0	1470	1646	1765	1985	2132	2352	2721	3265
TDOW31.582.5-0	1084	1209	1292	1449	1553	1710	1970	2357
TDOW31.584-0	1084	1209	1292	1449	1553	1710	1970	2357
TDOW31.586-0	1296	1447	1548	1737	1862	2050	2365	2830
TDOW31.590-0	1296	1447	1548	1737	1862	2050	2365	2830
TDOW31.592-0	1510	1686	1805	2025	2172	2392	2761	3305
TDOW31.594.5-0	1510	1686	1805	2025	2172	2392	2761	3305
TDOW31.596-0	1510	1686	1805	2025	2172	2392	2761	3305
TDOW31.596.5-0	1510	1686	1805	2025	2172	2392	2761	3305
TDOW3382.5-0	1090	1221	1308	1472	1581	1745	2018	2421
TDOW3384-0	1090	1221	1308	1472	1581	1745	2018	2421
TDOW3386-0	1309	1466	1571	1768	1899	2097	2423	2908
TDOW3390-0	1309	1466	1571	1768	1899	2097	2423	2908
TDOW3392-0	1532	1716	1839	2069	2221	2453	2835	3402
TDOW3394.5-0	1532	1716	1839	2069	2221	2453	2835	3402
TDOW3396-0	1532	1716	1839	2069	2221	2453	2835	3402
TDOW3396.5-0	1532	1716	1839	2069	2221	2453	2835	3402

			30" Wide		31.5" Wide		33" Wide	
	Top Opening W x H	Bottom Opening W x H	Top Opening Max W x H	Bottom Opening Max W x H	Top Opening Max W x H	Bottom Opening Max W x H	Top Opening Max W x H	Bottom Opening Max W x H
TDOW_82.5-0	17" x 36"	17" x 8"	26 ⁷ / ₈ " x 49 ³ / ₈ "	26 ⁷ / ₈ " x 9"	28 ³ / ₈ " x 49 ³ / ₈ "	28 ³ / ₈ " x 9"	29 ⁷ / ₈ " x 49 ³ / ₈ "	29 ⁷ / ₈ " x 9"
TDOW_84-0	17" x 36"	17" x 8"	26 ⁷ / ₈ " x 50 ⁷ / ₈ "	26 ⁷ / ₈ " x 9"	28 ³ / ₈ " x 50 ⁷ / ₈ "	28 ³ / ₈ " x 9"	29 ⁷ / ₈ " x 50 ⁷ / ₈ "	29 ⁷ / ₈ " x 9"
TDOW_86-0	17" x 36"	17" x 8"	26 ⁷ / ₈ " x 52 ⁷ / ₈ "	26 ⁷ / ₈ " x 9"	28 ³ / ₈ " x 52 ⁷ / ₈ "	28 ³ / ₈ " x 9"	29 ⁷ / ₈ " x 52 ⁷ / ₈ "	29 ⁷ / ₈ " x 9"
TDOW_90-0	17" x 36"	17" x 8"	26 ⁷ / ₈ " x 47 ³ / ₈ "	26 ⁷ / ₈ " x 9"	28 ³ / ₈ " x 47 ³ / ₈ "	28 ³ / ₈ " x 9"	29 ⁷ / ₈ " x 47 ³ / ₈ "	29 ⁷ / ₈ " x 9"
TDOW_92-0	17" x 36"	17" x 8"	26 ⁷ / ₈ " x 49 ³ / ₈ "	26 ⁷ / ₈ " x 9"	28 ³ / ₈ " x 49 ³ / ₈ "	28 ³ / ₈ " x 9"	29 ⁷ / ₈ " x 49 ³ / ₈ "	29 ⁷ / ₈ " x 9"
TDOW_94.5-0	17" x 36"	17" x 8"	26 ⁷ / ₈ " x 52 ³ / ₈ "	26 ⁷ / ₈ " x 9"	28 ³ / ₈ " x 52 ³ / ₈ "	28 ³ / ₈ " x 9"	29 ⁷ / ₈ " x 52 ³ / ₈ "	29 ⁷ / ₈ " x 9"
TDOW_96-0	17" x 36"	17" x 8"	26 ⁷ / ₈ " x 53 ³ / ₈ "	26 ⁷ / ₈ " x 9"	28 ³ / ₈ " x 53 ³ / ₈ "	28 ³ / ₈ " x 9"	29 ⁷ / ₈ " x 53 ³ / ₈ "	29 ⁷ / ₈ " x 9"
TDOW_96.5-0	17" x 36"	17" x 8"	26 ⁷ / ₈ " x 54 ³ / ₈ "	26 ⁷ / ₈ " x 9"	28 ³ / ₈ " x 54 ³ / ₈ "	28 ³ / ₈ " x 9"	29 ⁷ / ₈ " x 54 ³ / ₈ "	29 ⁷ / ₈ " x 9"

- The chart above is applicable to wood door styles
- HDF, Melamine, Veneer and Acrylic panels have a maximum cutout size of 3" smaller than sizes listed in above chart

PRODUCT DETAILS

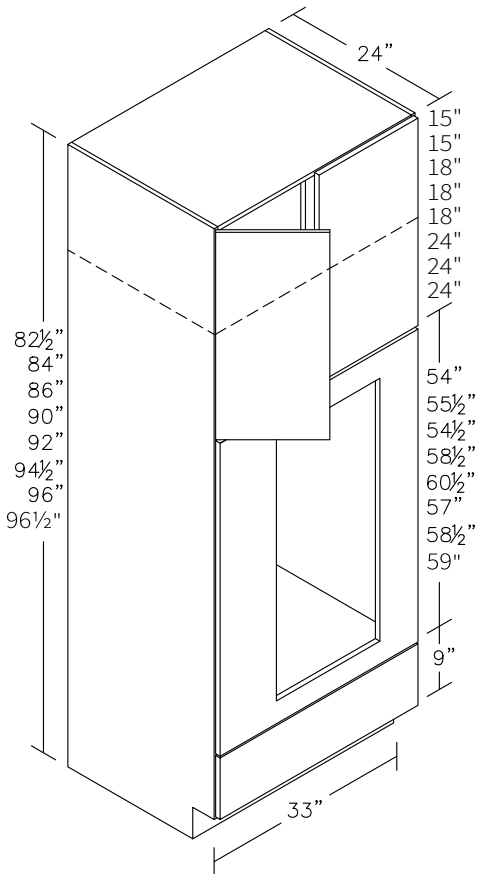
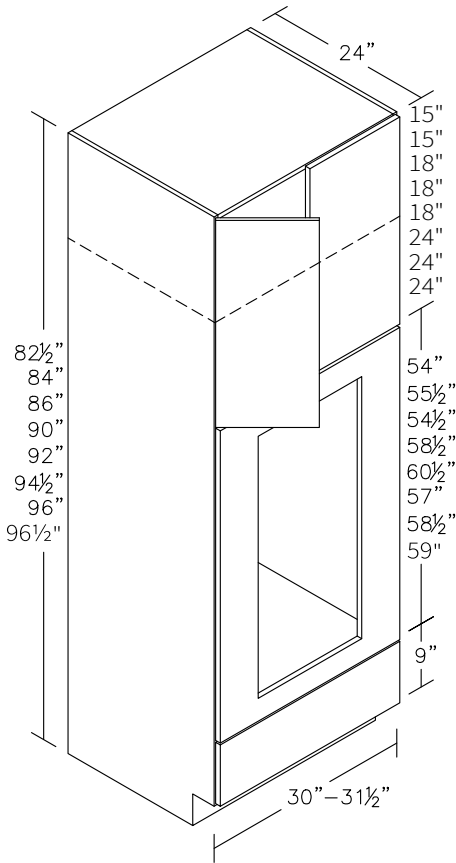
- 2 doors, no drawer
- 90", 92", 94¹/₂", 96" and 96¹/₂" units have 1 adjustable shelf
- No adjustable shelf in 82.5", 84" and 86" units
- Shelf for top cutout is adjustable
- 30" and 31¹/₂" widths have no center stile

DESIGN CONSIDERATIONS

- All tall units over 84" come with a loose toekick
- Loose toekick will show as separate line item on the Order Confirmation and come unfinished
- Width of filler overlay panel opening can be enlarged to 4" less than the cabinet width; panel mounting brackets will interfere with wider widths

tall

Tall Double Oven with 9" High Drawer



	1	2	3	4	5	6	7	8
--	---	---	---	---	---	---	---	---

TDO3082.5-9	1194	1336	1433	1612	1732	1910	2209	2650
TDO3084-9	1194	1336	1433	1612	1732	1910	2209	2650
TDO3086-9	1408	1577	1689	1901	2043	2253	2605	3126
TDO3090-9	1408	1577	1689	1901	2043	2253	2605	3126
TDO3092-9	1647	1845	1976	2225	2390	2635	3048	3658
TDO3094.5-9	1647	1845	1976	2225	2390	2635	3048	3658
TDO3096-9	1647	1845	1976	2225	2390	2635	3048	3658
TDO3096.5-9	1647	1845	1976	2225	2390	2635	3048	3658
TDO31.582.5-9	1234	1376	1473	1652	1772	1950	2249	2690
TDO31.584-9	1234	1376	1473	1652	1772	1950	2249	2690
TDO31.586-9	1448	1617	1729	1941	2083	2293	2645	3166
TDO31.590-9	1448	1617	1729	1941	2083	2293	2645	3166
TDO31.592-9	1687	1885	2016	2265	2430	2675	3088	3698
TDO31.594.5-9	1687	1885	2016	2265	2430	2675	3088	3698
TDO31.596-9	1687	1885	2016	2265	2430	2675	3088	3698
TDO31.596.5-9	1687	1885	2016	2265	2430	2675	3088	3698
TDO3382.5-9	1244	1394	1492	1680	1804	1991	2302	2762
TDO3384-9	1244	1394	1492	1680	1804	1991	2302	2762
TDO3386-9	1461	1637	1753	1973	2118	2338	2703	3244
TDO3390-9	1461	1637	1753	1973	2118	2338	2703	3244
TDO3392-9	1710	1916	2052	2308	2478	2735	3163	3795
TDO3394.5-9	1710	1916	2052	2308	2478	2735	3163	3795
TDO3396-9	1710	1916	2052	2308	2478	2735	3163	3795
TDO3396.5-9	1710	1916	2052	2308	2478	2735	3163	3795

TALL

	Opening W x H	30" Wide	31.5" Wide	33" Wide
		Opening Max W x H	Opening Max W x H	Opening Max W x H
TDO_82.5-9	17" x 36"	26 ⁷ / ₈ " x 50 ⁷ / ₈ "	28 ³ / ₈ " x 50 ⁷ / ₈ "	29 ⁷ / ₈ " x 50 ⁷ / ₈ "
TDO_84-9	17" x 36"	26 ⁷ / ₈ " x 52 ³ / ₈ "	28 ³ / ₈ " x 52 ³ / ₈ "	29 ⁷ / ₈ " x 52 ³ / ₈ "
TDO_86-9	17" x 36"	26 ⁷ / ₈ " x 51 ³ / ₈ "	28 ³ / ₈ " x 51 ³ / ₈ "	29 ⁷ / ₈ " x 51 ³ / ₈ "
TDO_90-9	17" x 36"	26 ⁷ / ₈ " x 55 ³ / ₈ "	28 ³ / ₈ " x 55 ³ / ₈ "	29 ⁷ / ₈ " x 55 ³ / ₈ "
TDO_92-9	17" x 36"	26 ⁷ / ₈ " x 57 ³ / ₈ "	28 ³ / ₈ " x 57 ³ / ₈ "	29 ⁷ / ₈ " x 57 ³ / ₈ "
TDO_94.5-9	17" x 36"	26 ⁷ / ₈ " x 55 ³ / ₈ "	28 ³ / ₈ " x 55 ³ / ₈ "	29 ⁷ / ₈ " x 55 ³ / ₈ "
TDO_96-9	17" x 36"	26 ⁷ / ₈ " x 55 ³ / ₈ "	28 ³ / ₈ " x 55 ³ / ₈ "	29 ⁷ / ₈ " x 55 ³ / ₈ "
TDO_96.5-9	17" x 36"	26 ⁷ / ₈ " x 55 ³ / ₈ "	28 ³ / ₈ " x 55 ³ / ₈ "	29 ⁷ / ₈ " x 55 ³ / ₈ "

- The chart above is applicable to wood door styles
- HDF, Melamine, Veneer and Acrylic panels have a maximum cutout size of 3" smaller than sizes listed in above chart

PRODUCT DETAILS

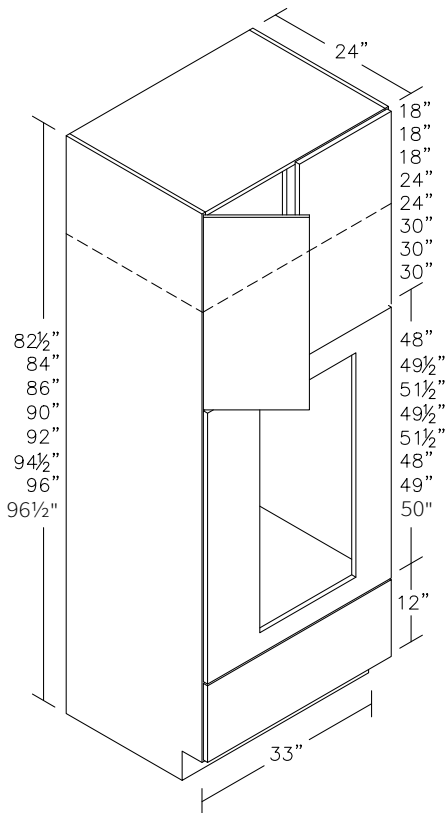
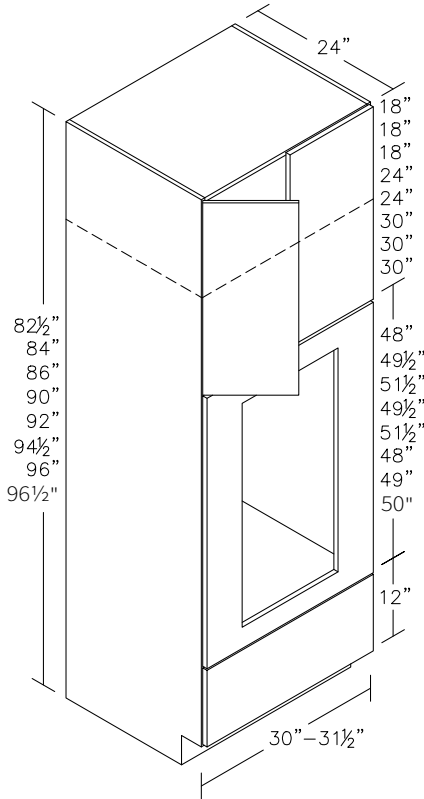
- 2 doors, 1 drawer
- 94 1/2", 96" and 96 1/2" units have 1 adjustable shelf
- 30" and 31 1/2" widths have no center stile

DESIGN CONSIDERATIONS

- All tall units over 84" come with a loose toekick
- Loose toekick will show as separate line item on the Order Confirmation and come unfinished
- Width of filler overlay panel opening can be enlarged to 4" less than the cabinet width; panel mounting brackets will interfere with wider widths

tall

Tall Double Oven with 12" High Drawer



	1	2	3	4	5	6	7	8
TDO3082.5-12	1194	1336	1433	1612	1732	1910	2209	2650
TDO3084-12	1194	1336	1433	1612	1732	1910	2209	2650
TDO3086-12	1408	1577	1689	1901	2043	2253	2605	3126
TDO3090-12	1408	1577	1689	1901	2043	2253	2605	3126
TDO3092-12	1647	1845	1976	2225	2390	2635	3048	3658
TDO3094.5-12	1647	1845	1976	2225	2390	2635	3048	3658
TDO3096-12	1647	1845	1976	2225	2390	2635	3048	3658
TDO3096.5-12	1647	1845	1976	2225	2390	2635	3048	3658
TDO31.582.5-12	1234	1376	1473	1652	1772	1950	2249	2690
TDO31.584-12	1234	1376	1473	1652	1772	1950	2249	2690
TDO31.586-12	1448	1617	1729	1941	2083	2293	2645	3166
TDO31.590-12	1448	1617	1729	1941	2083	2293	2645	3166
TDO31.592-12	1687	1885	2016	2265	2430	2675	3088	3698
TDO31.594.5-12	1687	1885	2016	2265	2430	2675	3088	3698
TDO31.596-12	1687	1885	2016	2265	2430	2675	3088	3698
TDO31.596.5-12	1687	1885	2016	2265	2430	2675	3088	3698
TDO3382.5-12	1244	1394	1492	1680	1804	1991	2302	2762
TDO3384-12	1244	1394	1492	1680	1804	1991	2302	2762
TDO3386-12	1461	1637	1753	1973	2118	2338	2703	3244
TDO3390-12	1461	1637	1753	1973	2118	2338	2703	3244
TDO3392-12	1710	1916	2052	2308	2478	2735	3163	3795
TDO3394.5-12	1710	1916	2052	2308	2478	2735	3163	3795
TDO3396-12	1710	1916	2052	2308	2478	2735	3163	3795
TDO3396.5-12	1710	1916	2052	2308	2478	2735	3163	3795

		27" Wide	30" Wide	31.5" Wide	33" Wide
	Opening W x H	Opening Max W x H	Opening Max W x H	Opening Max W x H	Opening Max W x H
TDO_82.5-12	17" x 36"	23 ⁷ / ₈ " x 44 ⁷ / ₈ "	26 ⁷ / ₈ " x 44 ⁷ / ₈ "	28 ³ / ₈ " x 47 ⁷ / ₈ "	29 ⁷ / ₈ " x 47 ⁷ / ₈ "
TDO_84-12	17" x 36"	23 ⁷ / ₈ " x 46 ³ / ₈ "	26 ⁷ / ₈ " x 46 ³ / ₈ "	28 ³ / ₈ " x 46 ³ / ₈ "	29 ⁷ / ₈ " x 46 ³ / ₈ "
TDO_86-12	17" x 36"	23 ⁷ / ₈ " x 48 ³ / ₈ "	26 ⁷ / ₈ " x 48 ³ / ₈ "	28 ³ / ₈ " x 48 ³ / ₈ "	29 ⁷ / ₈ " x 48 ³ / ₈ "
TDO_90-12	17" x 36"	23 ⁷ / ₈ " x 46 ³ / ₈ "	26 ⁷ / ₈ " x 46 ³ / ₈ "	28 ³ / ₈ " x 46 ³ / ₈ "	29 ⁷ / ₈ " x 46 ³ / ₈ "
TDO_92-12	17" x 36"	23 ⁷ / ₈ " x 48 ³ / ₈ "	26 ⁷ / ₈ " x 48 ³ / ₈ "	28 ³ / ₈ " x 48 ³ / ₈ "	29 ⁷ / ₈ " x 48 ³ / ₈ "
TDO_94.5-12	17" x 36"	23 ⁷ / ₈ " x 44 ⁷ / ₈ "	26 ⁷ / ₈ " x 44 ⁷ / ₈ "	28 ³ / ₈ " x 44 ⁷ / ₈ "	29 ⁷ / ₈ " x 44 ⁷ / ₈ "
TDO_96-12	17" x 36"	23 ⁷ / ₈ " x 46 ³ / ₈ "	26 ⁷ / ₈ " x 46 ³ / ₈ "	28 ³ / ₈ " x 46 ³ / ₈ "	29 ⁷ / ₈ " x 46 ³ / ₈ "
TDO_96.5-12	17" x 36"	23 ⁷ / ₈ " x 46 ⁷ / ₈ "	26 ⁷ / ₈ " x 46 ⁷ / ₈ "	28 ³ / ₈ " x 46 ⁷ / ₈ "	29 ⁷ / ₈ " x 46 ⁷ / ₈ "

- The chart above is applicable to wood door styles
- HDF, Melamine, Veneer, and Acrylic panels have a maximum cutout size of 3" smaller than sizes listed in above chart

PRODUCT DETAILS

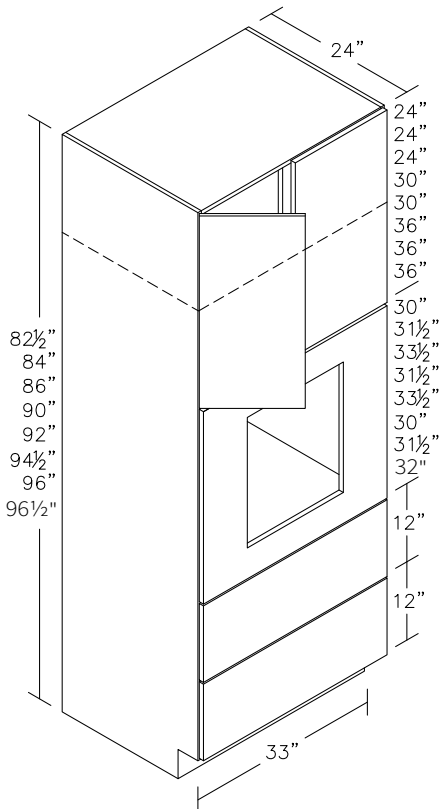
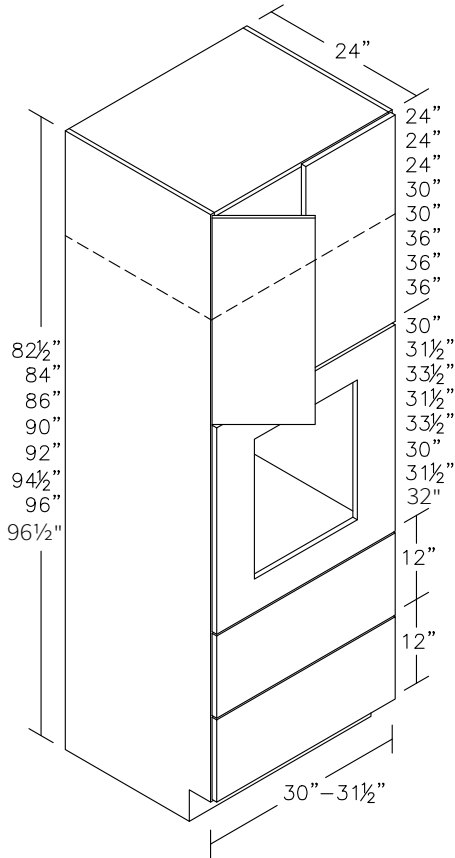
- 2 doors, 1 drawer
- 90" and 92" units have 1 adjustable shelf
- 94½", 96" and 96½" units have 2 adjustable shelves
- 30" and 31½" widths have no center stile
- 82.5", 84" and 86" units have no adjustable shelf

DESIGN CONSIDERATIONS

- All tall units over 84" come with a loose toekick
- Loose toekick will show as separate line item on the Order Confirmation and come unfinished
- Width of filler overlay panel opening can be enlarged to 4" less than the cabinet width; panel mounting brackets will interfere with wider widths

tall

Tall Oven



	1	2	3	4	5	6	7	8
--	---	---	---	---	---	---	---	---

TOV3082.52-2	1349	1511	1618	1820	1955	2158	2495	2744
TOV30842-2	1349	1511	1618	1820	1955	2158	2495	2744
TOV30862-2	1588	1779	1906	2144	2303	2541	2938	3526
TOV30902-2	1588	1779	1906	2144	2303	2541	2938	3526
TOV30922-2	1858	2081	2230	2508	2695	2973	3437	4125
TOV3094.52-2	1858	2081	2230	2508	2695	2973	3437	4125
TOV30962-2	1858	2081	2230	2508	2695	2973	3437	4125
TOV3096.52-2	1858	2081	2230	2508	2695	2973	3437	4125
TOV31.582.52-2	1389	1551	1658	1860	1995	2198	2535	2784
TOV31.5842-2	1389	1551	1658	1860	1995	2198	2535	2784
TOV31.5862-2	1628	1819	1946	2184	2343	2581	2978	3566
TOV31.5902-2	1628	1819	1946	2184	2343	2581	2978	3566
TOV31.5922-2	1898	2121	2270	2548	2735	3013	3477	4165
TOV31.594.52-2	1898	2121	2270	2548	2735	3013	3477	4165
TOV31.5962-2	1898	2121	2270	2548	2735	3013	3477	4165
TOV31.596.52-2	1898	2121	2270	2548	2735	3013	3477	4165
TOV3382.52-2	1404	1572	1685	1895	2035	2246	2597	3116
TOV33842-2	1404	1572	1685	1895	2035	2246	2597	3116
TOV33862-2	1650	1848	1980	2228	2394	2642	3053	3664
TOV33902-2	1650	1848	1980	2228	2394	2642	3053	3664
TOV33922-2	1931	2162	2317	2606	2801	3091	3572	4287
TOV3394.52-2	1931	2162	2317	2606	2801	3091	3572	4287
TOV33962-2	1931	2162	2317	2606	2801	3091	3572	4287
TOV3396.52-2	1931	2162	2317	2606	2801	3091	3572	4287

TALL

		30" Wide	31.5" Wide	33" Wide
	Opening W x H	Opening Max W x H	Opening Max W x H	Opening Max W x H
TOV_82.52-2	20" x 17"	26 7/8" x 26 7/8"	28 3/8" x 26 7/8"	29 7/8" x 26 7/8"
TOV_842-2	20" x 17"	26 7/8" x 28 3/8"	28 3/8" x 28 3/8"	29 7/8" x 28 3/8"
TOV_862-2	20" x 17"	26 7/8" x 30 3/8"	28 3/8" x 30 3/8"	29 7/8" x 30 3/8"
TOV_902-2	20" x 17"	26 7/8" x 28 3/8"	28 3/8" x 28 3/8"	29 7/8" x 28 3/8"
TOV_922-2	20" x 17"	26 7/8" x 30 3/8"	28 3/8" x 30 3/8"	29 7/8" x 30 3/8"
TOV_94.52-2	20" x 17"	26 7/8" x 26 7/8"	28 3/8" x 26 7/8"	29 7/8" x 26 7/8"
TOV_962-2	20" x 17"	26 7/8" x 28 3/8"	28 3/8" x 28 3/8"	29 7/8" x 28 3/8"
TOV_96.52-2	20" x 17"	26 7/8" x 28 3/8"	28 3/8" x 28 3/8"	29 7/8" x 28 3/8"

- The chart above is applicable to wood door styles
- HDF, Melamine, Veneer and Acrylic panels have a maximum cutout size of 3" smaller than sizes listed in above chart

PRODUCT DETAILS

- 2 doors, 2 drawers
- 82 1/2", 84" and 86" units have 1 adjustable shelf
- 90" and 92" units have 2 adjustable shelves
- 94 1/2", 96" and 96 1/2" units have 3 adjustable shelves
- 30" and 31 1/2" widths have no center stile

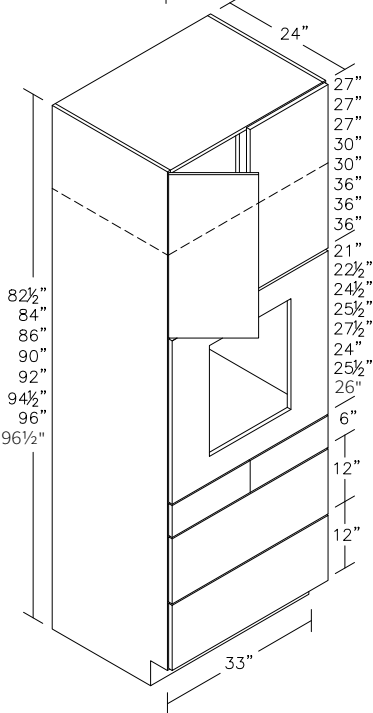
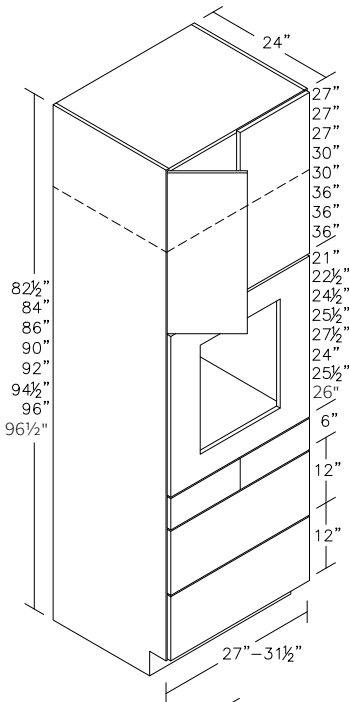
DESIGN CONSIDERATIONS

- All tall units over 84" come with a loose toekick
- Loose toekick will show as separate line item on the Order Confirmation and come unfinished
- Width of filler overlay panel opening can be enlarged to 4" less than the cabinet width; panel mounting brackets will interfere with wider widths

tall

Tall Microwave

1 2 3 4 5 6 7 8



TM2782.52-4	1523	1706	1828	2056	2209	2437	2817	3381
TM27842-4	1523	1706	1828	2056	2209	2437	2817	3381
TM27862-4	1783	1997	2139	2407	2585	2852	3298	3957
TM27902-4	1783	1997	2139	2407	2585	2852	3298	3957
TM27922-4	2085	2336	2503	2815	3025	3336	3858	4630
TM2794.52-4	2085	2336	2503	2815	3025	3336	3858	4630
TM27962-4	2085	2336	2503	2815	3025	3336	3858	4630
TM2796.52-4	2085	2336	2503	2815	3025	3336	3858	4630
TM3082.52-4	1598	1790	1919	2158	2318	2558	2957	3548
TM30842-4	1598	1790	1919	2158	2318	2558	2957	3548
TM30862-4	1873	2099	2247	2529	2715	2997	3465	4159
TM30902-4	1873	2099	2247	2529	2715	2997	3465	4159
TM30922-4	2191	2455	2629	2959	3177	3507	4054	4866
TM3094.52-4	2191	2455	2629	2959	3177	3507	4054	4866
TM30962-4	2191	2455	2629	2959	3177	3507	4054	4866
TM3096.52-4	2191	2455	2629	2959	3177	3507	4054	4866
TM31.582.52-4	1638	1830	1959	2198	2358	2598	2997	3588
TM31.5842-4	1638	1830	1959	2198	2358	2598	2997	3588
TM31.5862-4	1913	2139	2287	2569	2755	3037	3505	4199
TM31.5902-4	1913	2139	2287	2569	2755	3037	3505	4199
TM31.5922-4	2231	2495	2669	2999	3217	3547	4094	4906
TM31.594.52-4	2231	2495	2669	2999	3217	3547	4094	4906
TM31.5962-4	2231	2495	2669	2999	3217	3547	4094	4906
TM31.596.52-4	2231	2495	2669	2999	3217	3547	4094	4906
TM3382.52-4	1713	1905	2034	2273	2433	2673	3072	3663
TM33842-4	1713	1905	2034	2273	2433	2673	3072	3663
TM33862-4	1988	2214	2362	2644	2830	3112	3580	4274
TM33902-4	1988	2214	2362	2644	2830	3112	3580	4274
TM33922-4	2306	2570	2744	3074	3292	3622	4169	4981
TM3394.52-4	2306	2570	2744	3074	3292	3622	4169	4981
TM33962-4	2306	2570	2744	3074	3292	3622	4169	4981
TM3396.52-4	2306	2570	2744	3074	3292	3622	4169	4981

		27" Wide	30" & 31" Wide	33" Wide
	Opening W x H	Opening Max W x H	Opening Max W x H	Opening Max W x H
TM_82.52-4	17" x 9 1/4"	23 7/8" x 17 7/8"	26 7/8" x 17 7/8"	29 7/8" x 17 7/8"
TM_842-4	17" x 9 1/4"	23 7/8" x 19 3/8"	26 7/8" x 19 3/8"	29 7/8" x 19 3/8"
TM_862-4	17" x 9 1/4"	23 7/8" x 21 3/8"	26 7/8" x 21 3/8"	29 7/8" x 21 3/8"
TM_902-4	17" x 9 1/4"	23 7/8" x 22 3/8"	26 7/8" x 22 3/8"	29 7/8" x 22 3/8"
TM_922-4	17" x 9 1/4"	23 7/8" x 24 3/8"	26 7/8" x 24 3/8"	29 7/8" x 24 3/8"
TM_94.52-4	17" x 9 1/4"	23 7/8" x 20 7/8"	26 7/8" x 20 7/8"	29 7/8" x 20 7/8"
TM_962-4	17" x 9 1/4"	23 7/8" x 21 3/8"	26 7/8" x 21 3/8"	29 7/8" x 21 3/8"
TM_96.52-4	17" x 9 1/4"	23 7/8" x 22 3/8"	26 7/8" x 22 3/8"	29 7/8" x 22 3/8"

PRODUCT DETAILS

- 2 doors, 2 small split drawers on top, 2 large full width drawers below
- 82 1/2", 84" and 86" units have 1 adjustable shelf
- 90" and 92" units have 2 adjustable shelves
- 94 1/2", 96" and 96 1/2" units have 3 adjustable shelves
- 33" width comes with a center stile

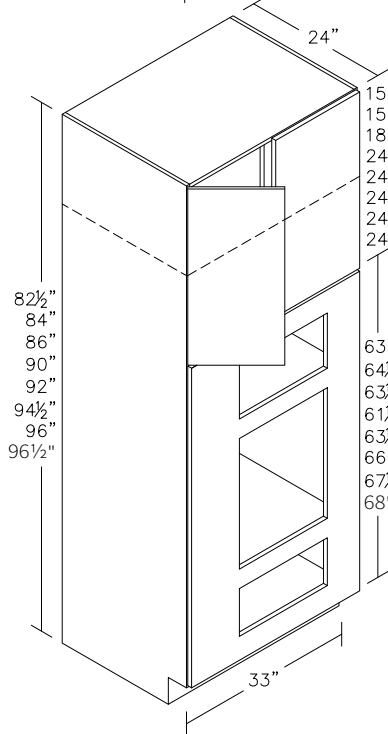
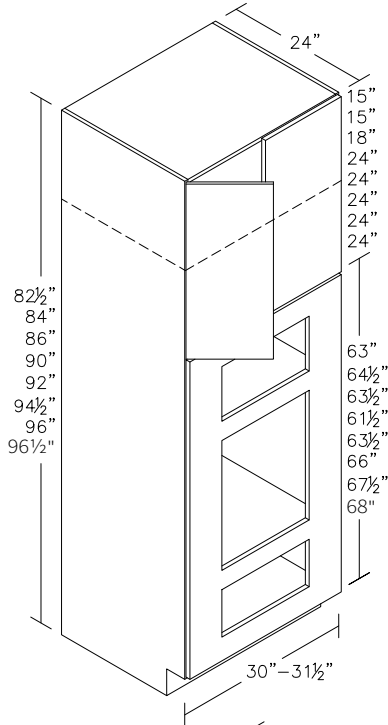
DESIGN CONSIDERATIONS

- All tall units over 84" come with a loose toekick
- Loose toekick will show as separate line item on the Order Confirmation and come unfinished
- Width of filler overlay panel opening can be enlarged to 4" less than the cabinet width; panel mounting brackets will interfere with wider widths

- The chart above is applicable to wood door styles
- HDF, Melamine, Veneer and Acrylic panels have a maximum cutout size of 3" smaller than sizes listed in above chart

tall

Tall Microwave Oven with Warming Drawer



- The chart to the right is applicable to wood door styles
- HDF, Melamine, Veneer and Acrylic panels have a maximum cutout size of 3" smaller than sizes listed in above chart

	1	2	3	4	5	6	7	8
--	---	---	---	---	---	---	---	---

TMOW3082.5-0	1050	1181	1268	1432	1541	1705	1978	2381
TMOW3084-0	1050	1181	1268	1432	1541	1705	1978	2381
TMOW3086-0	1269	1426	1531	1728	1859	2057	2383	2868
TMOW3090-0	1269	1426	1531	1728	1859	2057	2383	2868
TMOW3092-0	1492	1676	1799	2029	2181	2413	2795	3362
TMOW3094.5-0	1492	1676	1799	2029	2181	2413	2795	3362
TMOW3096-0	1492	1676	1799	2029	2181	2413	2795	3362
TMOW3096.5-0	1492	1676	1799	2029	2181	2413	2795	3362
TMOW31.582.5-0	1070	1201	1288	1452	1561	1725	1998	2401
TMOW31.584-0	1070	1201	1288	1452	1561	1725	1998	2401
TMOW31.586-0	1289	1446	1551	1748	1879	2077	2403	2888
TMOW31.590-0	1289	1446	1551	1748	1879	2077	2403	2888
TMOW31.592-0	1512	1696	1819	2049	2201	2433	2815	3382
TMOW31.594.5-0	1512	1696	1819	2049	2201	2433	2815	3382
TMOW31.596-0	1512	1696	1819	2049	2201	2433	2815	3382
TMOW31.596.5-0	1512	1696	1819	2049	2201	2433	2815	3382
TMOW3382.5-0	1090	1221	1308	1472	1581	1745	2018	2421
TMOW3384-0	1090	1221	1308	1472	1581	1745	2018	2421
TMOW3386-0	1309	1466	1571	1768	1899	2097	2423	2908
TMOW3390-0	1309	1466	1571	1768	1899	2097	2423	2908
TMOW3392-0	1532	1716	1839	2069	2221	2453	2835	3402
TMOW3394.5-0	1532	1716	1839	2069	2221	2453	2835	3402
TMOW3396-0	1532	1716	1839	2069	2221	2453	2835	3402
TMOW3396.5-0	1532	1716	1839	2069	2221	2453	2835	3402

TALL

	Top Opening W x H	Middle Opening W x H	Bottom Opening W x H	Top Opening Max W x H	Middle Opening Max W x H	Bottom Opening Max W x H
TMOW3082.5-0	17" x 9 1/4"	17" x 21 1/8"	17" x 8"	26 7/8" x 19 1/8"	26 7/8" x 28 3/4"	26 7/8" x 9"
TMOW3084-0	17" x 9 1/4"	17" x 21 1/8"	17" x 8"	26 7/8" x 19 1/8"	26 7/8" x 29 1/2"	26 7/8" x 9"
TMOW3086-0	17" x 9 1/4"	17" x 21 1/8"	17" x 8"	26 7/8" x 19 1/8"	26 7/8" x 29 1/4"	26 7/8" x 9"
TMOW3090-0	17" x 9 1/4"	17" x 21 1/8"	17" x 8"	26 7/8" x 18 3/8"	26 7/8" x 28 1/4"	26 7/8" x 9"
TMOW3092-0	17" x 9 1/4"	17" x 21 1/8"	17" x 8"	26 7/8" x 19 1/8"	26 7/8" x 29 1/4"	26 7/8" x 9"
TMOW3094.5-0	17" x 9 1/4"	17" x 21 1/8"	17" x 8"	26 7/8" x 20 3/8"	26 7/8" x 30 1/2"	26 7/8" x 9"
TMOW3096-0	17" x 9 1/4"	17" x 21 1/8"	17" x 8"	26 7/8" x 21 3/8"	26 7/8" x 31 1/4"	26 7/8" x 9"
TMOW3096.5-0	17" x 9 1/4"	17" x 21 1/8"	17" x 8"	26 7/8" x 21 3/8"	26 7/8" x 31 1/2"	26 7/8" x 9"
TMOW31.582.5-0	17" x 9 1/4"	17" x 21 1/8"	17" x 8"	28 3/8" x 19 1/8"	28 3/8" x 28 3/4"	28 3/8" x 9"
TMOW31.584-0	17" x 9 1/4"	17" x 21 1/8"	17" x 8"	28 3/8" x 19 1/8"	28 3/8" x 29 1/2"	28 3/8" x 9"
TMOW31.586-0	17" x 9 1/4"	17" x 21 1/8"	17" x 8"	28 3/8" x 19 1/8"	28 3/8" x 29 1/4"	28 3/8" x 9"
TMOW31.590-0	17" x 9 1/4"	17" x 21 1/8"	17" x 8"	28 3/8" x 18 3/8"	28 3/8" x 28 1/4"	28 3/8" x 9"
TMOW31.592-0	17" x 9 1/4"	17" x 21 1/8"	17" x 8"	28 3/8" x 19 1/8"	28 3/8" x 29 1/4"	28 3/8" x 9"
TMOW31.594.5-0	17" x 9 1/4"	17" x 21 1/8"	17" x 8"	28 3/8" x 20 3/8"	28 3/8" x 30 1/2"	28 3/8" x 9"
TMOW31.596-0	17" x 9 1/4"	17" x 21 1/8"	17" x 8"	28 3/8" x 21 3/8"	28 3/8" x 31 1/4"	28 3/8" x 9"
TMOW31.596.5-0	17" x 9 1/4"	17" x 21 1/8"	17" x 8"	28 3/8" x 21 3/8"	28 3/8" x 31 1/2"	28 3/8" x 9"
TMOW3382.5-0	17" x 9 1/4"	17" x 21 1/8"	17" x 8"	29 7/8" x 19 1/8"	29 7/8" x 28 3/4"	29 7/8" x 9"
TMOW3384-0	17" x 9 1/4"	17" x 21 1/8"	17" x 8"	29 7/8" x 19 1/8"	29 7/8" x 29 1/2"	29 7/8" x 9"
TMOW3386-0	17" x 9 1/4"	17" x 21 1/8"	17" x 8"	29 7/8" x 19 1/8"	29 7/8" x 29 1/4"	29 7/8" x 9"
TMOW3390-0	17" x 9 1/4"	17" x 21 1/8"	17" x 8"	29 7/8" x 18 3/8"	29 7/8" x 28 1/4"	29 7/8" x 9"
TMOW3392-0	17" x 9 1/4"	17" x 21 1/8"	17" x 8"	29 7/8" x 19 1/8"	29 7/8" x 29 1/4"	29 7/8" x 9"
TMOW3394.5-0	17" x 9 1/4"	17" x 21 1/8"	17" x 8"	29 7/8" x 20 3/8"	29 7/8" x 30 1/2"	29 7/8" x 9"
TMOW3396-0	17" x 9 1/4"	17" x 21 1/8"	17" x 8"	29 7/8" x 21 3/8"	29 7/8" x 31 1/4"	29 7/8" x 9"
TMOW3396.5-0	17" x 9 1/4"	17" x 21 1/8"	17" x 8"	29 7/8" x 21 3/8"	29 7/8" x 31 1/2"	29 7/8" x 9"

PRODUCT DETAILS

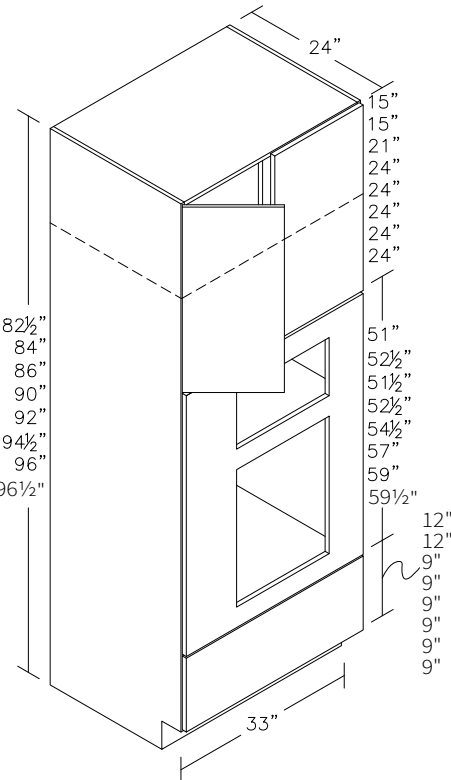
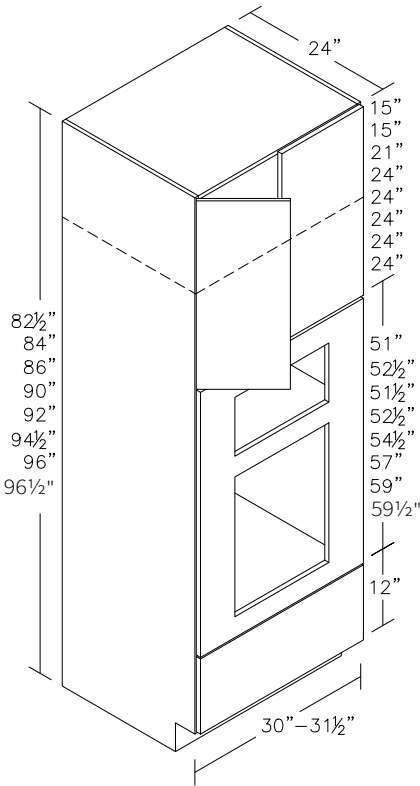
- 2 doors, no drawer
- 90", 92", 94 1/2", 96" and 96 1/2" units have 1 adjustable shelf
- 30" and 31 1/2" widths have no center stile
- Shelf for top cutout is adjustable

DESIGN CONSIDERATIONS

- All tall units over 84" come with a loose toekick
- Loose toekick will show as separate line item on the Order Confirmation and come unfinished
- Width of filler overlay panel opening can be enlarged to 4" less than the cabinet width; panel mounting brackets will interfere with wider widths

tall

Tall Microwave Oven



- The chart to the right is applicable to wood door styles
- HDF, Melamine, Veneer and Acrylic panels have a maximum cutout size of 3" smaller than sizes listed in above chart

	1	2	3	4	5	6	7	8
TMOV3082.52-1	1156	1295	1387	1561	1676	1849	2139	2568
TMOV30842-1	1156	1295	1387	1561	1676	1849	2139	2568
TMOV30862-1	1436	1608	1724	1940	2083	2298	2657	3189
TMOV30902-1	1436	1608	1724	1940	2083	2298	2657	3189
TMOV30922-1	1681	1881	2018	2269	2438	2689	3109	3730
TMOV3094.52-1	1681	1881	2018	2269	2438	2689	3109	3730
TMOV30962-1	1681	1881	2018	2269	2438	2689	3109	3730
TMOV3096.52-1	1681	1881	2018	2269	2438	2689	3109	3730
TMOV31.582.52-1	1176	1315	1407	1581	1696	1869	2159	2588
TMOV31.5842-1	1176	1315	1407	1581	1696	1869	2159	2588
TMOV31.5862-1	1456	1628	1744	1960	2103	2318	2677	3209
TMOV31.5902-1	1456	1628	1744	1960	2103	2318	2677	3209
TMOV31.5922-1	1701	1901	2038	2289	2458	2709	3129	3750
TMOV31.594.52-1	1701	1901	2038	2289	2458	2709	3129	3750
TMOV31.5962-1	1701	1901	2038	2289	2458	2709	3129	3750
TMOV31.596.52-1	1701	1901	2038	2289	2458	2709	3129	3750
TMOV3382.52-1	1186	1328	1423	1601	1719	1897	2193	2632
TMOV33842-1	1186	1328	1423	1601	1719	1897	2193	2632
TMOV33862-1	1468	1645	1763	1982	2130	2350	2716	3260
TMOV33902-1	1468	1645	1763	1982	2130	2350	2716	3260
TMOV33922-1	1718	1925	2062	2319	2492	2750	3178	3815
TMOV3394.52-1	1718	1925	2062	2319	2492	2750	3178	3815
TMOV33962-1	1718	1925	2062	2319	2492	2750	3178	3815
TMOV3396.52-1	1718	1925	2062	2319	2492	2750	3178	3815

	Top Opening W x H	Bottom Opening W x H	Top Opening Max W x H	Bottom Opening Max W x H
TMOV3082.52-1	17" x 9 1/4"	17" x 21 7/8"	26 3/8" x 15 7/8"	26 7/8" x 30 1/2"
TMOV30842-1	17" x 9 1/4"	17" x 21 7/8"	26 7/8" x 16 3/8"	26 7/8" x 31 1/4"
TMOV30862-1	17" x 9 1/4"	17" x 21 7/8"	26 7/8" x 16 1/8"	26 7/8" x 30 3/4"
TMOV30902-1	17" x 9 1/4"	17" x 21 7/8"	26 7/8" x 16 5/8"	26 7/8" x 31 1/4"
TMOV30922-1	17" x 9 1/4"	17" x 21 7/8"	26 7/8" x 17 5/8"	26 7/8" x 32 1/4"
TMOV3094.52-1	17" x 9 1/4"	17" x 21 7/8"	26 7/8" x 19 1/8"	26 7/8" x 33 1/2"
TMOV30962-1	17" x 9 1/4"	17" x 21 7/8"	26 7/8" x 20 7/8"	26 7/8" x 34 1/2"
TMOV3096.52-1	17" x 9 1/4"	17" x 21 7/8"	26 7/8" x 21 1/8"	26 7/8" x 34 3/4"
TMOV31.582.52-1	17" x 9 1/4"	17" x 21 7/8"	28 3/8" x 15 7/8"	26 7/8" x 30 1/2"
TMOV31.5842-1	17" x 9 1/4"	17" x 21 7/8"	28 3/8" x 16 3/8"	28 3/8" x 31 1/4"
TMOV31.5862-1	17" x 9 1/4"	17" x 21 7/8"	28 3/8" x 16 1/8"	28 3/8" x 30 3/4"
TMOV31.5902-1	17" x 9 1/4"	17" x 21 7/8"	28 3/8" x 16 5/8"	28 3/8" x 31 1/4"
TMOV31.5922-1	17" x 9 1/4"	17" x 21 7/8"	28 3/8" x 17 5/8"	28 3/8" x 32 1/4"
TMOV31.594.52-1	17" x 9 1/4"	17" x 21 7/8"	28 3/8" x 19 1/8"	28 3/8" x 33 1/2"
TMOV31.5962-1	17" x 9 1/4"	17" x 21 7/8"	28 3/8" x 20 7/8"	28 3/8" x 34 1/2"
TMOV31.596.52-1	17" x 9 1/4"	17" x 21 7/8"	28 3/8" x 21 1/8"	28 3/8" x 34 3/4"
TMOV3382.52-1	17" x 9 1/4"	17" x 21 7/8"	29 7/8" x 15 7/8"	26 7/8" x 30 1/2"
TMOV33842-1	17" x 9 1/4"	17" x 21 7/8"	29 7/8" x 16 3/8"	29 7/8" x 31 1/4"
TMOV33862-1	17" x 9 1/4"	17" x 21 7/8"	29 7/8" x 16 1/8"	29 7/8" x 30 3/4"
TMOV33902-1	17" x 9 1/4"	17" x 21 7/8"	29 7/8" x 16 5/8"	29 7/8" x 31 1/4"
TMOV33922-1	17" x 9 1/4"	17" x 21 7/8"	29 7/8" x 17 5/8"	29 7/8" x 32 1/4"
TMOV3394.52-1	17" x 9 1/4"	17" x 21 7/8"	29 7/8" x 19 1/8"	29 7/8" x 33 1/2"
TMOV33962-1	17" x 9 1/4"	17" x 21 7/8"	29 7/8" x 20 7/8"	29 7/8" x 34 1/2"
TMOV3396.52-1	17" x 9 1/4"	17" x 21 7/8"	29 7/8" x 21 1/8"	29 7/8" x 34 3/4"

PRODUCT DETAILS

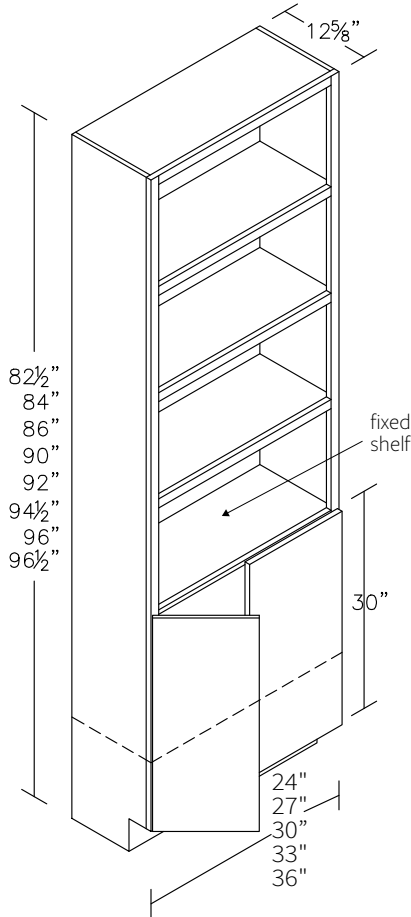
- 2 doors, 1 drawer
- 90", 92", 94 1/2", 96" and 96 1/2" units have 1 adjustable shelf
- 30" and 31 1/2" widths have no center stile

DESIGN CONSIDERATIONS

- All tall units over 84" come with a loose toekick
- Loose toekick will show as separate line item on the Order Confirmation and come unfinished
- Width of filler overlay panel opening can be enlarged to 4" less than the cabinet width; panel mounting brackets will interfere with wider widths

tall

Tall Furniture



PRODUCT DETAILS

- 2 doors
- 1 fixed shelf and 4 adjustable shelves
- Shelves are reinforced with 3/4" traditional wood edge moulding
- 1 1/4" x 3/4" wood frame
- 33" and 36" widths come with a bottom centre stile between doors
- Wood styles come with matching interior/ exterior
- Not available in Thermofoil, Acrylic, Melamine, PureStyle™, and Echo Wood door styles

DESIGN CONSIDERATIONS

- All tall units over 84" come with a loose toekick
- Loose toekick will show as separate line item on the Order Confirmation and come unfinished
- If an adjacent unit's side protrudes past the frame, a minimum 1/4" filler must be used between units to allow for hinges to function properly

	1	2	3	4	5	6	7	8
TF2482.5-2	2099	2350	2518	2833	3043	3357	3882	4658
TF2484-2	2099	2350	2518	2833	3043	3357	3882	4658
TF2486-2	2410	2699	2892	3253	3494	3856	4458	5350
TF2490-2	2410	2699	2892	3253	3494	3856	4458	5350
TF2492-2	2819	3157	3384	3806	4088	4512	5217	6259
TF2494.5-2	2819	3157	3384	3806	4088	4512	5217	6259
TF2496-2	2819	3157	3384	3806	4088	4512	5217	6259
TF2496.5-2	2819	3157	3384	3806	4088	4512	5217	6259
TF2782.5	2238	2506	2685	3021	3245	3580	4140	4968
TF2784	2238	2506	2685	3021	3245	3580	4140	4968
TF2786	2571	2879	3085	3470	3728	4113	4756	5706
TF2790	2571	2879	3085	3470	3728	4113	4756	5706
TF2792	3008	3369	3609	4060	4362	4812	5564	6677
TF2794.5	3008	3369	3609	4060	4362	4812	5564	6677
TF2796	3008	3369	3609	4060	4362	4812	5564	6677
TF2796.5	3008	3369	3609	4060	4362	4812	5564	6677
TF3082.5	2377	2662	2854	3209	3447	3804	4398	5277
TF3084	2377	2662	2854	3209	3447	3804	4398	5277
TF3086	2732	3060	3278	3688	3962	4372	5054	6065
TF3090	2732	3060	3278	3688	3962	4372	5054	6065
TF3092	3197	3580	3836	4315	4636	5116	5913	7096
TF3094.5	3197	3580	3836	4315	4636	5116	5913	7096
TF3096	3197	3580	3836	4315	4636	5116	5913	7096
TF3096.5	3197	3580	3836	4315	4636	5116	5913	7096
TF3382.5	2478	2776	2973	3346	3593	3966	4584	5501
TF3384	2478	2776	2973	3346	3593	3966	4584	5501
TF3386	2849	3191	3418	3846	4131	4558	5271	6325
TF3390	2849	3191	3418	3846	4131	4558	5271	6325
TF3392	3333	3734	4000	4500	4833	5333	6167	7401
TF3394.5	3333	3734	4000	4500	4833	5333	6167	7401
TF3396	3333	3734	4000	4500	4833	5333	6167	7401
TF3396.5	3333	3734	4000	4500	4833	5333	6167	7401
TF3682.5	2578	2888	3094	3481	3739	4126	4769	5724
TF3684	2578	2888	3094	3481	3739	4126	4769	5724
TF3686	2967	3323	3561	4005	4301	4748	5489	6587
TF3690	2967	3323	3561	4005	4301	4748	5489	6587
TF3692	3472	3888	4166	4686	5033	5555	6422	7707
TF3694.5	3472	3888	4166	4686	5033	5555	6422	7707
TF3696	3472	3888	4166	4686	5033	5555	6422	7707
TF3696.5	3472	3888	4166	4686	5033	5555	6422	7707

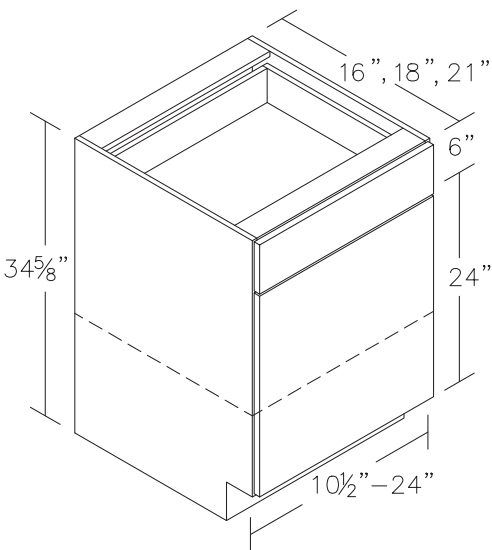
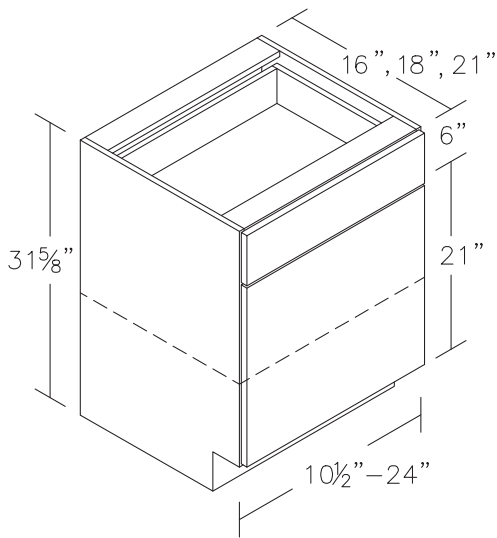
TALL

Vanity

Refer to pages D.10-D.39 for specific door style information.

Vanity - 1 Door.....	V.2	Hanging Vanity - Drawer Bank, 3 Vertical	V.27
Vanity - 2 Doors	V.3	Hanging Vanity - Drawer Bank, 3 Vertical with FF	V.27
Vanity - Full Height Door, 1 Door	V.4	Hanging Vanity - Drawers, Full Height Door.....	O.1
Vanity - Full Height Door, 2 Doors.....	V.5	Desk Cabinet - 1 Door	O.1
Vanity - Full Height Door, 3 Doors.....	V.6	Desk Cabinet - 2 Doors.....	O.2
Sink Vanity - 1 Door	V.6	Desk Cabinet - Full Height Door, 1 Door	O.3
Sink Vanity - 2 Doors.....	V.7	Desk Cabinet - Full Height Door, 2 Doors.....	O.3
Sink Vanity - Inverted	V.8	Desk Drawer - 2 Vertical	O.4
Sink Vanity - 3 Doors.....	V.9	Desk Drawer - 2 Vertical, File Suspension.....	O.4
Vanity Drawer - 2 Vertical	V.9	Desk Drawer - 3 Vertical	O.5
Vanity Drawer - 3 Vertical	V.10	Desk Drawer - 3 Vertical, File Suspension.....	O.5
Vanity Drawer - 4 Vertical	V.11	Curved Desk Panel Veneer & Melamine	O.5
Sink Vanity - Drawers, 2 Doors.....	V.11	Desk Front - 1 Drawer	O.6
Sink Vanity - Drawers, 3 Doors.....	V.12	Desk Front - 2 Drawers.....	O.6
Sink Vanity - Drawer Bank, False Front.....	V.12		
Sink Vanity - Drawers	V.13		
Sink Vanity - Drawers, Full Height Door.....	V.14		
Sink Vanity - Drawer Bank, False Front.....	V.15		
Sink Vanity - Drawer Banks	V.16		
Sink Vanity - Centre Drawer Bank.....	V.16		
Vanity End	V.17		
Sink Vanity Angle	V.18		
Vanity Wall Frame	V.18		
Vanity - Walette.....	V.19		
Vanity - John Wall Medicine.....	V.19		
Vanity Tall - 3 Doors	V.20		
Hanging Vanity - 1 Door	V.20		
Hanging Vanity - 2 Doors	V.21		
Hanging Vanity - Full Height Door, 1 Door	V.21		
Hanging Vanity - Full Height Door, 2 Doors.....	V.22		
Hanging Sink Vanity - 1 Door	V.22		
Hanging Sink Vanity - 2 Doors.....	V.23		
Hanging Sink Vanity - Full Height Door, 1 Door	V.23		
Tilt-Out Tray Option.....	V.24		
Slide-Out Tray Option - Unit with Drawers.....	V.24		
Slide-Out Tray Option - Full Height Drawers	V.24		
Hanging Sink Vanity - Full Height Door, 2 Doors.....	V.25		
Hanging Vanity - Drawer Bank, 2 Vertical	V.25-V.26		

Vanity - 1 Door



	1	2	3	4	5	6	7	8
V10.5(L/R)	353	395	423	476	512	565	652	783
V12(L/R)	353	395	423	476	512	565	652	783
V13.5(L/R)	390	437	468	526	566	625	723	867
V15(L/R)	390	437	468	526	566	625	723	867
V16.5(L/R)	420	470	504	567	609	672	777	932
V18(L/R)	420	470	504	567	609	672	777	932
V19.5(L/R)	456	511	546	615	659	729	842	1011
V21(L/R)	456	511	546	615	659	729	842	1011
V24(L/R)	547	614	656	738	794	876	1012	1215
V10.535(L/R)	388	435	465	524	563	622	717	861
V1235(L/R)	388	435	465	524	563	622	717	861
V13.535(L/R)	429	481	515	579	623	688	795	954
V1535(L/R)	429	481	515	579	623	688	795	954
V16.535(L/R)	462	517	554	624	670	739	855	1025
V1835(L/R)	462	517	554	624	670	739	855	1025
V19.535(L/R)	502	562	601	677	725	802	926	1112
V2135(L/R)	502	562	601	677	725	802	926	1112
V2435(L/R)	602	675	722	812	873	964	1113	1337

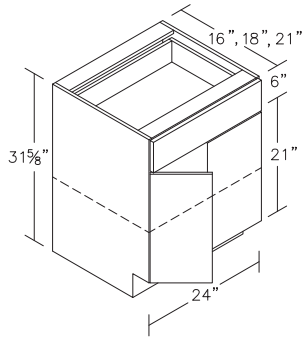
PRODUCT DETAILS

- 1 door, 1 drawer
- 1 adjustable shelf
- All vanity cabinets are available at a height of 31 5/8" and at a standard base cabinet height of 34 5/8". Vanities that are 34 5/8" high are represented as 35 in the product code and are 10% higher in price as reflected in the above pricing chart.
- 16" and 18" depths are available at the same prices listed above.

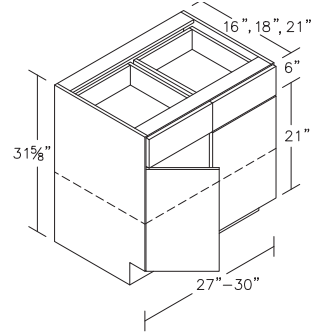
To order, add 16 or 18 at the end of the product code.
i.e. V243516L

(L/R) specify L (hinge left) or R (hinge right) to cabinet code

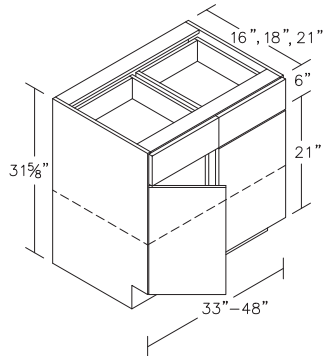
Vanity - 2 Doors



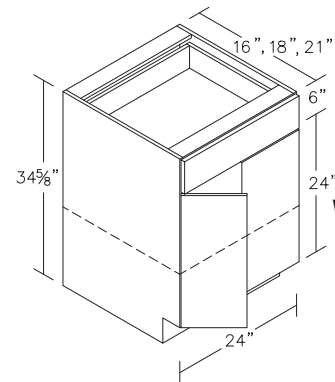
Without center stile



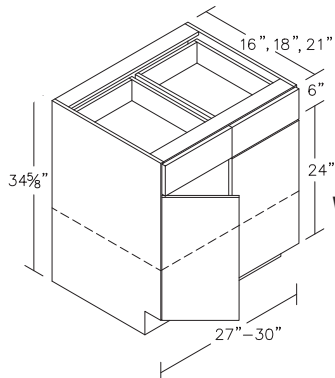
Without center stile



With center stile



Without center stile



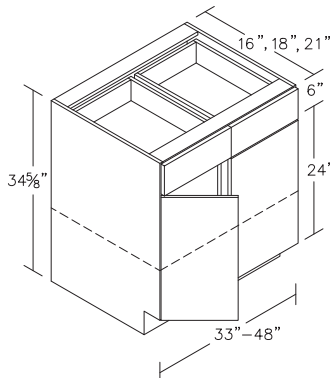
Without center stile

V24-2	596	668	714	805	864	954	1102	1323
V27	657	736	789	888	954	1052	1217	1460
V30	677	758	812	914	982	1084	1252	1503
V33	688	772	827	930	999	1102	1274	1529
V36	707	791	849	955	1025	1132	1308	1570
V39	732	820	878	989	1062	1171	1354	1624
V42	759	850	911	1025	1101	1215	1405	1686
V45-2	791	887	951	1069	1148	1267	1464	1758
V48-2	824	919	983	1101	1180	1299	1498	1796
V24-235	656	735	785	886	950	1049	1212	1455
V2735	723	810	868	977	1049	1157	1339	1606
V3035	745	834	893	1005	1080	1192	1377	1653
V3335	757	849	910	1023	1099	1212	1401	1682
V3635	778	870	934	1051	1128	1245	1439	1727
V3935	805	902	966	1088	1168	1288	1489	1786
V4235	835	935	1002	1128	1211	1337	1546	1855
V4535-2	870	976	1046	1176	1263	1394	1610	1934
V4835-2	906	1011	1081	1211	1298	1429	1648	1976

PRODUCT DETAILS

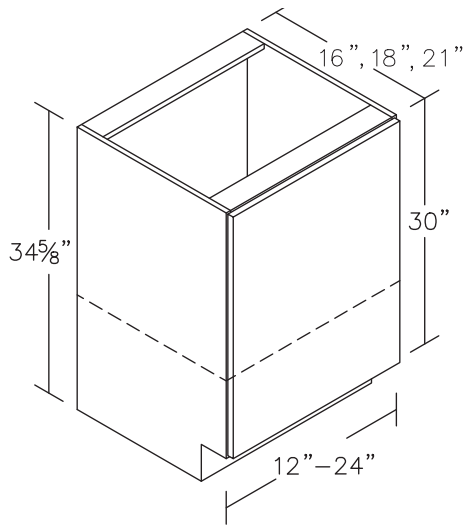
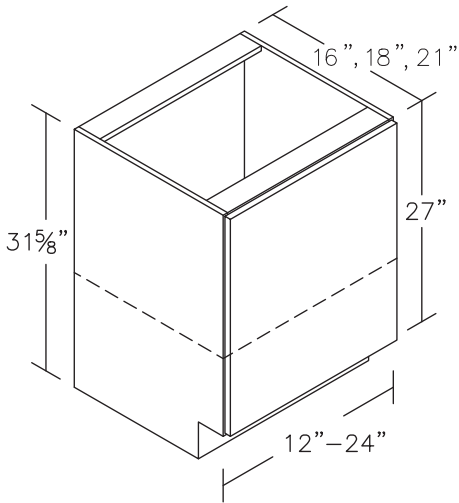
- 2 doors, 2 drawers
- 1 adjustable shelf
- 24", 27" and 30" wide units have no center stile
- V24-2 has 2 doors and 1 full width drawer
- All vanity cabinets are available at a height of 31 5/8" and at a standard base cabinet height of 34 5/8". Vanities that are 34 5/8" high are represented as 35 in the product code and are 10% higher in price as reflected in the above pricing chart.
- 16" and 18" depths are available at the same prices listed above.

To order, add 16 or 18 at the end of the product code.
i.e. V453516-2FH



With center stile

Vanity - Full Height Door, 1 Door



	1	2	3	4	5	6	7	8
V12FH(L/R)	348	390	417	470	505	557	645	774
V15FH(L/R)	370	414	443	499	537	592	684	822
V18FH(L/R)	394	441	472	531	571	629	728	874
V21FH(L/R)	421	471	505	568	610	673	779	935
V24FH(L/R)	447	501	537	603	648	714	827	991
V1235FH(L/R)	383	429	459	517	556	613	710	851
V1535FH(L/R)	407	455	487	549	591	651	752	904
V1835FH(L/R)	433	485	519	584	628	692	801	961
V2135FH(L/R)	463	518	556	625	671	740	857	1029
V2435FH(L/R)	492	551	591	663	713	785	910	1090

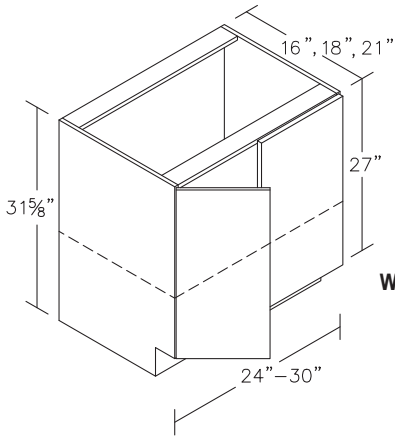
PRODUCT DETAILS

- 1 door
- 1 adjustable shelf
- All vanity cabinets are available at a height of 31⁵/₈" and at a standard base cabinet height of 34⁵/₈". Vanities that are 34⁵/₈" high are represented as 35 in the product code and are 10% higher in price as reflected in the above pricing chart.
- 16" and 18" depths are available at the same prices listed above.

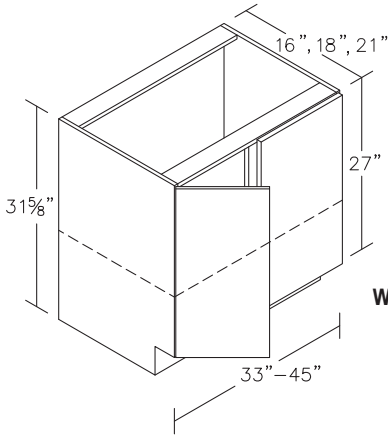
To order, add 16 or 18 at the end of the product code.
i.e. V243516FHL

(L/R) specify L (hinge left) or R (hinge right) to cabinet code

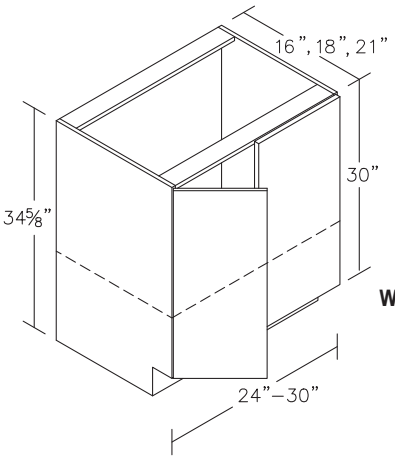
Vanity - Full Height Door, 2 Doors



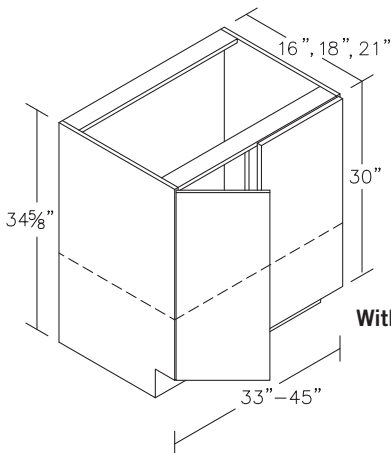
Without center stile



With center stile



Without center stile



With center stile

V24-2FH	466	522	560	629	676	747	862	1035
V27FH	471	528	566	638	683	755	873	1047
V30FH	487	545	584	657	706	779	901	1082
V33FH	502	563	602	677	728	803	928	1114
V36FH	517	578	621	698	750	828	956	1147
V39FH	532	596	639	719	772	851	984	1181
V42FH	547	614	656	738	794	876	1012	1215
V45-2FH	651	718	760	842	898	980	1116	1319
V2435-2FH	513	574	616	692	744	822	948	1139
V2735FH	518	581	623	702	751	831	960	1152
V3035FH	536	600	642	723	777	857	991	1190
V3335FH	552	619	662	745	801	883	1021	1225
V3635FH	569	636	683	768	825	911	1052	1262
V3935FH	585	656	703	791	849	936	1082	1299
V4235FH	602	675	722	812	873	964	1113	1337
V4535-2FH	716	790	836	926	978	1078	1228	1451

PRODUCT DETAILS

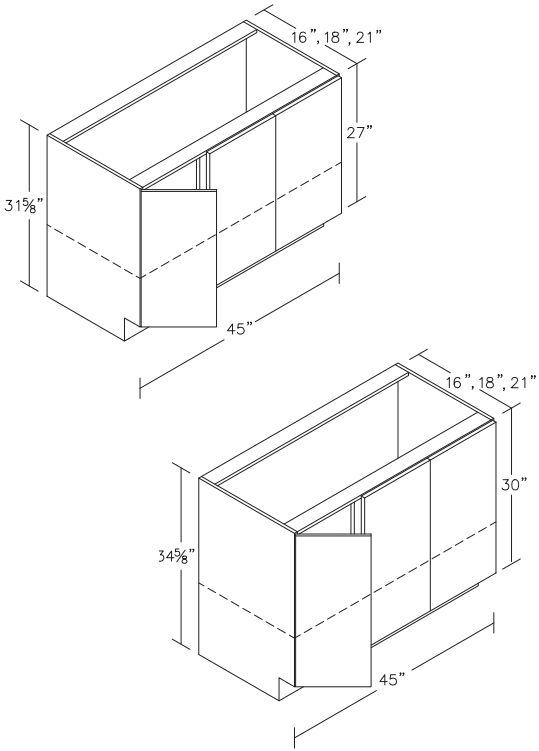
- 2 doors
- 1 adjustable shelf
- 24", 27" and 30" wide units have no center stile
- All vanity cabinets are available at a height of 31 5/8" and at a standard base cabinet height of 34 5/8". Vanities that are 34 5/8" high are represented as 35 in the product code and are 10% higher in price as reflected in the above pricing chart.
- 16" and 18" depths are available at the same prices listed above.

To order, add 16 or 18 at the end of the product code.
i.e. V453516-2FH

	1	2	3	4	5	6	7	8
--	---	---	---	---	---	---	---	---

Vanity - Full Height Door, 3 Doors

V45-3FH(L/R)	649	727	779	876	941	1038	1200	1440
V4535-3FH(L/R)	714	800	857	964	1035	1142	1320	1584



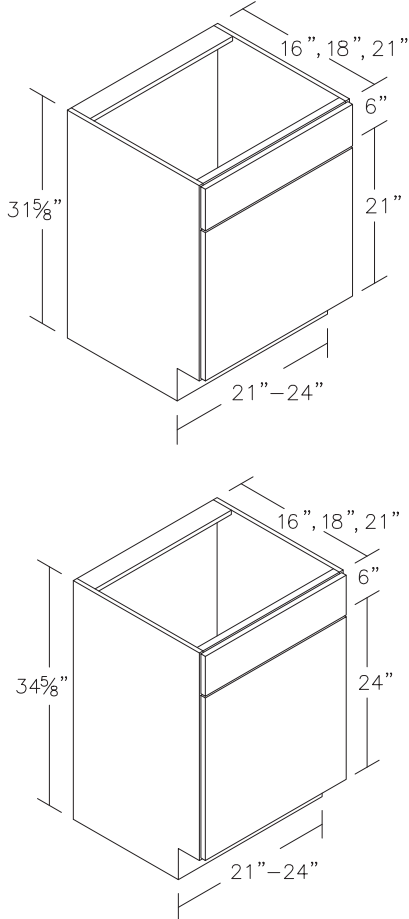
PRODUCT DETAILS

- 3 doors
- 1 adjustable shelf
- Hinge designation is for center door
- All vanity cabinets are available at a height of 31 5/8" and at a standard base cabinet height of 34 5/8". Vanities that are 34 5/8" high are represented as 35 in the product code and are 10% higher in price as reflected in the above pricing chart.
- 16" and 18" depths are available at the same prices listed above.

To order, add 16 or 18 at the end of the product code.
i.e. V453516-3FHL

Sink Vanity - 1 Door

SV21(L/R)	352	394	422	475	510	563	650	780
SV24(L/R)	362	406	435	489	525	579	671	805
SV2135(L/R)	387	433	464	523	561	619	715	858
SV2435(L/R)	398	447	479	538	578	637	738	886



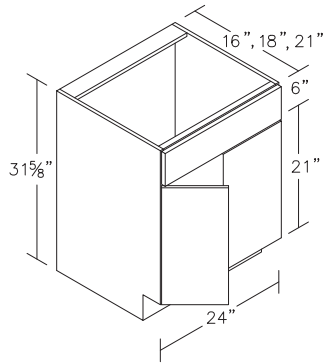
PRODUCT DETAILS

- 1 door, 1 false front
- All vanity cabinets are available at a height of 31 5/8" and at a standard base cabinet height of 34 5/8". Vanities that are 34 5/8" high are represented as 35 in the product code and are 10% higher in price as reflected in the above pricing chart.
- 16" and 18" depths are available at the same prices listed above.

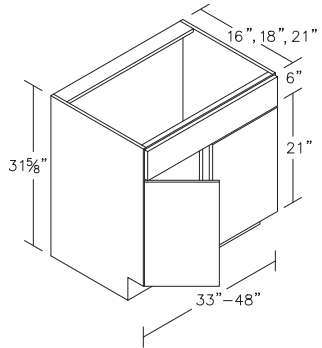
To order, add 16 or 18 at the end of the product code.
i.e. SV243516L

(L/R) specify L (hinge left) or R (hinge right) to cabinet code

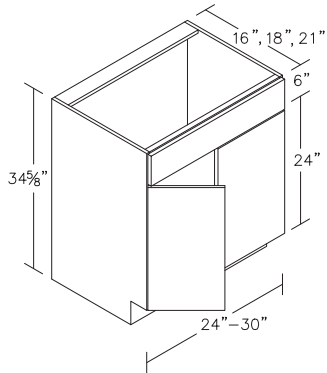
Sink Vanity - 2 Doors



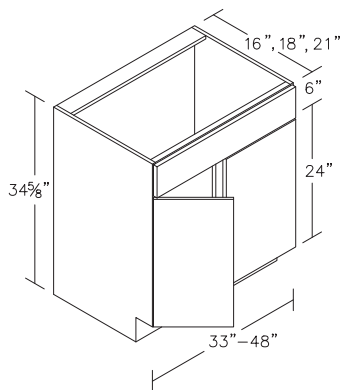
Without center stile



With center stile



Without center stile



With center stile

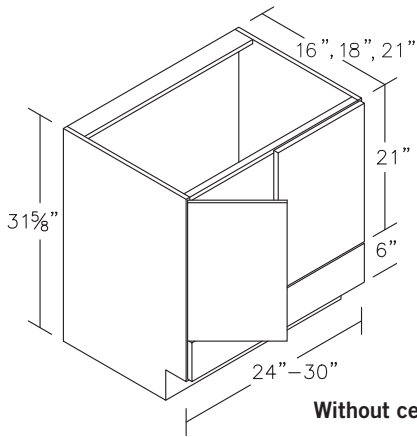
SV24-2	407	456	488	549	590	651	753	904
SV27	474	531	569	640	686	758	876	1051
SV30	494	553	593	668	718	790	914	1097
SV33	511	572	613	688	739	816	944	1134
SV36	531	595	638	718	770	850	982	1178
SV39	550	617	660	743	799	881	1019	1223
SV42	561	627	673	756	812	896	1036	1244
SV45-2	610	683	732	824	885	976	1128	1354
SV48-2	659	738	791	891	957	1056	1221	1465
SV2435-2	448	502	537	604	649	716	828	994
SV2735	521	584	626	704	755	834	964	1156
SV3035	543	608	652	735	790	869	1005	1207
SV3335	562	629	674	757	813	898	1038	1247
SV3635	584	655	702	790	847	935	1080	1296
SV3935	605	679	726	817	879	969	1121	1345
SV4235	617	690	740	832	893	986	1140	1368
SV4535-2	671	751	805	906	974	1074	1241	1489
SV4835-2	725	812	870	980	1053	1162	1343	1612

PRODUCT DETAILS

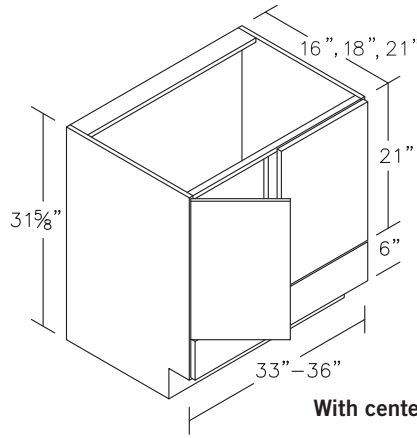
- 2 doors, 1 false front
- 24", 27" and 30" wide units have no center stile
- All vanity cabinets are available at a height of 31 5/8" and at a standard base cabinet height of 34 5/8". Vanities that are 34 5/8" high are represented as 35 in the product code and are 10% higher in price as reflected in the above pricing chart.
- 16" and 18" depths are available at the same prices listed above.

To order, add 16 or 18 at the end of the product code.
i.e. SV483516-2

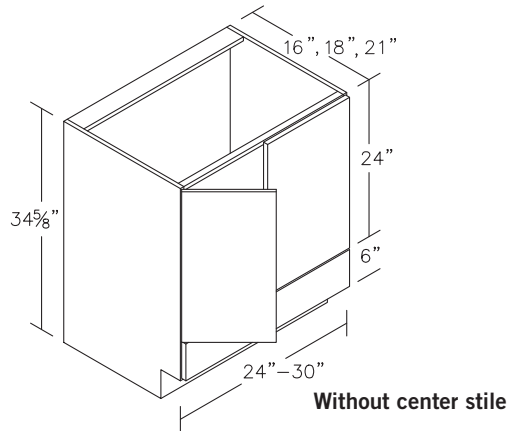
Sink Vanity - Inverted



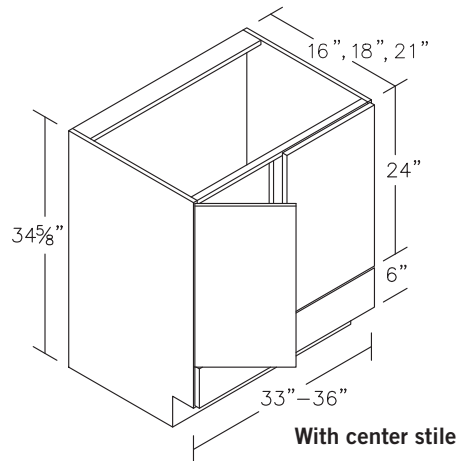
Without center stile



With center stile



Without center stile



With center stile

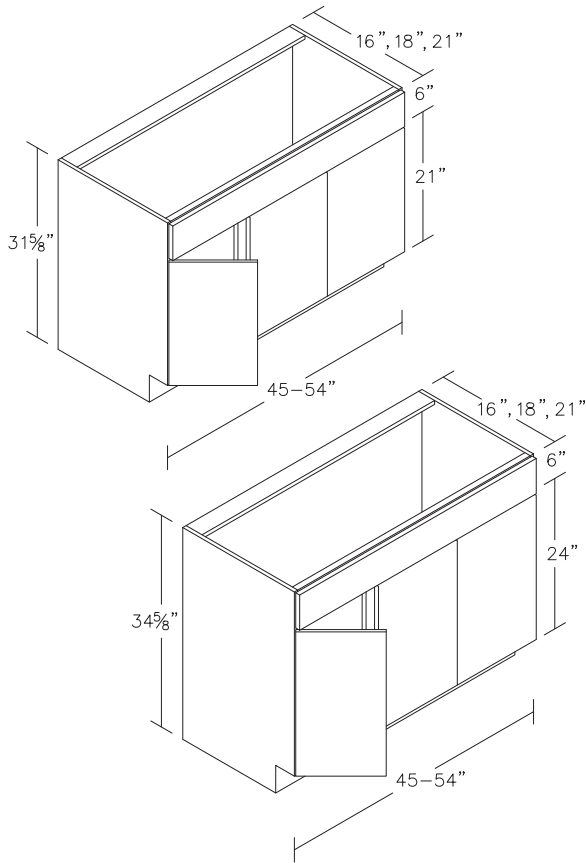
SVN24-2	407	456	488	549	590	651	753	904
SVN30	494	553	593	668	718	790	914	1097
SVN33	511	572	613	688	739	816	944	1134
SVN36	531	595	638	718	770	850	982	1178
SVN2435-2	448	502	537	604	649	716	828	994
SVN3035	543	608	652	735	790	869	1005	1207
SVN3335	562	629	674	757	813	898	1038	1247
SVN3635	584	655	702	790	847	935	1080	1296

PRODUCT DETAILS

- 2 doors, 1 drawer
- No adjustable shelf
- 24" and 30" wide units have no center stile
- All vanity cabinets are available at a height of 31 5/8" and at a standard base cabinet height of 34 5/8". Vanities that are 34 5/8" high are represented as 35 in the product code and are 10% higher in price as reflected in the above pricing chart.
- 16" and 18" depths are available at the same prices listed above.

To order, add 16 or 18 at the end of the product code.
i.e. SVN363516

Sink Vanity - 3 Doors



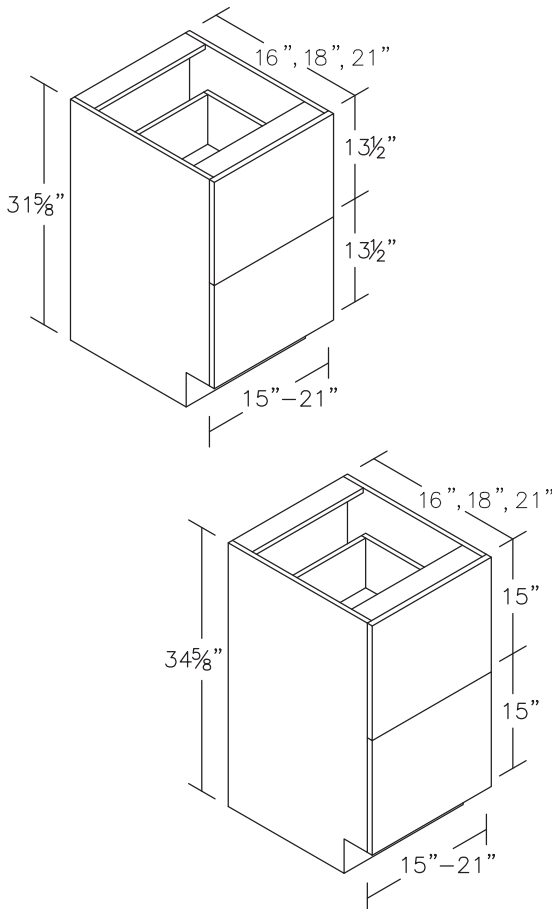
SV45-3(L/R)	728	815	874	983	1056	1165	1347	1616
SV48-3(L/R)	763	856	916	1031	1108	1222	1412	1695
SV51-3(L/R)	782	876	938	1056	1134	1251	1447	1736
SV54-3(L/R)	804	900	965	1085	1165	1286	1487	1785
SV4535-3(L/R)	801	897	961	1081	1162	1282	1482	1778
SV4835-3(L/R)	839	942	1008	1134	1219	1344	1553	1865
SV5135-3(L/R)	860	964	1032	1162	1247	1376	1592	1910
SV5435-3(L/R)	884	990	1062	1194	1282	1415	1636	1964

PRODUCT DETAILS

- 3 doors, 1 false front
- Hinge designation is for the center door
- 54" wide unit will come with 3 false fronts
- All vanity cabinets are available at a height of 31 5/8" and at a standard base cabinet height of 34 5/8". Vanities that are 34 5/8" high are represented as 35 in the product code and are 10% higher in price as reflected in the above pricing chart.
- 16" and 18" depths are available at the same prices listed above.

To order, add 16 or 18 at the end of the product code.
i.e. SV543516-3L

Vanity Drawer - 2 Vertical



VD152V	519	519	519	519	519	519	519	571
VD182V	524	524	524	524	524	524	524	577
VD212V	531	531	531	531	531	531	531	585
VD15352V	571	571	571	571	571	571	571	628
VD18352V	576	576	576	576	576	576	576	635
VD21352V	584	584	584	584	584	584	584	644

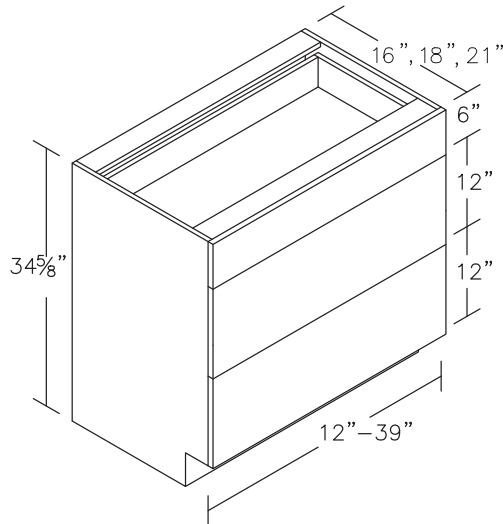
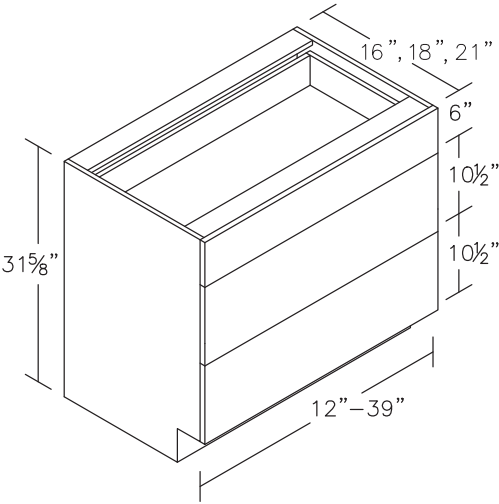
PRODUCT DETAILS

- 2 drawers
- All vanity cabinets are available at a height of 31 5/8" and at a standard base cabinet height of 34 5/8". Vanities that are 34 5/8" high are represented as 35 in the product code and are 10% higher in price as reflected in the above pricing chart.
- 16" and 18" depths are available at the same prices listed above.

To order, add 16 or 18 at the end of the product code.
i.e. VD2135162V

(L/R) specify L (hinge left) or R (hinge right) to cabinet code

Vanity Drawer - 3 Vertical



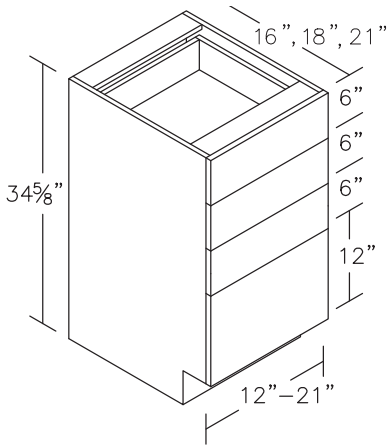
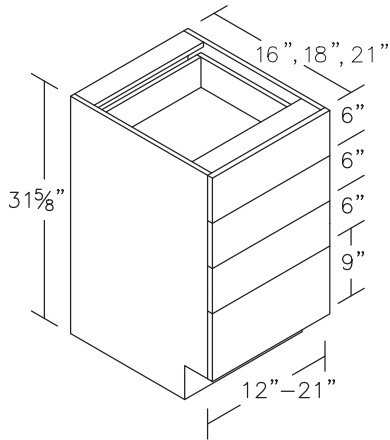
	1	2	3	4	5	6	7	8
VD123V	509	509	509	509	509	509	509	559
VD13.53V	525	525	525	525	525	525	525	578
VD153V	543	543	543	543	543	543	543	597
VD16.53V	558	558	558	558	558	558	558	614
VD183V	572	572	572	572	572	572	572	629
VD19.53V	591	591	591	591	591	591	591	650
VD213V	609	609	609	609	609	609	609	670
VD243V	670	670	670	670	670	670	670	737
VD273V	716	716	716	716	716	716	716	787
VD303V	733	733	733	733	733	733	733	807
VD333V	837	837	837	837	837	837	837	911
VD363V	941	941	941	941	941	941	941	1015
VD393V	986	986	986	986	986	986	986	1064
VD12353V	560	560	560	560	560	560	560	615
VD13.5353V	578	578	578	578	578	578	578	636
VD15353V	597	597	597	597	597	597	597	657
VD16.5353V	614	614	614	614	614	614	614	675
VD18353V	629	629	629	629	629	629	629	692
VD19.5353V	650	650	650	650	650	650	650	715
VD21353V	670	670	670	670	670	670	670	737
VD24353V	737	737	737	737	737	737	737	811
VD27353V	788	788	788	788	788	788	788	866
VD30353V	806	806	806	806	806	806	806	888
VD33353V	921	921	921	921	921	921	921	1002
VD36353V	1035	1035	1035	1035	1035	1035	1035	1117
VD39353V	1085	1085	1085	1085	1085	1085	1085	1170

PRODUCT DETAILS

- 3 drawers
- All vanity cabinets are available at a height of 31 5/8" and at a standard base cabinet height of 34 5/8". Vanities that are 34 5/8" high are represented as 35 in the product code and are 10% higher in price as reflected in the above pricing chart.
- 16" and 18" depths are available at the same prices listed above.

To order, add 16 or 18 at the end of the product code.
i.e. VD3935163V

Vanity Drawer - 4 Vertical



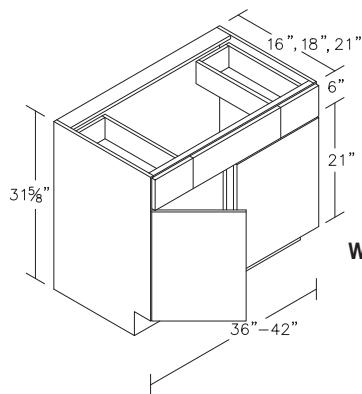
VD124V	651	651	651	651	651	651	651	716
VD13.54V	676	676	676	676	676	676	676	744
VD154V	699	699	699	699	699	699	699	769
VD16.54V	711	711	711	711	711	711	711	782
VD184V	722	722	722	722	722	722	722	794
VD19.54V	735	735	735	735	735	735	735	809
VD214V	748	748	748	748	748	748	748	823
VD12354V	716	716	716	716	716	716	716	788
VD13.5354V	744	744	744	744	744	744	744	818
VD15354V	769	769	769	769	769	769	769	846
VD16.5354V	782	782	782	782	782	782	782	860
VD18354V	794	794	794	794	794	794	794	873
VD19.5354V	809	809	809	809	809	809	809	890
VD21354V	823	823	823	823	823	823	823	905

PRODUCT DETAILS

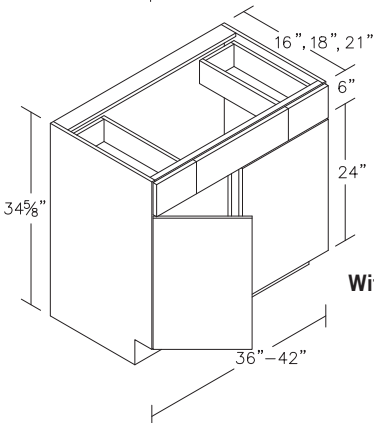
- 4 drawers
- All vanity cabinets are available at a height of 31 5/8" and at a standard base cabinet height of 34 5/8". Vanities that are 34 5/8" high are represented as 35 in the product code and are 10% higher in price as reflected in the above pricing chart.
- 16" and 18" depths are available at the same prices listed above.

To order, add 16 or 18 at the end of the product code.
i.e. VD2135164V

Sink Vanity - Drawers, 2 Doors



With center stile



With center stile

SVDLR36	699	783	838	943	1013	1118	1293	1551
SVDLR39	707	791	849	955	1025	1132	1308	1570
SVDLR42	725	811	869	979	1051	1160	1342	1610
SVDLR3635	769	861	922	1037	1114	1230	1422	1706
SVDLR3935	778	870	934	1051	1128	1245	1439	1727
SVDLR4235	798	892	956	1077	1156	1276	1476	1771

PRODUCT DETAILS

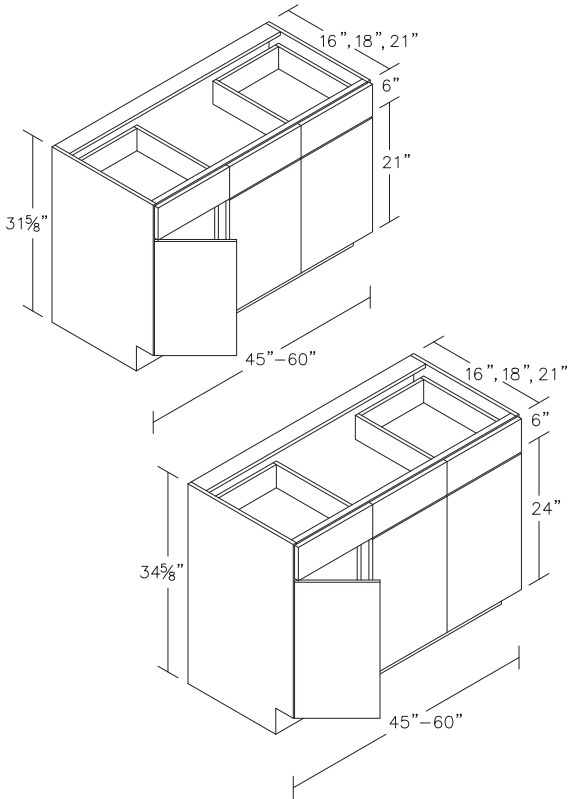
- 2 doors, 2 drawers, 1 false front
- No adjustable shelf
- DLR indicates drawer left and right of sink, false front between drawers
- All vanity cabinets are available at a height of 31 5/8" and at a standard base cabinet height of 34 5/8". Vanities that are 34 5/8" high are represented as 35 in the product code and are 10% higher in price as reflected in the above pricing chart.
- 16" and 18" depths are available at the same prices listed above.

To order, add 16 or 18 at the end of the product code.
i.e. SVDLR423516

DESIGN CONSIDERATIONS

- 36" unit has 8 1/4" wide drawers
- 39" unit has 9" wide drawers
- 42" unit has 10 3/8" wide drawers

Sink Vanity - Drawers, 3 Doors



BOX WIDTH	DRAWER WIDTH	FALSE FRONT	DOOR WIDTH OUTSIDE/MIDDLE/OUTSIDE
45"	12"	21"	12" / 21" / 12"
48"	13 1/2"	21"	13 1/2" / 21" / 13 1/2"
51"	15"	21"	15" / 21" / 15"
54"	15"	24"	15" / 24" / 15"
57"	18"	21"	18" / 21" / 18"
60"	18"	24"	18" / 24" / 18"

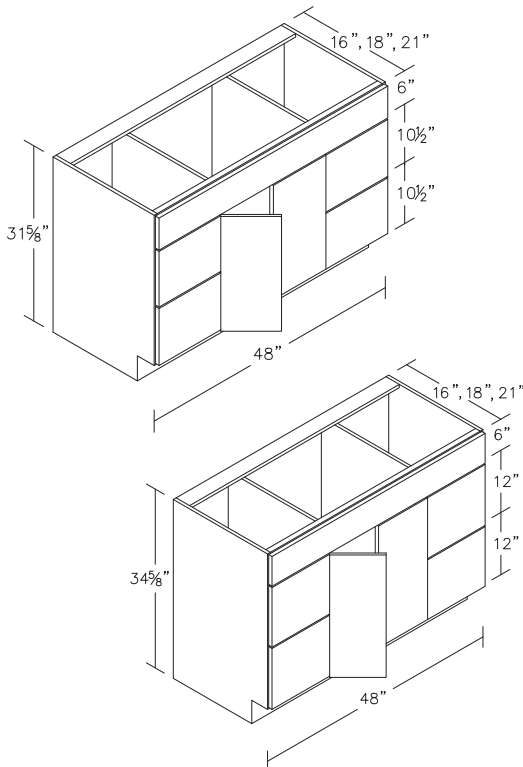
	1	2	3	4	5	6	7	8
SVDLR45(L/R)	758	849	910	1023	1099	1214	1403	1684
SVDLR48(L/R)	784	878	941	1059	1137	1254	1451	1741
SVDLR51(L/R)	810	908	972	1093	1174	1296	1499	1799
SVDLR54(L/R)	846	947	1015	1142	1226	1353	1565	1878
SVDLR57(L/R)	887	993	1064	1197	1286	1419	1641	1969
SVDLR60(L/R)	926	1037	1111	1250	1343	1482	1713	2056
SVDLR4535(L/R)	834	934	1001	1125	1209	1335	1543	1852
SVDLR4835(L/R)	862	966	1035	1165	1251	1379	1596	1915
SVDLR5135(L/R)	891	999	1069	1202	1291	1426	1649	1979
SVDLR5435(L/R)	931	1042	1117	1256	1349	1488	1722	2066
SVDLR5735(L/R)	976	1092	1170	1317	1415	1561	1805	2166
SVDLR6035(L/R)	1019	1141	1222	1375	1477	1630	1884	2262

PRODUCT DETAILS

- 3 doors, 2 drawers, 1 false front
- No adjustable shelf
- Hinge designation is for center door
- DLR indicates drawer left and right of sink, false front between drawers
- All vanity cabinets are available at a height of 31 5/8" and at a standard base cabinet height of 34 5/8". Vanities that are 34 5/8" high are represented as 35 in the product code and are 10% higher in price as reflected in the above pricing chart.
- 16" and 18" depths are available at the same prices listed above.

To order, add 16 or 18 at the end of the product code.
i.e. SVDLR603516L

Sink Vanity - Drawer Bank, False Front



	1	2	3	4	5	6	7	8
SVDBLR48FWFF	947	1061	1137	1279	1374	1516	1753	2104
SVDBLR4835FWFF	1042	1167	1251	1407	1511	1668	1928	2314

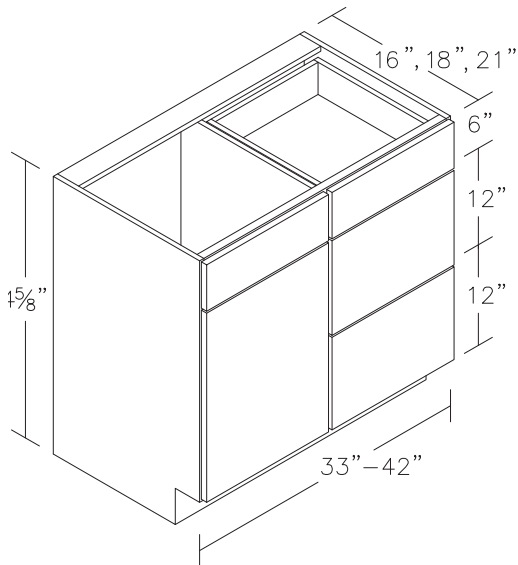
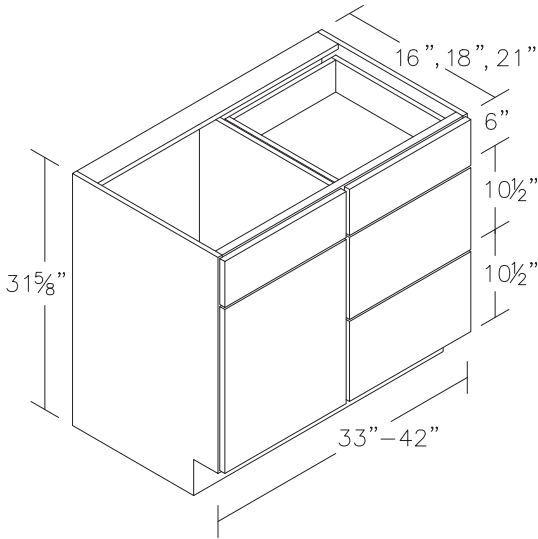
PRODUCT DETAILS

- 2 doors, 4 drawers, 1 false front
- No adjustable shelf
- 48" unit has 12" wide drawers and two 12" wide doors
- DBLR indicates drawer left and right of sink, full width false front
- All vanity cabinets are available at a height of 31 5/8" and at a standard base cabinet height of 34 5/8". Vanities that are 34 5/8" high are represented as 35 in the product code and are 10% higher in price as reflected in the above pricing chart.
- 16" and 18" depths are available at the same prices listed above.

To order, add 16 or 18 at the end of the product code.
i.e. SVDBLR483516FWFF

(L/R) specify L (hinge left) or R (hinge right) to cabinet code

Sink Vanity - Drawers



SVDB(L/R)33	778	870	934	1050	1128	1244	1438	1726
SVDB(L/R)36	799	894	958	1077	1158	1277	1477	1772
SVDB(L/R)39	816	915	980	1102	1185	1306	1511	1813
SVDB(L/R)42	838	939	1006	1132	1216	1342	1551	1862
SVDB(L/R)3335	856	957	1027	1155	1241	1368	1582	1899
SVDB(L/R)3635	879	983	1054	1185	1274	1405	1625	1949
SVDB(L/R)3935	898	1007	1078	1212	1304	1437	1662	1994
SVDB(L/R)4235	922	1033	1107	1245	1338	1476	1706	2048

PRODUCT DETAILS

- 1 door, 3 drawers, 1 false front
- No adjustable shelf
- SVDBR indicates drawer bank to the right of sink
- All vanity cabinets are available at a height of 31 5/8" and at a standard base cabinet height of 34 5/8". Vanities that are 34 5/8" high are represented as 35 in the product code and are 10% higher in price as reflected in the above pricing chart.
- 16" and 18" depths are available at the same prices listed above.

To order, add 16 or 18 at the end of the product code.
i.e. SVDBL423516

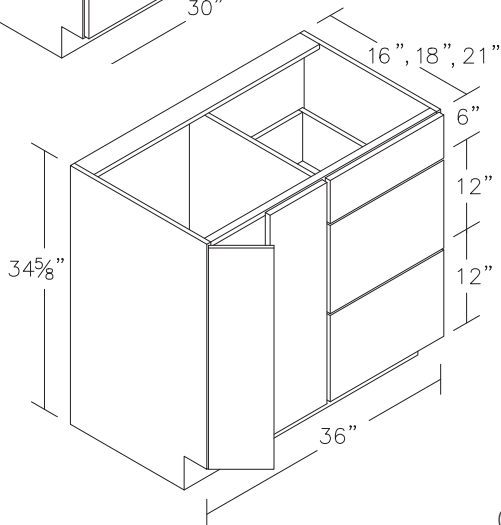
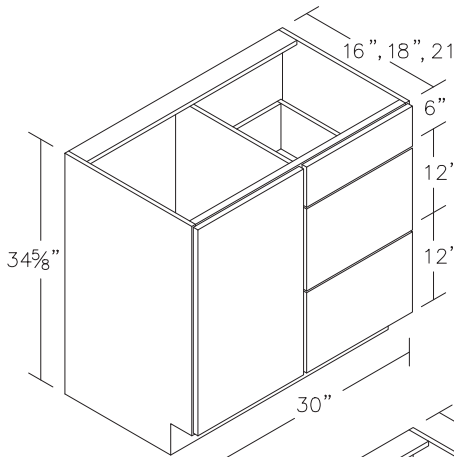
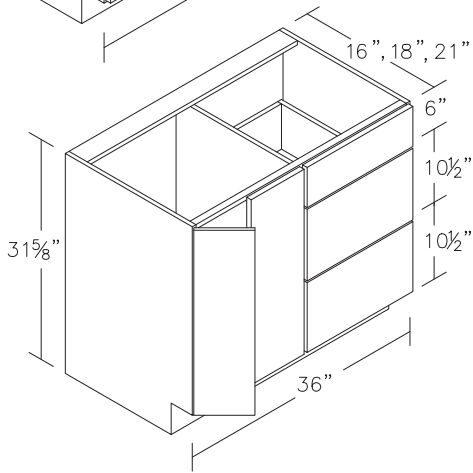
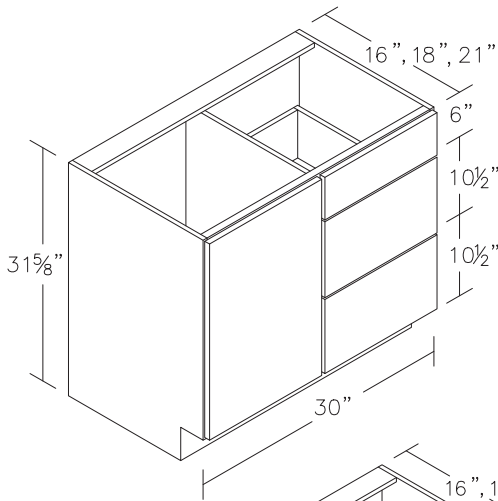
BOX WIDTH	DOOR WIDTH	DRAWER WIDTH
33"	21"	12"
36"	21"	15"
39"	24"	15"
42"	24"	18"

(L/R) specify L (hinge left) or R (hinge right) to cabinet code

	1	2	3	4	5	6	7	8
--	---	---	---	---	---	---	---	---

Sink Vanity - Drawers, Full Height Door

SVD(L/R)30FH	694	777	832	936	1005	1110	1282	1539
SVD(L/R)36-2FH	725	811	869	979	1051	1160	1342	1610
SVD(L/R)3035FH	763	855	915	1030	1106	1221	1410	1693
SVD(L/R)3635-2FH	798	892	956	1077	1156	1276	1476	1771



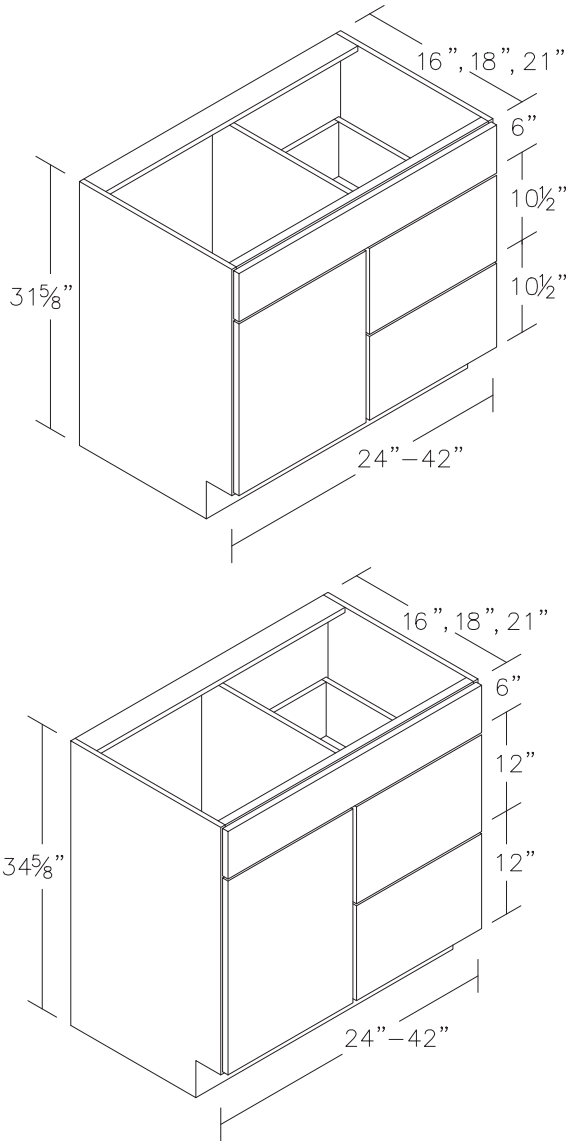
PRODUCT DETAILS

- 2 doors, 2 drawers, 1 false front
- SVDR indicates drawer bank to the right of sink
- 30" unit has 12" wide drawers and one 18" wide door
- 36" unit has 12" wide drawers and two 12" wide doors
- All vanity cabinets are available at a height of 31 5/8" and at a standard base cabinet height of 34 5/8". Vanities that are 34 5/8" high are represented as 35 in the product code and are 10% higher in price as reflected in the above pricing chart.
- 16" and 18" depths are available at the same prices listed above.

To order, add 16 or 18 at the end of the product code.
i.e. SVDL363516-2FH

(L/R) specify L (hinge left) or R (hinge right) to cabinet code

Sink Vanity - Drawer Bank, False Front



	1	2	3	4	5	6	7	8
SVD(L/R)24	603	676	725	814	875	966	1116	1340
SVD(L/R)27	618	693	740	834	895	989	1142	1371
SVD(L/R)30	636	712	763	859	922	1018	1177	1412
SVD(L/R)33	656	735	787	886	952	1050	1215	1458
SVD(L/R)36	674	755	809	910	977	1078	1247	1497
SVD(L/R)39	694	777	832	936	1005	1110	1282	1539
SVD(L/R)42	781	875	937	1055	1133	1249	1445	1734
SVD(L/R)2435	663	744	798	895	963	1063	1228	1474
SVD(L/R)2735	680	762	814	917	985	1088	1256	1508
SVD(L/R)3035	700	783	839	945	1014	1120	1295	1553
SVD(L/R)3335	722	809	866	975	1047	1155	1337	1604
SVD(L/R)3635	741	831	890	1001	1075	1186	1372	1647
SVD(L/R)3935	763	855	915	1030	1106	1221	1410	1693
SVD(L/R)4235	859	963	1031	1161	1246	1374	1590	1907

VANITY

PRODUCT DETAILS

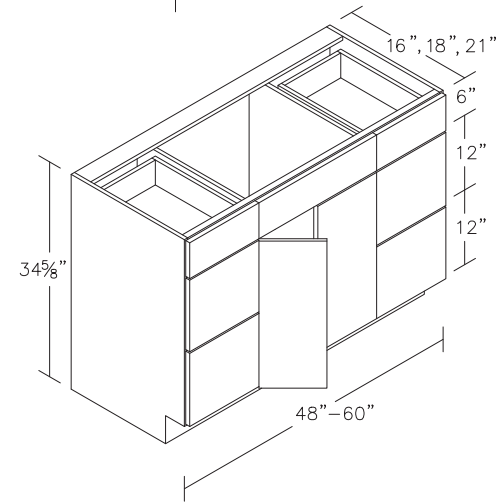
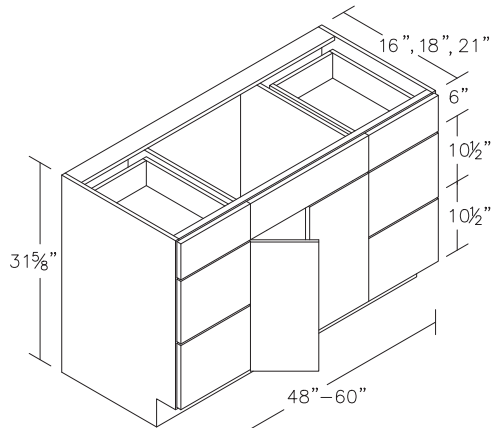
- 1 door, 2 drawers, 1 false front
- No adjustable shelf
- SVD(R) indicates drawers to the right of sink
- All vanity cabinets are available at a height of 31 5/8" and at a standard base cabinet height of 34 5/8". Vanities that are 34 5/8" high are represented as 35 in the product code and are 10% higher in price as reflected in the above pricing chart.
- 16" and 18" depths are available at the same prices listed above.

To order, add 16 or 18 at the end of the product code.
i.e. SVDL423516

BOX WIDTH	DOOR WIDTH	DRAWER WIDTH
24"	15"	9"
27"	18"	9"
30"	18"	12"
33"	21"	12"
36"	21"	15"
39"	24"	15"
42"	24"	18"

(L/R) specify L (hinge left) or R (hinge right) to cabinet code

Sink Vanity - Drawer Banks



	1	2	3	4	5	6	7	8
SVDBLR48	1184	1325	1421	1597	1715	1893	2189	2627
SVDBLR54	1213	1358	1455	1637	1758	1940	2243	2692
SVDBLR57	1242	1390	1490	1676	1801	1986	2297	2757
SVDBLR60	1259	1410	1511	1699	1826	2013	2329	2794
SVDBLR4835	1302	1458	1563	1757	1887	2082	2408	2890
SVDBLR5435	1334	1494	1601	1801	1934	2134	2467	2961
SVDBLR5735	1366	1529	1639	1844	1981	2185	2527	3033
SVDBLR6035	1385	1551	1662	1869	2009	2214	2562	307

PRODUCT DETAILS

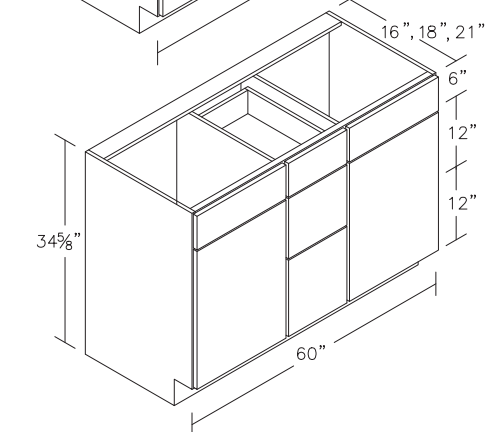
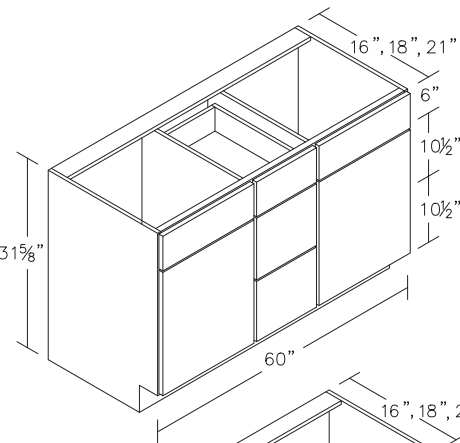
- 2 doors, 6 drawers, 1 false front
- No adjustable shelf
- DBLR indicates drawer left and right of sink, false front between drawers
- All vanity cabinets are available at a height of 31 5/8" and at a standard base cabinet height of 34 5/8". Vanities that are 34 5/8" high are represented as 35 in the product code and are 10% higher in price as reflected in the above pricing chart.
- 16" and 18" depths are available at the same prices listed above.

To order, add 16 or 18 at the end of the product code.
i.e. SVDBLR603516

DESIGN CONSIDERATIONS

- 48" unit has 12" wide drawers
- 54" unit has 15" wide drawers
- 57" unit has 16 1/2" wide drawers
- 60" unit has 18" wide drawers

Sink Vanity - Center Drawer Bank



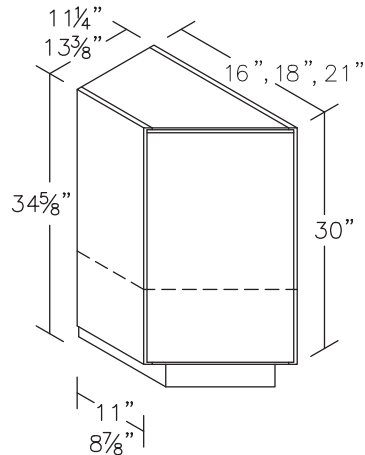
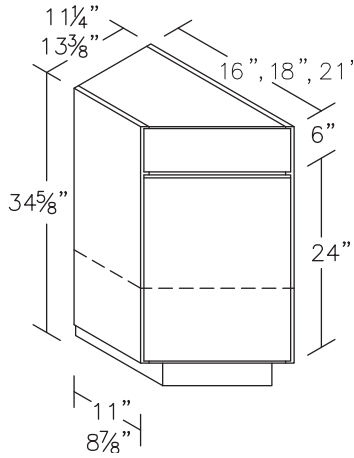
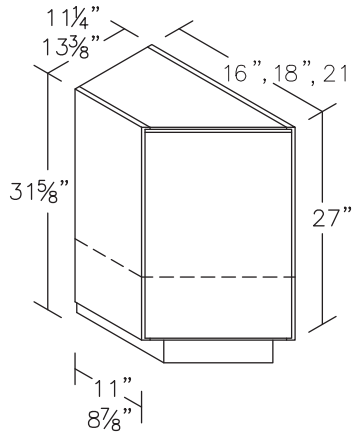
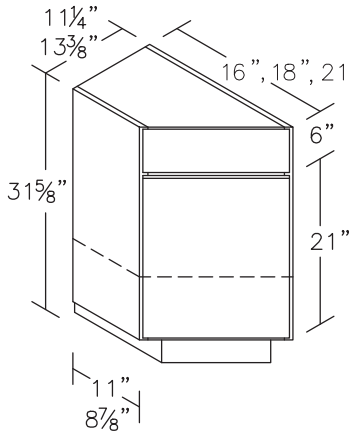
SVDDDB60	1063	1191	1276	1435	1541	1701	1968	2361
SVDDDB6035	1169	1310	1404	1579	1695	1871	2165	2597

PRODUCT DETAILS

- 2 doors, 3 drawers, 2 false fronts
- No adjustable shelf
- Center drawers are 12" wide
- All vanity cabinets are available at a height of 31 5/8" and at a standard base cabinet height of 34 5/8". Vanities that are 34 5/8" high are represented as 35 in the product code and are 10% higher in price as reflected in the above pricing chart.
- 16" and 18" depths are available at the same prices listed above.

To order, add 16 or 18 at the end of the product code.
i.e. SVDDDB603516

Vanity - End



	1	2	3	4	5	6	7	8
VE(L/R)11	509	569	610	686	737	813	941	1129
VE(L/R)13	519	582	623	701	753	831	961	1152
VE(L/R)11FH	482	539	577	650	698	770	890	1068
VE(L/R)13FH	492	551	591	665	713	787	911	1093
VE(L/R)1135	560	626	671	755	811	894	1035	1242
VE(L/R)1335	571	640	685	771	828	914	1057	1267
VE(L/R)1135FH	530	593	635	715	768	847	979	1175
VE(L/R)1335FH	541	606	650	732	784	866	1002	1202

PRODUCT DETAILS

- 1 door with 1 false front pinned together or 1 full height door
- 1 adjustable shelf
- Door is hinged on the small side
- L indicates left end of run; R indicates right end of run
- All vanity cabinets are available at a height of 31 5/8" and at a standard base cabinet height of 34 5/8". Vanities that are 34 5/8" high are represented as 35 in the product code and are 10% higher in price as reflected in the above pricing chart.
- 16" and 18" depths are available at the same prices listed above.

To order, add 16 or 18 at the end of the product code.
i.e. VEL133516FH

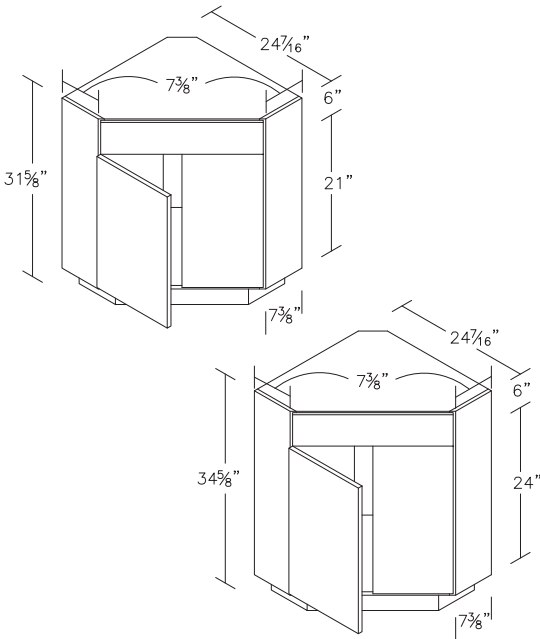
DESIGN CONSIDERATIONS

- Door is always at a 45° angle regardless of width
- Minimum depth on this cabinet is 4 1/2" on the smaller side
- Sides are not prefinished. Specify finished side
- Toe kick on the short side comes recessed

(L/R) specify L (hinge left) or R (hinge right) to cabinet code

	1	2	3	4	5	6	7	8
--	---	---	---	---	---	---	---	---

Sink Vanity - Angle



SVA24-2	910	1019	1091	1227	1319	1456	1683	2020
SVA2435-2	1001	1121	1200	1350	1451	1602	1851	2222

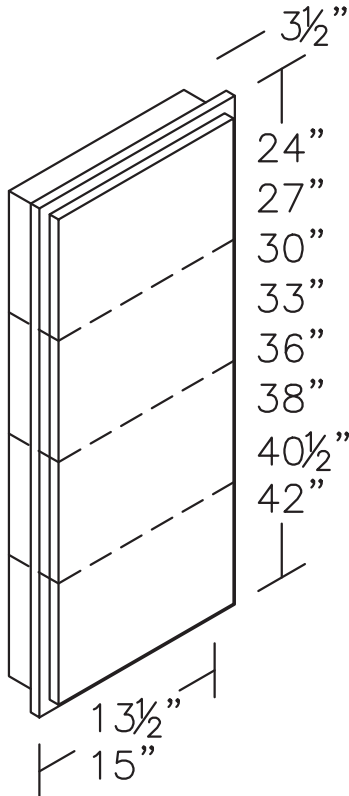
PRODUCT DETAILS

- 2 doors, 1 false front
- No adjustable shelf
- Two - 11 7/8" doors
- One - 23 27/32" false front
- Actual width is 24 7/16"
- Toe kick shipped loose
- All vanity cabinets are available at a height of 31 5/8" and at a standard base cabinet height of 34 5/8". Vanities that are 34 5/8" high are represented as 35 in the product code and are 10% higher in price as reflected in the above pricing chart.

DESIGN CONSIDERATIONS

- Specify finished ends in orders placed; otherwise, ends will not come finished

Vanity Wall Frame



VWF13.524(L/R)	397	444	476	536	575	634	734	881
VWF13.527(L/R)	424	475	509	572	615	678	784	941
VWF13.530(L/R)	451	505	541	608	654	722	834	1002
VWF13.533(L/R)	478	536	574	646	694	764	884	1061
VWF13.536(L/R)	505	566	606	682	732	808	935	1121
VWF13.538(L/R)	532	596	639	719	772	852	985	1181
VWF13.540.5(L/R)	560	626	671	755	811	894	1035	1242
VWF13.542(L/R)	587	657	704	792	851	938	1085	1302
VWF1524(L/R)	424	475	509	572	615	678	784	941
VWF1527(L/R)	451	505	541	608	654	722	834	1002
VWF1530(L/R)	478	536	574	646	694	764	884	1061
VWF1533(L/R)	505	566	606	682	732	808	935	1121
VWF1536(L/R)	532	596	639	719	772	852	985	1181
VWF1538(L/R)	560	626	671	755	811	894	1035	1242
VWF1540.5(L/R)	587	656	703	791	850	938	1085	1301
VWF1542(L/R)	614	687	736	829	890	982	1136	1362

PRODUCT DETAILS

- 1 door
- 2 adjustable shelves
- 30", 33", 36", 38", 40 1/2", and 42" heights have 3 adjustable shelves

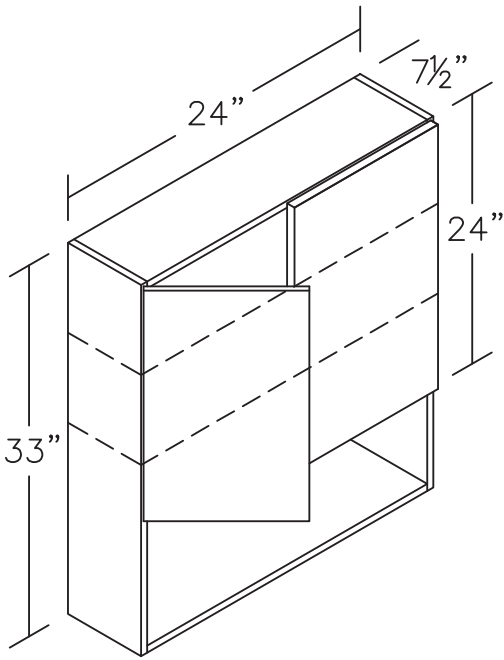
DESIGN CONSIDERATIONS

- 7/8" wide face frame lip on each edge not included in cabinet dimensions
- For recessed application
- Frames on HDF are 3" wide
- Not available in Echo Wood, Thermofoil, Melamine, PureStyle™, or Acrylic door styles

(L/R) specify L (hinge left) or R (hinge right) to cabinet code

VANITY

Vanity - Walette

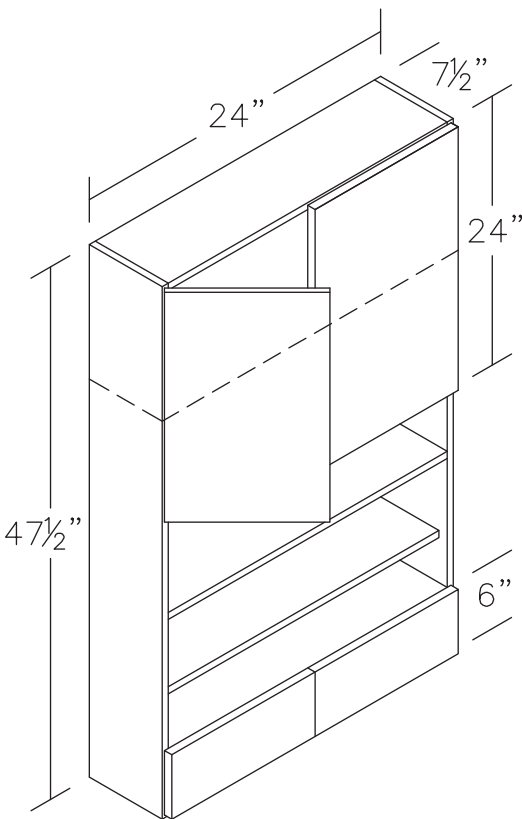


VWWM2433-2	550	617	660	743	799	881	1019	1223
VWWV2433-2	791	887	950	1069	1147	1267	1464	1758

PRODUCT DETAILS

- 2 doors
- 2 adjustable shelves
- Comes with matching interior/exterior
- M indicates Melamine interior/exterior, only available with colours that have matching Melamine
- V indicates Veneer interior/exterior
- Not available in Thermofoil or Acrylic

Vanity - John Wall Medicine



VJWM2448-2	904	1012	1085	1221	1310	1448	1673	2008
VJWV2448-2	1241	1389	1488	1674	1799	1984	2295	2754

PRODUCT DETAILS

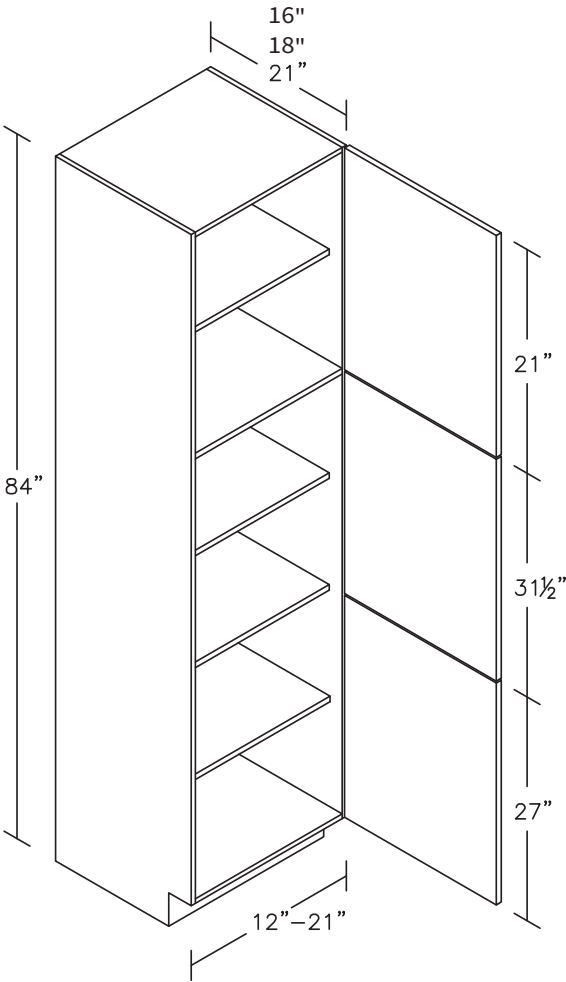
- 2 doors, 2 drawers
- 2 adjustable shelves
- Comes with matching interior/exterior
- M indicates Melamine interior/exterior, only available with colours that have matching Melamine
- V indicates Veneer interior/exterior

DESIGN CONSIDERATIONS

- Drawer boxes will be made of wood and will be friction fit
- Not available in Thermofoil or Acrylic

Vanity Tall - 3 Doors

VT122184(L/R)	754	844	904	1018	1093	1206	1395	1673
VT152184(L/R)	803	899	963	1084	1164	1283	1485	1783
VT182184(L/R)	853	955	1023	1151	1237	1363	1577	1893
VT212184(L/R)	921	1032	1106	1244	1335	1475	1705	2046



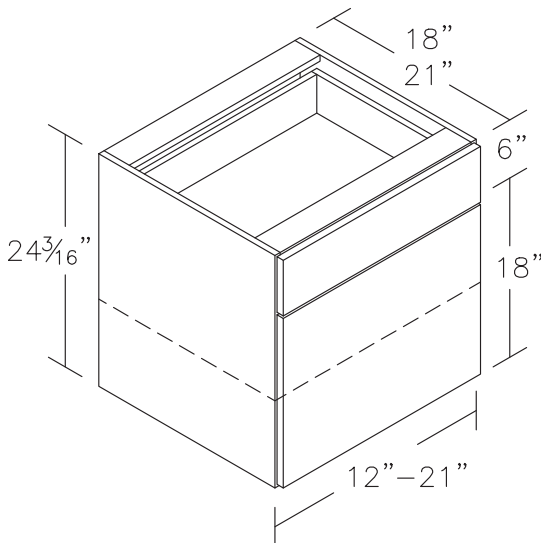
PRODUCT DETAILS

- 3 doors, top door operates independently, middle and bottom doors are pinned together and operate as one
- 4 adjustable shelves, 1 fixed shelf
- 16" and 18" depths are available at the same prices listed above.

To order, add 16 or 18 at the end of the product code.
i.e. VT2116184L

Hanging Vanity - 1 Door

HV12(L/R)	353	395	423	476	512	565	652	783
HV15(L/R)	390	437	468	526	566	625	723	867
HV18(L/R)	420	470	504	567	609	672	777	932
HV21(L/R)	456	511	546	615	659	729	842	1011



PRODUCT DETAILS

- 1 door, 1 drawer
- 1 adjustable shelf
- 18" depths are available at the same prices listed above.

To order, add 18 at the end of the product code.
i.e. HV2118L

DESIGN CONSIDERATIONS

- Hanging vanity units require a field-supplied pedestal base support

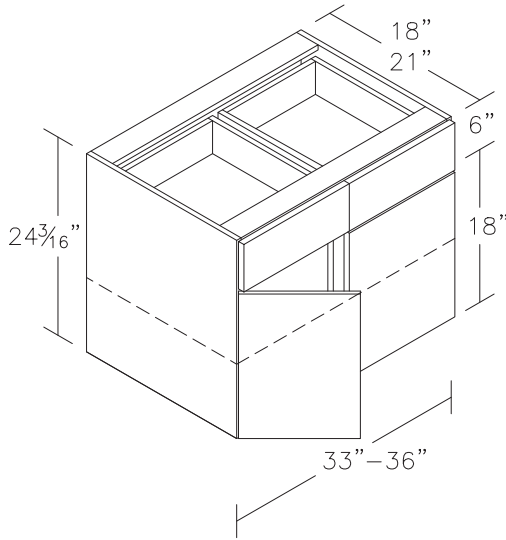
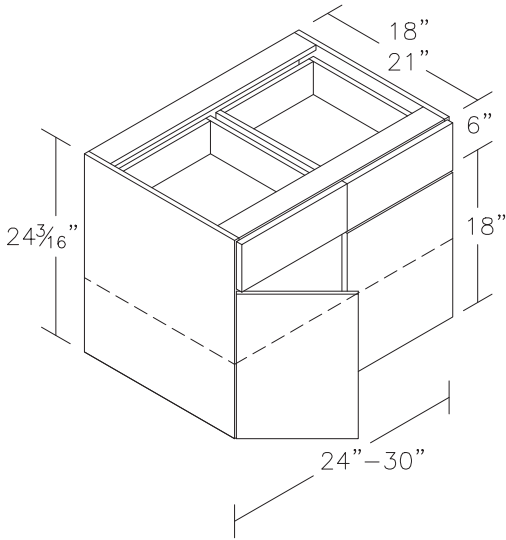
(L/R) specify L (hinge left) or R (hinge right) to cabinet code

hanging vanity

	1	2	3	4	5	6	7	8
--	---	---	---	---	---	---	---	---

Hanging Vanity - 2 Doors

HV24-2	596	668	714	805	864	954	1102	1323
HV27	657	736	789	888	954	1052	1217	1460
HV30	677	758	812	914	982	1084	1252	1503
HV33	688	772	827	930	999	1102	1274	1529
HV36	707	791	849	955	1025	1132	1308	1570



PRODUCT DETAILS

- 2 doors, 2 drawers
- 1 adjustable shelf
- 24", 27" and 30" wide units have no center stile
- HV24-2 has 2 doors, 1 drawer
- 18" depths are available at the same prices listed above.

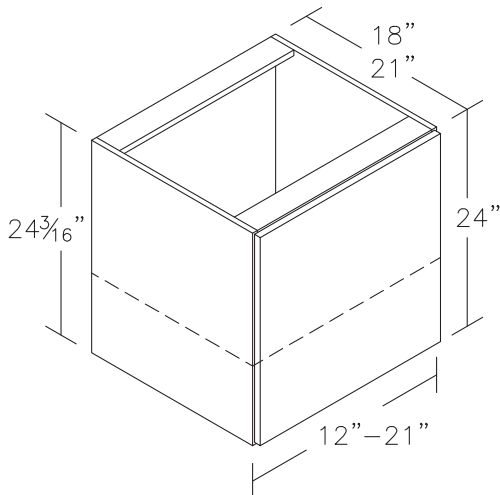
To order, add 18 at the end of the product code.
i.e. HV3618

DESIGN CONSIDERATIONS

- Hanging vanity units require a field-supplied pedestal base support

Hanging Vanity - Full Height Door, 1 Door

HV12FH(L/R)	348	390	417	470	505	557	645	774
HV15FH(L/R)	370	414	443	499	537	592	684	822
HV18FH(L/R)	394	441	472	531	571	629	728	874
HV21FH(L/R)	421	471	505	568	610	673	779	935



PRODUCT DETAILS

- 1 door
- 1 adjustable shelf
- 18" depths are available at the same prices listed above.

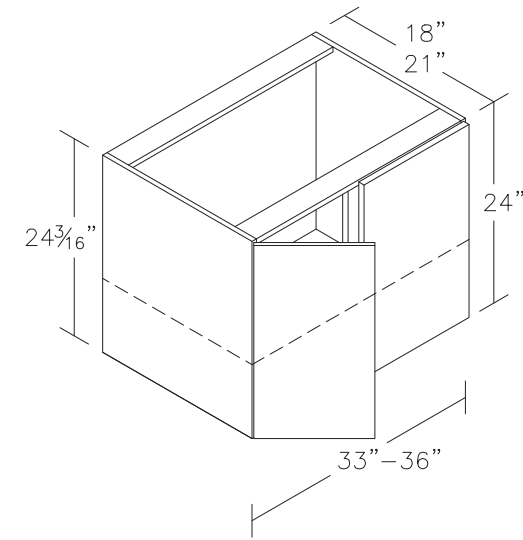
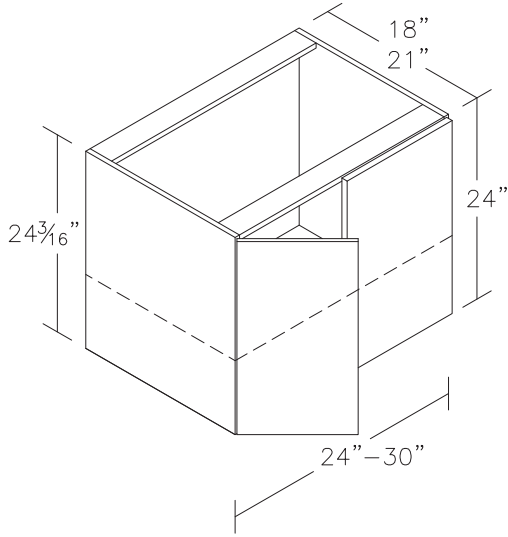
To order, add 18 at the end of the product code.
i.e. HV2118FHL

DESIGN CONSIDERATIONS

- Hanging vanity units require a field-supplied pedestal base support

(L/R) specify L (hinge left) or R (hinge right) to cabinet code

Hanging Vanity - Full Height Door, 2 Doors



HV24FH-2	466	522	560	629	676	747	862	1035
HV27FH	471	528	566	638	683	755	873	1047
HV30FH	487	545	584	657	706	779	901	1082
HV33FH	502	563	602	677	728	803	928	1114
HV36FH	517	578	621	698	750	828	956	1147

PRODUCT DETAILS

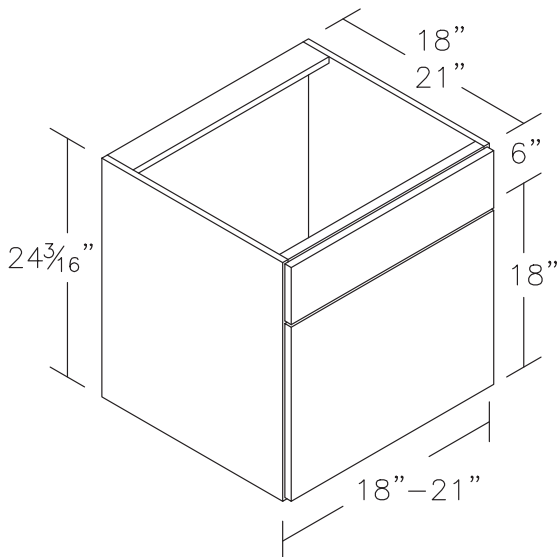
- 2 doors
- 1 adjustable shelf
- 24", 27" and 30" wide units have no center stile
- 18" depths are available at the same prices listed above.

To order, add 18 at the end of the product code.
i.e. HV3618FH

DESIGN CONSIDERATIONS

- Hanging vanity units require a field-supplied pedestal base support

Hanging Sink Vanity - 1 Door



HSV18(L/R)	303	340	363	409	439	485	561	672
HSV21(L/R)	352	394	422	475	510	563	650	780

PRODUCT DETAILS

- 1 door, 1 false front
- No adjustable shelf
- 18" depths are available at the same prices listed above.

To order, add 18 at the end of the product code.
i.e. HSV2118L

DESIGN CONSIDERATIONS

- Hanging vanity units require a field-supplied pedestal base support

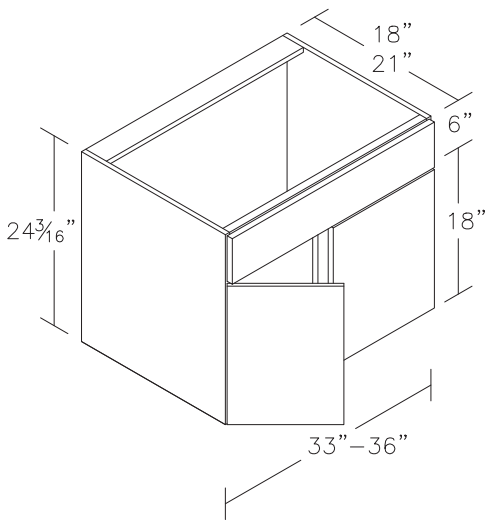
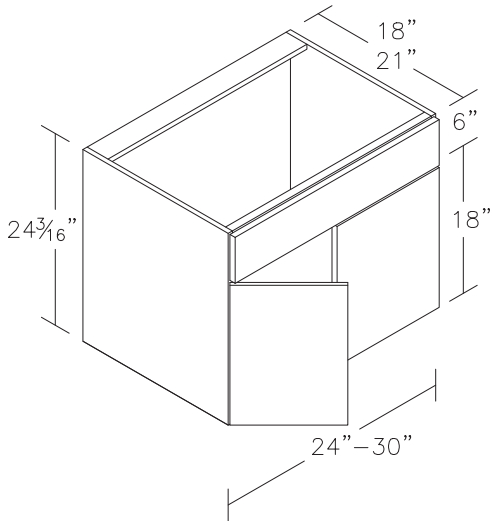
(L/R) specify L (hinge left) or R (hinge right) to cabinet code

hanging vanity

	1	2	3	4	5	6	7	8
--	---	---	---	---	---	---	---	---

Hanging Sink Vanity - 2 Doors

HSV24-2	407	456	488	549	590	651	753	904
HSV27	474	531	569	640	686	758	876	1051
HSV30	494	553	593	668	718	790	914	1097
HSV33	511	572	613	688	739	816	944	1134
HSV36	531	595	638	718	770	850	982	1178



PRODUCT DETAILS

- 2 doors, 1 false front
- No adjustable shelf
- 24", 27" and 30" wide units have no center stile
- 18" depths are available at the same prices listed above.

To order, add 18 at the end of the product code.
i.e. HSV3618

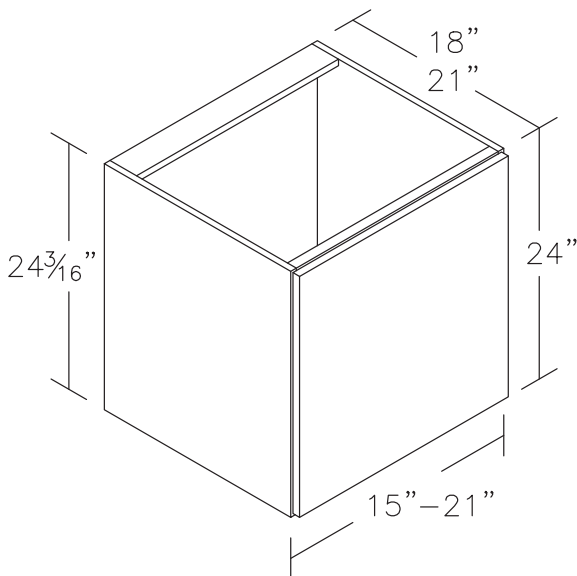
DESIGN CONSIDERATIONS

- Hanging vanity units require a field-supplied pedestal base support

VANITY

Hanging Sink Vanity - Full Height Door, 1 Door

HSV15FH(L/R)	370	414	443	499	537	592	684	822
HSV18FH(L/R)	394	441	472	531	571	629	728	874
HSV21FH(L/R)	421	471	505	568	610	673	779	935



PRODUCT DETAILS

- 1 door
- No adjustable shelf
- 18" depths are available at the same prices listed above.

To order, add 18 at the end of the product code.
i.e. HSV2118FHL

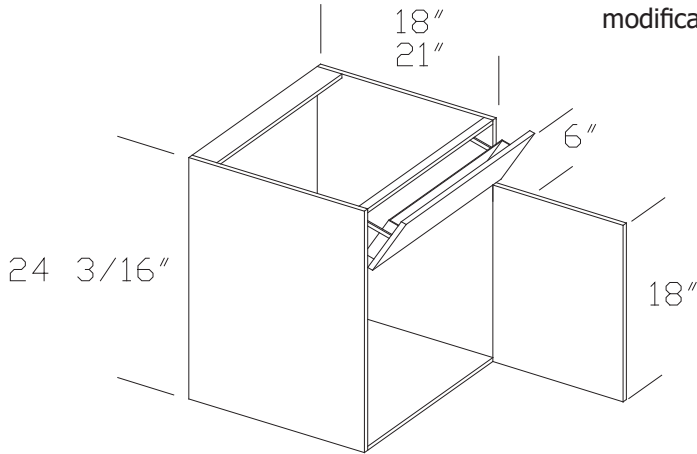
DESIGN CONSIDERATIONS

- Hanging vanity units require a field-supplied pedestal base support

(L/R) specify L (hinge left) or R (hinge right) to cabinet code

Tilt-Out Tray Option

Add a factory installed tilt-out tray storage tray. Please refer to the modification section of this book for pricing.

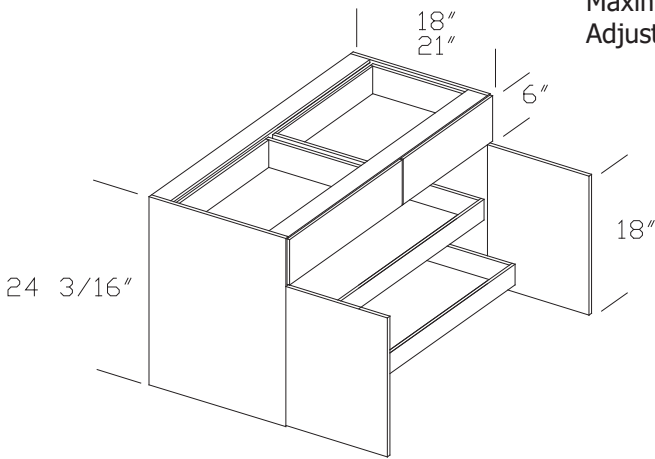


PRODUCT DETAILS

- Available only in 18" and 21" depth units
- Available on sink bases and sink vanities
- Abbreviated as TO when ordering

Slide-Out Tray Option – Unit with Drawers

Maximum number of slide-out trays is 2
Adjustable shelf will be removed after 1 slide-out tray is added

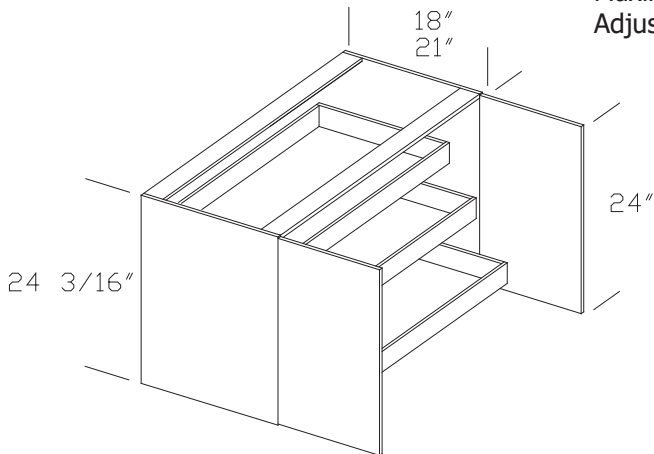


PRODUCT DETAILS

- Available only in 18" and 21" depth units
- Available on hanging vanity units with drawers
- Abbreviated as SOT when ordering

Slide-Out Tray Option – Full Height Doors

Maximum number of slide-out trays is 4
Adjustable shelf will be removed after 1 slide-out tray is added



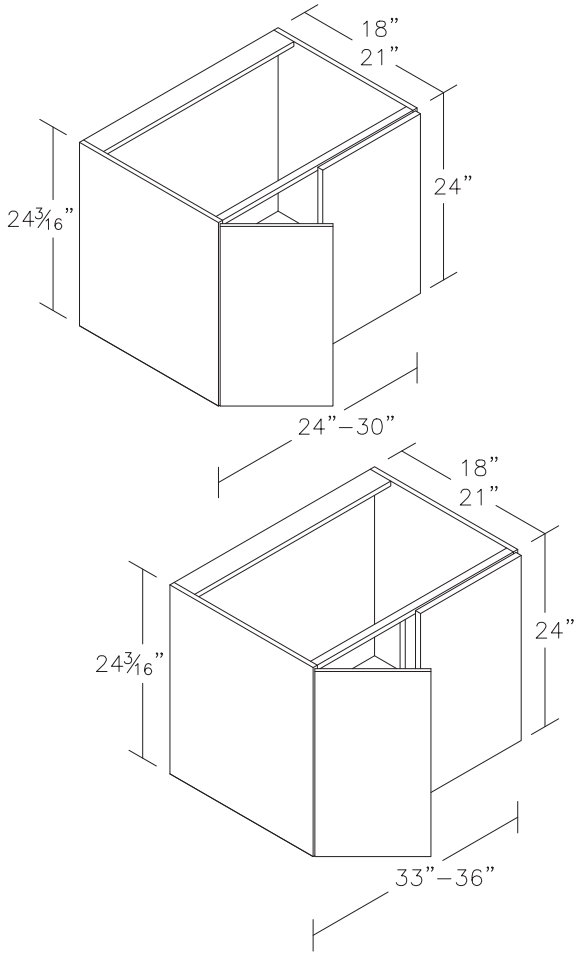
PRODUCT DETAILS

- Available only in 18" and 21" depth units
- Available on hanging vanity units with full height doors
- Abbreviated as SOT when ordering

(L/R) specify L (hinge left) or R (hinge right) to cabinet code

hanging vanity

Hanging Sink Vanity - Full Height Door, 2 Doors



HSV24FH-2	447	501	537	603	648	714	827	991
HSV27FH	471	528	566	638	683	755	873	1047
HSV30FH	487	545	584	657	706	779	901	1082
HSV33FH	502	563	602	677	728	803	928	1114
HSV36FH	517	578	621	698	750	828	956	1147

PRODUCT DETAILS

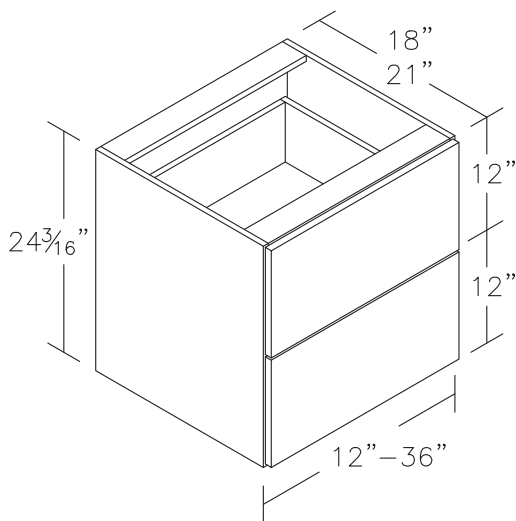
- 2 doors
- No adjustable shelf
- 24", 27" and 30" wide units have no center stile
- 18" depths are available at the same prices listed above.

To order, add 18 at the end of the product code.
i.e. HSV3618FH

DESIGN CONSIDERATIONS

- Hanging vanity units require a field-supplied pedestal support

Hanging Vanity - Drawer Bank, 2 Vertical



HVD122V	499	499	499	499	499	499	499	549
HVD152V	519	519	519	519	519	519	519	571
HVD182V	524	524	524	524	524	524	524	576
HVD212V	531	531	531	531	531	531	531	584
HVD242V	542	542	542	542	542	542	542	596
HVD272V	553	553	553	553	553	553	553	608
HVD302V	564	564	564	564	564	564	564	620
HVD332V	575	575	575	575	575	575	575	632
HVD362V	587	587	587	587	587	587	587	645

PRODUCT DETAILS

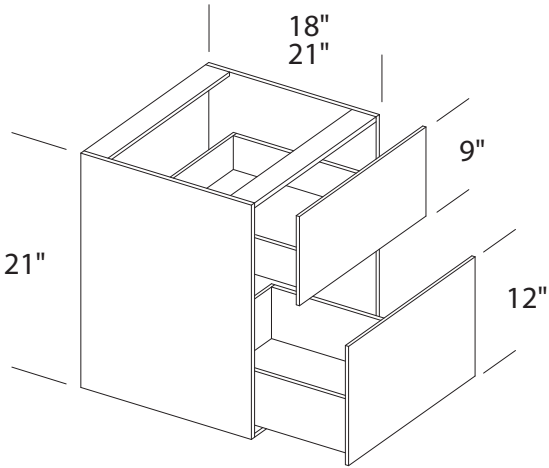
- 2 drawers
- 18" depths are available at the same prices listed above.

To order, add 18 at the end of the product code.
i.e. HVD36182V

DESIGN CONSIDERATIONS

- Hanging vanity units require a field-supplied pedestal support

Hanging Vanity - Drawer Bank, 2 Vertical 21" High



HVD1221212V	474	474	474	474	474	474	474	524
HVD1521212V	494	494	494	494	494	494	494	546
HVD1821212V	499	499	499	499	499	499	499	551
HVD2121212V	506	506	506	506	506	506	506	559
HVD2421212V	517	517	517	517	517	517	517	571
HVD2721212V	528	528	528	528	528	528	528	583
HVD3021212V	539	539	539	539	539	539	539	595
HVD3321212V	550	550	550	550	550	550	550	607
HVD3621212V	562	562	562	562	562	562	562	620

PRODUCT DETAILS

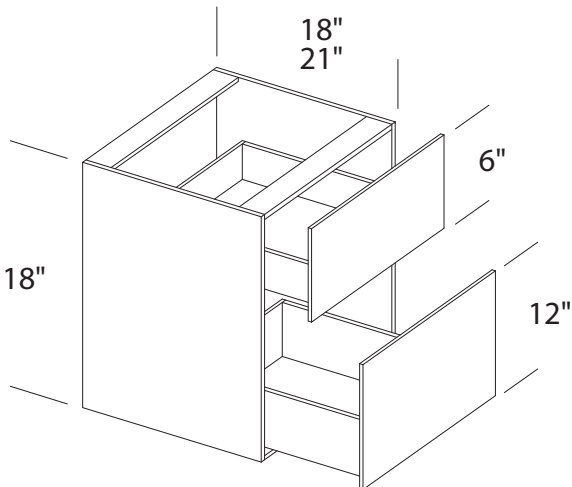
- 2 drawers
- 21" high
- 18" depths are available at the same prices listed above.

To order, add 18 at the end of the product code.
i.e. HVD1818212V

DESIGN CONSIDERATIONS

- Hanging vanity units require a field-supplied pedestal base support

Hanging Vanity - Drawer Bank, 2 Vertical 18" High



HVD1221182V	449	449	449	449	449	449	449	499
HVD1521182V	469	469	469	469	469	469	469	521
HVD1821182V	474	474	474	474	474	474	474	526
HVD2121182V	481	481	481	481	481	481	481	534
HVD2421182V	492	492	492	492	492	492	492	546
HVD2721182V	503	503	503	503	503	503	503	558
HVD3021182V	514	514	514	514	514	514	514	570
HVD3321182V	525	525	525	525	525	525	525	582
HVD3621182V	537	537	537	537	537	537	537	595

PRODUCT DETAILS

- 2 drawers
- 18" high
- 18" depths are available at the same prices listed above.

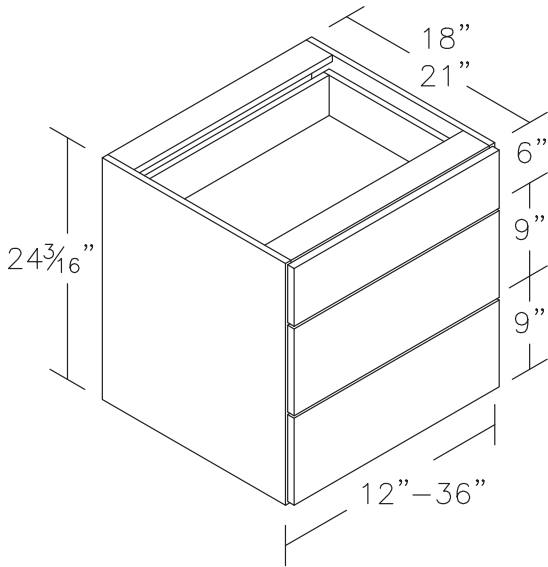
To order, add 18 at the end of the product code.
i.e. HVD1821182V

DESIGN CONSIDERATIONS

- Hanging vanity units require a field-supplied pedestal base support

(L/R) specify L (hinge left) or R (hinge right) to cabinet code

Hanging Vanity - Drawer Bank, 3 Vertical



HVD123V	509	509	509	509	509	509	509	560
HVD153V	543	543	543	543	543	543	543	597
HVD183V	572	572	572	572	572	572	572	629
HVD213V	609	609	609	609	609	609	609	671
HVD243V	713	713	713	713	713	713	713	785
HVD273V	716	716	716	716	716	716	716	787
HVD303V	733	733	733	733	733	733	733	807
HVD333V	837	837	837	837	837	837	837	911
HVD363V	941	941	941	941	941	941	941	1015

PRODUCT DETAILS

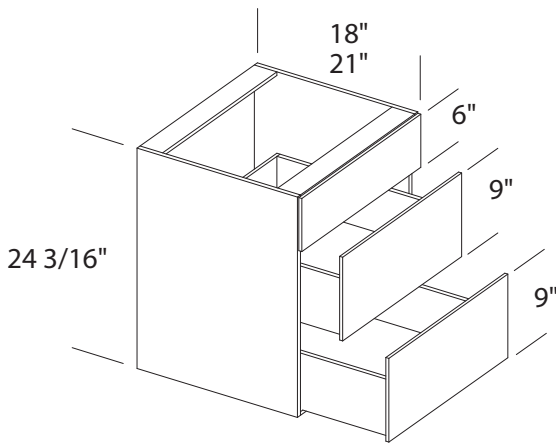
- 3 drawers
- 18" depths are available at the same prices listed above.

To order, add 18 at the end of the product code.
i.e. HVD36183V

DESIGN CONSIDERATIONS

- Hanging vanity units require a field-supplied pedestal base support

Hanging Vanity - Drawer Bank, 3 Vertical with False Front



HVD123VFF	397	397	397	397	397	397	397	448
HVD153VFF	431	431	431	431	431	431	431	485
HVD183VFF	460	460	460	460	460	460	460	517
HVD213VFF	497	497	497	497	497	497	497	559
HVD243VFF	601	601	601	601	601	601	601	673
HVD273VFF	604	604	604	604	604	604	604	675
HVD303VFF	621	621	621	621	621	621	621	695
HVD333VFF	725	725	725	725	725	725	725	799
HVD363VFF	829	829	829	829	829	829	829	903

PRODUCT DETAILS

- 2 drawers, 1 false front
- 18" depths are available at the same prices listed above.

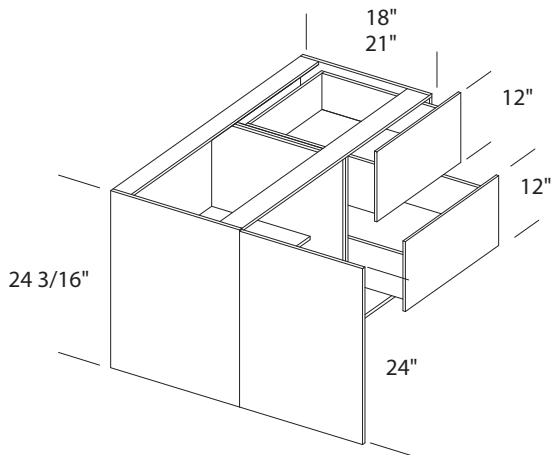
To order, add 18 after the width in the product code.
i.e. HVD18183VFF

DESIGN CONSIDERATIONS

- Hanging vanity units require a field-supplied pedestal base support

(L/R) specify L (hinge left) or R (hinge right) to cabinet code

Hanging Vanity - Drawers, Full Height Door



	1	2	3	4	5	6	7	8
HVD(L/R)24	569	702	757	861	930	1035	1207	1464
HVD(L/R)27	619	702	757	861	930	1035	1207	1464
HVD(L/R)30	669	752	807	911	980	1085	1257	1514
HVD(L/R)33	719	802	857	961	1030	1135	1307	1564
HVD(L/R)36	769	852	907	1011	1080	1185	1357	1614

PRODUCT DETAILS

- 2 drawers, 1 door
- 18" depths are available at the same prices listed above.

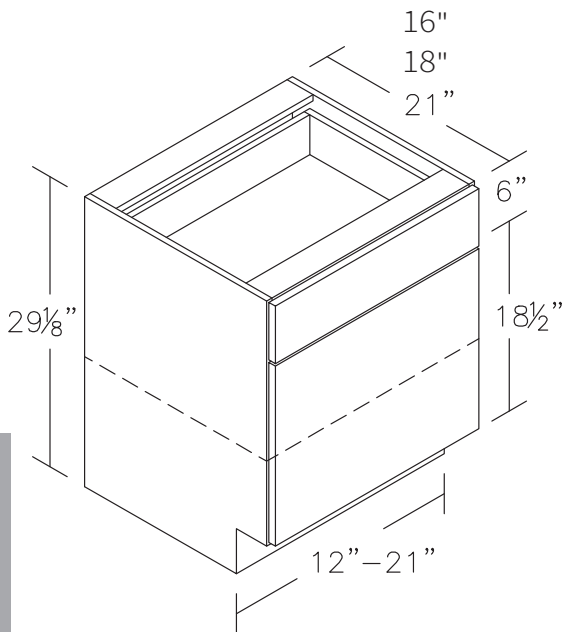
To order, add 18 at the end of the product code.
i.e. HVDL2418

DESIGN CONSIDERATIONS

- Hanging vanity units require a field-supplied pedestal base support

SKU	DOOR	DRAWER
HVD(L/R)24	15	9
HVD(L/R)27	18	9
HVD(L/R)30	18	12
HVD(L/R)33	21	12
HVD(L/R)36	21	15

Desk Cabinet - 1 Door



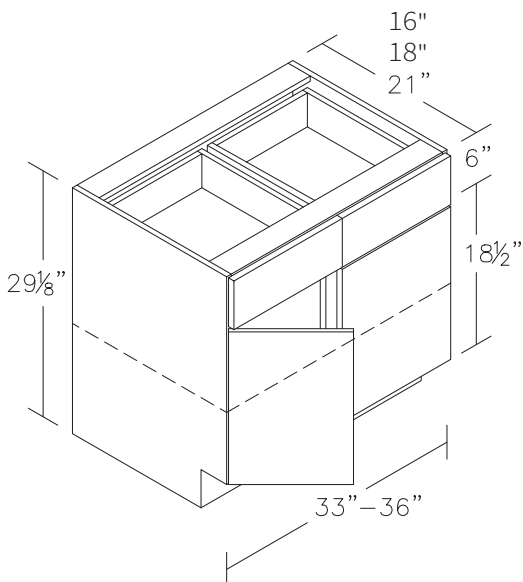
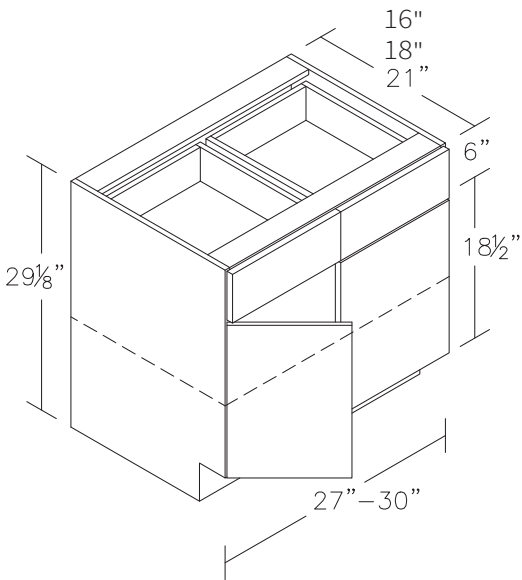
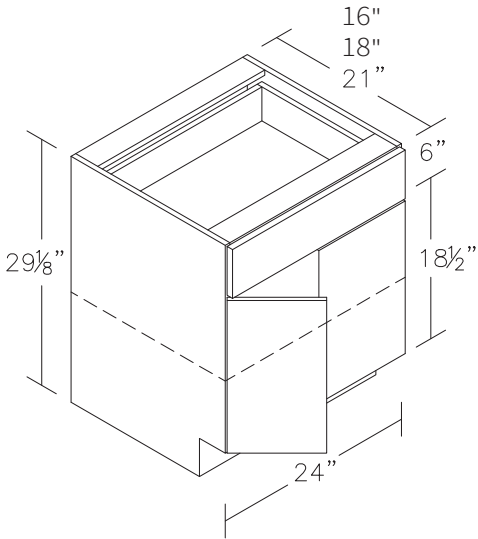
	1	2	3	4	5	6	7	8
DC1229(L/R)	353	395	423	476	512	565	652	783
DC1529(L/R)	390	437	468	526	566	625	723	867
DC1829(L/R)	420	470	504	567	609	672	777	932
DC2129(L/R)	456	511	546	615	659	729	842	1011

PRODUCT DETAILS

- 1 door, 1 drawer
- 1 adjustable shelf
- To be used with desk units only
- Desk cabinets are not available at base heights
- 16" and 18" depths are available at the same prices listed above.

To order, add 16 or 18 after the width in the product code.
i.e. DC212916L

Desk Cabinet - 2 Doors



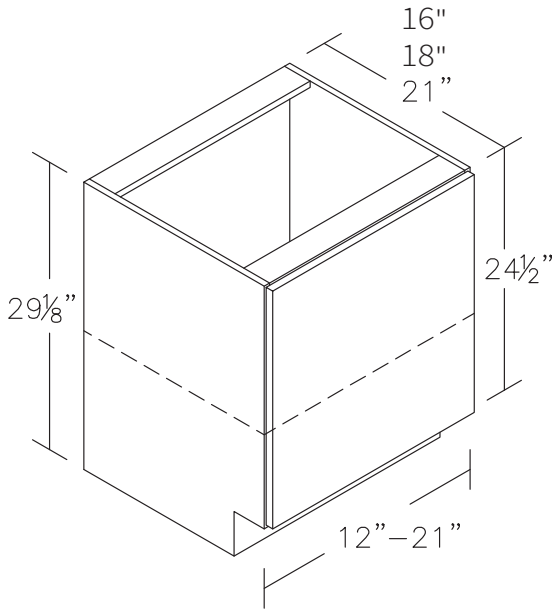
DC2429-2	535	598	642	722	775	855	989	1187
DC2729	589	658	706	794	854	941	1088	1305
DC3029	648	726	778	875	940	1036	1198	1438
DC3329	711	797	855	961	1032	1139	1317	1580
DC3629	783	877	940	1057	1136	1252	1449	1738

PRODUCT DETAILS

- 2 doors, 2 drawers
- 1 adjustable shelf
- DC2429-2 has 2 doors, 1 drawer, 1 adjustable shelf
- 24", 27" and 30" wide units have no center stile
- To be used with desk units only
- Desk cabinets are not available at base heights
- 16" and 18" depths are available at the same prices listed above.

To order, add 16 or 18 after the width in the product code.
i.e. DC362916

Desk Cabinet - Full Height Door, 1 Door



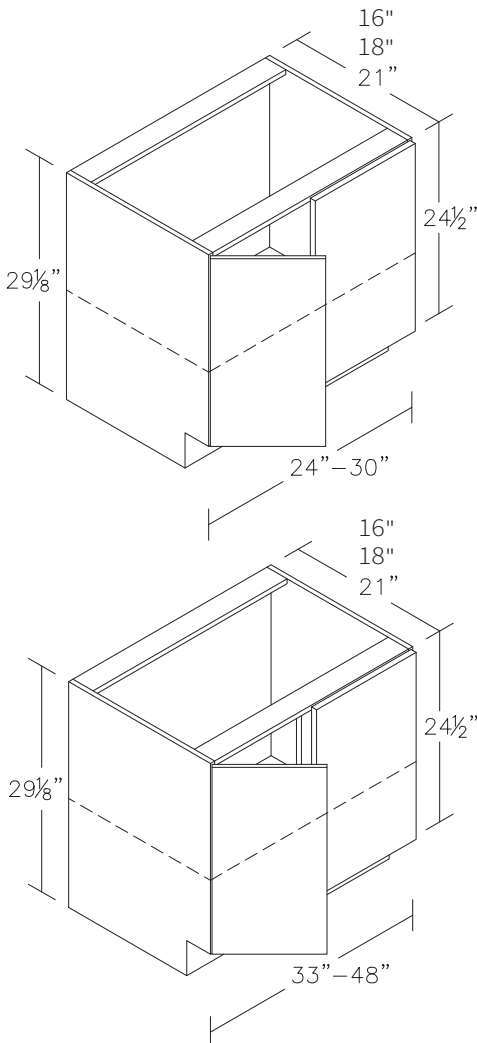
	1	2	3	4	5	6	7	8
DC1229FH(L/R)	318	356	382	430	461	509	589	706
DC1529FH(L/R)	355	397	426	479	515	568	656	788
DC1829FH(L/R)	394	441	472	531	571	629	728	874
DC2129FH(L/R)	433	485	519	584	627	693	801	961

PRODUCT DETAILS

- 1 door
- 1 adjustable shelf
- To be used with desk units only
- Desk cabinets are not available at base heights
- 16" and 18" depths are available at the same prices listed above.

To order, add 16 or 18 after the width in the product code.
i.e. DC212916FHL

Desk Cabinet - Full Height Door, 2 Doors



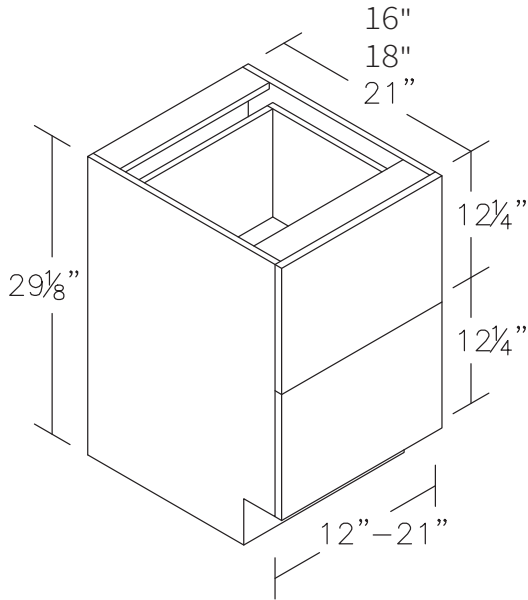
DC2429-2FH	483	541	578	651	700	773	892	1071
DC3029FH	583	653	700	787	846	932	1078	1294
DC3629FH	705	789	846	952	1022	1128	1304	1565
DC4229FH	777	869	932	1048	1126	1243	1436	1723
DC4829-2FH	853	955	1023	1151	1237	1363	1577	1893

PRODUCT DETAILS

- 2 doors
- 1 adjustable shelf
- 24" and 30" wide units have no center stile
- To be used with desk units only
- Desk cabinets are not available at base heights
- 16" and 18" depths are available at the same prices listed above.

To order, add 16 or 18 after the width in the product code.
i.e. DC482916-2FH

(L/R) specify L (hinge left) or R (hinge right) to cabinet code

Desk Drawer - 2 Vertical

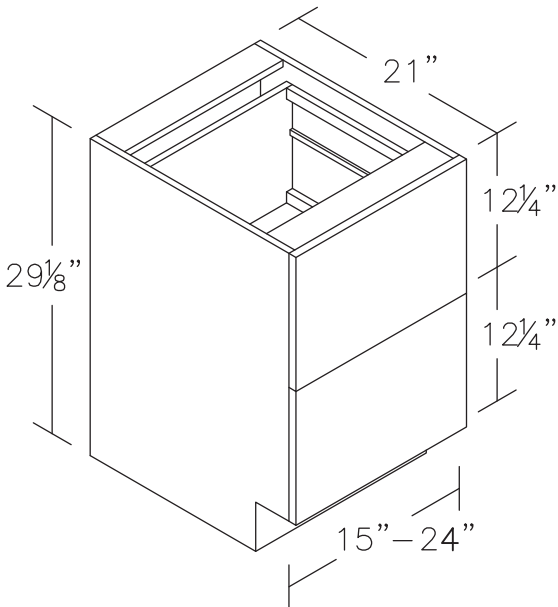
DD12292V	567	567	567	567	567	567	567	623
DD15292V	597	597	597	597	597	597	597	657
DD18292V	629	629	629	629	629	629	629	692
DD21292V	661	661	661	661	661	661	661	728

PRODUCT DETAILS

- 2 drawers
- To be used with desk units only
- Desk cabinets are not available at base heights
- 16" and 18" depths are available at the same prices listed above.

To order, add 16 or 18 after the width in the product code.

i.e. DD2129162V

Desk Drawer - 2 Vertical, File Suspension

DD152V2HFS	759	759	759	759	759	759	759	818
DD182V2HFS	791	791	791	791	791	791	791	855
DD212V2HFS	823	823	823	823	823	823	823	890
DD242V2HFS	838	838	838	838	838	838	838	905

PRODUCT DETAILS

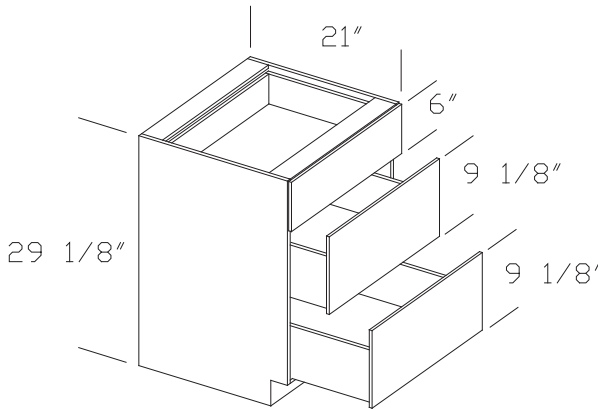
- 2 drawers, full extension glides for installed file suspension
- 15" wide unit is letter size
- 18" wide unit is legal size
- Depth cannot be modified
- File system comes installed
- Desk cabinets are not available at base heights

DESIGN CONSIDERATIONS

- This unit is only available with Single Wall Steel and Double Wall Steel drawer boxes. (Not available with Wood Dovetail drawer boxes).
- This unit cannot be less than 21" deep

	1	2	3	4	5	6	7	8
DD15293V	570	570	570	570	570	570	570	627
DD18293V	601	601	601	601	601	601	601	661

Desk Drawer - 3 Vertical



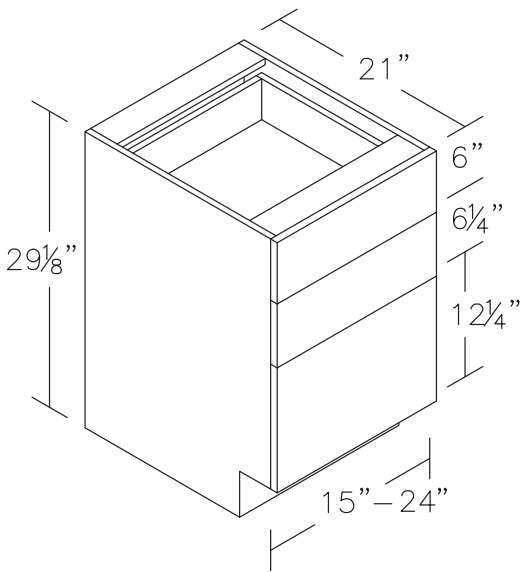
PRODUCT DETAILS

- 3 drawers
- To be used with desk units only
- Desk cabinets are not available at base heights
- 16" and 18" depths are available at the same prices listed above.

To order, add 16 or 18 after the width in the product code.
i.e. DD1829163V

Desk Drawer - 3 Vertical, File Suspension

DD153V1HFS	678	678	678	678	678	678	678	737
DD183V1HFS	710	710	710	710	710	710	710	774
DD213V1HFS	747	747	747	747	747	747	747	804
DD243V1HFS	762	762	762	762	762	762	762	819



PRODUCT DETAILS

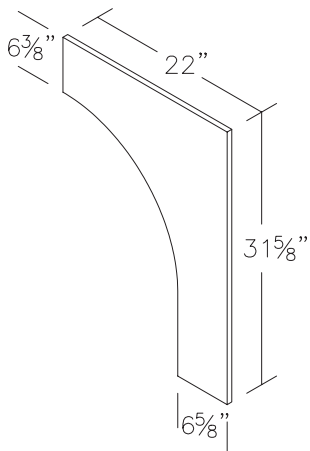
- 3 drawers, full extension glides for file suspension
- 15" wide unit = letter size
- 18" wide unit = legal size
- Depth cannot be modified
- Bottom drawer will be the file suspension
- File system comes installed
- Desk cabinets are not available at base heights

DESIGN CONSIDERATIONS

- This unit is only available with Single Wall Steel and Double Wall Steel drawer boxes. (Not available with Wood Dovetail drawer boxes).
- This unit cannot be less than 21" deep

Curved Desk Panel - Veneer and Melamine

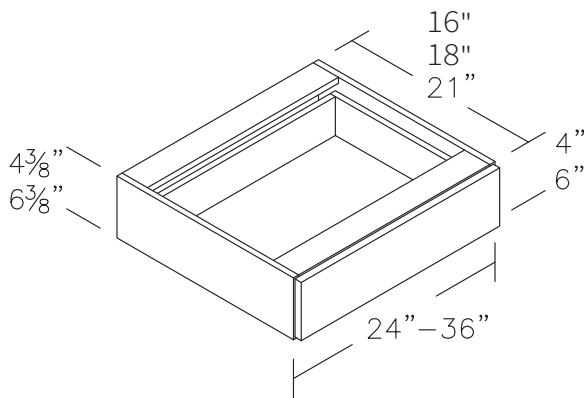
CDP	121	121	121	121	121	121	121	133
MCDP	70	70	70	70	70	70	70	70



PRODUCT DETAILS

- CDP is 5/8" thick Veneer
- MCDP is 5/8" thick Melamine or PureStyle™
- Trim to fit on job site

Desk Front - 1 Drawer



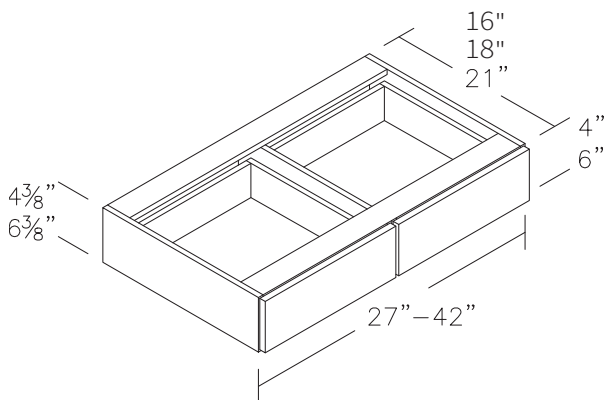
DSK24-1FWD	234	234	234	234	234	234	234	257
DSK27-1FWD	319	319	319	319	319	319	319	351
DSK30-1FWD	335	335	335	335	335	335	335	368
DSK33-1FWD	345	345	345	345	345	345	345	380
DSK36-1FWD	349	349	349	349	349	349	349	384
DSK244-1FWD	248	248	248	248	248	248	248	272
DSK274-1FWD	259	259	259	259	259	259	259	285
DSK304-1FWD	274	274	274	274	274	274	274	301
DSK364-1FWD	285	285	285	285	285	285	285	313

PRODUCT DETAILS

- 1 full width drawer
- 4" high cabinet comes with slab drawer front and wood drawer in all styles
- Top 5 skus listed above are available in all drawer box sizes
- Desk cabinets are not available at base heights
- 16" and 18" depths are available at the same prices listed above.

To order, add 16 or 18 after the width in the product code.
i.e. DSK36164-1FWD

Desk Front - 2 Drawers



DSK27-2	322	322	322	322	322	322	322	355
DSK30-2	361	361	361	361	361	361	361	397
DSK33-2	368	368	368	368	368	368	368	405
DSK36-2	431	431	431	431	431	431	431	474
DSK39-2	457	457	457	457	457	457	457	502
DSK42-2	486	486	486	486	486	486	486	534
DSK274-2	311	311	311	311	311	311	311	342
DSK304-2	343	343	343	343	343	343	343	378
DSK334-2	349	349	349	349	349	349	349	384
DSK364-2	417	417	417	417	417	417	417	459

PRODUCT DETAILS

- 2 drawers
- 4" high cabinet comes with slab drawer front and wood drawer in all styles
- Top 6 skus listed above are available in all drawer box sizes
- Desk cabinets are not available at base heights
- 16" and 18" depths are available at the same prices listed above.

To order, add 16 or 18 after the width in the product code.
i.e. DSK36164-2

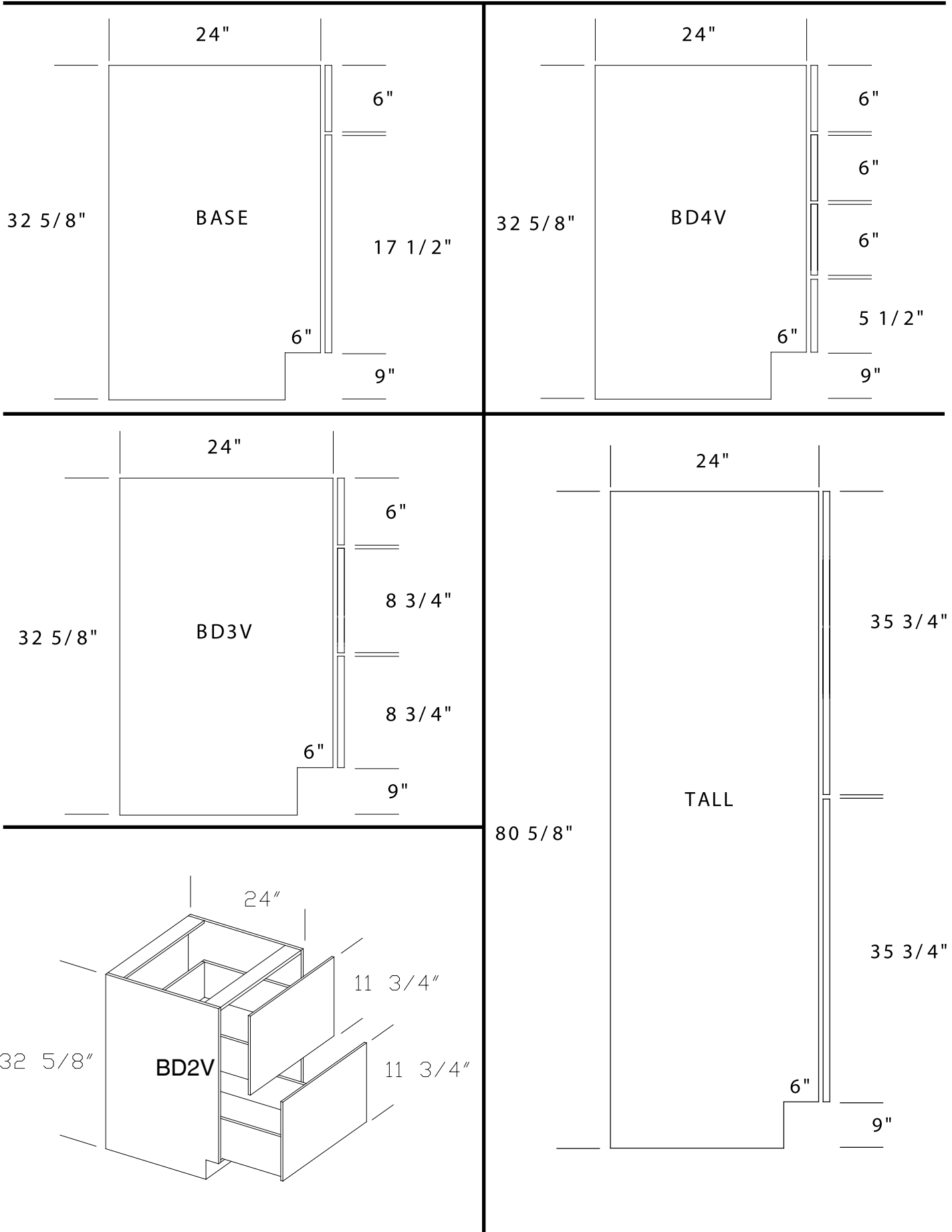
ADA Cabinets

Refer to pages D.10-D.39 for specific door style information.

ADA stands for Americans with Disabilities Act. ADA cabinets are also known as universal or accessible cabinets. They are designed to accommodate wheelchairs, so all homeowners, regardless of physical status, can enjoy time in the kitchen.

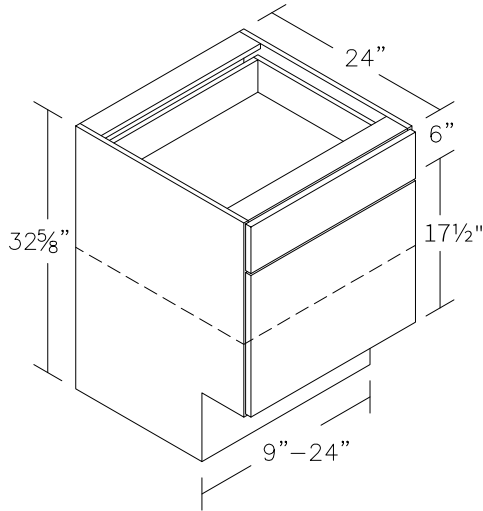
ADA Construction	ADA.2
Base - 1 Door.....	ADA.3
Base - 2 Doors.....	ADA.3
Base - 3 Doors.....	ADA.4
Sink Base - 1 Door	ADA.4
Sink Base - 2 Doors.....	ADA.5
Sink Base - 3 Doors.....	ADA.5
Sink Base - 2 Doors-Outer Cabinet	ADA.6
Sink Base Inner Cabinet.....	ADA.6
Base Drawer - 2 Vertical	ADA.7
Base Drawer - 3 Vertical	ADA.7
Base Drawer - 4 Vertical	ADA.8
Tall - 2 Doors	ADA.8
Tall - 4 Doors	ADA.9

ADA Construction



ADA

Base - 1 Door ADA

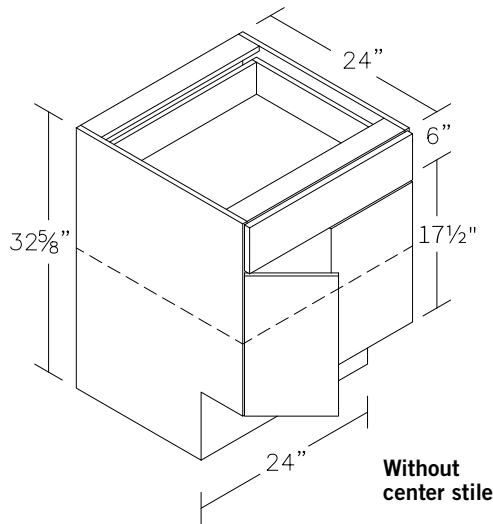


B9(L/R)ADA	379	424	454	512	549	605	701	841
B10.5(L/R)ADA	391	438	469	529	568	626	725	869
B12(L/R)ADA	405	453	486	546	587	647	749	899
B13.5(L/R)ADA	421	471	505	568	610	673	779	935
B15(L/R)ADA	439	492	526	593	638	703	812	974
B16.5(L/R)ADA	454	509	545	614	658	727	840	1009
B18(L/R)ADA	469	525	564	633	680	751	868	1042
B19.5(L/R)ADA	483	541	578	651	700	773	892	1071
B21(L/R)ADA	501	562	601	676	726	802	927	1113
B24(L/R)ADA	526	590	631	710	763	842	974	1169

PRODUCT DETAILS

- 1 door, 1 drawer
- 1 adjustable shelf
- Toekick height is 9"

Base - 2 Doors ADA

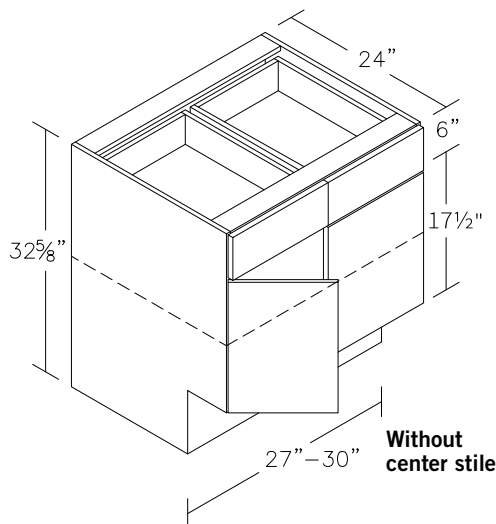


Without center stile

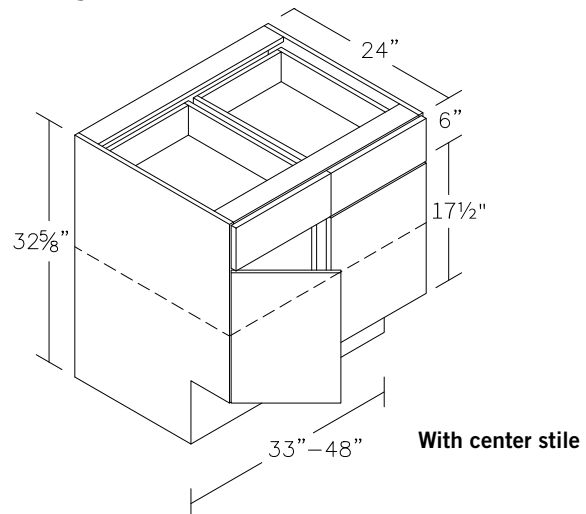
B24-2ADA	572	641	686	773	830	915	1059	1271
B27ADA	639	714	765	862	926	1021	1181	1418
B30ADA	673	754	807	909	976	1076	1245	1493
B33ADA	701	785	841	946	1017	1121	1297	1556
B36ADA	728	815	874	983	1056	1165	1347	1616
B39ADA	758	849	910	1023	1099	1214	1403	1684
B42ADA	778	870	934	1050	1128	1244	1438	1726
B45-2ADA	834	935	1000	1126	1210	1334	1542	1851
B48-2ADA	890	997	1069	1201	1291	1425	1647	1977

PRODUCT DETAILS

- B24-2ADA has 2 doors and 1 drawer; wider sizes will have 2 doors and 2 drawers
- 1 adjustable shelf
- 24", 27" and 30" have no center stile
- Toekick height is 9"



Without center stile



With center stile

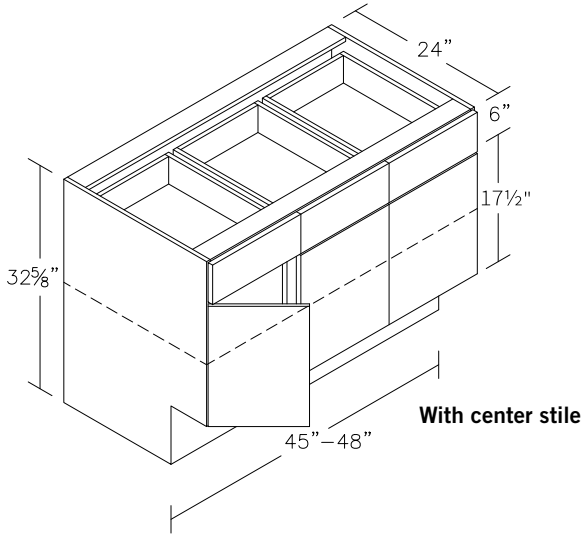
(L/R) specify L (hinge left) or R (hinge right) to cabinet code

Base - 3 Doors ADA

B45-3(L/R)ADA	942	1056	1130	1272	1367	1508	1742	2091
B48-3(L/R)ADA	968	1084	1162	1306	1404	1549	1791	2150

PRODUCT DETAILS

- 3 doors, 3 drawers
- 1 adjustable shelf
- Toekick height is 9"
- Hinge designation is for center door - indicate L (hinge left) or R (hinge right)

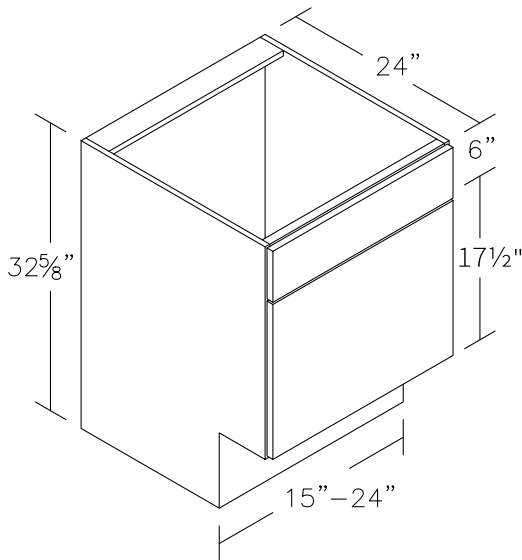


Sink Base - 1 Door ADA

SB15(L/R)ADA	286	320	343	385	414	457	528	633
SB18(L/R)ADA	303	340	363	409	439	485	561	672
SB21(L/R)ADA	350	393	421	472	509	561	648	778
SB24(L/R)ADA	424	475	509	572	615	678	784	941

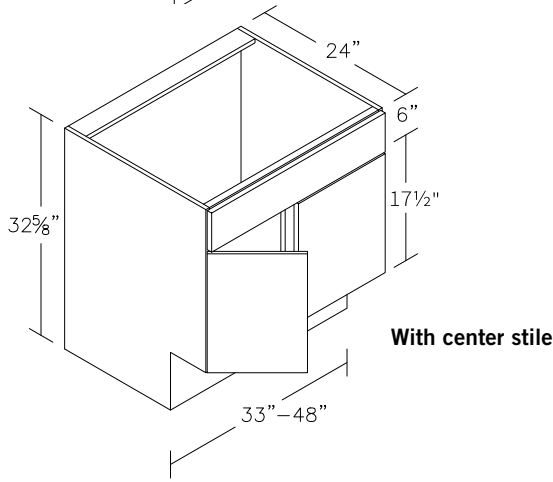
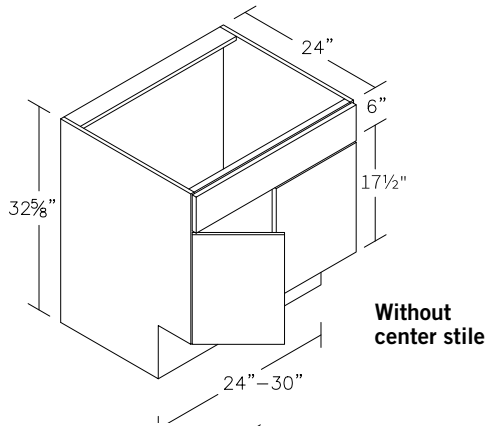
PRODUCT DETAILS

- 1 door, 1 false front
- No adjustable shelf
- Toekick height is 9"



(L/R) specify L (hinge left) or R (hinge right) to cabinet code

Sink Base - 2 Doors ADA

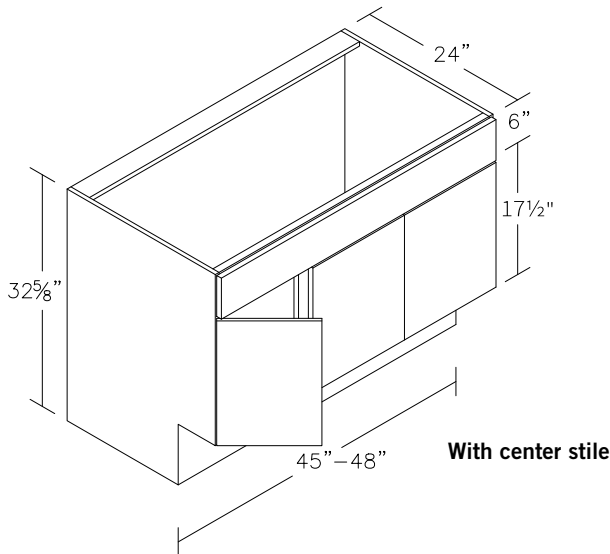


SB24-2ADA	408	457	489	550	592	652	754	905
SB27ADA	470	526	565	634	682	753	870	1045
SB30ADA	494	553	593	668	718	790	914	1097
SB33ADA	509	569	610	686	737	813	941	1129
SB36ADA	526	590	631	710	763	842	974	1169
SB39ADA	548	615	657	739	795	877	1015	1218
SB42ADA	561	627	673	756	812	896	1036	1244
SB45-2ADA	574	644	688	776	833	919	1062	1275
SB48-2ADA	590	659	707	796	855	943	1090	1308

PRODUCT DETAILS

- 2 doors, 1 false front
- No adjustable shelf
- 24", 27" and 30" widths have no center stile
- Toekick height is 9"

Sink Base - 3 Doors ADA

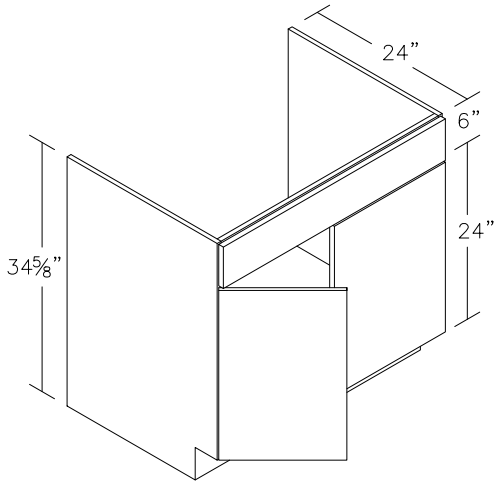


SB45-3(L/R)ADA	685	768	823	926	994	1097	1269	1523
SB48-3(L/R)ADA	704	788	844	951	1021	1127	1302	1563

PRODUCT DETAILS

- 3 doors, 1 false front
- No adjustable shelf
- Hinge designation is for center door
- Toekick height is 9"

Sink Base - 2 Doors ADA - Outer Cabinet



RSB30	494	553	593	668	718	790	914	1097
RSB33	509	569	610	686	737	813	941	1129
RSB36	526	590	631	710	763	842	974	1169

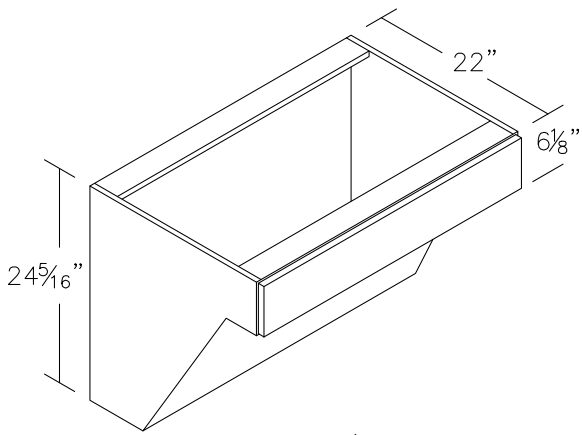
PRODUCT DETAILS

- 2 doors, 1 false front
- No adjustable shelf
- No back
- No center stile
- 4 1/2" high toe notch

DESIGN CONSIDERATIONS

- Tilt-outs not available
- Can be used with SSI units (shown below)
- No modifications

Sink Base - ADA - Inner Cabinet



SSI30	529	592	635	715	768	845	978	1174
SSI33	545	609	653	734	789	870	1007	1208
SSI36	563	631	675	760	816	901	1042	1251

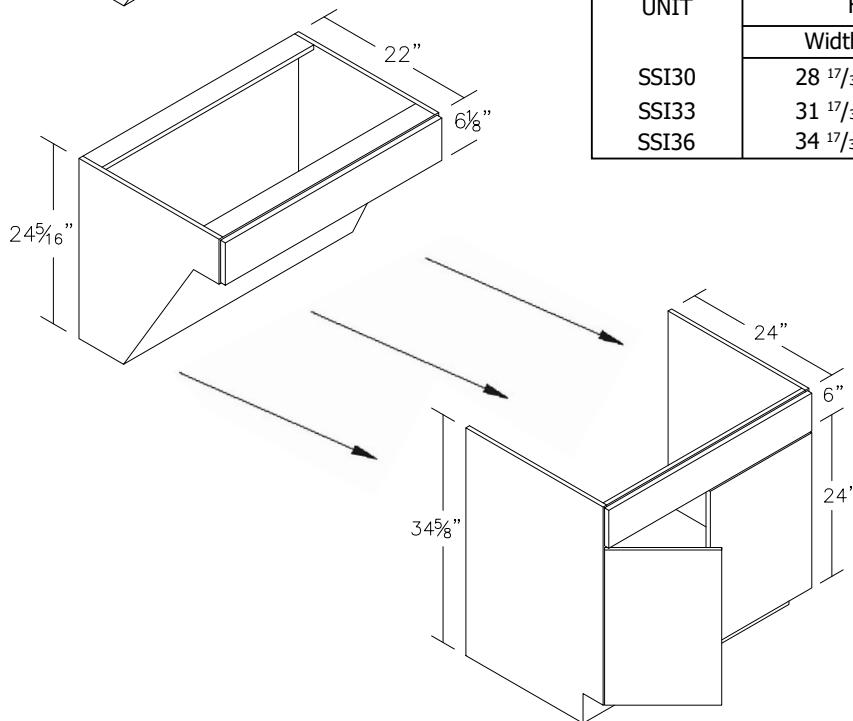
PRODUCT DETAILS

- 6 1/8" high, 5/8" thick coordinated false front, not profiled
- Removable 5/8" thick coordinated access panel, not profiled

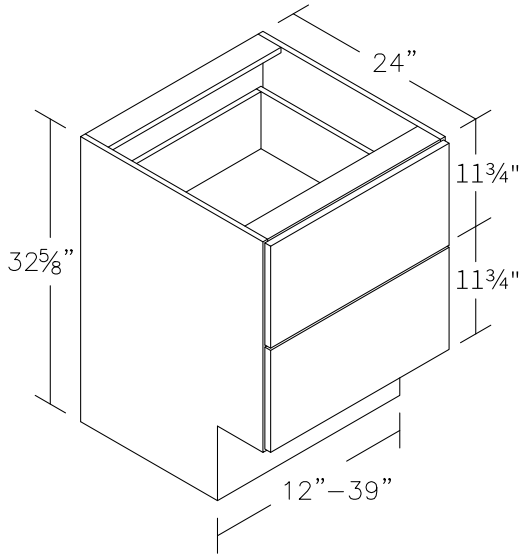
DESIGN CONSIDERATIONS

- Can be used with RSB units
- No modifications

UNIT	False Front Size		PANEL SIZE	
	Width	Height	Width	Height
SSI30	28 17/32"	5 29/32"	28 17/32"	18 27/32"
SSI33	31 17/32"	5 29/32"	31 17/32"	18 27/32"
SSI36	34 17/32"	5 29/32"	34 17/32"	18 27/32"



Base Drawer - 2 Vertical ADA

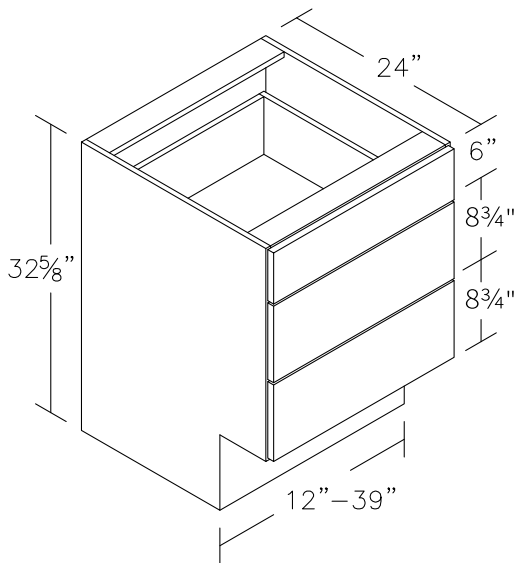


BD122VADA	535	535	535	535	535	535	535	588
BD13.52VADA	579	579	579	579	579	579	579	638
BD152VADA	625	625	625	625	625	625	625	687
BD16.52VADA	671	671	671	671	671	671	671	738
BD182VADA	716	716	716	716	716	716	716	787
BD19.52VADA	761	761	761	761	761	761	761	837
BD212VADA	807	807	807	807	807	807	807	888
BD242VADA	853	853	853	853	853	853	853	938
BD272VADA	898	898	898	898	898	898	898	987
BD302VADA	943	943	943	943	943	943	943	1038
BD332VADA	989	989	989	989	989	989	989	1088
BD362VADA	1034	1034	1034	1034	1034	1034	1034	1137
BD392VADA	1080	1080	1080	1080	1080	1080	1080	1188

PRODUCT DETAILS

- 2 drawers
- Toekick height is 9"

Base Drawer - 3 Vertical ADA

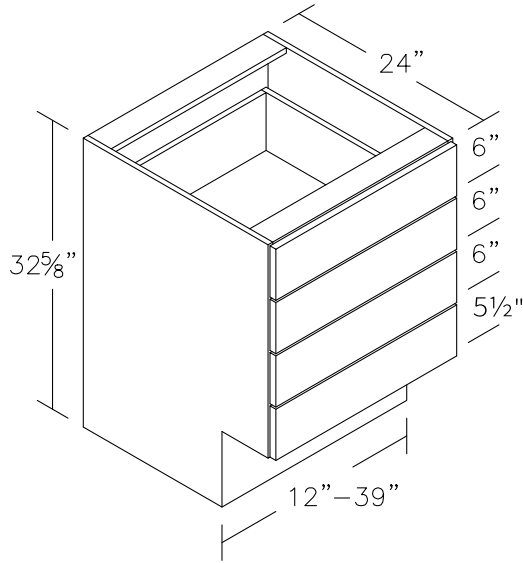


BD123VADA	589	589	589	589	589	589	589	648
BD13.53VADA	651	651	651	651	651	651	651	717
BD153VADA	651	651	651	651	651	651	651	717
BD16.53VADA	707	707	707	707	707	707	707	778
BD183VADA	707	707	707	707	707	707	707	778
BD19.53VADA	765	765	765	765	765	765	765	842
BD213VADA	765	765	765	765	765	765	765	842
BD243VADA	824	824	824	824	824	824	824	906
BD273VADA	882	882	882	882	882	882	882	970
BD303VADA	943	943	943	943	943	943	943	1038
BD333VADA	1007	1007	1007	1007	1007	1007	1007	1108
BD363VADA	1077	1077	1077	1077	1077	1077	1077	1186
BD393VADA	1132	1132	1132	1132	1132	1132	1132	1245

PRODUCT DETAILS

- 3 drawers
- Toekick height is 9"

Base Drawer - 4 Vertical ADA



BD124VADA	642	642	642	642	642	642	642	706
BD13.54VADA	697	697	697	697	697	697	697	766
BD154VADA	697	697	697	697	697	697	697	766
BD16.54VADA	748	748	748	748	748	748	748	823
BD184VADA	748	748	748	748	748	748	748	823
BD19.54VADA	803	803	803	803	803	803	803	883
BD214VADA	803	803	803	803	803	803	803	883
BD244VADA	850	850	850	850	850	850	850	935
BD274VADA	974	974	974	974	974	974	974	1072
BD304VADA	1026	1026	1026	1026	1026	1026	1026	1129
BD334VADA	1081	1081	1081	1081	1081	1081	1081	1189
BD364VADA	1135	1135	1135	1135	1135	1135	1135	1248
BD394VADA	1189	1189	1189	1189	1189	1189	1189	1307

PRODUCT DETAILS

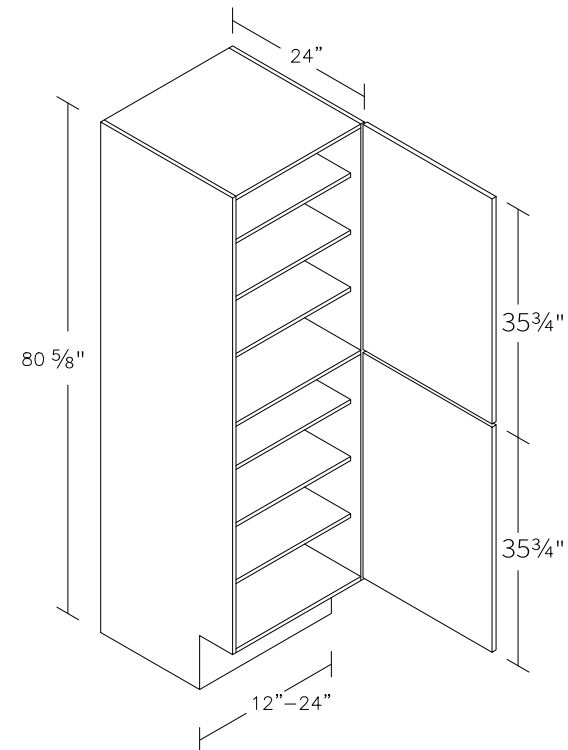
- 4 drawers
- Toekick height is 9"

Tall - 2 Doors ADA

T122481(L/R)ADA	777	869	932	1048	1126	1243	1436	1723
T152481(L/R)ADA	798	893	957	1076	1156	1276	1476	1771
T182481(L/R)ADA	818	916	981	1104	1186	1308	1513	1816
T212481(L/R)ADA	877	982	1052	1185	1272	1404	1622	1947
T242481(L/R)ADA	936	1048	1123	1264	1356	1497	1731	2077

PRODUCT DETAILS

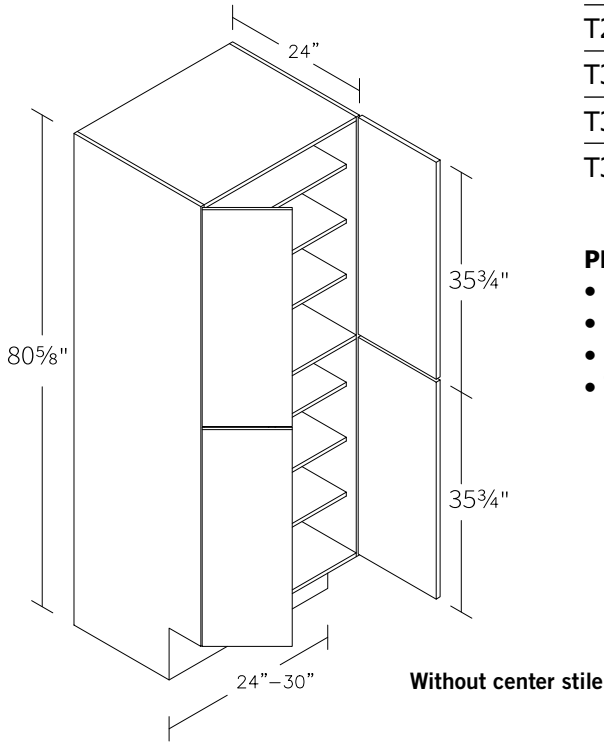
- 2 doors
- 6 adjustable shelves, 1 fixed shelf
- Toekick height is 9"



(L/R) specify L (hinge left) or R (hinge right) to cabinet code

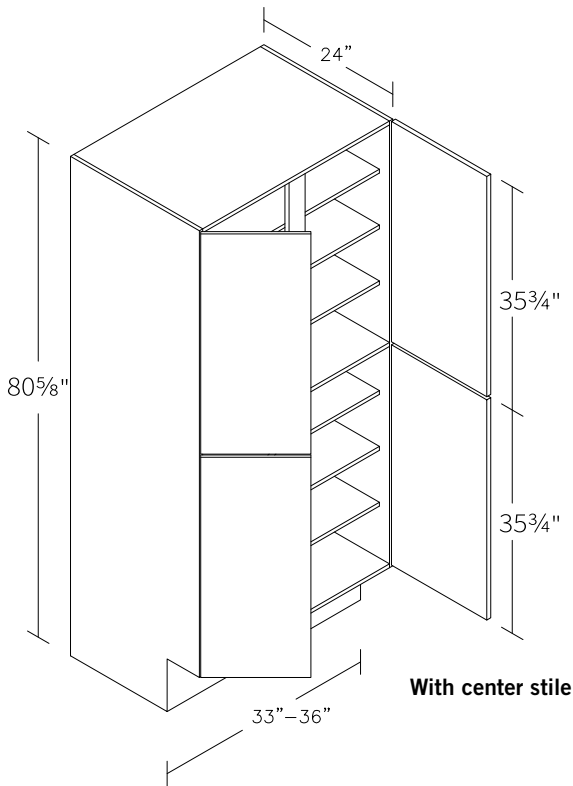
Tall - 4 Doors ADA

T242481-2ADA	1103	1236	1324	1489	1600	1765	2040	2449
T272481ADA	1148	1286	1378	1551	1666	1838	2126	2550
T302481ADA	1199	1344	1439	1619	1739	1919	2219	2663
T332481ADA	1248	1398	1498	1685	1810	1997	2309	2771
T362481ADA	1300	1456	1560	1756	1886	2080	2406	2887



PRODUCT DETAILS

- 4 doors
- 6 adjustable shelves, 2 fixed shelves
- 24", 27" and 30" widths have no center stile
- Toekick height is 9"



Accents

Angle Box Fillers.....	A.22-24
Box Fillers.....	A.14-21
Brackets	A.62-63
Corbels.....	A.64
Feet	A.61
Filler Panels	A.31-39
Fillers	A.2-13
Legs	A.60
Mouldings.....	A.42-55
Panels	A.25-30
Posts.....	A.58-59
Rosette & Onlays.....	A.57
Sheets.....	A.41
Skins	A.40
Thermofoil Accents.....	A.66-68
Toe Kicks.....	A.56
Valances.....	A.65
Wood Top/Edge Options	A.40
PureStyle Accents.....	A.69-70

Filler 3" - Profiled

3"	
	10½"
	12"
	13½"
	15"
	18"
	21"
	24"
	27"
	30"
	33"
	36"
	38"
	40½"
	42"
	45"
	48"
	51"
	55½"
	79½"
	85½"
	90"
	96"
	99"
	105"
	109½"

	Pricing	Walnut Only
F310.5	47	52
F312	47	52
F313.5	47	52
F315	47	52
F318	47	52
F321	47	52
F324	47	52
F327	47	52
F330	47	52
F333	58	64
F336	58	64
F338	62	69
F340.5	62	69
F342	64	71
F345	64	71
F348	67	73
F351	67	73
F355.5	71	78
F379.5	109	120
F385.5	109	120
F390	109	120
F396	109	120
F399	136	150
F3105	144	158
F3109.5	154	169

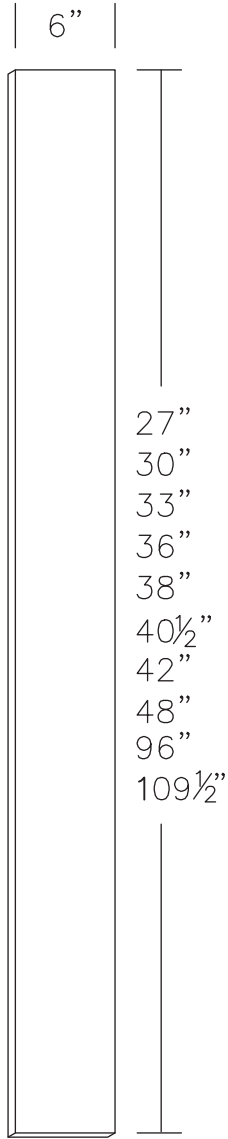
PRODUCT DETAILS

- Filler edges profiled on all 4 sides/edges to match door style
- Thickness will match door style thickness
- These fillers are meant to be flush with the door when installed
- Backer may be required
- Fillers are exact size

DESIGN CONSIDERATIONS

- Miter door styles will have Yorkshire door profile
- Order filler ⅛" smaller length to match door height
Example: order F329.875 to match the standard door height of a base cabinet
- Order F323.875 to match the standard door height of a vanity cabinet
- Melamine, Thermofoil, and PureStyle™ horizontal fillers can only be made to the length of 48"
- Echo Wood, Thermofoil, and PureStyle™ fillers can only be made to the length of 96"
- See Customization section for custom size limitations

Filler 6" - Profiled



	Pricing	Walnut Only
F627	73	80
F630	73	80
F633	85	94
F636	85	94
F638	102	112
F640.5	102	112
F642	102	112
F648	102	112
F696	163	180
F6109.5	222	244

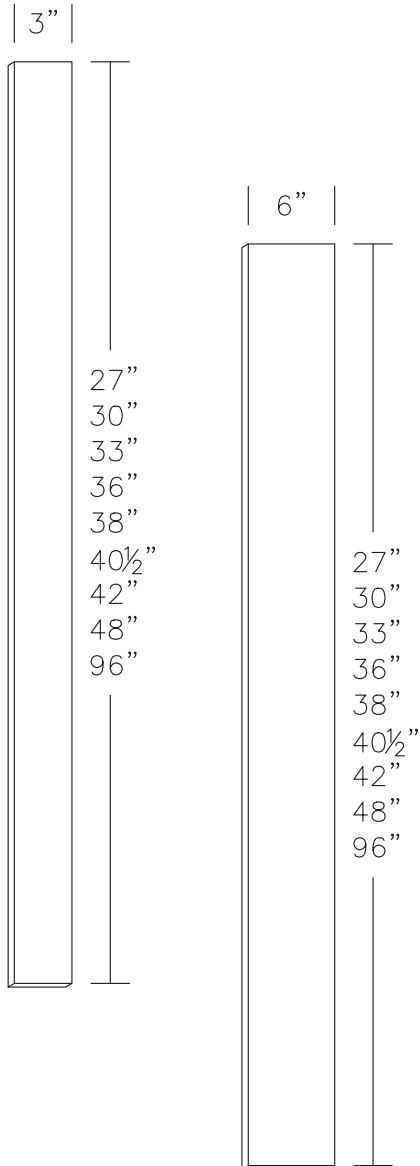
PRODUCT DETAILS

- Filler edges profiled on all 4 sides/edges to match door style
- Thickness will match door style thickness
- These fillers are meant to be flush with the door when installed
- Backer may be required
- Fillers are exact size

DESIGN CONSIDERATIONS

- Miter door styles will have Yorkshire door profile
- Order filler ⅛" smaller length to match door height
Example: order F329.875 to match the standard door height of a base cabinet
- Order F323.875 to match the standard door height of a vanity cabinet
- Melamine, Thermofoil, and PureStyle™ horizontal fillers can only be made to the length of 48"
- Echo Wood, Thermofoil, and PureStyle™ fillers can only be made to the length of 96"
- See Customization section for custom size limitations

Fillers 3" and 6" - Melamine



	Pricing
MF327	26
MF330	26
MF333	32
MF336	32
MF338	34
MF340.5	34
MF342	34
MF348	34
MF396	52
MF627	32
MF630	32
MF633	34
MF636	34
MF638	37
MF640.5	37
MF642	37
MF648	37
MF696	83

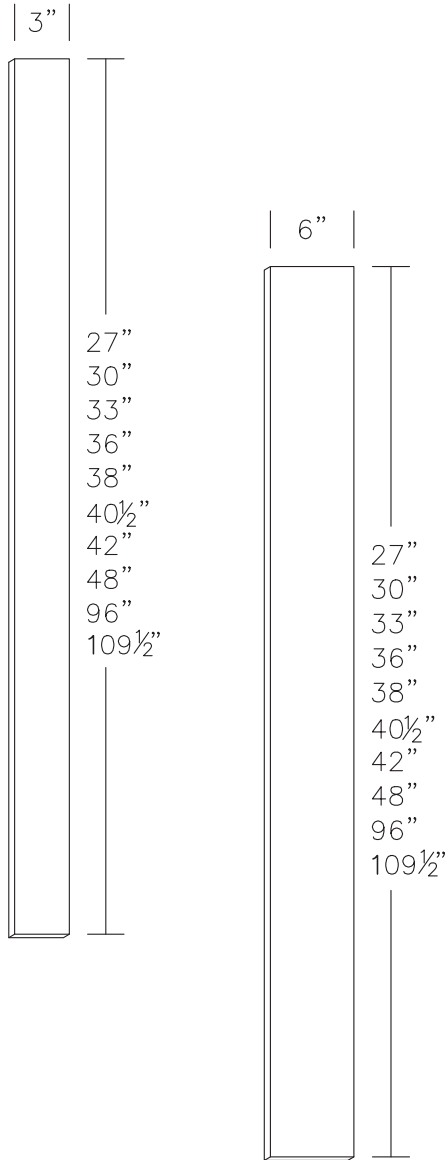
PRODUCT DETAILS

- 5/8" thick particleboard
- Finished on front side and all edges
- Filler edges are not profiled
- Melamine 2 sides

DESIGN CONSIDERATIONS

- Melamine Fillers are available in wood door styles where matching Melamine has been selected
- Can be used as backer for overlay filler
- Add "W" to code for White i.e. MFW627, or "N" for Natural
- Melamine and PureStyle™ horizontal fillers can only be made to the length of 48"
- Not available in Acrylic
- See Customization section for custom size limitations

Fillers 3" and 6" - Wood Slab



	Pricing	Walnut Only
WSF327	46	50
WSF330	46	50
WSF333	52	57
WSF336	52	57
WSF338	58	64
WSF340.5	58	64
WSF342	58	64
WSF348	58	64
WSF396	104	114
WSF3109.5	154	169
WSF627	71	78
WSF630	71	78
WSF633	85	94
WSF636	85	94
WSF638	98	108
WSF640.5	98	108
WSF642	98	108
WSF648	98	108
WSF696	156	172
WSF6109.5	222	244

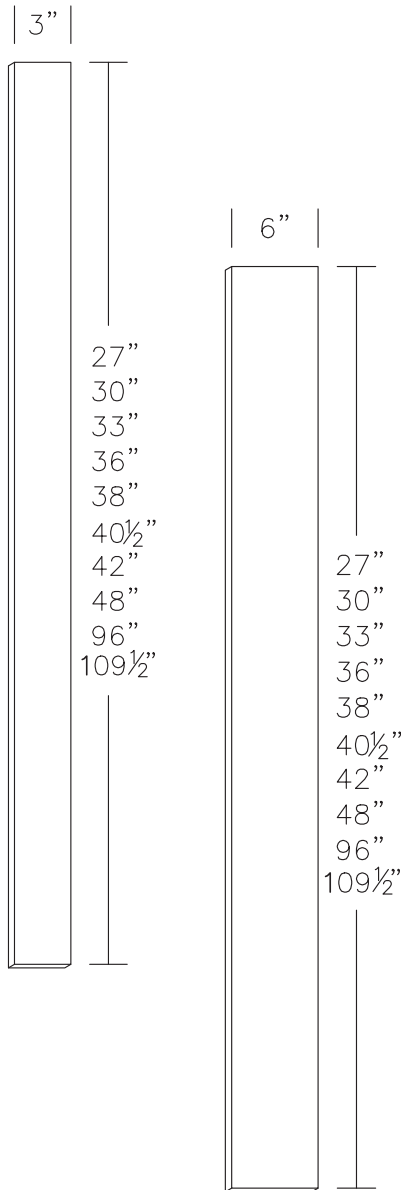
PRODUCT DETAILS

- 3/4" thick wood
- Finished on front side and all edges
- Filler edges are not profiled

DESIGN CONSIDERATIONS

- Not available in Thermofoil, Melamine, PureStyle™, and Acrylic
- See Customization section for custom size limitations

Fillers 3" and 6" - Wood Veneer



	Pricing	Walnut Only
WSFV327	46	50
WSFV330	46	50
WSFV333	52	57
WSFV336	52	57
WSFV338	58	64
WSFV340.5	58	64
WSFV342	58	64
WSFV348	58	64
WSFV396	104	114
WSFV3109.5	154	169
WSFV627	71	78
WSFV630	71	78
WSFV633	85	94
WSFV636	85	94
WSFV638	98	108
WSFV640.5	98	108
WSFV642	98	108
WSFV648	98	108
WSFV696	156	172
WSFV6109.5	222	244

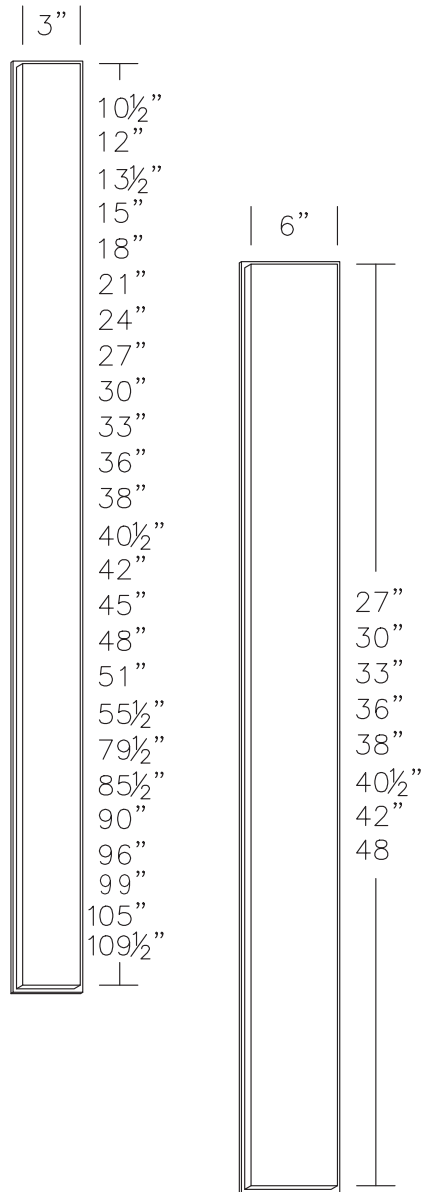
PRODUCT DETAILS

- 5/8" thick Veneer
- Finished on front side and all edges
- Filler edges are not profiled
- Backer may be required

DESIGN CONSIDERATIONS

- Not available in Thermofoil, Melamine, PureStyle™, and Acrylic
- Echo Wood Horizontal is available to a maximum of 96"
- See Customization section for custom size limitations

Fillers 3" and 6" - Combined Overlay



	Pricing	Walnut Only
COF310.5	92	101
COF312	92	101
COF313.5	92	101
COF315	92	101
COF318	92	101
COF321	92	101
COF324	92	101
COF327	92	101
COF330	92	101
COF333	109	120
COF336	109	120
COF338	119	132
COF340.5	119	132
COF342	121	134
COF345	121	134
COF348	121	136
COF351	121	136
COF355.5	132	147
COF379.5	144	156
COF385.5	144	156
COF390	144	156
COF396	144	156
COF399	152	169
COF3105	168	184
COF3109.5	184	199
COF627	143	157
COF630	143	157
COF633	169	187
COF636	169	187
COF638	199	219
COF640.5	199	219
COF642	199	219
COF648	199	219

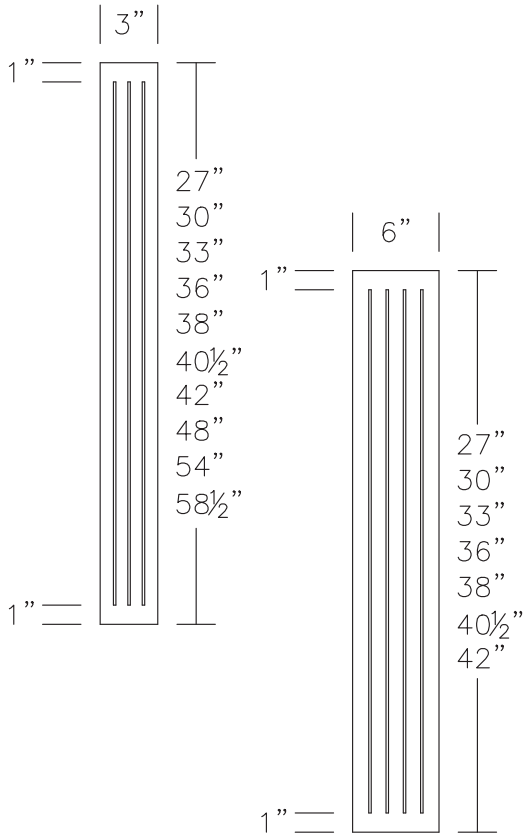
PRODUCT DETAILS

- Top filler edges profiled on all 4 sides/ edges to match door style
- Top overlay filler thickness will match door style thickness
- These fillers are meant to be flush with the door when installed

DESIGN CONSIDERATIONS

- Miter door styles will have Yorkshire door profile
- Top overlay fillers are exact size of the doors
- Comes with 5/8" backer filler that is 1/8" wider and 1/16" longer then the top overlay filler
- Top and bottom filler will come loose and will have to assembled
- Melamine, Thermofoil, and PureStyle™ horizontal fillers available up to 48" in length
- Echo Wood, Thermofoil, and PureStyle™ fillers available up to 96" in length
- See Customization section for custom size limitations

Fluted Fillers 3" and 6" - Wall

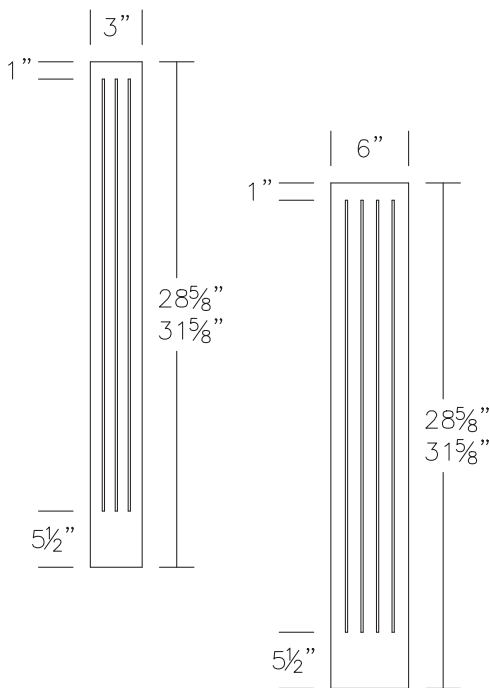


	Pricing	Walnut Only
WFF327	114	126
WFF330	114	126
WFF333	121	133
WFF336	121	133
WFF338	126	138
WFF340.5	126	138
WFF342	126	138
WFF348	131	145
WFF354	136	150
WFF358.5	144	158
WFF627	147	161
WFF630	147	161
WFF633	158	174
WFF636	158	174
WFF638	166	183
WFF640.5	166	183
WFF642	166	183

PRODUCT DETAILS

- 3/4" thick solid wood
- Finished on front side and all edges
- Filler edges profiled to match door style
- Not available in Veneer, Melamine, PureStyle™, and Acrylic

Fluted Fillers 3" and 6" - Vanity

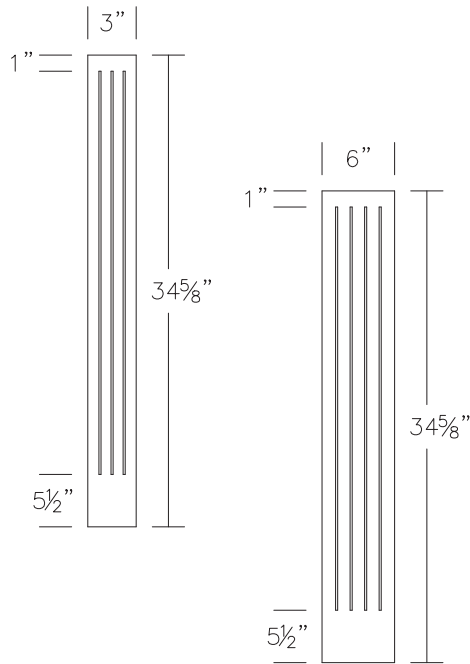


	Pricing	Walnut Only
VFF329	121	133
VFF332	121	133
VFF629	158	174
VFF632	158	174

PRODUCT DETAILS

- 3/4" thick solid wood
- Finished on front side and all edges
- Filler edges profiled to match door style
- Not available in Veneer, Melamine, PureStyle™, and Acrylic

Fluted Fillers 3" and 6" - Base

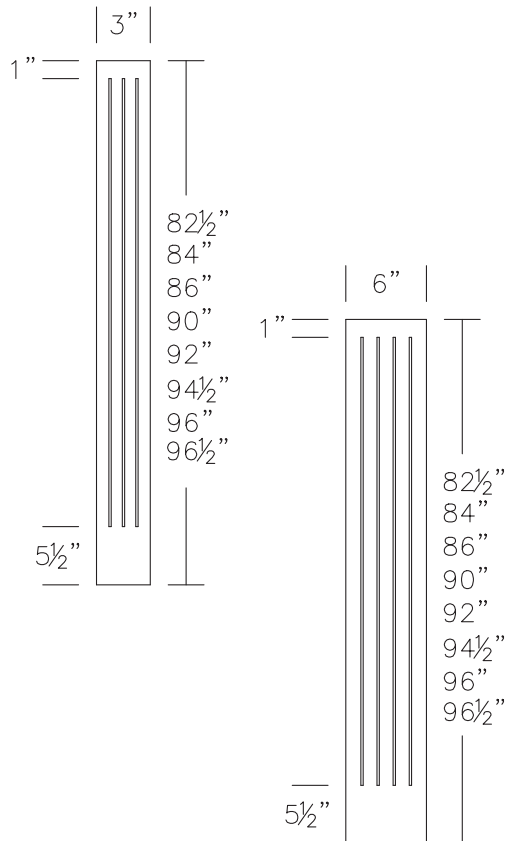


	Pricing	Walnut Only
BFF335	121	133
BFF635	158	174

PRODUCT DETAILS

- 3/4" thick solid wood
- Finished on front side and all edges
- Filler edges profiled to match door style
- Not available in Veneer, Melamine, PureStyle™, and Acrylic

Fluted Fillers 3" and 6" - Tall

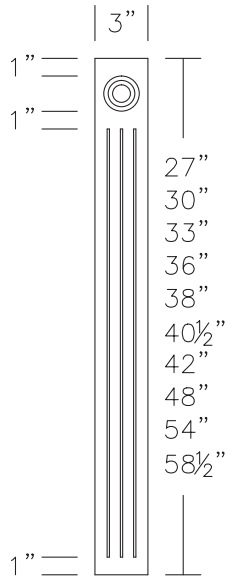


	Pricing	Walnut Only
TFF382.5	171	187
TFF384	171	187
TFF386	175	192
TFF390	175	192
TFF392	181	199
TFF394.5	181	199
TFF396	181	199
TFF396.5	181	199
TFF682.5	251	276
TFF684	251	276
TFF686	262	288
TFF690	262	288
TFF692	270	297
TFF694.5	270	297
TFF696	270	297
TFF696.5	270	297

PRODUCT DETAILS

- 3/4" thick solid wood
- Finished on front side and all edges
- Filler edges profiled to match door style
- Not available in Veneer, Melamine, PureStyle™, and Acrylic

Fluted Rosette Filler - Wall

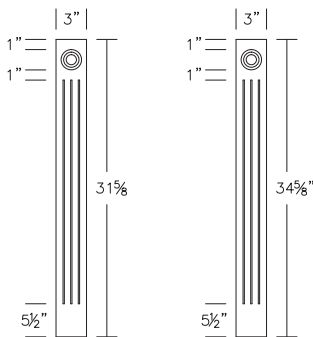


	Pricing
WFRF327	136
WFRF330	136
WFRF333	142
WFRF336	142
WFRF338	154
WFRF340.5	154
WFRF342	154
WFRF348	160
WFRF354	166
WFRF358.5	173

PRODUCT DETAILS

- 3/4" thick solid wood
- Finished on front side and all edges
- Filler edges profiled to match door style
- Available in Maple and Cherry

Fluted Rosette Filler - Vanity and Base

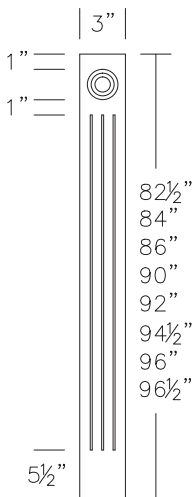


	Pricing
VFRF332	142
BFRF335	142

PRODUCT DETAILS

- 3/4" thick solid wood
- Finished on front side and all edges
- Filler edges profiled to match door style
- VFRF = vanity, BFRF = base
- Available in Maple and Cherry

Fluted Rosette Filler - Tall

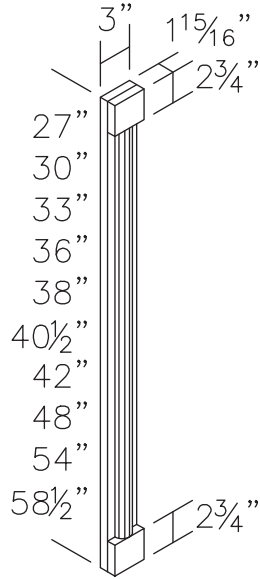


	Pricing
TFRF382.5	207
TFRF384	207
TFRF386	213
TFRF390	213
TFRF392	216
TFRF394.5	216
TFRF396	216
TFRF396.5	216

PRODUCT DETAILS

- 3/4" thick solid wood
- Finished on front side and all edges
- Filler edges profiled to match door style
- Available in Maple and Cherry

Corinthian Filler - Wall

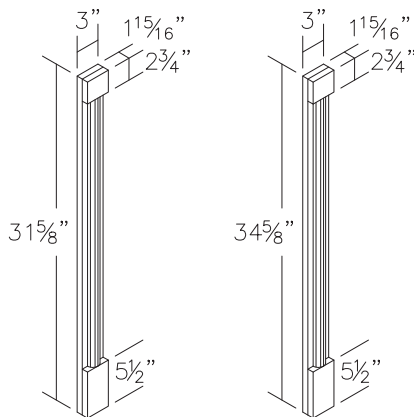


	Pricing
WCF327	571
WCF330	571
WCF333	638
WCF336	638
WCF338	687
WCF340.5	687
WCF3442	687
WCF348	751
WCF354	820
WCF358.5	893

PRODUCT DETAILS

- 3/4" thick solid wood filler built up to 1¹⁵/₁₆"
- Finished on front side and all edges
- Available in Maple and Oak

Corinthian Filler - Vanity and Base

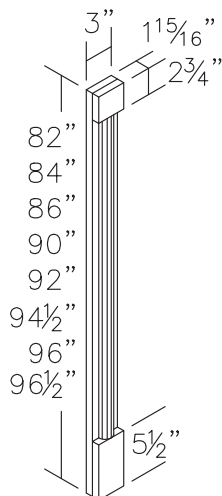


	Pricing
VCF332	565
BCF335	597

PRODUCT DETAILS

- 3/4" thick solid wood filler built up to 1¹⁵/₁₆"
- Finished on front side and all edges
- VCF = vanity, BCF = base
- Available in Maple and Oak

Corinthian Filler - Tall

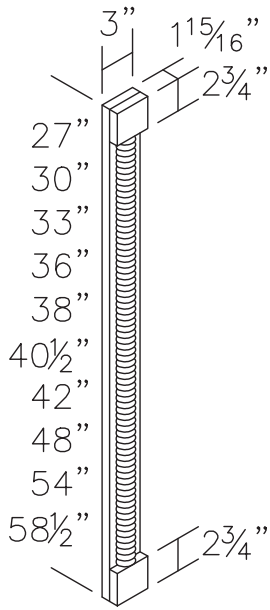


	Pricing
TCF382	1225
TCF384	1225
TCF386	1290
TCF390	1290
TCF392	1336
TCF394.5	1336
TCF396	1336
TCF396.5	1336

PRODUCT DETAILS

- 3/4" thick solid wood filler built up to 1¹⁵/₁₆"
- Finished on front side and all edges
- Available in Maple and Oak

Rope Filler - Wall

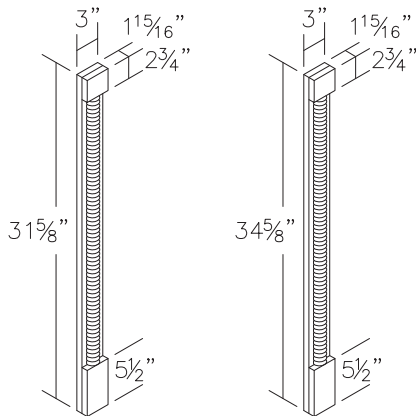


	Pricing
WRF327	571
WRF330	571
WRF333	638
WRF336	638
WRF338	687
WRF340.5	687
WRF342	687
WRF348	751
WRF354	820
WRF358.5	893

PRODUCT DETAILS

- 3/4" thick solid wood filler built up to 1¹⁵/₁₆"
- Finished on front side and all edges
- Available in Oak and Cherry

Rope Filler - Vanity and Base

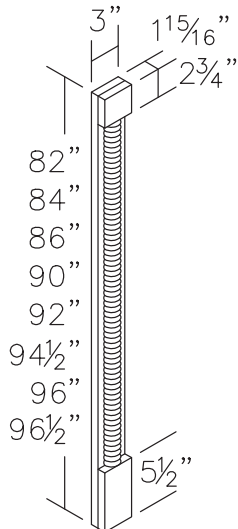


	Pricing
VRF332	565
BFR335	597

PRODUCT DETAILS

- 3/4" thick solid wood filler built up to 1¹⁵/₁₆"
- Finished on front side and all edges
- VFR = vanity, BFR = base
- Available in Oak and Cherry

Rope Filler - Tall

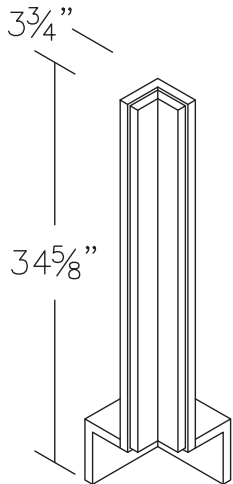


	Pricing
TRF382	1225
TRF384	1225
TRF386	1290
TRF390	1290
TRF392	1336
TRF394.5	1336
TRF396	1336
TRF396.5	1336

PRODUCT DETAILS

- 3/4" thick solid wood filler built up to 1¹⁵/₁₆"
- Finished on front side and all edges
- Available in Oak and Cherry

Corner Base Filler - Profiled



CFB35

Pricing	Walnut Only
225	247

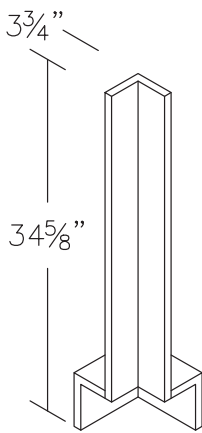
PRODUCT DETAILS

- Finished on front side and all edges
- Wood is profiled on 2 sides
- Backer with overlay filler attached
- Filler front reveal 2 1/4" x 2 1/4"
- Overlay filler height 30"

DESIGN CONSIDERATIONS

- Not available in Thermofoil door styles
- Toekick not matching (finish)

Corner Base Filler - Wood Slab and Melamine



WSCFB35

MCFB35

Pricing	Walnut Only
141	156
70	77

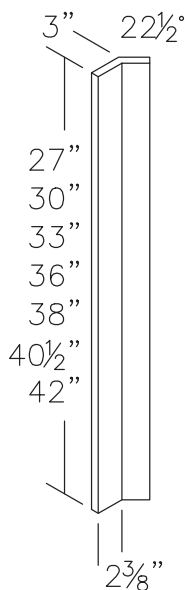
PRODUCT DETAILS

- Finished on front side and all edges
- Edges are not profiled
- Filler front reveal 3" x 3"

DESIGN CONSIDERATIONS

- WSCF not available in Melamine and Thermofoil styles
- MCFB only available in colors that have a matching Melamine

Angled Filler - Wood Slab



WSAF27

WSAF30

WSAF33

WSAF36

WSAF38

WSAF40.5

WSAF42

Pricing	Walnut Only
129	142
129	142
142	157
142	157
156	172
156	172
156	172

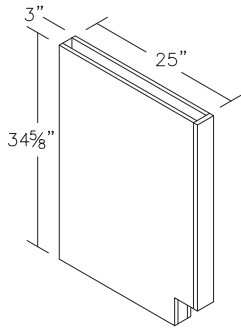
PRODUCT DETAILS

- 3/4" thick solid wood
- Finished on front, top, bottom, and edge side only
- Edges are not beveled or profiled

DESIGN CONSIDERATIONS

- Not available in Thermofoil, Melamine, PureStyle™, or Acrylic
- See Customization section for custom size limitations

Slab Base Box



BB335

Pricing	Walnut Only
475	523

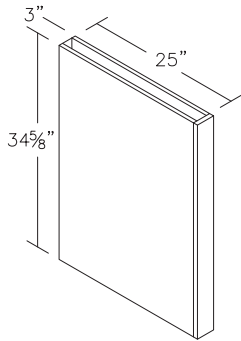
PRODUCT DETAILS

- Finished on front and both sides
- Box has Melamine or solid wood filler attached to it

DESIGN CONSIDERATIONS

- Depth measurement does not include the filler
- See Customization section for custom size limitations

Slab Base Box - with Flush Toekick



BBFTK335

Pricing	Walnut Only
475	523

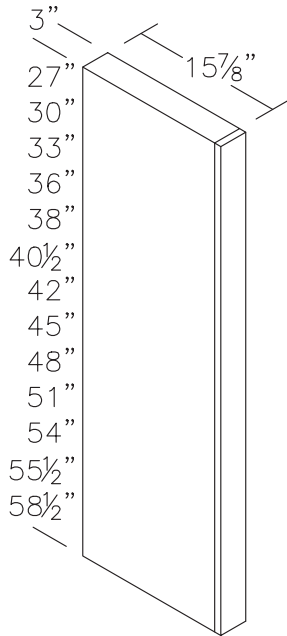
PRODUCT DETAILS

- Finished on front and both sides
- Box has Melamine or solid wood filler attached to it

DESIGN CONSIDERATIONS

- Depth measurement does not include the filler
- Used as a square filler (no profile)
- See Customization section for custom size limitations

Profiled Column - Wall



WPCL327

Pricing	Walnut Only
291	320

WPCL330

291	320
-----	-----

WPCL333

368	405
-----	-----

WPCL336

368	405
-----	-----

WPCL338

398	438
-----	-----

WPCL340.5

398	438
-----	-----

WPCL342

398	438
-----	-----

WPCL345

434	478
-----	-----

WPCL348

434	478
-----	-----

WPCL351

472	519
-----	-----

WPCL354

472	519
-----	-----

WPCL355.5

514	566
-----	-----

WPCL358.5

514	566
-----	-----

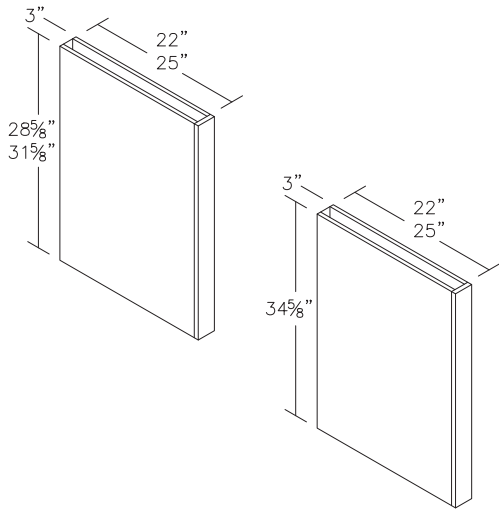
PRODUCT DETAILS

- Veneer or Melamine panel with wood, Thermofoil, Melamine, PureStyle™, or Acrylic front
- Finished on front, top, bottom and two sides

DESIGN CONSIDERATIONS

- Depth measurement does not include the filler
- See Customization section for custom size limitations

Profiled Column - Vanity and Base



	Pricing	Walnut Only
VPCL329	495	545
VPCL332	495	545
BPCL335	495	545

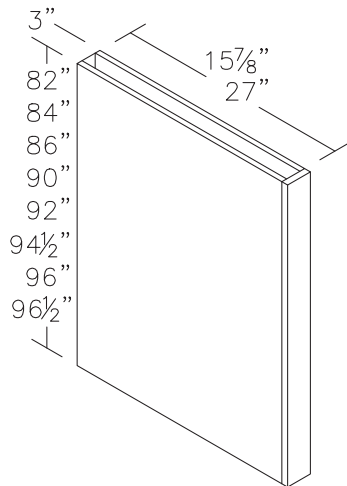
PRODUCT DETAILS

- Veneer or Melamine panel with wood, Thermofoil, Melamine, PureStyle™, or Acrylic front
- Finished on front and two sides
- VPCL = vanity, BPCL = base

DESIGN CONSIDERATIONS

- Depth measurement does not include the filler
- See Customization section for custom size limitations

Profiled Column - Tall



	Pricing	Walnut Only
TPCL1582-3	734	808
TPCL1584-3	734	808
TPCL1586-3	768	844
TPCL1590-3	768	844
TPCL1592-3	768	844
TPCL1594.5-3	768	844
TPCL1596-3	768	844
TPCL1596.5-3	768	844
TPCL2782-3	1110	1221
TPCL2784-3	1110	1221
TPCL2786-3	1154	1270
TPCL2790-3	1154	1270
TPCL2792-3	1154	1270
TPCL2794.5-3	1154	1270
TPCL2796-3	1154	1270
TPCL2796.5-3	1154	1270

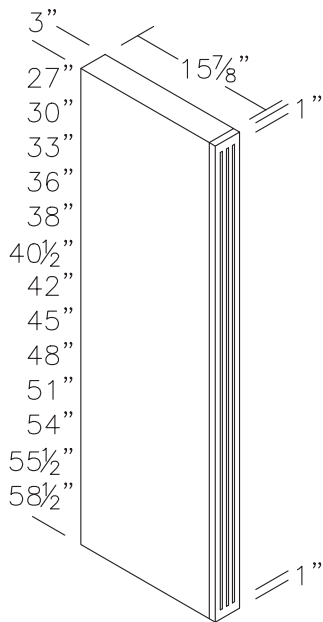
PRODUCT DETAILS

- Veneer or Melamine panel with wood, Thermofoil, Melamine, or Acrylic front
- Finished on front and two sides

DESIGN CONSIDERATIONS

- Depth measurement does not include the filler
- Not available in Echo Wood Horizontal, Thermofoil Horizontal, Melamine Horizontal, or PureStyle™ Horizontal
- Echo Wood, Thermofoil, or PureStyle™ fillers can only be made to the length of 96"
- See Customization section for custom size limitations

Fluted Column - Wall



	Pricing	Walnut Only
WFCL327	358	393
WFCL330	358	393
WFCL333	430	472
WFCL336	430	472
WFCL338	463	510
WFCL340.5	463	510
WFCL342	463	510
WFCL345	505	556
WFCL348	505	556
WFCL351	549	604
WFCL354	549	604
WFCL355.5	598	658
WFCL358.5	598	658

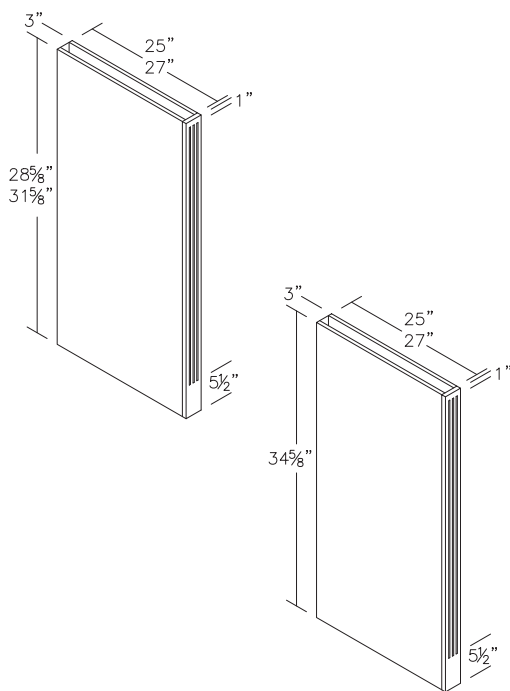
PRODUCT DETAILS

- Veneer or Melamine panel with wood front
- Finished on top, bottom, and two sides

DESIGN CONSIDERATIONS

- Depth measurement does not include the filler
- Not available in Melamine, PureStyle™, or Acrylic

Fluted Column - Vanity and Base



	Pricing	Walnut Only
VFCL329	558	615
VFCL332	558	615
BFCL335	558	615

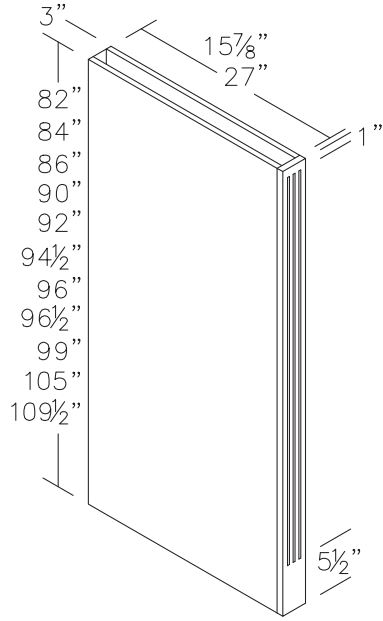
PRODUCT DETAILS

- Veneer or Melamine panel with wood front
- Finished on front and two sides
- VFCL = vanity; BFCL = base

DESIGN CONSIDERATIONS

- Depth measurement does not include the filler
- Not available Melamine, PureStyle™, or Acrylic

Fluted Column - Tall



PRODUCT DETAILS

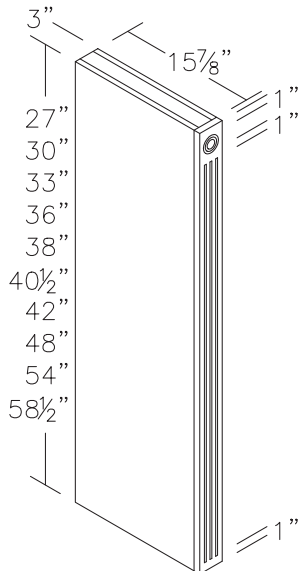
- Veneer or Melamine panel with wood front
- Finished on front and two sides

DESIGN CONSIDERATIONS

- Depth measurement does not include the filler
- Not available in Melamine, PureStyle™, or Acrylic

	Pricing	Walnut Only
TFCL1582-3	799	879
TFCL1584-3	799	879
TFCL1586-3	836	919
TFCL1590-3	836	919
TFCL1592-3	836	919
TFCL1594.5-3	836	919
TFCL1596-3	836	919
TFCL1596.5-3	836	919
TFCL1599-3	998	1098
TFCL15105-3	1044	1148
TFCL15109.5-3	1044	1148
TFCL2782-3	1172	1290
TFCL2784-3	1172	1290
TFCL2786-3	1221	1343
TFCL2790-3	1221	1343
TFCL2792-3	1221	1343
TFCL2794.5-3	1221	1343
TFCL2796-3	1221	1343
TFCL2796.5-3	1221	1343
TFCL2799-3	1465	1612
TFCL27105-3	1525	1678
TFCL27109.5-3	1525	1678

Fluted Rosette Column - Wall



	Pricing
WRFL327	375
WRFL330	375
WRFL333	450
WRFL336	450
WRFL338	485
WRFL340.5	485
WRFL342	485
WRFL348	530
WRFL354	576
WRFL358.5	628

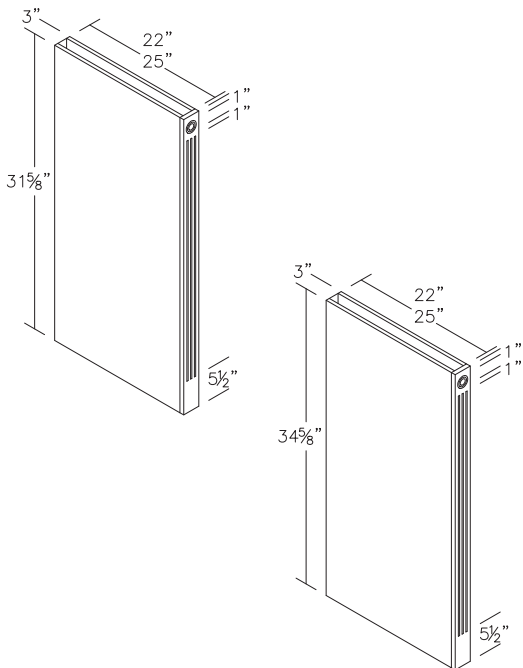
PRODUCT DETAILS

- Veneer or Melamine panel with wood front
- Finished on front, bottom, and two sides

DESIGN CONSIDERATIONS

- Depth measurement does not include the filler
- Available in Maple and Cherry

Fluted Rosette Column - Vanity and Base



	Pricing
VFRCL332	587
BFRCL335	587

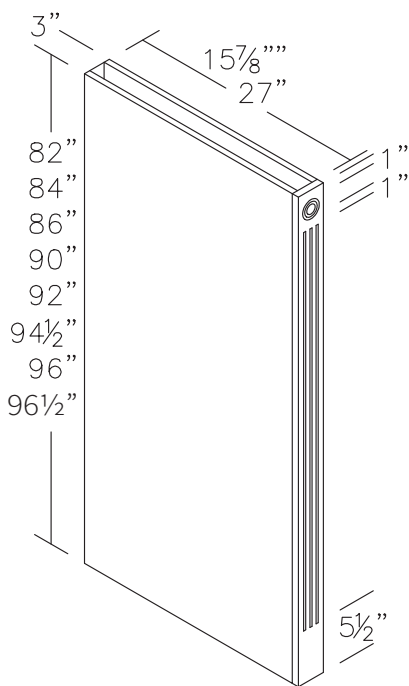
PRODUCT DETAILS

- Veneer or Melamine panel with wood front
- Finished on front and two sides
- VFRCL = vanity; BFRCL = base

DESIGN CONSIDERATIONS

- Depth measurement does not include the filler
- Available in Maple and Cherry

Fluted Rosette Column - Tall



	Pricing
TFRCL1582-3	839
TFRCL1584-3	839
TFRCL1586-3	875
TFRCL1590-3	875
TFRCL1592-3	875
TFRCL1594.5-3	875
TFRCL1596-3	875
TFRCL1596.5-3	875
TFRCL2782-3	1231
TFRCL2784-3	1231
TFRCL2786-3	1282
TFRCL2790-3	1282
TFRCL2792-3	1282
TFRCL2794.5-3	1282
TFRCL2796-3	1282
TFRCL2796.5-3	1282

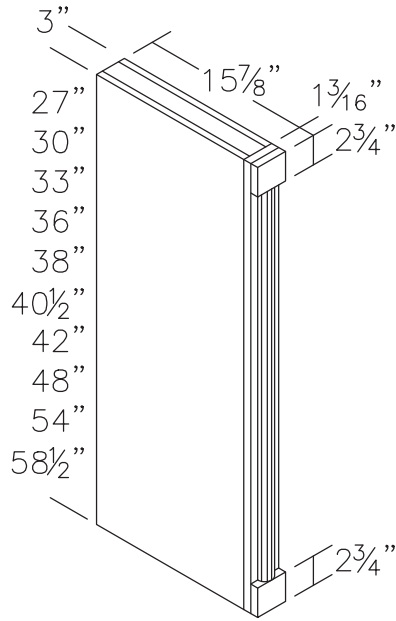
PRODUCT DETAILS

- Veneer or Melamine panel with wood front
- Finished on front and two sides

DESIGN CONSIDERATIONS

- Depth measurement does not include the filler
- Available in Maple and Cherry

Corinthian Column - Wall



Pricing

WCCL327	813
WCCL330	813
WCCL333	946
WCCL336	946
WCCL338	1025
WCCL340.5	1025
WCCL342	1025
WCCL348	1120
WCCL354	1219
WCCL358.5	1326

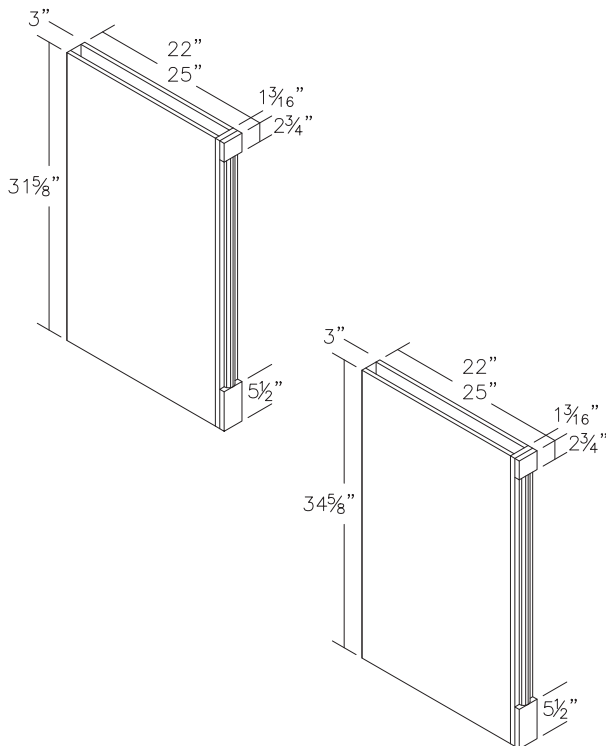
PRODUCT DETAILS

- Veneer panel with wood front
- Finished on front, top, and two sides

DESIGN CONSIDERATIONS

- Depth measurement does not include the filler
- Available in Maple and Cherry

Corinthian Column - Vanity and Base



Pricing

VCCL332	1005
BCCL335	1036

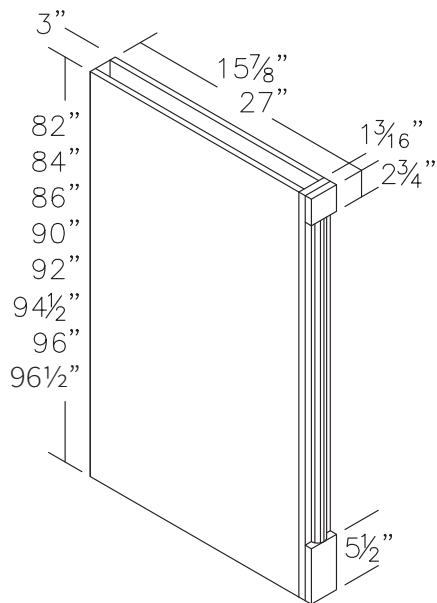
PRODUCT DETAILS

- Veneer panel with wood front
- Finished on front and two sides
- VCCL = vanity; BCCL = base

DESIGN CONSIDERATIONS

- Depth measurement does not include the filler
- Available in Maple and Cherry

Corinthian Column - Tall



	Pricing
TCCL1582-3	1851
TCCL1584-3	1851
TCCL1586-3	1946
TCCL1590-3	1946
TCCL1592-3	1946
TCCL1594.5-3	1946
TCCL1596-3	1946
TCCL1596.5-3	1946
TCCL2782-3	2120
TCCL2784-3	2120
TCCL2786-3	2228
TCCL2790-3	2228
TCCL2792-3	2228
TCCL2794.5-3	2228
TCCL2796-3	2228
TCCL2796.5-3	2228

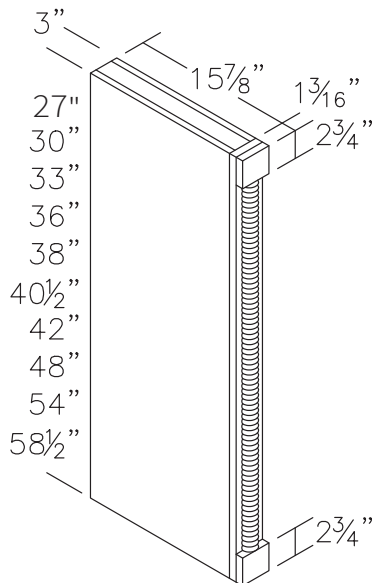
PRODUCT DETAILS

- Veneer panel with wood front
- Finished on front and two sides

DESIGN CONSIDERATIONS

- Depth measurement does not include the filler
- Available in Maple and Cherry

Rope Column - Wall



	Pricing
WRCL327	813
WRCL330	813
WRCL333	946
WRCL336	946
WRCL338	1025
WRCL340.5	1025
WRCL342	1025
WRCL348	1120
WRCL354	1219
WRCL358.5	1326

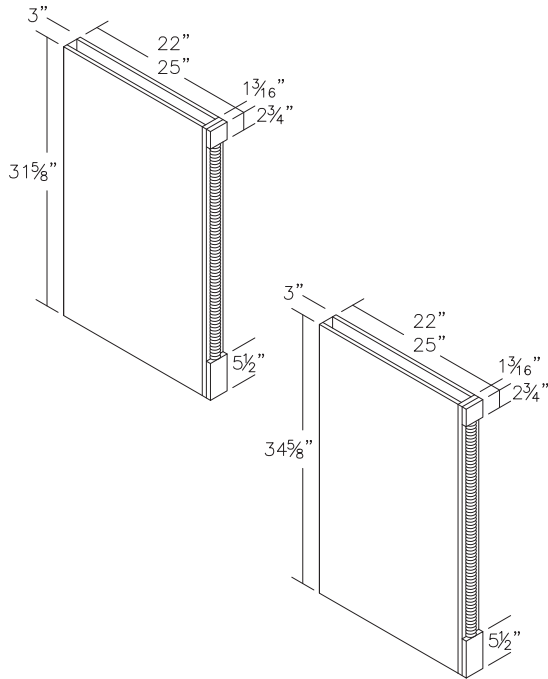
PRODUCT DETAILS

- Veneer panel with wood front
- Finished on front, top, and two sides

DESIGN CONSIDERATIONS

- Depth measurement does not include the filler
- Available in Maple and Cherry

Rope Column - Vanity and Base



Pricing

VRCL332	1005
BRCL335	1036

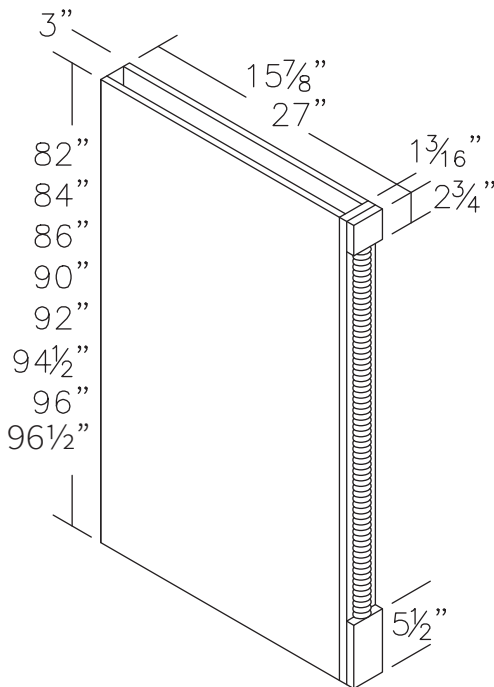
PRODUCT DETAILS

- Veneer panel with wood front
- Finished on front and two sides
- VRCL = vanity; BRCL = base

DESIGN CONSIDERATIONS

- Depth measurement does not include the filler
- Available in Maple and Cherry

Rope Column - Tall



Pricing

TRCL1582-3	1851
TRCL1584-3	1851
TRCL1586-3	1946
TRCL1590-3	1946
TRCL1592-3	1946
TRCL1594.5-3	1946
TRCL1596-3	1946
TRCL1596.5-3	1946
TRCL2782-3	2120
TRCL2784-3	2120
TRCL2786-3	2228
TRCL2790-3	2228
TRCL2792-3	2228
TRCL2794.5-3	2228
TRCL2796-3	2228
TRCL2796.5-3	2228

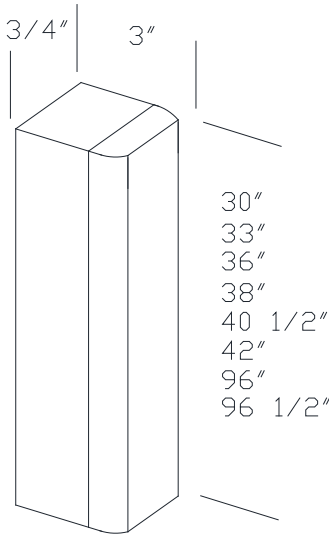
PRODUCT DETAILS

- Veneer panel with wood front
- Finished on front and two sides

DESIGN CONSIDERATIONS

- Depth measurement does not include the filler
- Available in Maple and Cherry

Single Bead - Pilaster



	Pricing
SBP30	62
SBP33	63
SBP36	63
SBP38	63
SBP40.5	63
SBP42	63
SBP96	196
SBP96.5	196

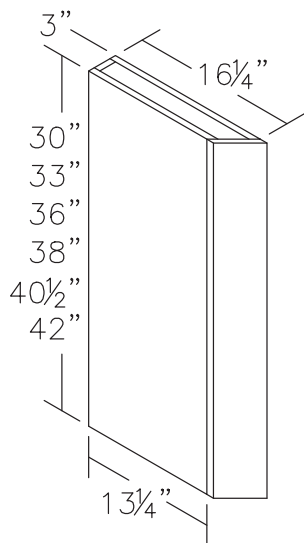
PRODUCT DETAILS

- 3/4" solid wood
- Finished on front and all edges; back and ends do not come finished

DESIGN CONSIDERATIONS

- Depth measurement does not include the filler
- Only available in Maple and Cherry.

Slab Angle Column 45° - Wall



	Pricing	Walnut Only
WSACL(L/R)330	314	345
WSACL(L/R)333	378	415
WSACL(L/R)336	378	415
WSACL(L/R)338	408	448
WSACL(L/R)340.5	408	448
WSACL(L/R)342	408	448

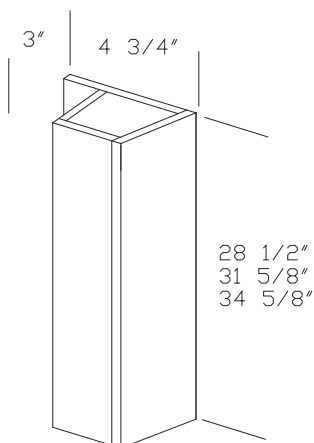
PRODUCT DETAILS

- Veneer or Melamine panel with wood, Thermofoil, Melamine, PureStyle™, or Acrylic front
- Finished on front, top, bottom, and two sides
- Unit can be flipped to accommodate left or right run of cabinets

DESIGN CONSIDERATIONS

- Depth measurement does not include the filler
- See Customization section for custom size limitations

Slab Angle Column 45° - Vanity and Base



	Pricing	Walnut Only
VSACL(L/R)329	378	416
VSACL(L/R)332	378	416
BSACL(L/R)335	390	429

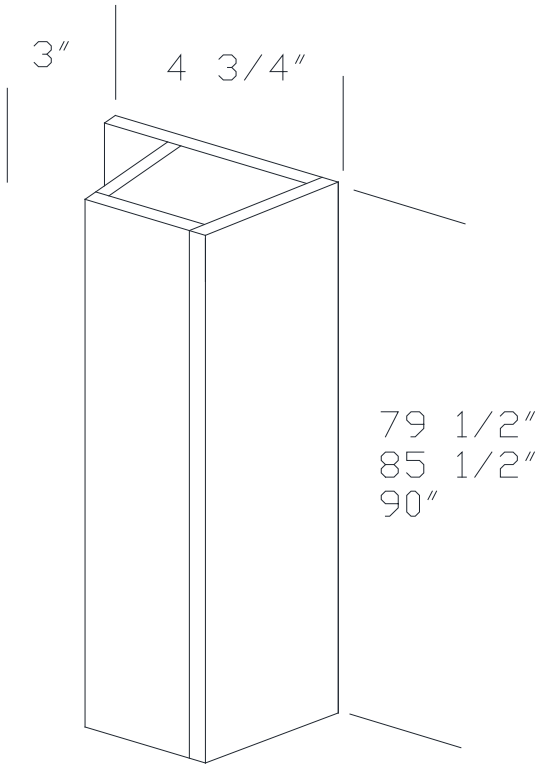
PRODUCT DETAILS

- Veneer or Melamine panel with wood, Thermofoil, Melamine, PureStyle™, or Acrylic front
- Finished on front and two sides
- Unit can be flipped to accommodate left or right run of cabinets
- VSACL = vanity; BSACL = base

DESIGN CONSIDERATIONS

- Depth measurement does not include the filler
- See Customization section for custom size limitations

Slab Angle Column 45° - Tall



	Pricing	Walnut Only
TSACL(L/R)379	686	755
TSACL(L/R)385	719	791
TSACL(L/R)390	719	791

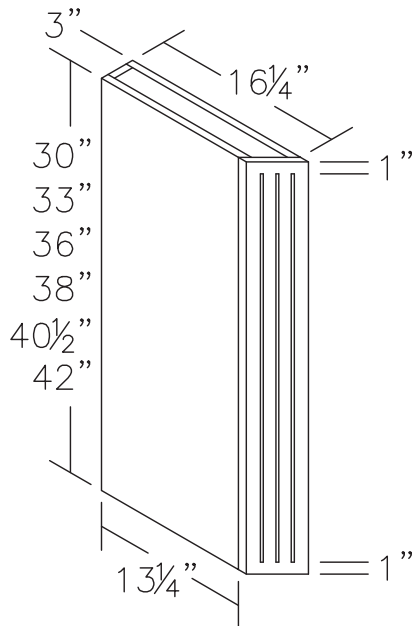
PRODUCT DETAILS

- Veneer or Melamine panel with wood, Thermofoil, Melamine, PureStyle™, or Acrylic front
- Finished on front and two sides
- Unit can be flipped to accommodate left or right run of cabinets

DESIGN CONSIDERATIONS

- Depth measurement does not include the filler
- See Customization section for custom size limitations

Fluted Angle Column 45° - Wall



	Pricing	Walnut Only
WFACL(L/R)330	391	431
WFACL(L/R)333	472	519
WFACL(L/R)336	472	519
WFACL(L/R)338	509	560
WFACL(L/R)340.5	509	560
WFACL(L/R)342	509	560

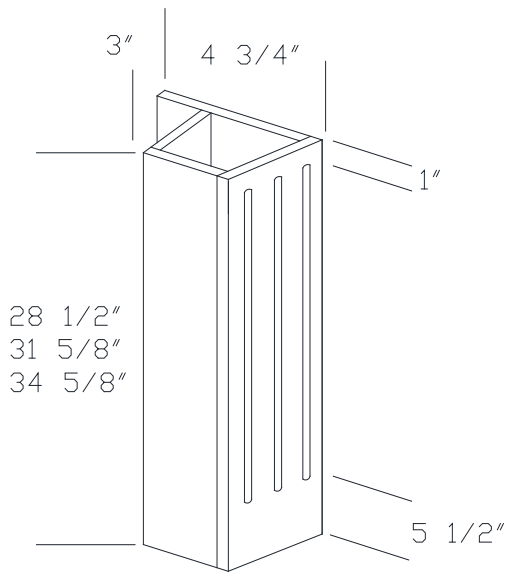
PRODUCT DETAILS

- Veneer or Melamine panel with wood front
- Finished on front, top, bottom, and two sides
- Unit can be flipped to accommodate left or right run of cabinets
- Not available in Veneer, Melamine, PureStyle™, or Acrylic door styles

DESIGN CONSIDERATIONS

- Depth measurement does not include the filler

Fluted Angle Column 45° - Vanity & Base



	Pricing	Walnut Only
VFACL(L/R)329	434	477
VFACL(L/R)332	434	477
BFACL(L/R)335	447	492

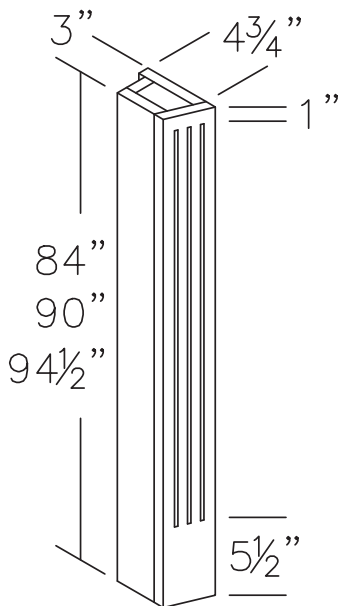
PRODUCT DETAILS

- Veneer or Melamine panel with wood front
- Finished on front and two sides
- VFACL = vanity; BFACL = base

DESIGN CONSIDERATIONS

- Depth measurement does not include the filler
- Not available in Acrylic, Melamine, or PureStyle™

Fluted Angle Column 45° - Tall



	Pricing	Walnut Only
TFACL(L/R)384	760	836
TFACL(L/R)390	794	873
TFACL(L/R)394.5	794	873

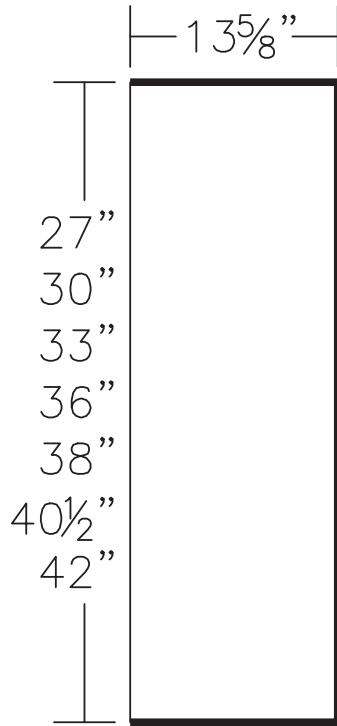
PRODUCT DETAILS

- Veneer or Melamine panel with wood front
- Finished on front and two sides
- All edges come finished

DESIGN CONSIDERATIONS

- Depth measurement does not include the filler
- Not available in Acrylic, Melamine, or PureStyle™

Wall Panel - Melamine



	Pricing
MP13.62527	42
MP13.62530	42
MP13.62533	46
MP13.62536	46
MP13.62538	52
MP13.62540.5	52
MP13.62542	52
MPW13.62527	42
MPW13.62530	42
MPW13.62533	46
MPW13.62536	46
MPW13.62538	52
MPW13.62540.5	52
MPW13.62542	52

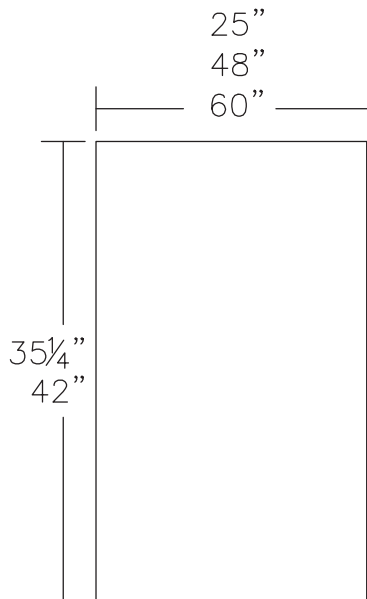
PRODUCT DETAILS

- 5/8" thick Melamine, finished on both sides
- Taped 1 long edge and 2 short edges
- MP = Melamine, MPW = Melamine White

DESIGN CONSIDERATIONS

- Not available in Acrylic
- See Customization section for custom size limitations

Base Panel - Melamine



	Pricing
MP2535	73
MP4835	144
MP4842	181
MPW2535	73
MPW4835	144
MPW4842	181
MPW6035	144
MPW6042	181

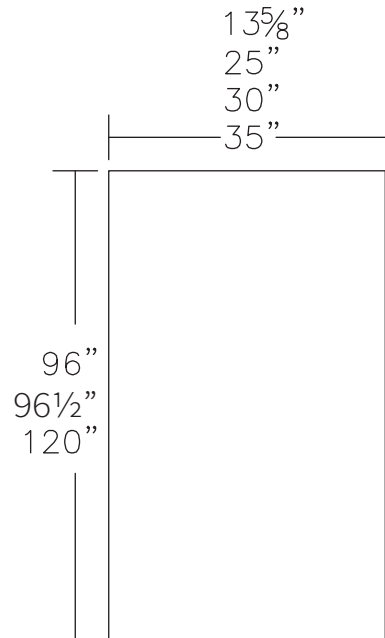
PRODUCT DETAILS

- 5/8" thick white Melamine, finished on both sides
- Taped 1 vertical edge
- MP = Melamine, MPW = Melamine White

DESIGN CONSIDERATIONS

- 60" is available in White Melamine only
- See Customization section for custom size limitations

Full Height Panel - Melamine



	Pricing
MP13.62596	97
MP2596	173
MP3096	216
MPW13.62596	97
MPW2596	173
MPW3096	216
MPW3596	226
MP13.625120	107
MP25120	190
MP30120	238

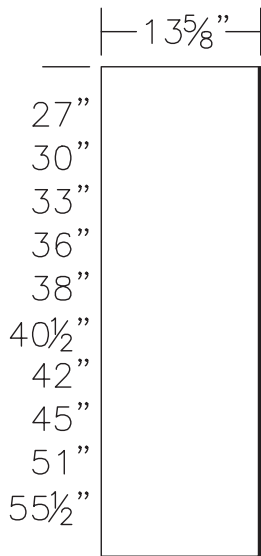
PRODUCT DETAILS

- 5/8" thick Melamine, finished on both sides
- Taped 1 long edge
- MP = Melamine, MPW = Melamine White

DESIGN CONSIDERATIONS

- 120" is only available in Melamine colors: Chill, Haze, Natural, Cascade Dark, and White
- See Customization section for custom size limitations

Wall Panel - Veneer/Acrylic

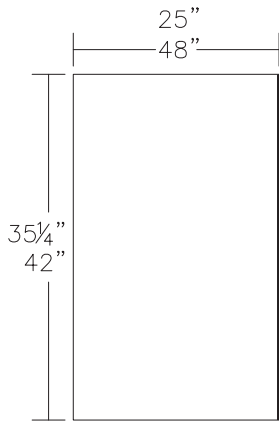


	Pricing	Walnut Only
WP13.62527	85	94
WP13.62530	85	94
WP13.62533	110	121
WP13.62536	110	121
WP13.62538	121	133
WP13.62540.5	121	133
WP13.62542	121	133
WP13.62545	142	157
WP13.62551	171	188
WP13.62555.5	207	228

PRODUCT DETAILS

- 5/8" thick Veneer or Acrylic, finished on both sides
- Taped 1 long edge and 1 short edge
- See Customization section for custom size limitations

Base Panel - Veneer/Acrylic

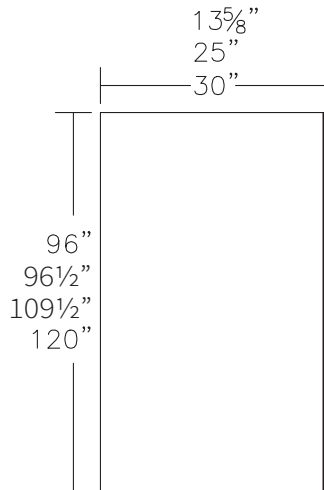


	Pricing	Walnut Only
BP2535	154	169
BP2542	261	287
BP4835	261	287
BP4842	310	341

PRODUCT DETAILS

- 5/8" thick Veneer or Acrylic
- Finished on one vertical edge and both sides
- See Customization section for custom size limitations

Full Height Panel - Veneer/Acrylic



	Pricing	Walnut Only
FHP13.625	212	233
FHP13109.5	265	292
FHP13120	289	318
FHP25	370	407
FHP25109.5	465	511
FHP25120	536	590
FHP30	434	477
FHP30109.5	543	597
FHP30120	621	683

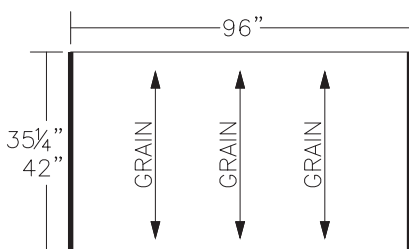
PRODUCT DETAILS

- 5/8" thick Veneer or Acrylic
- Finished on one vertical edge and both sides

DESIGN CONSIDERATIONS

- 109.5" is not available in Echo Wood Horizontal, Gloss Beige, Gloss Dark Grey Acrylic, or PureStyle™
- 120" Acrylic Panels are only available in Gloss White and Gloss Black
- See Customization section for custom size limitations

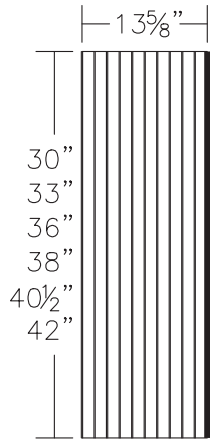
Base Panel - Veneer



	Pricing	Walnut Only
BP9635	685	754
BP9642	856	942

PRODUCT DETAILS

- 5/8" thick Veneer
- Finished on two vertical edges and both sides
- See Customization section for custom size limitations

Wall Panel - Beaded

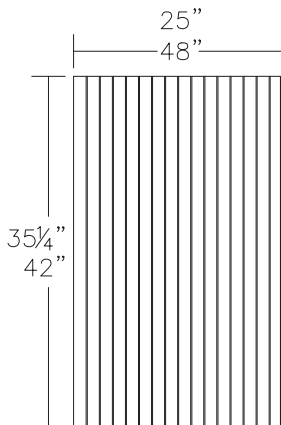
	Pricing
BWP30	128
BWP33	166
BWP36	166
BWP38	177
BWP40.5	177
BWP42	177

PRODUCT DETAILS

- 5/8" thick Veneer
- Finished on one long edge and both sides

DESIGN CONSIDERATIONS

- Only available in Maple, Oak, and Cherry
- See Customization section for custom size limitations

Base Panel - Beaded

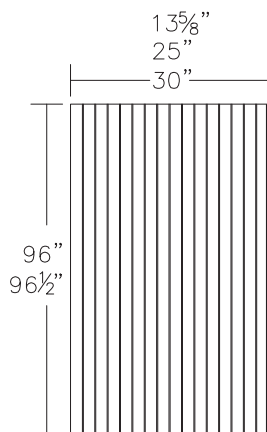
	Pricing
BBP2535	228
BBP2542	390
BBP4835	390
BBP4842	466

PRODUCT DETAILS

- 5/8" thick Veneer
- Finished on one vertical edge and 2 sides

DESIGN CONSIDERATIONS

- Only available in Maple, Oak, and Cherry
- See Customization section for custom size limitations

Full Height Panel - Beaded

	Pricing
BFHP13.625	317
BFHP25	556
BFHP30	649

PRODUCT DETAILS

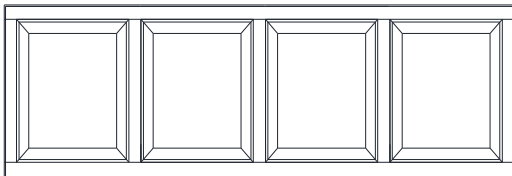
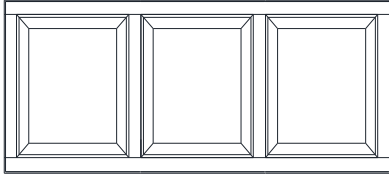
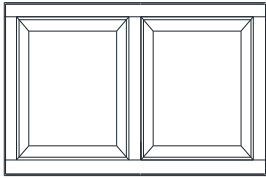
- 5/8" thick Veneer
- Finished on one long edge and both sides

DESIGN CONSIDERATIONS

- Only available in Maple and Cherry
- See Customization section for custom size limitations

Wainscot Panels

Wainscot 2	357	399	426	483	519	570	660	795
Wainscot 3	476	532	568	644	692	760	880	1060
Wainscot 4	595	665	710	805	865	950	1100	1325

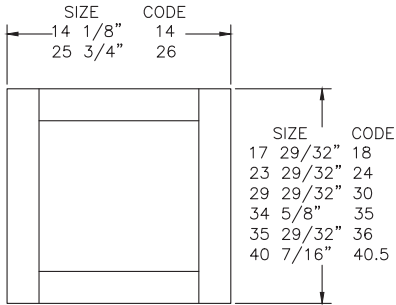
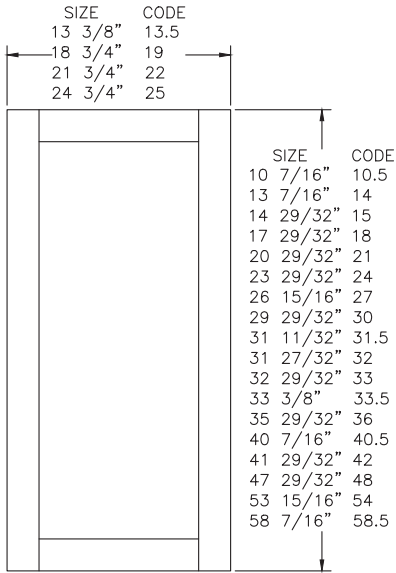


	Minimum Width	Maximum Width
Wainscot 2	24"	48"
Wainscot 3	36"	72"
Wainscot 4	48"	96"

PRODUCT DETAILS

- 3/4" thickness; mortise and tenon construction
- Finished like a standard door
- Outside profile is 1/4" round edge (similar to the Yorkshire door style)
- Inside profile will match the door style selected
- See Door Style section for availability
- See Customization section for custom size limitations
- Additional details are as per request (custom specifications)

Matching End Panels



Panel Door - Square

PD	119	133	142	161	173	190	220	265
----	-----	-----	-----	-----	-----	-----	-----	-----

Available Sizing Codes

PD13.510.5	PD13.532	PD1924	PD2233
PD13.514	PD13.533	PD1930	PD2524
PD13.515	PD13.533.5	PD1931.5	PD2530
PD13.518	PD13.536	PD1932	PD2531.5
PD13.521	PD13.540.5	PD1933	PD2532
PD13.524	PD13.542	PD1933.5	PD2533.5
PD13.527	PD13.548	PD2224	
PD13.530	PD13.554	PD2227	
PD13.531.5	PD13.558.5	PD2230	

Panel Door - Arch

PDA	119	133	142	161	173	190	220	265
-----	-----	-----	-----	-----	-----	-----	-----	-----

Available Sizing Codes

PDA13.510.5	PDA13.532	PDA1924	PDA2233
PDA13.514	PDA13.533	PDA1930	PDA2524
PDA13.515	PDA13.533.5	PDA1931.5	PDA2530
PDA13.518	PDA13.536	PDA1932	PDA2531.5
PDA13.521	PDA13.540.5	PDA1933	PDA2532
PDA13.524	PDA13.542	PDA1933.5	PDA2533.5
PDA13.527	PDA13.548	PDA2224	
PDA13.530	PDA13.554	PDA2227	
PDA13.531.5	PDA13.558.5	PDA2230	

PRODUCT DETAILS

- Panel is 1/8" from back edge of module and flush with front of door
- Panel door covers the end of a peninsula cabinet. Left and right edges of panel are flush with faces of working doors

DESIGN CONSIDERATIONS

- Not all size combinations are available
- See Customization section for custom size limitations

HOW TO ORDER

Specify size code i.e. PPD13.510.5

Code example PD13.518

PD = type of panel door

13.5 = width of door

18 = height of door

Peninsula Panel Door - Square

PPD	119	133	142	161	173	190	220	265
-----	-----	-----	-----	-----	-----	-----	-----	-----

Available Sizing Codes

PPD1418	PPD1430	PPD1436	PPD2630
PPD1424	PPD1435	PPD1440.5	

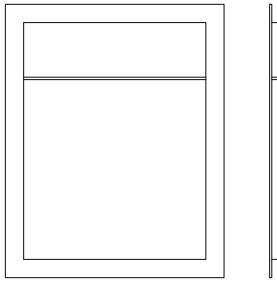
Peninsula Panel Door - Arch

PPDA	119	133	142	161	173	190	220	265
------	-----	-----	-----	-----	-----	-----	-----	-----

Available Sizing Codes

PPDA1418	PPDA1430	PPDA1436
PPDA1424	PPDA1435	PPDA1440.5

Appliance Panels



HOW TO ORDER

- Fill out and submit the Appliance Panel Request Form
- Add AP to the panel size (i.e. AP1530 yields an appliance panel 15"W x 30"H)

HOW TO PRICE

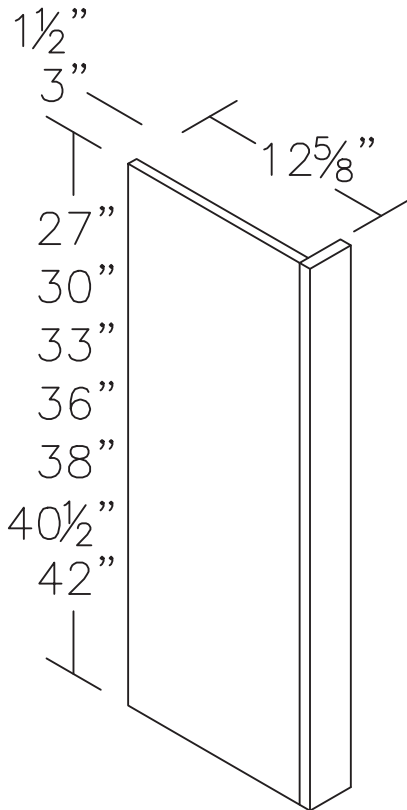
- Example: Maple Veneer **flat appliance panel** 24W" x 30H"=720 sq in/144 sq ft=5 sq ft*\$26 per sq ft=\$130
- Example: Maple Veneer **door style appliance panel** 24W" x 30H"=720 sq in/144 sq ft=5 sq ft*\$114 per sq ft=\$570

Panel Species Material (in veneer)	¼" Flat Appliance Panel (AP)	⅝" or ¾" Door Style Appliance Panel (APD)
HDF, Red Oak, Maple	\$26/sq ft	\$114/sq ft
Cherry, Alder, Rift Oak	\$29/sq ft	\$125/sq ft
Walnut	\$36/sq ft	\$150/sq ft

PRODUCT DETAILS

- Maximum width 35", maximum height 96"
- Not available in Thermofoil, Melamine, PureStyle, Echo Wood, and Acrylic
- Custom doors cannot be ordered without panels
- Appliance panel doors without a reveal are available via a Custom Pricing Request Form, found in the Order Forms section
- Standard pricing is for up to 2 doors per appliance panel. If more doors per panel are required, then a Custom Pricing Request Form must be submitted
- Frameless appliance panels are available by Custom Pricing Request Form
- It is the customer's responsibility to supply the correct measurements and reveals for the appliance panel doors

Filler Panel Wall - Wood, Thermofoil and Acrylic



	Pricing	Walnut Only
WFPLR27-1.5	155	186
WFPLR30-1.5	155	186
WFPLR33-1.5	164	198
WFPLR36-1.5	164	198
WFPLR38-1.5	175	210
WFPLR40.5-1.5	175	210
WFPLR42-1.5	175	210
WFPLR27-3	164	198
WFPLR30-3	164	198
WFPLR33-3	183	219
WFPLR36-3	183	219
WFPLR38-3	199	238
WFPLR40.5-3	199	238
WFPLR42-3	199	238

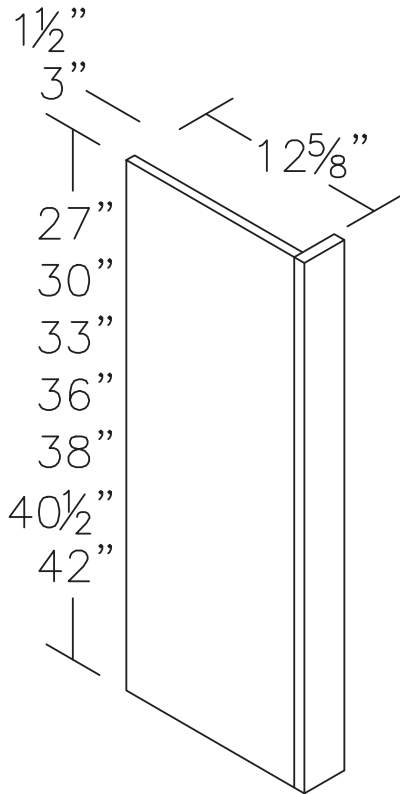
PRODUCT DETAILS

- ¾" thick solid wood, Thermofoil, or Acrylic filler
- Filler finished on front, side, and all edges
- Filler edges profiled to match door style
- Unit can be flipped to accommodate left or right run of cabinets

DESIGN CONSIDERATIONS

- Depth measurement does not include the filler
- 1½" wide filler panels are not available in Thermofoil
- See Customization section for custom size limitations

Filler Panel Wall - Melamine or PureStyle™



	Pricing
WMFPLR27-1.5	113
WMFPLR30-1.5	113
WMFPLR33-1.5	123
WMFPLR36-1.5	123
WMFPLR38-1.5	133
WMFPLR40.5-1.5	133
WMFPLR42-1.5	133
WMFPLR27-3	123
WMFPLR30-3	123
WMFPLR33-3	141
WMFPLR36-3	141
WMFPLR38-3	157
WMFPLR40.5-3	157
WMFPLR42-3	157

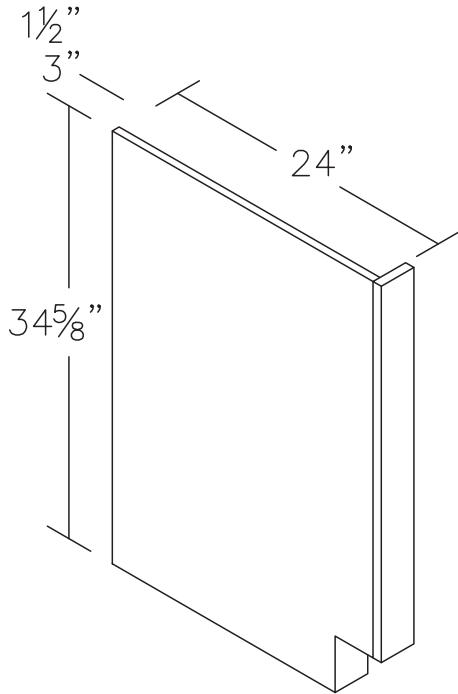
PRODUCT DETAILS

- 5/8" thick Melamine or PureStyle™ filler
- Filler finished on front, side, and all edges
- Filler edges profiled to match door style
- Unit can be flipped to accommodate left or right run of cabinets

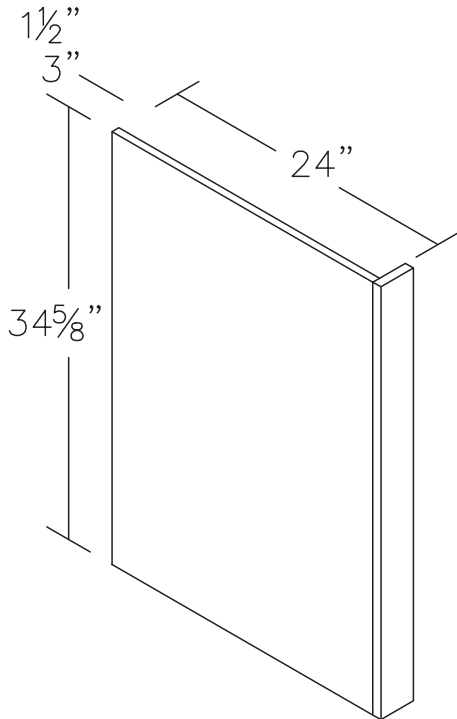
DESIGN CONSIDERATIONS

- Depth measurement does not include the filler
- See Customization section for custom size limitations
- Not available in Walnut

Filler Panel Base - Wood, Thermofoil, Acrylic, Melamine, or PureStyle™



Toe Kick - diagram shows left



Flush Toe Kick

	Pricing	Walnut Only
Wood, Thermofoil and Acrylic		
BFP(L/R)24-1.5	233	280
BFP(L/R)24-3	248	297
<hr/>		
BFPLFTK24-1.5	233	280
BFPLFTK24-3	248	297
<hr/>		
Melamine and PureStyle™		
	Pricing	
BMFP(L/R)24-1.5	171	
BMFP(L/R)24-3	185	
<hr/>		
BMFPLFTK24-1.5	171	
BMFPLFTK24-3	185	

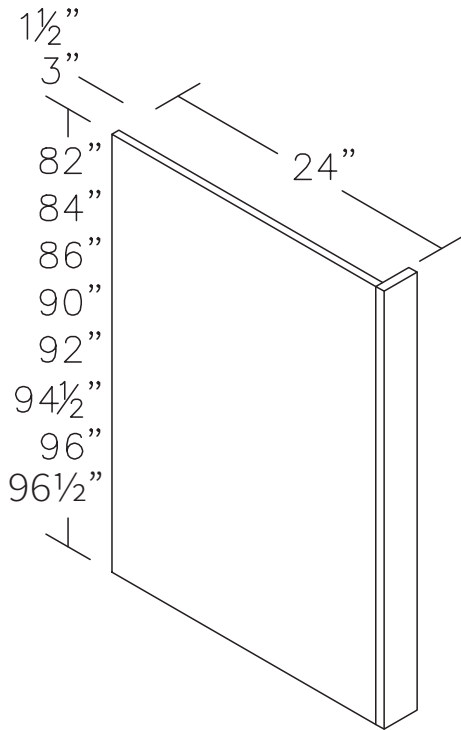
PRODUCT DETAILS

- 3/4" thick solid wood, Thermofoil, or Acrylic filler or 5/8" thick Melamine or PureStyle™ filler
- Filler finished on front, side, and all edges
- Filler edges profiled to match door style
- Flush Toekick (FTK) unit can be flipped to accommodate left or right run of cabinets

DESIGN CONSIDERATIONS

- Depth measurement does not include the filler
- 1 1/2" wide filler panels are not available in Thermofoil
- See Customization section for custom size limitations

Filler Panel Tall 24" Deep with Flush Toekick - Wood, Thermofoil, Acrylic, Melamine, or PureStyle™



Pricing Walnut Only

Wood, Thermofoil and Acrylic

TFPLR2482-1.5	475	570
TFPLR2484-1.5	475	570
TFPLR2486-1.5	509	610
TFPLR2490-1.5	509	610
TFPLR2492-1.5	509	610
TFPLR2494.5-1.5	509	610
TFPLR2496-1.5	509	610
TFPLR2496.5-1.5	509	610
TFPLR2482-3	521	625
TFPLR2484-3	521	625
TFPLR2486-3	547	656
TFPLR2490-3	547	656
TFPLR2492-3	547	656
TFPLR2494.5-3	547	656
TFPLR2496-3	547	656
TFPLR2496.5-3	547	656

Melamine and PureStyle™

Pricing

TMFPLR2482-1.5	319
TMFPLR2484-1.5	319
TMFPLR2486-1.5	353
TMFPLR2490-1.5	353
TMFPLR2492-1.5	353
TMFPLR2494.5-1.5	353
TMFPLR2496-1.5	353
TMFPLR2496.5-1.5	353
TMFPLR2482-3	365
TMFPLR2484-3	365
TMFPLR2486-3	391
TMFPLR2490-3	391
TMFPLR2492-3	391
TMFPLR2494.5-3	391
TMFPLR2496-3	391
TMFPLR2496.5-3	391

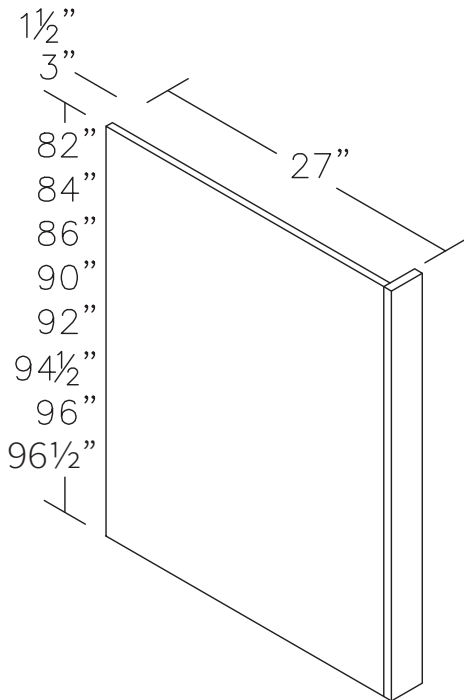
DESIGN CONSIDERATIONS

- Echo Wood, Melamine, PureStyle™, and Thermofoil **horizontal fillers** can only be made to the length of 48"
- Echo Wood, Thermofoil, and PureStyle™ fillers can only be made to the length of 96"
- Depth measurement does not include the filler
- 1 1/2" wide filler panels are not available in Thermofoil
- See Customization section for custom size limitations

PRODUCT DETAILS

- 3/4" thick solid wood, Thermofoil, or Acrylic filler or 5/8" thick Melamine or PureStyle™ filler
- Filler finished on front, side, and all edges
- Filler edges profiled to match door style
- Unit can be flipped to accommodate left or right run of cabinets

Filler Panel Tall 27" Deep - Wood, Thermofoil, Acrylic, Melamine, or PureStyle™



DESIGN CONSIDERATIONS

- Melamine, PureStyle™, and Thermofoil **horizontal fillers** can only be made to a length of 48"
- Echo Wood, Thermofoil, and PureStyle™ fillers can only be made to a length of 96"
- Depth measurement does not include the filler
- 1 1/2" wide filler panels are not available in Thermofoil
- See Customization section for custom size limitations

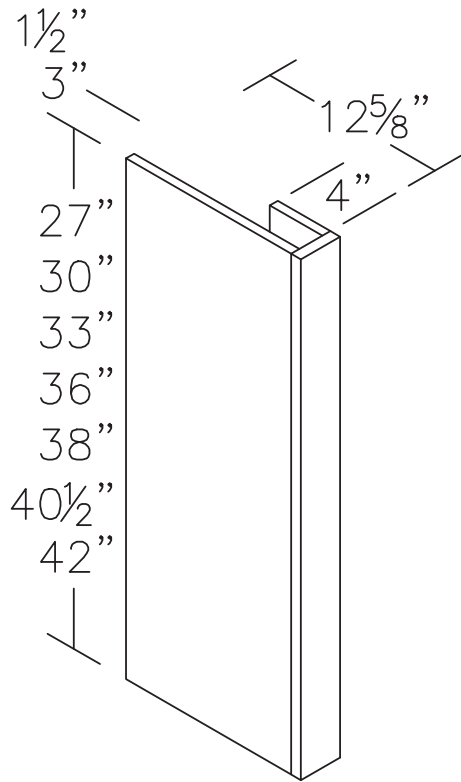
	Pricing	Walnut Only
Wood, Thermofoil and Acrylic		
TFPLR2782-1.5	523	627
TFPLR2784-1.5	523	627
TFPLR2786-1.5	560	671
TFPLR2790-1.5	560	671
TFPLR2792-1.5	560	671
TFPLR2794.5-1.5	560	671
TFPLR2796-1.5	560	671
TFPLR2796.5-1.5	560	671
TFPLR2782-3	573	688
TFPLR2784-3	573	688
TFPLR2786-3	602	722
TFPLR2790-3	602	722
TFPLR2792-3	602	722
TFPLR2794.5-3	602	722
TFPLR2796-3	602	722
TFPLR2796.5-3	602	722

	Pricing
Melamine and PureStyle™	
TMFPLR2782-1.5	351
TMFPLR2784-1.5	351
TMFPLR2786-1.5	388
TMFPLR2790-1.5	388
TMFPLR2792-1.5	388
TMFPLR2794.5-1.5	388
TMFPLR2496-1.5	388
TMFPLR2496.5-1.5	388
TMFPLR2782-3	402
TMFPLR2784-3	402
TMFPLR2786-3	430
TMFPLR2790-3	430
TMFPLR2792-3	430
TMFPLR2794.5-3	430
TMFPLR2796-3	430
TMFPLR2796.5-3	430

PRODUCT DETAILS

- 3/4" thick solid wood, Thermofoil, or Acrylic filler or 5/8" thick Melamine or PureStyle™ filler
- Filler finished on front, side, and all edges
- Filler edges profiled to match door style
- Unit can be flipped to accommodate left or right run of cabinets

Filler Panel Wall with 4" Return - Wood, Thermofoil, Acrylic, or PureStyle™



	Pricing	Walnut Only
WFPLR27R4-1.5	259	290
WFPLR30R4-1.5	259	290
WFPLR33R4-1.5	268	302
WFPLR36R4-1.5	268	302
WFPLR38R4-1.5	279	314
WFPLR40.5R4-1.5	279	314
WFPLR42R4-1.5	279	314
WFPLR27R4-3	268	302
WFPLR30R4-3	268	302
WFPLR33R4-3	287	323
WFPLR36R4-3	287	323
WFPLR38R4-3	303	342
WFPLR40.5R4-3	303	342
WFPLR42R4-3	303	342

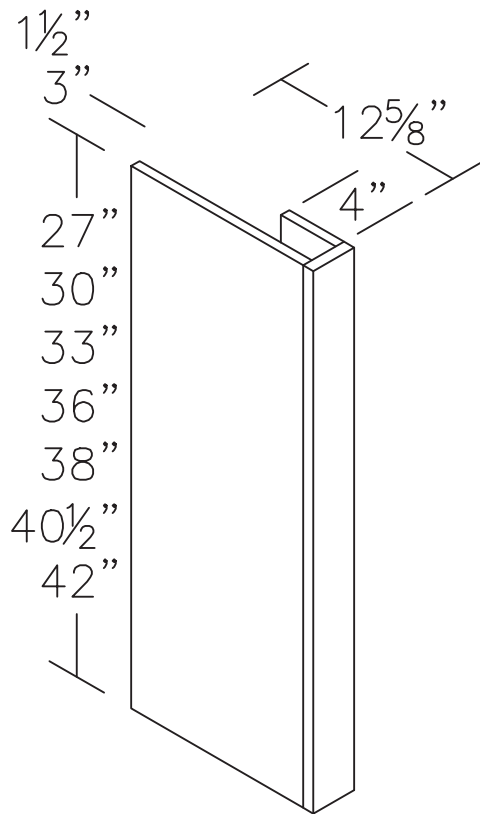
PRODUCT DETAILS

- 3/4" thick solid wood, Thermofoil, Acrylic, or PureStyle™ filler
- Filler finished on front, side, and all edges
- Filler edges profiled to match door style
- Unit can be flipped to accommodate left or right run of cabinets

DESIGN CONSIDERATIONS

- Depth measurement does not include the filler
- 1 1/2" wide filler panels are not available in Thermofoil
- See Customization section for custom size limitations

Filler Panel Wall c/w 4" Return - Melamine and PureStyle™



	Pricing
WMFPLR27R4-1.5	191
WMFPLR30R4-1.5	191
WMFPLR33R4-1.5	201
WMFPLR36R4-1.5	201
WMFPLR38R4-1.5	211
WMFPLR40.5R4-1.5	211
WMFPLR42R4-1.5	211
WMFPLR27R4-3	201
WMFPLR30R4-3	201
WMFPLR33R4-3	219
WMFPLR36R4-3	219
WMFPLR38R4-3	235
WMFPLR40.5R4-3	235
WMFPLR42R4-3	235

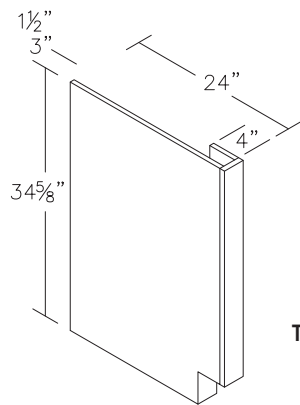
PRODUCT DETAILS

- 5/8" thick Melamine or PureStyle™ filler
- Filler finished on front, side, and all edges
- Filler edges profiled to match door style
- Unit can be flipped to accommodate left or right run of cabinets

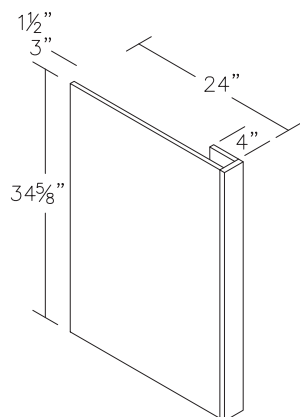
DESIGN CONSIDERATIONS

- Depth measurement does not include the filler
- See Customization section for custom size limitations

Filler Panel Base c/w 4" Return - Wood, Thermofoil, Acrylic, Melamine & PureStyle™



Toe Kick - diagram shows left



Flush Toe Kick

	Pricing	Walnut Only
BFP(L/R)24R4-1.5	337	384
BFP(L/R)24R4-3	352	401
BFP(L/R)FTK24R4-1.5	337	384
BFP(L/R)FTK24R4-3	352	401
BMFP(L/R)24R4-1.5	249	n/a
BMFP(L/R)24R4-3	263	n/a
BMFP(L/R)FTK24R4-1.5	249	n/a
BMFP(L/R)FTK24R4-3	263	n/a

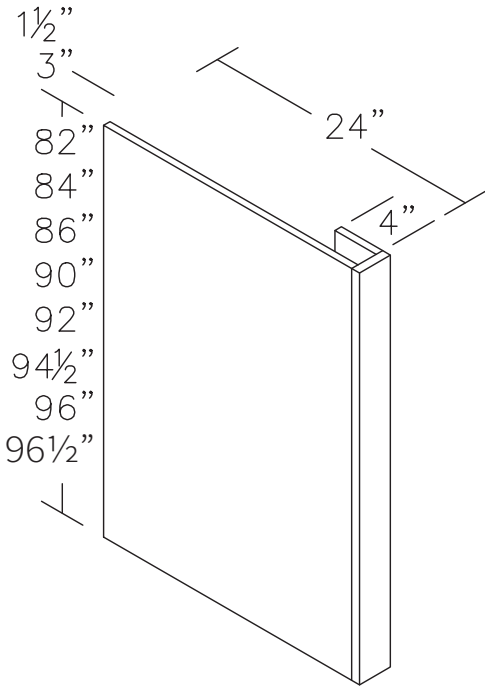
PRODUCT DETAILS

- 3/4" thick solid wood, Thermofoil, or Acrylic filler or 5/8" thick Melamine or PureStyle™ filler
- Filler finished on front, side, and all edges
- Filler edges profiled to match door style
- Flush toekick (FTK) unit can be flipped to accommodate left or right run of cabinets
- BFP = wood, Thermofoil, and Acrylic; BMFP = Melamine and PureStyle™

DESIGN CONSIDERATIONS

- Depth measurement does not include the filler
- 1 1/2" wide filler panels are not available in Thermofoil
- See Customization section for custom size limitations

Filler Panel Tall c/w 4" Return 24" Deep - Wood, Thermofoil, Acrylic, Melamine, and PureStyle™



PRODUCT DETAILS

- 3/4" thick solid wood, Thermofoil, or Acrylic filler or 5/8" thick Melamine or PureStyle™ filler
- Filler finished on front, side, and all edges
- Filler edges profiled to match door style
- Unit can be flipped to accommodate left or right run of cabinets

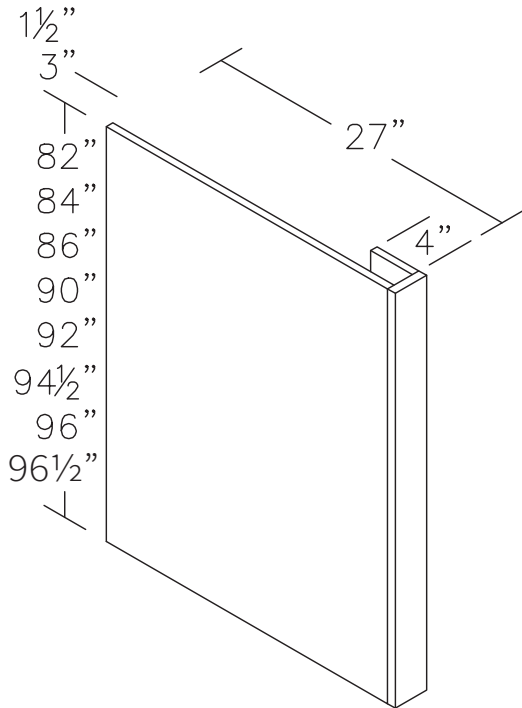
DESIGN CONSIDERATIONS

- Depth measurement does not include the filler
- 1 1/2" wide filler panels are not available in Thermofoil
- Melamine, PureStyle™, and Thermofoil **Horizontal fillers** can only be made to the length of 48"
- Echo Wood, Thermofoil, and PureStyle™ fillers can only be made to the length of 96"
- See Customization section for custom size limitations

Wood, Thermofoil, and Acrylic	Pricing	Walnut Only
TFPLR2482R4-1.5	631	726
TFPLR2484R4-1.5	631	726
TFPLR2486R4-1.5	665	766
TFPLR2490R4-1.5	665	766
TFPLR2492R4-1.5	665	766
TFPLR2494.5R4-1.5	665	766
TFPLR2496R4-1.5	665	766
TFPLR2496.5R4-1.5	665	766
TFPLR2482R4-3	677	781
TFPLR2484R4-3	677	781
TFPLR2486R4-3	703	812
TFPLR2490R4-3	703	812
TFPLR2492R4-3	703	812
TFPLR2494.5R4-3	703	812
TFPLR2496R4-3	703	812
TFPLR2496.5R4-3	703	812

Melamine and PureStyle™	Pricing
TMFPLR2482R4-1.5	423
TMFPLR2484R4-1.5	423
TMFPLR2486R4-1.5	457
TMFPLR2490R4-1.5	457
TMFPLR2492R4-1.5	457
TMFPLR2494.5R4-1.5	457
TMFPLR2496R4-1.5	457
TMFPLR2496.5R4-1.5	457
TMFPLR2482R4-3	469
TMFPLR2484R4-3	469
TMFPLR2486R4-3	495
TMFPLR2490R4-3	495
TMFPLR2492R4-3	495
TMFPLR2494.5R4-3	495
TMFPLR2496R4-3	495
TMFPLR2496.5R4-3	495

Filler Panel Tall c/w 4" Return 27" Deep - Wood, Thermofoil, Acrylic, Melamine, and PureStyle™



PRODUCT DETAILS

- 3/4" thick solid wood, Thermofoil, or Acrylic filler or 5/8" thick Melamine or PureStyle™ filler
- Filler finished on front, side, and all edges
- Filler edges profiled to match door style
- Unit can be flipped to accommodate left or right run of cabinets

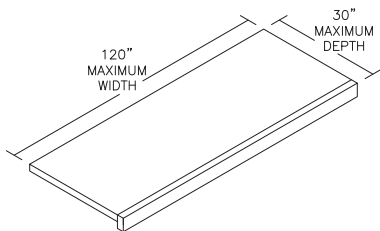
DESIGN CONSIDERATIONS

- Depth measurement does not include the filler
- 1 1/2" wide filler panels are not available in Thermofoil
- Melamine, PureStyle™, and Thermofoil **Horizontal fillers** can only be made to the length of 48"
- Echo Wood, Thermofoil, and PureStyle™ fillers can only be made to the length of 96"
- See Customization section for custom size limitations

Wood, Thermofoil, and Acrylic	Pricing	Walnut Only
TFPLR2782R4-1.5	694	799
TFPLR2784R4-1.5	694	799
TFPLR2786R4-1.5	732	843
TFPLR2790R4-1.5	732	843
TFPLR2792R4-1.5	732	843
TFPLR2794.5R4-1.5	732	843
TFPLR2796R4-1.5	732	843
TFPLR2796.5R4-1.5	732	843
TFPLR2782R4-3	745	859
TFPLR2784R4-3	745	859
TFPLR2786R4-3	773	893
TFPLR2790R4-3	773	893
TFPLR2792R4-3	773	893
TFPLR2794.5R4-3	773	893
TFPLR2796R4-3	773	893
TFPLR2796.5R4-3	773	893

Melamine and PureStyle™	Pricing
TMFPLR2782R4-1.5	465
TMFPLR2784R4-1.5	465
TMFPLR2786R4-1.5	503
TMFPLR2790R4-1.5	503
TMFPLR2792R4-1.5	503
TMFPLR2794.5R4-1.5	503
TMFPLR2796R4-1.5	503
TMFPLR2796.5R4-1.5	503
TMFPLR2782R4-3	516
TMFPLR2784R4-3	516
TMFPLR2786R4-3	545
TMFPLR2790R4-3	545
TMFPLR2792R4-3	545
TMFPLR2794.5R4-3	545
TMFPLR2796R4-3	545
TMFPLR2796.5R4-3	545

Wood Top/Edge Options



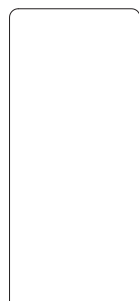
BV
(Beveled)



RS
(Rounded Step)



OG
(Ogee)



RO
(Round Over)

Nomenclature	Description
WOODTOP 1	Profiled edge along one long front edge
WOODTOP 2	Profiled edge along one long and one short edge
WOODTOP 3	Profiled edge along one long and two short edges

	Wood	Walnut
Square foot charge	\$117	\$186

PRODUCT DETAILS

- Particleboard/plywood core with wood Veneer finished top and unfinished bottom
- Wood top height is 1.5"
- Available in 1/4" increments
- Minimum depth = 11 3/4", maximum depth = 30", maximum width = 120" (all depths include wood edge)

DESIGN CONSIDERATIONS

- Available in solid wood and HDF door styles
- Must specify profiled edge selection. Choose from OG, RS, RO or BV profiles
- Contact your service representative if requesting profiled edge along all four sides

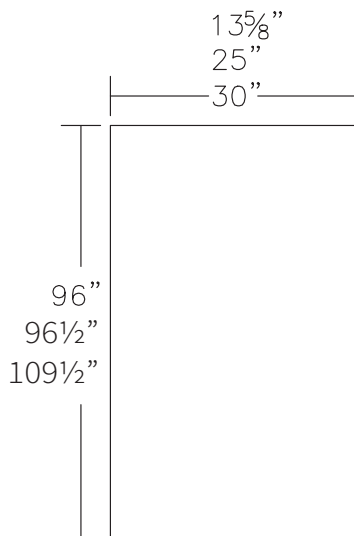
HOW TO ORDER

- WOODTOP_, depth x length, profile code i.e. WOODTOP3, 15, 36 1/2, OG
- Specify left (L) or right (R) for profiled edge when ordering WOODTOP2

HOW TO PRICE

- Price is per square foot (1 sf minimum) and includes profiled edge(s)

Full Height Skins

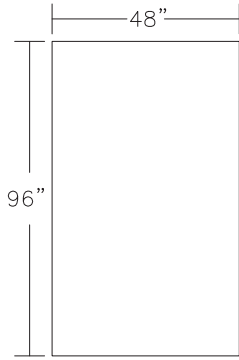


	Pricing	Walnut Only
WS13.62540.5	76	84
BS2535	135	149
FHS13.62596	142	157
FHS2596	267	294
FHS3096	294	323
FHS30109	326	359

PRODUCT DETAILS

- 3/16" Veneer, edges unfinished
- Front is finished; back and sides are unfinished
- Use UPM to cover exposed edge
- Not available in Thermofoil, Melamine, PureStyle™, or Acrylic
- BS2535 is not available in Echo Wood
- See Customization section for custom size limitations

Full Sheet - Melamine, PureStyle™ and Veneer

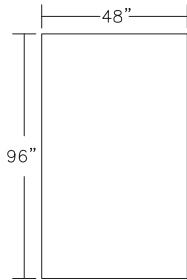


	Pricing	Walnut Only
MFS4X8	292	292
VFS4X8	389	486

PRODUCT DETAILS

- 5/8" thick Melamine, PureStyle™, or Veneer, unfinished on all 4 sides
- MFS = Melamine; VFS = Veneer
- Available in Acrylic as a custom order
- See Customization section for custom size limitations

Painted Full Sheet

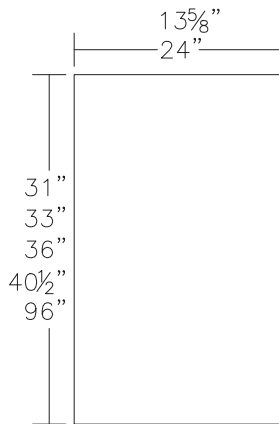


	Pricing	Walnut Only
VFS4X8_Painted	689	786

PRODUCT DETAILS

- 5/8" thick Veneer, edge banded on all 4 edges and finished
- Painted on both sides

Pressure Sensitive Veneer Sheet

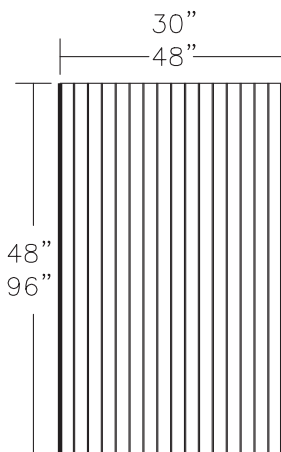


	Pricing	Walnut Only
PSV13.62531	126	138
PSV13.62540.5	163	180
PSV2433	259	285
PSV2436	259	285
PSV2496	625	688

PRODUCT DETAILS

- 1 mm (or 1/25") thick Veneer
- Front finished; back and sides unfinished
- Comes in a peel and stick format
- Not available in Acrylic, Melamine, or PureStyle™
- See Customization section for custom size limitations

Beaded Sheet 3/16



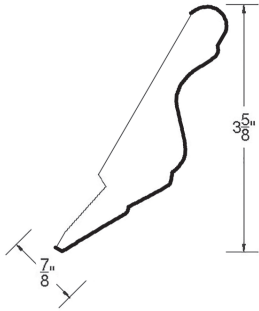
	Pricing
FBS3048	461
FBS4848	461
FBS3096	572
FBS4896	572

PRODUCT DETAILS

- 3/16" Veneer
- Finished on front; edgetaped on both sides
- Only available in Maple or Cherry
- Not available in Walnut or Acrylic
- Use SBE, BPM, TBM, or UPM mouldings to cap edges of panel

Crown Moulding

Pricing	Walnut Only
226	270
339	n/a



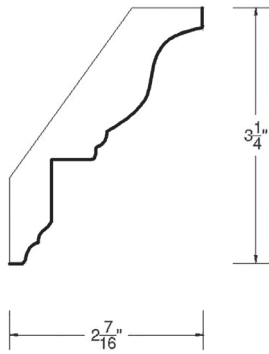
CRM96PLAIN	226	270
CRM120PLAIN	339	n/a

PRODUCT DETAILS

- CRM120PLAIN only available in Oak, Maple, and Cherry
- Not available in Melamine, PureStyle™, Acrylic, Thermofoil, or Echo Wood
- Mouldings for Melamine and Acrylic door styles are limited to SBM, SBMLR, SACMPLAIN, and SHKRFBM

Crown Moulding Plain - Classic

Pricing	Walnut Only
227	272
341	n/a



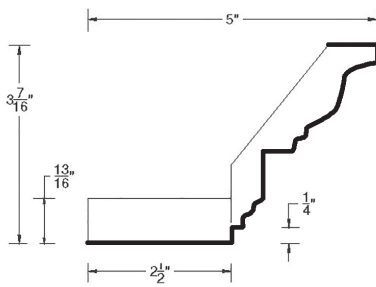
CCM96PLAIN	227	272
CCM120PLAIN	341	n/a

PRODUCT DETAILS

- CCM120PLAIN only available in Oak, Maple, and Cherry
- Not available in Melamine, PureStyle™, Acrylic, Thermofoil, or Echo Wood
- Mouldings for Melamine and Acrylic door styles are limited to SBM, SBMLR, SACMPLAIN, and SHKRFBM

Crown Moulding Cleat - Classic

Pricing
227
341



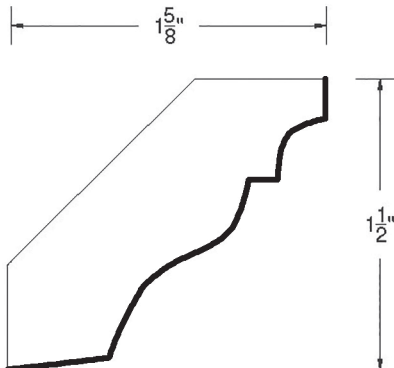
CCM96CLEAT	227
CCM120CLEAT	341

PRODUCT DETAILS

- CCM120CLEAT only available in Oak, Maple, and Cherry
- Not available in Walnut, Melamine, PureStyle™, Acrylic, or Thermofoil
- Mouldings for Melamine and Acrylic door styles are limited to SBM, SBMLR, SACMPLAIN, and SHKRFBM
- This moulding can be used with the egg and dart, dental, and rope mouldings

Crown Moulding Plain - Traditional

Pricing	Walnut Only
157	188
236	n/a

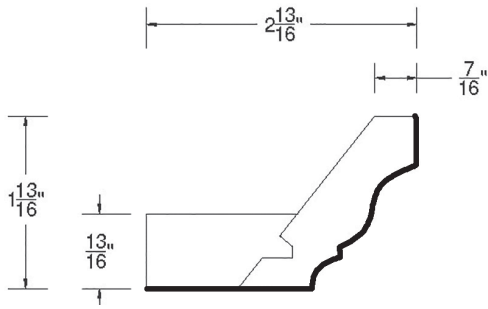


TCRM96PLAIN	157	188
TCRM120PLAIN	236	n/a

PRODUCT DETAILS

- TCRM120PLAIN only available in Oak, Maple, and Cherry
- Not available in Melamine, PureStyle™, Acrylic, Thermofoil, or Echo Wood
- Mouldings for Melamine and Acrylic door styles are limited to SBM, SBMLR, SACMPLAIN, and SHKRFBM

Crown Moulding Cleat - Traditional

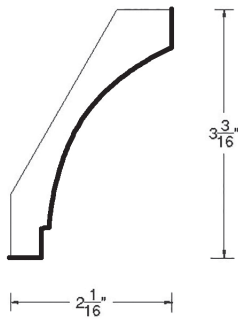


	Pricing	Walnut Only
TCRM96CLEAT	157	188
TCRM120CLEAT	236	n/a

PRODUCT DETAILS

- TCRM120CLEAT only available in Oak, Maple, or Cherry
- Not available in Melamine, PureStyle™, Acrylic, Thermofoil, or Echo Wood
- Mouldings for Melamine and Acrylic door styles are limited to SBM, SBMLR, SACMPLAIN, and SHKRFBM

Crown Moulding Plain - Medium

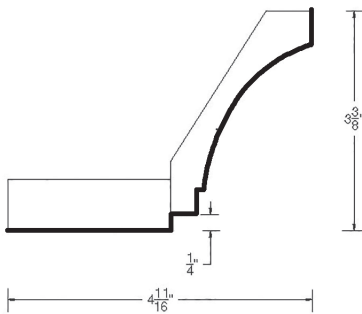


	Pricing	Walnut Only
MCRM96PLAIN	205	245
MCRM120PLAIN	308	n/a

PRODUCT DETAILS

- MCRM120PLAIN only available in Oak, Maple, or Cherry
- Not available in Melamine, PureStyle™, Acrylic, Thermofoil, or Echo Wood
- Mouldings for Melamine and Acrylic door styles are limited to SBM, SBMLR, SACMPLAIN, and SHKRFBM

Crown Moulding Cleat - Medium

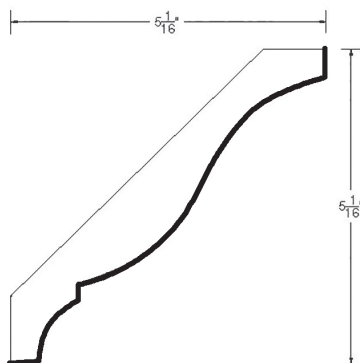


	Pricing	Walnut Only
MCRM96CLEAT	205	245
MCRM120CLEAT	308	n/a

PRODUCT DETAILS

- MCRM120CLEAT only available in Oak, Maple, or Cherry
- Not available in Melamine, PureStyle™, Acrylic, Echo Wood, or Thermofoil
- Mouldings for Melamine and Acrylic door styles are limited to SBM, SBMLR, SACMPLAIN, and SHKRFBM

Crown Moulding Plain - Large



	Pricing
LCRM96PLAIN	362
LCRM120PLAIN	544

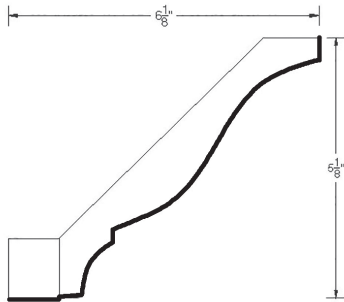
PRODUCT DETAILS

- LCRM96PLAIN only available in Oak, Maple, Cherry, and Rustic Alder
- LCRM120PLAIN only available in Oak, Maple, and Cherry
- Not available in Walnut, Melamine, PureStyle™, Acrylic, Thermofoil, or Echo Wood
- Mouldings for Melamine and Acrylic door styles are limited to SBM, SBMLR, SACMPLAIN, and SHKRFBM

DESIGN CONSIDERATIONS

- Due to size, these mouldings are laminated and could show color and grain variation

Crown Moulding Cleat - Large



	Pricing
LCRM96CLEAT	362
LCRM120CLEAT	544

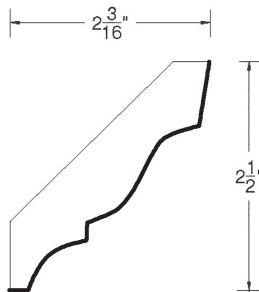
PRODUCT DETAILS

- LCRM96CLEAT only available in Oak, Maple, Cherry, and Rustic Alder
- LCRM120CLEAT only available in Oak, Maple, or Cherry
- Not available in Walnut, Rift Oak, Melamine, PureStyle™, Acrylic, Thermofoil, or Echo Wood
- Mouldings for Melamine and Acrylic door styles are limited to SBM, SBMLR, SACMPLAIN, and SHKRFBM

DESIGN CONSIDERATIONS

- Due to size, these mouldings are laminated and could show color and grain variation

Crown Moulding Plain - Heavy

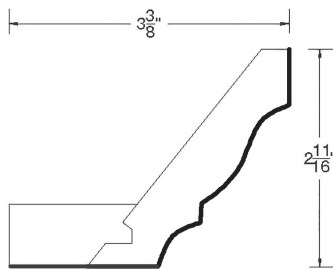


	Pricing	Walnut Only
HCRM96PLAIN	227	272
HCRM120PLAIN	341	n/a

PRODUCT DETAILS

- HCRM96PLAIN not available in Melamine, PureStyle™, Acrylic, Echo Wood, or Thermofoil
- HCRM120PLAIN only available in Oak, Maple, and Cherry
- Mouldings for Melamine and Acrylic door styles are limited to SBM, SBMLR, SACMPLAIN, and SHKRFBM

Crown Moulding Cleat - Heavy

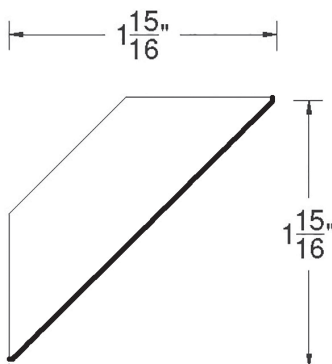


	Pricing	Walnut Only
HCRM96CLEAT	227	272
HCRM120CLEAT	341	n/a

PRODUCT DETAILS

- HCRM96CLEAT not available in Melamine, PureStyle™, Acrylic, Echo Wood, or Thermofoil
- HCRM120CLEAT only available in Oak, Maple, and Cherry
- Mouldings for Melamine and Acrylic door styles are limited to SBM, SBMLR, SACMPLAIN, and SHKRFBM

Angle Crown Moulding Plain - Small



	Pricing	Walnut Only
SACM96PLAIN	227	272
SACM120PLAIN	341	n/a

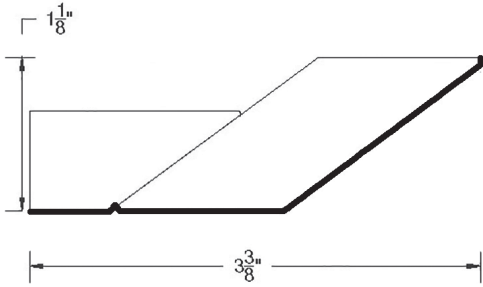
PRODUCT DETAILS

- SACM96PLAIN not available in Echo Wood, Thermofoil, or PureStyle™
- SACM120PLAIN only available in Oak, Maple, and Cherry
- Mouldings for Melamine and Acrylic door styles are limited to SBM, SBMLR, SACMPLAIN, and SHKRFBM

DESIGN CONSIDERATIONS

- Melamine and Acrylic not available in 120" length
- SACM96PLAIN available in Melamine 96" long only, price point 2; Acrylic 96" long only, price point 6

Angle Crown Moulding Cleat - Small

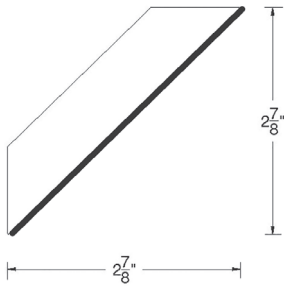


	Pricing	Walnut Only
SACM96CLEAT	227	272
SACM120CLEAT	341	n/a

PRODUCT DETAILS

- SACM120CLEAT only available in Oak, Maple, and Cherry
- SACM96CLEAT not available in Melamine, PureStyle™, Acrylic, Echo Wood, or Thermofoil
- Mouldings for Melamine and Acrylic door styles are limited to SBM, SBMLR, SACMPLAIN, and SHKRFBM

Angle Crown Moulding Plain - Medium

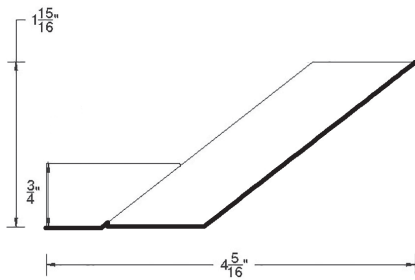


	Pricing	Walnut Only
MSACM96PLAIN	205	245
MSACM120PLAIN	308	n/a

PRODUCT DETAILS

- MSACM120PLAIN only available in Oak, Maple, or Cherry
- MSACM96PLAIN only available in Oak, Maple, Cherry, or Rustic Alder
- Mouldings for Melamine and Acrylic door styles are limited to SBM, SBMLR, SACMPLAIN, and SHKRFBM

Angle Crown Moulding Cleat - Medium

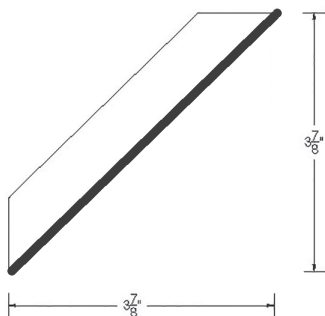


	Pricing	Walnut Only
MSACM96CLEAT	205	245
MSACM120CLEAT	308	n/a

PRODUCT DETAILS

- MSACM120CLEAT only available in Oak, Maple, and Cherry
- MSACM96CLEAT not available in Melamine, PureStyle™, Acrylic, Echo Wood, or Thermofoil
- Mouldings for Melamine and Acrylic door styles are limited to SBM, SBMLR, SACMPLAIN, and SHKRFBM

Angle Crown Moulding Plain - Large

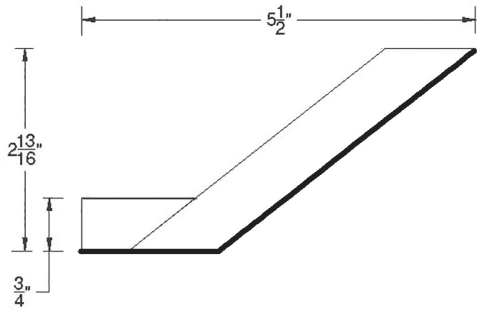


	Pricing	Walnut Only
LSACM96PLAIN	227	272
LSACM120PLAIN	341	n/a

PRODUCT DETAILS

- LSACM120PLAIN only available in Oak, Maple, and Cherry
- LSACM96PLAIN not available in Melamine, PureStyle™, Acrylic, Echo Wood, or Thermofoil
- Mouldings for Melamine and Acrylic door styles are limited to SBM, SBMLR, SACMPLAIN, and SHKRFBM

Angle Crown Moulding Cleat - Large

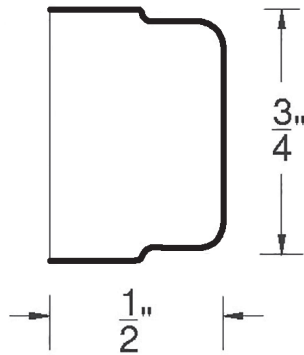


	Pricing	Walnut Only
LSACM96CLEAT	227	272
LSACM120CLEAT	341	n/a

PRODUCT DETAILS

- LSACM96CLEAT not available in Melamine, PureStyle™, Acrylic, Echo Wood, or Thermofoil
- LSACM120CLEAT only available in Oak, Maple, and Cherry
- Mouldings for Melamine and Acrylic door styles are limited to SBM, SBMLR, SACMPLAIN, and SHKRFBM

Edge Moulding - Single Bead

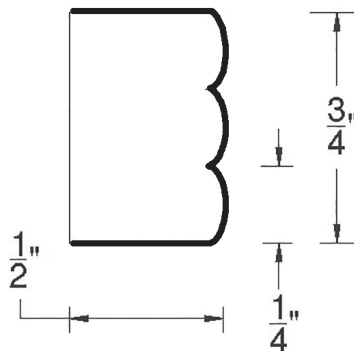


	Pricing	Walnut Only
SBE96	37	45

PRODUCT DETAILS

- Not available in Melamine, PureStyle™, Acrylic, Echo Wood, or Thermofoil
- Mouldings for Melamine and Acrylic door styles are limited to SBM, SBMLR, SACMPLAIN, and SHKRFBM

Edge Moulding - Triple Bead

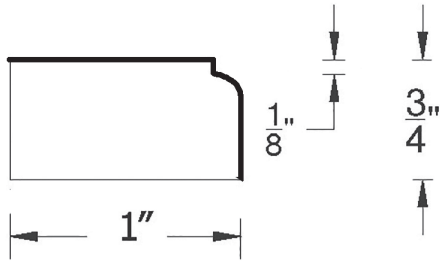


	Pricing	Walnut Only
TBE96	37	45

PRODUCT DETAILS

- Not available in Melamine, PureStyle™, Acrylic, Echo Wood, or Thermofoil
- Mouldings for Melamine and Acrylic door styles are limited to SBM, SBMLR, SACMPLAIN, and SHKRFBM

Traditional Wood Edge - Small

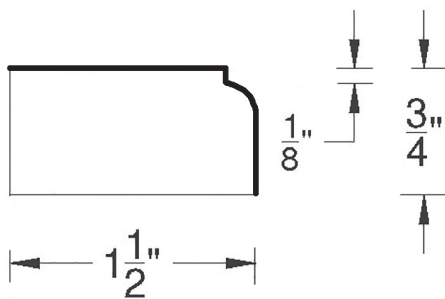


	Pricing	Walnut Only
STWE96	35	43
STWE120	53	n/a

PRODUCT DETAILS

- STWE96 not available in Melamine, PureStyle™, Acrylic, Echo Wood, and Thermofoil
- STWE120 only available in Oak, Maple, and Cherry
- Mouldings for Melamine and Acrylic door styles are limited to SBM, SBMLR, SACMPLAIN, and SHKRFBM

Traditional Wood Edge Cleat & Plain

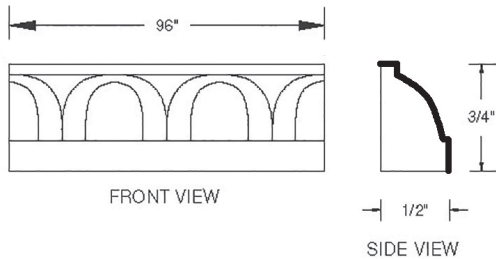


	Pricing	Walnut Only
TWE96CLEAT	37	45
TWE120CLEAT	56	n/a
TWE96PLAIN	37	45
TWE120PLAIN	56	n/a

PRODUCT DETAILS

- TWE96CLEAT/PLAIN not available in Melamine, PureStyle™, Echo Wood, Acrylic, or Thermofoil
- TWE120CLEAT/PLAIN only available in Oak, Maple, and Cherry
- Mouldings for Melamine and Acrylic door styles are limited to SBM, SBMLR, SACMPLAIN, and SHKRFBM

Egg and Dart Moulding

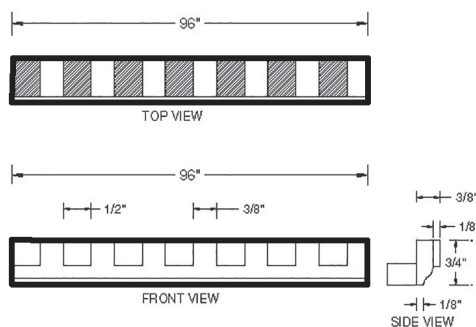


	Pricing
EDM96	166

PRODUCT DETAILS

- Only available in Oak, Maple, and Cherry
- Mouldings for Melamine and Acrylic door styles are limited to SBM, SBMLR, SACMPLAIN, and SHKRFBM

Dentil Moulding



	Pricing
DM96	173

PRODUCT DETAILS

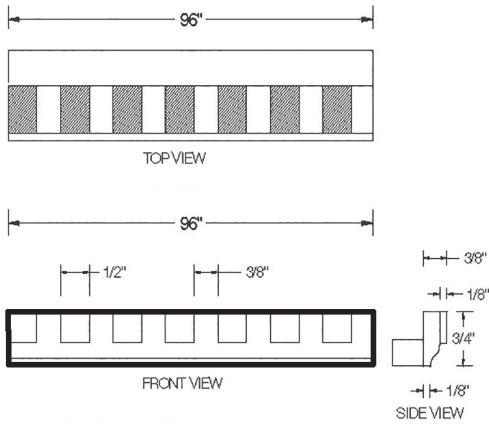
- Only available in Oak, Maple, and Cherry
- Mouldings for Melamine and Acrylic door styles are limited to SBM, SBMLR, SACMPLAIN, and SHKRFBM

Dentil Moulding with Nailer Strip

DMN96

Pricing

200



PRODUCT DETAILS

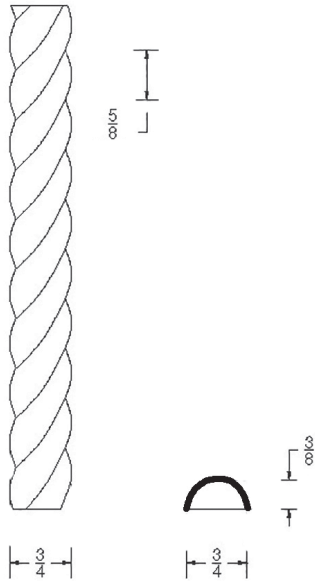
- Only available in Oak, Maple, and Cherry
- Mouldings for Melamine and Acrylic door styles are limited to SBM, SBMLR, SACMPLAIN, and SHKRFBM

Rope Moulding - Small

RM96

Pricing

166



PRODUCT DETAILS

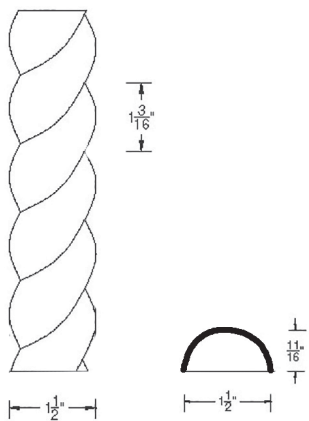
- Only available in Oak, Maple, and Cherry
- Mouldings for Melamine and Acrylic door styles are limited to SBM, SBMLR, SACMPLAIN, and SHKRFBM

Rope Moulding - Large

LRM96

Pricing

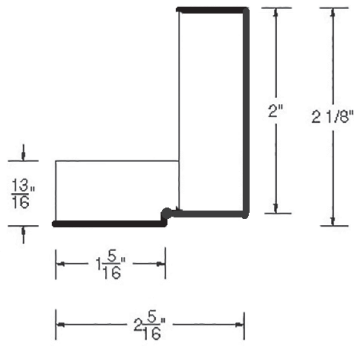
250



PRODUCT DETAILS

- Only available in Oak, Maple, and Cherry
- Mouldings for Melamine and Acrylic door styles are limited to SBM, SBMLR, SACMPLAIN, and SHKRFBM

Submoulding 2"

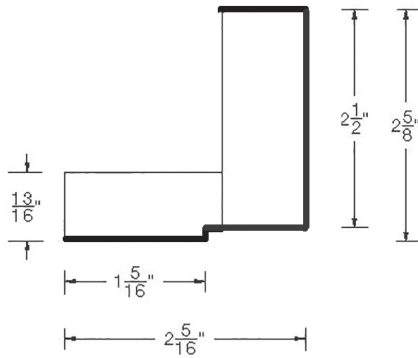


	Pricing	Walnut Only
SBM296	87	105
SBM2120	130	n/a

PRODUCT DETAILS

- SBM296 not available in Thermofoil and PureStyle™
- SBM2120 only available in Oak, Maple, and Cherry
- Mouldings for Melamine and Acrylic door styles are limited to SBM, SBMLR, SACMPLAIN, and SHKRFBM
- Available in Melamine 96" long only - price point 2
Acrylic 96" long only - price point 6
- Melamine and Acrylic not available in 120" length

Submoulding 2 1/2"

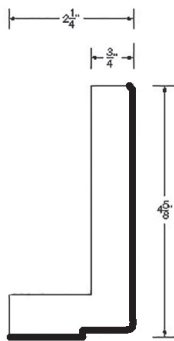


	Pricing	Walnut Only
SBM2.596	87	105
SBM2.5120	130	n/a

PRODUCT DETAILS

- SBM2.596 not available in Thermofoil and PureStyle™
- SBM2.5120 only available in Oak, Maple, and Cherry
- Mouldings for Melamine and Acrylic door styles are limited to SBM, SBMLR, SACMPLAIN, and SHKRFBM
- Available in Melamine 96" long only - price point 2
Acrylic 96" long only - price point 6
- Melamine and Acrylic not available in 120" length

Submoulding 4 1/2"

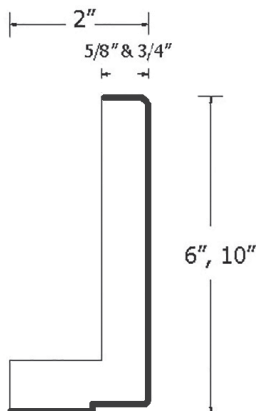


	Pricing	Walnut Only
SBM4.596	205	245
SBM4.5120	308	n/a

PRODUCT DETAILS

- SBM4.596 not available in Thermofoil and PureStyle™
- SBM4.5120 only available in Oak, Maple, and Cherry
- Mouldings for Melamine and Acrylic door styles are limited to SBM, SBMLR, SACMPLAIN, and SHKRFBM
- Available in Melamine 96" long only - price point 2
Acrylic 96" long only - price point 6
- Melamine and acrylic not available in 120" length

Submoulding 6" & 10"

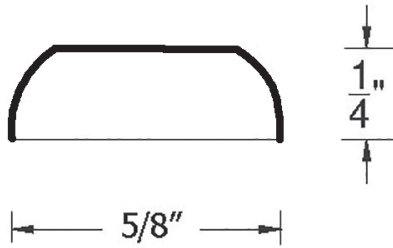


	Pricing	Walnut Only
SBM696	546	655
SBM6120	821	n/a
SBM1096	910	1092
SBM10120	1368	n/a

PRODUCT DETAILS

- SBM696 and SBM1069 not available in Thermofoil and PureStyle™
- SBM6120 and SBM10120 only available in Oak, Maple, and Cherry
- Mouldings for Melamine and Acrylic door styles are limited to SBM, SBMLR, SACMPLAIN, and SHKRFBM
- Available in Melamine 96" long only - price point 2
Acrylic 96" long only - price point 6
- Melamine and Acrylic not available in 120" length
- 6"=solid wood, larger sizes are Veneer or Melamine

Base Panel Moulding - Small

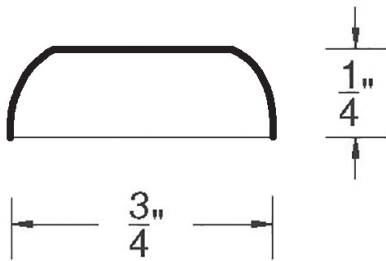


	Pricing	Walnut Only
SBPM36	25	30
SBPM96	37	45
SBPM120	56	n/a

PRODUCT DETAILS

- SBPM120 only available in Oak, Maple, and Cherry
- SBPM36 and SBPM96 not available in Echo Wood, Acrylic, Melamine, PureStyle™, and Thermofoil
- Mouldings for Melamine and Acrylic door styles are limited to SBM, SBMLR, SACMPLAIN, and SHKRFBM

Base Panel Moulding

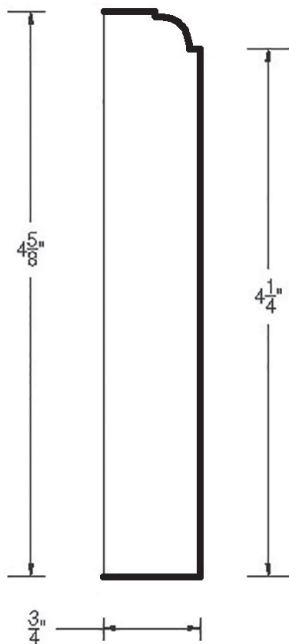


	Pricing	Walnut Only
BPM36	25	30
BPM96	37	45
BPM120	56	n/a

PRODUCT DETAILS

- BPM120 only available in Oak, Maple, and Cherry
- BPM36 and BPM96 not available in Echo Wood, Acrylic, Melamine, PureStyle™, or Thermofoil
- Mouldings for Melamine and Acrylic door styles are limited to SBM, SBMLR, SACMPLAIN, and SHKRFBM

Base Moulding - Standard Furniture

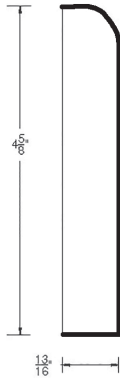


	Pricing	Walnut Only
STDFBM96	110	132
STDFBM120	138	n/a

PRODUCT DETAILS

- STDFBM120 only available in Oak, Maple, and Cherry
- STDFBM96 not available in Echo Wood, Acrylic, Melamine, PureStyle™, and Thermofoil
- Mouldings for Melamine and Acrylic door styles are limited to SBM, SBMLR, SACMPLAIN, and SHKRFBM

Base Moulding - Shaker Furniture



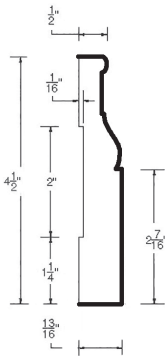
SHKRFBM96

Pricing	Walnut Only
110	132

PRODUCT DETAILS

- Profile will be square
- Not available in Echo Wood, Thermofoil, or PureStyle™
- Available in: Melamine - Price Point 2
Acrylic - Price Point 6

Base Moulding - Fancy Furniture



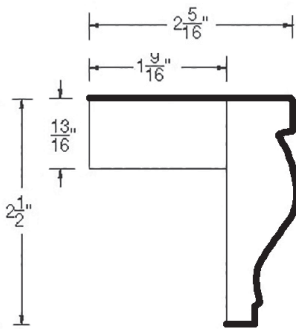
MTRDFBM96

Pricing	Walnut Only
249	298

PRODUCT DETAILS

- Not available in Echo Wood, Acrylic, Melamine, PureStyle™, or Thermofoil
- Mouldings for Melamine and Acrylic door styles are limited to SBM, SBMLR, SACMPLAIN, and SHKRFBM

Light Rail - Heavy Soffit Moulding



HSMLR96

Pricing	Walnut Only
110	132

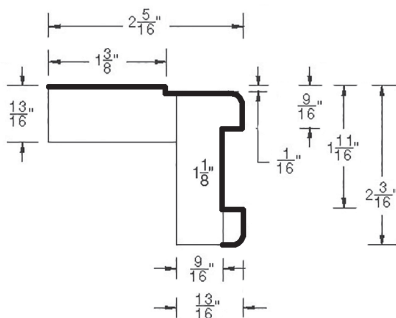
HSMLR120

165	n/a
-----	-----

PRODUCT DETAILS

- HSMLR96 not available in Echo Wood, Acrylic, Melamine, PureStyle™, or Thermofoil
- HSMLR120 only available in Oak, Maple, and Cherry
- Mouldings for Melamine and Acrylic door styles are limited to SBM, SBMLR, SACMPLAIN, and SHKRFBM

Light Rail - Straight



SLR96

Pricing	Walnut Only
87	105

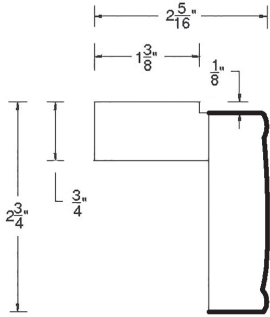
SLR120

130	n/a
-----	-----

PRODUCT DETAILS

- SLR96 not available in Echo Wood, Acrylic, Melamine, PureStyle™, or Thermofoil
- SLR120 only available in Oak, Maple, and Cherry
- Mouldings for Melamine and Acrylic door styles are limited to SBM, SBMLR, SACMPLAIN, and SHKRFBM

Light Rail - Miter

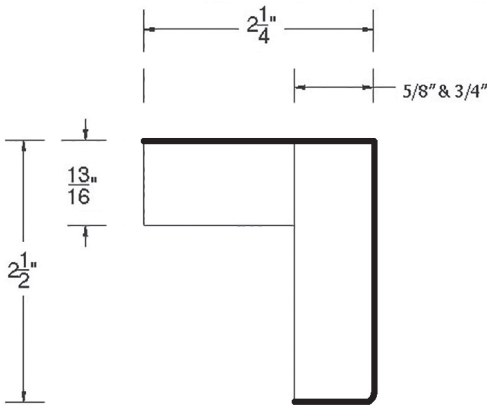


	Pricing	Walnut Only
MLR96	81	98
MLR120	122	n/a

PRODUCT DETAILS

- MLR96 not available in Echo Wood, Acrylic, Melamine, PureStyle™, or Thermofoil
- MLR120 only available in Oak, Maple, and Cherry
- Mouldings for Melamine and Acrylic door styles are limited to SBM, SBMLR, SACMPLAIN, and SHKRFBM

Light Rail - Submoulding



	Pricing	Walnut Only
SBMLR1.596	87	105
SBMLR296	87	105
SBMLR2.596	87	105
SBMLR1.5120	130	n/a
SBMLR2120	130	n/a
SBMLR2.5120	130	n/a

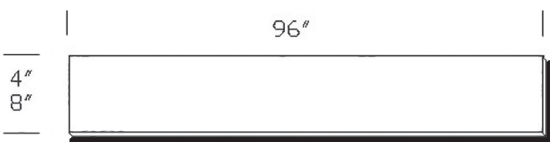
PRODUCT DETAILS

- SBMLR1.596, SBMLR296, and SBMLR2.596 are not available in Thermofoil or PureStyle™
- SBMLR1.5120, 2120, & 2.5120 only available in Oak, Maple, and Cherry
- Available in Melamine 96" long only - price point 2
Acrylic 96" long only - price point 6
- Melamine and Acrylic not available in 120" length

DESIGN CONSIDERATIONS

- This moulding can be inverted and used as a starter crown moulding as well.

Light Valance - Wood and Melamine



	Pricing	Walnut Only
PLV48	63	76
PLV96	114	137
PV48	93	111
PV96	158	189
MPLV60	30	30
MPLV96	42	42

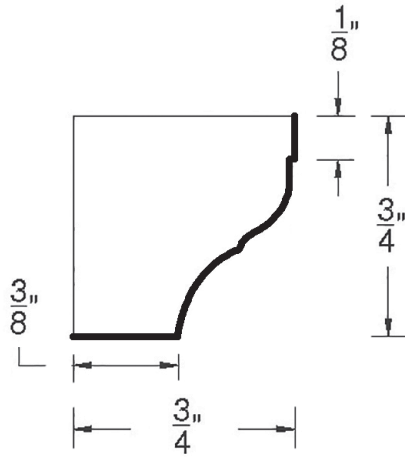
PRODUCT DETAILS

- PLV = 4" high, PV = 8" high (not available in Acrylic, PureStyle™, or Thermofoil)
- PV, PLV = 3/4" solid wood (not available in Acrylic, PureStyle™, or Thermofoil)
- MPLV = 5/8" Melamine, Acrylic, PureStyle™ or Thermofoil
- Mouldings for Melamine and Acrylic door styles are limited to SBM, SBMLR, SACMPLAIN, and SHKRFBM

DESIGN CONSIDERATIONS

- Does not come finished at the ends

Soffit Moulding

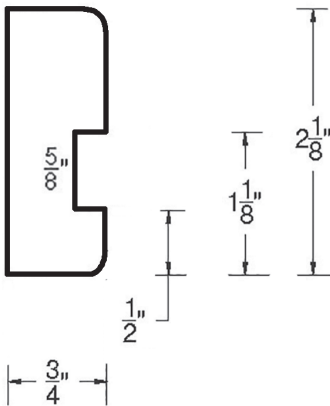


	Pricing	Walnut Only
SM96	46	55
SM120	69	n/a

PRODUCT DETAILS

- SM96 not available in Echo Wood, Acrylic, Melamine, PureStyle™, or Thermofoil
- SM120 only available in Oak, Maple, and Cherry
- Mouldings for Melamine and Acrylic door styles are limited to SBM, SBMLR, SACMPLAIN, and SHKRFBM

Soffit Track - Straight

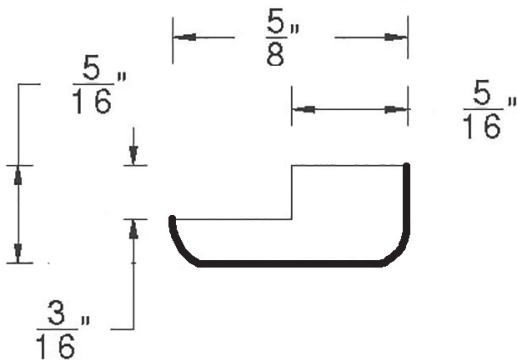


	Pricing	Walnut Only
SST96	81	98
SST120	122	n/a

PRODUCT DETAILS

- SST96 not available in Echo Wood, Acrylic, Melamine, PureStyle™, or Thermofoil
- SST120 only available in Oak, Maple, and Cherry
- Mouldings for Melamine and Acrylic door styles are limited to SBM, SBMLR, SACMPLAIN, and SHKRFBM

Under Panel Moulding

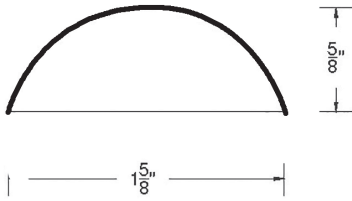


	Pricing	Walnut Only
UPM36	25	30
UPM96	37	45
UPM120	56	n/a

PRODUCT DETAILS

- UPM36 and UPM96 not available in Echo Wood, Acrylic, Melamine, PureStyle™, or Thermofoil
- UPM120 only available in Oak, Maple, and Cherry
- Mouldings for Melamine and Acrylic door styles are limited to SBM, SBMLR, SACMPLAIN, and SHKRFBM

Bull Nose Moulding

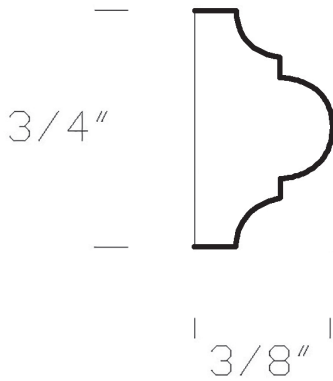


	Pricing	Walnut Only
BNM96	71	85
BNM120	105	n/a

PRODUCT DETAILS

- BNM96 not available in Echo Wood, Acrylic, Melamine, PureStyle™, or Thermofoil
- BNM120 only available in Oak, Maple, and Cherry
- Mouldings for Melamine and Acrylic door styles are limited to SBM, SBMLR, SACMPLAIN, and SHKRFBM

Chair Rail Moulding

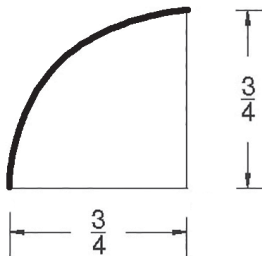


	Pricing	Walnut Only
CHM96	104	n/a

PRODUCT DETAILS

- CHM96 only available in Oak, Maple, and Cherry
- Mouldings for Melamine and Acrylic door styles are limited to SBM, SBMLR, SACMPLAIN, and SHKRFBM

Quarter Round Moulding

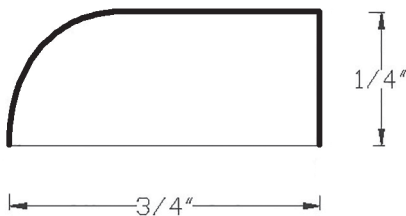


	Pricing	Walnut Only
QRM96	73	87
QRM120	109	n/a

PRODUCT DETAILS

- QRM96 not available in Echo Wood, Acrylic, Melamine, PureStyle™, or Thermofoil
- QRM120 only available in Oak, Maple, and Cherry
- Mouldings for Melamine and Acrylic door styles are limited to SBM, SBMLR, SACMPLAIN, and SHKRFBM

Scribe Moulding

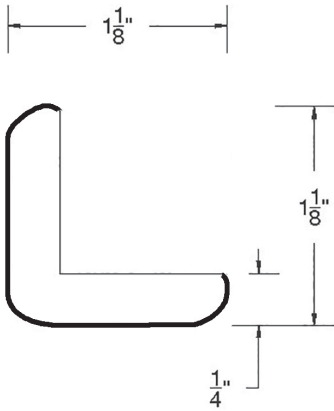


	Pricing	Walnut Only
SCM96	42	50
SCM120	62	n/a

PRODUCT DETAILS

- SCM96 not available in Echo Wood, Acrylic, Melamine, PureStyle™, and Thermofoil
- SCM120 only available in Oak, Maple, and Cherry
- Mouldings for Melamine and Acrylic door styles are limited to SBM, SBMLR, SACMPLAIN, and SHKRFBM

Corner Moulding

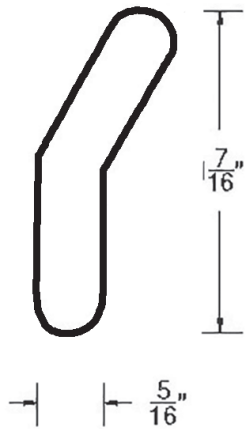


	Pricing	Walnut Only
CM36	32	38
CM96	47	56
CM120	70	n/a

PRODUCT DETAILS

- CM36 and CM96 not available in Echo Wood, Acrylic, Melamine, PureStyle™, or Thermofoil
- CM120 only available in Oak, Maple, and Cherry
- Mouldings for Melamine and Acrylic door styles are limited to SBM, SBMLR, SACMPLAIN, and SHKRFBM

Corner Moulding 135°

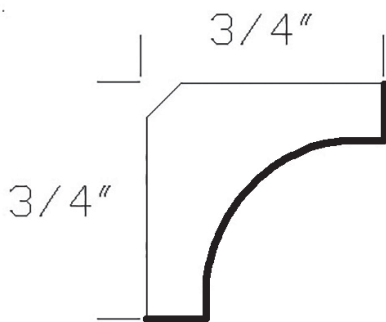


	Pricing	Walnut Only
CM13596	73	87
CM135120	109	n/a

PRODUCT DETAILS

- CM13596 not available in Echo Wood, Acrylic, Melamine, PureStyle™, or Thermofoil
- CM135120 only available in Oak, Maple, and Cherry
- Mouldings for Melamine and Acrylic door styles are limited to SBM, SBMLR, SACMPLAIN, and SHKRFBM

Inside Corner Moulding



	Pricing	Walnut Only
ICM96	73	87
ICM120	109	n/a

PRODUCT DETAILS

- ICM96 not available in Echo Wood, Acrylic, Melamine, PureStyle™, or Thermofoil
- ICM120 only available in Oak, Maple, and Cherry
- Mouldings for Melamine and Acrylic door styles are limited to SBM, SBMLR, SACMPLAIN, and SHKRFBM

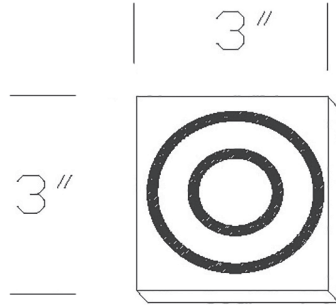
**Toekick - Wood, Melamine
and Veneer**

		Pricing
	TK96	80
	TK696	102
	TK996	145
	TK48	50
	MTK96	40
	MTK696	53
	MTK996	75
	PTK96	114
	PTK696	152
	PTK996	215

PRODUCT DETAILS

- TK = $\frac{3}{16}$ " thick Veneer
- MTK = $\frac{5}{8}$ " thick Melamine or Acrylic
- PTK = $\frac{5}{8}$ " thick Veneer, Melamine, or Acrylic
- Mouldings do not come finished on the ends
- Mouldings for Melamine and Acrylic door styles are limited to SBM, SBMLR, SACMPLAIN, and SHKRFBM
- Bamboo is only available in PTK96

Rosa



ROSA

Pricing

Walnut
Only

62

75

PRODUCT DETAILS

- Not available in Echo Wood, Acrylic, Melamine, PureStyle™, or Thermofoil

Onlay - Large



OL

Pricing

415

PRODUCT DETAILS

- 20¼"W x 2¾"H x ⅜"D
- Available in Oak, Maple, and Cherry

Onlay - Pair



OP

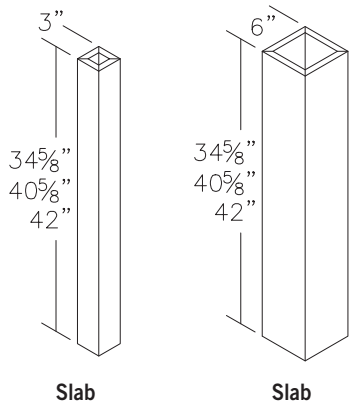
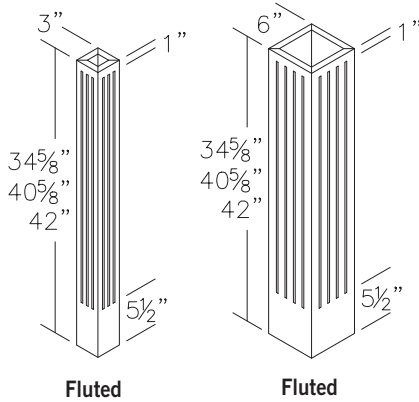
Pricing

415

PRODUCT DETAILS

- 8"W x 3½"H x ½"D each
- Available in Oak, Maple, and Cherry

Posts

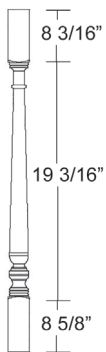


	Pricing	Walnut Only
FLP335	628	691
FLP340.625	758	834
FLP342	758	834
FLP635	783	861
FLP640.625	939	1033
FLP642	939	1033
SLP335	369	407
SLP340.625	444	489
SLP342	444	489
SLP635	475	523
SLP640.625	572	629
SLP642	572	629

PRODUCT DETAILS

- FLP = fluted
 - Solid wood fluted construction on all 4 sides
 - 3" wide has 3 flutes per side; 6" wide has 4 flutes per side
 - not available in Acrylic, Melamine, or PureStyle™
- SLP = slab
 - Solid wood fillers on all 4 sides
 - Available in Acrylic, Melamine, PureStyle™, and Thermofoil

Turn Post - Small

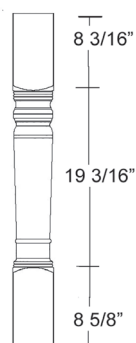


	Pricing
STP1.7536	902

PRODUCT DETAILS

- 1.75"W x 1.75"D x 36"H
- Available in Oak, Maple, and Cherry
- Add wood species after "STP"

Turn Post - Large



	Pricing
LTP4.536	902

PRODUCT DETAILS

- 4.5"W x 4.5"D x 36"H
- Available in Oak, Maple, and Cherry
- Add wood species after "LTP"

Split Turn Post - Small

Pricing

SSTP1.7536

742



PRODUCT DETAILS

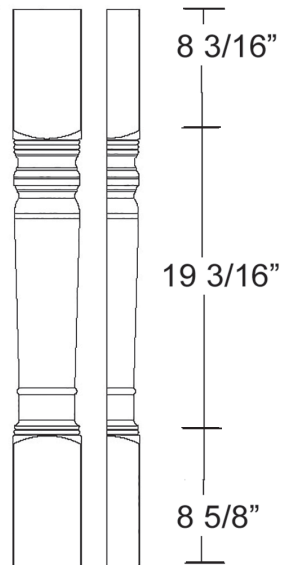
- 1.75"W x 0.75"D x 36"H
- Available in Oak, Maple, and Cherry
- Add wood species after "SSTP"

Split Turn Post - Large

Pricing

LSTP4.536

742

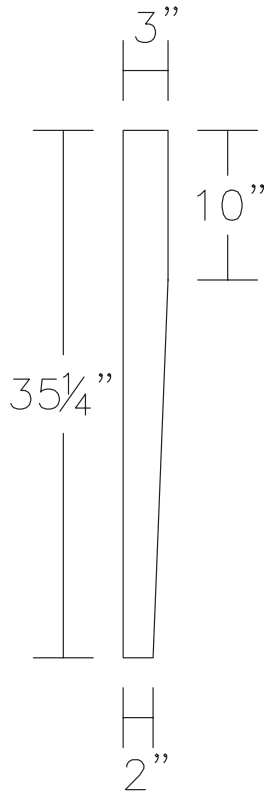


PRODUCT DETAILS

- 4.5"W x 2"D x 36"H
- Available in Oak, Maple, and Cherry
- Add wood species after "LSTP"

Leg - Transitional

Pricing



TSL2S35.25

838

TSL4S35.25

941

PRODUCT DETAILS

- 3"W x 3"D x 35.25"H
- Available in Oak, Maple, and Cherry

DESIGN CONSIDERATIONS

- TSL2S35.25 is subtly tapered on two sides

Leg - Queen Ann

Pricing

QAL

415



PRODUCT DETAILS

- 2.25"W x 2.25"D x 6"H
- Available in Oak, Maple, and Cherry

feet

Bun Foot - Small



SBF

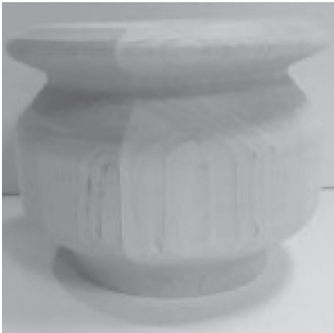
Pricing

320

PRODUCT DETAILS

- 2 $\frac{7}{8}$ "W x 4 $\frac{1}{2}$ "H
- Only available in Oak, Maple, and Cherry

Bun Foot - Large



LBF

Pricing

415

PRODUCT DETAILS

- 6"W x 4 $\frac{1}{2}$ "H
- Only available in Oak, Maple, and Cherry

Bun Foot - Square



SQBF

Pricing

389

PRODUCT DETAILS

- Top - 3 $\frac{1}{2}$ "W x 4 $\frac{1}{2}$ "H
- Bottom - 2 $\frac{1}{2}$ "W
- Only available in Oak, Maple, and Cherry

Dining Shelf Bracket - One Piece



OPCDSB

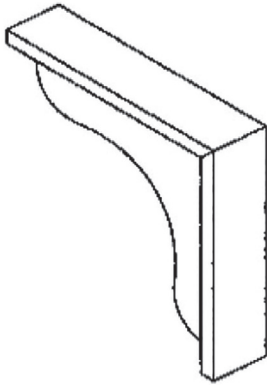
Pricing

324

PRODUCT DETAILS

- 1½"W x 9"D x 9"H
- Only available in Oak, Maple, and Cherry

Dining Shelf Bracket - Curved



CDSB6

Pricing

71

Walnut
Only

78

CDSB9

82

90

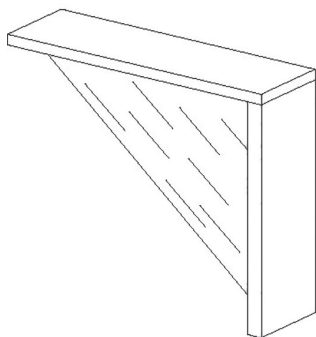
CDSB12

92

101

PRODUCT DETAILS

- Solid wood - center section is ¾" thick
- 2" wide
- Not available in Thermofoil, Melamine, PureStyle™, or Acrylic
- Can support up to 100 lbs

Dining Shelf Bracket Straight -
Wood and Melamine

SDSB6

Pricing

71

Walnut
Only

78

SDSB9

82

90

SDSB12

92

101

MDSB6

39

39

MDSB9

45

45

MDSB12

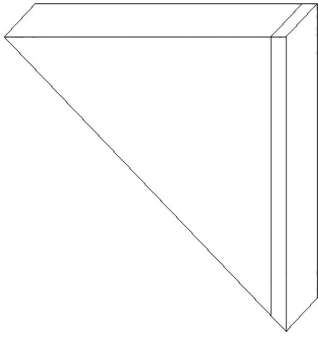
48

48

PRODUCT DETAILS

- SDS = Solid wood - center section is ¾" thick
- MDS = Melamine - center section is ⅝" thick
- 2" Wide
- Can support up to 100 lbs

Dining Shelf Bracket - Wide

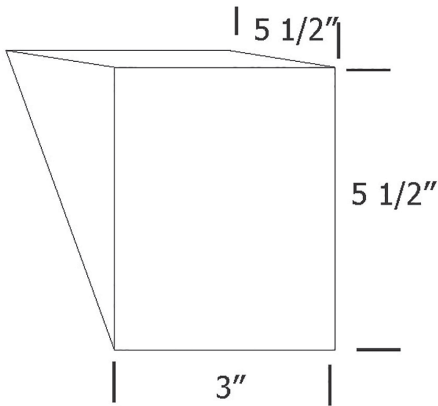


	Pricing	Walnut Only
MAC6	216	238
MAC9	238	262
MAC12	260	286

PRODUCT DETAILS

- Solid wood
- 2" wide
- Not available in Acrylic, Melamine, or PureStyle™

Dining Shelf Bracket - One Piece



	Pricing
OPSDSB	324

PRODUCT DETAILS

- Solid wood
- Not available in Walnut, Acrylic, Melamine, or PureStyle™

Corbel - Narrow



NC

Pricing

667

PRODUCT DETAILS

- 10"H x 3"W x 7½"D
- Available in Oak, Maple, and Cherry

Corbel - Craftsman



CC812

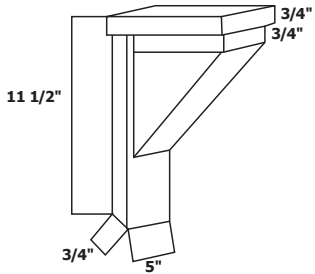
Pricing

973

PRODUCT DETAILS

- 10"H x 3½"W x 5"D
- Available in Oak, Maple, and Cherry

Corbel - Angle



AACC

Pricing

379

PRODUCT DETAILS

- 11½"H x 5"W x 7½"D
- Available in Oak, Maple, and Cherry

Corbel - Small



SC

Pricing

502

PRODUCT DETAILS

- 7½"H x 3¼"W x 4"D
- Available in Oak, Maple, and Cherry

Corbel - Large



LC

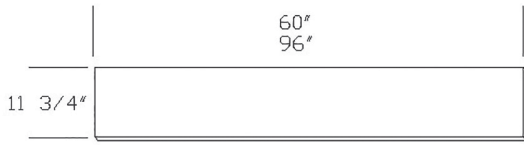
Pricing

641

PRODUCT DETAILS

- 9¾"H x 4¾"W x 5½"D
- Available in Oak and Maple only

Valance - Close



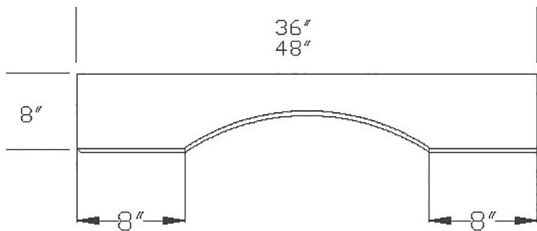
Pricing

VC60	56
VC96	83

PRODUCT DETAILS

- 5/8" Melamine 2 sides, 1 side always white
- No taped edges
- Also available in Melamine, PureStyle™, and Acrylic
- Not available in Thermofoil

Valance - Arch



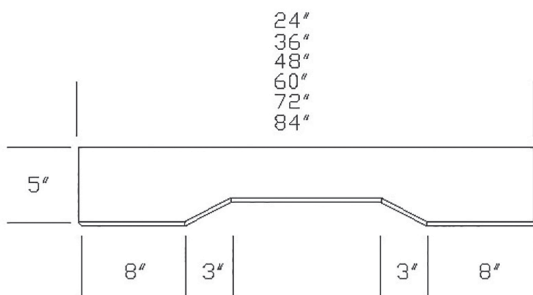
Pricing

AV36	216
AV48	246

PRODUCT DETAILS

- 3/4" solid wood
- Finished on front and all sides
- Also available in Melamine, PureStyle™, and Acrylic

Valance - Traditional



Pricing

TV24	114
TV36	145
TV48	163
TV60	175
TV72	196
TV84	214

PRODUCT DETAILS

- 3/4" solid wood
- Finished on front and all sides
- Not available in Echo Wood, Thermofoil, or PureStyle™

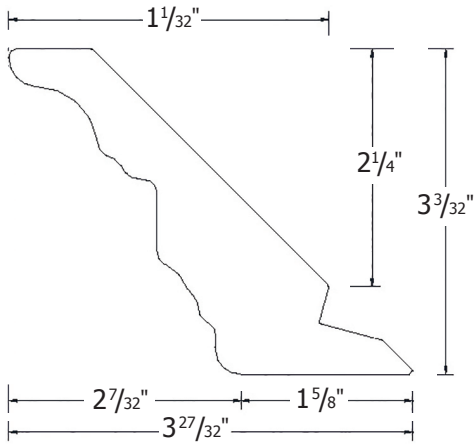
thermofoil

Thermofoil Crown Moulding - Classic

Pricing

T-CCM96

270

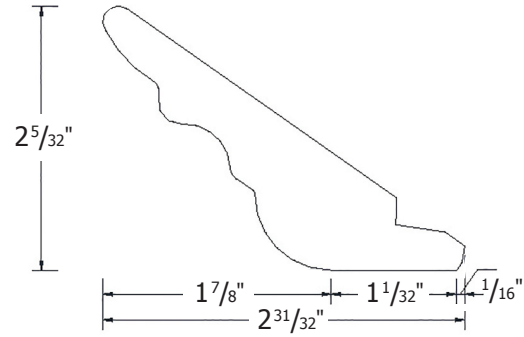


Thermofoil Crown Moulding Cleat

Pricing

T-CRM96CLEAT

270

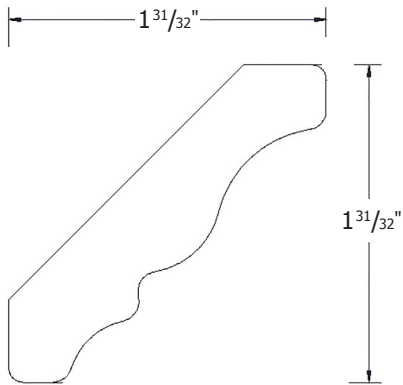


Thermofoil Crown Moulding Plain - Traditional

Pricing

T-TCRM96PLAIN

188

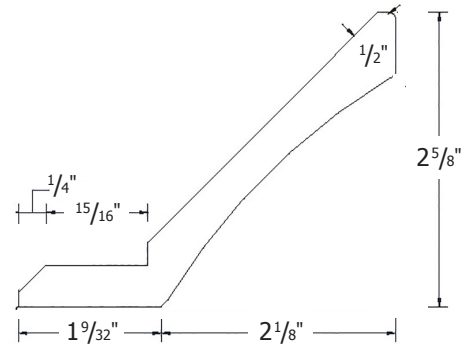


Thermofoil Crown Moulding Cleat - Medium

Pricing

T-MCRM96CLEAT

245

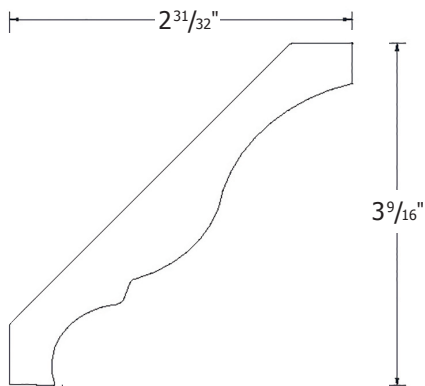


Thermofoil Crown Moulding Plain - Large

Pricing

T-LCRM96PLAIN

270

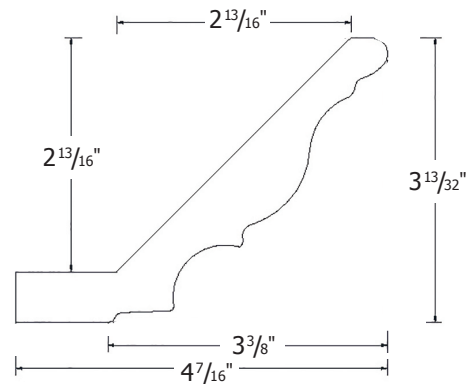


Thermofoil Crown Moulding Cleat - Heavy

Pricing

T-HCRM96CLEAT

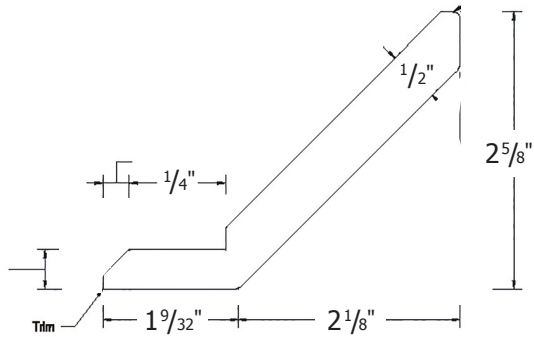
272



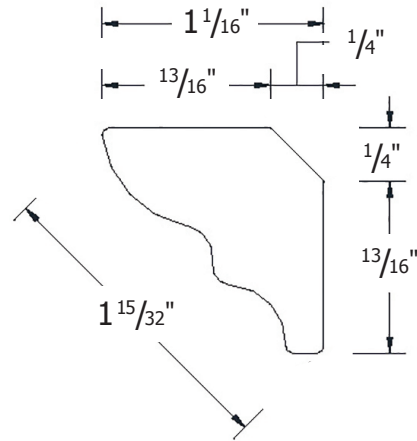
Available in Thermofoil door styles only. Moulding cannot be modified. Maximum length is 96".

thermofoil

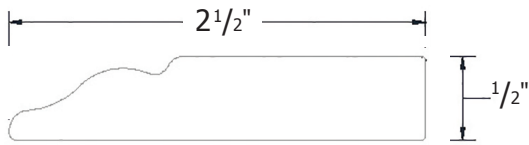
Thermofoil Angle Crown Moulding Cleat - Large		Pricing
T-LSACM96CLEAT	272	



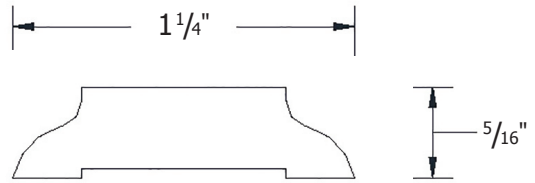
Thermofoil Moulding - Soffit		Pricing
T-SM96	55	



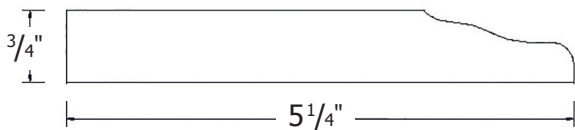
Thermofoil Furniture Base Moulding - Small		Pricing
T-SFBM96	132	



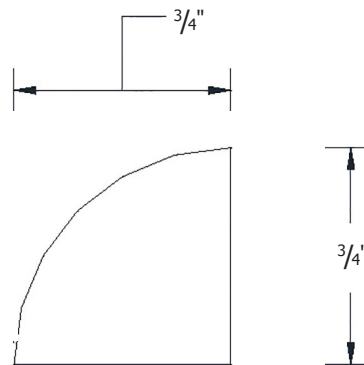
Thermofoil Moulding - Batten		Pricing
T-BAT96	85	



Thermofoil Furniture Base Moulding - Large		Pricing
T-LFBM96	298	



Thermofoil Moulding - Quarter Round		Pricing
T-QRM96	87	



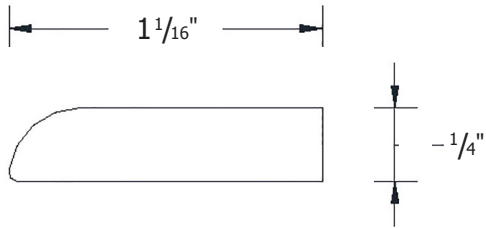
Available in Thermofoil door styles only. Moulding cannot be modified. Maximum length is 96".

Thermofoil Moulding - Scribe

Pricing

T-SCM96

71

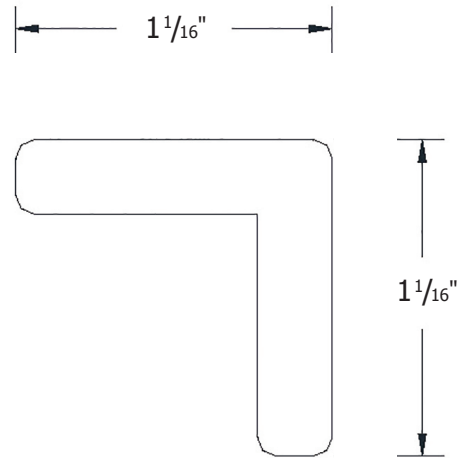


Thermofoil Corner Moulding - Large

Pricing

T-LCM96

112

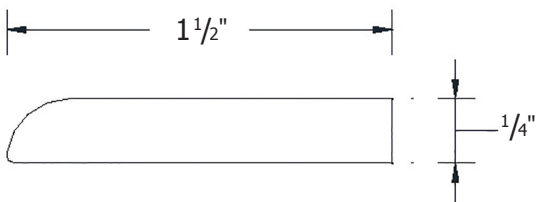


Thermofoil Moulding Scribe - Large

Pricing

T-LSCM96

112



PRODUCT DETAIL

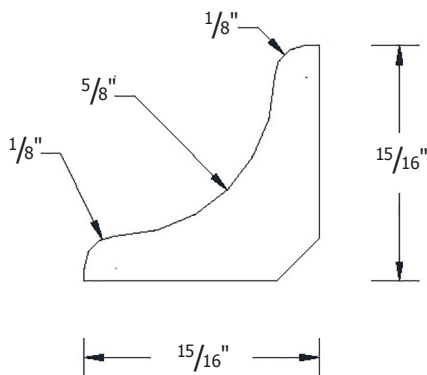
- Not available over 96" in length

Thermofoil Moulding - Inside Corner

Pricing

T-ICM96

87



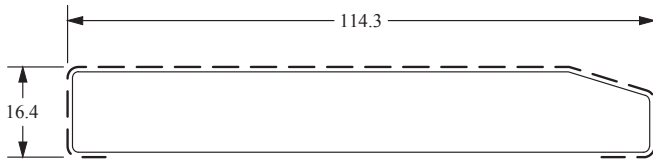
Available in Thermofoil door styles only. Moulding cannot be modified. Maximum length is 96".

PureStyle™ Furniture Base Moulding

Pricing

D-FBM96

110

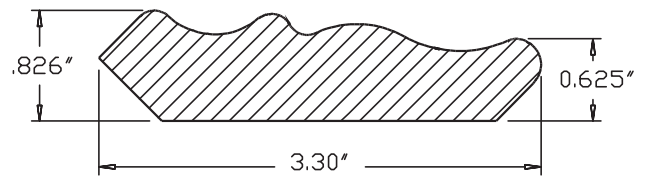


PureStyle™ Crown Moulding Plain - Traditional

Pricing

D-TCRM96PLAIN

157



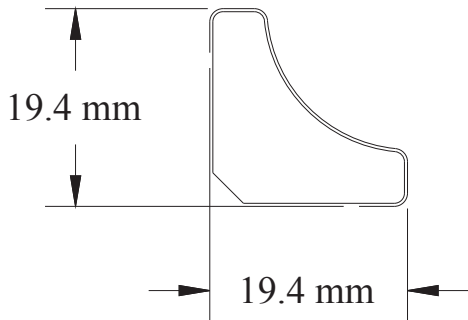
D-TCRM96PLAIN

PureStyle™ Moulding - Inside Corner

Pricing

D-ICM96

110

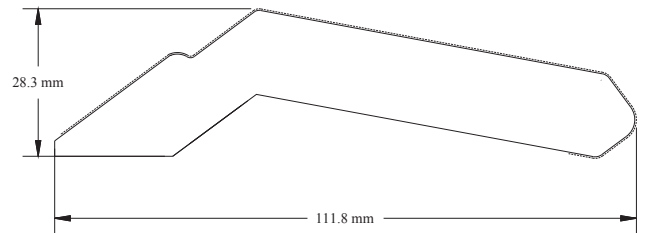


PureStyle™ Angle Crown Moulding Cleat - Large

Pricing

D-LSACM96CLEAT

227

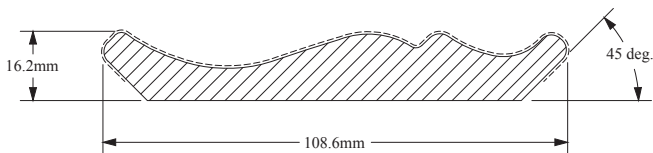


PureStyle™ Crown Moulding Plain - Large

Pricing

D-LCRM96PLAIN

362

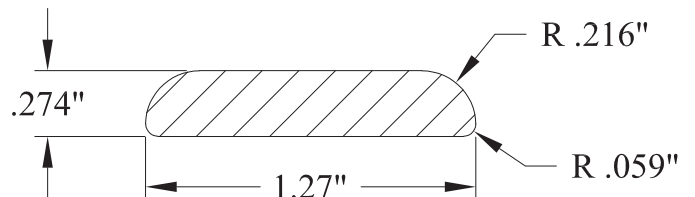


PureStyle™ Moulding Scribe - Large

Pricing

D-LSCM96

112

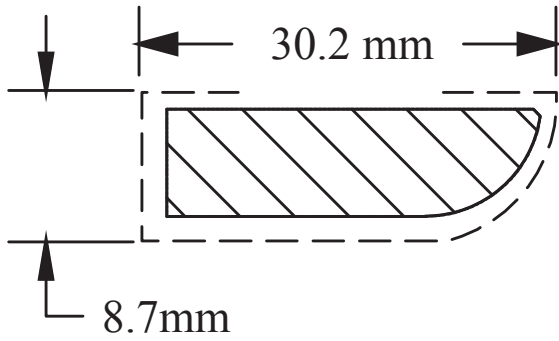


PureStyle™ Moulding - Scribe

Pricing

D-SCM96

42

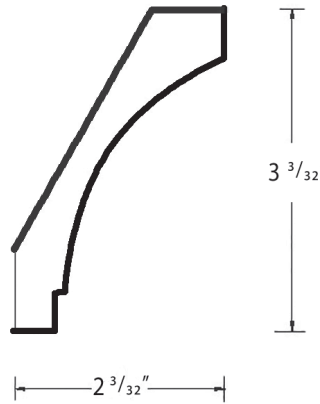


PureStyle™ Medium Crown Moulding - Plain

Pricing

D-MCRM96PLAIN

119

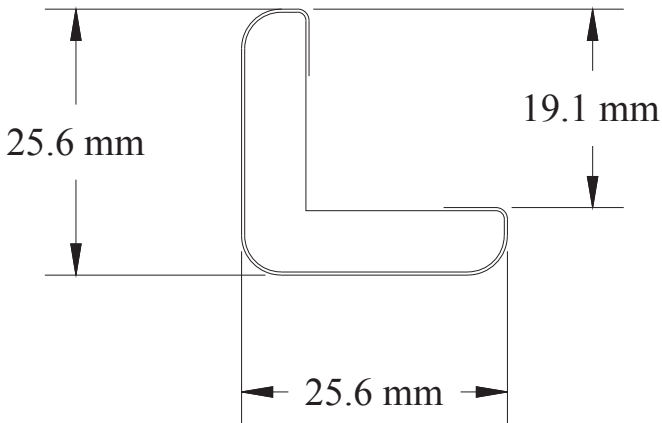


PureStyle™ Corner Moulding - Large

Pricing

D-LCM96

112

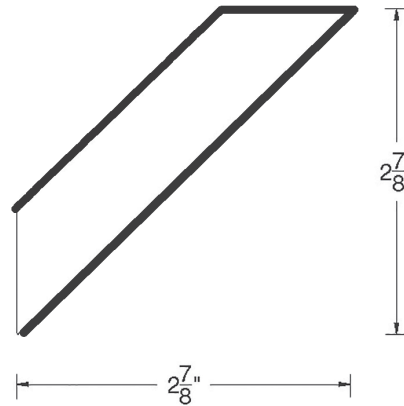


PureStyle™ Medium Angle Crown Moulding - Plain

Pricing

D-MSACM96PLAIN

110

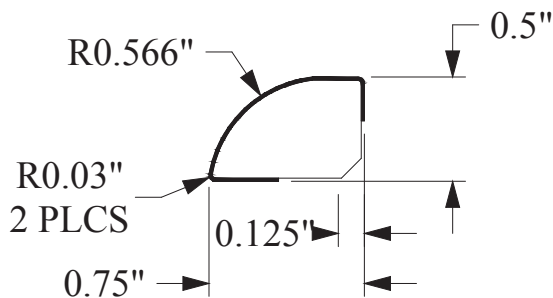


PureStyle™ Moulding - Quarter Round

Pricing

D-QRM96

73

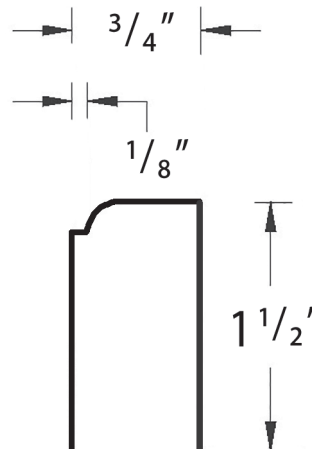


PureStyle™ Traditional Wood Edge

Pricing

D-TWE96PLAIN

70



Available in PureStyle™ door styles only. Moulding cannot be modified. Maximum length is 96".

Storage

Adjustable Shelves	S.7
Base 6" Pull Out.....	S.5
Base 6" Pull Out - Towel Holder.....	S.4
Base 9" & 12" Pull Out.....	S.5
Base Recycling Center	S.4
Easy Glide Base Rollout	S.5
Cutlery Tray - Birch.....	S.2
Cutlery Tray - White	S.2
Double Cutlery Tray.....	S.2
Double Wall Cutlery Tray - Grey.....	S.2
Double Wall Knife Block Insert.....	S.3
Double Waste Bin.....	S.4
Floating Shelves.....	S.7
Floating Spin Trays - White	S.5
Hanging File System.....	S.3
Pantry Pull Out - ¾ & Full Height	S.5
Pot and Pan Pullout Hardware	S.7
Pot and Pan Pullout Hardware Hooks	S.7
Round Waste Bin.....	S.3
Single Waste Bin c/w Lid.....	S.3
Sliding Utility Basket Pull Out	S.4
Spice Rack Door Mount.....	S.2
Spice Tray - White.....	S.2
Spin Trays - D Shape Wood.....	S.6
Spin Trays - Full Round White.....	S.6
Spin Trays - Pie Cut White.....	S.5
Spin Trays - Pie Cut Wood.....	S.6
Spin Trays - White Plastic 18"	S.6
Spin Trays - Wood 18"	S.6
Super Susan - Wood.....	S.6
Super Susan - Wood with Pullout.....	S.7
Tilt Outs - White.....	S.2
Towel Rod - White.....	S.3
Tray Dividers.....	S.3
Waste Bin - 12".....	S.4
Waste Bin 15" & 18"	S.4

Cutlery Tray - Birch

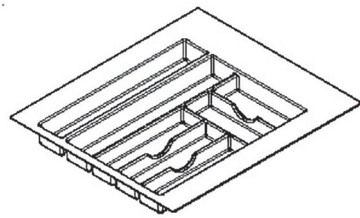


	Pricing
BCT18	265
BCT24	352
BCT30	455
BCT36	524

PRODUCT DETAILS

- Installed
- Made of birch
- Easily trimmed to fit most drawers

Cutlery Tray - White



	Pricing
CT15	77
CT18	95
CT21	115
CT24	133

PRODUCT DETAILS

- Installed
- Made of plastic
- Easily trimmed to fit most drawers

Double Cutlery Tray

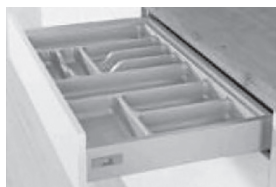


	Pricing
TT15	271
TT18	291
TT21	313
TT24	328

PRODUCT DETAILS

- Installed
- Made of plastic
- Comes with cutlery tray (CT)

Double Wall Cutlery Tray - Grey

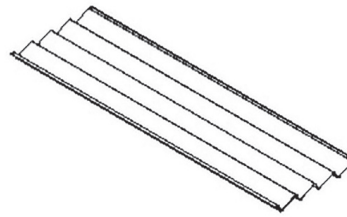


	Pricing
DWCT15	102
DWCT18	112
DWCT21	135
DWCT24	146
DWCT30	179
DWCT33	202
DWCT36	225

PRODUCT DETAILS

- Installed
- Made of plastic; silver in color
- DWCT33 and DWCT36 are wide enough to accommodate two DWKB knife blocks (page S.3)

Spice Tray - White



	Pricing
SPT9	54
SPT10.5	62
SPT12	72
SPT13.5	81
SPT15	89
SPT16.5	99
SPT18	108
SPT19.5	116
SPT21	126
SPT24	144

PRODUCT DETAILS

- Installed
- Made of plastic; white in color

Spice Rack Door Mount - Wood



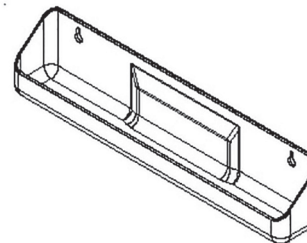
	Pricing
SR1230	223
SR1530	238
SR1830	254
SR2130	270
SR1236	238
SR1536	254
SR1836	270
SR2136	285
SR1240.5	254
SR1540.5	270
SR1840.5	285
SR2140.5	301

Width:	Height:
SR12_ = 7.5"	SR_30 = 28"
SR15_ = 10.5"	SR_36 = 34"
SR18_ = 13.5"	SR_40.5 = 38.5"
SR21_ = 16.5"	

PRODUCT DETAILS

- Installed
- Made of birch
- Adjustable shelves in cabinets will be reduced in depth to accommodate the spice rack

Tilt Outs - White



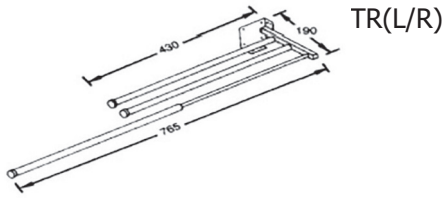
	Pricing
TO12	134
TO13.5	134
TO15	134
TO18	134
TO21	134
TO24	134

PRODUCT DETAILS

- Installed
- Made of plastic; white in color

Towel Rod - White

Pricing



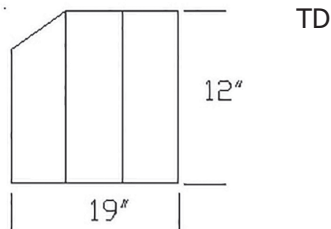
148

PRODUCT DETAILS

- Installed
- Will fit in any sink unit

Tray Dividers - Chrome

Pricing



83

PRODUCT DETAILS

- Supply only
- Made of chrome

Hanging File System

Pricing



HFS

81

PRODUCT DETAILS

- Installed
- Made of steel, nickel plated and grey in color
- Available with SWS drawer only

Double Wall Knife Block Insert

Pricing



DWKB

191

PRODUCT DETAILS

- Installed
- For use with 21" and wide DWCT cutlery trays (page S.2)

Round Waste Bin

Pricing



RWB

296

PRODUCT DETAILS

- Installed
- White in color
- 15.9 qt/15L container will fit in SB33 and larger width units

Single Waste Bin with Lid

Pricing



SWB12

960

PRODUCT DETAILS

- Installed
- Door mount
- One 42.2qt/39.9L container and one 8.9qt/8.4L container
- Designed to fit in B12 with a minimum interior depth of 20¾"
- Comes with full extension soft close glides

Single Waste Bin with Lid

Pricing



SWB15

997

PRODUCT DETAILS

- Installed
- Door mount
- One 42.2qt/39.9L container and one 8.9qt/8.4L container
- Designed to fit in B15 with a minimum interior depth of 22½"
- Comes with full extension soft close glides

Double Waste Bin

Pricing



DWB18	1128
DWB21	1166

PRODUCT DETAILS

- Installed
- Two 36.9qt/35L containers
- Minimum interior depth required is 20¾"
- Comes with full extension soft close glides

Base Recycling Center

Pricing



RCC	1512
-----	------

PRODUCT DETAILS

- Installed
- Door mount
- 2 x 36.9 and 1 x 22.1 quart (or 2 x 35 and 1 x 21 litre) containers
- Minimum interior depth required is 20¾"
- Comes with full extension soft close glides

Waste Bin Door Mount - 12"

Pricing



SPOWB12	473
---------	-----

PRODUCT DETAILS

- Installed
- Door mount
- Chrome frame
- Black bin
- 33.7 quart/32 litre container
- Minimum interior depth required is 22½"
- Slides are full extension
- Not available with soft close glides

Sliding Utility Basket Pull Out

Pricing



UB	1842
----	------

PRODUCT DETAILS

- Installed
- Made of chrome
- Used with SB30 and larger width units
- Minimum interior depth required is 20¾"

Waste Bin Door Mount - 15" and 18"

Pricing



DPOWB15	708
DPOWB18	708

PRODUCT DETAILS

- Installed
- Door mount
- Chrome frame
- Black bins
- 2 x 36.9 quart (or 2 x 35 litre) containers
- Minimum interior depth required is 22½"
- Slides are full extension
- Not available with soft close glides

Base 6" Pull Out - Towel Holder

Pricing



POBTB	760
-------	-----

PRODUCT DETAILS

- Installed
- Right hand side only
- Minimum interior depth required is 20¾"
- Comes with full extension soft close glides

Base 6" Pull Out

Pricing



POB6

770

PRODUCT DETAILS

- Installed
- Made of steel, chrome
- Shelves are not adjustable
- Basket capacity of 12kg; slide load
- Capacity of 30 kg
- Use with B6FH
- Minimum interior depth required is 20¾"
- Comes with full extension soft close glides

Base 9" and 12" Pull Out

Pricing



POB9(L/R) 840

POB12(L/R) 892

PRODUCT DETAILS

- Installed
- Made of steel, chrome
- Both shelves are adjustable
- Used with B9 and B12
- Minimum interior depth required is 20¾"
- Comes with full extension soft close glides

Pantry Pull Out - ¾ and Full Height

Pricing



PP12FH 2981

PP18FH 2981

PP12-¾ 2981

PP18-¾ 2981

Picture shows full height unit

PRODUCT DETAILS

- Installed
- Interior hardware is chrome
- On full height door units, doors are pinned together and operate as one
- On ¾" height, top door opens independently
- Comes with full extension soft close glides

Easy Glide Base Rollout

Pricing



LBCL 2362

LBCR 2362

PRODUCT DETAILS

- Installed
- White melamine shelves with polished chrome rail
- Interior hardware is chrome
- Pull out shelves operate independently of each other
- Requires the cabinet door to be a minimum of 18" wide and the cabinet to be a minimum of 36" wide

Floating Spin Trays/Lazy Susan - White

Pricing



FS32 1991

PRODUCT DETAILS

- Installed
- Made of white melamine and rails are steel
- Diameter of the unit is 30.28" requiring a minimum cabinet width of 36"
- To be ordered and installed with BCCQ36 (pages B.24-B.28)
- Not available to order separately

Spin Trays/Lazy Susan - Pie Cut White

Pricing



LS28 394

LS32 398

PRODUCT DETAILS

- Installed
- Made of white polymer shelves
- Diameter of the LS28 unit is 28"; diameter of the LS32 unit is 32"

Spin Trays/Lazy Susan - Pie Cut Wood

	Pricing
WLS28	1125
WLS32	1125



PRODUCT DETAILS

- Installed
- Made of a laminated hardwood rim with polymer hubs
- Diameter of the WLS28 unit is 28"; diameter of the WLS32 unit is 32"

Spin Trays - White Plastic 18"

	Pricing
LS18-2	291
LS18-3	366



PRODUCT DETAILS

- Installed
- Made of white PVC
- Diameter is 18"
- LS18-2 has 2 trays and is 30" to 33" high; requires an interior cabinet height of 22½"
- LS18-3 has 3 trays and is 36" to 42" high; requires an interior cabinet height of 32"
- Used with WA24

Spin Trays/Lazy Susan - D-Shape Wood

	Pricing
WLS31	1496



PRODUCT DETAILS

- Installed
- Made of maple veneer
- Diameter of the WLS31 unit is 31"
- Minimum interior cabinet height required is 25⅝"

Spin Trays - Wood 18"

	Pricing
WLS18-2	919
WLS18-3	1125



PRODUCT DETAILS

- Installed
- Made of natural wood and maple
- Diameter is 18"
- WLS18-2 has 2 trays and is 30" to 33" high; requires an interior cabinet height of 26"
- WLS18-3 has 3 trays and is 36" to 42" high; requires an interior cabinet height of 34"
- Used with WA24

Spin Trays/Lazy Susan - Full Round White

	Pricing
LSF28	442



PRODUCT DETAILS

- Installed
- Made of white PVC
- Diameter of the unit is 28"
- Minimum interior cabinet height required is 22½"

Super Susan - Wood

	Pricing
SS28	918
SS32	1863



PRODUCT DETAILS

- Installed
- Made of a laminated hardwood rim
- SS28 has a diameter of 28" and fits BCCQ3333
- SS32 has a diameter of 32" and fits BCCQ3636

installed storage essentials

Wood Super Susan with Pullout



SSPO

Pricing

3597

PRODUCT DETAILS

- Installed
- Made of maple and birch with a catalyzed natural finish
- Diameter is 30"
- Requires a minimum cabinet height of 36"

Pot and Pan Pullout Hardware



PAN

Pricing

1092

PRODUCT DETAILS

- Installed
- Hardware comes with 7 hooks, weight capacity of 100 lbs
- WLS18-2 (2 trays) 30" and 33" high
- WLS18-3 (3 trays) 36" to 42" high
- Minimum interior depth required is 24"
- Used with WA24
- To order extra hooks, use product code PANHKS
- Pots and pans not included

Pot and Pan Pullout Hardware Hooks



PANHKS

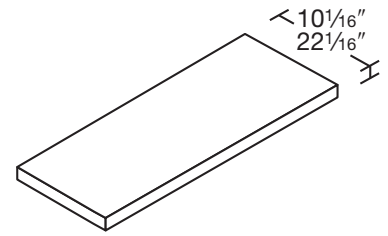
Pricing

120

PRODUCT DETAILS

- Installed
- Package of 2 hooks

Adjustable Shelves



Description	Specify	Price
Melamine - White	ADJSWM	\$25/sq ft
Melamine - Natural	ADJSNM	\$25/sq ft
Melamine - Matching Veneer	ADJSM	\$25/sq ft
Acrylic	ADJSV	\$55/sq ft
Plywood	ADJSPA	\$55/sq ft

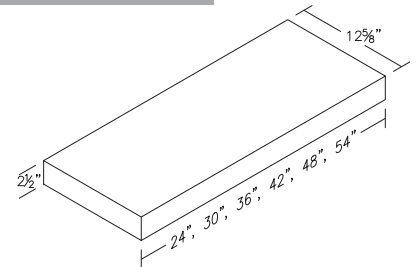
PRODUCT DETAILS

- Maximum width is 96"
- Maximum depth is 48"
- Shelf will be edge taped on one long edge
- Indicate quantity of shelves needed on order
- Shelf clips not included, refer to item SHFC shelf clip 5/8" clear (page PS.6)

HOW TO ORDER

- To order adjustable shelving for standard cabinets, specify the code and the unit. For example, to order natural melamine shelves for a B15, specify ADJSNMB15.
- To order custom shelves, specify the code, the depth and the length. For example, ADJSV 13x36.

Floating Shelves



SKU	Width	List Price			
		Wood	Walnut	Acrylic	Melamine
F3SHELF1224	24	406	649	936	1248
F3SHELF1230	30	507	811	1170	1560
F3SHELF1236	36	608	973	1404	1872
F3SHELF1242	42	710	1136	1638	2184
F3SHELF1248	48	811	1298	1872	2496
F3SHELF1254	54	913	1460	2106	2808

PRODUCT DETAILS

- Hollow shelves are 2.5" high, 12 5/8" deep
- Made of 5/8" material
- Finished on one long edge and two short edges
- Edges are square
- All standard finishes apply
- Modifications not available
- Not available in Thermofoil
- Installation brackets are not included; customers must purchase independently. (The use of 2x4's is most popular for installation).
- Veneer floating shelves are only available in Yorkshire or Highland profiles (will not match other door styles)

Replacement Parts & Supplies

Soft Close Attachment for Single Wall Steel Drawer Box	PS.2
Soft Close for Doors (clip-on hinge)	PS.2
Soft Close for Doors on Angle Units (clip-on hinge)	PS.2
Single Wall Steel Drawer Box - White Interior	PS.2
Single Wall Steel Drawer Box - Natural Interior	PS.2
Double Wall Steel Drawer Box - White Interior	PS.2
Double Wall Steel Drawer Box - Natural Interior	PS.2
Natural Wood Drawer Box	PS.3
Single Wall Steel Drawer Box Glides (pair)	PS.3
Double Wall Steel Drawer Box Soft Close Glides (pair)	PS.3
Wood Drawer Box Soft Close Glides (pair)	PS.3
Single Wall Steel Slide Out Tray - White Interior	PS.3
Single Wall Steel Slide Out Tray - Natural Interior	PS.3
Double Wall Steel Slide Out Tray - White Interior	PS.3
Double Wall Steel Slide Out Tray - Natural Interior	PS.3
Natural Wood Slide Out Tray	PS.3
Slide Out Tray Spacer Block	PS.3
Single Wall Steel Slide Out Tray Glides (pair)	PS.3
Double Wall Steel Slide Out Tray Soft Close Glides (pair)	PS.3
Wood Slide Out Tray Soft Close Glides (pair)	PS.4
Hinge - Standard	PS.4
Hinge - Angle	PS.4
Hinge - 30° Negative Angle	PS.4
Hinge - 45° Negative Angle	PS.4
Hinge - Bifold for Corner Cabinets	PS.4
Hinge - 165° for Corner Cabinets	PS.4
Hinge - Blind Corner	PS.4
Mounting Plate - Standard	PS.4
Mounting Plate - Soft Close Standard	PS.4
Hinge Socket	PS.4
Hinge - Standard Soft Close	PS.4
Hinge - Angle Soft Close	PS.5
Hinge - 165° Soft Close for Corner Cabinets	PS.5
Hinge - Bifold Soft Close for Corner Cabinets	PS.5
Hinge Restrictor - Non Soft Close	PS.5
Hinge Restrictor - Soft Close	PS.5
False Front Bracket (set)	PS.5

Magnetic Catch and Plate - White	PS.5
Stain - 1 Ounce	PS.6
Stain - 1 Liter	PS.6
Stain - 4 Liters	PS.6
Sealer - 1 Liter	PS.6
Top Coat - 1 Liter	PS.6
Paint - 1 Liter	PS.6
Paint - 4 Liters	PS.6
Edge Tape - PVC, 1 Foot	PS.6
Edge Tape - Veneer, 1 Foot	PS.6
Door Sweeps - Per Linear Foot	PS.6
Customer Care Kit	PS.6
Installation Kit - White	PS.6
Installation Kit - Natural	PS.6
Door Bumpers - Clear	PS.7
Shelf Clip - 5/8" Clear	PS.7
Shelf Clip - Steel	PS.7
Shelf Clip Hole Plug 5mm - White	PS.7
Shelf Clip Hole Plug 5mm - Natural	PS.7
Screw Cap Plug for #8 Screws - White	PS.7
Screw Cap Plug for #8 Screws - Natural	PS.7
Hinge Cover Cap	PS.7
Strapping - Plywood	PS.7
Cabinet Back Nailer Strips - 3/8"x4"x96"	PS.7
Driver Bit, 2" Length - #1	PS.7
Driver Bit, 2" Length - #2	PS.8
Heat Shield	PS.8
12 Volt BlueTooth Sound System	PS.8
Hardware - Mixer Shelf, for B15FH	PS.8
Door Pin - 5mm Steel	PS.8
Display Door Hinges for Selection Centers	PS.8
Pot and Pan Pullout Hardware	PS.8
Pot and Pan Pullout Hardware Hooks	PS.8
Sweep Color Summary Chart	PS.9

Soft Close Attachment for Single Wall Steel Drawer Box

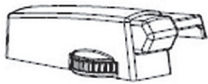
SSDWR 28



- Only for SWS (Single Wall Steel) drawers
- Cannot be used with SOT (Slide Out Trays) or file suspension units
- All drawer boxes for this order include soft close

Soft Close for Doors (clip-on hinge)

SSD 31



- All doors for this order include soft close

Soft Close for Doors on Angle Units (clip-on hinge)

SSDA 31



- For blind corner cabinets and 3-door cabinets (middle door only)
- All doors for this order include soft close

Single Wall Steel Drawer Box - White Interior

SWSWDB 112

- Specify drawer position, code, and unit (i.e. Top SWSWDB for BD183V)
- Does not include hardware

Single Wall Steel Drawer Box - White Interior

SWSPPWDB 168

- Specify drawer position, code, and unit (i.e. Middle SWSPPWDB for BD183V)
- Does not include hardware

Single Wall Steel Drawer Box - Natural Interior

SWSNDB 164

- Specify drawer position, code, and unit (i.e. Top SWSNDB for BD183V)
- Does not include hardware

Single Wall Steel Drawer Box - Natural Interior

SWSPPNDB 220

- Specify drawer position, code, and unit (i.e. Middle SWSPPNDB for BD183V)
- Does not include hardware

Double Wall Steel Drawer Box - White Interior

DWSWDB 225

- Specify drawer position, code, and unit (i.e. Top DWSWDB for BD183V)
- Does not include hardware

Double Wall Steel Drawer Box - White Interior

DWSPPWDB 281

- Specify drawer position, code, and unit (i.e. Middle DWSPPWDB for BD183V)
- Does not include hardware

Double Wall Steel Drawer Box - Natural Interior

DWSNDB 253

- Specify drawer position, code, and unit (i.e. Top DWSNDB for BD183V)
- Does not include hardware

Double Wall Steel Drawer Box - Natural Interior

DWSPPNDB 309

- Specify drawer position, code, and unit (i.e. Middle DWSPPNDB for BD183V)
- Does not include hardware

Natural Wood Drawer Box

WNDB 337

- Specify drawer position, code, and unit (i.e. Top WNDB for BD183V)
- Does not include hardware

replacement parts and supplies

Natural Wood Drawer Box

DWPPNDB 394

- Specify drawer position, code, and unit (i.e. Middle WPPNDB for BD183V)
- Does not include hardware

Single Wall Steel Drawer Box Glides (pair)

SWSDG_____ 40

- Add length after code
- Lengths in mm: 270mm, 350mm, 400mm, 450mm, 500mm
- Lengths in inches: 10 $\frac{5}{8}$ ", 13 $\frac{25}{32}$ ", 15 $\frac{3}{4}$ ", 17 $\frac{23}{32}$ ", 19 $\frac{11}{16}$ "

Double Wall Steel Drawer Box Soft Close Glides (pair)

DG_____ 78

- Add length after code
- Lengths in mm: 270mm, 350mm, 400mm, 450mm, 500mm, 550mm
- Lengths in inches: 10 $\frac{5}{8}$ ", 13 $\frac{25}{32}$ ", 15 $\frac{3}{4}$ ", 17 $\frac{23}{32}$ ", 19 $\frac{11}{16}$ ", 21 $\frac{21}{32}$ "

Wood Drawer Box Soft Close Glides (pair)

WNDG_____ 78

- Add length after code
- Lengths in mm: 270mm, 350mm, 400mm, 450mm, 500mm, 550mm
- Lengths in inches: 10 $\frac{5}{8}$ ", 13 $\frac{25}{32}$ ", 15 $\frac{3}{4}$ ", 17 $\frac{23}{32}$ ", 19 $\frac{11}{16}$ ", 21 $\frac{21}{32}$ "

Single Wall Steel Slide Out Tray - White Interior

SWSWSOT 225

- Specify code and unit (i.e. SWSWSOT for B18L)
- Order with the Slide Out Tray Spacer Block SOTBOK shown below
- Does not include hardware

Single Wall Steel Slide Out Tray - Natural Interior

SWSNSOT 275

- Specify code and unit (i.e. SWSNSOT for B18L)
- Order with the Slide Out Tray Spacer Block SOTBOK shown below
- Does not include hardware

Double Wall Steel Slide Out Tray - White Interior

DWSWSOT 337

- Specify code and unit (i.e. DWSWSOT for B18L)
- Does not include hardware

Double Wall Steel Slide Out Tray - Natural Interior

DWSNSOT 336

- Specify code and unit (i.e. DWSNSOT for B18L)
- Does not include hardware

Natural Wood Slide Out Tray

WNSOT 450

- Specify code and unit (i.e. WNSOT for B18L)
- Does not include hardware

Slide Out Tray Spacer Block



SOTBLK 11

- Package of 6

Single Wall Steel Slide Out Tray Glides (pair)

SWSSOT_____ 51

- Add length after code
- Includes: 1 SWSDG and 1 SOTBLK
- Lengths in mm: 270mm, 350mm, 400mm, 450mm, 500mm
- Lengths in inches: 10 $\frac{5}{8}$ ", 13 $\frac{25}{32}$ ", 15 $\frac{3}{4}$ ", 17 $\frac{23}{32}$ ", 19 $\frac{11}{16}$ "

Double Wall Steel Slide Out Tray Soft Close Glides (pair)

DGSOT_____ 89

- Add length after code
- Includes: 1 DG_ and 1 SOTBLK.
- Lengths in mm: 270mm, 350mm, 400mm, 450mm, 500mm, 550mm
- Lengths in inches: 10 $\frac{5}{8}$ ", 13 $\frac{25}{32}$ ", 15 $\frac{3}{4}$ ", 17 $\frac{23}{32}$ ", 19 $\frac{11}{16}$ ", 21 $\frac{21}{32}$ "

replacement parts and supplies

**Wood Slide Out Tray
Soft Close Glides (pair)**

WNSOT____ 89

- Add length after code
- Includes: 1 DG_ and 1 SOTBLK.
- Lengths in mm: 270mm, 350mm, 400mm, 450mm, 500mm, 550mm
- Lengths in inches: 10 5/8", 13 25/32", 15 3/4", 17 23/32", 19 11/16", 21 23/32"

Hinge - Standard



- Mounting plate is not included, order separately

Hinge - Angle



- Mounting plate is not included, order separately

Hinge - 30° Negative Angle



- Mounting plate is not included, order separately

Hinge - 45° Negative Angle



- Mounting plate is not included, order separately

Hinge - Bifold for Corner Cabinets



- Mounting plate is not included, order separately

Hinge - 165° for Corner Cabinets



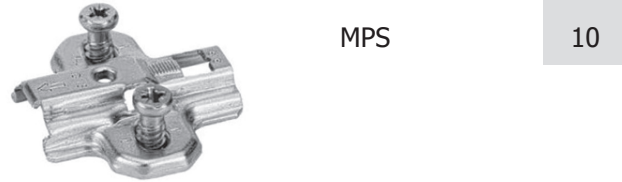
- Mounting plate is not included, order separately

Hinge - Blind Corner

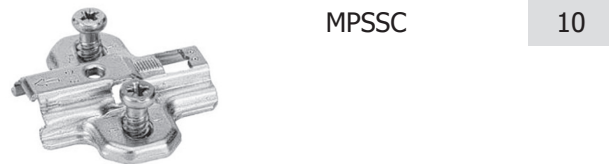


- Mounting plate is not included, order separately

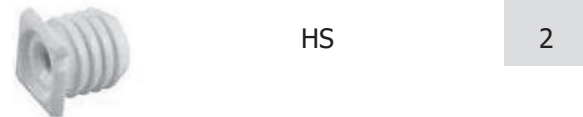
Mounting Plate - Standard



Mounting Plate - Soft Close Standard



Hinge Socket



- Package of 20

Hinge - Standard Soft Close



- Mounting plates come separately

Hinge - Angle Soft Close



ANGSCHNG 30

- Mounting plates come separately

Hinge - 165° Soft Close for Corner Cabinets



165SCHNG 30

- Mounting plates come separately

Hinge - Bifold Soft Close for Corner Cabinets



BIFSCHNG 30

- Mounting plates come separately

Hinge Restrictor - Non Soft Close



NSCHNGR 14

- Package of 20

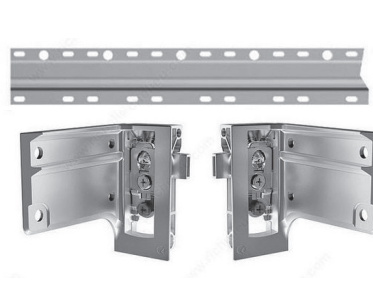
Hinge Restrictor - Soft Close



SCHNGR 12

- Package of 20

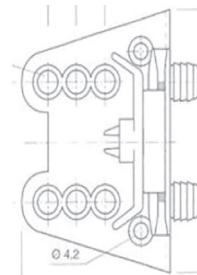
Option for Hanging Vanity Hardware



HVHS_ 630

- Libra H2 Hanging Brackets
- An option used for installing a Hanging Vanity Cabinet
- Package includes 1 hanging bar cut to required length and 2 Libra H7 brackets with necessary mounting screws
- Hardware is installed only
- When this hardware is used, the top drawer box(es) will be reduced in depth to allow for the installation of the hanging hardware
- To Order: include width after the code HVHS

False Front Bracket (set)



FFB 6

Magnetic Catch and Plate - White



MAGW 2

replacement parts and supplies

Stain - 1 Ounce		
ONCSTN_____		25

- Add color after code
- Not available for Melamine, Thermofoil, Acrylic, or PureStyle™

Stain - 1 Liter		
LTRSTN_____		66

- Add color after code
- Not available for Melamine, Thermofoil, Acrylic, or PureStyle™

Stain - 4 Liters		
4LTRSTN_____		227

- Add color after code
- Not available for Melamine, Thermofoil, Acrylic, or PureStyle™

Sealer - 1 Liter		
LTRSEAL		54

Top Coat - 1 Liter		
LTRTOP		60

Paint - 1 Liter		
LTRPNT_____		69

- Add color after code
- Not available for Melamine, Thermofoil, Acrylic, or PureStyle™

Paint - 4 Liters		
4LRPNT_____		236

- Add color after code
- Not available for Melamine, Thermofoil, Acrylic, or PureStyle™

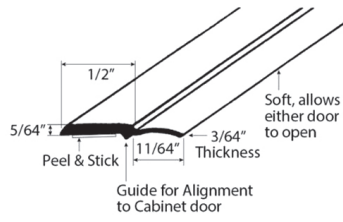
Edge Tape - PVC, 1 Foot		
ET_____		4

- Add color after code
- ET4 (4') = \$16 Melamine
- ET8 (8') = \$32 Melamine
- ETV4 (4') = \$28 Veneer
- ETV8 (8') = \$56 Veneer

Edge Tape - Veneer, 1 Foot		
ETV_____		7

- Add color after code

Door Sweeps - Per Linear Foot		
--------------------------------------	--	--



DRSWBROWN	6
DRSWWHITE	6
DRSWALMOND	6
DRSWBLACK	6
DRSWCLEAR	6

- Price is per linear foot
- Refer to the Sweep Color Summary Chart on page PS.8

Customer Care Kit		
CCK_____		87

- Add color after code
- Includes: Touch up pencil, marker, plastic tool, 1 ounce stain
- Artistic White can be used as a touch up kit for White Thermofoil

Installation Kit - White		
INSTALKW		37

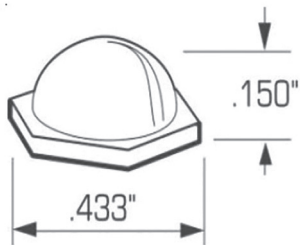
- Includes:
- 100 - #8 x 1 1/8" low root screws
 - 80 - #8 x 2 1/2" pan washers
 - 30 - #8 white screw caps
 - 1 pad of clear bumpers

Installation Kit - Natural		
INSTALKN		37

- Includes:
- 100 - #8 x 1 1/8" low root screws
 - 80 - #8 x 2 1/2" pan washers
 - 30 - #8 natural screw caps
 - 1 pad of clear bumpers

replacement parts and supplies

Door Bumpers - Clear



BUMP

12

- Pad of 132

Shelf Clip - 5/8" Clear



SHFC

2

- Package of 10

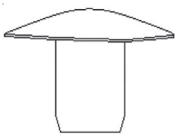
Shelf Clip - Steel



SSC

2

Shelf Clip Hole Plug 5mm - White

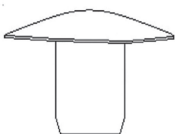


SCPW

7

- Package of 50

Shelf Clip Hole Plug 5mm - Natural

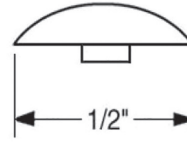


SCPN

7

- Package of 50

Screw Cap Plug for #8 Screws - White

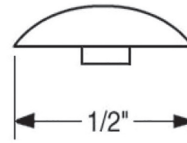


SCCW

7

- Package of 50

Screw Cap Plug for #8 Screws - Natural



SCCN

7

- Package of 50

Hinge Cover Cap



HCC

6

- Package of 10

Strapping - Plywood

- 2 7/8" wide x 96" long

PLY

10

Cabinet Back Nailer Strips - 3/8" x 4" x 96"

CBNS

13

Driver Bit, 2" Length - #1



BIT1

12

replacement parts and supplies

Driver Bit, 2" Length - #2



BIT2

12

Heat Shield

HTSHLD_____

61

- Add W (white) or B (black) after code
- Use next to heating source on Thermofoil cabinets

12 Volt BlueTooth Sound System



BTSS

565

Hardware - Mixer Shelf, for B15FH



MXS

954

- Shelf is 15" deep when inside unit
- Fits 15" base full height cabinets only
- Shelf locks into place at countertop height
- Maximum appliance weight 25lbs, height 14¼"

Door Pin - 5mm Steel



SSP

1

- Package of 5

Display Door Hinges for Selection Centers



DCH15

378

DCH1

25

- DCH15 contains hardware for 15 display doors
- DCH1 contains hardware for 1 display door

Pot and Pan Pullout Hardware



PAN

1092

PRODUCT DETAILS

- Installed
- Hardware comes with 7 hooks, weight capacity of 100 lbs
- WLS18-2 (2 trays) 30" and 33" high
- WLS18-3 (3 trays) 36" to 42" high
- Minimum interior depth required is 24"
- Used with WA24
- To order extra hooks, use product code PANHKS
- Pots and pans not included

Pot and Pan Pullout Hardware Hooks



PANHKS

120

- Installed
- Package of 2 hooks

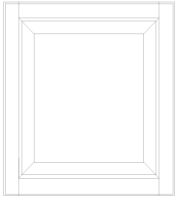
Sweep Color Summary Chart

DOOR COLOR	SWEEP COLOR	DOOR COLOR	SWEEP COLOR
Agreeable Grey	Clear	Sand	Brown
Bamboo	Natural	Silver Fox	White
Barnwood	Black	Slate	Black
Bisque	Natural	Smoke	Black
Cape Cod	Clear	Storm	Black
Carmel	Brown	Strata	Natural
Charcoal	Black	Vintage	Black
Chill	White	Weatherstone	Black
Chocolate	Brown	Woodgate	Brown
Driftwood	Brown		
Dunbar	Clear		
Evening Grey	Clear		
Fawn	Natural		
Flint	Clear		
French Roast	Brown		
Graphite	Clear		
Haze	Clear		
Laredo	Brown		
Linen	Natural		
Meadowood	Clear		
Monteray	Brown		
Mountain Haze	Natural		
Mystic Grey	Black		
Oyster	Natural		
Peppercorn	Clear		
Prairie	Brown		

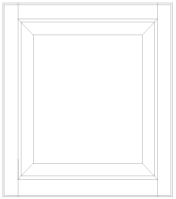
Sales Tools

Displays.....ST.2 & 3
Sales Aids.....ST.4

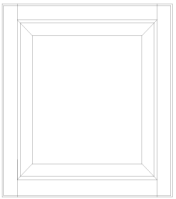
**Display Door Types -
12" Wide X 15" High**



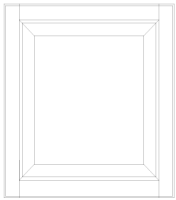
DSPDR
No Hinging



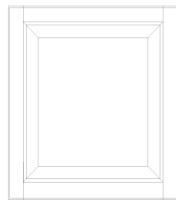
DSPDRDC
Display Center Hinge



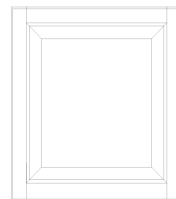
DSPDRM
Metal - No Hinging



DSPDRMDC
Metal - Display Center Hinge



DSPDRS
No Hinging -
For Stained Color Samples



DSPDRP
No Hinging -
For Painted Color Samples

	Net Price
DSPDR	11
DSPDRDC	11
DSPDRM	68
DSPDRMDC	68
DSPDRS*	104
DSPDRP*	104

NOTE

- SKUs ending in DC fit into the display center
- * These samples are used in conjunction with our Custom Color Program

Display Front

Slab - DSPDWRSB



12" Wide X 6" High

3 Piece Melamine, 5 Piece Wood and Routed HDF - DSPDWRFB



12" Wide X 6" High

	Net Price
DSPDWRSB	6
DSPDWRFB	6

Display Door Set

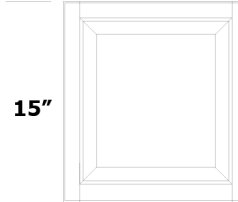
Door Set 2
(Door and both drawer fronts)



6"



6"

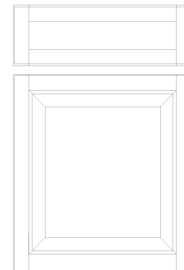


15"

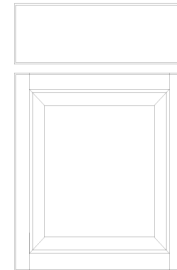
12"

	Net Price
DOOR SET 2	21
DOOR SET STD	16
DOOR SET UPG	16

Door Set UPG (Upgrade)
(3 piece, 5 piece door set UPG)



Door Set STD
(Slab door set STD)

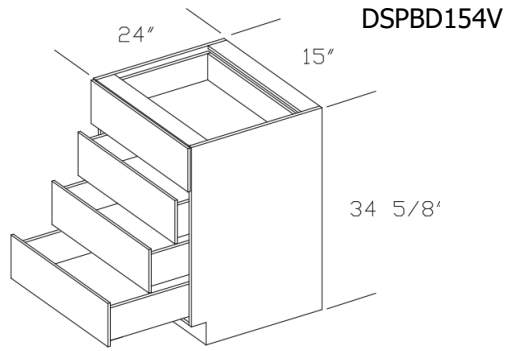


displays

Display Base Drawer

Net Price

265



PRODUCT DETAILS

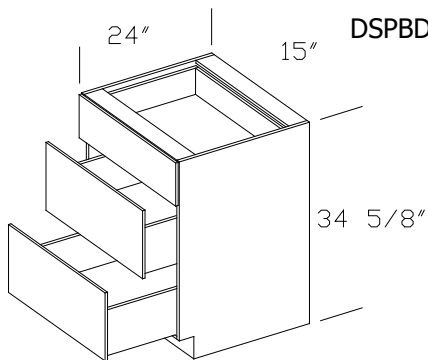
This unit shows all 4 drawer box options:

- **Top:** White Melamine, Single Wall Steel drawer system
- **2nd from Top:** White Melamine, Double Wall Steel drawer system
- **2nd From Bottom:** Natural Melamine, Double Wall Steel drawer system
- **Bottom:** Wood Box drawer system
- The unit comes with matching Melamine finished ends where applicable. If no matching Melamine is available, Veneer finished ends will be applied.

Display Base Drawer USA

Net Price

265



PRODUCT DETAILS

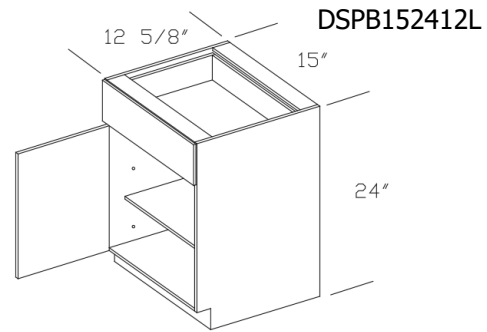
This unit shows 3 drawer box options:

- **Top:** Wood Box drawer system
- **Middle:** White Melamine, Double Wall Steel drawer system
- **Bottom:** Natural Melamine, Double Wall Steel drawer system
- The unit comes with matching Melamine finished ends where applicable. If no matching Melamine is available, Veneer finished ends will be applied.

Display Base

Net Price

104



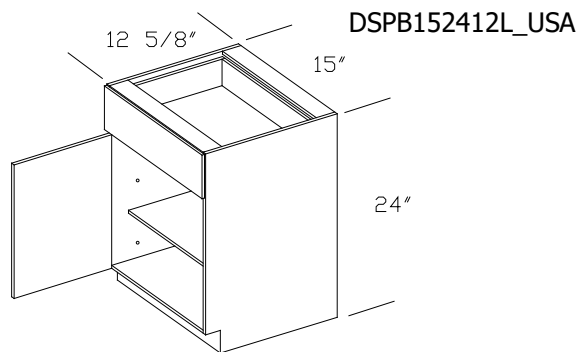
PRODUCT DETAILS

- The unit is a mini version of a base
- Comes with White Melamine, Single Wall Steel drawer system
- Comes with matching Melamine finished ends where applicable. If no matching Melamine is available, Veneer finished ends will be applied.

Display Base USA

Net Price

104



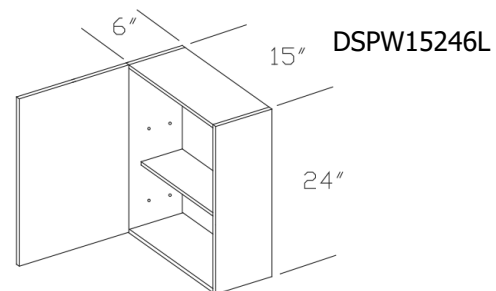
PRODUCT DETAILS

- The unit is a mini version of a base
- Comes with a Wood Box drawer system
- The unit comes with matching Melamine finished ends where applicable. If no matching Melamine is available, Veneer finished ends will be applied.

Display Wall

Net Price

104



PRODUCT DETAILS

- The unit is a mini version of a wall
- The unit comes with matching Melamine finished ends where applicable. If no matching Melamine is available, Veneer finished ends will be applied.

Sample Box and Color Samples		Net Price
	STSBCS	104
Includes a selection of colors and species including glazes and special finishes.	STCS	3
	STSBO	16

Samples are 3½" x 5½" and come in a wood box.

• **Color Sample - STCS**

3½" x 5½" individual replacement pieces for the sample box

• **Sample Box Only - STSBO**

Replacement wood box for carrying color samples

Sample Melamine Ring		Net Price
	STSMRLR	6

- Samples of all Melamines on a ring

Sample Moulding Box		Net Price
	STSMDR	11

- 6" unfinished samples of all mouldings in a box

Specifications & Pricing Guides		Net Price
1 is equal to 1 guide and binder	STSPG	0
Binder insert only	Binder insert	0
Binder only	Binder	0

Literature		Net Price
Idea Book Brochure - Canada		
1 pack of 25 brochures	6335	70
Idea Book Brochure – USA		
1 pack of 25 brochures	6225	70

Dealer Start-Up Kit		Net Price
	STDSUK	582

Includes:

- 1 Display base drawer (DB154V)
- 1 Display wall
- 1 Display base
- 1 Sample color box and samples
- 1 Moulding ring
- 1 Melamine ring
- 10 Display doors

*Drawer box on sample unit will be White, Single Wall Steel drawer system

Dealer Start-Up Kit USA		Net Price
	STDSUK_USA	582

Includes:

- 1 Display base drawer (DB153V)
- 1 Display wall
- 1 Display base
- 1 Sample color box and samples
- 1 Moulding ring
- 1 Melamine ring
- 10 Display doors

*Drawer box on sample unit will be Birch, Wood Dovetail drawer system

Design Services		Net Price
We will professionally design your rooms for you using our 2020 design software.	Kitchen	150
	Bathroom	50
	Large Room	100
	Laundry Room	100
	Revision	50
Price is per room and includes up to 2 revisions.	Design Checks	25