

# ultracraft®

## SPEC GUIDE

Prices Effective July 27, 2020

This PDF is current as of  
December 13, 2021.

### UltraCraft Advantages

- Hundreds of doors in every popular material, finish and style from traditional to ultra-modern
- Soft Close Drawers and Doors
- First class Wood Dovetail and Metal Drawer systems
- Free, custom size modifications for most cabinets; ask your designer for details
- Designer colors and modern Low Sheen finish at no upcharge
- Custom paint colors
- Popular paint, glaze, linen and distressed finishes at low upcharges
- All-Plywood or Engineered Furniture Core construction
- Full Access construction means more storage, easy-to-clean, and precise alignment
- Full-depth, adjustable shelves
- Made in America from domestically and globally sourced components
- 100-year Limited Warranty



KITCHEN CABINET MANUFACTURERS ASSOCIATION  
ENVIRONMENTAL STEWARDSHIP PROGRAM.  
ALL PRODUCTS IMPACT THE ENVIRONMENT.  
FOR ESP PROGRAM CRITERIA, VISIT KCMA.ORG



©2020 UltraCraft. UltraCraft Cabinetry is a Norcraft Companies brand. Norcraft Companies is part of the MasterBrand Cabinets Family.



Printed 7/27/20

# Table of Contents

Click on any item to jump to that item's first page.

## Doing Business with UltraCraft

- Advantages
- MasterBrand's OneTouch Dealer Portal
  - All Forms: Order, Design, & Sales Aids
- Contact Information
- 100-Year Limited Warranty
- Terms and Conditions
- Ordering Process
- Standard Order Form Instructions
- Order Changes
- Shipment Notification
- Accepting Deliveries
- Cycle Ship Example
- Packing List Example
- Shipping Label Example
- Job Completion and Warranty Parts Orders
- Cabinet Care

## Cabinet Construction

- UltraCraft Advantages
  - Modern Selection. Premium Partnership.
  - Full Access Design
  - Architectural Specifications
- Cabinet Construction
- Cabinet Materials
- Hinges
- Drawers and Pull-outs
- Doors and Drawer Fronts
- Wood Characteristics
- Wood Species/Finishes
- Standard Dimensions
- Standard Shelving
- Precision Alignment
- Drawer Systems

## Custom Modifications

- All-Plywood Construction Option
- Finished Ends/Interiors/Top/Bottom
- Depth/Width/Height Modifications
- Toe Kick Modifications
- Angle Front/Back 45 Degrees
- Eliminate Line/Hinge Boring
- Side Extended Back
- Door Overhang with Side Extended Down
- Recessed Bottom
- Stacked Cabinets
- Drill for Lighting
- Reconfigure Doors and Drawers
- Additional/Replacement Doors and Drawers
- Cabinets Without Doors/Drawer Fronts
- Add a Shelf
- Variable Height Filler Fluting
- Broom Handle Cut-out Option
- Custom Cut-out in a Standard Oven Panel
- Accessory Modification
- Electronics Pull-out Shelf
- Tilt-out Tray
- Lazy Susans
- Revolving Recycle Bins

## Door Styles and Finishes

### UltraLux Program

- Program Summary
  - Solid Color High-Gloss Acrylics
  - Linear-Pattern High-Gloss Acrylics
  - Metallic-Look High-Gloss Acrylics
  - Aluminum Metal Laminates
  - Matte Acrylics
- Door Styles
  - Acrilux II    Hollywood
  - Edgewater    South Beach

### Thermofoil Program

- Price Grade/Finish Availability
- Program Summary
- Doors Prepared for Glass
- Door Styles
  - Adriatic    Lexington
  - Cellini    Mission II
  - Eastover    Pasadena
  - Greco

### Eurotek Program

- Program Summary
- Door Styles
  - Cape May
  - Clermont
  - Jamestown
  - Lakehurst
  - Philadelphia

### Melamine Program

- Program Summary
- Door Styles
  - Kitty Hawk    Piper
  - Martin    Seneca
  - Metropolis

### Metal Doors Program

- Program Summary
- Door Styles
  - Broadline Stainless Steel
  - Slimline Aluminum
  - Fineline Aluminum
  - Broadline Aluminum

### Deluxe Veneers Program

- Program Summary
- Door Style
  - Slab

### Wood Program

- Program Summary
  - Standard Finish Availability by Door
  - Stain Availability by Color
  - Specialty Stain Finish Availability
  - Paint Availability by Color
  - Specialty Paint Finish Availability
  - Specialty Finishes
    - Aged    Rubbed
    - Heritage    Worn
    - Vintage    Linen
  - Custom Paint Color Program
  - Doors Prepared for Glass

- Door Styles
  - Andover
  - Apex
  - Asheville
  - Avon
  - Avon Wide
  - Boca Raton
  - Boston
  - Breckenridge
  - Breckenridge Wide
  - Bristol
  - Broadview
  - Charlotte
  - Chesapeake
  - Crystal Lake
  - Daytona
  - Dennison
  - Evanston
  - Fairlawn
  - Frisco
  - Hampton
  - Lafayette
  - Lakeway
  - Lauderdale
  - Livingston
  - Marshall
  - Mount Vernon
  - Oakland Park
  - Old Salem Wide
  - Plainview
  - Plainview Wide
  - Plantation
  - Plymouth
  - Plymouth
  - Raised
  - Richmond II
  - Ridgecrest
  - Rockford
  - Royalton
  - Sagamore
  - Sarasota
  - Shaker
  - Shaker Wide
  - Slab
  - Stickley
  - Stickley Wide
  - Wicker Park
  - Winchester

- Drawer Options
- 5-Piece Drawer Front with Slab Top Drawer
- 5-Piece Matching Drawer Front
- Additional Drawers
- Split Top Drawer
- 2-Tier Top Drawer System
- 2-Tier Deep Drawer System
- Pull-out Options
- Charging Drawer
- Scooped Drawer & Prepped for Plumbing
- Wood Dovetail Drawer Prepped for Plumbing
- Metal Drawer Prepped for Plumbing
- Fineline Cutlery Tray Inserts

- Full-Height Door Option
- Pocket Doors
- Cabinets with Doors Prepared for Glass
- Glass for Doors – Art/Tech/Leaded
- Integrated C-Pull/L-Pull
- Touch Latch
- Vanity Hanging Bracket

### Wall Cabinets

### Range Hoods

### Base Cabinets

### Tall Cabinets

### Vanity Cabinets

### Toe Kicks, Fillers, & Columns Panels

### Mouldings & Trims

### Accessories & Hardware



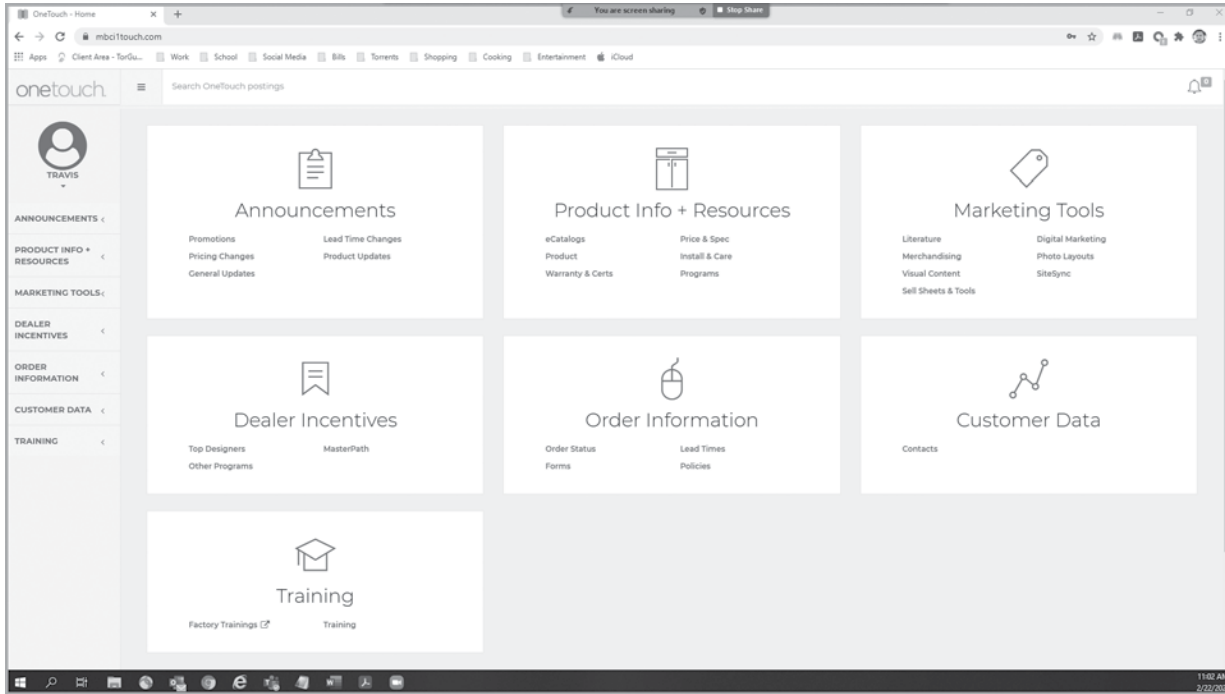
## Doing Business with UltraCraft

# MasterBrand's OneTouch Dealer Portal:

[www.mbc1touch.com](http://www.mbc1touch.com)

Welcome to OneTouch, where you'll find the news and tools related to all the MasterBrand cabinet lines you sell, all in one convenient place.

First, create your OneTouch account and log in. Then, explore. You'll find timely news and product announcements, special sales incentives, order information – including the Spec Guide, 2020, and all digital forms – sales and marketing tools and literature, and training videos. Even customer data.



These forms, once available in the Spec Guide, are now available on OneTouch.

### Order Forms:

- Standard Order Form
- Awareness Form
- Job Site Delivery Application
- Job Completion/Warranty Parts Order Form

### Design Forms:

- Request For Specials Order Form
- Appliance Panel Order Form
- Flush Appliance Forms
- Corner Cabinet Modification Form
- Transitional Cabinet Modification Form
- Door Overhang Modification Form
- Variable Height Fluting Order Form
- Stacked Cabinet Modification Order Form
- Decorative End Panel Order Form
- Custom Oven Panel Order Forms

### Sales Aids Order Forms:

- Sales Aids Order Form
- Literature Order Form
- Showroom Sample Door Order Form
- Rush Consumer Sample Door Order Form
- Custom Paint Sample Order Form
- Custom Paint Acknowledgement Form
- Color Chip Replacement Order Forms
- Glass Samples Order Form
- Moulding Kit Replacement Parts Order Form

Doing Business with UltraCraft

UltraCraft Contact Information

OneTouch Dealer Portal..... www.mbc1touch.com

Username: \_\_\_\_\_

Password: \_\_\_\_\_

To Order.....800-464-0146 Fax

..... **Mailorders.uc@masterbrand.com**  
(auto-response will come from mailorders@masterbrand.com)

Customer Service

Phone: .....800-803-2315

Email: .....Email general@ultracraft.com

Main Phone Line.....800-262-4046

Shipping.....800-451-9034

Factory.... 6163 Old 421 Road, Liberty, North Carolina 27298

Website..... www.ultracraft.com

Your Manufacturer's Rep

Name: \_\_\_\_\_

Phone: \_\_\_\_\_

Cell: \_\_\_\_\_

Fax: \_\_\_\_\_

E-mail: \_\_\_\_\_

Website: \_\_\_\_\_

2020 Catalog Support

Customer Service:.....800-803-2315

Design Service..... designservice@masterbrand.com

2020 Phone: .....866-697-2020

2020 Website: ..... www.2020spaces.com/support/



# ultracraft®

## 100-Year Limited Warranty

UltraCraft Cabinetry ("We" or "Us") extends the following limited warranty ("Limited Warranty") to the first purchaser ("Original Purchaser" or "You") of a cabinet manufactured by Us (each, a "Product"). This Limited Warranty is only applicable to Products sold and used in the applications described below within the United States and Canada. Except as allowed below, You may not assign or transfer this Limited Warranty.

**WHAT DOES THIS LIMITED WARRANTY COVER?** Subject to the exclusions and limitations set forth in this Limited Warranty, We warrant to You that each Product will be free from defects in material and workmanship, under normal use and maintenance, for the applicable warranty period stated below. This warranty gives You specific legal rights, and You may have other rights which vary from State to State.

**WHAT IS THE WARRANTY PERIOD APPLICABLE TO RESIDENTIAL PURCHASERS?** If You are a Residential Purchaser, then the warranty period for Your Product (excluding certain components discussed in the following paragraph) is for as long as You own the dwelling in which Your Product was originally installed and used as a primary or secondary home. Under this Limited Warranty, a "Residential Purchaser" means a person who purchases and installs the Product in a dwelling that is owned and used by that person as a primary or secondary home. A Residential Purchaser also includes any person such as a builder, contractor or developer that purchases and installs the Product in a newly constructed dwelling that will be used as a primary or secondary home. This Limited Warranty may be assigned by a builder, contractor or developer to the first owner of a newly constructed dwelling in which the Product was originally installed, provided that dwelling is used by the first owner as a primary or secondary home. Remodelers, landlords, and leasing companies will be considered a Commercial Purchaser (as defined below).

Notwithstanding the preceding paragraph, the warranty periods applicable to the following Product components that were not originally manufactured by Us are as follows:

- Lighting, Electronic, and Powered components: 2 years from the date of original purchase.
- Decorative Hardware: 5 years from the date of original purchase.
- Cabinet Organizers: 5 years from the date of original purchase.

**WHAT IS THE WARRANTY PERIOD APPLICABLE TO COMMERCIAL PURCHASERS?** If You are a Commercial Purchaser, then the warranty period for Your Product or any components of Your Product is twelve (12) months from the date of purchase. A "Commercial Purchaser" is any Original Purchaser of a Product that is not a Residential Purchaser. Commercial Purchasers include remodelers, landlords, leasing companies, and other private or public businesses that purchase and install the Product in a dwelling that will be sold, leased or used as a rental unit or for any non-residential purposes.

**DISCLAIMER OF OTHER WARRANTIES:** THIS LIMITED WARRANTY IS OUR SOLE AND EXCLUSIVE WARRANTY WITH RESPECT TO THE PRODUCTS. ALL IMPLIED WARRANTIES ARE STRICTLY LIMITED TO THE DURATION OF THE LIMITED WARRANTY APPLICABLE TO THE PRODUCT AS STATED ABOVE, INCLUDING BUT NOT LIMITED TO, ANY WARRANTY OF MERCHANTABILITY OR OF FITNESS FOR A PARTICULAR PURPOSE. Some States do not allow limitations on how long an implied warranty lasts, so the above limitation may not apply to You.

**WHAT THIS LIMITED WARRANTY DOES NOT COVER (EXCLUSIONS):** The Limited Warranty does not apply to any Product:

- (1) installed or used outdoors;
- (2) used for purposes for which it is not designed or intended by Us;
- (3) which have been subjected to misuse, vandalism, abuse, negligence, accident, or unauthorized modifications;
- (4) which have been improperly stored (if the Product must be stored, it should be covered and stored in a humidity and temperature controlled environment, away from direct sunlight);
- (5) which have been improperly installed, cleaned, or maintained (for more information regarding the proper use and care of the Product, please consult the applicable Use and Care Instructions that accompanied the Product or that can be found at [www.ultracraft.com/about/100-year-limited-warranty](http://www.ultracraft.com/about/100-year-limited-warranty));
- (6) which have been subjected to improper temperature, moisture and/or humidity extremes (temperature outside the range of 50-85°F and humidity outside the range of 30-55% are considered extreme);

- (7) damaged by fire, flood, acts of God, or other external causes beyond our control; and/or
- (8) exhibiting normal wear and tear.

In addition, natural woods may vary in color and characteristics and exhibit subtle changes as they age. For example, painted doors, drawer fronts, and face frames may eventually have visible cracking around the joint area, and cabinet colors may darken or lighten over time. Sunlight, smoke, and other environmental conditions may also affect the color and integrity of the Product's finish or appearance over time. These variations are considered to be the nature of the material in relation to their environmental exposure and are not covered under this Limited Warranty.

Certain household cleaners and other substances may also affect the color and integrity of the Product's finish or appearance over time. Do not use abrasive cleaners, cleaners that contain chlorine, acidic cleaners, scuffing sponges or steel wool because they may scratch and affect the color or finish of the Products. Any such effects on the color and/or integrity of the finish or appearance over time are not considered defects in material or workmanship and are not covered by this Limited Warranty.

**ORIGINAL PURCHASER'S SOLE AND EXCLUSIVE REMEDY:** In the event of a defect in the workmanship or materials of a Product or Product component, We will, at our option, repair or replace any defective Product or Product component; provided, if it is not commercially feasible to repair or replace a defective Product or Product component, We may refund the original price paid by You for the defective Product or Product component, or provide a credit towards a similar type of product sold by Us. The foregoing are Your sole and exclusive remedies for any Product defect or non-conformity. By way of example but not limitation, the following costs and expenses are not covered by this Limited Warranty: (1) labor costs for the original installation, removal, or reinstallation of the Product, or defective part thereof; (2) labor costs or material charges for the removal, reinstallation, repainting, refinishing or replacement of any other items or building materials which must be removed, replaced, reinstalled, or refinished in order to repair or replace the defective Product or component. For example, costs associated with the following will not be reimbursed: counters, sinks, tiles, flooring, accessories, appliances or plumbing fixtures. When a claim for warpage, joint separation or wood growth is submitted, We may, at our option and after inspection, defer action for up to 12 months to allow the Product to acclimate to the installed environment. Further, We reserve the right to modify or alter any Product design, specifications or materials without obligation to make similar changes to Products previously manufactured or sold by Us.

The repair or replacement remedies offered by Us under this Limited Warranty are contingent on the current Product offerings of styles and construction options within our Product line at the time of a warranty claim is made by You. If a valid warranty claim is filed for an obsolete Product, We reserve the right, at our sole option, to honor its repair or replacement obligations under this Limited Warranty by either: (1) replacing the affected Product or component with a new Product or component of the same or approximate style or color from our current Product line or offerings; or (2) replacing the affected Product or component to achieve a uniform appearance with a similar or comparable product style or approximate color of the originally purchased style. If a Product or components are replaced or repaired, We cannot guarantee an exact match with the finish or appearance of other products or fixtures installed at the Your dwelling. This is due to changes that may occur during the Products' natural aging process, affecting its color and/or grain.

**LIMITATION OF LIABILITY:** The remedies described above are Your sole and exclusive remedies and our entire liability for any breach of this Limited Warranty. Our total liability shall under no circumstances exceed the actual amount paid by You for the defective product. Further, We shall not under any circumstances be liable for any consequential, indirect, incidental, special or punitive damages or losses, even if this Limited Warranty is deemed to have failed of its essential purpose. Some States do not allow the exclusion or limitation of incidental or consequential damages, so the above limitation or exclusion may not apply to You.

**HOW DO YOU OBTAIN WARRANTY SERVICE?** This Limited Warranty can also be found online at [www.ultracraft.com/about/100-year-limited-warranty](http://www.ultracraft.com/about/100-year-limited-warranty) [or/and] in the documentation that accompanied your Product. To obtain more information regarding the Product or to make a claim under this Limited Warranty, contact one of our authorized dealers or distributors, who will arrange for inspection of the Product. A dated sales receipt as proof of purchase is required to obtain benefits from this Limited Warranty. If you have difficulty obtaining assistance, please write to:

UltraCraft Cabinetry, Customer Service Department, 6163 Old 421 Road, Liberty NC 27298  
Effective date 10/12/17.

## Terms and Conditions

All prices stated herein supercede all prior price lists and are subject to change without prior notice. All prices are F.O.B. Liberty, North Carolina.

All styles, finishes, hardware, and specifications are also subject to change without prior notice.

Prices do not include applicable taxes and are stated in U.S. dollars.

Terms of payment are NET 30 days from date of invoice. An interest charge of 1½% per month or the highest amount allowable by law, whichever is less, will be assessed on all past due amounts.

Possession of price list does not constitute a right to purchase. UltraCraft cabinets are sold only to authorized, credit-approved accounts.

All orders are subject to approval by UltraCraft and should be placed on an UltraCraft order form to facilitate processing.

### **Order Acknowledgement Verification Process:**

UltraCraft will allow order changes, additions, deletions and cancellations for up to 24 hours after the Acknowledgement is received by the customer.\*

You must advise UltraCraft Customer Service of omissions and/or errors. Please write your changes on your acknowledgement and email to Mailorders.uc@masterbrand.com or send via fax to 800-464-0146.

- You have one full business day to make changes or corrections excluding day Acknowledgement received.
- **JCOs** – Order is moved into production immediately following Acknowledgement so changes are not accepted. Cancellations will be subject to fees on [page DB13-DB14](#).

We recommend you create a log that tracks when you faxed an order to UltraCraft. If you do not receive the Acknowledgement back in 24-48 hours, please contact Customer Service.

All requests for changes, additions, deletions or cancellations, with or without penalty, must be submitted in writing for approval by UltraCraft.

In the event that a customer is granted approval to have delivery of an order inside of normal lead times, their right to make alterations or cancel an order within the 24-hour time period is waived.

### **Order Changes Beyond Acknowledgement Period:**

Any changes to orders requested outside standard Acknowledgement period will be subject to a cancellation fee and/or restocking fee. See [page DB9](#) for details.

All special cabinets will be subject to prior approval by UltraCraft, and will receive an upcharge, over the list price, according to pricing guidelines.

UltraCraft reserves the right to request defective parts be returned for inspection. UltraCraft will issue a "Return Authorization – RA" on receipt of order. Defective parts must be returned to UltraCraft within 45 days of receipt of the new parts. Should these defective parts not be returned, UltraCraft may charge for the replacements. Upon inspection of the returned parts, should the parts be found to be within specifications, UltraCraft may charge for the new replacement parts.

No returns of stockable items (eg. Hardware) will be accepted without an authorized UltraCraft return number. All approved returns will be charged a 25% handling fee.

### **Receipt of Product:**

Complete inspection of all deliveries before signing the delivery receipt is required. A signed delivery receipt will indicate a complete shipment with no shortages or damage unless duly noted. We will not accept receipts signed "Subject to Count."

Written confirmation of all damages must be noted on the delivery receipt before a claim will be considered. All concealed damage claims must be reported within fifteen (15) days after delivery. Description or photo of damage or damaged product must accompany claim.

*\* Based upon catalog ordered from.*



# Ordering Process

## Order

Prepare your request using either UltraCraft's **Standard Order Form** (available on OneTouch) or order forms provided with computer programs such as 2020, ProKitchen, Companion Cabinet or Quick Quote. Send your order to UltraCraft via fax **1-800-464-0146**, or email **mailorders.uc@masterbrand.com**.

## Acknowledgement

UltraCraft will review your order, and within 24 hours, will call with any questions or send you an official order Acknowledgement. **If you do not receive an Acknowledgement within 24 hours please contact customer service.**

## Delivery

Your order Acknowledgement will specify only the week of delivery. UltraCraft's Delivery Services will call before delivery to confirm the exact delivery day.

## Unique Purchase Order Numbers

To reduce the risk for order duplications we ask you to use a **unique PO#** for each order.

To use the same PO# on multiple orders, add an extension to differentiate them. For example, PO# 12345 covering three orders could be 12345, 12345-1, 12345-2.

To submit Job Completion orders, use the original PO# and add an extension. For example, original PO# 12345-1 might become PO# 12345-1-1 or 12345-1Add1 for the JCO.

To order Replacement Parts, add an R or Rep1, Rep2 to the end of the original PO#.

# Order Forms Available on OneTouch

Standard Order Form

Awareness Form  
**Required with every order.**

Job Site Delivery Application

Job Completion/Warranty  
Parts Order Form

# Design Forms Available on OneTouch

To order special or modified items, include the appropriate design forms or a Request For Specials Form with drawings.

Request For Specials Form

Appliance Panel Order Form

Flush Appliance Forms

Corner Cabinet Modification Form

Transitional Cabinet Modification Form

Door Overhang Modification Form

Variable Height Fluting Order Form

Stacked Cabinet Modification Order Form

Decorative End Panel Order Form

Custom Oven Panel Order Forms

# Standard Order Form Instructions

**Order only one door style and finish per order form.** To avoid delays, please be accurate and write clearly.

1. Identify each page in your order.
2. Specify "SOLD TO" dealer information: account number, business name (including DBA), billing address, contact name, phone, fax, and email. Note if fax or phone numbers are different from company's billing address.
3. Specify "SHIP TO" information: name, physical address, "Tag For" name; contact name, phone, and email. If necessary, complete a **Job Site Delivery Application** (download from OneTouch).
4. Specify "ORDER INFORMATION": order date, unique PO# (maximum of 20 characters), job type, ship date (if other than standard lead time). Include dealer's PPRA#, promo code and designer ID#. If this order will ship with another order, include the PO# of the other order.
5. Specify door style, material or species, color or finish, sheen, drawer front construction, drawer system, box material and integrated hardware (if needed).

6. For each item ordered, specify all that apply: SKU (using UltraCraft nomenclature from the Spec Guide), quantity of each item, left or right hinge on single-door cabinets, finished ends on exposed sides (for all finishes except Matte White), and any special instructions (example: dimensions on cabinet modifications or any optional upgrades).
7. Include an authorized signature.

### Companion Forms

For special or modified items, submit the required **design forms** or a **Request For Specials Form** with drawings. (Download any forms from OneTouch). If "specials" were quoted prior to ordering, include quote drawings with your order.

Complete and submit the required **Awareness Form**.

**Standard Order Form**

Page 1 of 1

All pages of this order must be submitted together. If e-mailing to mailorders.uc@masterbrand.com, it is recommended to flatten PDF forms (Print-to-PDF).

mailorders.uc@masterbrand.com Phone: (800) 262-4046 Fax: (800) 464-0146 6163 Old 421 Road, Liberty, NC 27298 www.ultracraft.com

SOLD TO

Customer Account # 77777

Name Kitchen Designers

Address 2482 Main St.

City Orange State CA Zip 94923

Phone 925-453-1234

Fax 925-453-1235

E-mail jones@kds.com

Order Written By Michael Jones

SHIP TO

Name Harwell Distributing

Address 13850 Central Ave. #200

City Chino State CA Zip 91710

Tag For Smith

Contact Name John Smith

Contact Phone 000-000-0000

Contact Email smith@harwell.com

ORDER INFORMATION

Order Date 12/18/19

Purchase Order # 99024

Remodel  New Construction

Date Requested 02/22/20

Ship With P.O. No.:

PPRA#

Promo Code

Designer ID

DOOR STYLE: Mission II WOOD SPECIES: COLOR/FINISH: Satin White

DISTRESSING: GLAZE: SHEEN:  STANDARD  LOW

DRAWER FRONT:  SLAB  5-PIECE DRAWER SYSTEM: BOX:  ENGINEERED FURNITURE CORE  PLYWOOD

INTEGRATED HARDWARE: Available on Piper, Metropolis, South Beach and Activa II DOOR:  C-PULL or  L-PULL DRAWER:  C-PULL or  L-PULL

ITEM NO.	QTY.	ITEM DESCRIPTION	HINGE L OR R	FINISHED END L R OR B	COMMENTS OR SPECIAL INSTRUCTIONS	LIST PRICE
1		BCPC3090		R		
1		BPO30		R	Dovetail drawer only	
1		BPO30		R	Dovetail drawer only	
1		BPO36		L		
1		VBT18-18	L			
1		BREC18	R	R	Dovetail drawer	
1		Panel 5/8" x 36"w x 72" h			Edgeband all edges	
1		BC301290		B		
1		DB21			Dovetail upgrade - Full ext.	
1		FSEP3196			No toe kick cut out	
1		W3036F		R		
1		W3018				
4		TKST			Matching	

NOTES:

	PRODUCT COST	
	SALES TAX	
	FREIGHT	
	TOTAL COST	

AUTHORIZED BY: \_\_\_\_\_

**ORDER INSTRUCTIONS:**

1. To order Job Completion parts or Replacement parts, use Job Completion/ Replacement Parts Order Form.	2. All orders are subject to acceptance by UltraCraft.	3. Any incomplete or illegible orders will be returned.	4. Order only one (1) door style and finish per order.	5. Use only UltraCraft nomenclature descriptions.	6. Attach drawing for special items.	7. Hardware, literature & samples cannot be combined with any other order.
--	--	---	--	---	--------------------------------------	--



## Doing Business with UltraCraft

### Order Changes

UltraCraft cabinets are custom-built for you when you place an order. This allows us to offer you incredible flexibility. A change can be very costly in both time and money.

Review your order carefully. Double-check measurements and design configurations, and then review it one more time.

24 to 48 hours after we have entered and scheduled your order for production, we will fax you and your sales representative an order **Acknowledgement**. You have a full 24 hours to review orders.

To make a change or correction at this time, please **clearly** note these on your **Acknowledgement** and resend to us by fax or email.

We will send you a new **Acknowledgement**. *Changed items will be noted as such and new items added at the bottom.*

If you change more than 25% of your order, you will need to cancel that order and submit a new, clean order. Your leadtime may change.

#### Change/Cancellation Fees

If you have changes or cancel during the review period, there will be no fees charged. Changes and cancellations made after your review period will be subject to fees as follows:

- \$315.00 will be charged for changes/cancellation after the cut-off but on the same day.
- \$315.00 + 25% will be applied for all requests made 24 hours after the Acknowledgement review period.
- No Changes/Cancellations will be accepted 48 hours after Acknowledgement review period expires.

Day 1	Day 2	Day 3	Day 4	After Day 4
Order Acknowledgement Sent	24-hour Review Period Changes/Cancellations No Charge	Approve Acknowledgement before 8:00 a.m. EST Cut-off Changes/Cancellations after Cut-off \$315.00 net	Changes/Cancellations \$315.00 net plus 25%	Changes/Cancellations Not Accepted

### Shipment Notification

The week before shipment you will receive a call from Delivery Services regarding delivery of your order. If your order is delivering on our truck, you will be advised of the day, time, and which orders are being delivered. If we do not have a truck in your area that week, we will call with the carrier options for your area, and approximate travel time. If you wish you can then request that your shipment be held for our next truck delivering in your area.

### Accepting Deliveries

Dealer will arrange for at least two (2) able-bodied people to unload the cabinets from the trailer. Driver(s) will be responsible for tailgating the cabinets.

Verify delivery of each item by comparing UltraCraft's Packing List to the label on each carton before signing off on the delivery. All damages or shortages must be noted on the Bill of Lading at the time of receipt. Delivery services will arrange for reorders on these items within 24 hours. These items will fall under Quick Ship lead times. Concealed damages to goods must be reported within fifteen (15) days of receipt and require a Dealer-generated RPO for replacement.

# Cycle Ship Example



THE ULTRACRAFT® COMPANY  
 6163 OLD 421 ROAD  
 LIBERTY, NC 27298  
 (800) 262-4046

FEBRUARY 15, 2018

## CYCLE SHIP SCHEDULE - ZONES 1 & 4

Wednesday Cutoff - Noon, East Coast Time

Zone	4 Week Leadtime	5 Week Leadtime
<b>Zone 1</b> Florida	<b>Foil</b>	<b>Wood</b>
	<b>Eurotek</b>	<b>UltraLux</b>
<b>Zone 4</b> Connecticut Delaware E. Pennsylvania Maine Maryland Massachusetts New Hampshire New Jersey Rhode Island Vermont Virginia Washington D.C.	<b>Melamine</b>	
	<b>Metal</b>	
Order by Noon Wednesday	Deliver Week Of:	Deliver Week Of:
03/07/18	04/02/18	04/09/18
03/14/18	04/09/18	04/16/18
03/21/18	04/16/18	04/23/18
03/28/18	04/23/18	04/30/18
04/04/18	04/30/18	05/07/18
04/11/18	05/07/18	05/14/18
04/18/18	05/14/18	05/21/18
04/25/18	05/21/18	05/28/18
05/02/18	05/28/18	06/04/18
05/09/18	06/04/18	06/11/18
05/16/18	06/11/18	06/18/18
05/23/18	06/18/18	06/25/18
05/30/18	06/25/18	07/02/18
06/06/18	07/02/18	07/09/18
06/13/18	07/09/18	07/16/18
06/20/18	07/16/18	07/23/18
06/27/18	07/23/18	07/30/18
<b>07/04/18</b>	07/30/18	08/06/18
07/11/18	08/06/18	08/13/18
07/18/18	08/13/18	08/20/18
07/25/18	08/20/18	08/27/18

\* cut off orders for 7/4 must be received by noon 7/3

WWW.ULTRACRAFT.COM

UltraCraft Cabinetry is  
 a brand of Norcraft Companies.  
 Norcraft Companies is  
 a part of the MasterBrand  
 Cabinets Family.

*For example purposes only. All times are Eastern Standard Time.*

# Packing List Example



## Packing List

UltraCraft  
6163 Old 421 Rd  
Liberty, NC 27298

PO#: FMGMULFORD

DATE SHIPPED: 02/20/2020  
CARRIER: TRUCK  
LOAD NO: TEST for Packing List\_EN  
STOP: 0

SHIP TO: DEALER NAME  
STREET ADDRESS  
ROCKFORD, IL 61114-2921  
18152822222

SOLD TO: GAMBINO HOMES, LLC  
3815 N. MULFORD RD.  
ROCKFORD, IL 6114-2921  
18152822222

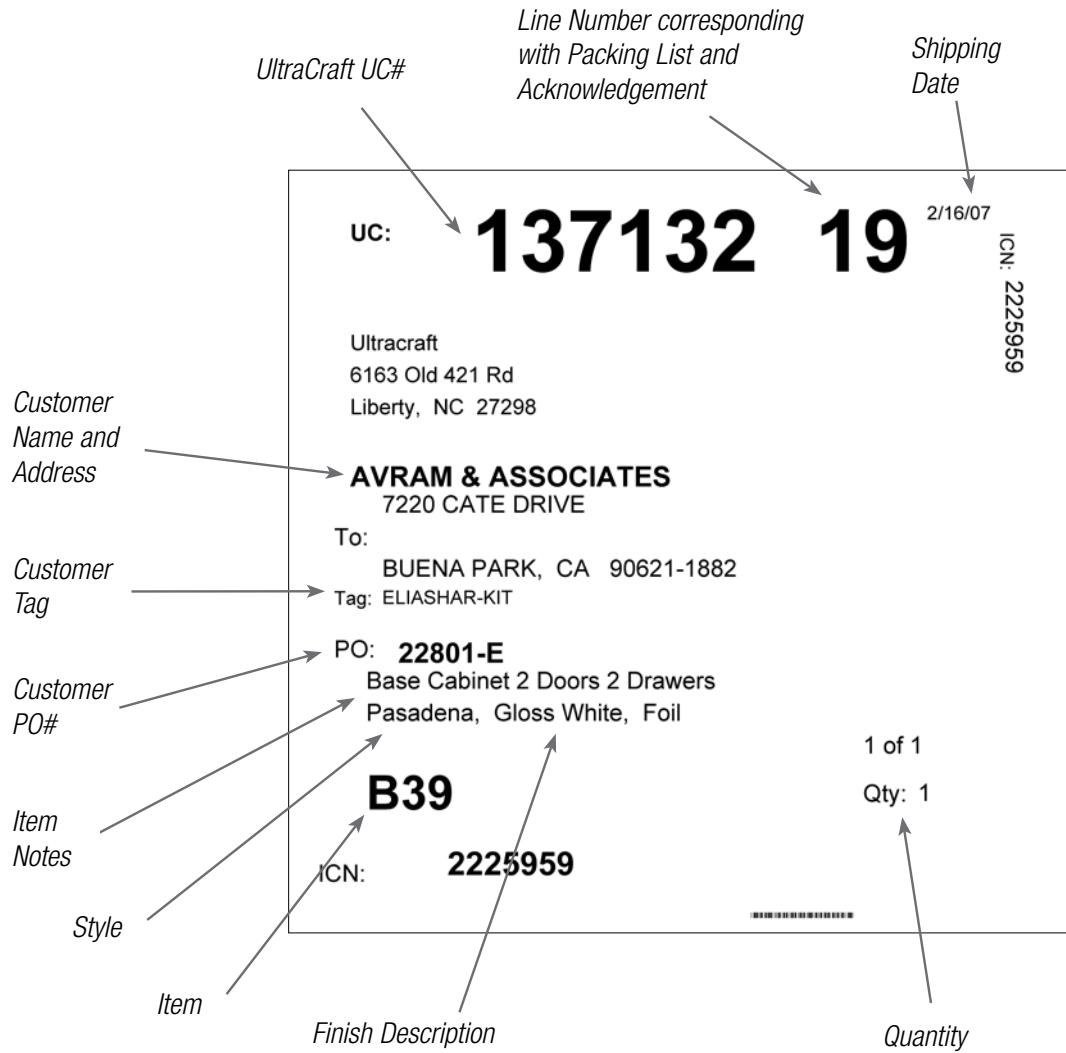
UC#: 132619  
CUST/SHIP: 31380

TAG: FRANS DESK

LINE NO	ORDER QUAN	SHIP QUAN	BACK-ORDER	CARTON NUMBER	ITEM	DESCRIPTION
2	1		1	ICN2046682	FDB18	<b>Desk File Base Cabinet</b> F/E: Both Adriatic Dovetail Box/Tandem 24" White Interior Gloss White File Base
3	1		1	ICN2046681	HD30	<b>Hanging Drawer</b> F/E: None Adriatic Dovetail Box/Tandem 21" White Interior Gloss White
4	1		1	ICN2046683	DDB15	<b>Desk Base Cabinet w/ 3 Drawer</b> F/E: Both Adriatic Dovetail Box/Tandem 21" White Interior Gloss White Three Drawers
5	1		1	ICN2046656	ACP965/8	<b>Accessory Panel</b> 5/8" Thick Gloss White No Edgebanding
	1		1	ICN2046657	ACP965/8	<b>Accessory Panel</b> 5/8" Thick Gloss White No Edgebanding
6	1		1	ICN2046658	DOOR	<b>Replacement Door</b> Adriatic Gloss White Width - 20 13/16 Height - 36 3/8
7	1		1	ICN2046659	DOOR	<b>Replacement Door</b> Adriatic Gloss White Width - 23 7/8 Height - 36 3/8
8	1		1	ICN2046660	DOOR	<b>Replacement Door</b> Adriatic Gloss White Width - 14 13/16 Height - 36 3/8
9	1		1	ICN2046661	DOOR	<b>Replacement Door</b> Adriatic Gloss White Width - 23 7/8 Height - 36 3/8
10	1		1	ICN2046662	DOOR	<b>Replacement Door</b>

Doing Business with UltraCraft

Shipping Label Example





# Job Completion and Warranty Parts Orders

## Parts Orders

Job Completion orders are additional items needed to finish a job. These orders are chargeable and will incur a 15% premium, plus shipping.

Warranty Parts orders are non-chargeable items needing replacement due to manufacturer error or damage. All damage claims must be reported within 15 days of delivery. In some cases, you may be required to return the original cabinet or part to UltraCraft for credit.

Orders must be received by 10:00 a.m. (eastern standard time) to receive same-day processing. All orders are final.

**Changes/cancellations are not allowed.**

## Shipping

Indicate preferred method of shipping on the order: UltraCraft truck or Courier\*. If no preference is indicated, items will be shipped ground delivery, where possible, for quickest lead time.

All items will ship by the longest lead time. "Ship Date" is the date your product is scheduled to leave the factory, not the date you will receive it.

Freight charges apply to all chargeable parts orders, unless shipped with a cabinet order noted at time of order.

\* Courier will not ship items over 150 pounds, over 150" in length and girth combined, and only up to 108" in length. UltraCraft WILL NOT ship cabinets via Courier.

## Color Matching

For certain finishes, you or UltraCraft, may request a sample for color matching. Samples must be at least one square foot and include the door profile. (Panels, fillers, mouldings, etc. are not acceptable.) Shipping the sample is the dealer's responsibility. Because the color can darken dramatically in a short time, we will not attempt a color match on Cherry species.

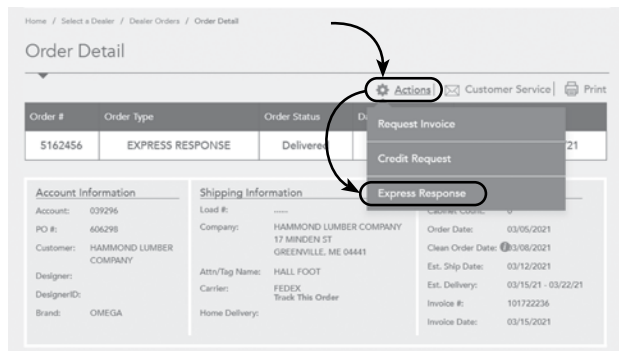
**Color matching adds 3 days to the lead time. Schedule begins upon receipt of the sample.**

All chargeable color-match orders incur a 20% upcharge with a minimum \$100 NET charge.

## Express Response Order System

To accelerate processing and lead times, MasterBrand has initiated a self-service **Express Response** (or ER) ordering system on OneTouch for most Job Completion and Warranty Part orders. You can quickly choose from a list of line items on the original order for the replacement you need. Orders entered through this online system will be processed with expedited lead times. Billable add-ons can be ordered here if they relate to a previous order, and Rush Fees will be waived.

To order, log in to [mbci1touch.com](http://mbci1touch.com). Select "Order Information" and navigate (Select a Dealer > Dealer Orders > Order Number) to the "Order Detail" screen of the order needing parts. Choose **Express Response** from the "Actions" drop-down menu.

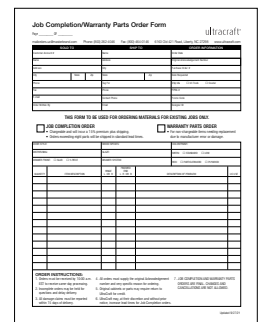


## Job Completion and Warranty Parts Order Form

This is the existing "fillable" form, submitted via email.

Express Response is not available for all orders. On these occasions, use the **Job Completion and Warranty Parts Order Form**. Download the form from OneTouch and fill in completely to avoid delays. Indicate the original Order, PO, and/or Acknowledgement numbers and specific reasons for ordering. Standard lead times apply. For instance:

- You need a product that does not relate to a previously placed order.
- You need to add an item to an order that has been Acknowledged but not invoiced. Indicate that you have not yet been invoiced.
- You need to upload image files that end in formats other than .jpeg, .jpg, or .png; such as .pdf.
- You need to order a part for an order that is more than 12-months old.
- You need a part in a current, approved custom color, but the original order is no longer on ER. (If the approved color sample has expired, order a new sample door.)



For step-by-step instructions, locate the **UltraCraft Express Response Job Completion Orders training document**, also on OneTouch, under "Announcements" > General Updates.

continued >>

## Job Completion and Warranty Parts Orders

### Quick Ship Lead Times

<b>4 Working Days</b> from day of Acknowledgement	<b>6 Working Days</b> from day of Acknowledgement	<b>8 Working Days</b> from day of Acknowledgement	<b>Exceptions</b> add days to production time
Hardware	Cabinet, box only	Doors and Drawer Fronts	Add 1 day for engineered specials; Prairie, Quarter-Round, X Lite and Double Arch doors prepared for glass; and Richmond II
In-stock Accessories	Drawer Boxes	Stained Cabinets and Components	
Edgebanding	Doors Prepared for Glass	Painted Cabinets and Components	Add 2 days for Drawer Prepped for Plumbing; Finition Cutlery; Charging Unit; and Walnut Drawer Box
Skins: Eurotek, Thermofoil, UltraLux, and Metal	Melamine Cabinets and Components	Wood Veneer Cabinets and Components	
	Thermofoil Cabinets and Components	Panels: Wainscoting, Decorative, and Appliance	Add 4 days for Leaded and Beveled Glass; Glass Shelves; and UltraLux Doors and Drawer Fronts
	Skins: Painted and Veneer	Fillers and Profiled Fillers	
		Mouldings and Light Rails	

### Determining Your Ship Date

To determine the date that your part will ship on the next UltraCraft Truck, or via Courier, please follow these rules:

Count out the number of days indicated on the Quick Ship Lead Times (above) beginning the day after your order is placed. This is the final day of production and packaging for your order.

#### Shipping by UltraCraft Truck

If the last day of production for your order is a **Monday, Tuesday, or Wednesday**, your part will be scheduled to ship the following Monday.

If that day is a **Thursday or Friday**, your part will be scheduled to ship a week from the following Monday.

Zone 9 dealers: check your Cycle Ship Schedule to ensure a truck will be delivering in your zone that week. If not, please move your ship date forward an additional week.

#### Shipping by Courier

If you have chosen to have your part delivered via Courier, your order will ship the day following the last day of production. *Cabinets, must ship via UltraCraft truck.*

Please see the examples below. *Holidays and non-production days may disrupt this schedule.*

#### Example 1

If you order a Thermofoil Profiled Filler – 8 days – on Wednesday, the last day of production is a Monday. You can choose Ship by Courier on Tuesday or by UltraCraft Truck the following Monday.

Monday	Tuesday	Wednesday	Thursday	Friday
		Order Received by 10 a.m.	<b>1</b>	<b>2</b>
<b>3</b>	<b>4</b>	<b>5</b>	<b>6</b>	<b>7</b>
<b>8</b> Last Day of Production	<b>Ship by Courier</b>			
<b>Ship on UltraCraft Truck</b>				

#### Example 2

If you order Melamine shelves – 6 days – on Wednesday, the last day of production is a Thursday. You can choose to ship via UPS on Friday or via UltraCraft Truck a week from the following Monday.

Monday	Tuesday	Wednesday	Thursday	Friday
		Order Received by 10 a.m.	<b>1</b>	<b>2</b>
<b>3</b>	<b>4</b>	<b>5</b>	<b>6</b> Last Day of Production	<b>Ship by Courier</b>
<b>Ship on UltraCraft Truck</b>				

<< continued



# CABINET CARE

Your cabinetry is designed to withstand normal, daily household activities and should be treated like fine furniture. Follow these simple recommendations to care for your cabinetry:

## **WOOD AND EUROTEK CABINETRY**

The tough, catalyzed varnish protecting your cabinetry should resist foods, beverages and household agents normally found in today's homes.

## **WOOD, MELAMINE, METAL, THERMOFOIL AND EUROTEK CABINETRY**

Clean cabinet exteriors and interiors using a soft, damp cloth (not a paper towel) and a mild, non-detergent soap (we recommend 100 parts water and 1 part liquid dish soap). Dry immediately. Do not use abrasive soap pads, abrasive cleansers, steel wool, bottled spray cleaners, solvent-based cleaners or cleaners containing bleach. Wax or polish is not necessary and is not recommended. Excessive moisture can damage the finish. Do not spray cleaner directly on cabinet or allow moisture to seep into seams or joints. Do not leave damp cloths draped over cabinet doors or drawers.

## **THERMOFOIL CABINETRY**

Thermofoils, while very durable, can be damaged by excessive heat. Properly-installed Heat Shields protect cabinets adjacent to ovens, ranges and dishwashers. As a precaution, open doors and drawers away from an oven during high-temperature, self-cleaning cycles. Also, pull countertop appliances, such as toasters, ovens, grills, or coffee makers, out from under the cabinetry before use. Damage caused by excessive heat is not covered under warranty.

## **ULTRALUX CABINETRY**

The high-gloss surfaces of UltraLux are covered with a protective film from the manufacturer. Remove the film after cabinet installation. To clean, use a micro-fiber cloth or other very soft cloth with a non-abrasive soap or detergent. Do not use paper towels, brushes, scourers or scrapers. Avoid harsh household cleaners and abrasives such as acetone, chloroform, benzene, ammonia,

thinners, caustic soda, toluene, xylene, dichloromethane, amyl acetate, glacial acetic acid, butyl alcohol, butyl acetate, Cellosolve, cresols/phenols, ethyl acetate, chlorinated solvents, halogenated solvents, methyl alcohol, methyl ethyl ketone and sink and toilet bowl cleaners. Safely remove any adhesive near the edges with mineral spirits.

## **REPAIR KIT**

Small nicks and scratches that occur during daily use can be repaired using the products in the Touch-up Kit. Follow all instructions and keep all products out of reach of children.

**MARKER:** Capillary markers are ready to use, just remove the cap. Valve Markers require shaking to mix the contents. Depress the valve to start the flow, careful not to over-flood the felt tip.

**FILL STICK:** Fill damages with the stick and gently remove excess material by rubbing with a clean, dry, lint-free cloth.

ultracraft®

NEW!

# UltraCraft Advantages



## MODERN SELECTION. PREMIUM PARTNERSHIP.

- Premium Full-access construction
  - EPP-Certified Engineered Furniture Core or Plywood
  - Wood Dovetail or Metal (Blum® Legrabox) soft-close drawer systems
  - Soft-close doors with precise alignment
  - Hinges and glides warrantied by Blum®
  - Easy-to-clean melamine interiors
  - Easy to install
- Doors in Wood, Acrylic, Textured Melamine, Thermofoil, Eurotek, Metal, and Wood in thousands of finish combinations
- Storage and organization accessories from top manufacturers like Kesseböhmer and Century
- Comprehensive selection of matching mouldings, trim and finish parts
- Made in America from domestically- and globally-sourced components
- Attention to customer feedback
- Trending product analysis
- Custom sizing to 1/16"
- No-charge modifications
- Easy, single upcharge for Premium finishes
- 4- to 5-week lead time
- 99% complete/on-time
- 100-Year Limited Warranty from UltraCraft

ultracraft®

continued >>

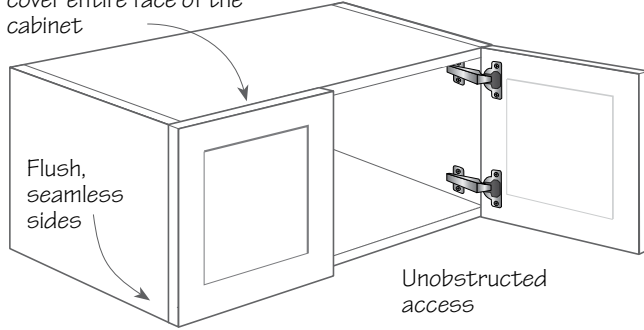




# UltraCraft Advantages

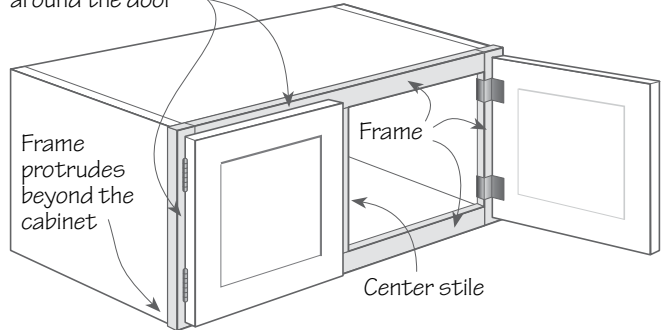
## FULL ACCESS CONSTRUCTION

True Full Overlay: doors cover entire face of the cabinet



## FRAMED CONSTRUCTION

Reveal of the frame shows around the door



## FULL-ACCESS DESIGN

### UNOBSTRUCTED ACCESS

A full access, or frameless, cabinet has no knuckle-nicking frame or center stile to impede access to stored items. Cleaning is easier too.

### THE CLEANEST LOOK

Instead of a frame sticking out beyond the box, cabinet sides are seamless and flush.

Doors cover the entire face of the cabinet. It's called *true full-overlay*, and it's key to a clean, modern look.

### 15% MORE STORAGE SPACE!

Best of all, with no frame stealing space from cabinet interiors and drawers, full-access cabinets have up to *15% more storage space!* Go ahead and buy those large plates you've had your eye on.

## LEADING-EDGE FASHION, FUNCTION, AND FIT

### SO MUCH TO CHOOSE FROM!

We offer a comprehensive selection of today's most-popular styles, finishes and materials from high-gloss to UltraMatte: acrylic, textured melamine, thermofoil, Eurotek, metal, glass, and of course, classic wood. No worries! Your professional UltraCraft kitchen designer will help you choose.

### FINE FURNITURE FINISHES

If wood is your style, we offer Oak, Maple, Cherry, Rustic Cherry, Alder, Rustic Alder, Red Birch, and Walnut. Select from our palette of stains, paints, custom paints, glazes, Linen and distressed artisan finishes. All hand-crafted with our 14-step finish process.

### CUSTOM STORAGE OPTIONS

Outfit your kitchen with accessories for the way you live: pantries, drawer organizers, spice and wine racks, waste and recycle bins... And, your home doesn't stop at the kitchen. Explore storage solutions for the bathroom, home office, playroom, and entertainment centers.

### EXPAND YOUR BUDGET

We will custom-modify a cabinet's width, height, and depth, for no charge\*. Finished Ends are no charge, as are Finished Interiors.

\*up to the next standard size cabinet

## CONFIDENCE AND ASSURANCE

### TRY BEFORE YOU BUY

Live with your favorites before you decide. With UltraCraft's super-fast Sample Program you can hold samples of your favorite door styles and finishes in about a week.

### KINDLY MADE, IN AMERICA

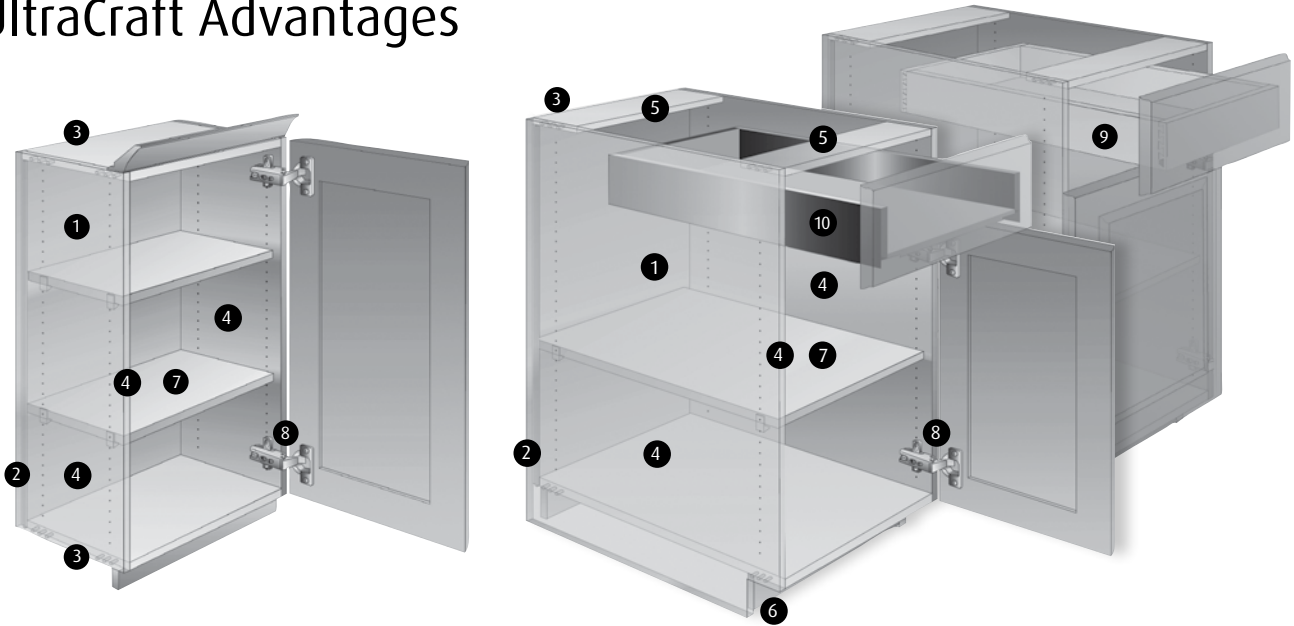
UltraCraft Cabinetry is built in Liberty, NC, in the heart of the country's furniture manufacturing industry, from domestically- and globally-sourced components. We are certified to the KCMA Environmental Stewardship Program and comply with strict CARB II standards.

### 100-YEAR LIMITED WARRANTY

ultracraft®



# UltraCraft Advantages



## PERFORMANCE CONSTRUCTION

### ARCHITECTURAL SPECIFICATIONS

- Cabinet box** is manufactured with 5/8"-thick, environmentally-friendly, EPP-certified Engineered Furniture Core or All-Plywood panels; dowel-and-glue joinery.
- Back panel** is 5/8"-thick, fully-captured, machine-fitted and provides structural integrity and options for installation screws.
- Top, bottom and sides** are flush for easier installation, easier application of footed mouldings and light rails, and a furniture-like appearance.
- Finish** for Top, bottom and sides – inside and out – are in White, Grey or Neutral Woodgrain moisture-resistant melamine. Exposed edges are edgebanded. Total coverage protects against moisture.  
  
**Finished Ends, Finished Interiors and Panels** are color-coordinated with the door finish. Front edges have matching wood or coordinating PVC edgebanding.
- Full-width stretchers**, front and rear, provide solid support and a mounting surface for countertops.
- Toe-space blocking**, front and rear, for stability.
- Shelves** are 3/4"-thick, full-depth, edgebanded, adjustable, and supported with metal shelf clips.
- Hinges** are Blum durable steel, fully-concealed, clip-on/off, self-closing, 110°, 6-way-adjustable (for precision door alignment), with a lifetime manufacturer's warranty and soft-close operation.
- Wood Dovetail Drawers and Pull-outs with Soft Close**  
The drawer box has 5/8"-thick, solid wood on all four sides, dovetail joinery at each corner, and 1/4"-thick, fully-captured bottom, all in natural-finish Birch (standard) or Walnut (upgrade). Soft Close glides allow smooth and silent closing. Glides are a full-extension, tandem, undermount system with a 100-lb. static / 90-lb. dynamic load rating. Glides have a Blum lifetime warranty.  
  
Wood Dovetail Drawers are standard on cabinets with all door styles except UltraLux.
- Metal Drawers and Pull-outs with Soft Close**  
Blum Legrabox. Sides are fingerprint-less metal with a stainless steel look. Bottom and back are 5/8"-thick grey melamine. Soft Close glides are a built-in, full-extension, undermount system with 125-lb. static / 110-lb. dynamic load rating. Glides have a lifetime warranty from Blum.  
  
Metal Drawers are standard on cabinets with UltraLux door styles and available as an upgrade with all other door styles.  
  
**Touch-To-Open**  
An upgrade to the Metal Drawer. Open the drawer by pressing on the drawer front; eliminate the need for decorative hardware.

ultracraft®

<< continued

# Cabinet Construction : Specifications

## Cabinet Materials

### General

- True frameless method of construction: full-overlay doors, fully-concealed hinges, no face frame, and vertical borings at 32mm increments. Reveals around all doors and drawers is 3/32" (2mm)

- Cabinet materials are:  
Engineered Furniture Core – 5/8" thick (3/4" thick on shelves) M2 Particle Board (also known as Engineered Furniture Core because it is specially designed to be used for furniture and cabinetry). M2 Particle Board is Industrial Grade, with an approximate density of 45 lbs/cubic foot. Our Engineered Furniture Core has dense outer cores resulting in increased screw holding strength and is laminated on both sides with thermoset melamine; certified as Environmentally Preferred Panels (EPP) by the Composite Wood Council.

Plywood – 5/8"-thick furniture-grade plywood laminated on both sides with thermoset melamine. We use a composite core MDO (medium density overlay) plywood, which consists of multiple inner plies of a hardwood core and 2 exterior plies of composite material. This combination of composite material and veneer core provides a smoother, improved surface which is ideal for finishing on applications like furniture and cabinetry. Available at a 12% upcharge on Wood and a 15% upcharge on Thermofoil. Bamboo is only available on Plywood and a 12% upcharge will be applied to the entire order.

- All cabinet connections (except backs) are wooden dowels and glue. Backs are rabbit-and-groove, glued and pin-nailed.
- Shelves are edgebanded on the front, full-depth and adjustable, with steel shelf pegs unless otherwise noted. Shelves are 3/4" thick.
- Vertical stretchers are doweled to the front and back of the bottom of Base and Vanity cabinets. The front stretcher is set back 1mm from the toe kick notch and 1/4" off the floor. The back stretcher is set back 18mm (3/4") from the back cabinet edge and 1/4" off the floor.
- Horizontal stretchers are doweled to the front and back of Base and Vanity cabinets. The front stretcher is set flush with the face and top edge of the end panels. The back stretcher is set flush with the top of the end panels and captures the back. On Sink Bases, the front stretcher is placed vertically to allow for sink installations.

- Cabinets 42" and wider (except cabinets with doors prepared for glass and sink base cabinets) and all 24" deep cabinets 39" and wider, have a center support stile. Center support stiles are 1" x 1 1/4" (1 1/4" x 2 1/2" in blind base cabinets). Cabinets with Wood door styles have center stiles in coordinated wood veneer. Cabinets with Deluxe Veneers, Thermofoil, UltraLux, Metal, Melamine and Eurotek door styles have center stiles in white, grey or neutral woodgrain melamine.

### Cabinet Interiors and Exteriors

- See Program Summaries in Wood, Deluxe Veneers, Thermofoil, UltraLux, Metal, Melamine and Eurotek sections.
- Standard cabinet case is finished in white, grey or neutral woodgrain melamine.
- Coordinated finished backs are not available, use optional paneling.
- Finished Exterior Ends are available for exposed ends only and must be specified. (See Program Summary charts for Finished Ends material.)
- Finished Interiors are an available option and must be specified. Finished Interiors are available only in finishes coordinated to the cabinet exterior.

### Edgebanding

Cabinets feature matte PVC edgebanding. The top, bottom and back of each cabinet and the front and back of each shelf are edgebanded in neutral woodgrain, white or grey PVC. The face exposed edges of all cabinets are edgebanded in coordinated PVC edgebanding.

*Edgebanding exceptions:* Cabinets with exposed wood veneer interiors feature coordinated wood veneer edgebanding. Cabinets with Acrilux II door styles feature aluminum silver edgebanding on the front of the cabinet and the front and back of exposed cabinet shelving.

### Fillers

All fillers may be scribed to accommodate exact openings. Fillers are shipped unassembled. All overlay fillers are designed to be applied flush with face of cabinet doors. They are profiled and door height. Sub-fillers are applied flush with cabinet front. In order for Overlay Fillers to lie on the same plane as the doors, door bumpers should be installed between the Overlay Filler and Subfiller.

### Heat Shields for Thermofoil Door Styles

Properly-installed heat shields required or warranty is void. One set of white heat shields are shipped with every Thermofoil sink base ordered. Black, Almond or Stainless Steel heat shields are also available, see page 17.9.

### Toe Kick Cover

Toe kick cover material is not included and must be ordered as an accessory. See page 14.1.

### Toe Kick Platform

All Tall cabinets are shipped with an unattached Toe Kick Platform. See page 14.1. Toe Kick Platforms are undersized to provide a recessed end.

## Hinges

Standard hinges are soft close, fully-concealed, 110°, clip-on, steel, soft-closing, spring-loaded and can be individually adjusted six ways (at least 2mm each direction) to ensure accurate door alignment. [See page 1.8.](#) Doors automatically close when within 10° of the cabinet. Optional free-swinging hinges are used on most cabinets with touch latches. Certain corner wall and base cabinets use a 170° hinge. Optional soft-close pistons are available to clip onto alternative hinges. Hinges carry a lifetime manufacturer's warranty.

## Drawers & Pull-outs

Drawers are available in Wood Dovetail or Metal Drawer systems. Whichever system is selected must be used on the entire cabinet order; mixing drawer systems is not allowed. Drawer glide systems carry a lifetime manufacturer's warranty.

**Wood Dovetail Drawer with Soft Close** is standard on cabinets with all door styles except UltraLux, which comes standard with Metal Drawer with Soft Close. The Wood Dovetail drawer box has 5/8" thick, solid wood on all four sides, dovetail joinery at each corner and a 1/4" thick, fully-captured bottom, in Birch (standard) or Walnut (upgrade) in a Natural finish. Soft Close glides allow smooth and silent closing. Glides are a full-extension, tandem, undermount system with 100 lb. Static / 90 lb. Dynamic load rating. Soft Close glides are available on cabinets 12", 15", 18", 21" and 24" deep.

Drawer fronts are secured to the Wood Dovetail Drawer box with either two adjustable screws or metal fittings between the drawer front and drawer box. Decorative hardware screws further secure the drawer front to the box. If no hardware is used, fixing screws must be used.

continued >>

# Cabinet Construction : Specifications

**Wood Dovetail Pull-out with Soft Close** is standard on cabinets with Wood Dovetail Drawers when pull-outs have been selected. The Wood Dovetail pull-out box has 5/8" thick, solid wood on all four sides, dovetail joinery at each corner and a 1/4" thick, fully-captured bottom, all in Birch (standard) or Walnut (upgrade) in a Natural finish. Soft Close glides are a full-extension, tandem, undermount system with 100 lb. Static / 90 lb. Dynamic load rating. Soft Close glides are available on cabinets 12", 15", 18", 21" and 24" deep.

## Metal Drawer Systems

**Metal Drawer with Soft Close** is standard on cabinets with UltraLux door styles. It is an upgrade for cabinets with all other door styles.

**Metal Drawer with Soft Close and Touch-To-Open** is an upgrade for cabinets with any door style. Touch-To-Open allows you to open the drawer by pressing on the drawer front, eliminating the need for decorative hardware.

The box for both is the Blum Legrabox. Sides are fingerprintless metal with stainless steel look. Bottom and back are 5/8"-thick grey melamine. Soft Close glides are a built-in, full-extension, undermount system with 125 lb. Static / 110 lb. Dynamic load rating. Soft Close glides are available on cabinets 15", 18", 21" and 24" deep. Metal Drawer is not available on cabinets with drawers 14<sup>15/16</sup>" high and taller, and less than 21" deep.

**Metal Pull-out with Soft Close** is standard on cabinets with Metal Drawers when pull-outs have been selected. The pull-out box is the Blum Legrabox. Sides and front are fingerprintless metal with stainless steel look. Bottom and back are 5/8"-thick grey melamine. Soft Close glides are a built-in, full-extension, undermount system with 125 lb. Static / 110 lb. Dynamic load rating. Soft Close glides are available on cabinets 15", 18", 21" and 24" deep. Metal Pull-outs are not available with Touch-To-Open.

Drawer glide systems are detailed on [page 1.9](#).

Drawer fronts for all top drawers are 6<sup>1/8</sup>" high unless otherwise noted.

## Doors and Drawer Fronts

Door styles are available in Eurotek, Melamine, Thermofoil, Wood, Aluminum and UltraLux in thousands of color and finish combinations. Doors and drawer fronts are not grain-matched, book-matched, or bank-matched. Grain patterns may or may not align.

**Eurotek** – All door, drawer front, and accessory parts are finished with the exclusive, and cost-effective, Eurotek Veneer with a color-fast and durable finish.

Eurotek Veneer is laminated onto a MDF core which eliminates expansion and contraction variances normally associated with solid wood. Eurotek Veneer also provides a consistent appearance which enhances overall beauty and splendor.

**Melamine** – A melamine resin is pressure- and heat-fused through a layer of color into 5/8"-thick, industrial-grade, engineered furniture core. Melamine doors and drawer fronts are dimensionally stable, moisture resistant, and do not promote the growth of bacteria. See Melamine Program Summary on page 7.1.

Melamine should be cleaned using a soft cloth (not paper towels) and a mild, non-abrasive cleanser and dried immediately. See Care and Cleaning Guide on [page DB15](#).

**Thermofoil** – Rigid thermofoil (RTF) doors are rigid vinyl heat-and-vacuum applied over a sculpted, 3/4"-thick, medium-density fiberboard (MDF) core. Thermofoils may delaminate if exposed to heat generated from ovens or other countertop appliances. Factory-supplied Heat Shields must be properly installed flush to the face edge of the door on cabinets adjacent to ovens. Countertop appliances such as toaster ovens and coffee makers should be pulled forward on the countertop out from under the cabinetry before use. Radiant warming lamps adjacent to cabinetry should only be used with adequate ventilation. Damage caused by excessive heat is not covered by warranty. See Thermofoil Program Summary on page 4.1-4.3.

Thermofoil should be cleaned using a soft cloth (not paper towels) and a mild, non-abrasive cleanser and dried immediately. See Care and Cleaning Guide on [page DB15](#).

**Wood** – Wood doors are 3/4"-thick and available in Oak, Alder, Rustic Alder, Maple, Cherry, Rustic Cherry, Red Birch, Walnut and Bamboo. Backs of Wood doors are stained or painted to match the fronts but do not receive any of the following specialty finish treatments: Aged, Rubbed, Worn, Vintage, Heritage, Linen or Glazed. Doors are manufactured of solid wood or veneers or a combination of both. Painted Wood doors (without distressing packages) are constructed with MDF center panels to reduce panel movement and ensure a smooth, even surface. The Slab door, when painted, is also constructed entirely of MDF. Wood doors are manufactured using panel and frame construction. Door frames are made using mortise-and-tenon or mitered joining methods. Mitered doors are not recommended in areas of high humidity where climate controls are not always in use. See Wood Program Summary on pages 2.1-2.15.

As with wood furniture, Wood doors should be cleaned using a soft cloth (not paper towels) and a mild, non-abrasive cleanser and dried immediately. See Care and Cleaning Guide on [page DB15](#).

**Aluminum** – Commercial aluminum with a clear A-1 finish. See Metal Program Summary on page 6.1.

Aluminum doors should be cleaned using a soft cloth (not paper towels) and a mild, non-abrasive cleanser and dried immediately. See Care and Cleaning Guide on [page DB15](#).

**UltraLux** – Constructed by laminating a sheet of acrylic or polyethylene terephthalate (PET) – all thermoplastic materials – to an MDF substrate. See UltraLux Program Summary on pages 5.1-5.3.

Gloss acrylic and PET products are susceptible to scratching and should be cleaned according to the Care and Cleaning Guide on [page DB15](#).

## Natural Wood

### Wood Characteristics

All solid wood species are products of nature in which naturally-occurring variations in color, grain, pattern, textures and density are unique and beautiful. Solid wood expands and contracts with fluctuations in temperature and humidity.

Natural variances are accommodated by constructing doors with strips of wood glued together, using stiles and rails to form a frame

# Cabinet Construction : Specifications

and letting a center panel float within the frame, or using wood veneers. Wood veneers are naturally beautiful, real wood, and have a more uniform appearance than solid wood without the expansion and contraction variances.

All woods will change in color due to exposure to sunlight and natural mellowing with age. Color changes are not noticeable from day to day but may be significant over a long period of time. This natural process can cause noticeable differences between product samples and finished cabinets especially on Cherry wood products. Exact color match with replacement parts is not guaranteed. Variations, within company standards, between samples and the cabinets received will not be reason for replacement.

## Wood Species

**Oak** – Light tan to brown heartwood, creamy white to grey sapwood. Very hard, dense, and heavy wood. Moderately open grain takes finish well. Oak is more resistant to effects of the environment.

**Alder** – A moderately light and slightly soft hardwood with color varying from white and light tan to pale, pinkish brown.

**Rustic Alder** – All the beauty of Alder with natural tight knots, pitch pockets, and character marks.

**Maple** – Creamy white to off-white sapwood, tinged occasionally with slight red-brown heartwood. Very hard, heavy, and strong. Closed grain with uniform texture takes finish well. Maple is very resistant to abrasive wear.

**Cherry** – Red to deep reddish-brown heartwood, white to yellowish sapwood. Medium density and weight. Moderately hard, stiff, and strong. Fine closed grain. Takes a finish well, but light to natural finishes are recommended. Beautiful markings. Red color will darken to a rich, reddish-brown with age.

**Rustic Cherry** – All the characteristics of cherry but with even more natural beauty. Tight knots, pitch pockets, and character marks.

**Red Birch** – Light reddish-brown to pink heartwood, creamy white to yellowish sapwood. Hard wood, medium weight. Uniform, fine grain with small pores. Takes finish very well. Very durable and strong.

**Walnut** – A dense, fine-grained hardwood ranging in color from light to dark chocolate brown. It is warm, rich in color and finishes well.

<< continued

**Deluxe Veneer: Bamboo** – Bamboo is a fast-growing grass. It is fibrous and porous in nature and susceptible to fraying. Bamboo veneer is made by compressing hundreds of shoots together then slicing them into thin veneers. Each veneer has a naturally-occurring, unique pattern and color and the surface will not be smooth after finishing. Bamboo veneer is easily damaged and some touch up in the field is to be expected. Neutral, natural blonde with beautiful growth patterns, grains, and growth joints unique to Bamboo. An eco-friendly, renewable and sustainable resource.

## Wood Finishes

All wood products undergo a multi-step process to achieve a high-quality, fine-furniture finish. Wood doors can be finished with stains or paints. Certain door styles do not lend themselves to certain finishes or finishing techniques. See Wood Finish Program Summary for availability.

**Sheen** – Wood door styles are available in two sheens: Standard Sheen and Low Sheen. Low Sheen must be requested at the time of order except on Rubbed, Worn, Vintage, Aged and Heritage Finishes which are only available with Low Sheen, except Black paint which will have Standard Sheen.

**Paint Finish** – The wood is primed and painted with solid color paint. Due to the movement of the wood joints the paint may show some finish fracture at the joints. This is not considered a defect. All painted doors will have an MDF center panel to reduce expansion and shrinkage and eliminate stave line telegraphing.

**Aged Finish** – An Aged Finish is stained or painted wood, randomly dented with special tools to include stress cracks and sealed with a clear top coat. Aging is a hand-applied technique and will be slightly different on each product. Not available on veneer panel doors. Low Sheen only, except Black paint which will have Standard Sheen.

**Rubbed Finish** – The wood is painted, randomly sanded to reveal bare wood on edges and high points, and sealed with a clear top coat. Back of door is not Rubbed. Rubbed is available on Paints in Low Sheen only, except Black paint which will have Standard Sheen. Available in Glazes where applicable excluding Linen finishes.

**Worn Finish** – An innovative blend of rasping, stress cracks, worm holes, and dents, including smooth worn edges. Available in Stain finishes with Low Sheen only. Not available with veneer center panel doors.

**Glazed Finish** – A glazed finish begins with stained wood which may or may not be distressed or antiqued. A solid color glaze is applied and hand-rubbed away. The glaze collects and remains in crevices and corners of the door's profile. A glaze is not a stain and will not obscure the natural characteristics of the wood. Glazing is a hand-applied technique and will be slightly different on each product. Backs of doors are not glazed.

**Vintage Finish** – The wood is primed and painted with a solid-color paint, then treated with an innovative blend of light glazing, rasping, rub-off, worm holes, stress cracks, dents and smooth worn edges, then sealed with a clear top coat. Back of door is simply painted. Low Sheen only, except Black paint which will have Standard Sheen.

**Heritage Finish** – A combination of Rubbed and Aged finish details. Available on Paints and in Low Sheen only, except Black paint which will have Standard Sheen. Not available with veneer center panel doors.

**Linen Finish** – The wood is primed and painted with a solid-color paint, then lightly, hand-brushed with a Glaze creating a linear, brushed look. Backs of doors are painted without the brushed Linen finish. Hand brushed lines are artistic in effect and as such will not be exactly the same on every door.

Not all finishes are recommended on all door styles. See pages 2.1-2.15 for availability. We strongly recommend that a door sample be purchased before making your selection.

## Awareness Form

Due to natural variations of and environmental effects on wood species and finishes, a signed "Awareness Form" must accompany all orders.

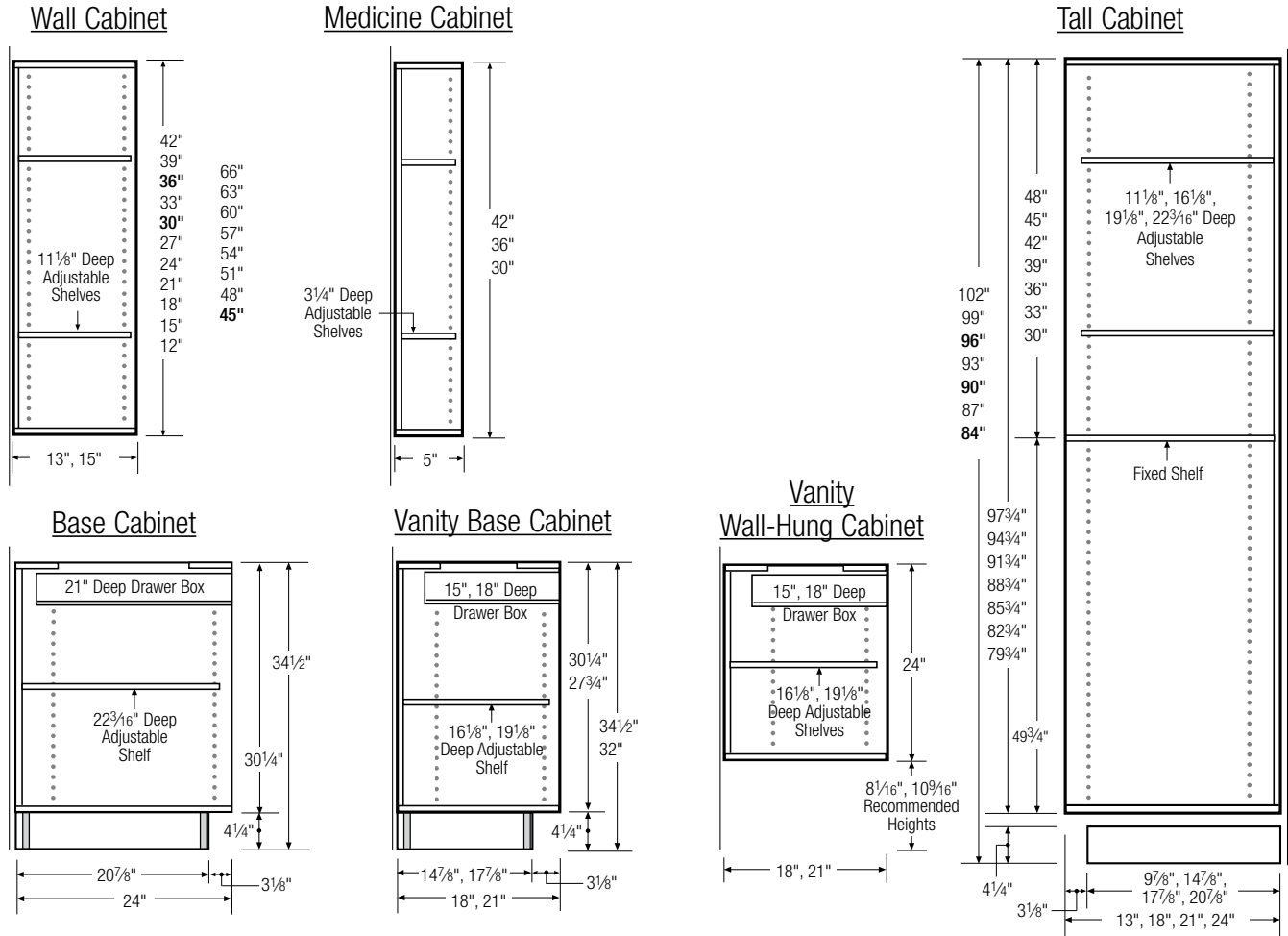
[Find all forms on the OneTouch dealer portal.](#)

## Decorative Hardware

Decorative hardware is required and not included. Care should be taken, to allow for clearance of adjacent cabinets, when using decorative hardware in corner applications.

*In keeping with our practice of continuous product improvement and/or to maximize efficiencies, we may adjust specifications in design and materials as it deems necessary. Where differing materials are utilized, they will be of similar or better quality in keeping with our commitment to quality.*

# Cabinet Construction : Standard Dimensions



STANDARD CABINET DIMENSIONS			
	WIDTH	HEIGHT	DEPTH
Wall	9", 12", 15", 18", 21", 24", 27", 30", 33", 36", 39", 42", 45", 48"	12", 15", 18", 21", 24", 27", 30", 33", 36", 39", 42", 45", 48", 51", 54", 57", 60", 63", 66"	13", 15", 24"
Base	9", 12", 15", 18", 21", 24", 27", 30", 33", 36", 39", 42", 45", 48"	24", 28 <sup>3</sup> / <sub>16</sub> ", 34 <sup>1</sup> / <sub>2</sub> "	21" 24"
Tall	15", 18", 21", 24", 27", 30", 33", 36"	84", 87", 90", 93", 96", 99", 102"	13", 18", 21", 24"
Vanity	12", 15", 18", 21", 24", 27", 30", 33", 36", 39", 42", 45", 48"	24", 32", 34 <sup>1</sup> / <sub>2</sub> ", 45 <sup>1</sup> / <sub>2</sub> "	16", 18", 21"
Medicine Cabinet	12", 15", 24", 30"	30", 36", 42"	5"
Toe Kick		4 <sup>1</sup> / <sub>4</sub> "	
Top Drawer		6 <sup>1</sup> / <sub>8</sub> "	
Hanging Drawer		4", 6 <sup>5</sup> / <sub>16</sub> "	

STANDARD SHELVING	
CABINET HEIGHT	NO. OF SHELVES
0" to 20 <sup>15</sup> / <sub>16</sub> "	0
21" to 29 <sup>15</sup> / <sub>16</sub> "	1
30" to 38 <sup>15</sup> / <sub>16</sub> "	2
39" to 47 <sup>15</sup> / <sub>16</sub> "	3
48" to 56 <sup>15</sup> / <sub>16</sub> "	4
57" and up	5

- No line boring in cabinets with 0 shelves
- For tall cabinets, shelf quantity applies to top section only
- All cabinets are not necessarily available in all combinations of heights, widths and depths or in all door styles
- Tall Cabinets, Fillers, Columns and Panels over 96" high are only available for Wood door styles
- We do not recommend stacking cabinets with different materials or board types, as material thickness may vary and result in an undesired look. For example, if the top cabinet has finished interiors and the the bottom does not, the top cabinet may be slightly wider than the bottom. Slight differences can be caused by: finished interiors, finished ends, mixing plywood and engineered furniture core construction, mixing different programs (ex. Wood and UltraLux). See pages 10.15-10.16 and 10.40-10.41 for our stacked cabinet SKUs or page 9.5 for our stacked cabinet modification to achieve a stacked look

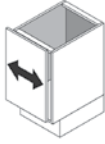


# Cabinet Construction : Precision Alignment

## SOFT CLOSE HINGE

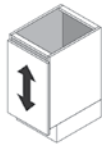
### Side Adjustment

Rotate front screw to increase or decrease door overlay ( $\pm 2\text{mm}$ )



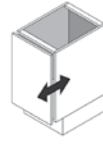
### Height Adjustment

Rotate cam screw on the mounting plate to adjust door position ( $\pm 2\text{mm}$ ).



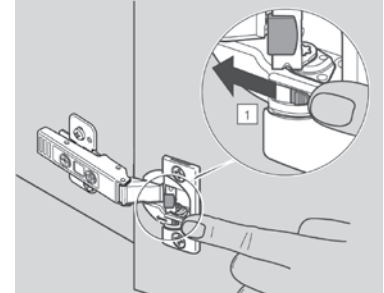
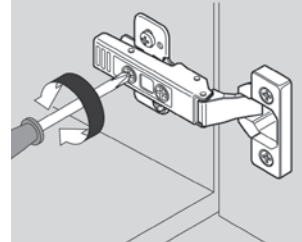
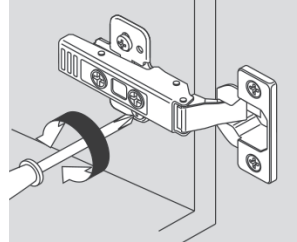
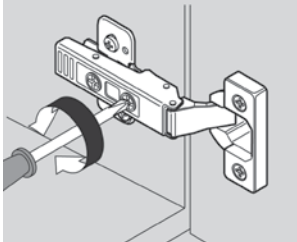
### Depth Adjustment

Rotate rear spiral tech cam screw to adjust door gap (+3mm, -2mm)

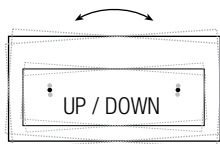


### Soft Close Deactivation

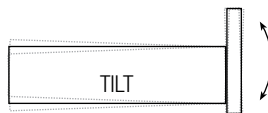
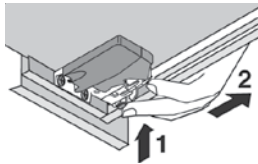
For small or light doors, the Soft Close can be deactivated on one of the hinges. Move switch on hinge cup. Close door once to complete deactivation. To reactivate, move switch back to original position.



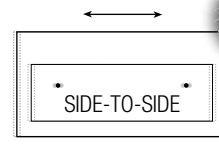
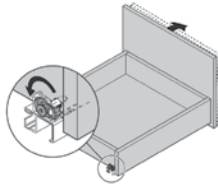
## WOOD DOVETAIL DRAWER with SOFT CLOSE



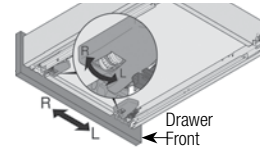
Adjust by sliding grey tab forward or backward. Drawer ships in lowest position. Slide tab backward to raise drawer.



Adjust by twisting the tab at the rear of the glide.



Adjust by sliding grey tab side-to-side. Drawers less than 10<sup>7</sup>/<sub>16</sub>" wide will not have side-to-side adjustment.



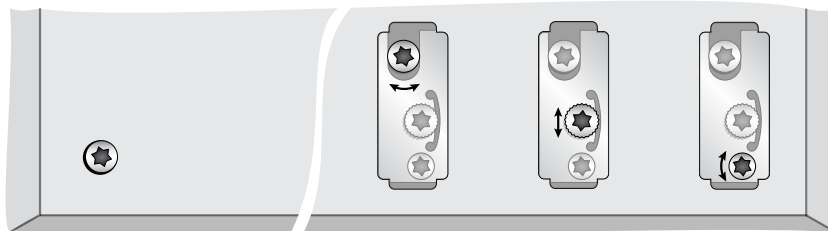
## METAL DRAWER with SOFT CLOSE

TILT ADJUSTMENT

FRONT REMOVAL

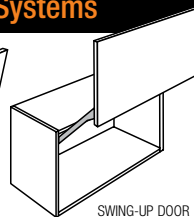
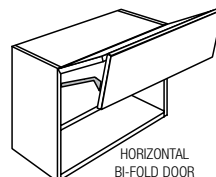
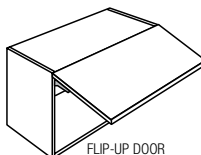
HEIGHT ADJUSTMENT

SIDE ADJUSTMENT



## Flip-Up, Horizontal Bi-Fold, and Swing-Up Door Systems

Call customer service for instructions for precise alignment of these door systems.



# Cabinet Construction : Drawer Systems

## Wood Dovetail Drawer System

### Wood Dovetail Drawer with Soft Close

Standard on cabinets with all door styles except UltraLux; see Metal Drawer. Cannot be combined with any other drawer system on a single order.

- **Drawer Box:** Birch (standard) or Walnut (upgrade) in Natural finish; 5/8"-thick, solid wood all four sides; dovetail joinery all four corners; 1/4"-thick, fully-captured bottom
- **Soft Close Glide:** Tandem, full-extension, undermount with 100 lb. Static / 90 lb. Dynamic load rating. Available on cabinets 12", 15", 18", 21" and 24" deep

### Wood Dovetail Pull-out with Soft Close

Standard on cabinets with Wood Dovetail Drawers when pull-outs have been selected.

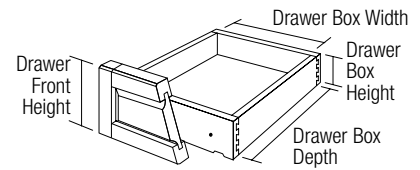
- **Pull-out Box:** Birch (standard) or Walnut (upgrade) in Natural finish; 5/8"-thick, solid wood all four sides; dovetail joinery all four corners; 1/4"-thick, fully-captured bottom
- **Soft Close Glide:** Tandem, full-extension, undermount with 100 lb. Static / 90 lb. Dynamic load rating. Available on cabinets 12", 15", 18", 21" and 24" deep

### Wood Dovetail Drawer Box Standard Dimensions

DRAWER BOX HEIGHT		
Drawer Front Height	Inside	Outside
37/8"	11/4"	2
61/8"	31/4"	4
811/16"	51/4"	6
109/16"	51/4"	6
1113/16"	51/4"	6
1415/16"	91/4"	10
171/2"	91/4"	10

DRAWER BOX WIDTH	
Inside	Outside
Cabinet Width Minus 215/16"	Cabinet Width Minus 111/16"

DRAWER BOX DEPTH		
Cabinet Depth	Inside	Outside
12"	73/4"	9"
15"	103/4"	12"
18"	133/4"	15"
21"	163/4"	18"
24"	193/4"	21"



Drawer front is attached to drawer box with either two adjustable screws or metal fittings concealed between the two. Decorative hardware screws further secure the drawer front to the drawer box. If no decorative hardware is used, use fixing screws.

## Metal Drawer Systems

### Metal Drawer with Soft Close

Standard on cabinets with UltraLux door styles; an optional upgrade on cabinets with any other door style. Cannot be combined with any other drawer system on a single order.

### Metal Drawer with Soft Close and Touch-To-Open

Touch-To-Open allows you to open the drawer by pressing on the drawer front, eliminating the need for decorative hardware. This system is an optional upgrade on cabinets with any door style. Cannot be combined with any other drawer system on a single order.

For both Metal Drawer systems:

- **Drawer Box:** Blum Legrabox; sides are fingerprintless metal with stainless steel look; bottom and back are 5/8"-thick grey melamine
- **Soft Close Glide:** Built-in, full-extension, undermount with 125 lb. Static / 110 lb. Dynamic load rating. Available on cabinets 15", 18", 21" and 24" deep
- Deep Metal Drawer with Soft Close is available on cabinets 15", 18", 21" and 24" deep; not 12" deep
- Not available on cabinets with drawer fronts 1415/16" high and taller, and less than 21" deep
- Not available on drawers with fronts less than 139/16" wide or an overall cabinet width of less than 133/4"

### Metal Pull-out with Soft Close

Standard on cabinets with Metal Drawers when pull-outs have been selected.

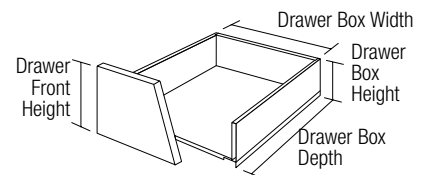
- **Pull-out Box:** Blum Legrabox; sides and front are fingerprintless metal with stainless steel look; bottom and back are 5/8"-thick grey melamine
- **Soft Close Glide:** Built-in, full-extension, undermount with 125 lb. Static / 110 lb. Dynamic load rating. Available on cabinets 15", 18", 21" and 24" deep
- Not available with Touch-To-Open

### Metal Drawer Box Standard Dimensions

DRAWER BOX HEIGHT		
Drawer Front Height	Inside	Outside
61/8"	21/2"	39/16"
811/16"	21/2"	39/16"
109/16"	513/16"	7"
1113/16"	513/16"	7"
1415/16"	85/16"	91/2"
171/2"	85/16"	91/2"

DRAWER BOX WIDTH	
Inside	Outside
Cabinet Width Minus 211/16"	Cabinet Width Minus 17/8"

DRAWER BOX DEPTH		
Cabinet Depth	Inside	Outside
12"	95/8"	105/8"
15"	123/4"	133/4"
18"	143/4"	153/4"
21"	1611/16"	1711/16"
24"	205/8"	215/8"





# Program Summaries : Wood

## Design Notes

- All orders require a signed "Awareness Form", see [OneTouch](#).

WOOD PROGRAM SUMMARY										DOOR STYLES	DOOR BACK	STANDARD CABINET INTERIOR & EXTERIOR	FACE FRONT EDGEBANDING	SPECIFIED FINISHED ENDS	STANDARD DRAWER	STANDARD EXPOSED INTERIOR
Oak	Rustic Alder	Maple	MDF	Rustic Cherry	Cherry	Alder	Red Birch	Walnut								
<del>6</del>	<del>7</del>	<del>7</del>		<del>7</del>	<del>8</del>	<del>8</del>	<del>8</del>		<del>Amherst</del>							
6	7	7		7	8	8	8		Andover							
5	6	6		6	7	7	7		Asheville							
4		5	5		6	6	6		Avon							
5		6	6		7	7	7		Avon Wide							
4		5			6				Boca Raton							
5	6	6		6	7	7	7		Boston							
5	6	6		6	7	7	7		Breckenridge							
5	6	6		6	7	7	7		Breckenridge Wide							
4		5			6	6	6		Bristol							
6		7			8	8	8		Broadview							
<del>6</del>	<del>7</del>	<del>7</del>		<del>7</del>	<del>8</del>	<del>8</del>	<del>8</del>		<del>Brunswick</del>							
<del>7</del>		<del>8</del>			<del>9</del>	<del>9</del>			<del>Carnegie</del>							
4		5			6	6	6		Charlotte							
5		6			7	7	7		Chesapeake							
<del>6</del>	<del>7</del>	<del>7</del>		<del>7</del>	<del>8</del>	<del>8</del>	<del>8</del>		<del>Corona</del>							
6	7	7		7	8	8	8		Crystal Lake							
4		5			6	6	6		Daytona							
4		5			6	6	6		Dennison							
<del>6</del>	<del>7</del>	<del>7</del>		<del>7</del>	<del>8</del>	<del>8</del>	<del>8</del>		<del>Englewood</del>							
4	5	5		5	6	6	6		Evanston							
4	5	5		5	6	6	6		Fairlawn							
<del>6</del>	<del>7</del>	<del>7</del>		<del>7</del>	<del>8</del>	<del>8</del>	<del>8</del>		<del>Freedom</del>							
6		7			8				Frisco							
5		6			7	7	7		Hampton	Painted or Stained	Neutral Woodgrain Melamine	Coordinated PVC	Painted or Stained Wood Veneer with Coordinated PVC Edgebanding	Wood Dovetail with Soft Close	Painted or Stained Wood Veneer	
		<del>7</del>			<del>8</del>				<del>Kiawah</del>	But without Aged, Rubbed, Worn, Glazed, Vintage, Heritage or Linen Specialty Finishes						
6		7			8	8	8		Lafayette							
5		6			7	7	7		Lakeway							
5		6			7	7	7		Lauderdale							
<del>6</del>	<del>7</del>	<del>7</del>		<del>7</del>	<del>8</del>	<del>8</del>	<del>8</del>		<del>Liberty</del>							
6	7	7		7	8	8	8		Livingston							
<del>7</del>	<del>8</del>	<del>8</del>		<del>8</del>	<del>9</del>	<del>9</del>	<del>9</del>		<del>Manhattan Wide</del>							
5		6			7	7	7	8	Marshall							
6	7	7		7	8	8	8		Mount Vernon							
6		7			8	8	8		Oakland Park							
5	6	6		6	7	7	7		Old Salem Wide							
<del>7</del>	<del>8</del>	<del>8</del>		<del>8</del>	<del>9</del>	<del>9</del>	<del>9</del>		<del>Perth-Amboy</del>							
4		5			6	6	6		Plainview							
4		5			6	6	6		Plainview Wide							
5	6	6		6	7	7	7		Plantation							
6		7			8				Plymouth							
4		4			5				Raised							
4		5			6	6	6		Ridgecrest							
4		5			6	6	6		Rockford							
5	6	6		6	7	7	7		Royalton							
5	6	6		6	7	7	7		Sagamore							
6	7	7		7	8	8	8		Sarasota							
3		4	4		5	5	5	7	Shaker							
4		5	5		6	6	6		Shaker Wide							
5	6	6		6	7	7	7		Stickley							
5	6	6		6	7	7	7		Stickley Wide							
5	6	6		6	7	7	7		Wicker Park							
6	7	7		7	8	8	8		Winchester							
<del>5</del>		<del>6</del>			<del>7</del>				<del>York</del>							
			3						Apex	Painted	Neutral Woodgrain Melamine	Coordinated PVC	Painted with Coordinated PVC Edgebanding	Wood Dovetail with Soft Close	Painted	
2		3			4				Slab	Stained Wood Veneer	Neutral Woodgrain Melamine	Coordinated PVC	Stained Wood Veneer with Coordinated PVC Edgebanding	Wood Dovetail with Soft Close	Stained Wood Veneer	
5		6			7		7		Richmond II							

# Program Summaries : Wood

## Design Notes

<sup>1</sup> Richmond II door in Frame style will use Shaker door

<sup>3</sup> Frame-style Apex door is solid Maple

<sup>4</sup> Carnegie, Englewood, Frisco and Plymouth doors will not have applied moulding

<sup>5</sup> Oakland Park with X Lite will not have angled inside profile

• Doors prepared for glass do **not** include glass. Glass is available as an accessory, ordered separately. See page 9.11-9.12. Butyl gasket is included with door.

- Prairie-style doors prepared for glass are not available on doors less than 15" wide.
- X Lite style: minimum door width and height 14<sup>7</sup>/<sub>8</sub>", maximum door width 23<sup>7</sup>/<sub>8</sub>" on doors with rail/stile dimensions less than 3". For doors with rails/stiles over 3", add 1" to minimum width and height. Doors exceeding 42" high will have double X's.
- Double Arch style: minimum door width and height 14<sup>7</sup>/<sub>8</sub>", maximum door width 23<sup>7</sup>/<sub>8</sub>" on door with rails/stiles less than 3". For doors with rails/stiles 3" and over, add 3" to minimum height and width

### WOOD DOORS PREPARED FOR GLASS

DOOR STYLE	FRAME	MULLION	PRAIRIE	QUARTER ROUND	X LITE	DOUBLE ARCH	DOOR STYLE	FRAME	MULLION	PRAIRIE	QUARTER ROUND	X LITE	DOUBLE ARCH
Amherst	•	•	•		•	•	Lauderdale	•					
Andover	•	•	•		•	•	Liberty	•	•	•		•	•
Apex <sup>3</sup>	•						Livingston	•	•	•		•	•
Asheville	•	•	•	•	•	•	Manhattan Wide	•	•	•		•	•
Avon	•	•	•	•	•	•	Marshall						
Avon Wide	•	•	•	•	•	•	Mount Vernon	•	•	•		•	•
Boca Raton	•				•	•	Oakland Park <sup>5</sup>	•	•	•		•	
Boston	•	•	•	•	•	•	Old Salem Wide	•	•	•	•	•	•
Breckenridge	•	•	•	•	•	•	Perth Amboy	•	•	•		•	•
Breckenridge Wide	•	•	•	•	•	•	Plainview	•	•			•	•
Bristol	•	•	•	•	•	•	Plainview Wide	•	•			•	•
Broadview	•	•	•		•	•	Plantation	•	•	•	•	•	•
Brunswick	•	•	•		•	•	Plymouth <sup>4</sup>	•	•			•	•
Carnegie <sup>4</sup>	•	•	•		•	•	Raised	•	•	•		•	•
Charlotte	•	•	•		•	•	Richmond II <sup>1</sup>	•					
Chesapeake	•	•	•		•	•	Ridgecrest	•	•	•	•	•	•
Corona	•	•	•		•	•	Rockford	•	•	•	•	•	•
Crystal Lake	•	•			•	•	Royalton	•	•	•		•	
Daytona	•	•	•	•	•	•	Sagamore	•	•	•	•	•	•
Dennison	•	•	•		•	•	Sarasota	•	•	•		•	
Englewood <sup>4</sup>	•						Shaker	•	•	•	•	•	•
Evanston	•	•	•	•	•	•	Shaker Wide	•	•	•	•	•	•
Fairlawn	•	•	•	•	•	•	Slab	•					
Freedom	•	•	•		•	•	Stickley	•	•	•	•	•	•
Frisco <sup>4</sup>	•	•			•	•	Stickley Wide	•	•	•	•	•	•
Hampton	•	•	•		•	•	Wicker Park	•	•	•	•	•	•
Kiawah	•						Winchester	•	•	•		•	•
Lafayette	•	•	•		•		York	•	•	•		•	•
Lakeway	•	•	•		•								

# Program Summaries : Wood

## Design Notes

- All orders require a signed "Awareness Form", see [OneTouch](#).
- Standard Sheen or Low Sheen available; must be specified on initial order
- Aged, Rubbed, Heritage, Worn and Vintage finishes are only available in Low Sheen, except Black paint which will have Standard Sheen
- Aged finish available in all glazes excluding Linen finishes

- Custom Paint Finishes +20%. Available on same door styles as standard Paint Finishes
- Paint on a door constructed entirely of MDF has no Paint upcharge
- <sup>1</sup> Painted door (without distressing packages) will have MDF center panel
- N/A = Not Available

STANDARD FINISH AVAILABILITY										
Door Styles	Stain Finishes								Paint Finishes	
	Oak	Rustic Alder	Maple	Rustic Cherry	Cherry	Alder	Red Birch	Walnut	Maple / MDF <sup>1</sup> +6%	All MDF no upcharge
	<b>Amherst</b>	•	•	•	•	•	•	•	N/A	•
Andover	•	N/A	•	N/A	•	•	•	N/A	•	N/A
Apex	N/A	N/A	N/A	N/A	N/A	N/A	N/A	N/A	•	•
Asheville	•	•	•	•	•	•	•	N/A	•	N/A
Avon	•	N/A	•	N/A	•	•	•	N/A	•	•
Avon Wide	•	N/A	•	N/A	•	•	•	N/A	•	•
Boca Raton	•	N/A	•	N/A	•	N/A	N/A	N/A	•	N/A
Boston	•	•	•	•	•	•	•	N/A	•	N/A
Breckenridge	•	•	•	•	•	•	•	N/A	•	N/A
Breckenridge Wide	•	•	•	•	•	•	•	N/A	•	N/A
Bristol	•	N/A	•	N/A	•	•	•	N/A	•	N/A
Broadview	•	N/A	•	N/A	•	•	•	N/A	•	N/A
<b>Brunswick</b>	•	•	•	•	•	•	•	N/A	•	N/A
<b>Carnegie</b>	•	N/A	•	N/A	•	•	N/A	N/A	•	N/A
Charlotte	•	N/A	•	N/A	•	•	•	N/A	•	N/A
Chesapeake	•	N/A	•	N/A	•	•	•	N/A	•	N/A
<b>Corona</b>	•	•	•	•	•	•	•	N/A	•	N/A
Crystal Lake	•	•	•	•	•	•	•	N/A	•	N/A
Daytona	•	N/A	•	N/A	•	•	•	N/A	•	N/A
Dennison	•	N/A	•	N/A	•	•	•	N/A	•	N/A
<b>Englewood</b>	•	N/A	•	N/A	•	•	•	N/A	•	N/A
Evanston	•	•	•	•	•	•	•	N/A	•	N/A
Fairlawn	•	•	•	•	•	•	•	N/A	•	N/A
<b>Freedom</b>	•	•	•	•	•	•	•	N/A	•	N/A
Frisco	•	N/A	•	N/A	•	N/A	N/A	N/A	•	N/A
Hampton	•	N/A	•	N/A	•	•	•	N/A	•	N/A
<b>Kiawah</b>	N/A	N/A	•	N/A	•	N/A	N/A	N/A	•	N/A
Lafayette	•	N/A	•	N/A	•	•	•	N/A	•	N/A
Lakeway	•	N/A	•	N/A	•	•	•	N/A	•	N/A

continued on next page >

# Program Summaries : Wood

## Design Notes

- All orders require a signed "Awareness Form", see [OneTouch](#).
- Standard Sheen or Low Sheen available; must be specified on initial order
- Aged, Rubbed, Heritage, Worn and Vintage finishes are only available in Low Sheen, except Black paint which will have Standard Sheen
- Aged finish available in all glazes excluding Linen finishes

- Custom Paint Finishes +20%. Available on same door styles as standard Paint Finishes
- Paint on a door constructed entirely of MDF has no Paint upcharge
- <sup>1</sup> Painted door (without distressing packages) will have MDF center panel
- N/A = Not Available

STANDARD FINISH AVAILABILITY										Page 2 OF 2
Door Styles	Stain Finishes								Paint Finishes	
	Oak	Rustic Alder	Maple	Rustic Cherry	Cherry	Alder	Red Birch	Walnut	Maple / MDF <sup>1</sup> +6%	All MDF no upcharge
Lauderdale	•	N/A	•	N/A	•	•	•	N/A	•	N/A
Liberty	•	•	•	•	•	•	•	N/A	•	N/A
Livingston	•	•	•	•	•	•	•	N/A	•	N/A
Manhattan Wide	•	•	•	•	•	•	•	N/A	•	N/A
Marshall	•	N/A	•	N/A	•	•	•	•	•	N/A
Mount Vernon	•	•	•	•	•	•	•	N/A	•	N/A
Oakland Park	•	N/A	•	N/A	•	•	•	N/A	•	N/A
Old Salem Wide	•	•	•	•	•	•	•	N/A	•	N/A
Perth Amboy	•	•	•	•	•	•	•	N/A	•	N/A
Plainview	•	N/A	•	N/A	•	•	•	N/A	•	N/A
Plainview Wide	•	N/A	•	N/A	•	•	•	N/A	•	N/A
Plantation	•	•	•	•	•	•	•	N/A	•	N/A
Plymouth	•	N/A	•	N/A	•	N/A	N/A	N/A	•	N/A
Raised	N/A	N/A	•	N/A	•	N/A	N/A	N/A	•	N/A
Richmond II	•	N/A	•	N/A	•	N/A	N/A	•	N/A	N/A
Ridgecrest	•	N/A	•	N/A	•	•	•	N/A	•	N/A
Rockford	•	N/A	•	N/A	•	•	•	N/A	•	N/A
Royalton	•	•	•	•	•	•	•	N/A	•	N/A
Sagamore	•	•	•	•	•	•	•	N/A	•	N/A
Sarasota	•	•	•	•	•	•	•	N/A	•	N/A
Shaker	•	N/A	•	N/A	•	•	•	•	•	•
Shaker Wide	•	N/A	•	N/A	•	•	•	N/A	•	•
Slab	•	N/A	•	N/A	•	N/A	N/A	N/A	N/A	N/A
Stickley	•	•	•	•	•	•	•	N/A	•	N/A
Stickley Wide	•	•	•	•	•	•	•	N/A	•	N/A
Wicker Park	•	•	•	•	•	•	•	N/A	•	N/A
Winchester	•	•	•	•	•	•	•	N/A	•	N/A
York	•	N/A	•	N/A	•	N/A	N/A	N/A	•	N/A

< continued from previous page

# Program Summaries : Wood

## Design Notes

- All orders require a signed "Awareness Form", see OneTouch.
- Finish availability by door style is detailed on page 2.3-2.8.
- Standard Sheen or Low Sheen available; must be specified on initial order
- Aged and Worn finishes are only available in Low Sheen
- Aged stain finish available in all glazes (Linen not available)
- N/A = Not Available

SPECIALTY FINISH AVAILABILITY – STAIN + 6%																
Door Styles	Glaze on Stain								Worn or Aged Stain							
	Oak	Rustic Alder	Maple	Rustic Cherry	Cherry	Alder	Red Birch	Walnut	Oak	Rustic Alder	Maple	Rustic Cherry	Cherry	Alder	Red Birch	Walnut
<del>Amherst</del>	<del>N/A</del>	<del>•</del>	<del>•</del>	<del>•</del>	<del>•</del>	<del>•</del>	<del>N/A</del>	<del>N/A</del>	<del>•</del>	<del>•</del>	<del>•</del>	<del>•</del>	<del>•</del>	<del>•</del>	<del>•</del>	<del>N/A</del>
Andover	N/A	N/A	•	N/A	•	•	N/A	N/A	N/A	N/A	N/A	N/A	N/A	N/A	N/A	N/A
Apex	N/A	N/A	N/A	N/A	N/A	N/A	N/A	N/A	N/A	N/A	N/A	N/A	N/A	N/A	N/A	N/A
Asheville	N/A	•	•	•	•	•	N/A	N/A	•	•	•	•	•	•	•	N/A
Avon	N/A	N/A	•	N/A	•	•	N/A	N/A	•	N/A	•	N/A	•	•	•	N/A
Avon Wide	N/A	N/A	•	N/A	•	•	N/A	N/A	•	N/A	•	N/A	•	•	•	N/A
Boca Raton	N/A	N/A	•	N/A	•	N/A	N/A	N/A	N/A	N/A	N/A	N/A	N/A	N/A	N/A	N/A
Boston	N/A	•	•	•	•	•	N/A	N/A	•	•	•	•	•	•	•	N/A
Breckenridge	N/A	•	•	•	•	•	N/A	N/A	•	•	•	•	•	•	•	N/A
Breckenridge Wide	N/A	•	•	•	•	•	N/A	N/A	•	•	•	•	•	•	N/A	N/A
Bristol	N/A	N/A	•	N/A	•	•	N/A	N/A	•	N/A	•	N/A	•	•	•	N/A
Broadview	N/A	N/A	•	N/A	•	•	N/A	N/A	•	N/A	•	N/A	•	•	•	N/A
<del>Brunswick</del>	<del>N/A</del>	<del>•</del>	<del>•</del>	<del>•</del>	<del>•</del>	<del>•</del>	<del>N/A</del>	<del>N/A</del>	<del>•</del>	<del>•</del>	<del>•</del>	<del>•</del>	<del>•</del>	<del>•</del>	<del>•</del>	<del>N/A</del>
<del>Carnegie</del>	<del>N/A</del>	<del>N/A</del>	<del>•</del>	<del>N/A</del>	<del>•</del>	<del>•</del>	<del>N/A</del>	<del>N/A</del>	<del>N/A</del>	<del>N/A</del>	<del>N/A</del>	<del>N/A</del>	<del>N/A</del>	<del>N/A</del>	<del>N/A</del>	<del>N/A</del>
Charlotte	N/A	N/A	•	N/A	•	•	N/A	N/A	N/A	N/A	N/A	N/A	N/A	N/A	N/A	N/A
Chesapeake	N/A	N/A	•	N/A	•	•	N/A	N/A	•	N/A	•	N/A	•	•	•	N/A
<del>Corona</del>	<del>N/A</del>	<del>•</del>	<del>•</del>	<del>•</del>	<del>•</del>	<del>•</del>	<del>N/A</del>	<del>N/A</del>	<del>•</del>	<del>•</del>	<del>•</del>	<del>•</del>	<del>•</del>	<del>•</del>	<del>•</del>	<del>N/A</del>
Crystal Lake	N/A	•	•	•	•	•	N/A	N/A	•	•	•	•	•	•	•	N/A
Daytona	N/A	N/A	•	N/A	•	•	N/A	N/A	N/A	N/A	N/A	N/A	N/A	N/A	N/A	N/A
Dennison	N/A	N/A	•	N/A	•	•	N/A	N/A	N/A	N/A	N/A	N/A	N/A	N/A	N/A	N/A
<del>Englewood</del>	<del>N/A</del>	<del>N/A</del>	<del>•</del>	<del>N/A</del>	<del>•</del>	<del>•</del>	<del>N/A</del>	<del>N/A</del>	<del>N/A</del>	<del>N/A</del>	<del>N/A</del>	<del>N/A</del>	<del>N/A</del>	<del>N/A</del>	<del>N/A</del>	<del>N/A</del>
Evanston	N/A	•	•	•	•	•	N/A	N/A	•	•	•	•	•	•	•	N/A
Fairlawn	N/A	•	•	•	•	•	N/A	N/A	•	•	•	•	•	•	•	N/A
<del>Freedom</del>	<del>N/A</del>	<del>•</del>	<del>•</del>	<del>•</del>	<del>•</del>	<del>•</del>	<del>N/A</del>	<del>N/A</del>	<del>•</del>	<del>•</del>	<del>•</del>	<del>•</del>	<del>•</del>	<del>•</del>	<del>•</del>	<del>N/A</del>
Frisco	N/A	N/A	•	N/A	•	N/A	N/A	N/A	N/A	N/A	N/A	N/A	N/A	N/A	N/A	N/A
Hampton	N/A	N/A	•	N/A	•	•	N/A	N/A	N/A	N/A	N/A	N/A	N/A	N/A	N/A	N/A
<del>Kiawah</del>	<del>N/A</del>	<del>N/A</del>	<del>N/A</del>	<del>N/A</del>	<del>N/A</del>	<del>N/A</del>	<del>N/A</del>	<del>N/A</del>	<del>N/A</del>	<del>N/A</del>	<del>N/A</del>	<del>N/A</del>	<del>N/A</del>	<del>N/A</del>	<del>N/A</del>	<del>N/A</del>
Lafayette	N/A	N/A	•	N/A	•	•	N/A	N/A	•	N/A	•	N/A	•	•	•	N/A
Lakeway	N/A	N/A	•	N/A	•	•	N/A	N/A	•	N/A	•	N/A	•	•	•	N/A

continued on next page >

# Program Summaries : Wood

## Design Notes

- All orders require a signed "Awareness Form", see OneTouch.
- Finish availability by door style is detailed on page 2.3-2.8.
- Standard Sheen or Low Sheen available; must be specified on initial order
- Aged and Worn finishes are only available in Low Sheen
- Aged stain finish available in all glazes (Linen not available)
- N/A = Not Available

SPECIALTY FINISH AVAILABILITY – STAIN + 6%																
Door Styles	Glaze on Stain								Worn or Aged Stain							
	Oak	Rustic Alder	Maple	Rustic Cherry	Cherry	Alder	Red Birch	Walnut	Oak	Rustic Alder	Maple	Rustic Cherry	Cherry	Alder	Red Birch	Walnut
Lauderdale	N/A	N/A	•	N/A	•	•	N/A	N/A	N/A	N/A	N/A	N/A	N/A	N/A	N/A	N/A
Liberty	N/A	•	•	•	•	•	N/A	N/A	•	•	•	•	•	•	•	N/A
Livingston	N/A	•	•	•	•	•	N/A	N/A	•	•	•	•	•	•	•	N/A
Manhattan Wide	N/A	•	•	•	•	•	N/A	N/A	•	•	•	•	•	•	•	N/A
Marshall	N/A	N/A	•	N/A	•	•	N/A	N/A	N/A	N/A	N/A	N/A	N/A	N/A	N/A	N/A
Mount Vernon	N/A	•	•	•	•	•	N/A	N/A	•	•	•	•	•	•	•	N/A
Oakland Park	N/A	N/A	•	N/A	•	•	N/A	N/A	N/A	N/A	N/A	N/A	N/A	N/A	N/A	N/A
Old Salem Wide	N/A	•	•	•	•	•	N/A	N/A	•	•	•	•	•	•	•	N/A
Perth Amboy	N/A	•	•	•	•	•	N/A	N/A	•	•	•	•	•	•	•	N/A
Plainview	N/A	N/A	•	N/A	•	•	N/A	N/A	N/A	N/A	N/A	N/A	N/A	N/A	N/A	N/A
Plainview Wide	N/A	N/A	•	N/A	•	•	N/A	N/A	N/A	N/A	N/A	N/A	N/A	N/A	N/A	N/A
Plantation	N/A	•	•	•	•	•	N/A	N/A	•	•	•	•	•	•	•	N/A
Plymouth	N/A	N/A	•	N/A	•	N/A	N/A	N/A	•	N/A	•	N/A	•	N/A	N/A	N/A
Raised	N/A	N/A	N/A	N/A	N/A	N/A	N/A	N/A	N/A	N/A	N/A	N/A	N/A	N/A	N/A	N/A
Richmond II	N/A	N/A	N/A	N/A	N/A	N/A	N/A	N/A	N/A	N/A	N/A	N/A	N/A	N/A	N/A	N/A
Ridgecrest	N/A	N/A	•	N/A	•	•	N/A	N/A	N/A	N/A	N/A	N/A	N/A	N/A	N/A	N/A
Rockford	N/A	N/A	•	N/A	•	•	N/A	N/A	N/A	N/A	N/A	N/A	N/A	N/A	N/A	N/A
Royalton	N/A	•	•	•	•	•	N/A	N/A	•	•	•	•	•	•	•	N/A
Sagamore	N/A	•	•	•	•	•	N/A	N/A	•	•	•	•	•	•	•	N/A
Sarasota	N/A	•	•	•	•	•	N/A	N/A	•	•	•	•	•	•	•	N/A
Shaker	N/A	N/A	•	N/A	•	•	N/A	N/A	N/A	N/A	N/A	N/A	N/A	N/A	N/A	N/A
Shaker Wide	N/A	N/A	•	N/A	•	•	N/A	N/A	N/A	N/A	N/A	N/A	N/A	N/A	N/A	N/A
Slab	N/A	N/A	N/A	N/A	N/A	N/A	N/A	N/A	N/A	N/A	N/A	N/A	N/A	N/A	N/A	N/A
Stickley	N/A	•	•	•	•	•	N/A	N/A	•	•	•	•	•	•	•	N/A
Stickley Wide	N/A	•	•	•	•	•	N/A	N/A	•	•	•	•	•	•	•	N/A
Wicker Park	N/A	•	•	•	•	•	N/A	N/A	•	•	•	•	•	•	•	N/A
Winchester	N/A	•	•	•	•	•	N/A	N/A	•	•	•	•	•	•	•	N/A
York	N/A	N/A	•	N/A	•	N/A	N/A	N/A	•	N/A	•	N/A	•	N/A	N/A	N/A

< continued from previous page

# Program Summaries : Wood

## Design Notes

- All orders require a signed "Awareness Form", see [OneTouch](#).
- Standard Sheen or Low Sheen available; must be specified on initial order.
- Aged, Rubbed, Heritage and Vintage finishes are only available in Low Sheen, except Black paint which will have Standard Sheen
- Aged paint finish available in all glazes excluding Linen finishes

- Custom Paint Finishes +20%. Available on same door styles as standard Paint Finishes

<sup>1</sup> Paint on a door constructed entirely of MDF has **no Paint upcharge**

<sup>2</sup> Painted door (without distressing packages) will have MDF center panel

- N/A = Not Available

SPECIALTY FINISH AVAILABILITY – PAINT + 6% <sup>1</sup> <span style="float: right;">Page 1 OF 2</span>							
Door Styles	Linen or Glaze on Paint All MDF	Glaze on Paint Maple/MDF <sup>2</sup>	Linen Maple/MDF <sup>2</sup>	Aged Maple	Heritage Maple	Rubbed Maple	Vintage Maple
<del>Amherst</del>	N/A	•	•	•	•	•	•
Andover	N/A	•	•	N/A	N/A	•	N/A
Apex	•	N/A	•	N/A	N/A	N/A	N/A
Asheville	N/A	•	•	•	•	•	•
Avon	•	•	•	N/A	N/A	•	N/A
Avon Wide	•	•	•	N/A	N/A	•	N/A
Boca Raton	N/A	•	•	N/A	N/A	•	N/A
Boston	N/A	•	•	•	•	•	•
Breckenridge	N/A	•	•	•	•	•	•
Breckenridge Wide	N/A	•	•	•	•	•	•
Bristol	N/A	•	•	N/A	N/A	•	N/A
Broadview	N/A	•	•	•	•	•	•
<del>Brunswick</del>	N/A	•	•	•	•	•	•
<del>Carnegie</del>	N/A	•	•	N/A	N/A	•	N/A
Charlotte	N/A	•	•	N/A	N/A	•	N/A
Chesapeake	N/A	•	•	N/A	N/A	•	N/A
<del>Corona</del>	N/A	•	•	•	•	•	•
Crystal Lake	N/A	•	•	•	•	•	•
Daytona	N/A	•	•	N/A	N/A	•	N/A
Dennison	N/A	•	•	N/A	N/A	•	N/A
<del>Englewood</del>	N/A	•	•	N/A	N/A	•	N/A
Evanston	N/A	•	•	•	•	•	•
Fairlawn	N/A	•	•	•	•	•	•
<del>Freedom</del>	N/A	•	•	•	•	•	•
Frisco	N/A	•	•	N/A	N/A	•	N/A
Hampton	N/A	•	•	•	•	•	N/A
<del>Kiawah</del>	N/A	N/A	N/A	N/A	N/A	•	N/A
Lafayette	N/A	•	•	•	•	•	•
Lakeway	N/A	•	•	N/A	N/A	•	N/A

continued on next page >

# Program Summaries : Wood

## Design Notes

- All orders require a signed "Awareness Form", see [OneTouch](#).
- Standard Sheen or Low Sheen available; must be specified on initial order.
- Aged, Rubbed, Heritage and Vintage finishes are only available in Low Sheen, except Black paint which will have Standard Sheen
- Aged paint finish available in all glazes excluding Linen finishes
- Custom Paint Finishes +20%. Available on same door styles as standard Paint Finishes
- <sup>1</sup> Paint on a door constructed entirely of MDF has **no Paint upcharge**
- <sup>2</sup> Painted door (without distressing packages) will have MDF center panel
- N/A = Not Available

SPECIALTY FINISH AVAILABILITY – PAINT + 6% <sup>1</sup> <span style="float: right;">Page 1 OF 2</span>							
Door Styles	Linen or Glaze on Paint All MDF	Glaze on Paint Maple/MDF <sup>2</sup>	Linen Maple/MDF <sup>2</sup>	Aged Maple	Heritage Maple	Rubbed Maple	Vintage Maple
Lauderdale	N/A	•	•	N/A	N/A	•	N/A
Liberty	N/A	•	•	•	•	•	•
Livingston	N/A	•	•	•	•	•	•
Manhattan Wide	N/A	•	•	•	•	•	•
Marshall	N/A	•	•	N/A	N/A	•	N/A
Mount Vernon	N/A	•	•	•	•	•	•
Oakland Park	N/A	•	•	N/A	N/A	•	N/A
Old Salem Wide	N/A	•	•	•	•	•	•
Perth Amboy	N/A	•	•	•	•	•	•
Plainview	N/A	•	•	N/A	N/A	•	N/A
Plainview Wide	N/A	•	•	N/A	N/A	•	N/A
Plantation	N/A	•	•	•	•	•	•
Plymouth	N/A	•	•	•	•	•	•
Raised	N/A	N/A	N/A	N/A	N/A	N/A	N/A
Richmond II	N/A	N/A	N/A	N/A	N/A	N/A	N/A
Ridgecrest	N/A	•	•	N/A	N/A	•	N/A
Rockford	N/A	•	•	N/A	N/A	•	N/A
Royalton	N/A	•	•	•	•	•	•
Sagamore	N/A	•	•	•	•	•	•
Sarasota	N/A	•	•	•	•	•	•
Shaker	•	•	•	N/A	N/A	•	N/A
Shaker Wide	•	•	•	N/A	N/A	•	N/A
Slab	N/A	N/A	N/A	N/A	N/A	N/A	N/A
Stickley	N/A	•	•	•	•	•	•
Stickley Wide	N/A	•	•	•	•	•	•
Wicker Park	N/A	•	•	•	•	•	•
Winchester	N/A	•	•	•	•	•	•
York	N/A	•	•	•	•	•	•

< continued from previous page



# Program Summaries : Wood

## Design Notes

- All orders require a signed "Awareness Form", see [OneTouch](#).
- Finish availability by door style is detailed on page 2.3-2.8.
- Standard Sheen or Low Sheen available; must be specified on initial order
- Aged and Worn finishes are only available in Low Sheen
- Aged stain finish available in all glazes (Linen not available)
- N/A = Not Available

STAIN AVAILABILITY													
Stain Colors	Stain Only						Glazes +6%					Distressing Packages +6%	
	Oak	Maple	Cherry/ Rustic Cherry	Alder/ Rustic Alder	Red Birch	Walnut	Brown			Mocha	Nickel	Aged	Worn
							Maple	Cherry/ Rustic Cherry	Alder/ Rustic Alder	Maple	Maple		
Amber	•	•	•	•	N/A	N/A	•	•	•	N/A	N/A	•	•
Bordeaux	N/A	•	•	•	N/A	N/A	•	•	N/A	N/A	N/A	•	•
Briarwood	•	•	•	•	N/A	N/A	•	•	•	•	•	•	•
Caramel	N/A	•	•	•	N/A	N/A	•	•	•	•	•	•	•
Chestnut	•	N/A	•	•	N/A	N/A	N/A	•	N/A	N/A	N/A	•	•
Chocolate	•	•	•	•	N/A	N/A	N/A	N/A	N/A	N/A	N/A	•	•
Coastal Grey	•	•	•	N/A	•	•	•	•	N/A	N/A	N/A	•	•
Cocoa	•	•	•	N/A	N/A	N/A	N/A	N/A	N/A	•	•	•	•
Golden	•	•	•	•	•	N/A	•	•	N/A	•	•	•	•
Natural	•	•	•	•	•	•	•	•	•	•	•	•	•
Nutmeg	•	•	•	•	N/A	N/A	•	•	•	N/A	•	•	•
Peppercorn	•	N/A	•	•	•	•	N/A	•	•	N/A	N/A	•	•
Platinum Grey	•	N/A	•	N/A	•	N/A	N/A	N/A	N/A	N/A	N/A	•	•
Porcini	•	N/A	•	•	•	N/A	N/A	•	•	N/A	N/A	•	•
Saddle	•	•	•	•	N/A	N/A	•	•	•	•	•	•	•
Storm Grey	•	N/A	N/A	•	•	N/A	N/A	N/A	•	N/A	N/A	•	•
Wenge	•	N/A	•	N/A	N/A	N/A	N/A	N/A	N/A	N/A	N/A	•	•

# Program Summaries : Wood

## Design Notes

- All orders require a signed "Awareness Form", see [OneTouch](#).
- Finish availability by door style is detailed on page 2.3-2.8.
- Painted Wood Species:

All-Maple door – Paint with Aged, Rubbed, Heritage or Vintage Specialty Finish  
Maple frame with MDF center panel – Paint only, Paint with Glaze or Rubbed Distressing (center panel will not be "Rubbed.")

All-MDF door – Paint only or Paint with Glaze or Linen; only available on a few door styles. See page 2.1.

- Standard Sheen or Low Sheen available; must be specified on initial order
- Aged, Rubbed, Heritage and Vintage finishes are only available in Low Sheen, except Black paint which will have Standard Sheen
- Aged paint finish available in all glazes excluding Linen finishes
- Custom Paint Finishes +20%. Available on same door styles as standard Paint Finishes
- <sup>1</sup> Paint on a door constructed entirely of MDF has **no Paint upcharge**
- Painted door (without distressing packages) will have MDF center panel
- N/A = Not Available

PAINT AVAILABILITY										
Paint Colors	Paint Only +6% <sup>1</sup>	Glazes +6%					Distressing Packages +6%			
		Brown Glaze	Mocha Glaze	Nickel Glaze	Brown Linen	Nickel Linen	Aged	Rubbed	Heritage	Vintage
Arctic White	•	•	•	•	•	•	•	•	•	•
Balboa Mist	•	•	•	•	•	•	•	•	•	•
Beach White	•	•	•	•	•	•	•	•	•	•
Black	•	N/A	N/A	N/A	N/A	N/A	•	•	•	•
Blue Ash	•	•	N/A	•	•	•	•	•	•	•
<b>NEW</b> Bottle Green	•	•	•	•	•	•	•	•	•	•
Creekstone	•	•	•	•	•	•	•	•	•	•
Eggshell	•	•	•	•	•	•	•	•	•	•
Lunar Gray	•	•	•	•	•	•	•	•	•	•
Melted Brie	•	•	•	•	•	•	•	•	•	•
Mineral Grey	•	•	N/A	•	•	•	•	•	•	•
<b>NEW</b> Moon Bay	•	•	•	•	•	•	•	•	•	•
<b>NEW</b> Moss Green	•	•	•	•	•	•	•	•	•	•
Network Grey	•	•	N/A	•	•	•	•	•	•	•
Pebble Grey	•	•	•	•	•	•	•	•	•	•
Pepper	•	•	•	•	•	•	•	•	•	•
Rag and Bone	•	•	•	•	•	•	•	•	•	•
Repose Grey	•	•	•	•	•	•	•	•	•	•
Simply White	•	•	•	•	•	•	•	•	•	•
Stone	•	•	•	•	•	•	•	•	•	•
Urban Gray	•	•	N/A	•	•	•	•	•	•	•
Wings	•	•	•	•	•	•	•	•	•	•

# Program Summaries : Wood

## Specialty Finishes

The following Specialty Finishes are available for a 6% premium upcharge. Additions or subtractions of distressing characteristics cannot be substituted within a Specialty Finish. Aged, Heritage, Worn and Vintage distressing packages are not available on doors with veneer center panels. Rubbed is available on doors with veneer center panels, but the center panel will not be Rubbed. It is recommended that a door sample in the specific stain/paint selection be ordered prior to ordering.

### Glazed Finish

A glazed finish begins with stained wood which may or may not be distressed or antiqued. A solid color glaze is applied and hand-rubbed away. The glaze collects and remains in crevices and corners of the door's profile. A glaze is not a stain and will not obscure the natural characteristics of the wood. Glazing is a hand-applied technique and will be slightly different on each product. Backs of doors are not glazed.

### Paint Finish

The wood is primed and painted with solid color paint. Due to the movement of wood joints, the paint may show some finish fracture at the joints. This is not considered a defect.

### Aged Finish

An Aged Finish is stained or painted wood, randomly dented with special tools to include stress cracks and sealed with a clear top coat. Aging is a hand-applied technique and will be slightly different on each product. Not available on veneer-center-panel doors. Low Sheen only, except Black which will have Standard Sheen.

### Rubbed Finish

The wood is painted, randomly sanded to reveal bare wood on edges and high points, and sealed with a clear top coat. Back of door is not Rubbed. "Rubbed" is available on Paints in Low Sheen only, except Black which will have Standard Sheen. Available in Glazes, where applicable, excluding Linen finishes.

### Worn Finish

An innovative blend of rasping, stress cracks, worm holes, and dents, including smooth worn edges. Available in Stain finishes with Low Sheen only. Not available on veneer-center-panel doors.

### Heritage Finish

A combination of Rubbed and Aged finish details. Available on Paints and in Low Sheen only, except Black which will have Standard Sheen. Not available on veneer-center-panel doors.

### Vintage Finish

The wood is primed and painted with a solid-color paint, then treated with an innovative blend of light glazing, rasping, rub-off, worm holes, stress cracks, dents and smooth worn edges, then sealed with a clear top coat. Back of door is simply painted. Low Sheen only, except Black which will have Standard Sheen. Not available on veneer-center-panel doors.

### Linen Finish

The wood is primed and painted with a solid-color paint, then lightly, hand-brushed with a Glaze creating a linear, brushed look. Backs of doors are painted without the brushed Linen finish. Hand brushed lines are artistic in effect and as such will not be exactly the same on every door.

## Distressing Techniques

**Dents and Dings** – Placed randomly using specialty tools.

**Stress Cracks** – Randomly created on the center panels of doors and drawer fronts.

**Rasping** – A rasp is used on edges to create a hand-sawn, rustic look.

**Worm Holes** – A series of small pin-dot holes are created using an awl to mimic the look of naturally occurring worm holes.

**Rubbed Through** – The wood is randomly rubbed on the high points to reveal bare wood.

**Smooth Worn Edges** – The edges of some corners are worn down to reduce the sharpness of profiles.

Specialty Finish Characteristics											
Finish	Paint	Stain	Glaze Option	Sheen Option	Dents & Dings	Stress Cracks	Rubbed Through	Rasping	Worm Holes	Smooth Worn Edges	Light Glazing
Aged Finish	●	●	●	Low Only*	●	●					
Rubbed Finish	●		●	Low Only*			●				
Worn Finish		●	●	Low Only	●	●		●	●	●	
Heritage Finish	●		●	Low Only*	●	●	●				
Vintage Finish	●			Low Only*	●	●	●	●	●	●	●
Linen Finish	●			●							

\* Low Sheen only, except Black paint which will have Standard Sheen.

# Program Summaries : Wood

## Design Notes

- Finish availability by door style is detailed on page 2.3-2.8.
- Not all Glazes are available with all finishes. See Glaze Availability on pages 2.5-2.10.
- Not all Stains are available on all species. See Stain/Species Availability on pages 2.3-2.9.

AGED											Price + 6%
Specialty Finish Availability											
Finish	Oak	Maple	Cherry	Rustic Cherry	Alder	Rustic Alder	Red Birch	Walnut			
Paint		●									
Stain	●	●	●	●	●	●	●				
Sheen	Low Only	Low Only	Low Only	Low Only	Low Only	Low Only	Low Only				
Brown Glaze		●	●	●	●	●					
Mocha Glaze		●									
Nickel Glaze		●									
Finish Characteristics											
Finish	Paint	Stain	Glaze Option	Sheen Option	Dents & Dings	Stress Cracks	Rubbed Through	Rasping	Worm Holes	Smooth Worn Edges	Light Glazing
Aged Finish	●	●	●	Low Only	●	●					

An Aged Finish is stained or painted wood, randomly dented with special tools to include stress cracks and sealed with a clear top coat. Aging is a hand-applied technique and will be slightly different on each product. Not available on doors with veneer center panels.

- **Not recommended for solid wood, recessed door styles.**
- **Low Sheen only, except Black paint which will have Standard Sheen.**

RUBBED											Price + 6%
Specialty Finish Availability											
Finish	Oak	Maple	Cherry	Rustic Cherry	Alder	Rustic Alder	Red Birch	Walnut			
Paint		●									
Stain											
Sheen		Low Only									
Brown Glaze		●									
Mocha Glaze		●									
Nickel Glaze		●									
Finish Characteristics											
Finish	Paint	Stain	Glaze Option	Sheen Option	Dents & Dings	Stress Cracks	Rubbed Through	Rasping	Worm Holes	Smooth Worn Edges	Light Glazing
Rubbed Finish	●		●	Low Only			●				

The wood is painted, randomly sanded to reveal bare wood on edges and high points, and sealed with a clear top coat. Back of door is not Rubbed. Available on Paints in Low Sheen only. Available in Glazes where applicable excluding Linen finishes. Available on doors with veneer center panels, but the center panel will not be Rubbed.

- **Low Sheen only, except Black paint which will have Standard Sheen.**

# Program Summaries : Wood

## Design Notes

- Finish availability by door style is detailed on page 2.3-2.8.
- Not all Glazes are available with all finishes. See Glaze Availability on pages 2.5-2.10.
- Not all Stains are available on all species. See Stain/Species Availability on pages 2.3-2.9. .

HERITAGE											Price + 6%
Specialty Finish Availability											
Finish	Oak	Maple	Cherry	Rustic Cherry	Alder	Rustic Alder	Red Birch	Walnut			
Paint		●									
Stain											
Sheen		Low Only									
Brown Glaze		●									
Mocha Glaze		●									
Nickel Glaze		●									
Finish Characteristics											
Finish	Paint	Stain	Glaze Option	Sheen Option	Dents & Dings	Stress Cracks	Rubbed Through	Rasping	Worm Holes	Smooth Worn Edges	Light Glazing
Heritage Finish	●		●	Low Only	●	●	●				

A combination of Rubbed and Aged finish details. Available on Paints and in Low Sheen only.  
Not available on doors with veneer center panels.

- **Not recommended for solid wood, recessed door styles.**
- **Low Sheen only, except Black paint which will have Standard Sheen.**

WORN											Price + 6%
Specialty Finish Availability											
Finish	Oak	Maple	Cherry	Rustic Cherry	Alder	Rustic Alder	Red Birch	Walnut			
Paint											
Stain	●	●	●	●	●	●	●				
Sheen	Low Only	Low Only	Low Only	Low Only	Low Only	Low Only	Low Only	Low Only			
Brown Glaze		●	●	●	●	●					
Mocha Glaze		●									
Nickel Glaze		●									
Finish Characteristics											
Finish	Paint	Stain	Glaze Option	Sheen Option	Dents & Dings	Stress Cracks	Rubbed Through	Rasping	Worm Holes	Smooth Worn Edges	Light Glazing
Worn Finish		●	●	Low Only	●	●		●	●	●	

An innovative blend of rasping, stress cracks, worm holes, and dents, including smooth worn edges. Available in Stain finishes with Low Sheen only. Not available on doors with veneer center panels.

- **Not recommended for solid wood, recessed door styles.**

# Program Summaries : Wood

## Design Notes

- Finish availability by door style is detailed on page 2.3-2.8.
- Not all Glazes are available with all finishes. See Glaze Availability on pages 2.5-2.10.
- Not all Stains are available on all species. See Stain/Species Availability on pages 2.3-2.9.

VINTAGE											Price + 6%
Specialty Finish Availability											
Finish	Oak	Maple	Cherry	Rustic Cherry	Alder	Rustic Alder	Red Birch	Walnut			
Paint		●									
Stain											
Sheen		Low Only									
Brown Glaze											
Mocha Glaze											
Nickel Glaze											
Finish Characteristics											
Finish	Paint	Stain	Glaze Option	Sheen Option	Dents & Dings	Stress Cracks	Rubbed Through	Rasping	Worm Holes	Smooth Worn Edges	Light Glazing
Vintage Finish	●			Low Only	●	●	●	●	●	●	●
<p>The wood is primed and painted with a solid-color paint, then treated with an innovative blend of light glazing, rasping, rub-off, worm holes, stress cracks, dents and smooth worn edges, then sealed with a clear top coat. Back of door is simply painted. All Vintage Finishes are Low Sheen. Not available on doors with veneer center panels.</p> <ul style="list-style-type: none"> <li>• <b>Low Sheen only, except Black paint which will have Standard Sheen.</b></li> </ul>											

BROWN & NICKEL LINEN											Price + 6%
Specialty Finish Availability											
Finish	Oak	Maple	Cherry	Rustic Cherry	Alder	Rustic Alder	Red Birch	Walnut			
Paint		●									
Stain											
Sheen		●									
Brown Glaze											
Mocha Glaze											
Nickel Glaze											
Finish Characteristics											
Finish	Paint	Stain	Glaze Option	Sheen Option	Dents & Dings	Stress Cracks	Rubbed Through	Rasping	Worm Holes	Smooth Worn Edges	Light Glazing
Linen Finish	●			●							
<p>The wood is primed and painted with a solid-color paint, then lightly, hand-brushed with a Glaze creating a linear, brushed look. Backs of doors are painted without the brushed Linen finish. Hand brushed lines are artistic in effect and as such will not be exactly the same on every door.</p>											

# Program Summaries : Custom Paint Color Program

## Color Selection

Choose colors from major paint manufacturers such as Benjamin Moore, Valspar and Sherwin Williams, or send in a sample for matching. When selecting from a paint manufacturer, please include the manufacturer's name, color family if applicable, and color code. Paint swatches are recommended but not required. If we are to match a sample, it should be at least 3" x 3". Some materials, such as textiles or glossy finishes, are difficult to get exact matches on. Swatches and samples will NOT be returned.

## Pricing

20% Upcharge over LIST pricing

## Specialty Finish Availability

Custom Paint Colors are available on all door styles where our standard Paint Finishes are available and have the same characteristics and specifications. Select from the following Specialty Finishes at no additional charge.

Sheen: Choose Standard or Low Sheen topcoat. (Aged distressing available with Low Sheen only).

Glaze Finish: Choose from any of our standard colors, Brown, Mocha or Nickel. Glazes may be combined with Aged distressing.

Aged Distressing: Aged alone or combined with a Glaze. Available with Low Sheen only.

Linen Finish: May be applied to any Custom Paint Color.

## Door Samples

A Custom Paint Sample Door (\$135 NET) must be ordered and approved prior to placing an order for cabinets.

Complete the Custom Paint Sample Door Order Form and mail, fax or email it to us. Custom Paint Sample Doors are ready to ship in 10 working days for orders arriving prior to 10 a.m. EST. Once the color on the sample door is approved, Dealer and customer must sign and send in the Custom Paint Acknowledgement Form. It is not necessary to return any portion of the sample door. Find all forms on the OneTouch dealer portal.

## Ordering and Lead Times

A Custom Paint Acknowledgement Number will be assigned to identify each Custom Paint Color for all orders. Cabinets in Custom Paint Colors ship in the same lead times as standard Paint Finishes. We will reserve a portion of the custom paint – for Job Completion Parts, Replacement Parts and new orders – for 4 months from the time of the original order. Depending on the size of a future Job Completion or Replacement order and the amount of paint reserved, lead times may be extended.

A Touch-up paint pen of the new custom-color paint will ship with the order.



# Door Styles : Wood

## Amherst

3/4"-thick, mitered frame with beaded outside edge and beaded inside edge detail. Solid wood, recessed center panel. 2<sup>5</sup>/<sub>16</sub>" wide rails and stiles.

- Mitered-frame door styles are not recommended for use in areas with high humidity.
- Pocket Doors not available.
- Painted door (without distressing packages) will have MDF center panel
- Profiled Oven Panels and Microwave Oven Panels are 3/4"-thick Wood with the following outside edge profile:



Species Availability and Price Grade							
Oak	Maple	Cherry	Rustic Cherry	Alder	Rustic Alder	Red Birch	Walnut
6	7	8	7	8	7	8	N/A

Program Summary				
Door Back	Standard Cabinet Interior & Exterior	Standard Exposed Interior	Face Front Edgebanding	Specified Finished Ends
Painted or Stained Not Aged, Rubbed or Worn	Neutral Woodgrain Melamine	Painted or Stained Wood Veneer	Coordinated PVC	Painted or Stained Wood Veneer with Coordinated PVC Edgebanding

Door / Drawer Construction	
<b>Door Construction</b>  4 <sup>15</sup> / <sub>16</sub> " and narrower Slab  5" to 23 <sup>7</sup> / <sub>8</sub> " wide Recessed Center Panel Standard rails and stiles	<b>Drawer Construction</b>  2 <sup>1</sup> / <sub>2</sub> " to 5 <sup>3</sup> / <sub>4</sub> " high Slab  5 <sup>13</sup> / <sub>16</sub> " to 23 <sup>7</sup> / <sub>8</sub> " high Recessed Center Panel Standard rails and stiles

• Dimensions are for actual door widths and drawer heights. For cabinet size, add 1/8" to door or drawer dimension.

Doors Prepared for Glass					
					<ul style="list-style-type: none"> <li>• Doors prepared for glass do not include glass. Order glass on page 9.11-9.12.</li> <li>• Mullion-style doors are not available on cabinets less than 12" wide.</li> <li>• Prairie-style doors are not available on cabinets less than 15" wide.</li> <li>• X Lite style: minimum door width and height 14<sup>7</sup>/<sub>8</sub>", maximum door width 23<sup>7</sup>/<sub>8</sub>" on doors with rail/stile dimensions less than 3". For doors with rails/stiles over 3", add 1" to minimum width and height. Doors exceeding 42" high will have double X's.</li> <li>• Double Arch style: minimum door width and height 14<sup>7</sup>/<sub>8</sub>", maximum door width 23<sup>7</sup>/<sub>8</sub>" on door with rails/stiles less than 3". For doors with rails/stiles 3" and over, add 3" to minimum height and width</li> </ul>
FRAME	MULLION	PRAIRIE	X LITE	DOUBLE ARCH	



# Door Styles : Wood

## Andover

3/4"-thick, mortise-and-tenon frame with eased outside edge and applied moulding detail. Veneer, recessed center panel. 2<sup>5</sup>/<sub>16</sub>" wide rails and stiles.

- Veneer center panel cannot be Rubbed.
- Pocket Doors not available
- Doors 26" wide and over will have double insert panels for stability.
- Doors 48" high and over will have double insert panels for stability.
- Painted door (without distressing packages) will have MDF center panel
- Profiled Oven Panels and Microwave Oven Panels are 3/4"-thick Wood with the following outside edge profile:

RO



Shown with Standard Drawer Front

Shown with optional 5-Piece Matching Drawer Front  
\$89.00 List Each


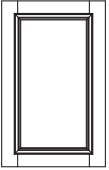



### Species Availability and Price Grade

Oak	Maple	Cherry	Rustic Cherry	Alder	Rustic Alder	Red Birch	Walnut
6	7	8	N/A	8	N/A	8	N/A

### Program Summary

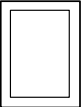
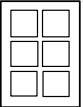
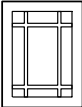
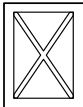
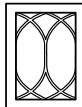
Door Back	Standard Cabinet Interior & Exterior	Standard Exposed Interior	Face Front Edgebanding	Specified Finished Ends
Painted or Stained Not Aged, Rubbed or Worn	Neutral Woodgrain Melamine	Painted or Stained Wood Veneer	Coordinated PVC	Painted or Stained Wood Veneer with Coordinated PVC Edgebanding

### Door / Drawer Construction

Door Construction		Drawer Construction		
				
6 <sup>15</sup> / <sub>16</sub> " and narrower Slab	7" to 23 <sup>7</sup> / <sub>8</sub> " wide Recessed Center Panel Standard rails and stiles	2 <sup>7</sup> / <sub>8</sub> " to 4 <sup>15</sup> / <sub>16</sub> " high Slab	5" to 6 <sup>5</sup> / <sub>16</sub> " high Recessed Center Panel Reduced rails (1 <sup>1</sup> / <sub>2</sub> ") Standard stiles	6 <sup>3</sup> / <sub>8</sub> " to 23 <sup>7</sup> / <sub>8</sub> " high Recessed Center Panel Standard rails and stiles

• Dimensions are for actual door widths and drawer heights. For cabinet size, add 1/8" to door or drawer dimension.

### Doors Prepared for Glass

					<ul style="list-style-type: none"> <li>• Doors prepared for glass do not include glass. Order glass on page 9.11-9.12.</li> <li>• Mullion-style doors are not available on cabinets less than 12" wide.</li> <li>• Prairie-style doors are not available on cabinets less than 15" wide.</li> <li>• X Lite style: minimum door width and height 14<sup>7</sup>/<sub>8</sub>", maximum door width 23<sup>7</sup>/<sub>8</sub>" on doors with rail/stile dimensions less than 3". For doors with rails/stiles over 3", add 1" to minimum width and height. Doors exceeding 42" high will have double X's.</li> <li>• Double Arch style: minimum door width and height 14<sup>7</sup>/<sub>8</sub>", maximum door width 23<sup>7</sup>/<sub>8</sub>" on door with rails/stiles less than 3". For doors with rails/stiles 3" and over, add 3" to minimum height and width.</li> </ul>
FRAME	MULLION	PRAIRIE	X LITE	DOUBLE ARCH	

# Door Styles : Wood

## Apex

3/4"-thick slab door with eased outside edge profile.  
Constructed of MDF (Medium Density Fiberboard).

- Available with Paint (no paint upcharge) and Linen finishes only.
- Distressing is not available
- Profiled Oven and Microwave Oven Panels (not available in MDF) are 3/4"-thick Wood with the following outside edge profile:



Species Availability and Price Grade								
Oak	Maple	MDF	Cherry	Rustic Cherry	Alder	Rustic Alder	Red Birch	Walnut
N/A	N/A	3	N/A	N/A	N/A	N/A	N/A	N/A

Program Summary				
Door Back	Standard Cabinet Interior & Exterior	Standard Exposed Interior	Face Front Edgebanding	Specified Finished Ends
Painted	Neutral Woodgrain Melamine	Painted	Coordinated PVC	Painted with Coordinated PVC Edgebanding

Door / Drawer Construction	
Door Construction	Drawer Construction
 23 <sup>7</sup> / <sub>8</sub> " and narrower Slab	 3 <sup>1</sup> / <sub>2</sub> " to 23 <sup>7</sup> / <sub>8</sub> " high Slab

Doors Prepared for Glass	
 FRAME	<ul style="list-style-type: none"> <li>• Doors prepared for glass do not include glass. Order glass on page 9.11-9.12.</li> <li>• Frame-style doors will include waterfall inside edge detail.</li> </ul>

- Dimensions are for actual door widths and drawer heights. For cabinet size, add 1/8" to door or drawer dimension.

# Door Styles : Wood

## Asheville

3/4"-thick, mortise-and-tenon frame with ogee outside edge.  
Solid wood, raised center panel. 2<sup>5</sup>/<sub>16</sub>" wide rails and stiles.

- Doors 26" wide and over will have double insert panels for stability.
- Doors 48" high and over will have double insert panels for stability.
- Painted door (without distressing packages) will have MDF center panel
- Profiled Oven Panels and Microwave Oven Panels are 3/4"-thick Wood with the following outside edge profile:



Species Availability and Price Grade							
Oak	Maple	Cherry	Rustic Cherry	Alder	Rustic Alder	Red Birch	Walnut
5	6	7	6	7	6	7	N/A

Program Summary				
Door Back	Standard Cabinet Interior & Exterior	Standard Exposed Interior	Face Front Edgebanding	Specified Finished Ends
Painted or Stained Not Aged, Rubbed or Worn	Neutral Woodgrain Melamine	Painted or Stained Wood Veneer	Coordinated PVC	Painted or Stained Wood Veneer with Coordinated PVC Edgebanding

Door Construction				Drawer Construction			
6 <sup>15</sup> / <sub>16</sub> " and narrower Slab	7" to 7 <sup>9</sup> / <sub>16</sub> " wide Recessed Center Panel Standard rails and stiles	7 <sup>5</sup> / <sub>8</sub> " to 23 <sup>7</sup> / <sub>8</sub> " wide Raised Center Panel Standard rails and stiles		2 <sup>1</sup> / <sub>2</sub> " to 4 <sup>15</sup> / <sub>16</sub> " high Slab	5" to 6 <sup>1</sup> / <sub>4</sub> " high Recessed Center Panel Reduced rails (1 <sup>1</sup> / <sub>2</sub> ") Standard stiles	6 <sup>5</sup> / <sub>16</sub> " to 7 <sup>15</sup> / <sub>16</sub> " high Raised Center Panel Reduced rails (1 <sup>1</sup> / <sub>2</sub> ") Standard stiles	8" to 23 <sup>7</sup> / <sub>8</sub> " high Raised Center Panel Standard rails and stiles

• Dimensions are for actual door widths and drawer heights. For cabinet size, add 1/8" to door or drawer dimension.

Doors Prepared for Glass					
FRAME	MULLION	PRAIRIE	QUARTER ROUND	X LITE	DOUBLE ARCH

- Doors prepared for glass do not include glass. Order glass on page 9.11-9.12.
- Mullion-style doors are not available on cabinets less than 12" wide.
- Prairie-style doors are not available on cabinets less than 15" wide.
- Quarter Round-style doors have size limits. Call Customer Service.
- X Lite style: minimum door width and height 14<sup>7</sup>/<sub>8</sub>", maximum door width 23<sup>7</sup>/<sub>8</sub>" on doors with rail/style dimensions less than 3". For doors with rails/stiles over 3", add 1" to minimum width and height. Doors exceeding 42" high will have double X's.
- Double Arch style: minimum door width and height 14<sup>7</sup>/<sub>8</sub>", maximum door width 23<sup>7</sup>/<sub>8</sub>" on door with rails/stiles less than 3". For doors with rails/stiles 3" and over, add 3" to minimum height and width.

# Door Styles : Wood

## Avon

3/4"-thick, mortise-and-tenon frame with inside beveled edges and eased outside edge. Veneer, recessed center panel. 2 5/16" wide rails and stiles. Slab drawer front standard, 5-Piece Matching Drawer Front optional.

- Construction options:
  - **All Wood** for stain, add finish upcharges, distressing not available
  - **Maple with MDF center panel** for paint/distressing, add finish upcharges; center panel cannot be Rubbed
  - **All MDF** for paint, no paint upcharge; distressing not available.
- Refer to pages 2.11-2.14 for Specialty Finish options.
- Glazing will not show due to lack of profile, however overall tone of stains and paint colors will change.
- Doors 26" wide and over and doors 48" high and over will have double insert panels for stability.
- Profiled Oven and Microwave Oven Panels (not available in MDF) are 3/4"-thick with the following outside edge profile:



Shown with Standard Drawer Front



Shown with optional 5-Piece Matching Drawer Front  
\$89.00 List Each

### Species Availability and Price Grade

Oak	Maple	MDF	Cherry	Rustic Cherry	Alder	Rustic Alder	Red Birch	Walnut
4	5	5	6	N/A	6	N/A	6	N/A

### Program Summary

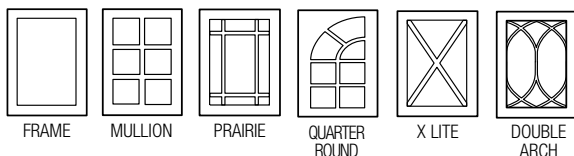
Door Back	Standard Cabinet Interior & Exterior	Standard Exposed Interior	Face Front Edgebanding	Specified Finished Ends
Painted or Stained Not Aged, Rubbed or Worn	Neutral Woodgrain Melamine	Painted or Stained Wood Veneer	Coordinated PVC	Painted or Stained Wood Veneer with Coordinated PVC Edgebanding

### Door / Drawer Construction

Door Construction		Drawer Construction		
6 15/16" and narrower Slab	7" to 23 7/8" wide Recessed Center Panel Standard rails and stiles	2 1/2" to 5 11/16" high Slab	5 3/4" to 7 5/16" high Recessed Center Panel Reduced rails (1 1/2") Standard stiles	7 3/8" to 23 7/8" high Recessed Center Panel Standard rails and stiles

• Dimensions are for actual door widths and drawer heights. For cabinet size, add 1/8" to door or drawer dimension.

### Doors Prepared for Glass



- Doors prepared for glass do not include glass. Order glass on page 9.11-9.12.
- Mullion-style doors are not available on cabinets less than 12" wide.
- Prairie-style doors are not available on cabinets less than 15" wide.
- Quarter Round-style doors have size limits. Call Customer Service.
- X Lite style: minimum door width and height 14 7/8", maximum door width 23 7/8" on doors with rail/stile dimensions less than 3". For doors with rails/stiles over 3", add 1" to minimum width and height. Doors exceeding 42" high will have double X's.
- Double Arch style: minimum door width and height 14 7/8", maximum door width 23 7/8" on door with rails/stiles less than 3". For doors with rails/stiles 3" and over, add 3" to minimum height and width.

# Door Styles : Wood

## Avon Wide

3/4"-thick, mortise-and-tenon frame with inside beveled edges and eased outside edge. Veneer, recessed center panel. 3 1/2" wide rails and stiles. Slab drawer front standard, 5-Piece Matching Drawer Front optional.

- Construction options:
  - **All Wood** for stain, add finish upcharges, distressing not available
  - **Maple with MDF center panel** for paint/distressing, add finish upcharges; center panel cannot be Rubbed
  - **All MDF** for paint, no paint upcharge; distressing not available.
- Refer to pages 2.11-2.14 for Specialty Finish options.
- Glazing will not show due to lack of profile, however overall tone of stains and paint colors will change.
- Doors 26" wide and over and doors 48" high and over will have double insert panels for stability.
- Profiled Oven and Microwave Oven Panels (not available in MDF) are 3/4"-thick with the following outside edge profile:



Shown with Standard Drawer Front

Shown with optional 5-Piece Matching Drawer Front  
\$89.00 List Each

RO

### Species Availability and Price Grade

Oak	Maple	MDF	Cherry	Rustic Cherry	Alder	Rustic Alder	Red Birch	Walnut
5	6	6	7	N/A	7	N/A	7	N/A

### Program Summary

Door Back	Standard Cabinet Interior & Exterior	Standard Exposed Interior	Face Front Edgebanding	Specified Finished Ends
Painted or Stained Not Aged, Rubbed or Worn	Neutral Woodgrain Melamine	Painted or Stained Wood Veneer	Coordinated PVC	Painted or Stained Wood Veneer with Coordinated PVC Edgebanding

### Door / Drawer Construction

Door Construction			Drawer Construction		
6 <sup>15</sup> / <sub>16</sub> " and narrower Slab	7" to 9 <sup>5</sup> / <sub>16</sub> " wide Recessed Center Panel Standard rails Reduced stiles (2 <sup>5</sup> / <sub>16</sub> ")	9 <sup>3</sup> / <sub>8</sub> " to 23 <sup>7</sup> / <sub>8</sub> " wide Recessed Center Panel Standard rails and stiles	2 <sup>7</sup> / <sub>8</sub> " to 5 <sup>11</sup> / <sub>16</sub> " high Slab	5 <sup>3</sup> / <sub>4</sub> " to 9 <sup>11</sup> / <sub>16</sub> " high Recessed Center Panel Reduced rails (1 <sup>1</sup> / <sub>2</sub> ") Standard stiles	9 <sup>3</sup> / <sub>4</sub> " to 23 <sup>7</sup> / <sub>8</sub> " high Recessed Center Panel Standard rails Standard stiles

• Dimensions are for actual door widths and drawer heights. For cabinet size, add 1/8" to door or drawer dimension.

### Doors Prepared for Glass

FRAME	MULLION	PRAIRIE	QUARTER ROUND	X LITE	DOUBLE ARCH

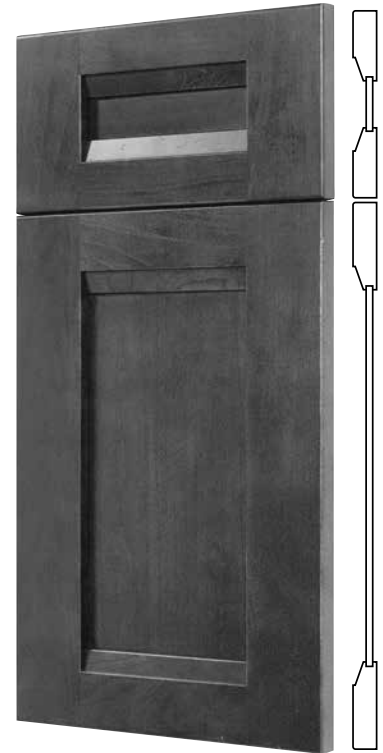
- Doors prepared for glass do not include glass. Order glass on page 9.11-9.12.
- Mullion-style doors are not available on cabinets less than 12" wide.
- Prairie-style doors are not available on cabinets less than 15" wide.
- Quarter Round-style doors have size limits. Call Customer Service.
- X Lite style: minimum door width and height 14<sup>7</sup>/<sub>8</sub>", maximum door width 23<sup>7</sup>/<sub>8</sub>" on doors with rail/stile dimensions less than 3". For doors with rails/stiles over 3", add 1" to minimum width and height. Doors exceeding 42" high will have double X's.
- Double Arch style: minimum door width and height 14<sup>7</sup>/<sub>8</sub>", maximum door width 23<sup>7</sup>/<sub>8</sub>" on door with rails/stiles less than 3". For doors with rails/stiles 3" and over, add 3" to minimum height and width.

# Door Styles : Wood

## Boca Raton

3/4"-thick, mortise-and-tenon frame with 1/8" round-over edge and waterfall inside edge detail. Flat veneer, recessed center panel. 2 3/4" wide rails and stiles. 5-piece matching drawer front standard.

- Veneer center panel cannot be Rubbed.
- Doors 26" wide and over will have double insert panels for stability.
- Doors 48" high and over will have double insert panels for stability.
- Heritage finishes are not recommended on this door style. A door sample is recommended.
- Painted door (without distressing packages) will have MDF center panel
- Profiled Oven Panels and Microwave Oven Panels are 3/4"-thick Wood with the following outside edge profile:



Species Availability and Price Grade							
Oak	Maple	Cherry	Rustic Cherry	Alder	Rustic Alder	Red Birch	Walnut
4	5	6	N/A	N/A	N/A	N/A	N/A

Program Summary				
Door Back	Standard Cabinet Interior & Exterior	Standard Exposed Interior	Face Front Edgebanding	Specified Finished Ends
Painted or Stained Not Aged, Rubbed or Worn	Neutral Woodgrain Melamine	Painted or Stained Wood Veneer	Coordinated PVC	Painted or Stained Wood Veneer with Coordinated PVC Edgebanding

Door / Drawer Construction	
<p>Door Construction</p> <p>6<sup>15</sup>/<sub>16</sub>" and narrower Slab</p> <p>7" to 23<sup>7</sup>/<sub>8</sub>" wide Recessed Center Panel Standard rails and stiles</p>	<p>Drawer Construction</p> <p>2<sup>7</sup>/<sub>8</sub>" to 6<sup>1</sup>/<sub>16</sub>" high Slab</p> <p>6<sup>1</sup>/<sub>8</sub>" to 7<sup>5</sup>/<sub>16</sub>" high Recessed Center Panel Reduced (2<sup>3</sup>/<sub>8</sub>") rails Standard stiles</p> <p>7<sup>3</sup>/<sub>8</sub>" to 23<sup>7</sup>/<sub>8</sub>" high Recessed Center Panel Standard rails and stiles</p>

• Dimensions are for actual door widths and drawer heights. For cabinet size, add 1/8" to door or drawer dimension.

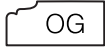
Doors Prepared for Glass			
<p>FRAME</p>	<p>X LITE</p>	<p>DOUBLE ARCH</p>	<ul style="list-style-type: none"> <li>• Doors prepared for glass do not include glass. Order glass on page 9.11-9.12.</li> <li>• X Lite style: minimum door width and height 14<sup>7</sup>/<sub>8</sub>", maximum door width 23<sup>7</sup>/<sub>8</sub>" on doors with rail/stile dimensions less than 3". For doors with rails/stiles over 3", add 1" to minimum width and height. Doors exceeding 42" high will have double X's.</li> <li>• Double Arch style: minimum door width and height 14<sup>7</sup>/<sub>8</sub>", maximum door width 23<sup>7</sup>/<sub>8</sub>" on door with rails/stiles less than 3". For doors with rails/stiles 3" and over, add 3" to minimum height and width.</li> </ul>

# Door Styles : Wood

## Boston

3/4"-thick, mortise-and-tenon frame with ogee detail on outside edge. Solid wood, slant-bevel, raised center panel. 2<sup>5</sup>/<sub>16</sub>" wide rails and stiles.

- Doors 26" wide and over will have double insert panels for stability.
- Doors 48" high and over will have double insert panels for stability.
- Painted door (without distressing packages) will have MDF center panel
- Profiled Oven Panels and Microwave Oven Panels are 3/4"-thick Wood with the following outside edge profile:



Shown with Standard Drawer Front

Shown with optional 5-Piece Matching Drawer Front  
\$89.00 List Each

### Species Availability and Price Grade

Oak	Maple	Cherry	Rustic Cherry	Alder	Rustic Alder	Red Birch	Walnut
5	6	7	6	7	6	7	N/A

### Program Summary

Door Back	Standard Cabinet Interior & Exterior	Standard Exposed Interior	Face Front Edgebanding	Specified Finished Ends
Painted or Stained Not Aged, Rubbed or Worn	Neutral Woodgrain Melamine	Painted or Stained Wood Veneer	Coordinated PVC	Painted or Stained Wood Veneer with Coordinated PVC Edgebanding

### Door / Drawer Construction

Door Construction			Drawer Construction			
6 <sup>15</sup> / <sub>16</sub> " and narrower Slab	7" to 7 <sup>9</sup> / <sub>16</sub> " wide Recessed Center Panel Standard rails and stiles	7 <sup>3</sup> / <sub>8</sub> " to 23 <sup>7</sup> / <sub>8</sub> " wide Raised Center Panel Standard rails and stiles	2 <sup>1</sup> / <sub>2</sub> " to 5 <sup>1</sup> / <sub>16</sub> " high 3/4" Flat Slab*	5 <sup>1</sup> / <sub>8</sub> " to 5 <sup>11</sup> / <sub>16</sub> " high Recessed Center Panel Reduced rails (1 <sup>1</sup> / <sub>2</sub> ") Standard stiles	5 <sup>3</sup> / <sub>4</sub> " to 7 <sup>3</sup> / <sub>16</sub> " high Raised Center Panel Reduced rails (1 <sup>1</sup> / <sub>2</sub> ") Standard stiles	7 <sup>3</sup> / <sub>8</sub> " to 23 <sup>7</sup> / <sub>8</sub> " high Raised Center Panel Standard rails and stiles
* If Ordering Slab Drawer: 3/4" Flat Slab 2 <sup>1</sup> / <sub>2</sub> " to 4 <sup>7</sup> / <sub>16</sub> "; 5/4" Profiled Slab from 4 <sup>1</sup> / <sub>2</sub> " to 23 <sup>7</sup> / <sub>8</sub> ".						

• Dimensions are for actual door widths and drawer heights. For cabinet size, add 1/8" to door or drawer dimension.

### Doors Prepared for Glass

FRAME	MULLION	PRAIRIE	QUARTER ROUND	X LITE	DOUBLE ARCH

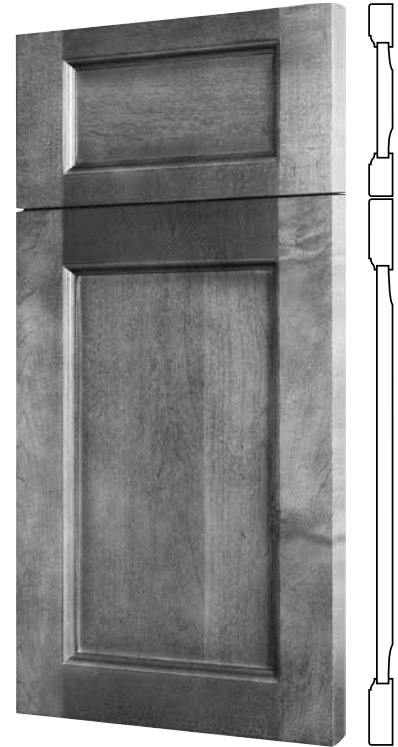
- Doors prepared for glass do not include glass. Order glass on page 9.11-9.12.
- Mullion-style doors are not available on cabinets less than 12" wide.
- Prairie-style doors are not available on cabinets less than 15" wide.
- Quarter Round-style doors have size limits. Call Customer Service.
- X Lite style: minimum door width and height 14<sup>7</sup>/<sub>8</sub>", maximum door width 23<sup>7</sup>/<sub>8</sub>" on doors with rail/stile dimensions less than 3". For doors with rails/stiles over 3", add 1" to minimum width and height. Doors exceeding 42" high will have double X's.
- Double Arch style: minimum door width and height 14<sup>7</sup>/<sub>8</sub>", maximum door width 23<sup>7</sup>/<sub>8</sub>" on door with rails/stiles less than 3". For doors with rails/stiles 3" and over, add 3" to minimum height and width.

# Door Styles : Wood

## Breckenridge

3/4"-thick, mortise-and-tenon frame with eased outside edge and beaded inside edge detail. Solid wood, recessed center panel. 2<sup>5</sup>/<sub>16</sub>" wide rails and stiles.

- Doors 26" wide and over will have double insert panels for stability.
- Doors 48" high and over will have double insert panels for stability.
- Heritage finishes are not recommended on this door style. A door sample is recommended.
- Painted door (without distressing packages) will have MDF center panel
- Profiled Oven Panels and Microwave Oven Panels are 3/4"-thick Wood with the following outside edge profile:



Species Availability and Price Grade							
Oak	Maple	Cherry	Rustic Cherry	Alder	Rustic Alder	Red Birch	Walnut
5	6	7	6	7	6	7	N/A

Program Summary				
Door Back	Standard Cabinet Interior & Exterior	Standard Exposed Interior	Face Front Edgebanding	Specified Finished Ends
Painted or Stained Not Aged, Rubbed or Worn	Neutral Woodgrain Melamine	Painted or Stained Wood Veneer	Coordinated PVC	Painted or Stained Wood Veneer with Coordinated PVC Edgebanding

Door / Drawer Construction	
Door Construction	Drawer Construction
<p>6<sup>15</sup>/<sub>16</sub>" and narrower Slab</p> <p>7" to 23<sup>7</sup>/<sub>8</sub>" wide Recessed Center Panel Standard rails and stiles</p>	<p>2<sup>1</sup>/<sub>2</sub>" to 5<sup>11</sup>/<sub>16</sub>" high Slab</p> <p>5<sup>3</sup>/<sub>4</sub>" to 6<sup>11</sup>/<sub>16</sub>" high Recessed Center Panel Reduced rails (1<sup>1</sup>/<sub>2</sub>") Standard stiles</p> <p>6<sup>3</sup>/<sub>4</sub>" to 23<sup>7</sup>/<sub>8</sub>" high Recessed Center Panel Standard rails and stiles</p>

• Dimensions are for actual door widths and drawer heights. For cabinet size, add 1/8" to door or drawer dimension.

Doors Prepared for Glass					
FRAME	MULLION	PRAIRIE	QUARTER ROUND	X LITE	DOUBLE ARCH

- Doors prepared for glass do not include glass. Order glass on page 9.11-9.12.
- Mullion-style doors are not available on cabinets less than 12" wide.
- Prairie-style doors are not available on cabinets less than 15" wide.
- Quarter Round-style doors have size limits. Call Customer Service.
- X Lite style: minimum door width and height 14<sup>7</sup>/<sub>8</sub>", maximum door width 23<sup>7</sup>/<sub>8</sub>" on doors with rail/stile dimensions less than 3". For doors with rails/stiles over 3", add 1" to minimum width and height. Doors exceeding 42" high will have double X's.
- Double Arch style: minimum door width and height 14<sup>7</sup>/<sub>8</sub>", maximum door width 23<sup>7</sup>/<sub>8</sub>" on door with rails/stiles less than 3". For doors with rails/stiles 3" and over, add 3" to minimum height and width.



# Door Styles : Wood

## Breckenridge Wide

3/4"-thick, mortise-and-tenon frame with eased outside edge, beaded inside edge detail, and 3 1/2" wide rails and stiles. Solid wood, recessed center panel.

- Doors 26" wide and over will have double insert panels for stability.
- Doors 48" high and over will have double insert panels for stability.
- Heritage finishes are not recommended on this door style. A door sample is recommended.
- Painted door (without distressing packages) will have MDF center panel
- Profiled Oven Panels and Microwave Oven Panels are 3/4"-thick Wood with the following outside edge profile:



Species Availability and Price Grade							
Oak	Maple	Cherry	Rustic Cherry	Alder	Rustic Alder	Red Birch	Walnut
5	6	7	6	7	6	7	N/A

Program Summary				
Door Back	Standard Cabinet Interior & Exterior	Standard Exposed Interior	Face Front Edgebanding	Specified Finished Ends
Painted or Stained <small>Not Aged, Rubbed or Worn</small>	Neutral Woodgrain Melamine	Painted or Stained Wood Veneer	Coordinated PVC	Painted or Stained Wood Veneer <small>with Coordinated PVC Edgebanding</small>

Door / Drawer Construction					
Door Construction			Drawer Construction		
6 15/16" and narrower Slab	7" to 9 5/16" wide Recessed Center Panel Standard rails Reduced stiles (2 5/16")	9 3/8" to 23 7/8" wide Recessed Center Panel Standard rails and stiles	2 7/8" to 5 11/16" high Slab	5 3/4" to 9 11/16" high Recessed Center Panel Reduced rails (1 1/2") Standard stiles	9 3/4" to 23 7/8" high Recessed Center Panel Standard rails and stiles

• Dimensions are for actual door widths and drawer heights. For cabinet size, add 1/8" to door or drawer dimension.

Doors Prepared for Glass					
FRAME	MULLION	PRAIRIE	QUARTER ROUND	X LITE	DOUBLE ARCH

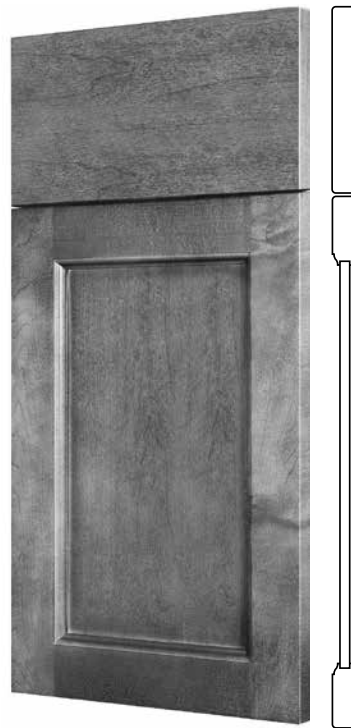
- Doors prepared for glass do not include glass. Order glass on page 9.11-9.12.
- Mullion-style doors are not available on cabinets less than 12" wide.
- Prairie-style doors are not available on cabinets less than 15" wide.
- Quarter Round-style doors have size limits. Call Customer Service.
- X Lite style: minimum door width and height 14 7/8", maximum door width 23 7/8" on doors with rail/stile dimensions less than 3". For doors with rails/stiles over 3", add 1" to minimum width and height. Doors exceeding 42" high will have double X's.
- Double Arch style: minimum door width and height 14 7/8", maximum door width 23 7/8" on door with rails/stiles less than 3". For doors with rails/stiles 3" and over, add 3" to minimum height and width.

# Door Styles : Wood

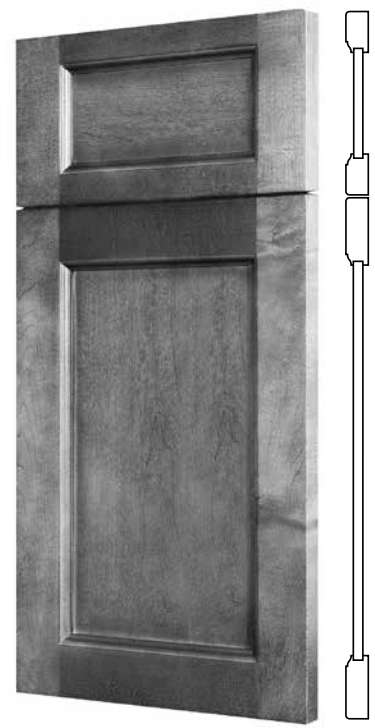
## Bristol

3/4"-thick, mortise-and-tenon frame with eased outside edge and beaded inside edge detail. Veneer, recessed center panel. 2<sup>5</sup>/<sub>16</sub>" wide rails and stiles.

- Doors 26" wide and over will have double insert panels for stability.
- Doors 48" high and over will have double insert panels for stability.
- Painted door (without distressing packages) will have MDF center panel
- Profiled Oven Panels and Microwave Oven Panels are 3/4"-thick Wood with the following outside edge profile:



Shown with Standard Drawer Front



Shown with optional  
5-Piece Matching Drawer Front  
\$89.00 List Each

### Species Availability and Price Grade

Oak	Maple	Cherry	Rustic Cherry	Alder	Rustic Alder	Red Birch	Walnut
4	5	6	N/A	6	N/A	6	N/A

### Program Summary

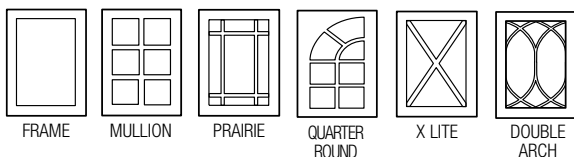
Door Back	Standard Cabinet Interior & Exterior	Standard Exposed Interior	Face Front Edgebanding	Specified Finished Ends
Painted or Stained Not Aged, Rubbed or Worn	Neutral Woodgrain Melamine	Painted or Stained Wood Veneer	Coordinated PVC	Painted or Stained Wood Veneer with Coordinated PVC Edgebanding

### Door / Drawer Construction

Door Construction	Drawer Construction
<p>6<sup>15</sup>/<sub>16</sub>" and narrower Slab</p> <p>7" to 23<sup>7</sup>/<sub>8</sub>" wide Recessed Center Panel Standard rails and stiles</p>	<p>2<sup>1</sup>/<sub>2</sub>" to 5<sup>11</sup>/<sub>16</sub>" high Slab</p> <p>5<sup>3</sup>/<sub>4</sub>" to 7<sup>5</sup>/<sub>16</sub>" high Recessed Center Panel Reduced rails (1<sup>1</sup>/<sub>2</sub>") Standard stiles</p> <p>7<sup>3</sup>/<sub>8</sub>" to 27<sup>3</sup>/<sub>8</sub>" high Recessed Center Panel Standard rails and stiles</p>

- Dimensions are for actual door widths and drawer heights. For cabinet size, add 1/8" to door or drawer dimension.

### Doors Prepared for Glass



- Doors prepared for glass do not include glass. Order glass on page 9.11-9.12.
- Mullion-style doors are not available on cabinets less than 12" wide.
- Prairie-style doors are not available on cabinets less than 15" wide.
- Quarter Round-style doors have size limits. Call Customer Service.
- X Lite style: minimum door width and height 14<sup>7</sup>/<sub>8</sub>", maximum door width 23<sup>7</sup>/<sub>8</sub>" on doors with rail/stile dimensions less than 3". For doors with rails/stiles over 3", add 1" to minimum width and height. Doors exceeding 42" high will have double X's.
- Double Arch style: minimum door width and height 14<sup>7</sup>/<sub>8</sub>", maximum door width 23<sup>7</sup>/<sub>8</sub>" on door with rails/stiles less than 3". For doors with rails/stiles 3" and over, add 3" to minimum height and width.

# Door Styles : Wood

## Broadview

3/4"-thick, mitered frame with eased outside edges and beaded inside edge detail. Solid wood, recessed center panel with 2<sup>5</sup>/<sub>16</sub>" wide rails and stiles.

- Mitered-frame door styles are not recommended for use in areas with high humidity.
- Pocket Doors not available.
- Painted door (without distressing packages) will have MDF center panel
- Profiled Oven Panels and Microwave Oven Panels are 3/4"-thick Wood with the following outside edge profile:



Shown with Standard Drawer Front

Shown with optional  
5-Piece Matching Drawer Front  
\$89.00 List Each

### Species Availability and Price Grade

Oak	Maple	Cherry	Rustic Cherry	Alder	Rustic Alder	Red Birch	Walnut
6	7	8	N/A	8	N/A	8	N/A

### Program Summary

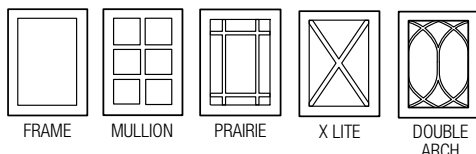
Door Back	Standard Cabinet Interior & Exterior	Standard Exposed Interior	Face Front Edgebanding	Specified Finished Ends
Painted or Stained Not Aged, Rubbed or Worn	Neutral Woodgrain Melamine	Painted or Stained Wood Veneer	Coordinated PVC	Painted or Stained Wood Veneer with Coordinated PVC Edgebanding

### Door / Drawer Construction

Door Construction		Drawer Construction	
 5 <sup>7</sup> / <sub>16</sub> " and narrower Slab	 5 <sup>1</sup> / <sub>2</sub> " to 23 <sup>7</sup> / <sub>8</sub> " wide Recessed Center Panel Standard rails and stiles	 2 <sup>1</sup> / <sub>2</sub> " to 5 <sup>3</sup> / <sub>4</sub> " high Slab	 5 <sup>13</sup> / <sub>16</sub> " to 23 <sup>7</sup> / <sub>8</sub> " high Recessed Center Panel Standard rails and stiles

- Dimensions are for actual door widths and drawer heights. For cabinet size, add 1/8" to door or drawer dimension.

### Doors Prepared for Glass



- Doors prepared for glass do not include glass. Order glass on page 9.11-9.12.
- Mullion-style doors are not available on cabinets less than 12" wide.
- Prairie-style doors are not available on cabinets less than 15" wide.
- X Lite style: minimum door width and height 14<sup>7</sup>/<sub>8</sub>", maximum door width 23<sup>7</sup>/<sub>8</sub>" on doors with rail/stile dimensions less than 3". For doors with rails/stiles over 3", add 1" to minimum width and height. Doors exceeding 42" high will have double X's.
- Double Arch style: minimum door width and height 14<sup>7</sup>/<sub>8</sub>", maximum door width 23<sup>7</sup>/<sub>8</sub>" on door with rails/stiles less than 3". For doors with rails/stiles 3" and over, add 3" to minimum height and width.

# Door Styles : Wood

## Brunswick

3/4"-thick, mitered frame with beaded outside edge and beaded inside edge detail. Solid wood, slant-bevel raised center panel. 2<sup>5</sup>/<sub>16</sub>" wide rails and stiles.

- Mitered-frame door styles are not recommended for use in areas with high humidity.
- Pocket Doors not available.
- Painted door (without distressing packages) will have MDF center panel
- Profiled Oven Panels and Microwave Oven Panels are 3/4"-thick Wood with the following outside edge profile:



Species Availability and Price Grade							
Oak	Maple	Cherry	Rustic Cherry	Alder	Rustic Alder	Red Birch	Walnut
6	7	8	7	8	7	8	N/A

Program Summary				
Door Back	Standard Cabinet Interior & Exterior	Standard Exposed Interior	Face Front Edgebanding	Specified Finished Ends
Painted or Stained Not Aged, Rubbed or Worn	Neutral Woodgrain Melamine	Painted or Stained Wood Veneer	Coordinated PVC	Painted or Stained Wood Veneer with Coordinated PVC Edgebanding

Door / Drawer Construction					
Door Construction			Drawer Construction		
4 <sup>15</sup> / <sub>16</sub> " and narrower Slab	5" to 7 <sup>5</sup> / <sub>16</sub> " wide Recessed Center Panel Reduced rails and stiles (2 <sup>5</sup> / <sub>16</sub> ")	7 <sup>3</sup> / <sub>8</sub> " to 23 <sup>7</sup> / <sub>8</sub> " wide Raised Center Panel Standard rails and stiles	2 <sup>1</sup> / <sub>2</sub> " to 5 <sup>3</sup> / <sub>4</sub> " high Slab	5 <sup>13</sup> / <sub>16</sub> " to 7 <sup>5</sup> / <sub>16</sub> " high Recessed Center Panel Standard rails and stiles	7 <sup>3</sup> / <sub>8</sub> " to 23 <sup>7</sup> / <sub>8</sub> " high Raised Center Panel Standard rails and stiles

• Dimensions are for actual door widths and drawer heights. For cabinet size, add 1/8" to door or drawer dimension.

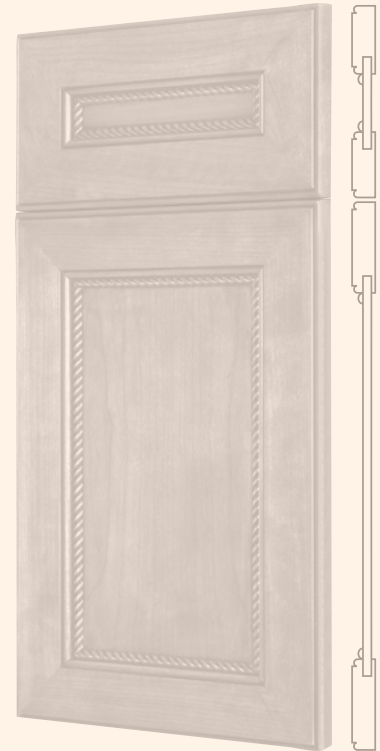
Doors Prepared for Glass					
					<ul style="list-style-type: none"> <li>• Doors prepared for glass do not include glass. Order glass on page 9.11-9.12.</li> <li>• Mullion-style doors are not available on cabinets less than 12" wide.</li> <li>• Prairie-style doors are not available on cabinets less than 15" wide.</li> <li>• X Lite style: minimum door width and height 14<sup>7</sup>/<sub>8</sub>", maximum door width 23<sup>7</sup>/<sub>8</sub>" on doors with rail/stile dimensions less than 3". For doors with rails/stiles over 3", add 1" to minimum width and height. Doors exceeding 42" high will have double X's.</li> <li>• Double Arch style: minimum door width and height 14<sup>7</sup>/<sub>8</sub>", maximum door width 23<sup>7</sup>/<sub>8</sub>" on door with rails/stiles less than 3". For doors with rails/stiles 3" and over, add 3" to minimum height and width.</li> </ul>
FRAME	MULLION	PRAIRIE	X LITE	DOUBLE ARCH	

# Door Styles : Wood

## Carnegie

3/4"-thick, mitered frame with beaded outside edge and rope and bead inside edge detail. Veneer, recessed center panel. 2<sup>5</sup>/<sub>16</sub>" wide rails and stiles.

- Mitered-frame door styles are not recommended for use in areas with high humidity.
- Veneer center panel cannot be Rubbed.
- **Doors Prepared for Glass will not have applied moulding.**
- Pocket Doors not available.
- Painted door (without distressing packages) will have MDF center panel
- Profiled Oven Panels and Microwave Oven Panels are 3/4"-thick Wood with the following outside edge profile:





Species Availability and Price Grade							
Oak	Maple	Cherry	Rustic Cherry	Alder	Rustic Alder	Red Birch	Walnut
7	8	9	N/A	9	N/A	N/A	N/A

Program Summary				
Door Back	Standard Cabinet Interior & Exterior	Standard Exposed Interior	Face Front Edgebanding	Specified Finished Ends
Painted or Stained Not Aged, Rubbed or Worn	Neutral Woodgrain Melamine	Painted or Stained Wood Veneer	Coordinated PVC	Painted or Stained Wood Veneer with Coordinated PVC Edgebanding

Door / Drawer Construction	
Door Construction	Drawer Construction
 <p>5<sup>9</sup>/<sub>16</sub>" and narrower Slab</p>  <p>5<sup>9</sup>/<sub>8</sub>" to 23<sup>7</sup>/<sub>8</sub>" wide Recessed Center Panel Standard rails and stiles</p>	 <p>2<sup>1</sup>/<sub>2</sub>" to 5<sup>3</sup>/<sub>4</sub>" high Slab</p>  <p>5<sup>13</sup>/<sub>16</sub>" to 23<sup>7</sup>/<sub>8</sub>" high Recessed Center Panel Standard rails and stiles</p>

• Dimensions are for actual door widths and drawer heights. For cabinet size, add 1/8" to door or drawer dimension.

Doors Prepared for Glass					
					<ul style="list-style-type: none"> <li>• Doors prepared for glass do not include glass. Order glass on page 9.11-9.12.</li> <li>• Mullion-style doors are not available on cabinets less than 12" wide.</li> <li>• Prairie-style doors are not available on cabinets less than 15" wide.</li> <li>• X Lite style: minimum door width and height 14<sup>7</sup>/<sub>8</sub>", maximum door width 23<sup>7</sup>/<sub>8</sub>" on doors with rail/stile dimensions less than 3". For doors with rails/stiles over 3", add 1" to minimum width and height. Doors exceeding 42" high will have double X's.</li> <li>• Double Arch style: minimum door width and height 14<sup>7</sup>/<sub>8</sub>", maximum door width 23<sup>7</sup>/<sub>8</sub>" on door with rails/stiles less than 3". For doors with rails/stiles 3" and over, add 3" to minimum height and width.</li> </ul>
FRAME	MULLION	PRAIRIE	X LITE	DOUBLE ARCH	

# Door Styles : Wood

## Charlotte

3/4"-thick, mitered frame with ogee detail on outside edge and stepped, beaded inside edge detail. Veneer, recessed center panel. 2<sup>5</sup>/<sub>16</sub>" wide rails and stiles.

- Mitered-frame door styles are not recommended for use in areas with high humidity.
- Veneer center panel cannot be Rubbed.
- Pocket Doors not available.
- Painted door (without distressing packages) will have MDF center panel
- Profiled Oven Panels and Microwave Oven Panels are 3/4"-thick Wood with the following outside edge profile:



Shown with Standard Drawer Front

Shown with optional  
5-Piece Matching Drawer Front  
\$89.00 List Each

Species Availability and Price Grade							
Oak	Maple	Cherry	Rustic Cherry	Alder	Rustic Alder	Red Birch	Walnut
4	5	6	N/A	6	N/A	6	N/A

Program Summary				
Door Back	Standard Cabinet Interior & Exterior	Standard Exposed Interior	Face Front Edgebanding	Specified Finished Ends
Painted or Stained Not Aged, Rubbed or Worn	Neutral Woodgrain Melamine	Painted or Stained Wood Veneer	Coordinated PVC	Painted or Stained Wood Veneer with Coordinated PVC Edgebanding

Door Construction		Drawer Construction	
 4 <sup>15</sup> / <sub>16</sub> " and narrower Slab	 5" to 23 <sup>7</sup> / <sub>8</sub> " wide Recessed Center Panel Standard rails and stiles	 2 <sup>1</sup> / <sub>2</sub> " to 5 <sup>3</sup> / <sub>4</sub> " high Slab	 5 <sup>13</sup> / <sub>16</sub> " to 23 <sup>7</sup> / <sub>8</sub> " high Recessed Center Panel Standard rails and stiles

• Dimensions are for actual door widths and drawer heights. For cabinet size, add 1/8" to door or drawer dimension.

Doors Prepared for Glass					
 FRAME	 MULLION	 PRAIRIE	 X LITE	 DOUBLE ARCH	<ul style="list-style-type: none"> <li>• Doors prepared for glass do not include glass. Order glass on page 9.11-9.12.</li> <li>• Mullion-style doors are not available on cabinets less than 12" wide.</li> <li>• Prairie-style doors are not available on cabinets less than 15" wide.</li> <li>• X Lite style: minimum door width and height 14<sup>7</sup>/<sub>8</sub>", maximum door width 23<sup>7</sup>/<sub>8</sub>" on doors with rail/stile dimensions less than 3". For doors with rails/stiles over 3", add 1" to minimum width and height. Doors exceeding 42" high will have double X's.</li> <li>• Double Arch style: minimum door width and height 14<sup>7</sup>/<sub>8</sub>", maximum door width 23<sup>7</sup>/<sub>8</sub>" on door with rails/stiles less than 3". For doors with rails/stiles 3" and over, add 3" to minimum height and width.</li> </ul>

# Door Styles : Wood

## Chesapeake

3/4"-thick, mitered frame with eased outside edges and beaded inside edge detail. Recessed veneer center panel with 2<sup>5</sup>/<sub>16</sub>" wide rails and stiles.

- Veneer center panel cannot be Rubbed.
- Mitered-frame door styles are not recommended for use in areas with high humidity.
- Pocket Doors not available.
- Painted door (without distressing packages) will have MDF center panel
- Profiled Oven Panels and Microwave Oven Panels are 3/4"-thick Wood with the following outside edge profile:



Shown with Standard Drawer Front

Shown with optional  
5-Piece Matching Drawer Front  
\$89.00 List Each

### Species Availability and Price Grade

Oak	Maple	Cherry	Rustic Cherry	Alder	Rustic Alder	Red Birch	Walnut
5	6	7	N/A	7	N/A	7	N/A

### Program Summary

Door Back	Standard Cabinet Interior & Exterior	Standard Exposed Interior	Face Front Edgebanding	Specified Finished Ends
Painted or Stained Not Aged, Rubbed or Worn	Neutral Woodgrain Melamine	Painted or Stained Wood Veneer	Coordinated PVC	Painted or Stained Wood Veneer with Coordinated PVC Edgebanding

### Door / Drawer Construction

Door Construction		Drawer Construction	
 5 <sup>7</sup> / <sub>16</sub> " and narrower Slab	 5 <sup>1</sup> / <sub>2</sub> " to 23 <sup>7</sup> / <sub>8</sub> " wide Recessed Center Panel Standard rails and stiles	 2 <sup>1</sup> / <sub>2</sub> " to 5 <sup>3</sup> / <sub>4</sub> " high Slab	 5 <sup>13</sup> / <sub>16</sub> " to 23 <sup>7</sup> / <sub>8</sub> " high Recessed Center Panel Standard rails and stiles

• Dimensions are for actual door widths and drawer heights. For cabinet size, add 1/8" to door or drawer dimension.

### Doors Prepared for Glass

					<ul style="list-style-type: none"> <li>• Doors prepared for glass do not include glass. Order glass on page 9.11-9.12.</li> <li>• Mullion-style doors are not available on cabinets less than 12" wide.</li> <li>• Prairie-style doors are not available on cabinets less than 15" wide.</li> <li>• X Lite style: minimum door width and height 14<sup>7</sup>/<sub>8</sub>", maximum door width 23<sup>7</sup>/<sub>8</sub>" on doors with rail/stile dimensions less than 3". For doors with rails/stiles over 3", add 1" to minimum width and height. Doors exceeding 42" high will have double X's.</li> <li>• Double Arch style: minimum door width and height 14<sup>7</sup>/<sub>8</sub>", maximum door width 23<sup>7</sup>/<sub>8</sub>" on door with rails/stiles less than 3". For doors with rails/stiles 3" and over, add 3" to minimum height and width.</li> </ul>
FRAME	MULLION	PRAIRIE	X LITE	DOUBLE ARCH	

# Door Styles : Wood

## Corona

3/4"-thick, mitered frame with eased outside edge and stepped inside edge detail. Solid wood, recessed center panel. 2<sup>5</sup>/<sub>16</sub>" wide rails and stiles.

- Mitered-frame door styles are not recommended for use in areas with high humidity.
- Pocket Doors not available.
- Heritage finishes are not recommended on this door style. A door sample is recommended.
- Painted door (without distressing packages) will have MDF center panel
- Profiled Oven Panels and Microwave Oven Panels are 3/4"-thick Wood with the following outside edge profile:



Species Availability and Price Grade							
Oak	Maple	Cherry	Rustic Cherry	Alder	Rustic Alder	Red Birch	Walnut
6	7	8	7	8	7	8	N/A

Program Summary				
Door Back	Standard Cabinet Interior & Exterior	Standard Exposed Interior	Face Front Edgebanding	Specified Finished Ends
Painted or Stained Not Aged, Rubbed or Worn	Neutral Woodgrain Melamine	Painted or Stained Wood Veneer	Coordinated PVC	Painted or Stained Wood Veneer with Coordinated PVC Edgebanding

Door / Drawer Construction	
 5 <sup>7</sup> / <sub>16</sub> " and narrower Slab  5 <sup>1</sup> / <sub>2</sub> " to 23 <sup>7</sup> / <sub>8</sub> " wide Recessed Center Panel Standard rails and stiles	 2 <sup>1</sup> / <sub>2</sub> " to 6 <sup>1</sup> / <sub>16</sub> " high Slab  6 <sup>1</sup> / <sub>8</sub> " to 23 <sup>7</sup> / <sub>8</sub> " high Recessed Center Panel Standard rails and stiles

• Dimensions are for actual door widths and drawer heights. For cabinet size, add 1/8" to door or drawer dimension.

Doors Prepared for Glass					
 FRAME	 MULLION	 PRAIRIE	 X LITE	 DOUBLE ARCH	<ul style="list-style-type: none"> <li>• Doors prepared for glass do not include glass. Order glass on page 9.11-9.12.</li> <li>• Mullion-style doors are not available on cabinets less than 12" wide.</li> <li>• Prairie-style doors are not available on cabinets less than 15" wide.</li> <li>• X Lite style: minimum door width and height 14<sup>7</sup>/<sub>8</sub>", maximum door width 23<sup>7</sup>/<sub>8</sub>" on doors with rail/stile dimensions less than 3". For doors with rails/stiles over 3", add 1" to minimum width and height. Doors exceeding 42" high will have double X's.</li> <li>• Double Arch style: minimum door width and height 14<sup>7</sup>/<sub>8</sub>", maximum door width 23<sup>7</sup>/<sub>8</sub>" on door with rails/stiles less than 3". For doors with rails/stiles 3" and over, add 3" to minimum height and width.</li> </ul>



# Door Styles : Wood

## Crystal Lake

3/4"-thick, mitered frame with eased edge and molded door profile. Solid wood, recessed center panel. 3" wide rails and stiles.

- Mitered-frame door styles are not recommended for use in areas with high humidity.
- Pocket Doors not available.
- Heritage Finishes are not recommended on this door style. A door sample is recommended.
- Painted door (without distressing packages) will have MDF center panel
- Profiled Oven Panels and Microwave Oven Panels are 3/4"-thick Wood with the following outside edge profile:

RO



Shown with Standard Drawer Front

Shown with optional  
5-Piece Matching Drawer Front  
\$89.00 List Each


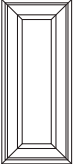


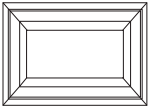
### Species Availability and Price Grade

Oak	Maple	Cherry	Rustic Cherry	Alder	Rustic Alder	Red Birch	Walnut
6	7	8	7	8	7	8	N/A

### Program Summary

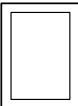
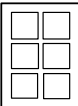
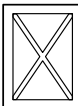
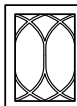
Door Back	Standard Cabinet Interior & Exterior	Standard Exposed Interior	Face Front Edgebanding	Specified Finished Ends
Painted or Stained Not Aged, Rubbed or Worn	Neutral Woodgrain Melamine	Painted or Stained Wood Veneer	Coordinated PVC	Painted or Stained Wood Veneer with Coordinated PVC Edgebanding

### Door / Drawer Construction

Door Construction	Drawer Construction
 <p>8<sup>5</sup>/<sub>8</sub>" and narrower Slab</p>  <p>8<sup>11</sup>/<sub>16</sub>" to 27<sup>7</sup>/<sub>8</sub>" wide Recessed Center Panel Standard rails and stiles</p>	 <p>2<sup>1</sup>/<sub>2</sub>" to 6<sup>1</sup>/<sub>16</sub>" high Slab</p>  <p>6<sup>1</sup>/<sub>8</sub>" to 8<sup>5</sup>/<sub>8</sub>" high Recessed Center Panel Reduced rails (2<sup>1</sup>/<sub>4</sub>") Reduced stiles (2<sup>1</sup>/<sub>4</sub>")</p>  <p>8<sup>11</sup>/<sub>16</sub>" to 23<sup>7</sup>/<sub>8</sub>" high Recessed Center Panel Standard rails and stiles</p>

• Dimensions are for actual door widths and drawer heights. For cabinet size, add 1/8" to door or drawer dimension.

### Doors Prepared for Glass

 <p>FRAME</p>	 <p>MULLION</p>	 <p>X LITE</p>	 <p>DOUBLE ARCH</p>	<ul style="list-style-type: none"> <li>• Doors prepared for glass do not include glass. Order glass on page 9.11-9.12.</li> <li>• Mullion-style doors are not available on cabinets less than 12" wide.</li> <li>• Prairie-style doors are not available on cabinets less than 15" wide.</li> <li>• X Lite style: minimum door width and height 14<sup>7</sup>/<sub>8</sub>", maximum door width 23<sup>7</sup>/<sub>8</sub>" on doors with rail/stile dimensions less than 3". For doors with rails/stiles over 3", add 1" to minimum width and height. Doors exceeding 42" high will have double X's.</li> <li>• Double Arch style: minimum door width and height 14<sup>7</sup>/<sub>8</sub>", maximum door width 23<sup>7</sup>/<sub>8</sub>" on door with rails/stiles less than 3". For doors with rails/stiles 3" and over, add 3" to minimum height and width.</li> </ul>
--	--	---	--	---

# Door Styles : Wood

## Daytona

3/4"-thick, mortise-and-tenon frame with ogee detail on outside edge and beaded inside edge detail. Veneer, recessed center panel. 2<sup>5</sup>/<sub>16</sub>" wide rails and stiles.

- Veneer center panel cannot be Rubbed.
- Doors 26" wide and over will have double insert panels for stability.
- Doors 48" high and over will have double insert panels for stability.
- Painted door (without distressing packages) will have MDF center panel
- Profiled Oven Panels and Microwave Oven Panels are 3/4"-thick Wood with the following outside edge profile:



Shown with Standard Drawer Front



Shown with optional  
5-Piece Matching Drawer Front  
\$89.00 List Each

### Species Availability and Price Grade

Oak	Maple	Cherry	Rustic Cherry	Alder	Rustic Alder	Red Birch	Walnut
4	5	6	N/A	6	N/A	6	N/A

### Program Summary

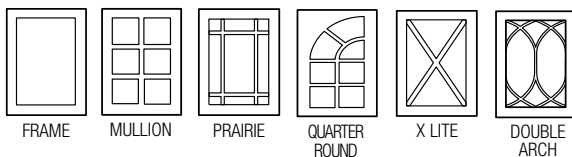
Door Back	Standard Cabinet Interior & Exterior	Standard Exposed Interior	Face Front Edgebanding	Specified Finished Ends
Painted or Stained Not Aged, Rubbed or Worn	Neutral Woodgrain Melamine	Painted or Stained Wood Veneer	Coordinated PVC	Painted or Stained Wood Veneer with Coordinated PVC Edgebanding

### Door / Drawer Construction

Door Construction	Drawer Construction
<p>6<sup>15</sup>/<sub>16</sub>" and narrower Slab</p> <p>7" to 23<sup>7</sup>/<sub>8</sub>" wide Recessed Center Panel Standard rails and stiles</p>	<p>2<sup>1</sup>/<sub>2</sub>" to 5<sup>11</sup>/<sub>16</sub>" high Slab</p> <p>5<sup>3</sup>/<sub>4</sub>" to 7<sup>5</sup>/<sub>16</sub>" high Recessed Center Panel Reduced rails (1<sup>1</sup>/<sub>2</sub>") Standard stiles</p> <p>7<sup>3</sup>/<sub>8</sub>" to 23<sup>7</sup>/<sub>8</sub>" high Recessed Center Panel Standard rails and stiles</p>

• Dimensions are for actual door widths and drawer heights. For cabinet size, add 1/8" to door or drawer dimension.

### Doors Prepared for Glass



- Doors prepared for glass do not include glass. Order glass on page 9.11-9.12.
- Mullion-style doors are not available on cabinets less than 12" wide.
- Prairie-style doors are not available on cabinets less than 15" wide.
- Quarter Round-style doors have size limits. Call Customer Service.
- X Lite style: minimum door width and height 14<sup>7</sup>/<sub>8</sub>", maximum door width 23<sup>7</sup>/<sub>8</sub>" on doors with rail/stile dimensions less than 3". For doors with rails/stiles over 3", add 1" to minimum width and height. Doors exceeding 42" high will have double X's.
- Double Arch style: minimum door width and height 14<sup>7</sup>/<sub>8</sub>", maximum door width 23<sup>7</sup>/<sub>8</sub>" on door with rails/stiles less than 3". For doors with rails/stiles 3" and over, add 3" to minimum height and width.

# Door Styles : Wood

## Dennison

3/4"-thick, mitered frame with eased outside edge and double-beaded inside edge detail. Veneer, recessed center panel. 2<sup>5</sup>/<sub>16</sub>" wide rails and stiles.

- Mitered-frame door styles are not recommended for use in areas with high humidity.
- Veneer center panel cannot be Rubbed.
- Pocket Doors not available.
- Painted door (without distressing packages) will have MDF center panel
- Profiled Oven Panels and Microwave Oven Panels are 3/4"-thick Wood with the following outside edge profile:



Shown with Standard Drawer Front

Shown with optional  
5-Piece Matching Drawer Front  
\$89.00 List Each

Species Availability and Price Grade							
Oak	Maple	Cherry	Rustic Cherry	Alder	Rustic Alder	Red Birch	Walnut
4	5	6	N/A	6	N/A	6	N/A

Program Summary				
Door Back	Standard Cabinet Interior & Exterior	Standard Exposed Interior	Face Front Edgebanding	Specified Finished Ends
Painted or Stained Not Aged, Rubbed or Worn	Neutral Woodgrain Melamine	Painted or Stained Wood Veneer	Coordinated PVC	Painted or Stained Wood Veneer with Coordinated PVC Edgebanding

Door / Drawer Construction	
<p>Door Construction</p> <p>4<sup>15</sup>/<sub>16</sub>" and narrower Slab</p> <p>5" to 23<sup>7</sup>/<sub>8</sub>" wide Recessed Center Panel Standard rails and stiles</p>	<p>Drawer Construction</p> <p>2<sup>1</sup>/<sub>2</sub>" to 5<sup>3</sup>/<sub>4</sub>" high Slab</p> <p>5<sup>13</sup>/<sub>16</sub>" to 23<sup>7</sup>/<sub>8</sub>" high Recessed Center Panel Standard rails and stiles</p>

• Dimensions are for actual door widths and drawer heights. For cabinet size, add 1/8" to door or drawer dimension.

Doors Prepared for Glass					
					<ul style="list-style-type: none"> <li>• Doors prepared for glass do not include glass. Order glass on page 9.11-9.12.</li> <li>• Mullion-style doors are not available on cabinets less than 12" wide.</li> <li>• Prairie-style doors are not available on cabinets less than 15" wide.</li> <li>• X Lite style: minimum door width and height 14<sup>7</sup>/<sub>8</sub>", maximum door width 23<sup>7</sup>/<sub>8</sub>" on doors with rail/stile dimensions less than 3". For doors with rails/stiles over 3", add 1" to minimum width and height. Doors exceeding 42" high will have double X's.</li> <li>• Double Arch style: minimum door width and height 14<sup>7</sup>/<sub>8</sub>", maximum door width 23<sup>7</sup>/<sub>8</sub>" on door with rails/stiles less than 3". For doors with rails/stiles 3" and over, add 3" to minimum height and width.</li> </ul>
FRAME	MULLION	PRAIRIE	X LITE	DOUBLE ARCH	

DISCONTINUED

# Door Styles : Wood

## Englewood

3/4"-thick, mortise-and-tenon frame with eased outside edge detail and decorative inset applied moulding. Wood veneer, recessed center panel with 3" wide rails and stiles. Slab drawer front standard, 5-Piece Matching Drawer Front optional.

- Veneer center panel cannot be Rubbed.
- **Doors Prepared for Glass will not have applied moulding.**
- Doors 26" wide and over will have double insert panels for stability.
- Doors 48" high and over will have double insert panels for stability.
- Painted door (without distressing packages) will have MDF center panel
- Profiled Oven Panels and Microwave Oven Panels are 3/4"-thick Wood with the following outside edge profile:



Shown with Standard Drawer Front

Shown with optional 5-Piece Matching Drawer Front  
\$89.00 List Each

### Species Availability and Price Grade

Oak	Maple	Cherry	Rustic Cherry	Alder	Rustic Alder	Red Birch	Walnut
6	7	8	N/A	8	N/A	8	N/A

### Program Summary

Door Back	Standard Cabinet Interior & Exterior	Standard Exposed Interior	Face Front Edgebanding	Specified Finished Ends
Painted or Stained Not Aged, Rubbed or Worn	Neutral Woodgrain Melamine	Painted or Stained Wood Veneer	Coordinated PVC	Painted or Stained Wood Veneer with Coordinated PVC Edgebanding

### Door / Drawer Construction

Door Construction			Drawer Construction		
2 <sup>9</sup> / <sub>16</sub> " to 6 <sup>1</sup> / <sub>8</sub> " wide Slab	6 <sup>3</sup> / <sub>16</sub> " to 8 <sup>11</sup> / <sub>16</sub> " wide Recessed Center Panel Reduced rails (2 <sup>5</sup> / <sub>16</sub> " Standard stiles	8 <sup>3</sup> / <sub>4</sub> " to 23 <sup>7</sup> / <sub>8</sub> " wide Recessed Center Panel Standard rails and stiles	2 <sup>7</sup> / <sub>8</sub> " to 5 <sup>7</sup> / <sub>16</sub> " high Slab	5 <sup>1</sup> / <sub>2</sub> " to 8 <sup>5</sup> / <sub>8</sub> " high Recessed Center Panel Reduced rails (1 <sup>1</sup> / <sub>2</sub> " Standard stiles	8 <sup>11</sup> / <sub>16</sub> " to 23 <sup>7</sup> / <sub>8</sub> " high Recessed Center Panel Standard rails and stiles

• Dimensions are for actual door widths and drawer heights. For cabinet size, add 1/8" to door or drawer dimension.

### Doors Prepared for Glass



- Doors prepared for glass do not include glass. Order glass on page 9.11-9.12.
- Frame-style doors will not include Astragal moulding detail.

# Door Styles : Wood

## Evanston

3/4"-thick, mortise-and-tenon frame with eased outside edges and beaded inside moulding. 2<sup>5</sup>/<sub>16</sub>" wide rails and stiles. Solid wood, shallow depth, two-step raised center panel.

- Doors 26" wide and over will have double insert panels for stability.
- Doors 48" high and over will have double insert panels for stability.
- Outside edge profile will not hold glazing.
- Painted door (without distressing packages) will have MDF center panel
- Profiled Oven Panels and Microwave Oven Panels are 3/4"-thick Wood with the following outside edge profile:

RO



Shown with Standard Drawer Front



Shown with optional  
5-Piece Matching Drawer Front  
\$89.00 List Each

### Species Availability and Price Grade

Oak	Maple	Cherry	Rustic Cherry	Alder	Rustic Alder	Red Birch	Walnut
4	5	6	5	6	5	6	N/A

### Program Summary

Door Back	Standard Cabinet Interior & Exterior	Standard Exposed Interior	Face Front Edgebanding	Specified Finished Ends
Painted or Stained Not Aged, Rubbed or Worn	Neutral Woodgrain Melamine	Painted or Stained Wood Veneer	Coordinated PVC	Painted or Stained Wood Veneer with Coordinated PVC Edgebanding

### Door / Drawer Construction

Door Construction			Drawer Construction			
6 <sup>15</sup> / <sub>16</sub> " and narrower Slab	7" to 7 <sup>5</sup> / <sub>16</sub> " wide Recessed Center Panel Standard rails and stiles	7 <sup>3</sup> / <sub>8</sub> " to 23 <sup>7</sup> / <sub>8</sub> " wide Raised Center Panel Standard rails and stiles	2 <sup>7</sup> / <sub>8</sub> " to 5 <sup>1</sup> / <sub>16</sub> " high Slab	5 <sup>1</sup> / <sub>8</sub> " to 6 <sup>5</sup> / <sub>8</sub> " high Recessed Center Panel Reduced rails (1 <sup>1</sup> / <sub>2</sub> " Standard stiles	6 <sup>11</sup> / <sub>16</sub> " to 8 <sup>5</sup> / <sub>16</sub> " high Raised Center Panel Reduced rails (1 <sup>1</sup> / <sub>2</sub> " Standard stiles	8 <sup>3</sup> / <sub>8</sub> " to 23 <sup>7</sup> / <sub>8</sub> " high Raised Center Panel Standard rails Standard stiles

- Dimensions are for actual door widths and drawer heights. For cabinet size, add 1/8" to door or drawer dimension.

### Doors Prepared for Glass

						<ul style="list-style-type: none"> <li>• Doors prepared for glass do not include glass. Order glass on page 9.11-9.12.</li> <li>• Mullion-style doors are not available on cabinets less than 12" wide.</li> <li>• Prairie-style doors are not available on cabinets less than 15" wide.</li> <li>• Quarter Round-style doors have size limits. Call Customer Service.</li> <li>• X Lite style: minimum door width and height 14<sup>7</sup>/<sub>8</sub>", maximum door width 23<sup>7</sup>/<sub>8</sub>" on doors with rail/stile dimensions less than 3". For doors with rails/stiles over 3", add 1" to minimum width and height. Doors exceeding 42" high will have double X's.</li> <li>• Double Arch style: minimum door width and height 14<sup>7</sup>/<sub>8</sub>", maximum door width 23<sup>7</sup>/<sub>8</sub>" on door with rails/stiles less than 3". For doors with rails/stiles 3" and over, add 3" to minimum height and width.</li> </ul>
FRAME	MULLION	PRAIRIE	QUARTER ROUND	X LITE	DOUBLE ARCH	

# Door Styles : Wood

## Fairlawn

3/4"-thick, mortise-and-tenon frame with ogee detail on outside and inside edge. Solid wood, cove-bevel, raised center panel. 2<sup>5</sup>/<sub>16</sub>" wide rails and stiles.

- Doors 26" wide and over will have double insert panels for stability.
- Doors 48" high and over will have double insert panels for stability.
- Outside edge profile will not hold glazing.
- Painted door (without distressing packages) will have MDF center panel
- Profiled Oven Panels and Microwave Oven Panels are 3/4"-thick Wood with the following outside edge profile:



Shown with Standard Drawer Front



Shown with optional 5-Piece Matching Drawer Front  
\$89.00 List Each

### Species Availability and Price Grade

Oak	Maple	Cherry	Rustic Cherry	Alder	Rustic Alder	Red Birch	Walnut
4	5	6	5	6	5	6	N/A

### Program Summary

Door Back	Standard Cabinet Interior & Exterior	Standard Exposed Interior	Face Front Edgebanding	Specified Finished Ends
Painted or Stained Not Aged, Rubbed or Worn	Neutral Woodgrain Melamine	Painted or Stained Wood Veneer	Coordinated PVC	Painted or Stained Wood Veneer with Coordinated PVC Edgebanding

### Door / Drawer Construction

Door Construction			Drawer Construction			
6 <sup>15</sup> / <sub>16</sub> " and narrower Slab	7" to 7 <sup>9</sup> / <sub>16</sub> " wide Recessed Center Panel Standard rails and stiles	7 <sup>3</sup> / <sub>8</sub> " to 23 <sup>7</sup> / <sub>8</sub> " wide Raised Center Panel Standard rails and stiles	2 <sup>1</sup> / <sub>2</sub> " to 5 <sup>11</sup> / <sub>16</sub> " high Slab	5 <sup>1</sup> / <sub>8</sub> " to 5 <sup>11</sup> / <sub>16</sub> " high Recessed Center Panel Reduced rails (1 <sup>1</sup> / <sub>2</sub> ") Standard stiles	5 <sup>3</sup> / <sub>4</sub> " to 7 <sup>9</sup> / <sub>16</sub> " high Raised Center Panel Reduced rails (1 <sup>1</sup> / <sub>2</sub> ") Standard stiles	7 <sup>3</sup> / <sub>8</sub> " to 23 <sup>7</sup> / <sub>8</sub> " high Raised Center Panel Standard rails and stiles

• Dimensions are for actual door widths and drawer heights. For cabinet size, add 1/8" to door or drawer dimension.

### Doors Prepared for Glass

FRAME	MULLION	PRAIRIE	QUARTER ROUND	X LITE	DOUBLE ARCH

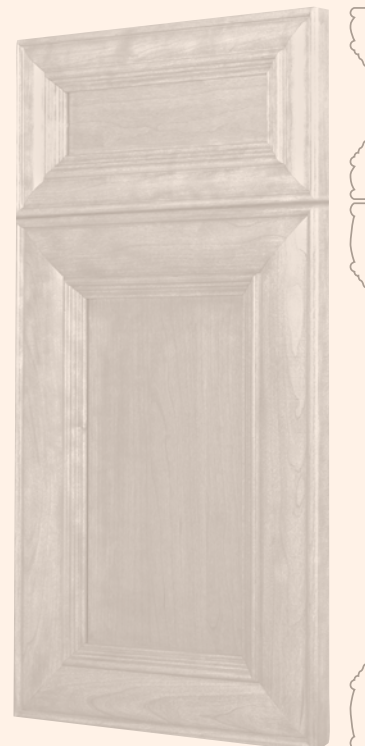
- Doors prepared for glass do not include glass. Order glass on page 9.11-9.12.
- Mullion-style doors are not available on cabinets less than 12" wide.
- Prairie-style doors are not available on cabinets less than 15" wide.
- Quarter Round-style doors have size limits. Call Customer Service.
- X Lite style: minimum door width and height 14<sup>7</sup>/<sub>8</sub>", maximum door width 23<sup>7</sup>/<sub>8</sub>" on doors with rail/stile dimensions less than 3". For doors with rails/stiles over 3", add 1" to minimum width and height. Doors exceeding 42" high will have double X's.
- Double Arch style: minimum door width and height 14<sup>7</sup>/<sub>8</sub>", maximum door width 23<sup>7</sup>/<sub>8</sub>" on door with rails/stiles less than 3". For doors with rails/stiles 3" and over, add 3" to minimum height and width.

# Door Styles : Wood

## Freedom

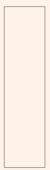
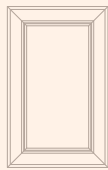



3/4"-thick, mitered frame with molded profile.  
 Solid wood, slant-bevel, recessed center panel.  
 27/8" wide rails and stiles.

- Mitered-frame door styles are not recommended for use in areas with high humidity.
- Painted door (without distressing packages) will have MDF center panel
- Profiled Oven Panels and Microwave Oven Panels are 3/4"-thick Wood with the following outside edge profile:

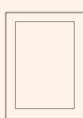



Species Availability and Price Grade							
Oak	Maple	Cherry	Rustic Cherry	Alder	Rustic Alder	Red Birch	Walnut
6	7	8	7	8	7	8	N/A

Program Summary				
Door Back	Standard Cabinet Interior & Exterior	Standard Exposed Interior	Face Front Edgebanding	Specified Finished Ends
Painted or Stained Not Aged, Rubbed or Worn	Neutral Woodgrain Melamine	Painted or Stained Wood Veneer	Coordinated PVC	Painted or Stained Wood Veneer with Coordinated PVC Edgebanding

Door / Drawer Construction	
Door Construction	Drawer Construction
 <p>6<sup>1</sup>/<sub>16</sub>" and narrower Slab</p>  <p>7<sup>7</sup>/<sub>8</sub>" to 23<sup>7</sup>/<sub>8</sub>" wide Recessed Center Panel Standard rails and stiles</p>	 <p>2<sup>1</sup>/<sub>2</sub>" to 6<sup>1</sup>/<sub>16</sub>" high Slab</p>  <p>6<sup>1</sup>/<sub>8</sub>" to 8<sup>5</sup>/<sub>8</sub>" high Recessed Center Panel Reduced rails (2") Reduced stiles (2")</p>  <p>8<sup>11</sup>/<sub>16</sub>" to 23<sup>7</sup>/<sub>8</sub>" high Recessed Center Panel Standard rails and stiles</p>

• Dimensions are for actual door widths and drawer heights. For cabinet size, add 1/8" to door or drawer dimension.

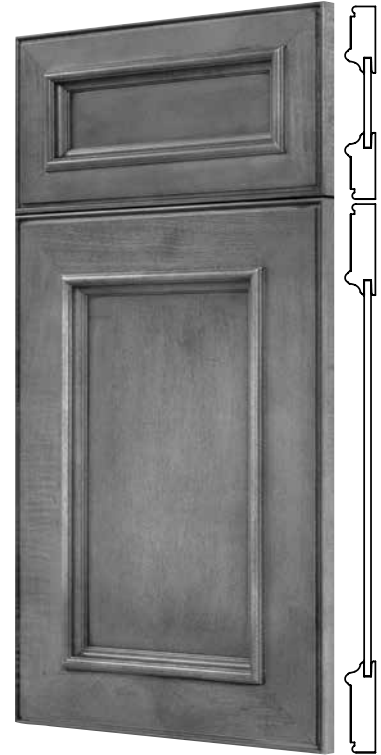
Doors Prepared for Glass				
 FRAME	 MULLION	 PRAIRIE	 X LITE	 DOUBLE ARCH
<ul style="list-style-type: none"> <li>• Doors prepared for glass do not include glass. Order glass on page 9.11-9.12.</li> <li>• Mullion-style doors are not available on cabinets less than 12" wide.</li> <li>• Prairie-style doors are not available on cabinets less than 15" wide.</li> <li>• X Lite style: minimum door width and height 14<sup>7</sup>/<sub>8</sub>", maximum door width 23<sup>7</sup>/<sub>8</sub>" on doors with rail/stile dimensions less than 3". For doors with rails/stiles over 3", add 1" to minimum width and height. Doors exceeding 42" high will have double X's.</li> <li>• Double Arch style: minimum door width and height 14<sup>7</sup>/<sub>8</sub>", maximum door width 23<sup>7</sup>/<sub>8</sub>" on door with rails/stiles less than 3". For doors with rails/stiles 3" and over, add 3" to minimum height and width.</li> </ul>				

# Door Styles : Wood

## Frisco

3/4"-thick, mitered and beaded frame with applied moulding detail. Flat veneer, recessed center panel. 2 1/4" wide rails and stiles. 5-piece matching drawer front standard.

- Mitered-frame door styles are not recommended for use in areas with high humidity.
- Veneer center panel cannot be Rubbed.
- **Doors Prepared for Glass will not have applied moulding.**
- Pocket Doors not available.
- Metal Drawer not available.
- Painted door (without distressing packages) will have MDF center panel
- Profiled Oven Panels and Microwave Oven Panels are 3/4"-thick Wood with the following outside edge profile:



Species Availability and Price Grade							
Oak	Maple	Cherry	Rustic Cherry	Alder	Rustic Alder	Red Birch	Walnut
6	7	8	N/A	N/A	N/A	N/A	N/A

Program Summary				
Door Back	Standard Cabinet Interior & Exterior	Standard Exposed Interior	Face Front Edgebanding	Specified Finished Ends
Painted or Stained Not Aged, Rubbed or Worn	Neutral Woodgrain Melamine	Painted or Stained Wood Veneer	Coordinated PVC	Painted or Stained Wood Veneer with Coordinated PVC Edgebanding

Door / Drawer Construction	
Door Construction	Drawer Construction
<p>6<sup>15</sup>/<sub>16</sub>" and narrower Slab</p> <p>7" to 23<sup>7</sup>/<sub>8</sub>" wide Recessed Center Panel Standard rails and stiles</p>	<p>2<sup>7</sup>/<sub>8</sub>" to 5<sup>7</sup>/<sub>16</sub>" high Slab</p> <p>5<sup>1</sup>/<sub>2</sub>" to 8<sup>7</sup>/<sub>16</sub>" high Recessed Center Panel Reduced rails (1<sup>1</sup>/<sub>2</sub>") Reduced stiles (1<sup>1</sup>/<sub>2</sub>")</p> <p>8<sup>1</sup>/<sub>2</sub>" to 23<sup>7</sup>/<sub>8</sub>" high Recessed Center Panel Standard rails and stiles</p>

• Dimensions are for actual door widths and drawer heights. For cabinet size, add 1/8" to door or drawer dimension.

Doors Prepared for Glass				
				<ul style="list-style-type: none"> <li>• Doors prepared for glass do not include glass. Order glass on page 9.11-9.12.</li> <li>• Mullion-style doors are not available on cabinets less than 12" wide.</li> <li>• X Lite style: minimum door width and height 14<sup>7</sup>/<sub>8</sub>", maximum door width 23<sup>7</sup>/<sub>8</sub>" on doors with rail/stile dimensions less than 3". For doors with rails/stiles over 3", add 1" to minimum width and height. Doors exceeding 42" high will have double X's.</li> <li>• Double Arch style: minimum door width and height 14<sup>7</sup>/<sub>8</sub>", maximum door width 23<sup>7</sup>/<sub>8</sub>" on door with rails/stiles less than 3". For doors with rails/stiles 3" and over, add 3" to minimum height and width.</li> </ul>
FRAME	MULLION	X LITE	DOUBLE ARCH	



# Door Styles : Wood

## Hampton

3/4"-thick, mortise-and-tenon frame with eased outside edge and beaded inside edge detail. Solid wood, recessed center panel with double-grooved beaded detail. 2<sup>5</sup>/<sub>16</sub>" wide rails and stiles.

- Doors 26" wide and over will have double insert panels for stability.
- Doors 48" high and over will have double insert panels for stability.
- 5-piece drawer fronts 27" wide and wider will have double insert panels for stability.
- Beading on doors and drawer fronts will not align on a cabinet with a single drawer and double doors.
- Profiled Oven Panels and Microwave Oven Panels are 3/4"-thick Wood with the following outside edge profile:



Shown with Standard Drawer Front



Shown with optional  
5-Piece Matching Drawer Front  
\$89.00 List Each

### Species Availability and Price Grade

Oak	Maple	Cherry	Rustic Cherry	Alder	Rustic Alder	Red Birch	Walnut
5	6	7	N/A	7	N/A	7	N/A

### Program Summary

Door Back	Standard Cabinet Interior & Exterior	Standard Exposed Interior	Face Front Edgebanding	Specified Finished Ends
Painted or Stained Not Aged, Rubbed or Worn	Neutral Woodgrain Melamine	Painted or Stained Wood Veneer	Coordinated PVC	Painted or Stained Wood Veneer with Coordinated PVC Edgebanding

### Door / Drawer Construction

Door Construction		Drawer Construction		
6 <sup>15</sup> / <sub>16</sub> " and narrower Slab	7" to 23 <sup>7</sup> / <sub>8</sub> " wide Recessed Center Panel Standard rails and stiles	2 <sup>1</sup> / <sub>2</sub> " to 5 <sup>11</sup> / <sub>16</sub> " high Slab	5 <sup>3</sup> / <sub>4</sub> " to 6 <sup>11</sup> / <sub>16</sub> " high Recessed Center Panel with Beading Reduced rails (1 <sup>1</sup> / <sub>2</sub> ") Standard stiles	6 <sup>3</sup> / <sub>4</sub> " to 23 <sup>7</sup> / <sub>8</sub> " high Recessed Center Panel with Beading Standard rails Standard stiles

• Dimensions are for actual door widths and drawer heights. For cabinet size, add 1/8" to door or drawer dimension.

### Doors Prepared for Glass

					<ul style="list-style-type: none"> <li>• Doors prepared for glass do not include glass. Order glass on page 9.11-9.12.</li> <li>• Mullion-style doors are not available on cabinets less than 12" wide.</li> <li>• Prairie-style doors are not available on cabinets less than 15" wide.</li> <li>• X Lite style: minimum door width and height 14<sup>7</sup>/<sub>8</sub>", maximum door width 23<sup>7</sup>/<sub>8</sub>" on doors with rail/stile dimensions less than 3". For doors with rails/stiles over 3", add 1" to minimum width and height. Doors exceeding 42" high will have double X's.</li> <li>• Double Arch style: minimum door width and height 14<sup>7</sup>/<sub>8</sub>", maximum door width 23<sup>7</sup>/<sub>8</sub>" on door with rails/stiles less than 3". For doors with rails/stiles 3" and over, add 3" to minimum height and width.</li> </ul>
--	--	--	--	--	---

DISCONTINUED

## Door Styles : Wood

### Kiawah

3/4"-thick, mortise-and-tenon frame with eased edges, and 2" wide rails and 2 1/4" wide stiles. Solid wood, louvered construction with solid center panel. Slab drawer front standard.

- Doors 26" wide and over will have double insert panels for stability.
- Doors 48" high and over will have double insert panels for stability.
- If door/drawer height requires a partial slat, it will be placed at the bottom of the louver section.
- Painted door (without distressing packages) will have MDF center panel behind solid wood louvers.
- Profiled Oven Panels and Microwave Oven Panels are 3/4"-thick Wood with the following outside edge profile:



Shown with Standard Drawer Front



Shown with optional  
5-Piece Matching Drawer Front  
\$89.00 List Each

### Species Availability and Price Grade

Oak	Maple	Cherry	Rustic Cherry	Alder	Rustic Alder	Red Birch	Walnut
N/A	7	8	N/A	N/A	N/A	N/A	N/A

### Program Summary

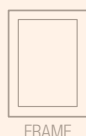
Door Back	Standard Cabinet Interior & Exterior	Standard Exposed Interior	Face Front Edgebanding	Specified Finished Ends
Painted or Stained Not Aged, Rubbed or Worn	Neutral Woodgrain Melamine	Painted or Stained Wood Veneer	Coordinated PVC	Painted or Stained Wood Veneer with Coordinated PVC Edgebanding

### Door / Drawer Construction

Door Construction	Drawer Construction
<p>6 11/16" and narrower Slab</p> <p>6 3/4" to 23 7/8" wide Louvered Panel</p>	<p>2 1/2" to 6 1/16" high Slab</p> <p>6 1/8" to 8 5/8" high Louvered Center Panel Reduced rails (1 5/8") Standard stiles</p> <p>8 11/16" to 23 7/8" high Louvered Center Panel Standard rails and stiles</p>

- Dimensions are for actual door widths and drawer heights. For cabinet size, add 1/8" to door or drawer dimension.

### Doors Prepared for Glass



- Doors prepared for glass do not include glass. Order glass on page 9.11-9.12.

# Door Styles : Wood

## Lafayette

7/8"-thick, mitered frame with notched outside edges and molded door profile. Solid wood, recessed center panel with 2 1/2" wide rails and stiles.

- Mitered-frame door styles are not recommended for use in areas with high humidity.
- Pocket Doors not available.
- Painted door (without distressing packages) will have MDF center panel
- Profiled Oven Panels and Microwave Oven Panels are 3/4"-thick Wood with the following outside edge profile:


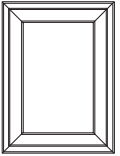


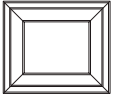


Shown with Standard Drawer Front


Shown with optional  
5-Piece Matching Drawer Front  
\$89.00 List Each

Species Availability and Price Grade							
Oak	Maple	Cherry	Rustic Cherry	Alder	Rustic Alder	Red Birch	Walnut
6	7	8	N/A	8	N/A	8	N/A

Program Summary				
Door Back	Standard Cabinet Interior & Exterior	Standard Exposed Interior	Face Front Edgebanding	Specified Finished Ends
Painted or Stained Not Aged, Rubbed or Worn	Neutral Woodgrain Melamine	Painted or Stained Wood Veneer	Coordinated PVC	Painted or Stained Wood Veneer with Coordinated PVC Edgebanding

Door / Drawer Construction	
Door Construction	Drawer Construction
 <p>7 1/8" and narrower Slab</p>  <p>7 13/16" to 23 7/8" wide Recessed Center Panel Standard rails and stiles</p>	 <p>2 1/2" to 5 11/16" high Slab</p>  <p>5 1/2" to 7 5/16" high Recessed Center Panel Reduced rails (1 1/2") Standard stiles</p>  <p>7 3/8" to 23 7/8" high Recessed Center Panel Standard rails and stiles</p>

• Dimensions are for actual door widths and drawer heights. For cabinet size, add 1/8" to door or drawer dimension.

Doors Prepared for Glass				
				<ul style="list-style-type: none"> <li>• Doors prepared for glass do not include glass. Order glass on page 9.11-9.12.</li> <li>• Mullion-style doors are not available on cabinets less than 12" wide.</li> <li>• Prairie-style doors are not available on cabinets less than 15" wide.</li> <li>• X Lite style: minimum door width and height 14 7/8", maximum door width 23 7/8" on doors with rail/stile dimensions less than 3". For doors with rails/stiles over 3", add 1" to minimum width and height. Doors exceeding 42" high will have double X's.</li> </ul>
FRAME	MULLION	PRAIRIE	X LITE	

# Door Styles : Wood

## Lakeway

7/8"-thick, mitered frame with notched outside edges and molded door profile. Recessed veneer center panel with 2 1/2" wide rails and stiles.

- Veneer center panel cannot be Rubbed.
- Mitered-frame door styles are not recommended for use in areas with high humidity.
- Pocket Doors not available.
- Painted door (without distressing packages) will have MDF center panel
- Profiled Oven Panels and Microwave Oven Panels are 3/4"-thick Wood with the following outside edge profile:



Shown with Standard Drawer Front

Shown with optional  
5-Piece Matching Drawer Front  
\$89.00 List Each

### Species Availability and Price Grade

Oak	Maple	Cherry	Rustic Cherry	Alder	Rustic Alder	Red Birch	Walnut
5	6	7	N/A	7	N/A	7	N/A

### Program Summary

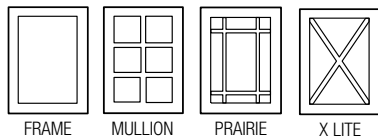
Door Back	Standard Cabinet Interior & Exterior	Standard Exposed Interior	Face Front Edgebanding	Specified Finished Ends
Painted or Stained Not Aged, Rubbed or Worn	Neutral Woodgrain Melamine	Painted or Stained Wood Veneer	Coordinated PVC	Painted or Stained Wood Veneer with Coordinated PVC Edgebanding

### Door / Drawer Construction

Door Construction		Drawer Construction		
 7 1/8" and narrower Slab	 7 13/16" to 23 7/8" wide Recessed Center Panel Standard rails and stiles	 2 1/2" to 5 11/16" high Slab	 5 1/2" to 7 5/16" high Recessed Center Panel Reduced rails (1 1/2") Standard stiles	 7 3/8" to 23 7/8" high Recessed Center Panel Standard rails and stiles

• Dimensions are for actual door widths and drawer heights. For cabinet size, add 1/8" to door or drawer dimension.

### Doors Prepared for Glass



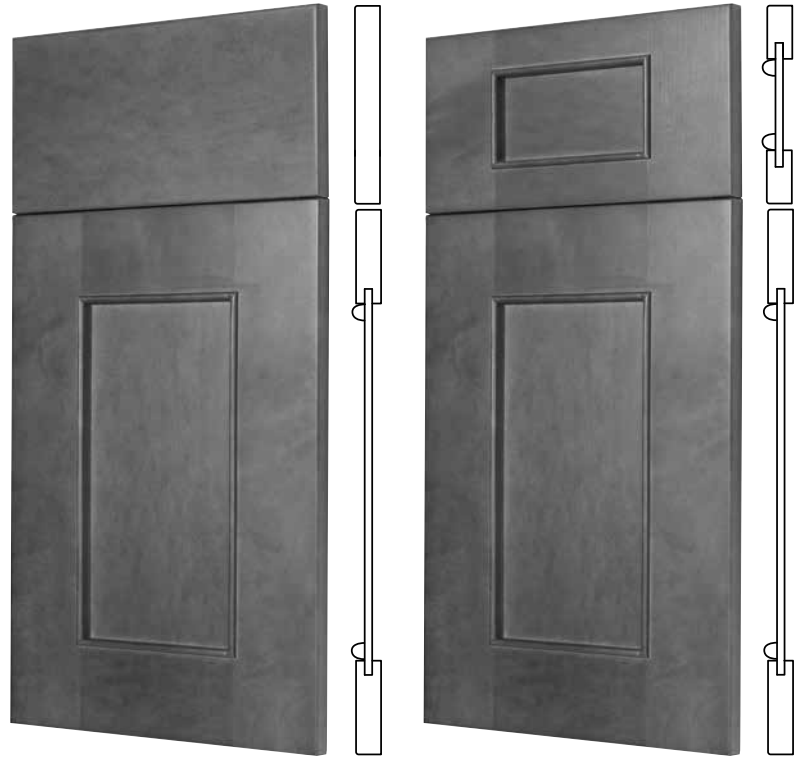
- Doors prepared for glass do not include glass. Order glass on page 9.11-9.12.
- Mullion-style doors are not available on cabinets less than 12" wide.
- Prairie-style doors are not available on cabinets less than 15" wide.
- X Lite style: minimum door width and height 14 7/8", maximum door width 23 7/8" on doors with rail/stile dimensions less than 3". For doors with rails/stiles over 3", add 1" to minimum width and height. Doors exceeding 42" high will have double X's.

# Door Styles : Wood

## Lauderdale

3/4"-thick, mortise-and-tenon frame with eased outside edge detail and decorative inset applied moulding. Wood veneer, recessed center panel with 3" wide rails and stiles. Slab drawer front standard, 5-Piece Matching Drawer Front optional.

- Veneer center panel cannot be Rubbed.
- Doors 26" wide and over will have double insert panels for stability.
- Doors 48" high and over will have double insert panels for stability.
- Painted door (without distressing packages) will have MDF center panel
- Profiled Oven Panels and Microwave Oven Panels are 3/4"-thick Wood with the following outside edge profile:



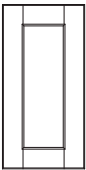
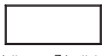
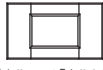
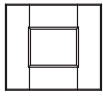


Shown with Standard Drawer Front

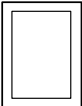
Shown with optional 5-Piece Matching Drawer Front  
\$89.00 List Each

Species Availability and Price Grade							
Oak	Maple	Cherry	Rustic Cherry	Alder	Rustic Alder	Red Birch	Walnut
5	6	7	N/A	7	N/A	7	N/A

Program Summary				
Door Back	Standard Cabinet Interior & Exterior	Standard Exposed Interior	Face Front Edgebanding	Specified Finished Ends
Painted or Stained Not Aged, Rubbed or Worn	Neutral Woodgrain Melamine	Painted or Stained Wood Veneer	Coordinated PVC	Painted or Stained Wood Veneer with Coordinated PVC Edgebanding

Door / Drawer Construction		
Door Construction	Drawer Construction	
 57/8" to 61/4" wide Slab	 65/16" to 811/16" wide Recessed Center Panel Standard rails Reduced stiles (25/16")	 83/4" to 237/8" wide Recessed Center Panel Standard rails and stiles
	 21/2" to 57/16" high Slab	 51/2" to 85/8" high Recessed Center Panel Reduced rails (11/2") Standard stiles
	 811/16" to 237/8" high Recessed Center Panel Standard rails and stiles	

• Dimensions are for actual door widths and drawer heights. For cabinet size, add 1/8" to door or drawer dimension.

Doors Prepared for Glass	
 FRAME	<ul style="list-style-type: none"> <li>• Doors prepared for glass do not include glass. Order glass on page 9.11-9.12.</li> <li>• Frame-style doors will include waterfall inside edge detail.</li> </ul>

# Door Styles : Wood

## Liberty

3/4"-thick, mitered frame with molded profile. Solid wood, slant-bevel, raised center panel. 27/8" wide rails and stiles.

- Mitered-frame door styles are not recommended for use in areas with high humidity.
- Painted door (without distressing packages) will have MDF center panel
- Profiled Oven Panels and Microwave Oven Panels are 3/4"-thick Wood with the following outside edge profile:



Species Availability and Price Grade							
Oak	Maple	Cherry	Rustic Cherry	Alder	Rustic Alder	Red Birch	Walnut
6	7	8	7	8	7	8	N/A

Program Summary				
Door Back	Standard Cabinet Interior & Exterior	Standard Exposed Interior	Face Front Edgebanding	Specified Finished Ends
Painted or Stained Not Aged, Rubbed or Worn	Neutral Woodgrain Melamine	Painted or Stained Wood Veneer	Coordinated PVC	Painted or Stained Wood Veneer with Coordinated PVC Edgebanding

Door / Drawer Construction							
Door Construction				Drawer Construction			
61/16" and narrower Slab	61/8" to 811/16" wide Recessed Center Panel Standard rails and stiles	83/4" to 237/8" wide Raised Center Panel Standard rails and stiles		21/2" to 61/16" high Slab	61/8" to 75/16" high Recessed Center Panel Reduced rails (2") Reduced stiles (2")	73/8" to 91/16" high Raised Center Panel Reduced rails (2") Reduced stiles (2")	91/8" to 237/8" high Raised Center Panel Standard rails and stiles

• Dimensions are for actual door widths and drawer heights. For cabinet size, add 1/8" to door or drawer dimension.

Doors Prepared for Glass				
FRAME	MULLION	PRAIRIE	X LITE	DOUBLE ARCH

- Doors prepared for glass do not include glass. Order glass on page 9.11-9.12.
- Mullion-style doors are not available on cabinets less than 12" wide.
- Prairie-style doors are not available on cabinets less than 15" wide.
- X Lite style: minimum door width and height 147/8", maximum door width 237/8" on doors with rail/stile dimensions less than 3". For doors with rails/stiles over 3", add 1" to minimum width and height. Doors exceeding 42" high will have double X's.
- Double Arch style: minimum door width and height 147/8", maximum door width 237/8" on door with rails/stiles less than 3". For doors with rails/stiles 3" and over, add 3" to minimum height and width.

# Door Styles : Wood

## Livingston

3/4"-thick, mitered frame with molded profile. Solid wood, raised center panel. 2<sup>15</sup>/<sub>16</sub>" wide rails and stiles.

- Mitered-frame door styles are not recommended for use in areas with high humidity.
- Painted door (without distressing packages) will have MDF center panel
- Profiled Oven Panels and Microwave Oven Panels are 3/4"-thick Wood with the following outside edge profile:

RO



Species Availability and Price Grade							
Oak	Maple	Cherry	Rustic Cherry	Alder	Rustic Alder	Red Birch	Walnut
6	7	8	7	8	7	8	N/A

Program Summary				
Door Back	Standard Cabinet Interior & Exterior	Standard Exposed Interior	Face Front Edgebanding	Specified Finished Ends
Painted or Stained Not Aged, Rubbed or Worn	Neutral Woodgrain Melamine	Painted or Stained Wood Veneer	Coordinated PVC	Painted or Stained Wood Veneer with Coordinated PVC Edgebanding

Door / Drawer Construction			
Door Construction			Drawer Construction
27/8" to 611/16" Slab	63/4" to 815/16" wide Recessed Center Panel Standard rails and stiles	9" to 237/8" wide Raised Center Panel Standard rails and stiles	27/8" to 43/8" high Slab
			47/16" to 65/16" high Recessed Center Panel Reduced rails (15/8") Reduced stiles (15/8")
			63/8" to 815/16" high Raised Center Panel Reduced rails (15/8") Reduced stiles (15/8")
			9" to 237/8" high Raised Center Panel Standard rails and stiles

- Dimensions are for actual door widths and drawer heights. For cabinet size, add 1/8" to door or drawer dimension.

Doors Prepared for Glass				
FRAME	MULLION	PRAIRIE	X LITE	DOUBLE ARCH
<ul style="list-style-type: none"> <li>• Doors prepared for glass do not include glass. Order glass on page 9.11-9.12.</li> <li>• Mullion-style doors are not available on cabinets less than 12" wide.</li> <li>• Prairie-style doors are not available on cabinets less than 15" wide.</li> <li>• X Lite style: minimum door width and height 147/8", maximum door width 237/8" on doors with rail/stile dimensions less than 3". For doors with rails/stiles over 3", add 1" to minimum width and height. Doors exceeding 42" high will have double X's.</li> <li>• Double Arch style: minimum door width and height 147/8", maximum door width 237/8" on door with rails/stiles less than 3". For doors with rails/stiles 3" and over, add 3" to minimum height and width.</li> </ul>				

# Door Styles : Wood

## Manhattan Wide

3/4"-thick, mortise-and-tenon frame with ogee detail on outside and inside edge, applied moulding detail, and 3 1/2" wide rails and stiles.

- Pocket Doors not available.
- Doors 26" wide and over will have double insert panels for stability.
- Doors 48" high and over will have double insert panels for stability.
- Painted door (without distressing packages) will have MDF center panel
- Profiled Oven Panels and Microwave Oven Panels are 3/4"-thick Wood with the following outside edge profile:



Species Availability and Price Grade							
Oak	Maple	Cherry	Rustic Cherry	Alder	Rustic Alder	Red Birch	Walnut
7	8	9	8	9	8	9	N/A

Program Summary				
Door Back	Standard Cabinet Interior & Exterior	Standard Exposed Interior	Face Front Edgebanding	Specified Finished Ends
Painted or Stained Not Aged, Rubbed or Worn	Neutral Woodgrain Melamine	Painted or Stained Wood Veneer	Coordinated PVC	Painted or Stained Wood Veneer with Coordinated PVC Edgebanding

Door / Drawer Construction						
Door Construction			Drawer Construction			
8 1/4" and narrower Slab	8 5/16" to 10 5/16" wide Raised Center Panel, Standard rails and Reduced stiles (2 5/16")	10 3/8" to 23 7/8" wide Raised Center Panel Standard rails and stiles	2 1/2" to 6 1/16" high Slab	6 1/8" to 7 5/16" high Recessed Center Panel Reduced rails (2") Standard stiles	7 3/8" to 10 5/16" high Raised Center Panel Reduced rails (2") Standard stiles	10 3/8" to 23 7/8" high Raised Center Panel Standard rails and stiles

• Dimensions are for actual door widths and drawer heights. For cabinet size, add 1/8" to door or drawer dimension.

Doors Prepared for Glass					
					<ul style="list-style-type: none"> <li>• Doors prepared for glass do not include glass. Order glass on page 9.11-9.12.</li> <li>• Mullion-style doors are not available on cabinets less than 12" wide.</li> <li>• Prairie-style doors are not available on cabinets less than 15" wide.</li> <li>• X Lite style: minimum door width and height 14 7/8", maximum door width 23 7/8" on doors with rail/stile dimensions less than 3". For doors with rails/stiles over 3", add 1" to minimum width and height. Doors exceeding 42" high will have double X's.</li> <li>• Double Arch style: minimum door width and height 14 7/8", maximum door width 23 7/8" on door with rails/stiles less than 3". For doors with rails/stiles 3" and over, add 3" to minimum height and width.</li> </ul>
FRAME	MULLION	PRAIRIE	X LITE	DOUBLE ARCH	

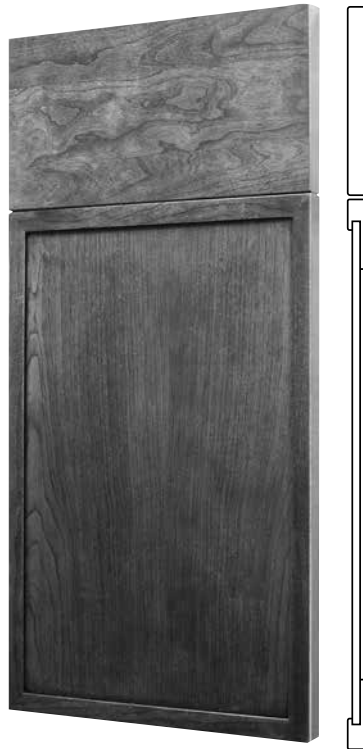


# Door Styles : Wood

## Marshall

3/4"-thick, mitered frame with eased edges. Veneer, center panel, recessed 1/8". Rails and stiles are 3/4"-wide on the front and 2<sup>5</sup>/<sub>16</sub>" on the back. Slab drawer front with horizontal grain standard.

- Not available prepped for glass.
- 5-piece drawer will have vertical grain direction on center panel.
- Glazing will not show due to lack of profile, however overall tone of stains and paint colors will change.
- Wood Dovetail Drawer in Birch is standard; Wood Dovetail Drawer in Walnut is an upgrade.
- Decorative End Panels for Tall cabinets (DECEPT, DECEPTE), Arch Raised Panel Valance, Pocket Doors and Vegetable Drawer are not available.
- Profiled Oven and Microwave Oven Panels are 3/4"-thick with the following outside edge profile:



Shown with Standard Drawer Front



Shown with optional  
5-Piece Matching Drawer Front  
\$89.00 List Each

Species Availability and Price Grade								
Oak	Maple	MDF	Cherry	Rustic Cherry	Alder	Rustic Alder	Red Birch	Walnut
5	6	N/A	7	N/A	7	N/A	7	8

Program Summary				
Door Back	Standard Cabinet Interior & Exterior	Standard Exposed Interior	Face Front Edgebanding	Specified Finished Ends
Painted or Stained Not Aged, Rubbed or Worn	Neutral Woodgrain Melamine	Painted or Stained Wood Veneer	Coordinated PVC	Painted or Stained Wood Veneer with Coordinated PVC Edgebanding

Door / Drawer Construction	
Door Construction	Drawer Construction
<p>5<sup>5</sup>/<sub>16</sub>" and narrower Slab</p> <p>5<sup>3</sup>/<sub>8</sub>" to 23<sup>7</sup>/<sub>8</sub>" wide Recessed Center Panel Standard rails and stiles</p>	<p>2<sup>1</sup>/<sub>2</sub>" to 5<sup>5</sup>/<sub>16</sub>" high Slab</p> <p>5<sup>3</sup>/<sub>8</sub>" to 23<sup>7</sup>/<sub>8</sub>" high Recessed Center Panel Standard rails Standard stiles</p>

- Dimensions are for actual door widths and drawer heights. For cabinet size, add 1/8" to door or drawer dimension.

# Door Styles : Wood

## Mount Vernon

3/4"-thick, mitered frame with detailed, molded profile. Solid wood, slant-bevel, raised center panel. 2 1/2" wide rails and stiles.

- Mitered-frame door styles are not recommended for use in areas with high humidity.
- Pocket Doors not available.
- Painted door (without distressing packages) will have MDF center panel
- Profiled Oven Panels and Microwave Oven Panels are 3/4"-thick Wood with the following outside edge profile:



Species Availability and Price Grade							
Oak	Maple	Cherry	Rustic Cherry	Alder	Rustic Alder	Red Birch	Walnut
6	7	8	7	8	7	8	N/A

Program Summary				
Door Back	Standard Cabinet Interior & Exterior	Standard Exposed Interior	Face Front Edgebanding	Specified Finished Ends
Painted or Stained Not Aged, Rubbed or Worn	Neutral Woodgrain Melamine	Painted or Stained Wood Veneer	Coordinated PVC	Painted or Stained Wood Veneer with Coordinated PVC Edgebanding

Door / Drawer Construction					
Door Construction			Drawer Construction		
5 5/16" and narrower Slab	5 3/8" to 7 11/16" wide Recessed Center Panel Standard rails and stiles	7 3/4" to 23 7/8" wide Raised Center Panel Standard rails and stiles	2 1/2" to 6 1/16" high Slab	6 1/8" to 7 11/16" high Recessed Center Panel Standard rails and stiles	7 3/4" to 23 7/8" high Raised Center Panel Standard rails and stiles

• Dimensions are for actual door widths and drawer heights. For cabinet size, add 1/8" to door or drawer dimension.

Doors Prepared for Glass					
					<ul style="list-style-type: none"> <li>• Doors prepared for glass do not include glass. Order glass on page 9.11-9.12.</li> <li>• Mullion-style doors are not available on cabinets less than 12" wide.</li> <li>• Prairie-style doors are not available on cabinets less than 15" wide.</li> <li>• X Lite style: minimum door width and height 14 7/8", maximum door width 23 7/8" on doors with rail/stile dimensions less than 3". For doors with rails/stiles over 3", add 1" to minimum width and height. Doors exceeding 42" high will have double X's.</li> <li>• Double Arch style: minimum door width and height 14 7/8", maximum door width 23 7/8" on door with rails/stiles less than 3". For doors with rails/stiles 3" and over, add 3" to minimum height and width.</li> </ul>
FRAME	MULLION	PRAIRIE	X LITE	DOUBLE ARCH	

# Door Styles : Wood

## Oakland Park

3/4"-thick, mitered frame with eased outside edge and beveled inside edge door profile. Veneer, recessed center panel with 2<sup>11</sup>/<sub>16</sub>" wide rails and stiles.

- Veneer center panel cannot be Rubbed.
- Pocket Doors not available.
- Mitered-frame door styles are not recommended for use in areas with high humidity.
- Painted door (without distressing packages) will have MDF center panel
- Profiled Oven Panels and Microwave Oven Panels are 3/4"-thick Wood with the following outside edge profile:



Shown with Standard Drawer Front



Shown with optional  
5-Piece Matching Drawer Front  
\$89.00 List Each

### Species Availability and Price Grade

Oak	Maple	Cherry	Rustic Cherry	Alder	Rustic Alder	Red Birch	Walnut
6	7	8	N/A	8	N/A	8	N/A

### Program Summary

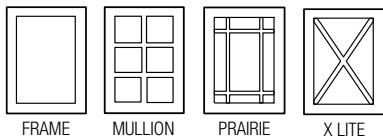
Door Back	Standard Cabinet Interior & Exterior	Standard Exposed Interior	Face Front Edgebanding	Specified Finished Ends
Painted or Stained Not Aged, Rubbed or Worn	Neutral Woodgrain Melamine	Painted or Stained Wood Veneer	Coordinated PVC	Painted or Stained Wood Veneer with Coordinated PVC Edgebanding

### Door / Drawer Construction

Door Construction	Drawer Construction
<p>2<sup>7</sup>/<sub>8</sub>" to 7<sup>5</sup>/<sub>16</sub>" Slab</p> <p>7<sup>3</sup>/<sub>8</sub>" to 23<sup>7</sup>/<sub>8</sub>" wide Recessed Center Panel Standard rails and stiles</p>	<p>2<sup>7</sup>/<sub>8</sub>" to 6<sup>1</sup>/<sub>16</sub>" high Slab</p> <p>6<sup>1</sup>/<sub>8</sub>" to 7<sup>5</sup>/<sub>16</sub>" high Recessed Center Panel Reduced rails (2<sup>1</sup>/<sub>16</sub>") Reduced stiles (2<sup>1</sup>/<sub>16</sub>")</p> <p>7<sup>3</sup>/<sub>8</sub>" to 23<sup>7</sup>/<sub>8</sub>" high Recessed Center Panel Standard rails and stiles</p>

- Dimensions are for actual door widths and drawer heights. For cabinet size, add 1/8" to door or drawer dimension.

### Doors Prepared for Glass



- Doors prepared for glass do not include glass. Order glass on page 9.11-9.12.
- Mullion-style doors are not available on cabinets less than 12" wide.
- Prairie-style doors are not available on cabinets less than 15" wide.
- X Lite style: minimum door width and height 14<sup>7</sup>/<sub>8</sub>", maximum door width 23<sup>7</sup>/<sub>8</sub>" on doors with rail/stile dimensions less than 3". For doors with rails/stiles over 3", add 1" to minimum width and height. Doors exceeding 42" high will have double X's. X Lite style on Oakland Park will not have angled inside profile detail.

# Door Styles : Wood

## Old Salem Wide

3/4"-thick, mortise-and-tenon frame with ogee detail on outside and inside edge, and 3 1/2" wide rails and stiles. Solid wood, slant-bevel, raised center panel.

- Doors 26" wide and over will have double insert panels for stability.
- Doors 48" high and over will have double insert panels for stability.
- Painted door (without distressing packages) will have MDF center panel
- Profiled Oven Panels and Microwave Oven Panels are 3/4"-thick Wood with the following outside edge profile:



Species Availability and Price Grade							
Oak	Maple	Cherry	Rustic Cherry	Alder	Rustic Alder	Red Birch	Walnut
5	6	7	6	7	6	7	N/A

Program Summary				
Door Back	Standard Cabinet Interior & Exterior	Standard Exposed Interior	Face Front Edgebanding	Specified Finished Ends
Painted or Stained Not Aged, Rubbed or Worn	Neutral Woodgrain Melamine	Painted or Stained Wood Veneer	Coordinated PVC	Painted or Stained Wood Veneer with Coordinated PVC Edgebanding

Door / Drawer Construction			
Door Construction			Drawer Construction
6 3/8" and narrower Slab	7 7/16" to 9 11/16" wide Recessed Center Panel Standard rails and stiles	9 3/4" to 23 7/8" wide Raised Center Panel Standard rails and stiles	2 1/2" to 4 15/16" high Slab
			5" to 5 11/16" high Recessed Center Panel Reduced rails (1 1/2") Standard stiles
			5 3/4" to 10 1/16" high Raised Center Panel Reduced rails (1 1/2") Standard stiles
			10 1/8" to 23 7/8" high Raised Center Panel Standard rails and stiles

- Dimensions are for actual door widths and drawer heights. For cabinet size, add 1/8" to door or drawer dimension.

Doors Prepared for Glass					
FRAME	MULLION	PRAIRIE	QUARTER ROUND	X LITE	DOUBLE ARCH
<ul style="list-style-type: none"> <li>• Doors prepared for glass do not include glass. Order glass on page 9.11-9.12.</li> <li>• Mullion-style doors are not available on cabinets less than 12" wide.</li> <li>• Prairie-style doors are not available on cabinets less than 15" wide.</li> <li>• Quarter Round-style doors have size limits. Call Customer Service.</li> <li>• X Lite style: minimum door width and height 14 7/8", maximum door width 23 7/8" on doors with rail/stile dimensions less than 3". For doors with rails/stiles over 3", add 1" to minimum width and height. Doors exceeding 42" high will have double X's.</li> <li>• Double Arch style: minimum door width and height 14 7/8", maximum door width 23 7/8" on door with rails/stiles less than 3". For doors with rails/stiles 3" and over, add 3" to minimum height and width.</li> </ul>					

# Door Styles : Wood

## Perth Amboy

3/4"-thick, mitered frame with eased outside edge, beading on inside edge for an inset look, and 3/8" wide rails and stiles. Solid wood, slant-bevel, raised center panel.

- Mitered-frame door styles are not recommended for use in areas with high humidity.
- Heritage finishes are not recommended on this door style. A door sample is recommended.
- Painted door (without distressing packages) will have MDF center panel
- Profiled Oven Panels and Microwave Oven Panels are 3/4"-thick Wood with the following outside edge profile:



Species Availability and Price Grade							
Oak	Maple	Cherry	Rustic Cherry	Alder	Rustic Alder	Red Birch	Walnut
7	8	9	8	9	8	9	N/A

Program Summary				
Door Back	Standard Cabinet Interior & Exterior	Standard Exposed Interior	Face Front Edgebanding	Specified Finished Ends
Painted or Stained Not Aged, Rubbed or Worn	Neutral Woodgrain Melamine	Painted or Stained Wood Veneer	Coordinated PVC	Painted or Stained Wood Veneer with Coordinated PVC Edgebanding

Door / Drawer Construction							
Door Construction				Drawer Construction			
57/16" and narrower Slab	5 1/2" to 8 9/16" wide Recessed Center Panel Reduced rails and stiles (2 5/16")	8 5/8" to 10 9/16" wide Recessed Center Panel Standard rails and stiles	10 5/8" to 23 7/8" wide Raised Center Panel Standard rails and stiles	2 1/2" to 6 1/16" high Slab	6 1/8" to 7 5/16" high Recessed Center Panel Reduced rails (2 5/16") Reduced stiles (2 5/16")	7 3/8" to 10 9/16" high Raised Center Panel Reduced rails (2 5/16") Reduced stiles (2 5/16")	10 5/8" to 23 7/8" high Raised Center Panel Standard rails Standard stiles

• Dimensions are for actual door widths and drawer heights. For cabinet size, add 1/8" to door or drawer dimension.

Doors Prepared for Glass				
FRAME	MULLION	PRAIRIE	X LITE	DOUBLE ARCH

- Doors prepared for glass do not include glass. Order glass on page 9.11-9.12.
- Mullion-style doors are not available on cabinets less than 12" wide.
- Prairie-style doors are not available on cabinets less than 15" wide.
- X Lite style: minimum door width and height 14 7/8", maximum door width 23 7/8" on doors with rail/stile dimensions less than 3". For doors with rails/stiles over 3", add 1" to minimum width and height. Doors exceeding 42" high will have double X's.
- Double Arch style: minimum door width and height 14 7/8", maximum door width 23 7/8" on door with rails/stiles less than 3". For doors with rails/stiles 3" and over, add 3" to minimum height and width.

# Door Styles : Wood

## Plainview

3/4"-thick, mortise-and-tenon frame with eased edges, and 2<sup>5</sup>/<sub>16</sub>" wide rails and stiles. Veneer, shallow-depth recessed center panel. Slab drawer front standard.

- Veneer center panel cannot be Rubbed.
- Doors 26" wide and over will have double insert panels for stability.
- Doors 48" high and over will have double insert panels for stability.
- Glazing will not show due to lack of profile, however overall tone of base stains and Paint colors will change.
- Painted door (without distressing packages) will have MDF center panel
- Profiled Oven Panels and Microwave Oven Panels are 3/4"-thick Wood with the following outside edge profile:



Shown with Standard Drawer Front

Shown with optional 5-Piece Matching Drawer Front  
\$89.00 List Each

### Species Availability and Price Grade

Oak	Maple	Cherry	Rustic Cherry	Alder	Rustic Alder	Red Birch	Walnut
4	5	6	N/A	6	N/A	6	N/A

### Program Summary

Door Back	Standard Cabinet Interior & Exterior	Standard Exposed Interior	Face Front Edgebanding	Specified Finished Ends
Painted or Stained Not Aged, Rubbed or Worn	Neutral Woodgrain Melamine	Painted or Stained Wood Veneer	Coordinated PVC	Painted or Stained Wood Veneer with Coordinated PVC Edgebanding

### Door / Drawer Construction

Door Construction		Drawer Construction		
6" and narrower Slab	6 <sup>1</sup> / <sub>16</sub> " to 23 <sup>7</sup> / <sub>8</sub> " wide Recessed Center Panel Standard rails and stiles	2 <sup>1</sup> / <sub>2</sub> " to 5 <sup>11</sup> / <sub>16</sub> " high Slab	5 <sup>3</sup> / <sub>4</sub> " to 7 <sup>5</sup> / <sub>16</sub> " high Recessed Center Panel Reduced rails (1 <sup>1</sup> / <sub>2</sub> ") Standard stiles	7 <sup>3</sup> / <sub>8</sub> " to 23 <sup>7</sup> / <sub>8</sub> " high Recessed Center Panel Standard rails Standard stiles

• Dimensions are for actual door widths and drawer heights. For cabinet size, add 1/8" to door or drawer dimension.

### Doors Prepared for Glass

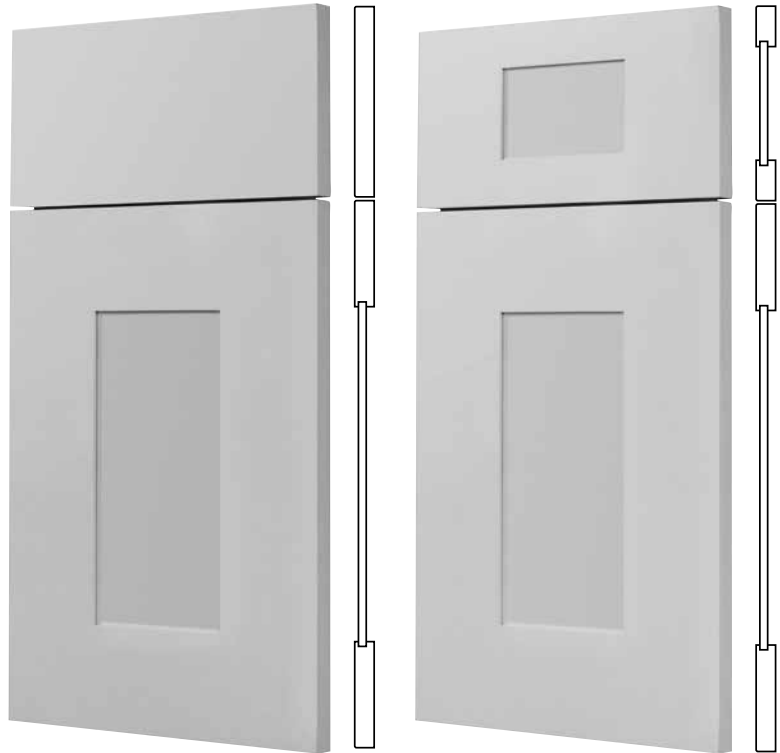
				<ul style="list-style-type: none"> <li>• Doors prepared for glass do not include glass. Order glass on page 9.11-9.12.</li> <li>• Mullion-style doors are not available on cabinets less than 12" wide.</li> <li>• X Lite style: minimum door width and height 14<sup>7</sup>/<sub>8</sub>", maximum door width 23<sup>7</sup>/<sub>8</sub>" on doors with rail/stile dimensions less than 3". For doors with rails/stiles over 3", add 1" to minimum width and height. Doors exceeding 42" high will have double X's.</li> <li>• Double Arch style: minimum door width and height 14<sup>7</sup>/<sub>8</sub>", maximum door width 23<sup>7</sup>/<sub>8</sub>" on door with rails/stiles less than 3". For doors with rails/stiles 3" and over, add 3" to minimum height and width.</li> </ul>
FRAME	MULLION	X LITE	DOUBLE ARCH	

# Door Styles : Wood

## Plainview Wide

3/4"-thick, mortise-and-tenon frame with eased edges, and 3 1/2" wide rails and stiles. Veneer, shallow-depth recessed center panel. Slab drawer front standard.

- Veneer center panel cannot be Rubbed.
- Doors 26" wide and over will have double insert panels for stability.
- Doors 48" high and over will have double insert panels for stability.
- Glazing will not show due to lack of profile, however overall tone of base stains and Paint colors will change.
- Painted door (without distressing packages) will have MDF center panel
- Profiled Oven Panels and Microwave Oven Panels are 3/4"-thick Wood with the following outside edge profile:



Shown with Standard Drawer Front

Shown with optional  
5-Piece Matching Drawer Front  
\$89.00 List Each

### Species Availability and Price Grade

Oak	Maple	Cherry	Rustic Cherry	Alder	Rustic Alder	Red Birch	Walnut
4	5	6	N/A	6	N/A	6	N/A

### Program Summary

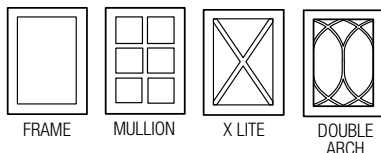
Door Back	Standard Cabinet Interior & Exterior	Standard Exposed Interior	Face Front Edgebanding	Specified Finished Ends
Painted or Stained Not Aged, Rubbed or Worn	Neutral Woodgrain Melamine	Painted or Stained Wood Veneer	Coordinated PVC	Painted or Stained Wood Veneer with Coordinated PVC Edgebanding

### Door / Drawer Construction

Door Construction			Drawer Construction		
6 <sup>15</sup> / <sub>16</sub> " and narrower Slab	7" to 8 <sup>7</sup> / <sub>16</sub> " wide Recessed Center Panel Standard rails Reduced stiles (2 <sup>9</sup> / <sub>16</sub> " )	8 <sup>1</sup> / <sub>2</sub> " to 23 <sup>7</sup> / <sub>8</sub> " wide Recessed Center Panel Standard rails and stiles	2 <sup>7</sup> / <sub>8</sub> " to 5 <sup>11</sup> / <sub>16</sub> " high Slab	5 <sup>3</sup> / <sub>4</sub> " to 9 <sup>11</sup> / <sub>16</sub> " high Recessed Center Panel Reduced rails (1 <sup>1</sup> / <sub>2</sub> " ) Standard stiles	9 <sup>3</sup> / <sub>4</sub> " to 23 <sup>7</sup> / <sub>8</sub> " high Recessed Center Panel Standard rails and stiles

• Dimensions are for actual door widths and drawer heights. For cabinet size, add 1/8" to door or drawer dimension.

### Doors Prepared for Glass



- Doors prepared for glass do not include glass. Order glass on page 9.11-9.12.
- Mullion-style doors are not available on cabinets less than 12" wide.
- X Lite style: minimum door width and height 14<sup>7</sup>/<sub>8</sub>", maximum door width 23<sup>7</sup>/<sub>8</sub>" on doors with rail/stile dimensions less than 3". For doors with rails/stiles over 3", add 1" to minimum width and height. Doors exceeding 42" high will have double X's.
- Double Arch style: minimum door width and height 14<sup>7</sup>/<sub>8</sub>", maximum door width 23<sup>7</sup>/<sub>8</sub>" on door with rails/stiles less than 3". For doors with rails/stiles 3" and over, add 3" to minimum height and width.

# Door Styles : Wood

## Plantation

3/4"-thick, mortise-and-tenon frame with square inside edges and large beveled outside edge. Solid wood, recessed center panel. 3" wide rails and stiles.

- Doors 26" wide and over will have double insert panels for stability.
- Doors 48" high and over will have double insert panels for stability.
- End grain will be noticeably darker than face grain when stained.
- Glazing will not show due to lack of profile, however overall tone of base stains and Paint colors will change.
- Heritage finishes are not recommended on this door style. A door sample is recommended.
- Overlay Fillers not available Fluted for this door style. Minimum Filler width is 2 1/2".
- Painted door (without distressing packages) will have MDF center panel
- Profiled Oven Panels and Microwave Oven Panels are 3/4"-thick Wood with the following outside edge profile:



Shown with Standard Drawer Front

Shown with optional  
5-Piece Matching Drawer Front  
\$89.00 List Each

### Species Availability and Price Grade

Oak	Maple	Cherry	Rustic Cherry	Alder	Rustic Alder	Red Birch	Walnut
5	6	7	6	7	6	7	N/A

### Program Summary

Door Back	Standard Cabinet Interior & Exterior	Standard Exposed Interior	Face Front Edgebanding	Specified Finished Ends
Painted or Stained Not Aged, Rubbed or Worn	Neutral Woodgrain Melamine	Painted or Stained Wood Veneer	Coordinated PVC	Painted or Stained Wood Veneer with Coordinated PVC Edgebanding

### Door / Drawer Construction

Door Construction			Drawer Construction		
2 7/8" to 6 15/16" wide Slab	7" to 8 1/16" wide Recessed Center Panel Standard rails Reduced stiles (2 5/16")	8 1/8" to 23 7/8" wide Recessed Center Panel Standard rails and stiles	2 7/8" to 5 7/16" high Slab	5 1/2" to 8 5/8" high Recessed Center Panel Reduced rails (1 3/8") Standard stiles	8 1/16" to 23 7/8" high Recessed Center Panel Standard rails and stiles

- Dimensions are for actual door widths and drawer heights. For cabinet size, add 1/8" to door or drawer dimension.

### Doors Prepared for Glass

						<ul style="list-style-type: none"> <li>• Doors prepared for glass do not include glass. Order glass on page 9.11-9.12.</li> <li>• Mullion-style doors are not available on cabinets less than 12" wide.</li> <li>• Prairie-style doors are not available on cabinets less than 15" wide.</li> <li>• Quarter Round-style doors have size limits. Call Customer Service.</li> <li>• X Lite style: minimum door width and height 14 7/8", maximum door width 23 7/8" on doors with rail/stile dimensions less than 3". For doors with rails/stiles over 3", add 1" to minimum width and height. Doors exceeding 42" high will have double X's.</li> <li>• Double Arch style: minimum door width and height 14 7/8", maximum door width 23 7/8" on door with rails/stiles less than 3". For doors with rails/stiles 3" and over, add 3" to minimum height and width.</li> </ul>
FRAME	MULLION	PRAIRIE	QUARTER ROUND	X LITE	DOUBLE ARCH	



# Door Styles : Wood

## Plymouth

3/4"-thick, mitered and beaded frame with applied moulding detail. Solid wood, detailed, raised center panel. 2 1/4" wide rails and stiles. 5-piece matching drawer front standard.

- Mitered-frame door styles are not recommended for use in areas with high humidity.
- **Doors Prepared for Glass will not have applied moulding.**
- Pocket Doors not available.
- Painted door (without distressing packages) will have MDF center panel
- Profiled Oven Panels and Microwave Oven Panels are 3/4"-thick Wood with the following outside edge profile:



Species Availability and Price Grade							
Oak	Maple	Cherry	Rustic Cherry	Alder	Rustic Alder	Red Birch	Walnut
6	7	8	N/A	N/A	N/A	N/A	N/A

Program Summary				
Door Back	Standard Cabinet Interior & Exterior	Standard Exposed Interior	Face Front Edgebanding	Specified Finished Ends
Painted or Stained Not Aged, Rubbed or Worn	Neutral Woodgrain Melamine	Painted or Stained Wood Veneer	Coordinated PVC	Painted or Stained Wood Veneer with Coordinated PVC Edgebanding

Door / Drawer Construction			
Door Construction			Drawer Construction
6 15/16" and narrower Slab	7" to 8 7/16" wide Recessed Center Panel Standard rails and stiles	8 1/2" to 23 7/8" wide Raised Center Panel Standard rails and stiles	2 7/8" to 5 7/16" high Slab
			5 1/2" to 6 1/16" high Recessed Center Panel Reduced rails (1 1/2") Reduced stiles (1 1/2")
			6 1/8" to 8 7/16" high Raised Center Panel Reduced rails (1 1/2") Reduced stiles (1 1/2")
			8 1/2" to 23 7/8" high Raised Center Panel Standard rails and stiles

• Dimensions are for actual door widths and drawer heights. For cabinet size, add 1/8" to door or drawer dimension.

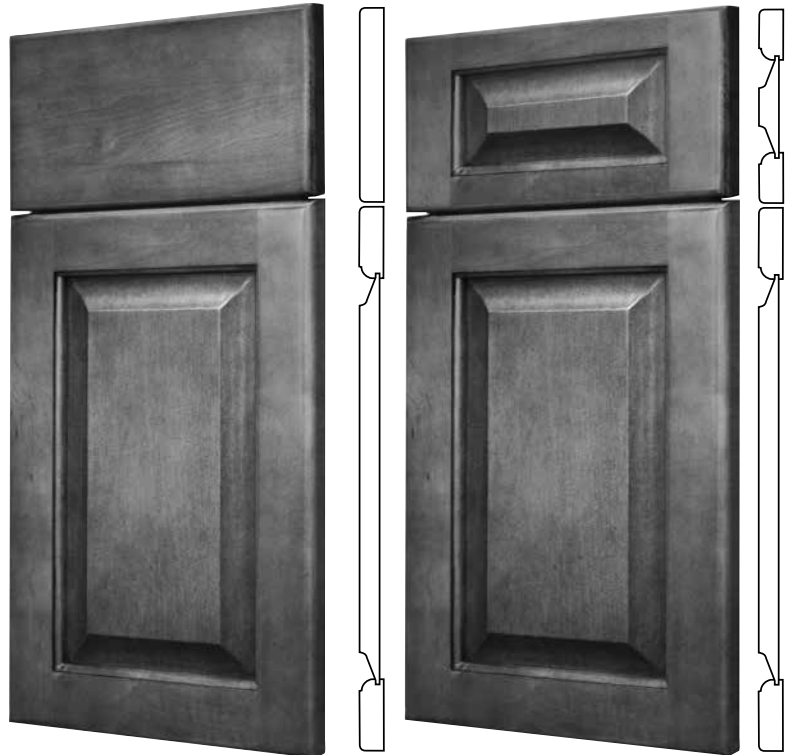
Doors Prepared for Glass			
FRAME	MULLION	X LITE	DOUBLE ARCH
<ul style="list-style-type: none"> <li>• Doors prepared for glass do not include glass. Order glass on page 9.11-9.12.</li> <li>• Mullion-style doors are not available on cabinets less than 12" wide.</li> <li>• X Lite style: minimum door width and height 14 7/8", maximum door width 23 7/8" on doors with rail/stile dimensions less than 3". For doors with rails/stiles over 3", add 1" to minimum width and height. Doors exceeding 42" high will have double X's.</li> <li>• Double Arch style: minimum door width and height 14 7/8", maximum door width 23 7/8" on door with rails/stiles less than 3". For doors with rails/stiles 3" and over, add 3" to minimum height and width.</li> </ul>			

# Door Styles : Wood

## Raised

3/4"-thick, mortise-and-tenon frame with eased outer edges. Solid Wood, cove-bevel, raised center panel. 2 1/4" wide rails and stiles.

- Doors 26" wide and over will have double insert panels for stability.
- Doors 48" high and over will have double insert panels for stability.
- Painted door (without distressing packages) will have MDF center panel
- Profiled Oven Panels and Microwave Oven Panels are 3/4"-thick Wood with the following outside edge profile:



Shown with Standard Drawer Front

Shown with optional  
5-Piece Matching Drawer Front  
\$89.00 List Each

### Species Availability and Price Grade

Oak	Maple	Cherry	Rustic Cherry	Alder	Rustic Alder	Red Birch	Walnut
N/A	4	5	N/A	N/A	N/A	N/A	N/A

### Program Summary

Door Back	Standard Cabinet Interior & Exterior	Standard Exposed Interior	Face Front Edgebanding	Specified Finished Ends
Painted or Stained Wood Veneer Not Aged, Rubbed or Worn	Neutral Woodgrain Melamine	Painted or Stained Wood Veneer	Coordinated PVC	Painted or Stained Wood Veneer with Coordinated PVC Edgebanding

### Door / Drawer Construction

Door Construction			Drawer Construction			
6 15/16" and narrower Slab	7" to 8 11/16" wide Recessed Center Panel Standard rails and stiles	8 3/4" to 23 7/8" wide Raised Center Panel Standard rails and stiles	2 1/2" to 4 15/16" high Slab	5" to 5 11/16" high Recessed Center Panel Reduced rails (1 7/16") Standard stiles	5 3/4" to 7 9/16" high Raised Center Panel Reduced rails (1 7/16") Standard stiles	7 3/8" to 23 7/8" high Raised Center Panel Standard rails and stiles

- Dimensions are for actual door widths and drawer heights. For cabinet size, add 1/8" to door or drawer dimension.

### Doors Prepared for Glass

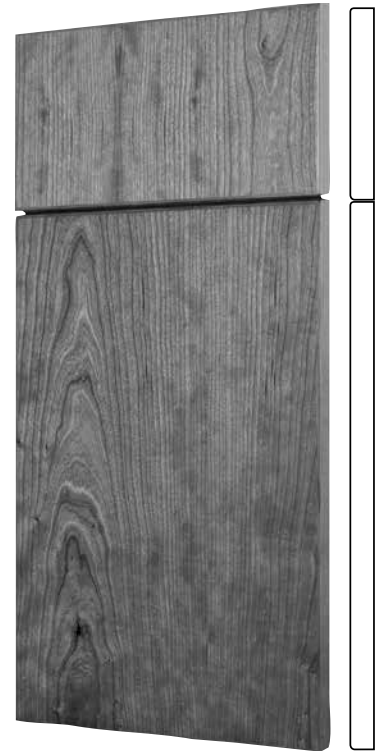
					<ul style="list-style-type: none"> <li>• Doors prepared for glass do not include glass. Order glass on page 9.11-9.12.</li> <li>• Mullion-style doors are not available on cabinets less than 12" wide.</li> <li>• Prairie-style doors are not available on cabinets less than 15" wide.</li> <li>• X Lite style: minimum door width and height 14 7/8", maximum door width 23 7/8" on doors with rail/stile dimensions less than 3". For doors with rails/stiles over 3", add 1" to minimum width and height. Doors exceeding 42" high will have double X's.</li> <li>• Double Arch style: minimum door width and height 14 7/8", maximum door width 23 7/8" on door with rails/stiles less than 3". For doors with rails/stiles 3" and over, add 3" to minimum height and width.</li> </ul>
--	--	--	--	--	---

# Door Styles : Wood

## Richmond II



3/4"-thick, slab with eased edges. Vertical-grain veneer with 3mm solid wood edgebanding on all edges. Slab drawer front.

- Not available with Paint. See Apex door on page 2.18.
- Wood Dovetail Drawer in Birch is standard; Wood Dovetail Drawer in Walnut is an upgrade.
- Profiled Oven Panels and Microwave Oven Panels are 3/4"-thick Wood Veneer with the following outside edge profile:

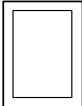


Species Availability and Price Grade							
Oak	Maple	Cherry	Rustic Cherry	Alder	Rustic Alder	Red Birch	Walnut
5	6	7	N/A	N/A	N/A	N/A	7

Program Summary				
Door Back	Standard Cabinet Interior & Exterior	Standard Exposed Interior	Face Front Edgebanding	Specified Finished Ends
Stained Wood Veneer	Neutral Woodgrain Melamine	Stained Wood Veneer	Coordinated PVC	Stained Wood Veneer with Coordinated PVC Edgebanding

Door / Drawer Construction	
Door Construction	Drawer Construction
 23 <sup>7</sup> / <sub>8</sub> " and narrower Slab	 3 <sup>1</sup> / <sub>2</sub> " to 23 <sup>7</sup> / <sub>8</sub> " high Slab

• Dimensions are for actual door widths and drawer heights. For cabinet size, add 1/8" to door or drawer dimension.

Doors Prepared for Glass	
 FRAME	<ul style="list-style-type: none"> <li>• Use Shaker door</li> <li>• Doors prepared for glass do not include glass. Order glass on page 9.11-9.12.</li> </ul>

# Door Styles : Wood

## Ridgecrest

3/4"-thick, mortise-and-tenon frame with eased edges. Veneer, recessed center panel. 2<sup>5</sup>/<sub>16</sub>" wide rails and stiles. Slab drawer front with horizontal grain standard.

- Veneer center panel cannot be Rubbed.
- Doors 26" wide and over and doors 48" high and over will have double insert panels for stability.
- Glazing will not show due to lack of profile, however overall tone of stains and paint colors will change.
- Painted door (without distressing packages) will have MDF center panel
- Profiled Oven and Microwave Oven Panels are 3/4"-thick with the following outside edge profile:



Shown with Standard Drawer Front

Shown with optional  
5-Piece Matching Drawer Front  
\$89.00 List Each

### Species Availability and Price Grade

Oak	Maple	MDF	Cherry	Rustic Cherry	Alder	Rustic Alder	Red Birch	Walnut
4	5	N/A	6	N/A	6	N/A	6	N/A

### Program Summary

Door Back	Standard Cabinet Interior & Exterior	Standard Exposed Interior	Face Front Edgebanding	Specified Finished Ends
Painted or Stained Not Aged, Rubbed or Worn	Neutral Woodgrain Melamine	Painted or Stained Wood Veneer	Coordinated PVC	Painted or Stained Wood Veneer with Coordinated PVC Edgebanding

### Door / Drawer Construction

Door Construction	Drawer Construction
<p>6<sup>15</sup>/<sub>16</sub>" and narrower Slab</p> <p>7" to 23<sup>7</sup>/<sub>8</sub>" wide Recessed Center Panel Standard rails and stiles</p>	<p>2<sup>1</sup>/<sub>2</sub>" to 5<sup>11</sup>/<sub>16</sub>" high Slab</p> <p>5<sup>3</sup>/<sub>4</sub>" to 7<sup>5</sup>/<sub>16</sub>" high Recessed Center Panel Reduced rails (1<sup>1</sup>/<sub>2</sub>") Standard stiles</p> <p>7<sup>3</sup>/<sub>8</sub>" to 23<sup>7</sup>/<sub>8</sub>" high Recessed Center Panel Standard rails Standard stiles</p>

• Dimensions are for actual door widths and drawer heights. For cabinet size, add 1/8" to door or drawer dimension.

### Doors Prepared for Glass

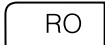
<p>FRAME</p>	<p>MULLION</p>	<p>PRAIRIE</p>	<p>QUARTER ROUND</p>	<p>X LITE</p>	<p>DOUBLE ARCH</p>	<ul style="list-style-type: none"> <li>• Doors prepared for glass do not include glass. Order glass on page 9.11-9.12.</li> <li>• Mullion-style doors are not available on cabinets less than 12" wide.</li> <li>• Prairie-style doors are not available on cabinets less than 15" wide.</li> <li>• Quarter Round-style doors have size limits. Call Customer Service.</li> <li>• X Lite style: minimum door width and height 14<sup>7</sup>/<sub>8</sub>", maximum door width 23<sup>7</sup>/<sub>8</sub>" on doors with rail/stile dimensions less than 3". For doors with rails/stiles over 3", add 1" to minimum width and height. Doors exceeding 42" high will have double X's.</li> <li>• Double Arch style: minimum door width and height 14<sup>7</sup>/<sub>8</sub>", maximum door width 23<sup>7</sup>/<sub>8</sub>" on door with rails/stiles less than 3". For doors with rails/stiles 3" and over, add 3" to minimum height and width.</li> </ul>
--------------	----------------	----------------	----------------------	---------------	--------------------	---

# Door Styles : Wood

## Rockford

3/4"-thick, mortise-and-tenon frame with eased outside edge and beaded inside edge detail. Wood veneer, recessed center panel with 2 5/16" wide rails and stiles.

- Doors 26" wide and over will have double insert panels for stability.
- Doors 48" high and over will have double insert panels for stability.
- Painted door (without distressing packages) will have MDF center panel
- Profiled Oven Panels and Microwave Oven Panels are 3/4"-thick Wood with the following outside edge profile:



Shown with Standard Drawer Front

Shown with optional  
5-Piece Matching Drawer Front  
\$89.00 List Each

Species Availability and Price Grade							
Oak	Maple	Cherry	Rustic Cherry	Alder	Rustic Alder	Red Birch	Walnut
4	5	6	N/A	6	N/A	6	N/A

Program Summary				
Door Back	Standard Cabinet Interior & Exterior	Standard Exposed Interior	Face Front Edgebanding	Specified Finished Ends
Painted or Stained Not Aged, Rubbed or Worn	Neutral Woodgrain Melamine	Painted or Stained Wood Veneer	Coordinated PVC	Painted or Stained Wood Veneer with Coordinated PVC Edgebanding

Door / Drawer Construction	
Door Construction	Drawer Construction
<p>6<sup>15</sup>/<sub>16</sub>" and narrower Slab</p> <p>7" to 23<sup>15</sup>/<sub>16</sub>" wide Recessed Center Panel Standard rails and stiles</p>	<p>2<sup>1</sup>/<sub>2</sub>" to 5<sup>11</sup>/<sub>16</sub>" high Slab</p> <p>5<sup>3</sup>/<sub>4</sub>" to 7<sup>5</sup>/<sub>16</sub>" high Recessed Center Panel Reduced rails (1<sup>1</sup>/<sub>2</sub>") Standard stiles</p> <p>7<sup>3</sup>/<sub>8</sub>" to 23<sup>7</sup>/<sub>8</sub>" high Recessed Center Panel Standard rails and stiles</p>

• Dimensions are for actual door widths and drawer heights. For cabinet size, add 1/8" to door or drawer dimension.

Doors Prepared for Glass					
FRAME	MULLION	PRAIRIE	QUARTER ROUND	X LITE	DOUBLE ARCH
<ul style="list-style-type: none"> <li>• Doors prepared for glass do not include glass. Order glass on page 9.11-9.12.</li> <li>• Mullion-style doors are not available on cabinets less than 12" wide.</li> <li>• Prairie-style doors are not available on cabinets less than 15" wide.</li> <li>• Quarter Round-style doors have size limits. Call Customer Service.</li> <li>• X Lite style: minimum door width and height 14<sup>7</sup>/<sub>8</sub>", maximum door width 23<sup>7</sup>/<sub>8</sub>" on doors with rail/stile dimensions less than 3". For doors with rails/stiles over 3", add 1" to minimum width and height. Doors exceeding 42" high will have double X's.</li> <li>• Double Arch style: minimum door width and height 14<sup>7</sup>/<sub>8</sub>", maximum door width 23<sup>7</sup>/<sub>8</sub>" on door with rails/stiles less than 3". For doors with rails/stiles 3" and over, add 3" to minimum height and width.</li> </ul>					

# Door Styles : Wood

## Royalton

3/4"-thick, mortise-and-tenon frame with elongated ogee outside profile and modified bead inside edge. Solid wood, step-and-cove raised center panel with 3 1/2" wide rails and stiles.

- Doors 26" wide and over will have double insert panels for stability.
- Doors 48" high and over will have double insert panels for stability.
- Overlay Fillers not available Fluted for this door style. Minimum Filler width is 2 1/2".
- Painted door (without distressing packages) will have MDF center panel
- Profiled Oven Panels and Microwave Oven Panels are 3/4"-thick Wood with the following outside edge profile:



Shown with Standard Drawer Front

Shown with optional 5-Piece Matching Drawer Front  
\$89.00 List Each

### Species Availability and Price Grade

Oak	Maple	Cherry	Rustic Cherry	Alder	Rustic Alder	Red Birch	Walnut
5	6	7	6	7	6	7	N/A

### Program Summary

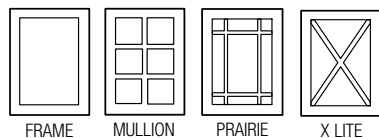
Door Back	Standard Cabinet Interior & Exterior	Standard Exposed Interior	Face Front Edgebanding	Specified Finished Ends
Painted or Stained Not Aged, Rubbed or Worn	Neutral Woodgrain Melamine	Painted or Stained Wood Veneer	Coordinated PVC	Painted or Stained Wood Veneer with Coordinated PVC Edgebanding

### Door / Drawer Construction

Door Construction				Drawer Construction		
27/8" to 615/16" wide Slab	7" to 711/16" wide Recessed Center Panel Standard rails Reduced stiles (25/16")	73/4" to 101/16" wide Raised Center Panel Standard rails Reduced stiles (25/16")	101/8" to 237/8" wide Raised Center Panel Standard rails and stiles	27/8" to 61/16" high Slab	61/8" to 711/16" high Recessed Center Panel Reduced rails (25/16") Standard stiles	73/4" to 101/16" high Raised Center Panel Reduced rails (25/16") Standard stiles

• Dimensions are for actual door widths and drawer heights. For cabinet size, add 1/8" to door or drawer dimension.

### Doors Prepared for Glass



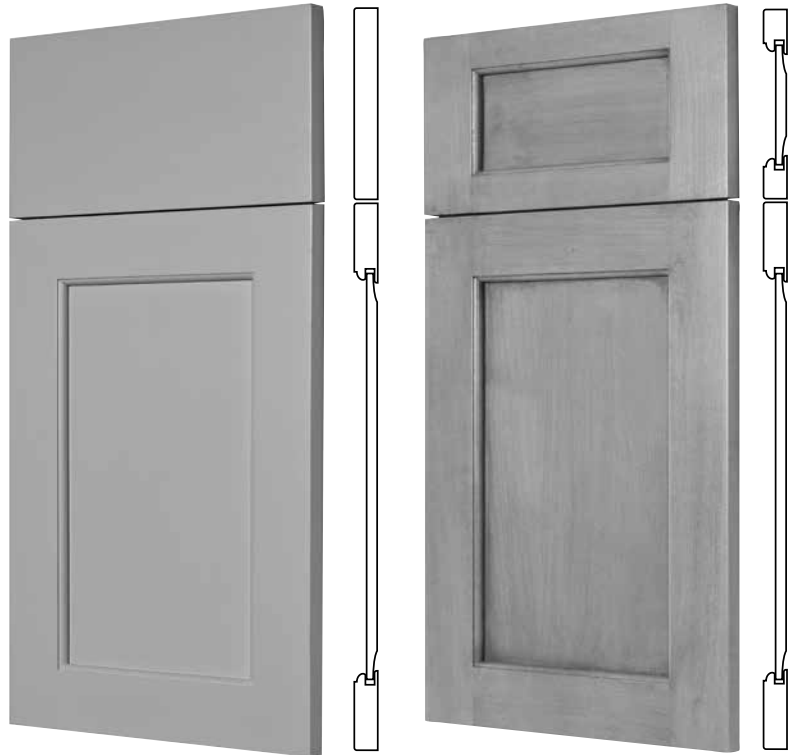
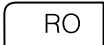
- Doors prepared for glass do not include glass. Order glass on page 9.11-9.12.
- Mullion-style doors are not available on cabinets less than 12" wide.
- Prairie-style doors are not available on cabinets less than 15" wide.
- X Lite style: minimum door width and height 147/8", maximum door width 237/8" on doors with rail/stile dimensions less than 3". For doors with rails/stiles over 3", add 1" to minimum width and height. Doors exceeding 42" high will have double X's.

# Door Styles : Wood

## Sagamore

3/4"-thick, mortise-and-tenon frame with eased outside edge and beaded inside edge detail. Solid wood, recessed center panel with 2 5/16" wide rails and stiles.

- Doors 26" wide and over will have double insert panels for stability.
- Doors 48" high and over will have double insert panels for stability.
- Painted door (without distressing packages) will have MDF center panel
- Profiled Oven Panels and Microwave Oven Panels are 3/4"-thick Wood with the following outside edge profile:



Shown with Standard Drawer Front

Shown with optional  
5-Piece Matching Drawer Front  
\$89.00 List Each

### Species Availability and Price Grade

Oak	Maple	Cherry	Rustic Cherry	Alder	Rustic Alder	Red Birch	Walnut
5	6	7	6	7	6	7	N/A

### Program Summary

Door Back	Standard Cabinet Interior & Exterior	Standard Exposed Interior	Face Front Edgebanding	Specified Finished Ends
Painted or Stained Not Aged, Rubbed or Worn	Neutral Woodgrain Melamine	Painted or Stained Wood Veneer	Coordinated PVC	Painted or Stained Wood Veneer with Coordinated PVC Edgebanding

### Door / Drawer Construction

Door Construction	Drawer Construction
<p>6<sup>15</sup>/<sub>16</sub>" and narrower Slab</p> <p>7" to 23<sup>7</sup>/<sub>8</sub>" wide Recessed Center Panel Standard rails and stiles</p>	<p>2<sup>1</sup>/<sub>2</sub>" to 5<sup>11</sup>/<sub>16</sub>" high Slab</p> <p>5<sup>3</sup>/<sub>4</sub>" to 7<sup>5</sup>/<sub>16</sub>" high Recessed Center Panel Reduced rails (1<sup>1</sup>/<sub>2</sub>") Standard stiles</p> <p>7<sup>3</sup>/<sub>8</sub>" to 23<sup>7</sup>/<sub>8</sub>" high Recessed Center Panel Standard rails and stiles</p>

• Dimensions are for actual door widths and drawer heights. For cabinet size, add 1/8" to door or drawer dimension.

### Doors Prepared for Glass

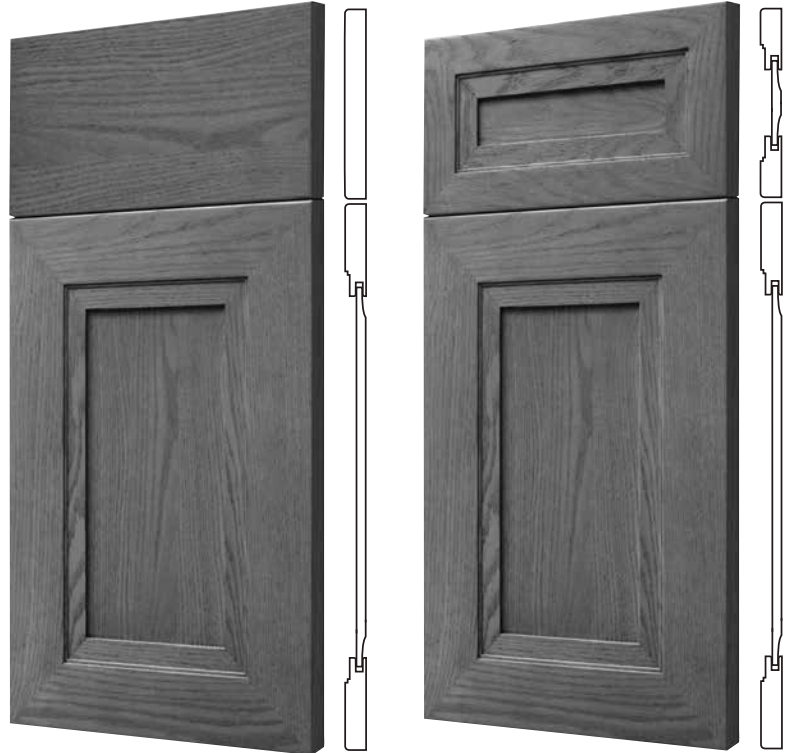
						<ul style="list-style-type: none"> <li>• Doors prepared for glass do not include glass. Order glass on page 9.11-9.12.</li> <li>• Mullion-style doors are not available on cabinets less than 12" wide.</li> <li>• Prairie-style doors are not available on cabinets less than 15" wide.</li> <li>• Quarter Round-style doors have size limits. Call Customer Service.</li> <li>• X Lite style: minimum door width and height 14<sup>7</sup>/<sub>8</sub>", maximum door width 23<sup>7</sup>/<sub>8</sub>" on doors with rail/stile dimensions less than 3". For doors with rails/stiles over 3", add 1" to minimum width and height. Doors exceeding 42" high will have double X's.</li> <li>• Double Arch style: minimum door width and height 14<sup>7</sup>/<sub>8</sub>", maximum door width 23<sup>7</sup>/<sub>8</sub>" on door with rails/stiles less than 3". For doors with rails/stiles 3" and over, add 3" to minimum height and width.</li> </ul>
FRAME	MULLION	PRAIRIE	QUARTER ROUND	X LITE	DOUBLE ARCH	

# Door Styles : Wood

## Sarasota

3/4"-thick, mitered frame with eased outside edge and flat stepped inside edge. Solid wood, recessed center panel with 3 1/4" wide rails and stiles (including inside edge detail).

- Mitered frame door styles are not recommended for use in areas with high humidity.
- Painted door (without distressing packages) will have MDF center panel
- Profiled Oven Panels and Microwave Oven Panels are 3/4"-thick Wood with the following outside edge profile:



Shown with Standard Drawer Front

Shown with optional  
5-Piece Matching Drawer Front  
\$89.00 List Each

Species Availability and Price Grade							
Oak	Maple	Cherry	Rustic Cherry	Alder	Rustic Alder	Red Birch	Walnut
6	7	8	7	8	7	8	N/A

Program Summary				
Door Back	Standard Cabinet Interior & Exterior	Standard Exposed Interior	Face Front Edgebanding	Specified Finished Ends
Painted or Stained Not Aged, Rubbed or Worn	Neutral Woodgrain Melamine	Painted or Stained Wood Veneer	Coordinated PVC	Painted or Stained Wood Veneer with Coordinated PVC Edgebanding

Door / Drawer Construction					
Door Construction			Drawer Construction		
2 7/8" to 5 9/16" wide Slab	5 5/8" to 8 13/16" wide Recessed Center Panel Reduced rails and stiles (2 5/16")	8 7/8" to 23 7/8" wide Recessed Center Panel Standard rails and stiles	2 7/8" to 6 1/16" high Slab	6 1/8" to 8 5/8" high Reduced rails and stiles (2 5/16")	8 11/16" to 23 7/8" high Standard rails and stiles

• Dimensions are for actual door widths and drawer heights. For cabinet size, add 1/8" to door or drawer dimension.

Doors Prepared for Glass				
				<ul style="list-style-type: none"> <li>• Doors prepared for glass do not include glass. Order glass on page 9.11-9.12.</li> <li>• Mullion-style doors are not available on cabinets less than 12" wide.</li> <li>• Prairie-style doors are not available on cabinets less than 15" wide.</li> <li>• X Lite style: minimum door width and height 14 7/8", maximum door width 23 7/8" on doors with rail/stile dimensions less than 3". For doors with rails/stiles over 3", add 1" to minimum width and height. Doors exceeding 42" high will have double X's.</li> </ul>
FRAME	MULLION	PRAIRIE	X LITE	

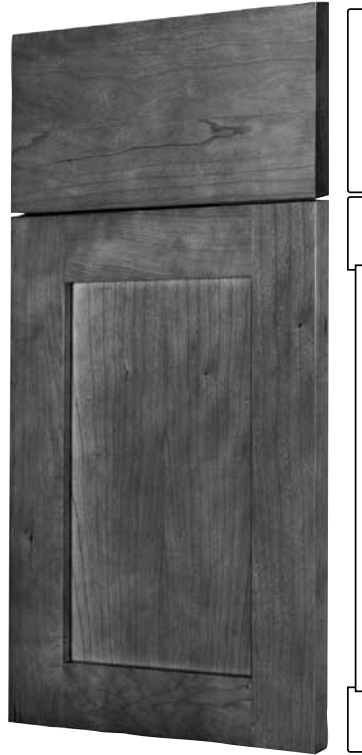


# Door Styles : Wood

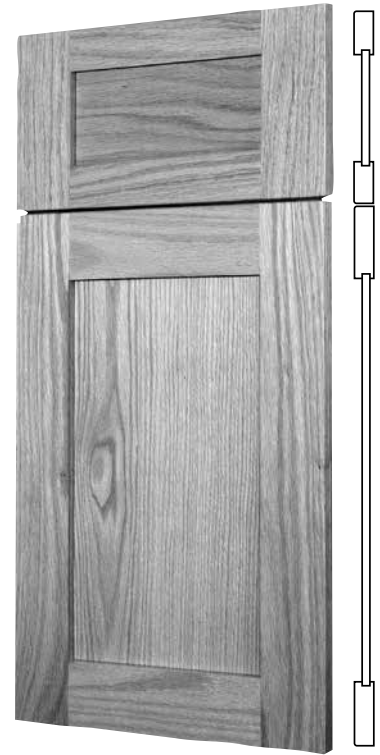
## Shaker

3/4"-thick, mortise-and-tenon frame with eased edges. Veneer, recessed center panel. 2<sup>5</sup>/<sub>16</sub>" wide rails and stiles. Slab drawer front with horizontal grain standard.

- Construction options:
  - **All Wood** for stain, add finish upcharges, distressing not available
  - **Maple with MDF center panel** for paint/distressing, add finish upcharges; center panel cannot be Rubbed
  - **All MDF** for paint, no paint upcharge; distressing not available.
- Refer to pages 2.11-2.14 for Specialty Finish options.
- Glazing will not show due to lack of profile, however overall tone of stains and paint colors will change.
- Doors 26" wide and over and doors 48" high and over will have double insert panels for stability.
- Wood Dovetail Drawer in Birch is standard; Wood Dovetail Drawer in Walnut is an upgrade.
- Profiled Oven and Microwave Oven Panels (not available in MDF) are 3/4"-thick with the following outside edge profile:



Shown with Standard Drawer Front



Shown with optional 5-Piece Matching Drawer Front  
\$89.00 List Each

Species Availability and Price Grade								
Oak	Maple	MDF	Cherry	Rustic Cherry	Alder	Rustic Alder	Red Birch	Walnut
3	4	4	5	N/A	5	N/A	5	7

Program Summary				
Door Back	Standard Cabinet Interior & Exterior	Standard Exposed Interior	Face Front Edgebanding	Specified Finished Ends
Painted or Stained Not Aged, Rubbed or Worn	Neutral Woodgrain Melamine	Painted or Stained Wood Veneer	Coordinated PVC	Painted or Stained Wood Veneer with Coordinated PVC Edgebanding

Door Construction		Drawer Construction	
<p>6<sup>15</sup>/<sub>16</sub>" and narrower Slab</p>	<p>7" to 23<sup>7</sup>/<sub>8</sub>" wide Recessed Center Panel Standard rails and stiles</p>	<p>2<sup>1</sup>/<sub>2</sub>" to 5<sup>11</sup>/<sub>16</sub>" high Slab</p>	<p>5<sup>3</sup>/<sub>4</sub>" to 7<sup>5</sup>/<sub>16</sub>" high Recessed Center Panel Reduced rails (1<sup>1</sup>/<sub>2</sub>") Standard stiles</p>
			<p>7<sup>3</sup>/<sub>8</sub>" to 23<sup>7</sup>/<sub>8</sub>" high Recessed Center Panel Standard rails Standard stiles</p>

• Dimensions are for actual door widths and drawer heights. For cabinet size, add 1/8" to door or drawer dimension.

Doors Prepared for Glass					
FRAME	MULLION	PRAIRIE	QUARTER ROUND	X LITE	DOUBLE ARCH

- Doors prepared for glass do not include glass. Order glass on page 9.11-9.12.
- Mullion-style doors are not available on cabinets less than 12" wide.
- Prairie-style doors are not available on cabinets less than 15" wide.
- Quarter Round-style doors have size limits. Call Customer Service.
- X Lite style: minimum door width and height 14<sup>7</sup>/<sub>8</sub>", maximum door width 23<sup>7</sup>/<sub>8</sub>" on doors with rail/stile dimensions less than 3". For doors with rails/stiles over 3", add 1" to minimum width and height. Doors exceeding 42" high will have double X's.
- Double Arch style: minimum door width and height 14<sup>7</sup>/<sub>8</sub>", maximum door width 23<sup>7</sup>/<sub>8</sub>" on door with rails/stiles less than 3". For doors with rails/stiles 3" and over, add 3" to minimum height and width.

# Door Styles : Wood

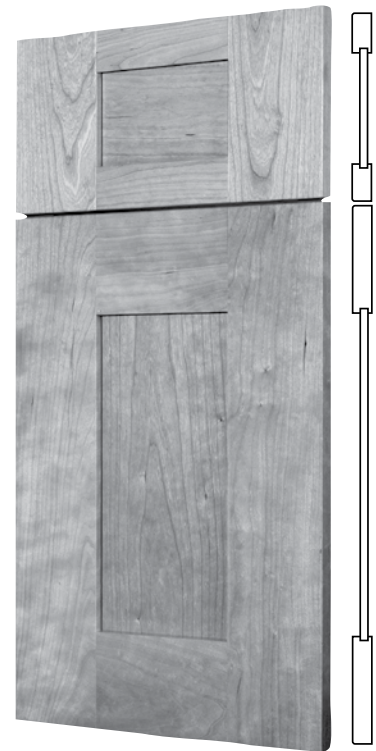
## Shaker Wide

3/4"-thick, mortise-and-tenon frame with eased edges, and 3 1/2" wide rails and stiles. Veneer, recessed center panel. Slab drawer front standard.

- Construction options:
  - **All Wood** for stain, add finish upcharges, distressing not available
  - **Maple with MDF center panel** for paint/distressing, add finish upcharges; center panel cannot be Rubbed
  - **All MDF** for paint, no paint upcharge; distressing not available.
- Refer to pages 2.11-2.14 for Specialty Finish options.
- Glazing will not show due to lack of profile, however overall tone of stains and paint colors will change.
- Doors 26" wide and over and doors 48" high and over will have double insert panels for stability.
- Profiled Oven and Microwave Oven Panels (not available in MDF) are 3/4"-thick with the following outside edge profile:



Shown with Standard Drawer Front



Shown with optional 5-Piece Matching Drawer Front  
\$89.00 List Each

### Species Availability and Price Grade

Oak	Maple	MDF	Cherry	Rustic Cherry	Alder	Rustic Alder	Red Birch	Walnut
4	5	5	6	N/A	6	N/A	6	N/A

### Program Summary

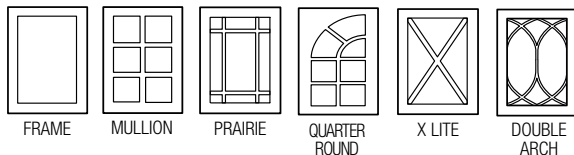
Door Back	Standard Cabinet Interior & Exterior	Standard Exposed Interior	Face Front Edgebanding	Specified Finished Ends
Painted or Stained Not Aged, Rubbed or Worn	Neutral Woodgrain Melamine	Painted or Stained Wood Veneer	Coordinated PVC	Painted or Stained Wood Veneer with Coordinated PVC Edgebanding

### Door / Drawer Construction

Door Construction			Drawer Construction		
6 15/16" and narrower Slab	7" to 9 5/16" wide Recessed Center Panel Standard rails Reduced stiles (2 5/16")	9 3/8" to 23 7/8" wide Recessed Center Panel Standard rails and stiles	2 7/8" to 5 11/16" high Slab	5 3/4" to 9 11/16" high Recessed Center Panel Reduced rails (1 1/2") Standard stiles	9 3/4" to 23 7/8" high Recessed Center Panel Standard rails Standard stiles

- Dimensions are for actual door widths and drawer heights. For cabinet size, add 1/8" to door or drawer dimension.

### Doors Prepared for Glass



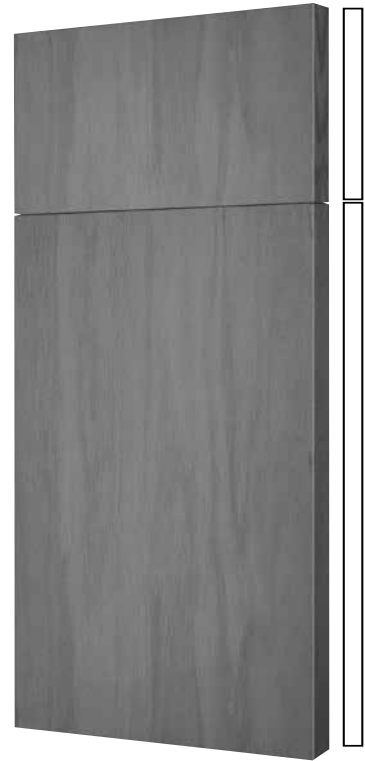
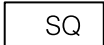
- Doors prepared for glass do not include glass. Order glass on page 9.11-9.12.
- Mullion-style doors are not available on cabinets less than 12" wide.
- Prairie-style doors are not available on cabinets less than 15" wide.
- Quarter Round-style doors have size limits. Call Customer Service.
- X Lite style: minimum door width and height 14 7/8", maximum door width 23 7/8" on doors with rail/stile dimensions less than 3". For doors with rails/stiles over 3", add 1" to minimum width and height. Doors exceeding 42" high will have double X's.
- Double Arch style: minimum door width and height 14 7/8", maximum door width 23 7/8" on door with rails/stiles less than 3". For doors with rails/stiles 3" and over, add 3" to minimum height and width.

# Door Styles : Wood

## Slab

3/4"-thick slab with square edges. Vertical-grain veneer with veneer edgebanding on all edges. Slab drawer front with vertical grain.

- Not available with Paint. See Apex door on page 2.18.
- Available in veneer only.
- Oak, Maple and Cherry are not available in horizontal grain direction.
- Profiled Oven Panels and Microwave Oven Panels are 3/4"-thick Wood Veneer with the following outside edge profile:



Species Availability and Price Grade							
Oak	Maple	Cherry	Rustic Cherry	Alder	Rustic Alder	Red Birch	Walnut
2	3	4	N/A	N/A	N/A	N/A	N/A

Program Summary				
Door Back	Standard Cabinet Interior & Exterior	Standard Exposed Interior	Face Front Edgebanding	Specified Finished Ends
Stained Wood Veneer Not Aged, Rubbed or Worn	Neutral Woodgrain Melamine	Stained Wood Veneer	Coordinated PVC	Stained Wood Veneer with Coordinated PVC Edgebanding

Door / Drawer Construction	
Door Construction	Drawer Construction
 237/8" and narrower Slab	 31/2" to 237/8" high Slab

Doors Prepared for Glass	
 FRAME	<ul style="list-style-type: none"> <li>• Doors prepared for glass do not include glass. Order glass on page 9.11-9.12.</li> <li>• Uses Shaker door style construction</li> </ul>

- Dimensions are for actual door widths and drawer heights. For cabinet size, add 1/8" to door or drawer dimension.

# Door Styles : Wood

## Stickley

3/4"-thick, mortise-and-tenon frame with eased edges. Solid wood, recessed center panel. 2<sup>5</sup>/<sub>16</sub>" wide rails and stiles.

- Doors 26" wide and over will have double insert panels for stability.
- Doors 48" high and over will have double insert panels for stability.
- Glazing will not show due to lack of profile, however overall tone of base stains and Paint colors will change.
- Heritage finishes are not recommended on this door style. A door sample is recommended.
- Painted door (without distressing packages) will have MDF center panel
- Profiled Oven Panels and Microwave Oven Panels are 3/4"-thick Wood with the following outside edge profile:



Shown with Standard Drawer Front



Shown with optional 5-Piece Matching Drawer Front  
\$89.00 List Each


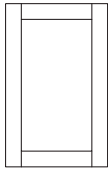
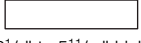
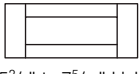
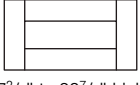
### Species Availability and Price Grade

Oak	Maple	Cherry	Rustic Cherry	Alder	Rustic Alder	Red Birch	Walnut
5	6	7	6	7	6	7	N/A

### Program Summary

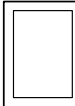
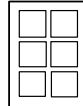
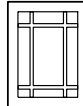
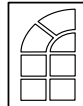
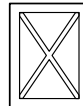
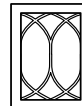
Door Back	Standard Cabinet Interior & Exterior	Standard Exposed Interior	Face Front Edgebanding	Specified Finished Ends
Painted or Stained Not Aged, Rubbed or Worn	Neutral Woodgrain Melamine	Painted or Stained Wood Veneer	Coordinated PVC	Painted or Stained Wood Veneer with Coordinated PVC Edgebanding

### Door / Drawer Construction

Door Construction	Drawer Construction
 <p>6<sup>15</sup>/<sub>16</sub>" and narrower Slab</p>  <p>7" to 23<sup>7</sup>/<sub>8</sub>" wide Recessed Center Panel Standard rails and stiles</p>	 <p>2<sup>1</sup>/<sub>2</sub>" to 5<sup>11</sup>/<sub>16</sub>" high Slab</p>  <p>5<sup>3</sup>/<sub>4</sub>" to 7<sup>5</sup>/<sub>16</sub>" high Recessed Center Panel Reduced rails (1<sup>1</sup>/<sub>2</sub>") Standard stiles</p>  <p>7<sup>3</sup>/<sub>8</sub>" to 23<sup>7</sup>/<sub>8</sub>" high Recessed Center Panel Standard rails Standard stiles</p>

• Dimensions are for actual door widths and drawer heights. For cabinet size, add 1/8" to door or drawer dimension.

### Doors Prepared for Glass

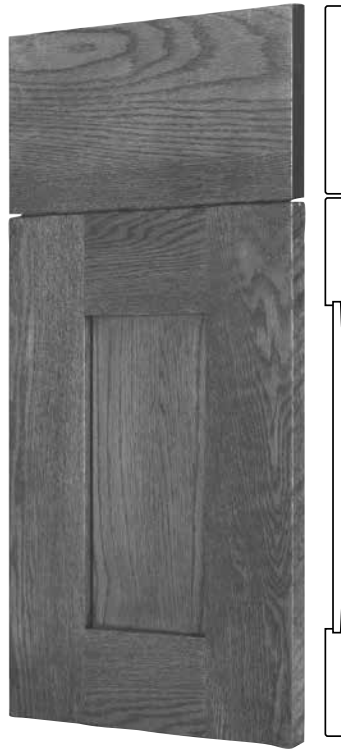
 FRAME	 MULLION	 PRAIRIE	 QUARTER ROUND	 X LITE	 DOUBLE ARCH	<ul style="list-style-type: none"> <li>• Doors prepared for glass do not include glass. Order glass on page 9.11-9.12.</li> <li>• Mullion-style doors are not available on cabinets less than 12" wide.</li> <li>• Prairie-style doors are not available on cabinets less than 15" wide.</li> <li>• Quarter Round-style doors have size limits. Call Customer Service.</li> <li>• X Lite style: minimum door width and height 14<sup>7</sup>/<sub>8</sub>", maximum door width 23<sup>7</sup>/<sub>8</sub>" on doors with rail/stile dimensions less than 3". For doors with rails/stiles over 3", add 1" to minimum width and height. Doors exceeding 42" high will have double X's.</li> <li>• Double Arch style: minimum door width and height 14<sup>7</sup>/<sub>8</sub>", maximum door width 23<sup>7</sup>/<sub>8</sub>" on door with rails/stiles less than 3". For doors with rails/stiles 3" and over, add 3" to minimum height and width.</li> </ul>
--	--	--	--	---	--	---

# Door Styles : Wood

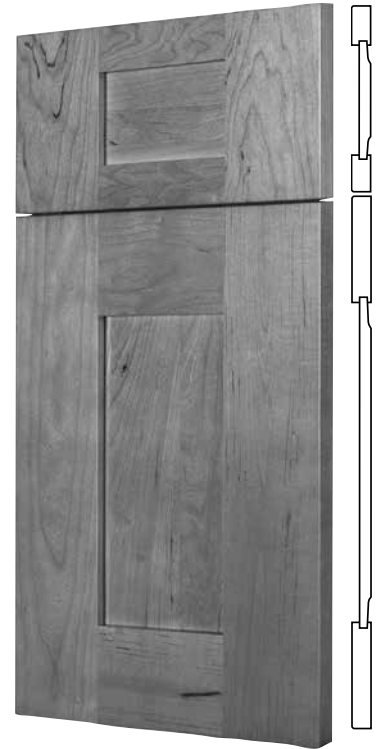
## Stickley Wide

3/4"-thick, mortise-and-tenon frame with eased edges, and 3 1/2" wide rails and stiles. Solid wood, recessed center panel.

- Doors 26" wide and over will have double insert panels for stability.
- Doors 48" high and over will have double insert panels for stability.
- Glazing will not show due to lack of profile, however overall tone of base stains and Paint colors will change.
- Heritage finishes are not recommended on this door style. A door sample is recommended.
- Painted door (without distressing packages) will have MDF center panel
- Profiled Oven Panels and Microwave Oven Panels are 3/4"-thick Wood with the following outside edge profile:



Shown with Standard Drawer Front



Shown with optional  
5-Piece Matching Drawer Front  
\$89.00 List Each

### Species Availability and Price Grade

Oak	Maple	Cherry	Rustic Cherry	Alder	Rustic Alder	Red Birch	Walnut
5	6	7	6	7	6	7	N/A

### Program Summary

Door Back	Standard Cabinet Interior & Exterior	Standard Exposed Interior	Face Front Edgebanding	Specified Finished Ends
Painted or Stained Not Aged, Rubbed or Worn	Neutral Woodgrain Melamine	Painted or Stained Wood Veneer	Coordinated PVC	Painted or Stained Wood Veneer with Coordinated PVC Edgebanding

### Door / Drawer Construction

Door Construction			Drawer Construction		
6 <sup>15</sup> / <sub>16</sub> " and narrower Slab	7" to 9 <sup>5</sup> / <sub>16</sub> " wide Recessed Center Panel Standard rails Reduced stiles (2 <sup>5</sup> / <sub>16</sub> ")	9 <sup>3</sup> / <sub>8</sub> " to 23 <sup>7</sup> / <sub>8</sub> " wide Recessed Center Panel Standard rails and stiles	2 <sup>7</sup> / <sub>8</sub> " to 5 <sup>11</sup> / <sub>16</sub> " high Slab	5 <sup>3</sup> / <sub>4</sub> " to 9 <sup>11</sup> / <sub>16</sub> " high Recessed Center Panel Reduced rails (1 <sup>1</sup> / <sub>2</sub> ") Standard stiles	9 <sup>3</sup> / <sub>4</sub> " to 23 <sup>7</sup> / <sub>8</sub> " high Recessed Center Panel Standard rails Standard stiles

- Dimensions are for actual door widths and drawer heights. For cabinet size, add 1/8" to door or drawer dimension.

### Doors Prepared for Glass

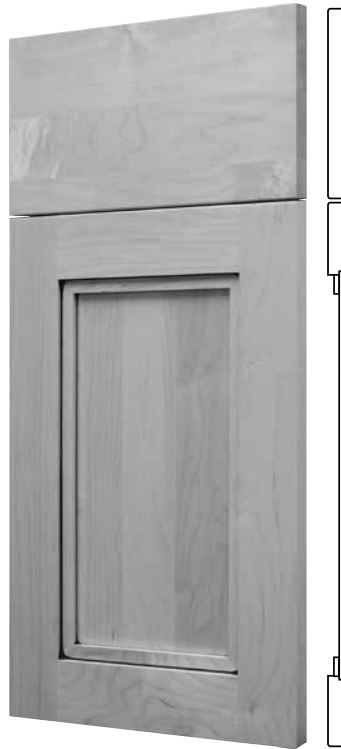
						<ul style="list-style-type: none"> <li>• Doors prepared for glass do not include glass. Order glass on page 9.11-9.12.</li> <li>• Mullion-style doors are not available on cabinets less than 12" wide.</li> <li>• Prairie-style doors are not available on cabinets less than 15" wide.</li> <li>• Quarter Round-style doors have size limits. Call Customer Service.</li> <li>• X Lite style: minimum door width and height 14<sup>7</sup>/<sub>8</sub>", maximum door width 23<sup>7</sup>/<sub>8</sub>" on doors with rail/stile dimensions less than 3". For doors with rails/stiles over 3", add 1" to minimum width and height. Doors exceeding 42" high will have double X's.</li> <li>• Double Arch style: minimum door width and height 14<sup>7</sup>/<sub>8</sub>", maximum door width 23<sup>7</sup>/<sub>8</sub>" on door with rails/stiles less than 3". For doors with rails/stiles 3" and over, add 3" to minimum height and width.</li> </ul>
FRAME	MULLION	PRAIRIE	QUARTER ROUND	X LITE	DOUBLE ARCH	

# Door Styles : Wood

## Wicker Park

3/4"-thick, mortise-and-tenon frame with eased outside edges and single step inside moulding. 2<sup>3</sup>/<sub>4</sub>" wide rails and stiles, including step. Solid Wood, reverse-raised, center panel.

- Doors 26" wide and over will have double insert panels for stability.
- Doors 48" high and over will have double insert panels for stability.
- Outside edge profile will not hold glazing.
- Painted door (without distressing packages) will have MDF center panel
- Profiled Oven Panels and Microwave Oven Panels are 3/4"-thick Wood with the following outside edge profile:



Shown with Standard Drawer Front



Shown with optional 5-Piece Matching Drawer Front  
\$89.00 List Each

Species Availability and Price Grade							
Oak	Maple	Cherry	Rustic Cherry	Alder	Rustic Alder	Red Birch	Walnut
5	6	7	6	7	6	7	N/A

Program Summary				
Door Back	Standard Cabinet Interior & Exterior	Standard Exposed Interior	Face Front Edgebanding	Specified Finished Ends
Painted or Stained <small>Not Aged, Rubbed or Worn</small>	Neutral Woodgrain Melamine	Painted or Stained Wood Veneer	Coordinated PVC	Painted or Stained Wood Veneer <small>with Coordinated PVC Edgebanding</small>

Door / Drawer Construction					
Door Construction			Drawer Construction		
2 <sup>7</sup> / <sub>8</sub> " to 7 <sup>13</sup> / <sub>16</sub> " wide Slab	7 <sup>7</sup> / <sub>8</sub> " to 8 <sup>13</sup> / <sub>16</sub> " wide Recessed Center Panel Standard rails and stiles	8 <sup>7</sup> / <sub>8</sub> " to 23 <sup>7</sup> / <sub>8</sub> " wide Recessed Center Panel Standard rails and stiles	2 <sup>7</sup> / <sub>8</sub> " to 5 <sup>1</sup> / <sub>16</sub> " high Slab	5 <sup>1</sup> / <sub>8</sub> " to 7 <sup>1</sup> / <sub>2</sub> " high Recessed Center Panel Reduced rails (1 <sup>1</sup> / <sub>2</sub> ") Standard stiles	7 <sup>9</sup> / <sub>16</sub> " to 23 <sup>7</sup> / <sub>8</sub> " high Recessed Center Panel Standard rails and stiles

• Dimensions are for actual door widths and drawer heights. For cabinet size, add 1/8" to door or drawer dimension.

Doors Prepared for Glass					
FRAME	MULLION	PRAIRIE	QUARTER ROUND	X LITE	DOUBLE ARCH

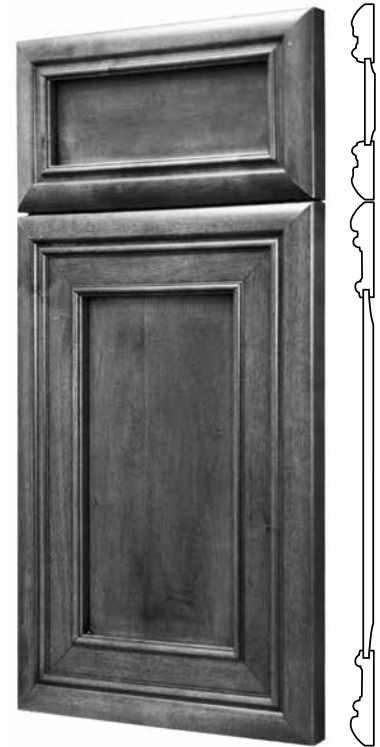
- Doors prepared for glass do not include glass. Order glass on page 9.11-9.12.
- Mullion-style doors are not available on cabinets less than 12" wide.
- Prairie-style doors are not available on cabinets less than 15" wide.
- Quarter Round-style doors have size limits. Call Customer Service.
- X Lite style: minimum door width and height 14<sup>7</sup>/<sub>8</sub>", maximum door width 23<sup>7</sup>/<sub>8</sub>" on doors with rail/stile dimensions less than 3". For doors with rails/stiles over 3", add 1" to minimum width and height. Doors exceeding 42" high will have double X's.
- Double Arch style: minimum door width and height 14<sup>7</sup>/<sub>8</sub>", maximum door width 23<sup>7</sup>/<sub>8</sub>" on door with rails/stiles less than 3". For doors with rails/stiles 3" and over, add 3" to minimum height and width.

# Door Styles : Wood

## Winchester

3/4"-thick, mitered frame with eased outside edge and molded door profile. Solid wood, recessed center panel with 2<sup>15</sup>/<sub>16</sub>" wide rails and stiles.

- Mitered-frame door styles are not recommended for use in areas with high humidity.
- Painted door (without distressing packages) will have MDF center panel
- Profiled Oven Panels and Microwave Oven Panels are 3/4"-thick Wood with the following outside edge profile:



Species Availability and Price Grade							
Oak	Maple	Cherry	Rustic Cherry	Alder	Rustic Alder	Red Birch	Walnut
6	7	8	7	8	7	8	N/A

Program Summary				
Door Back	Standard Cabinet Interior & Exterior	Standard Exposed Interior	Face Front Edgebanding	Specified Finished Ends
Painted or Stained Not Aged, Rubbed or Worn	Neutral Woodgrain Melamine	Painted or Stained Wood Veneer	Coordinated PVC	Painted or Stained Wood Veneer with Coordinated PVC Edgebanding

Door Construction		Drawer Construction		
<p>2<sup>7</sup>/<sub>8</sub>" to 6<sup>11</sup>/<sub>16</sub>" Slab</p>	<p>6<sup>3</sup>/<sub>4</sub>" to 23<sup>7</sup>/<sub>8</sub>" wide Recessed Center Panel Standard rails and stiles</p>	<p>2<sup>7</sup>/<sub>8</sub>" to 5<sup>5</sup>/<sub>16</sub>" high Slab</p>	<p>5<sup>3</sup>/<sub>8</sub>" to 7<sup>5</sup>/<sub>16</sub>" high Recessed Center Panel Reduced rails (1<sup>5</sup>/<sub>8</sub>") Reduced stiles (1<sup>5</sup>/<sub>8</sub>")</p>	<p>7<sup>3</sup>/<sub>8</sub>" to 23<sup>7</sup>/<sub>8</sub>" high Recessed Center Panel Standard rails and stiles</p>

• Dimensions are for actual door widths and drawer heights. For cabinet size, add 1/8" to door or drawer dimension.

Doors Prepared for Glass				
<p>FRAME</p>	<p>MULLION</p>	<p>PRAIRIE</p>	<p>X LITE</p>	<p>DOUBLE ARCH</p>
<ul style="list-style-type: none"> <li>• Doors prepared for glass do not include glass. Order glass on page 9.11-9.12.</li> <li>• Mullion-style doors are not available on cabinets less than 12" wide.</li> <li>• Prairie-style doors are not available on cabinets less than 15" wide.</li> <li>• X Lite style: minimum door width and height 14<sup>7</sup>/<sub>8</sub>", maximum door width 23<sup>7</sup>/<sub>8</sub>" on doors with rail/stile dimensions less than 3". For doors with rails/stiles over 3", add 1" to minimum width and height. Doors exceeding 42" high will have double X's.</li> <li>• Double Arch style: minimum door width and height 14<sup>7</sup>/<sub>8</sub>", maximum door width 23<sup>7</sup>/<sub>8</sub>" on door with rails/stiles less than 3". For doors with rails/stiles 3" and over, add 3" to minimum height and width.</li> </ul>				

# Door Styles : Wood

## York

3/4"-thick, mitered and beaded frame with profiled moulding detail. Solid wood, detailed, raised center panel. 2 1/2" wide rails and stiles. 5-piece matching drawer front standard.

- Mitered-frame door styles are not recommended for use in areas with high humidity.
- Pocket Doors not available.
- Metal Drawer not available.
- Painted door (without distressing packages) will have MDF center panel
- Profiled Oven Panels and Microwave Oven Panels are 3/4"-thick Wood with the following outside edge profile:

RO



Species Availability and Price Grade							
Oak	Maple	Cherry	Rustic Cherry	Alder	Rustic Alder	Red Birch	Walnut
5	6	7	N/A	N/A	N/A	N/A	N/A

Program Summary				
Door Back	Standard Cabinet Interior & Exterior	Standard Exposed Interior	Face Front Edgebanding	Specified Finished Ends
Painted or Stained Not Aged, Rubbed or Worn	Neutral Woodgrain Melamine	Painted or Stained Wood Veneer	Coordinated PVC	Painted or Stained Wood Veneer with Coordinated PVC Edgebanding

Door / Drawer Construction					
Door Construction			Drawer Construction		
6 3/16" and narrower Slab	6 1/4" to 7 15/16" wide Recessed Center Panel Standard rails and stiles	8" to 23 7/8" wide Raised Center Panel Standard rails and stiles	2 7/8" to 5 7/16" high Slab	5 1/2" to 8 3/16" high Raised Center Panel Reduced rails (1 1/2") Reduced stiles (1 1/2")	8 1/4" to 23 7/8" high Raised Center Panel Standard rails and stiles

• Dimensions are for actual door widths and drawer heights. For cabinet size, add 1/8" to door or drawer dimension.

Doors Prepared for Glass				
				<ul style="list-style-type: none"> <li>• Doors prepared for glass do not include glass. Order glass on page 9.11-9.12.</li> <li>• Mullion-style doors are not available on cabinets less than 12" wide.</li> <li>• X Lite style: minimum door width and height 14 7/8", maximum door width 23 7/8" on doors with rail/stile dimensions less than 3". For doors with rails/stiles over 3", add 1" to minimum width and height. Doors exceeding 42" high will have double X's.</li> <li>• Double Arch style: minimum door width and height 14 7/8", maximum door width 23 7/8" on door with rails/stiles less than 3". For doors with rails/stiles 3" and over, add 3" to minimum height and width.</li> </ul>
FRAME	MULLION	X LITE	DOUBLE ARCH	



# Program Summaries : Deluxe Veneers

## Design Notes

- Rift Cut Oak available on Engineered Furniture Core box only;  
Bamboo available on All-Plywood box only
- Maximum height on Tall cabinets and panels is 95<sup>5</sup>/<sub>16</sub>"
- Grain direction on Finished Ends runs same direction as on door
- All orders require a signed "Awareness Form", see OneTouch.

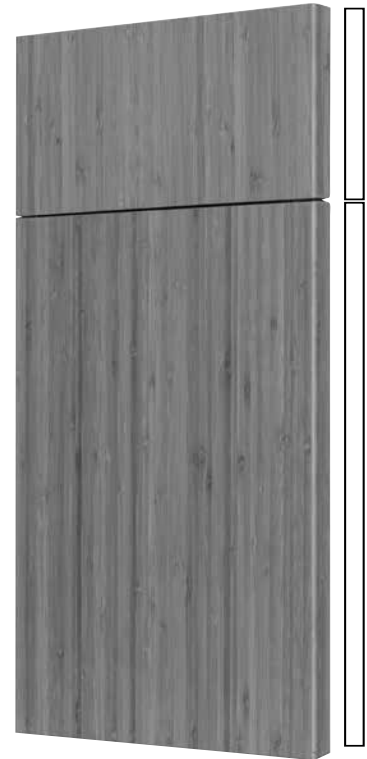
DELUXE VENEERS PROGRAM SUMMARY										
DOOR STYLE	DELUXE VENEER	FINISHES	PRICE GRADE	DOOR BACK	STANDARD CABINET INTERIOR & EXTERIOR	FACE FRONT EDGEBANDING	SPECIFIED FINISHED ENDS	STANDARD DRAWER	DOORS PREPARED FOR GLASS	STANDARD EXPOSED INTERIOR
Slab	Rift Cut Oak Vertical Rift Cut Oak Horizontal	Natural Chestnut Peppercorn Porcini Storm Grey Wenge	5 5	Stained Wood Veneer	Neutral Woodgrain Melamine	Coordinated PVC	Stained Wood Veneer with Coordinated PVC Edgebanding	Wood Dovetail with Soft Close	Not Available	Stained Wood Veneer
	Bamboo Vertical Bamboo Horizontal	Amber Chocolate Coastal Grey Natural Saddle Storm Grey	5 5	Stained Wood Veneer	Neutral Woodgrain Melamine	Coordinated PVC	Stained Wood Veneer with Coordinated PVC Edgebanding	Wood Dovetail with Soft Close	Frame	Stained Wood Veneer

# Door Styles : Deluxe Veneers

## Slab

3/4"-thick slab with square edges. Horizontal- or vertical-grain veneer with veneer edgebanding on all edges. Slab drawer front with horizontal or vertical grain.

- Rift Cut Oak is not available prepared for glass.
- Rift Cut Oak is available with Engineered Furniture Core box only.
- All-Plywood Option is required on Bamboo; upcharge will be added to all Bamboo orders.
- Horizontal species will come with horizontal finished ends.
- Profiled Oven Panels and Microwave Oven Panels are 3/4"-thick Wood Veneer with the following outside edge profile:



Finishes and Price Grade							
DELUXE VENEER	PRICE GRADE	FINISHES		DELUXE VENEER	PRICE GRADE	FINISHES	
Bamboo Vertical	5	Amber	Natural	Rift Cut Oak Vertical	5	Natural	Porcini
Bamboo Horizontal	5	Chocolate	Saddle	Rift Cut Oak Horizontal	5	Chestnut	Storm Grey
		Coastal Grey	Storm Grey			Peppercorn	Wenge

Program Summary				
Door Back	Standard Cabinet Interior & Exterior	Standard Exposed Interior	Face Front Edgebanding	Specified Finished Ends
Stained Wood Veneer Not Aged, Rubbed or Worn	Neutral Woodgrain Melamine	Stained Wood Veneer	Coordinated PVC	Stained Wood Veneer with Coordinated PVC Edgebanding

Door / Drawer Construction	
Door Construction	Drawer Construction
<p>237/8" and narrower Slab</p>	<p>31/2" to 237/8" high Slab</p>

Doors Prepared for Glass	
<p>FRAME</p>	<p><b>BAMBOO ONLY</b></p> <ul style="list-style-type: none"> <li>• Uses solid wood Shaker-style door.</li> <li>• Doors prepared for glass do <b>not</b> include glass. Order glass on page 9.11-9.12.</li> </ul>

- Dimensions are for actual door widths and drawer heights. For cabinet size, add 1/8" to door or drawer dimension.

# Program Summaries : Thermofoil

## Design Notes

- N/A = Not Available HG = High Gloss SM = SuperMatte
- Heat Shields are required. See page 17.9

THERMOFOIL PRICE GRADE & FINISH AVAILABILITY							
Finish Colors	RAISED-PANEL DOOR STYLES		RECESSED-PANEL DOOR STYLES		SLAB DOOR STYLES		
	Greco	Lexington	Eastover	Mission II	Adriatic	Cellini	Pasadena
Standard	Matte White	3	3	3	3	3	3
	Satin White	4	4	4	4	3	3
	Shark	4	N/A	4	4	4	4
	Silver Walnut	N/A	N/A	N/A	N/A	4	4
Premium	Clay	5	5	5	5	5	5
	<b>NEW</b> Coal SM	5	5	5	5	5	N/A
	Dark Ebony II Horizontal HG	N/A	N/A	N/A	N/A	6	6
	Dark Ebony II Vertical HG	N/A	N/A	N/A	N/A	6	6
	Gloss Steel HG	N/A	N/A	N/A	N/A	6	6
	Gloss White HG	6	N/A	N/A	N/A	6	6
	<b>NEW</b> Haze SM	6	6	6	6	6	N/A
	Lead Walnut Horizontal HG	N/A	N/A	N/A	N/A	6	6
	Lead Walnut Vertical HG	N/A	N/A	N/A	N/A	6	6
	Mink	5	5	5	5	5	5

# Program Summaries : Thermofoil

## Design Notes

- Finished Ends have vertical grain for all Thermofoil finishes
- Horizontals: Grain runs vertically on doors over 46 1/2" high, all Tall cabinets except 3-Door Tall Cabinets, all end panels and all finished interiors
- Verticals: Maximum width 46 1/2"; Vertical-grain drawer fronts limited to 46 1/2" wide
- Horizontal & vertical grains cannot be mixed on a cabinet
- Grain will run along the length of all mouldings
- Heat Shields are required. See page 17.9
- Plywood Option available only on standard Cabinet Interior color
- For Doors Prepared for Glass availability see page 4.3
- HZ = Horizontal VT = Vertical HG = High Gloss SM = SuperMatte

### THERMOFOIL PROGRAM SUMMARY

	FINISHES	DOOR GRAIN DIRECTION	DRAWER GRAIN DIRECTION	DOOR BACK	STANDARD CABINET INTERIOR & EXTERIOR	FACE FRONT EDGEBANDING	SPECIFIED FINISHED ENDS & STANDARD EXPOSED INTERIOR	STANDARD DRAWER	DOORS PREPARED FOR GLASS
STANDARD THERMOFOIL	Matte White	N/A	N/A	White Melamine	White Melamine	Coordinated PVC	Coordinated Melamine	Wood Dovetail with Soft Close	Available See Note
	Satin White	N/A	N/A						
	Smooth White	N/A	N/A						
	Silver Walnut	Vertical	Vertical	Coordinated Melamine	Neutral Woodgrain Melamine	Coordinated PVC	Coordinated Thermofoil	Wood Dovetail with Soft Close	Available See Note
	Shark	N/A	N/A	White Melamine	White Melamine	Coordinated PVC	Coordinated Thermofoil	Wood Dovetail with Soft Close	Available See Note
PREMIUM THERMOFOILS	Gloss Steel HG	Vertical	Vertical	White Melamine	White Melamine	Coordinated PVC	Coordinated Thermofoil	Wood Dovetail with Soft Close	Available See Note
	Gloss White HG	N/A	N/A						
	Clay	N/A	N/A	Grey Melamine	Grey Melamine	Coordinated PVC	Coordinated Thermofoil	Wood Dovetail with Soft Close	Available See Note
	Mink	N/A	N/A						
	Overcast	N/A	N/A						
	Wolf Grey HZ TX	Horizontal	Horizontal	Grey Melamine	Grey Melamine	Coordinated PVC	Coordinated Textured Thermofoil	Wood Dovetail with Soft Close	Available See Note
	Wolf Grey VT TX	Vertical	Vertical						
	Dark Ebony II HZ HG	Horizontal	Horizontal	Neutral Woodgrain Melamine	Neutral Woodgrain Melamine	Coordinated PVC	Coordinated Thermofoil	Wood Dovetail with Soft Close	Available See Note
	Dark Ebony II VT HG	Vertical	Vertical						
	Gloss Birdseye HG	Vertical	Horizontal						
	Gloss Wenge HZ HG	Horizontal	Horizontal						
	Gloss Wenge VT HG	Vertical	Vertical						
	Lead Walnut HZ HG	Horizontal	Horizontal						
Lead Walnut VT HG	Vertical	Vertical							
Pure Wenge HZ	Horizontal	Horizontal							
Pure Wenge VT	Vertical	Vertical							
NEW! Coal SM	N/A	N/A	Black Melamine	Grey Melamine	Coordinated PVC	Coordinated Thermofoil	Wood Dovetail with Soft Close	Available See Note	
NEW! Haze SM	N/A	N/A	Coordinated Melamine	Grey Melamine	Coordinated PVC	Coordinated Thermofoil	Wood Dovetail with Soft Close	Available See Note	

# Program Summaries : Thermofoil

## Design Notes

- Frame available only with 1/4" inside radius corners
- Prairie not available on doors less than 15" wide
- Adriatic and Edison with Frame: available only on doors 117/8" wide and wider
- ~~Applied moulding detail not available on Charleston Wide~~
- Doors prepared for glass do **not** include glass. Glass (shipped with retainer clips) is available as an accessory, ordered separately. See page 9.11-9.12.

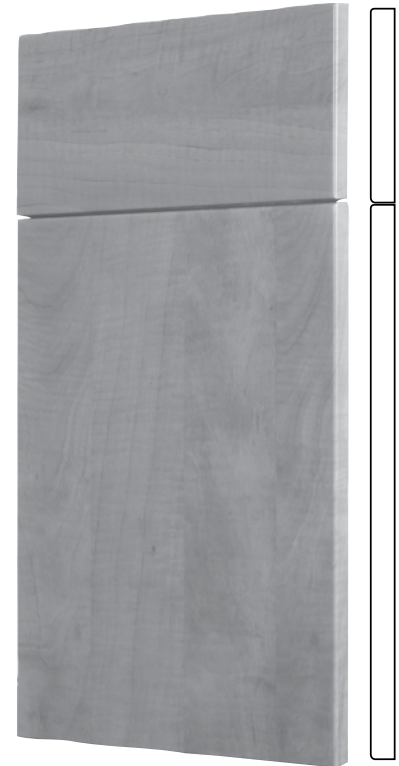
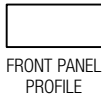
THERMOFOIL DOORS PREPARED FOR GLASS						
DOOR STYLE	FRAME	MULLION	PRAIRIE	QUARTER-ROUND	X LITE	DOUBLE ARCH
Adriatic	●					
<del>Beadboard</del>	●	●	●			
Cellini	●					
<del>Charleston Wide</del>	●	●	●			
Eastover	●					
<del>Edison</del>	●					
Greco	●	●	●	●		
<del>Greco Wide</del>	●	●	●	●		
<del>Hudson Wide</del>	●	●	●	●		
<del>Jupiter</del>	●					
Lexington	●	●	●			
Mission II	●	●	●	●		
Pasadena	●					

# Door Styles : Thermofoil

## Adriatic

3/4"-thick, slab door and drawer front with eased outside edges.

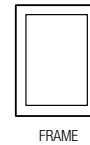
- Heat Shields are required. See page 17.9.
- Refer to Program Summary on page 4.2 for grain direction.
- Standard Front Panel is 3/4" -thick profiled, matching Thermofoil



Pricing					
STANDARD THERMOFOILS		PREMIUM THERMOFOILS			
FINISH	PRICE GRADE	FINISH	PRICE GRADE	FINISH	PRICE GRADE
Matte White	3	Clay	5	<b>NEW!</b> Haze SM	6
Satin White	3	<b>NEW!</b> Coal SM	5	Lead Walnut Horizontal HG	6
Shark	4	Dark Ebony II Horizontal HG	6	Lead Walnut Vertical HG	6
Silver Walnut	4	Dark Ebony II Vertical HG	6	Mink	5
Smooth White	N/A	Gloss Birdseye	5	Overcast	5
		Gloss Steel HG	6	Pure Wenge Horizontal	6
		Gloss Wenge Horizontal HG	6	Pure Wenge Vertical	6
		Gloss Wenge Vertical HG	6	Wolf Grey Horizontal TX	5
		Gloss White HG	6	Wolf Grey Vertical TX	5

SM = SuperMatte, HG = High Gloss

## Doors Prepared for Glass



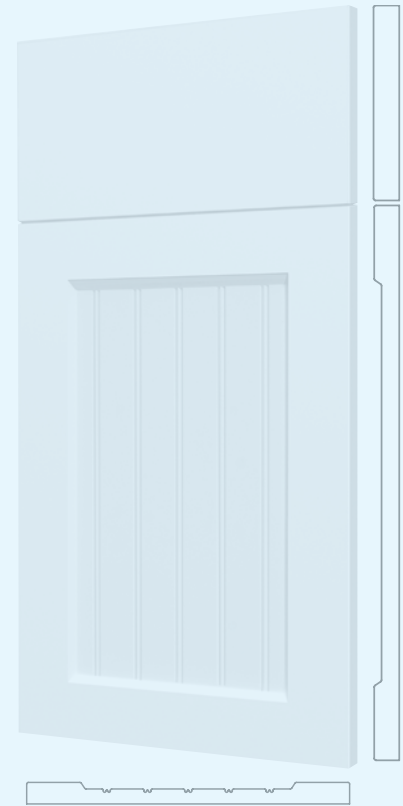
- Frame-style doors prepared for glass are available only with 1/4" inside-radius corners.
- Doors prepared for glass do not include glass. Glass (shipped with retainer clips) is available as an accessory, ordered separately. See page 9.11-9.12.

# Door Styles : Thermofoil

## Beadboard

3/4"-thick door with eased outside edge detail and slanted bevel on inside edge. Recessed center panel has double-grooved beaded detail. 2" wide rails and stiles. Slab drawer front only.

- Heat Shields are required. See page 17.9.
- Thermofoil Program Summary is on page 4.2.
- Standard Front Panel is 3/4"-thick profiled, matching Thermofoil



Pricing					
STANDARD THERMOFOILS		PREMIUM THERMOFOILS			
FINISH	PRICE GRADE	FINISH	PRICE GRADE	FINISH	PRICE GRADE
Matte White	N/A	Clay	N/A	Lead Walnut Horizontal HG	N/A
Satin White	N/A	Dark Ebony II Horizontal HG	N/A	Lead Walnut Vertical HG	N/A
Shark	N/A	Dark Ebony II Vertical HG	N/A	Mink	N/A
Silver Walnut	N/A	Gloss Birdseye	N/A	Overcast	N/A
Smooth White	3	Gloss Steel HG	N/A	Pure Wenge Horizontal	N/A
		Gloss Wenge Horizontal HG	N/A	Pure Wenge Vertical	N/A
		Gloss Wenge Vertical HG	N/A	Wolf Grey Horizontal TX	N/A
		Gloss White HG	N/A	Wolf Grey Vertical TX	N/A

## Doors Prepared for Glass



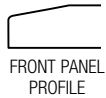
- Frame-style doors prepared for glass are available only with 1/4" inside-radius corners.
- Prairie-style doors prepared for glass are not available on doors less than 15" wide.
- Doors prepared for glass do not include glass. Glass (shipped with retainer clips) is available as an accessory, ordered separately. See page 9.11-9.12.

# Door Styles : Thermofoil

## Cellini

3/4"-thick, slab door and drawer front. Outside edges bevel from 3/4" to 5/8".

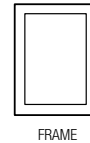
- Heat Shields are required. See page 17.9.
- Fillers are 5/8", not beveled.
- Pocket Doors not available.
- Refer to Program Summary on page 4.2 for grain direction.
- Standard Front Panel is 3/4"-thick profiled, matching Thermofoil



Pricing					
STANDARD THERMOFOILS		PREMIUM THERMOFOILS			
FINISH	PRICE GRADE	FINISH	PRICE GRADE	FINISH	PRICE GRADE
Matte White	3	Clay	5	<b>NEW!</b> Haze SM	6
Satin White	3	<b>NEW!</b> Coal SM	5	Lead Walnut Horizontal HG	6
Shark	4	Dark Ebony II Horizontal HG	6	Lead Walnut Vertical HG	6
Silver Walnut	4	Dark Ebony II Vertical HG	6	Mink	5
Smooth White	N/A	Gloss Birdseye	5	Overcast	5
		Gloss Steel HG	6	Pure Wenge Horizontal	6
		Gloss Wenge Horizontal HG	6	Pure Wenge Vertical	6
		Gloss Wenge Vertical HG	6	Wolf Grey Horizontal TX	5
		Gloss White HG	6	Wolf Grey Vertical TX	5

SM = SuperMatte, HG = High Gloss

## Doors Prepared for Glass



- Frame-style doors prepared for glass are available only with 1/4" inside-radius corners.
- Doors prepared for glass do not include glass. Glass (shipped with retainer clips) is available as an accessory, ordered separately. See page 9.11-9.12.



## Door Styles : Thermofoil

### Charleston Wide

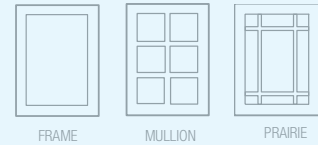
*3/4"-thick, cove-bevel, raised-panel door and recessed-panel drawer front, each with applied moulding detail. 3/2"-wide rails and stiles.*

- Doors up to 8<sup>13/16</sup>" wide will be a slab-style door.
- Heat Shields are required. See page 17.9.
- Refer to Program Summary on page 4.2 for grain direction.
- Pocket Doors not available.
- Standard Front Panel is 3/4"-thick profiled, matching Thermofoil



Pricing					
STANDARD THERMOFOILS		PREMIUM THERMOFOILS			
FINISH	PRICE GRADE	FINISH	PRICE GRADE	FINISH	PRICE GRADE
Matte White	3	Clay	5	Lead Walnut Horizontal HG	N/A
Satin White	4	Dark Ebony II Horizontal HG	N/A	Lead Walnut Vertical HG	N/A
Shark	4	Dark Ebony II Vertical HG	N/A	Mink	5
Silver Walnut	N/A	Gloss Birdseye	5	Overcast	5
Smooth White	N/A	Gloss Steel HG	N/A	Pure Wenge Horizontal	N/A
		Gloss Wenge Horizontal HG	N/A	Pure Wenge Vertical	N/A
		Gloss Wenge Vertical HG	N/A	Wolf Grey Horizontal TX	N/A
		Gloss White HG	6	Wolf Grey Vertical TX	N/A

### Doors Prepared for Glass



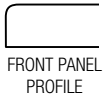
- Applied moulding detail is not available on Mullion and Prairie styles.
- Frame-style doors prepared for glass are available only with 1/4" inside-radius corners.
- Prairie-style doors prepared for glass are not available on doors less than 15" wide.
- Doors prepared for glass do not include glass. Glass (shipped with retainer clips) is available as an accessory, ordered separately. See page 9.11-9.12.

# Door Styles : Thermofoil

## Eastover

3/4"-thick, recessed center panel door and drawer front with eased outside edge detail and large stepped bevel inside edge. 2 1/2" rails and stiles.

- Heat Shields are required. See page 17.9.
- Thermofoil Program Summary is on page 4.2.
- Pocket Doors are not available.
- Standard Front Panel is 3/4"-thick profiled, matching Thermofoil



Shown with Standard Drawer Front



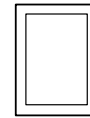
Shown with optional 5-Piece Matching Drawer Front \$89.00 List Each

### Pricing

STANDARD THERMOFOILS		PREMIUM THERMOFOILS			
FINISH	PRICE GRADE	FINISH	PRICE GRADE	FINISH	PRICE GRADE
Matte White	3	Clay	5	<b>NEW!</b> Haze SM	6
Satin White	4	<b>NEW!</b> Coal SM	5	Lead Walnut Horizontal HG	N/A
Shark	4	Dark Ebony II Horizontal HG	N/A	Lead Walnut Vertical HG	N/A
Silver Walnut	N/A	Dark Ebony II Vertical HG	N/A	Mink	5
Smooth White	N/A	Gloss Birdseye	N/A	Overcast	5
		Gloss Steel HG	N/A	Pure Wenge Horizontal	N/A
		Gloss Wenge Horizontal HG	N/A	Pure Wenge Vertical	N/A
		Gloss Wenge Vertical HG	N/A	Wolf Grey Horizontal TX	N/A
		Gloss White HG	N/A	Wolf Grey Vertical TX	N/A

SM = SuperMatte, HG = High Gloss

### Doors Prepared for Glass



FRAME

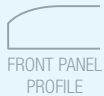
- Frame-style doors prepared for glass are available only with 1/4" inside-radius corners.
- Doors prepared for glass do not include glass. Glass (shipped with retainer clips) is available as an accessory, ordered separately. See page 9.11-9.12.

## Door Styles : Thermofoil

### Edison

*3/4"-thick, slab door and drawer front. Outside edges have a soft, beveled "pillow edge."*

- Heat Shields are required. See page 17.9.
- Fillers are 5/8" not beveled.
- Refer to Program Summary on page 4.2 for grain direction.
- Standard Front Panel is 3/4"-thick profiled, matching Thermofoil



Pricing					
STANDARD THERMOFOILS		PREMIUM THERMOFOILS			
FINISH	PRICE GRADE	FINISH	PRICE GRADE	FINISH	PRICE GRADE
Matte White	3	Clay	5	Lead Walnut Horizontal HG	6
Satin White	3	Dark Ebony II Horizontal HG	6	Lead Walnut Vertical HG	6
Shark	4	Dark Ebony II Vertical HG	6	Mink	5
Silver Walnut	4	Gloss Birdseye	5	Overcast	5
Smooth White	N/A	Gloss Steel HG	6	Pure Wenge Horizontal	6
		Gloss Wenge Horizontal HG	6	Pure Wenge Vertical	6
		Gloss Wenge Vertical HG	6	Wolf Grey Horizontal TX	5
		Gloss White HG	6	Wolf Grey Vertical TX	5

### Doors Prepared for Glass



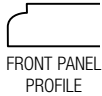
- Frame-style doors prepared for glass are available only with 1/4" inside-radius corners.
- Doors prepared for glass do not include glass. Glass (shipped with retainer clips) is available as an accessory, ordered separately. See page 9.11-9.12.

# Door Styles : Thermofoil

## Greco

3/4"-thick, slant-bevel, raised-panel door and drawer front with ogee detail on outside edges and bead detail on inside frame. 2 1/2" wide rails and stiles.

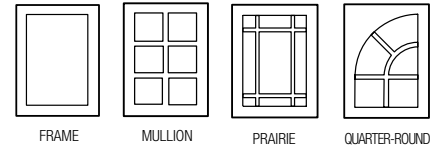
- Heat Shields are required. See page 17.9.
- Refer to Program Summary on page 4.2 for grain direction.
- Standard Front Panel is 3/4"-thick profiled, matching Thermofoil



Pricing					
STANDARD THERMOFOILS		PREMIUM THERMOFOILS			
FINISH	PRICE GRADE	FINISH	PRICE GRADE	FINISH	PRICE GRADE
Matte White	3	Clay	5	<b>NEW</b> Haze SM	6
Satin White	4	<b>NEW</b> Coal SM	5	Lead Walnut Horizontal HG	N/A
Shark	4	Dark Ebony II Horizontal HG	N/A	Lead Walnut Vertical HG	N/A
Silver Walnut	N/A	Dark Ebony II Vertical HG	N/A	Mink	5
Smooth White	N/A	Gloss Birdseye	5	Overcast	5
		Gloss Steel HG	N/A	Pure Wenge Horizontal	N/A
		Gloss Wenge Horizontal HG	N/A	Pure Wenge Vertical	N/A
		Gloss Wenge Vertical HG	N/A	Wolf Grey Horizontal TX	N/A
		Gloss White HG	6	Wolf Grey Vertical TX	N/A

SM = SuperMatte, HG = High Gloss

## Doors Prepared for Glass



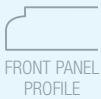
- Frame-style doors prepared for glass are available only with 1/4" inside-radius corners.
- Quarter-Round-style doors prepared for glass have size limitations; call Customer Service.
- Prairie-style doors prepared for glass are not available on doors less than 15" wide.
- Doors prepared for glass do not include glass. Glass (shipped with retainer clips) is available as an accessory, ordered separately. See page 9.11-9.12.

## Door Styles : Thermofoil

### Greco Wide

3/4"-thick, slant-bevel, raised-panel door and drawer front with ogee detail on outside edges and bead detail on inside frame. 3 1/2"-wide rails and stiles.

- Doors up to 7 1/2" wide will be a slab-style door.
- Doors 7 1/2" wide up to 8 13/16" wide will have narrow stiles and wide rails.
- Heat Shields are required. See page 17.9.
- Refer to Program Summary on page 4.2 for grain direction.
- Standard Front Panel is 3/4"-thick profiled, matching Thermofoil



Pricing					
STANDARD THERMOFOILS		PREMIUM THERMOFOILS			
FINISH	PRICE GRADE	FINISH	PRICE GRADE	FINISH	PRICE GRADE
Matte White	3	Clay	5	Lead Walnut Horizontal HG	N/A
Satin White	4	Dark Ebony II Horizontal HG	N/A	Lead Walnut Vertical HG	N/A
Shark	4	Dark Ebony II Vertical HG	N/A	Mink	5
Silver Walnut	N/A	Gloss Birdseye	5	Overcast	5
Smooth White	N/A	Gloss Steel HG	N/A	Pure Wenge Horizontal	N/A
		Gloss Wenge Horizontal HG	N/A	Pure Wenge Vertical	N/A
		Gloss Wenge Vertical HG	N/A	Wolf Grey Horizontal TX	N/A
		Gloss White HG	6	Wolf Grey Vertical TX	N/A

### Doors Prepared for Glass



- Frame-style doors prepared for glass are available only with 1/4" inside-radius corners.
- Prairie-style doors prepared for glass are not available on doors less than 15" wide.
- Doors prepared for glass do not include glass. Glass (shipped with retainer clips) is available as an accessory, ordered separately. See page 9.11-9.12.

## Door Styles : Thermofoil

### Hudson Wide

3/4"-thick, recessed-panel door and drawer front with eased outside edges and bead detail on inside frame. 3 1/2"-wide rails and stiles.

- Doors up to 7 1/2" wide will be a slab-style door.
- Doors 7 1/2" wide up to 8 13/16" wide will have narrow stiles and wide rails.
- Heat Shields are required. See page 17.9.
- Standard Front Panel is 3/4"-thick profiled, matching Thermofoil



Pricing					
STANDARD THERMOFOILS		PREMIUM THERMOFOILS			
FINISH	PRICE GRADE	FINISH	PRICE GRADE	FINISH	PRICE GRADE
Matte White	3	Clay	5	Lead Walnut Horizontal HG	N/A
Satin White	4	Dark Ebony II Horizontal HG	N/A	Lead Walnut Vertical HG	N/A
Shark	4	Dark Ebony II Vertical HG	N/A	Mink	5
Silver Walnut	N/A	Gloss Birdseye	N/A	Overcast	5
Smooth White	N/A	Gloss Steel HG	N/A	Pure Wenge Horizontal	N/A
		Gloss Wenge Horizontal HG	N/A	Pure Wenge Vertical	N/A
		Gloss Wenge Vertical HG	N/A	Wolf Grey Horizontal TX	N/A
		Gloss White HG	N/A	Wolf Grey Vertical TX	N/A

### Doors Prepared for Glass



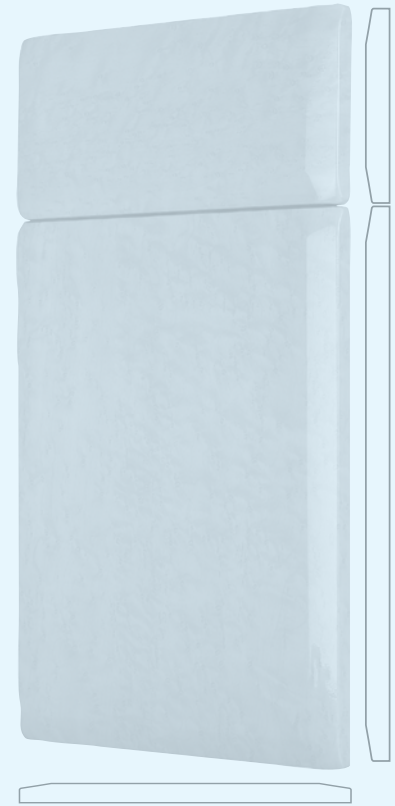
- Frame-style doors prepared for glass are available only with 1/4" inside-radius corners.
- Prairie-style doors prepared for glass are not available on doors less than 15" wide.
- Doors prepared for glass do not include glass. Glass (shipped with retainer clips) is available as an accessory, ordered separately. See page 9.11-9.12.

## Door Styles : Thermofoil

### Jupiter

*3/4"-thick, slab door and drawer front. Outside edges bevel from 3/4" to 1/2" and are "pointed" on the corners.*

- Heat Shields are required. See page 17.9.
- Fillers are 3/4".
- Refer to Program Summary on page 4.2 for grain direction.
- Standard Front Panel is 3/4"-thick profiled, matching Thermofoil



Pricing					
STANDARD THERMOFOILS		PREMIUM THERMOFOILS			
FINISH	PRICE GRADE	FINISH	PRICE GRADE	FINISH	PRICE GRADE
Matte White	3	Clay	5	Lead Walnut Horizontal HG	6
Satin White	3	Dark Ebony II Horizontal HG	6	Lead Walnut Vertical HG	6
Shark	4	Dark Ebony II Vertical HG	6	Mink	5
Silver Walnut	4	Gloss Birdseye	5	Overcast	5
Smooth White	N/A	Gloss Steel HG	6	Pure Wenge Horizontal	6
		Gloss Wenge Horizontal HG	6	Pure Wenge Vertical	6
		Gloss Wenge Vertical HG	6	Wolf Grey Horizontal TX	5
		Gloss White HG	6	Wolf Grey Vertical TX	5

### Doors Prepared for Glass



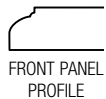
- Frame-style doors prepared for glass are available only with 1/4" inside-radius corners.
- Doors prepared for glass do not include glass. Glass (shipped with retainer clips) is available as an accessory, ordered separately. See page 9.11-9.12.

# Door Styles : Thermofoil

## Lexington

3/4"-thick, slant-bevel, small-stepped raised panel door and drawer front with small-stepped edge detail on inside frame edge and ogee detail on outside edges. 1 3/4" rails and stiles.

- Heat Shields are required. See page 17.9.
- Standard Front Panel is 3/4"-thick profiled, matching Thermofoil



Shown with Standard Drawer Front

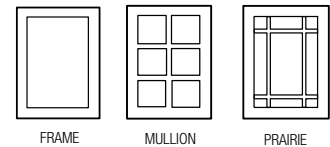


Shown with optional 5-Piece Matching Drawer Front  
\$89.00 List Each

Pricing					
STANDARD THERMOFOILS		PREMIUM THERMOFOILS			
FINISH	PRICE GRADE	FINISH	PRICE GRADE	FINISH	PRICE GRADE
Matte White	3	Clay	5	<b>NEW!</b> Haze SM	6
Satin White	4	<b>NEW!</b> Coal SM	5	Lead Walnut Horizontal HG	N/A
Shark	N/A	Dark Ebony II Horizontal HG	N/A	Lead Walnut Vertical HG	N/A
Silver Walnut	N/A	Dark Ebony II Vertical HG	N/A	Mink	5
Smooth White	N/A	Gloss Birdseye	N/A	Overcast	5
		Gloss Steel HG	N/A	Pure Wenge Horizontal	N/A
		Gloss Wenge Horizontal HG	N/A	Pure Wenge Vertical	N/A
		Gloss Wenge Vertical HG	N/A	Wolf Grey Horizontal TX	N/A
		Gloss White HG	N/A	Wolf Grey Vertical TX	N/A

SM = SuperMatte, HG = High Gloss

## Doors Prepared for Glass



- Frame-style doors prepared for glass are available only with 1/4" inside-radius corners.
- Prairie-style doors prepared for glass are not available on doors less than 15" wide.
- Doors prepared for glass do not include glass. Glass (shipped with retainer clips) is available as an accessory, ordered separately. See page 9.11-9.12.

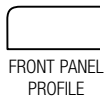


# Door Styles : Thermofoil

## Mission II

3/4"-thick, recessed-panel door and slab drawer front with eased outside edges.

- Doors up to 7 1/2" wide will be a slab-style door.
- Heat Shields are required. See page 17.9.
- Standard Front Panel is 3/4" -thick profiled, matching Thermofoil



Shown with Standard Drawer Front

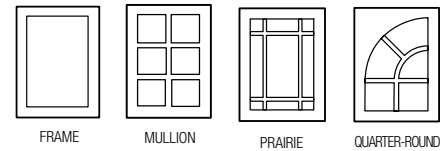


Shown with optional 5-Piece Matching Drawer Front  
\$89.00 List Each

Pricing					
STANDARD THERMOFOILS		PREMIUM THERMOFOILS			
FINISH	PRICE GRADE	FINISH	PRICE GRADE	FINISH	PRICE GRADE
Matte White	3	Clay	5	<b>NEW!</b> Haze SM	6
Satin White	4	<b>NEW!</b> Coal SM	5	Lead Walnut Horizontal HG	N/A
Shark	4	Dark Ebony II Horizontal HG	N/A	Lead Walnut Vertical HG	N/A
Silver Walnut	N/A	Dark Ebony II Vertical HG	N/A	Mink	5
Smooth White	N/A	Gloss Birdseye	N/A	Overcast	5
		Gloss Steel HG	N/A	Pure Wenge Horizontal	N/A
		Gloss Wenge Horizontal HG	N/A	Pure Wenge Vertical	N/A
		Gloss Wenge Vertical HG	N/A	Wolf Grey Horizontal TX	N/A
		Gloss White HG	N/A	Wolf Grey Vertical TX	N/A

SM = SuperMatte, HG = High Gloss

## Doors Prepared for Glass



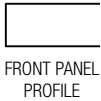
- Frame-style doors prepared for glass are available only with 1/4" inside-radius corners.
- Prairie-style doors prepared for glass are not available on doors less than 15" wide.
- Doors prepared for glass do not include glass. Glass (shipped with retainer clips) is available as an accessory, ordered separately. See page 9.11-9.12.

# Door Styles : Thermofoil

## Pasadena

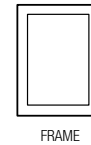
3/4"-thick, slab door and drawer front with beveled horizontal edges.

- Not available on Horizontal Bi-Fold Cabinets.
- Heat Shields are required. See page 17.9.
- Refer to Program Summary on page 4.2 for grain direction.
- Standard Front Panel is 3/4"-thick profiled, matching Thermofoil



Pricing					
STANDARD THERMOFOILS		PREMIUM THERMOFOILS			
FINISH	PRICE GRADE	FINISH	PRICE GRADE	FINISH	PRICE GRADE
Matte White	3	Clay	5	Lead Walnut Horizontal HG	6
Satin White	3	Dark Ebony II Horizontal HG	6	Lead Walnut Vertical HG	6
Shark	4	Dark Ebony II Vertical HG	6	Mink	5
Silver Walnut	4	Gloss Birdseye	5	Overcast	5
Smooth White	N/A	Gloss Steel HG	6	Pure Wenge Horizontal	6
		Gloss Wenge Horizontal HG	6	Pure Wenge Vertical	6
		Gloss Wenge Vertical HG	6	Wolf Grey Horizontal TX	5
		Gloss White HG	6	Wolf Grey Vertical TX	5

## Doors Prepared for Glass



- Frame-style doors prepared for glass are available only with 1/4" inside-radius corners.
- Doors prepared for glass do not include glass. Glass (shipped with retainer clips) is available as an accessory, ordered separately. See page 9.11-9.12.

# Program Summaries : UltraLux

Solid Color High-Gloss Acrylic				ULTRALUX PROGRAM SUMMARY	
The most scratch-resistant, high-gloss acrylic surface available. Dry Erase-certified; guaranteed never to ghost!					
ALL COLORS AVAILABLE IN THESE DOOR STYLES	COLORS	GRAIN DIRECTION DOOR DRAWER	DOOR BACK Acrilux II, Edgewater, South Beach	DOOR BACK Hollywood	BOX
<p><b>ACRILUX II</b> Slab Aluminum-look Edgebanding (translucent PVC with Aluminum backing) Price Column: 7 Prepped for glass: not available</p> <p><b>EDGEWATER</b> Slab Two-tone, V-Groove Edgebanding Price Column: 7 Prepped for glass: not available</p> <p><b>SOUTH BEACH</b> Slab Matching Edgebanding Price Column: 7 Prepped for glass: not available</p> <p><b>HOLLYWOOD</b> 5-pc door and drawer Matching Edgebanding Price Column: 9 Prepped for glass: Frame</p>	Cappuccino HG	N/A	Grey Matte Melamine	Matching Gloss Acrylic	<p><b>STANDARD CABINET INTERIOR &amp; EXTERIOR</b> Specify White, Grey or Neutral Woodgrain Melamine</p> <p><b>FACE FRONT EDGEBANDING</b> Coordinated Gloss PVC</p> <p><b>STANDARD EXPOSED INTERIOR</b> Coordinated Gloss Acrylic</p> <p><b>SPECIFIED FINISHED ENDS &amp; FINISHED INTERIORS</b> Coordinated Gloss Acrylic</p> <p><b>STANDARD DRAWER</b> Metal Drawer with Soft Close</p>
	Carbon HG	N/A	Charcoal Grey Matte Melamine	Matching Gloss Acrylic	
	Creme Brulee HG	N/A	Antique White Matte Melamine	Matching Gloss Acrylic	
	Flint HG	N/A	Grey Matte Melamine	Matching Gloss Acrylic	
	Midnight HG	N/A	Black Matte Melamine	Matching Gloss Acrylic	
	Naval HG	N/A	Grey Matte Melamine	Matching Gloss Acrylic	
	Powder HG	N/A	Glacier White Matte Melamine	Matching Gloss Acrylic	
	Pure White HG	N/A	Glacier White Matte Melamine	Matching Gloss Acrylic	
	Racing Red HG	N/A	Grey Matte Melamine	Matching Gloss Acrylic	
	Sage HG	N/A	Grey Matte Melamine	Matching Gloss Acrylic	
<p><b>DESIGN NOTES</b></p> <ul style="list-style-type: none"> <li>• Metallic portion of Edgewater's V-Groove edgebanding varies slightly between finishes; order door or drawer front sample prior to ordering cabinets</li> <li>• Panels for Edgewater and Acrilux II will have coordinated, solid-color edgebanding</li> <li>• Plywood Option available on all standard cabinet interior colors; must be specified</li> <li>• HG = High Gloss</li> </ul>					

Linear-Pattern High-Gloss Acrylic				ULTRALUX PROGRAM SUMMARY
High-gloss laminate film. PET (polyethylene terephthalate).				
ALL COLORS AVAILABLE IN THESE DOOR STYLES	COLORS	GRAIN DIRECTION DOOR DRAWER	DOOR BACK	BOX
<p><b>ACRILUX II</b> Slab Aluminum-look Edgebanding (translucent PVC with Aluminum backing) Price Column: 7 Prepped for glass: not available</p> <p><b>SOUTH BEACH</b> Slab Matching Edgebanding Price Column: 7 Prepped for glass: not available</p>	Linear Black HG	V V	Black Matte Melamine	<p><b>STANDARD CABINET INTERIOR &amp; EXTERIOR</b> Specify White, Grey or Neutral Woodgrain Melamine</p> <p><b>FACE FRONT EDGEBANDING</b> Coordinated Gloss PVC</p> <p><b>STANDARD EXPOSED INTERIOR</b> Coordinated Gloss PET</p> <p><b>SPECIFIED FINISHED ENDS &amp; FINISHED INTERIORS</b> Coordinated Gloss PET</p> <p><b>STANDARD DRAWER</b> Metal Drawer with Soft Close</p>
	Linear Bronze II HG	V V	Coordinated Matte Melamine	
	Linear Silver HG	V V	Coordinated Matte Melamine	
	Linear White HG	V V	Coordinated Matte Melamine	
<p><b>DESIGN NOTES</b></p> <ul style="list-style-type: none"> <li>• Vertical-grain drawer fronts limited to 46<sup>1</sup>/<sub>2</sub>" wide</li> <li>• Panels for Acrilux II door style will have coordinated, solid-color edgebanding</li> <li>• Plywood Option available on all standard cabinet interior colors; must be specified</li> <li>• HG = High Gloss</li> </ul>				

# Program Summaries : UltraLux

Metallic-Look High-Gloss Acrylic				ULTRALUX PROGRAM SUMMARY				
The most scratch-resistant, high-gloss acrylic surface available. Dry Erase-certified; guaranteed never to ghost!								
ALL COLORS AVAILABLE IN THESE DOOR STYLES	COLORS	GRAIN DIRECTION		DOOR BACK				
		DOOR	DRAWER					
<b>ACRILUX II</b> Slab Aluminum-look Edgebanding (translucent PVC with Aluminum backing) Price Column: 7 Prepped for glass: not available	Champagne Metallic HG	V	V	Grey Matte Melamine				
	Silver Metallic HG	V	V	Grey Matte Melamine				
	Mica Metallic HG	V	V	Charcoal Grey Matte Melamine				
<b>EDGEWATER</b> Slab Two-tone, V-Groove Edgebanding Price Column: 7 Prepped for glass: not available	<b>DESIGN NOTES</b> <ul style="list-style-type: none"> <li>• Due to the nature of Metallic-look finishes, parts over 48" wide will show a noticeable color change</li> <li>• Vertical-grain drawer fronts limited to 46 1/2" wide</li> <li>• Metallic portion of Edgewater's V-Groove edgebanding varies slightly between finishes; order door or drawer front sample prior to ordering cabinets</li> <li>• Panels for Edgewater and Acrilux II door styles will have coordinated, solid-color edgebanding</li> <li>• Plywood Option available on all standard cabinet interior colors; must be specified</li> <li>• HG = High Gloss</li> </ul>							
<b>SOUTH BEACH</b> Slab Matching Edgebanding Price Column: 7 Prepped for glass: not available								
<b>BOX</b>								
<b>STANDARD CABINET INTERIOR &amp; EXTERIOR</b> Specify White, Grey or Neutral Woodgrain Melamine								
<b>FACE FRONT EDGEBANDING</b> Coordinated Gloss PVC								
<b>STANDARD EXPOSED INTERIOR</b> Coordinated Gloss Acrylic								
<b>SPECIFIED FINISHED ENDS &amp; FINISHED INTERIORS</b> Coordinated Gloss Acrylic								
<b>STANDARD DRAWER</b> Metal Drawer with Soft Close								

Aluminum Metal Laminate				ULTRALUX PROGRAM SUMMARY
Brushed aluminum.				
ALL COLORS AVAILABLE IN THESE DOOR STYLES	COLORS	GRAIN DIRECTION		DOOR BACK
		DOOR	DRAWER	
<b>ACRILUX II</b> Slab Brushed Aluminum-look Edgebanding (translucent PVC with Aluminum backing) Price Column: 7 Prepped for glass: not available	Black Aluminum	V	V	Black Matte Melamine
	Brushed Aluminum	V	V	Black Matte Melamine
	Nickel Aluminum	V	V	Black Matte Melamine
	Stainless Aluminum	V	V	Black Matte Melamine
<b>DESIGN NOTES</b> <ul style="list-style-type: none"> <li>• Vertical-grain drawer fronts limited to 46 1/2" wide</li> <li>• Panels for Acrilux II door style will have coordinated, solid-color edgebanding</li> <li>• Plywood Option available on all standard cabinet interior colors; must be specified</li> </ul>				
<b>BOX</b>				
<b>STANDARD CABINET INTERIOR &amp; EXTERIOR</b> Specify White, Grey or Neutral Woodgrain Melamine				
<b>FACE FRONT EDGEBANDING</b> Coordinated Gloss PVC				
<b>STANDARD EXPOSED INTERIOR</b> Coordinated Gloss Acrylic				
<b>SPECIFIED FINISHED ENDS &amp; FINISHED INTERIORS</b> Coordinated Gloss Acrylic				
<b>STANDARD DRAWER</b> Metal Drawer with Soft Close				

# Program Summaries : UltraLux

**ULTRALUX  
PROGRAM  
SUMMARY**

## Matte Acrylic

Smooth and soft to the touch, excellent scratch resistance, UV stabilized, anti-fingerprint properties.

ALL COLORS AVAILABLE IN THESE DOOR STYLES	COLORS	GRAIN DIRECTION DOOR DRAWER	DOOR BACK South Beach	DOOR BACK Hollywood	BOX
<p><b>SOUTH BEACH</b> Slab Matching Edgebanding Price Column: 7 Prepped for glass: not available</p> <p><b>HOLLYWOOD</b> 5-pc door and drawer Matching Edgebanding Price Column: 9 Prepped for glass: Frame</p>	Black Ops UltraMatte	N/A	Black Matte Melamine	Matching Matte Acrylic	<p><b>STANDARD CABINET INTERIOR &amp; EXTERIOR</b> Specify White, Grey or Neutral Woodgrain Melamine</p> <p><b>FACE FRONT EDGEBANDING</b> Coordinated Matte PVC</p> <p><b>STANDARD EXPOSED INTERIOR</b> Coordinated Matte Acrylic</p> <p><b>SPECIFIED FINISHED ENDS &amp; FINISHED INTERIORS</b> Coordinated Matte Acrylic</p> <p><b>STANDARD DRAWER</b> Metal Drawer with Soft Close</p>
	Naval UltraMatte	N/A	Grey Matte Melamine	Matching Matte Acrylic	
	Reina White UltraMatte	N/A	Glacier White Matte Melamine	Matching Matte Acrylic	
	River Stone UltraMatte	N/A	Folkstone Grey Matte Melamine	Matching Matte Acrylic	
	Sage UltraMatte	N/A	Grey Matte Melamine	Matching Matte Acrylic	
<p>DESIGN NOTES</p> <ul style="list-style-type: none"> <li>Plywood Option available on all standard cabinet interior colors; must be specified</li> </ul>					

# Door Styles : UltraLux

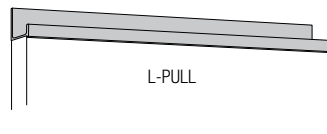
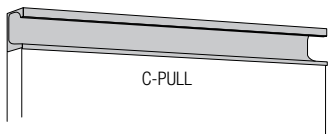
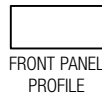
## Acrilux II

3/4"-thick, slab door and drawer front. Door is edgebanded in translucent PVC with an aluminum backer.

- Metal Drawer with Soft Close standard. See page 1.9.
- Not available prepared for glass.
- Specify cabinet interior/exterior: White, Grey or Neutral Woodgrain melamine.
- Dry Erase-certified on non-linear and non-matte finishes.
- Due to the nature of all Metallic finishes, parts over 48" wide will show a noticeable color change.
- Panels in all finishes except Aluminum Laminates will have Coordinated Gloss PVC edgebanding; Panels in Aluminum Laminate finishes will have Coordinated PVC edgebanding.
- Standard Front Panel is 3/4"-thick Matching UltraLux.
- Available with Integrated C-Pull or L-Pull. See Custom Modification on page 9.1.



**NEW!**



Price Grade
7

Program Summary					
FINISHES	DOOR BACK	STANDARD CABINET INTERIOR & EXTERIOR	FACE FRONT EDGEBANDING	SPECIFIED FINISHED ENDS	STANDARD EXPOSED INTERIOR
Carbon HG Mica Metallic HG	Charcoal Grey Matte Melamine	White, Grey or Neutral Woodgrain Melamine	Coordinated Gloss PVC	Coordinated Gloss Acrylic	Coordinated Gloss Acrylic
Cappuccino HG Champagne Metallic HG Flint HG Naval HG Racing Red HG Sage HG Silver Metallic HG	Grey Matte Melamine	White, Grey or Neutral Woodgrain Melamine	Coordinated Gloss PVC	Coordinated Gloss Acrylic	Coordinated Gloss Acrylic
Creme Brulee HG	Antique White Matte Melamine	White, Grey or Neutral Woodgrain Melamine	Coordinated Gloss PVC	Coordinated Gloss Acrylic	Coordinated Gloss Acrylic
Linear Bronze II HG Linear Silver HG Linear White HG	Coordinated Matte Melamine	White, Grey or Neutral Woodgrain Melamine	Coordinated Gloss PVC	Coordinated Gloss PET	Coordinated Gloss PET
Linear Black HG	Black Matte Melamine	White, Grey or Neutral Woodgrain Melamine	Coordinated Gloss PVC	Coordinated Gloss PET	Coordinated Gloss PET
Midnight HG	Black Matte Melamine	White, Grey or Neutral Woodgrain Melamine	Coordinated Gloss PVC	Coordinated Gloss Acrylic	Coordinated Gloss Acrylic
Powder HG Pure White HG	Glacier White Matte Melamine	White, Grey or Neutral Woodgrain Melamine	Coordinated Gloss PVC	Coordinated Gloss Acrylic	Coordinated Gloss Acrylic
Black Aluminum METAL Stainless Aluminum METAL Nickel Aluminum METAL Brushed Aluminum METAL	Black Matte Melamine	White, Grey or Neutral Woodgrain Melamine	Coordinated PVC	Coordinated Aluminum	Coordinated Aluminum

- HG = High Gloss

# Door Styles : UltraLux

## Edgewater

3/4"-thick, slab door and drawer front. Door has two-tone, V-Groove, laser edgebanding to give the look of a panel laid on an aluminum frame.

- Metal Drawer with Soft Close standard. See page 1.9.
- Not available prepared for glass.
- Specify cabinet interior/exterior: White, Grey or Neutral Woodgrain melamine.
- Due to the nature of all Metallic finishes, parts over 48" wide will show a noticeable color change.
- Metallic portion of Edgewater's V-Groove edgebanding varies slightly between finishes; order door or drawer front sample prior to ordering.
- Dry Erase-certified on non-linear and non-matte finishes.
- Panels will have Coordinated Gloss PVC edgebanding.
- Standard Front Panel is 3/4"-thick Matching UltraLux.



Price Grade
7

Program Summary					
FINISHES	DOOR BACK	STANDARD CABINET INTERIOR & EXTERIOR	FACE FRONT EDGEBANDING	SPECIFIED FINISHED ENDS	STANDARD EXPOSED INTERIOR
Carbon HG Mica Metallic HG	Charcoal Grey Matte Melamine	White, Grey or Neutral Woodgrain Melamine	Coordinated Gloss PVC	Coordinated Gloss Acrylic	Coordinated Gloss Acrylic
Cappuccino HG Champagne Metallic HG Flint HG Naval HG Racing Red HG Sage HG Silver Metallic HG	Grey Matte Melamine	White, Grey or Neutral Woodgrain Melamine	Coordinated Gloss PVC	Coordinated Gloss Acrylic	Coordinated Gloss Acrylic
Creme Brulee HG	Antique White Matte Melamine	White, Grey or Neutral Woodgrain Melamine	Coordinated Gloss PVC	Coordinated Gloss Acrylic	Coordinated Gloss Acrylic
Midnight HG	Black Matte Melamine	White, Grey or Neutral Woodgrain Melamine	Coordinated Gloss PVC	Coordinated Gloss Acrylic	Coordinated Gloss Acrylic
Powder HG Pure White HG	Glacier White Matte Melamine	White, Grey or Neutral Woodgrain Melamine	Coordinated Gloss PVC	Coordinated Gloss Acrylic	Coordinated Gloss Acrylic

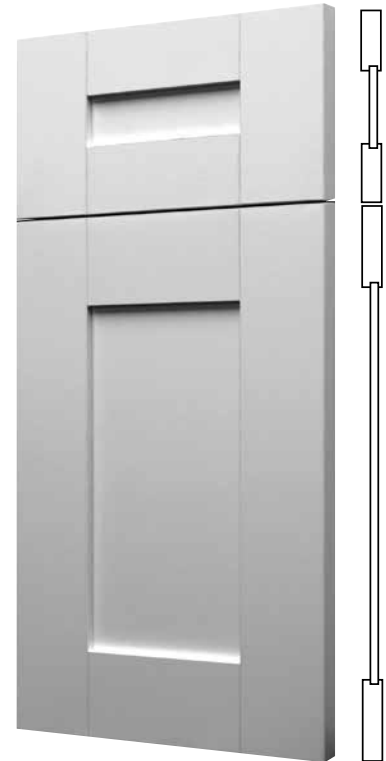
- HG = High Gloss

# Door Styles : UltraLux

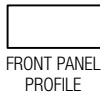
## Hollywood

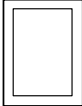
3/4"-thick, mortise and tenon frame with square edge.  
5-piece door and 5-piece drawer front feature 3" rails and stiles and a recessed center panel of MDF.

- Metal Drawer with Soft Close standard. See page 1.9.
- Available prepared for glass; Frame only. Glass not included; see pages 9.11-9.12.
- Specify cabinet interior/exterior: White, Grey or Neutral Woodgrain melamine.
- Dry Erase-certified on non-linear and non-matte finishes.
- Doors 26" wide and over will have double insert panels for stability.
- Doors 48" high and over will have double insert panels for stability.
- Panels will have Matching Gloss PVC edgebanding.
- Standard Front Panel is 3/4"-thick Coordinated Textured Melamine.


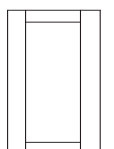
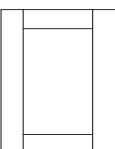
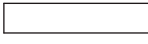
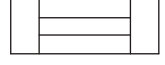
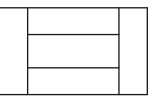


Shown with Standard 5-Piece Matching Drawer Front



Price Grade	Program Summary					
	GLOSS FINISHES	DOOR BACK	BOX	MATTE FINISHES	DOOR BACK	BOX
9	Carbon HG	Matching Gloss Acrylic	STANDARD CABINET INTERIOR & EXTERIOR Specify White, Grey or Neutral Woodgrain Melamine	Reina White UltraMatte	Matching Matte Acrylic	STANDARD CABINET INTERIOR & EXTERIOR Specify White, Grey or Neutral Woodgrain Melamine
	Cappuccino HG Flint HG Naval HG Racing Red HG Sage HG	Matching Gloss Acrylic	FACE FRONT EDGEBANDING Coordinated Gloss PVC	River Stone UltraMatte	Matching Matte Acrylic	FACE FRONT EDGEBANDING Coordinated Matte PVC
	Creme Brulee HG	Matching Gloss Acrylic	STANDARD EXPOSED INTERIOR Coordinated Gloss Acrylic	Black Ops UltraMatte	Matching Matte Acrylic	STANDARD EXPOSED INTERIOR Coordinated Matte Acrylic
	Midnight HG	Matching Gloss Acrylic	SPECIFIED FINISHED ENDS & INTERIORS Coordinated Gloss Acrylic	Naval UltraMatte Sage UltraMatte	Matching Matte Acrylic	SPECIFIED FINISHED ENDS & INTERIORS Coordinated Matte Acrylic
	Powder HG Pure White HG	Matching Gloss Acrylic		 FRAME		

• HG = High Gloss

Door Construction			Drawer Construction		
					
6 <sup>5</sup> / <sub>16</sub> " and narrower Slab	7" to 9 <sup>5</sup> / <sub>16</sub> " wide Recessed Center Panel Standard rails, Reduced stiles (2 <sup>1</sup> / <sub>4</sub> ")	9 <sup>3</sup> / <sub>8</sub> " to 23 <sup>7</sup> / <sub>8</sub> " wide Recessed Center Panel Standard rails and stiles	2 <sup>7</sup> / <sub>8</sub> " to 5 <sup>11</sup> / <sub>16</sub> " high Slab	5 <sup>3</sup> / <sub>4</sub> " to 9 <sup>11</sup> / <sub>16</sub> " high Recessed Center Panel Reduced rails (2 <sup>1</sup> / <sub>4</sub> ") Standard stiles	9 <sup>3</sup> / <sub>4</sub> " to 23 <sup>7</sup> / <sub>8</sub> " high Recessed Center Panel Standard rails and stiles
• Dimensions are for actual door widths and drawer heights. For cabinet size, add 1/8".					



# Door Styles : UltraLux

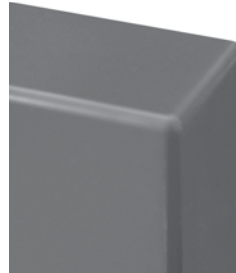
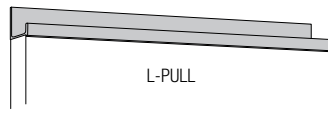
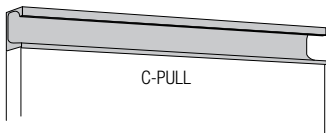
## South Beach

3/4"-thick, slab door and drawer front with matching high-gloss, laser edgebanding.

- Metal Drawer with Soft Close standard. See page 1.9.
- Not available prepared for glass.
- Specify cabinet interior/exterior: White, Grey or Neutral Woodgrain melamine.
- Due to the nature of all Metallic finishes, parts over 48" wide will show a noticeable color change.
- Dry Erase-certified on non-linear and non-matte finishes.
- Panels will have Matching Gloss PVC edgebanding.
- Standard Front Panel is 3/4" -thick Matching UltraLux.
- Available with Integrated C-Pull or L-Pull. See Custom Modification on page 9.1.

**NEW!**

FRONT PANEL PROFILE



**Price Grade**  
7

- HG = High Gloss

Program Summary					
FINISHES	DOOR BACK	STANDARD CABINET INTERIOR & EXTERIOR	FACE FRONT EDGEBANDING	SPECIFIED FINISHED ENDS	STANDARD EXPOSED INTERIOR
Carbon HG Mica Metallic HG	Charcoal Grey Matte Melamine	White, Grey or Neutral Woodgrain Melamine	Coordinated Gloss PVC	Coordinated Gloss Acrylic	Coordinated Gloss Acrylic
Cappuccino HG Champagne Metallic HG Flint HG Naval HG Racing Red HG Sage HG Silver Metallic HG	Grey Matte Melamine	White, Grey or Neutral Woodgrain Melamine	Coordinated Gloss PVC	Coordinated Gloss Acrylic	Coordinated Gloss Acrylic
Creme Brulee HG	Antique White Matte Melamine	White, Grey or Neutral Woodgrain Melamine	Coordinated Gloss PVC	Coordinated Gloss Acrylic	Coordinated Gloss Acrylic
Linear Bronze II HG Linear Silver HG Linear White HG	Coordinated Matte Melamine	White, Grey or Neutral Woodgrain Melamine	Coordinated Gloss PVC	Coordinated Gloss PET	Coordinated Gloss PET
Linear Black HG	Black Matte Melamine	White, Grey or Neutral Woodgrain Melamine	Coordinated Gloss PVC	Coordinated Gloss PET	Coordinated Gloss PET
Midnight HG	Black Matte Melamine	White, Grey or Neutral Woodgrain Melamine	Coordinated Gloss PVC	Coordinated Gloss Acrylic	Coordinated Gloss Acrylic
Powder HG Pure White HG	Glacier White Matte Melamine	White, Grey or Neutral Woodgrain Melamine	Coordinated Gloss PVC	Coordinated Gloss Acrylic	Coordinated Gloss Acrylic
Reina White UltraMatte	Glacier White Matte Melamine	White, Grey or Neutral Woodgrain Melamine	Coordinated Matte PVC	Coordinated Matte Acrylic	Coordinated Matte Acrylic
River Stone UltraMatte	Folkstone Grey Matte Melamine	White, Grey or Neutral Woodgrain Melamine	Coordinated Matte PVC	Coordinated Matte Acrylic	Coordinated Matte Acrylic
Black Ops UltraMatte	Black Matte Melamine	White, Grey or Neutral Woodgrain Melamine	Coordinated Matte PVC	Coordinated Matte Acrylic	Coordinated Matte Acrylic
Naval UltraMatte Sage UltraMatte	Grey Matte Melamine	White, Grey or Neutral Woodgrain Melamine	Coordinated Matte PVC	Coordinated Matte Acrylic	Coordinated Matte Acrylic

# Program Summaries : Metal

## Design Notes

- All Metal door styles are available on Wall cabinets only; not available on Wall cabinets with drawers
- Slimline Aluminum doors with plexiglass insert is not recommended above ranges
- Plywood Option not available
- Tech Glass / Plexiglass is included in door pricing for Slimline, Broadline and Finline door styles

METAL PROGRAM SUMMARY										
DOOR STYLE	MATERIAL	GRAIN DIRECTION DOOR DRAWER	PRICE GRADE	DOOR BACK	STANDARD CABINET INTERIOR & EXTERIOR	FACE FRONT EDGEBANDING	STANDARD EXPOSED INTERIOR	SPECIFIED FINISHED ENDS & INTERIORS	STANDARD DRAWER	DOORS PREPARED FOR GLASS
Broadline Stainless Steel	Stainless Steel-Look Aluminum with Tech Glass Insert <i>option</i>	N/A	9+30%	Stainless Steel-Look Aluminum	White, Grey or Neutral Woodgrain Melamine (must specify)	Coordinated to Match Interior	Coordinated Laminate	Any Color Laminate, Veneer or Melamine	Wood Dovetail with Soft Close	Standard as Frame
Slimline Aluminum	Aluminum with Opaque Plexiglass Insert ( <i>standard</i> ) or Tech Glass Insert ( <i>optional upgrade</i> )	N/A	9 with Plexiglass Insert 9+30% with Tech Glass Insert	Aluminum	White, Grey or Neutral Woodgrain Melamine (must specify)	Coordinated to Match Interior	Coordinated Laminate	Any Color Laminate, Veneer or Melamine	Wood Dovetail with Soft Close	Standard as Frame
Finline Aluminum	Aluminum with Tech Glass Insert <i>option</i>	N/A	9+70%	Aluminum	White, Grey or Neutral Woodgrain Melamine (must specify)	Coordinated to Match Interior	Coordinated Laminate	Any Color Laminate, Veneer or Melamine	Wood Dovetail with Soft Close	Standard as Frame
Broadline Aluminum	Aluminum with Tech Glass Insert <i>option</i>	N/A	9+30%	Aluminum	White, Grey or Neutral Woodgrain Melamine (must specify)	Coordinated to Match Interior	Coordinated Laminate	Any Color Laminate, Veneer or Melamine	Wood Dovetail with Soft Close	Standard as Frame

### TECH GLASS SELECTIONS:

Clear Glass	Soft Etched Glass	Backpainted Soft Etched Glass	Backpainted Patterned Glass
Clarion	Bronze Etch Clarion Etch	Pearl Etch White Etch Black Etch Mirror Etch	Caffe Etch Silk Etch Clarion White <i>Free White Etch</i> Cannes Ashley Grey Timber Black Etch

### TECH GLASS INSERT DESIGN NOTES

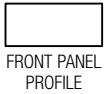
- Tech Glass / Plexiglass is included in door pricing for Slimline, Broadline and Finline door styles
- Cabinet does not come standard with Finished Interior; must specify
- Clear and non-backpainted glass is not available on the Finline Aluminum door style
- It is not recommended to use a Backpainted Tech Glass on a cabinet illuminated from the inside as the paint may appear uneven

# Door Styles : Metal

## Broadline Stainless Steel

*3/4"-thick, mitered door with 2 1/8" square edge rails and stiles. Door comes in frame-style only with a choice of glass inserts.*

- Available for doors only.
- Tech Glass selections are on page 6.1.
- For Clear Glass selections, you must select a Finished Interior
- Finished Interior and Finished Ends are available in any color and must be specified.
- Not available as a solid door.
- For door only, use Additional/Replacement Door pricing on page 9.9.
- Overlay fillers not available.
- Pocket Doors not available.
- Constructed from Aluminum with a "Stainless Steel" finish.
- May be ordered on Tall Cabinets with one door up to 86" maximum height. Order as special.
- Standard Front Panel is 3/4"-thick Coordinated Laminate



FRONT PANEL  
PROFILE

Price Grade
9+30%

Program Summary					
DOOR STYLE / FINISH	DOOR BACK	STANDARD CABINET INTERIOR & EXTERIOR	FACE FRONT EDGEBANDING	SPECIFIED FINISHED ENDS	STANDARD EXPOSED INTERIOR
Broadline Stainless Steel	Stainless Steel-Look Aluminum	White, Grey or Neutral Woodgrain Melamine	Coordinated to Match Interior	Any Color Laminate, Veneer, or Melamine	Coordinated Laminate

### Doors Prepared for Glass



FRAME

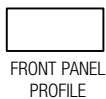
- Doors include choice of Tech Glass
- Inserts are not replaceable

# Door Styles : Metal

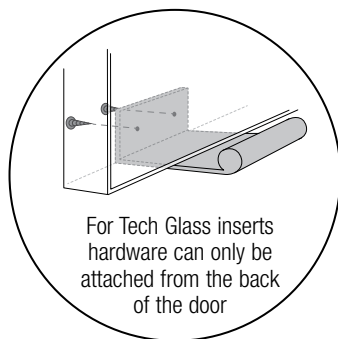
## Slimline Aluminum

3/4"-thick, mitered door with eased edges. Door comes in frame-style with opaque, Plexiglass insert (standard) or Tech Glass insert (optional upgrade).

- Available on Wall cabinets except those with drawers.
- Not recommended above ranges with the Plexiglass insert.
- For Tech Glass inserts, choose either a Touchlatch or Door Overhang. This door cannot be drilled for hardware in the field. Overlapping hardware that secures to the back of the door and fits between the door/drawer reveals is appropriate. (See line drawings below.)
- Finished Interior and Finished Ends are available in any color and must be specified.
- Not available as a solid door.
- For door only, use Additional/Replacement Door pricing on page 9.9.
- Overlay fillers not available.
- Pocket Doors not available.
- May be ordered on Tall Cabinets with one door up to 86" maximum height. Order as special.
- Standard Front Panel is 3/4"-thick Coordinated Laminate



Price Grade	Program Summary					
	DOOR STYLE / FINISH	DOOR BACK	STANDARD CABINET INTERIOR & EXTERIOR	FACE FRONT EDGEBANDING	SPECIFIED FINISHED ENDS	STANDARD EXPOSED INTERIOR
9 with Plexiglass Insert 9+30% with Tech Glass Insert	Slimline Aluminum	Aluminum	White, Grey or Neutral Woodgrain Melamine	Coordinated to Match Interior	Any Color Laminate, Veneer, or Melamine	Coordinated Laminate



### Doors Prepared for Glass



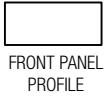
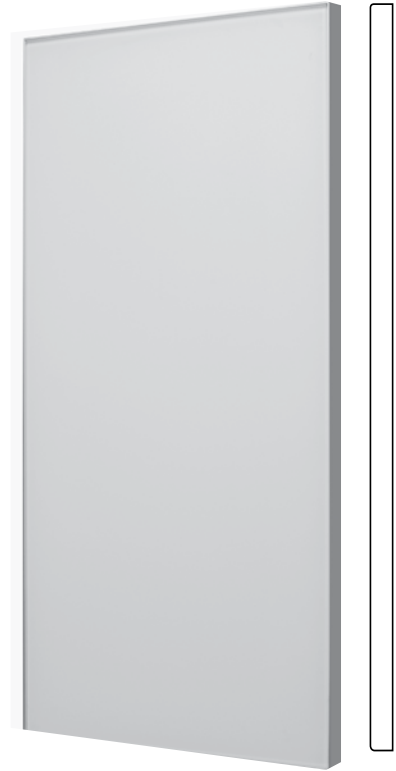
- Doors include opaque, Plexiglass insert or Tech Glass insert option
- Inserts are not replaceable

# Door Styles : Metal

## Fineline Aluminum

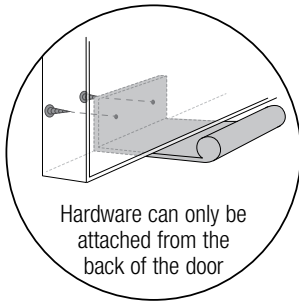
*3/4"-thick, mitered door with 1/16" square edge rails and stiles. Door comes in frame-style only with a choice of glass inserts.*

- Available for doors only.
- Tech Glass selections are on page 6.1.
- Choose either a Touchlatch or Door Overhang. This door cannot be drilled for hardware in the field. Overlapping hardware that secures to the back of the door and fits between the door/drawer reveals is appropriate. (See line drawings below.)
- Finished Interior and Finished Ends are available in any color and must be specified.
- Not available as a solid door.
- For door only, use Additional/Replacement Door pricing on page 9.9.
- Overlay fillers not available.
- Pocket Doors not available.
- May be ordered on Tall Cabinets with one door up to 86" maximum height. Order as special.
- Standard Front Panel is 3/4"-thick Coordinated Laminate

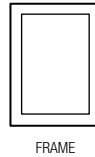


Price Grade
9+70%

Program Summary					
DOOR STYLE / FINISH	DOOR BACK	STANDARD CABINET INTERIOR & EXTERIOR	FACE FRONT EDGEBANDING	SPECIFIED FINISHED ENDS	STANDARD EXPOSED INTERIOR
Fineline Aluminum	Aluminum	White, Grey or Neutral Woodgrain Melamine	Coordinated to Match Interior	Any Color Laminate, Veneer, or Melamine	Coordinated Laminate



### Doors Prepared for Glass



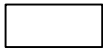
- Doors include choice of Tech Glass
- Inserts are not replaceable

# Door Styles : Metal

## Broadline Aluminum

*3/4"-thick, mitered door with 2 1/8" square edge rails and stiles. Door comes in frame-style only with a choice of glass inserts.*

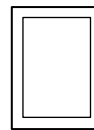
- Available for doors only.
- Tech Glass selections are on page 6.1.
- Finished Interior and Finished Ends are available in any color and must be specified.
- Not available as a solid door.
- For door only, use Additional/Replacement Door pricing on page 9.9.
- Overlay fillers not available.
- Pocket Doors not available.
- May be ordered on Tall Cabinets with one door up to 86" maximum height. Order as special.
- Standard Front Panel is 3/4"-thick Coordinated Laminate



FRONT PANEL  
PROFILE

Price Grade	Program Summary					
	DOOR STYLE / FINISH	DOOR BACK	STANDARD CABINET INTERIOR & EXTERIOR	FACE FRONT EDGEBANDING	SPECIFIED FINISHED ENDS	STANDARD EXPOSED INTERIOR
9+30%	Broadline Aluminum	Aluminum	White, Grey or Neutral Woodgrain Melamine	Coordinated to Match Interior	Any Color Laminate, Veneer, or Melamine	Coordinated Laminate

### Doors Prepared for Glass



FRAME

- Doors include choice of Tech Glass
- Inserts are not replaceable

# Program Summary : Melamine

## Design Notes

- Horizontals: Grain runs vertically on doors over 46 1/2" high, all Tall cabinets except 3-Door Tall Cabinets, all end panels and all finished interiors
- Verticals: Maximum width 46 1/2"; Vertical-grain drawer fronts limited to 46 1/2" wide
- Grain will run along the length of all mouldings
- Finished Ends have vertical grain for all Textured Melamine finishes
- Horizontal & vertical grains cannot be mixed on a cabinet
- Plywood Option not available



MELAMINE PROGRAM SUMMARY											
DOOR STYLE & MATERIAL		GRAIN DIRECTION DOOR DRAWER		PRICE GRADE	DOOR BACK	STANDARD CABINET INTERIOR & EXTERIOR	FACE FRONT EDGE BANDING	STANDARD EXPOSED INTERIOR	SPECIFIED FINISHED ENDS & INTERIORS	STANDARD DRAWER	DOORS PREPARED FOR GLASS
<b>Seneca</b> Melamine square slab door	Matte White	N/A		1	White Melamine	White Melamine	White PVC	White Melamine	White Melamine	Wood Dovetail with Soft Close	Not Available
	Cream	N/A		1	White Melamine	White Melamine	Cream PVC	White- Melamine	Cream Melamine	Wood Dovetail with Soft Close	Not Available
<b>Metropolis</b> Textured Melamine square slab door	Ebony Ash	V or H	V or H	3	Coordinated, not textured	Grey Melamine	Coordinated PVC	Coordinated, not textured	Coordinated, not textured	Wood Dovetail with Soft Close	Not Available
	Argent Oak Burnished Walnut Flame Oak Silver Elm	V or H V or H V or H V or H	V or H V or H V or H V or H	3	Matching Textured Melamine	Grey Melamine	Coordinated PVC	Matching Textured Melamine	Matching Textured Melamine	Wood Dovetail with Soft Close	Not Available
<b>Piper</b> Textured Melamine square slab door	ArchiCrete	V	V	4	Matching Textured Melamine	Grey Melamine	Coordinated PVC	Coordinated Textured Melamine	Coordinated Textured Melamine	Wood Dovetail with Soft Close	Not Available
	Charred	V or H	V or H								
	Cypress Gold	V or H	V or H								
	Deep Burn	V or H	V or H								
	Drift White	V or H	V or H								
	Eclipse	V or H	V or H								
	Glacier	V or H	V or H								
	Himalayan	V or H	V or H								
	Husk	V or H	V or H								
	Kodiak	V or H	V or H								
	Kona	V or H	V or H								
	Light Carbonite	V or H	V or H								
	Pearlized	V or H	V or H								
	Raw Cotton	V or H	V or H								
	Reclaimed Grey	V or H	V or H								
	Rift White Pine	V or H	V or H								
Sienna	V or H	V or H									
Strand Pine	V or H	V or H									
Vineyard Oak	V or H	V or H									
Wired Brown	V or H	V or H									
Wired Silver	V or H	V or H									

continued on next page >>>

# Program Summary : Melamine

## Design Notes

- Horizontals: Grain runs vertically on doors over 46½" high, all Tall cabinets except 3-Door Tall Cabinets, all end panels and all finished interiors
- Verticals: Maximum width 46½"; Vertical-grain drawer fronts limited to 46½" wide
- Grain will run along the length of all mouldings
- Finished Ends have vertical grain for all Textured Melamine finishes
- Horizontal & vertical grains cannot be mixed on a cabinet
- Plywood Option not available

MELAMINE PROGRAM SUMMARY									
DOOR STYLE & MATERIAL	GRAIN DIRECTION DOOR DRAWER	PRICE GRADE	DOOR BACK	STANDARD CABINET INTERIOR & EXTERIOR	FACE FRONT EDGE BANDING	STANDARD EXPOSED INTERIOR	SPECIFIED FINISHED ENDS & INTERIORS	STANDARD DRAWER	DOORS PREPARED FOR GLASS
<p><b>Kitty Hawk</b> Textured Melamine 5-Piece door, Slab Drawer Front standard; Optional 5-Piece Drawer Front available</p> <p>Argent-Oak Pearlized Burnished-Walnut Raw Cotton Drift White Reclaimed Grey Cypress Gold Rift White Pine Eclipse Sienna Glacier Silver-Elm Himalayan Strand Pine Husk  Vineyard Oak Kodiak Wired Brown Kona Wired Silver Light Carbonite</p>	<p>Door: horizontal on rails, vertical on stiles and center panel.</p> <p>5-piece Drawer: horizontal on rails and center panel, vertical on stiles.</p> <p>Slab Drawer: horizontal.</p> <p>Grain direction cannot be altered.</p>	6	Matching Textured Melamine	Grey Melamine	Coordinated PVC	Coordinated Textured Melamine	Coordinated Textured Melamine	Wood Dovetail with Soft Close	Frame Only
<p><b>Martin</b> Textured Melamine 3-Piece door with Slab Drawer Front</p> <p>Argent-Oak Raw Cotton Burnished-Walnut Reclaimed Grey Drift White Rift White Pine Cypress Gold Silver-Elm Husk Strand Pine Kodiak  Vineyard Oak Kona Wired Brown Light Carbonite Wired Silver Pearlized</p>	<p>Door and Drawer Front: vertical on stiles, horizontal on center panel.</p> <p>Grain direction cannot be altered.</p>	5	Matching Textured Melamine	Grey Melamine	Coordinated PVC	Coordinated Textured Melamine	Coordinated Textured Melamine	Wood Dovetail with Soft Close	Not Available

<<< continued from previous page



# Door Styles : Melamine

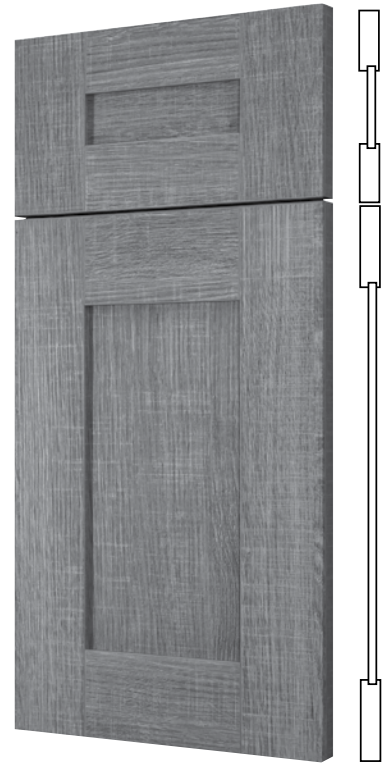
## Kitty Hawk

3/4"-thick, Textured Melamine, 5-piece door and optional 5-piece drawer front feature 3" rails and stiles and a recessed center panel. Edgebanding along the top and bottom is continuous along all three pieces. Slab drawer front with horizontal grain is standard.

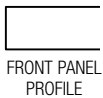
- Doors 26" wide and over will have double insert panels for stability.
- Doors 48" high and over will have double insert panels for stability.
- Grain direction cannot be altered.
- Available prepared for glass; Frame only.
- Finished Ends have vertical grain for all Textured Melamine finishes.
- Grain will run along the length of all mouldings.
- Standard Front Panel is 3/4"-thick Coordinated Textured Melamine.



Shown with Standard Drawer Front



Shown with optional 5-Piece Matching Drawer Front  
\$89.00 List Each



Price Grade
6

Program Summary							
FINISHES			DOOR BACK	STANDARD CABINET INTERIOR & EXTERIOR	FACE FRONT EDGEBANDING	SPECIFIED FINISHED ENDS	STANDARD EXPOSED INTERIOR
Argent-Oak	Husk	Rift White Pine	Matching Textured Melamine	Grey Melamine	Coordinated PVC	Coordinated Textured Melamine	Coordinated Textured Melamine
Burnished-Walnut	Kodiak	Sienna					
Cypress Gold	Kona	Silver-Elm					
Drift White	Light Carbonite	Strand Pine					
Eclipse	Pearlized	<b>NEW</b> Vineyard Oak					
Glacier	Raw Cotton	Wired Brown					
Himalayan	Reclaimed Grey	Wired Silver					

- Finished ends are available at no charge for exposed ends **only** and must be specified. See page 9.1.

Door / Drawer Construction					
Door Construction			Drawer Construction		
8 <sup>3</sup> / <sub>4</sub> " and narrower Slab; vertical grain	8 <sup>13</sup> / <sub>16</sub> " to 9 <sup>11</sup> / <sub>16</sub> " wide Recessed Center Panel Standard rails Reduced stiles (2 <sup>9</sup> / <sub>16</sub> ")	9 <sup>3</sup> / <sub>4</sub> " to 23 <sup>7</sup> / <sub>8</sub> " wide Recessed Center Panel Standard rails and stiles	2 <sup>7</sup> / <sub>8</sub> " to 5 <sup>11</sup> / <sub>16</sub> " high Slab; horizontal grain	5 <sup>3</sup> / <sub>4</sub> " to 9 <sup>11</sup> / <sub>16</sub> " high Recessed Center Panel Reduced rails (2 <sup>1</sup> / <sub>4</sub> ") Standard stiles	9 <sup>3</sup> / <sub>4</sub> " to 23 <sup>7</sup> / <sub>8</sub> " high Recessed Center Panel Standard rails and stiles

- Dimensions are for actual door widths and drawer heights. For cabinet size, add 1/8" to door or drawer dimension.

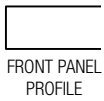
Doors Prepared for Glass	
	<ul style="list-style-type: none"> <li>• Doors prepared for glass do <b>not</b> include glass. Order glass on pages 9.11-9.12.</li> </ul>

# Door Styles : Melamine

## Martin

3/4"-thick, Textured Melamine, 3-piece door and drawer front feature 3" stiles with vertical grain and a flat center panel with horizontal grain. Edgebanding along the top and bottom is continuous along all three pieces.

- Not available prepared for glass.
- Grain direction cannot be altered.
- Finished Ends have vertical grain for all Textured Melamine finishes.
- Grain will run along the length of all mouldings.
- Standard Front Panel is 3/4"-thick Coordinated Textured Melamine.



Price Grade
5

Program Summary							
FINISHES			DOOR BACK	STANDARD CABINET INTERIOR & EXTERIOR	FACE FRONT EDGEBANDING	SPECIFIED FINISHED ENDS	STANDARD EXPOSED INTERIOR
Argent-Oak	Kodiak	Rift White Pine	Matching Textured Melamine	Grey Melamine	Coordinated PVC	Coordinated Textured Melamine	Coordinated Textured Melamine
Burnished-Walnut	Kona	Silver-Elm					
Cypress Gold	Light Carbonite	Strand Pine					
Drift White	Pearlized	Vineyard Oak					
Husk	Raw Cotton	Wired Brown					
	Reclaimed Grey	Wired Silver					

- Finished ends are available at no charge for exposed ends **only** and must be specified. See page 9.1.

Door / Drawer Construction	
Door Construction	Drawer Construction
<p>8<sup>3</sup>/<sub>4</sub>" and narrower Slab; horizontal grain</p> <p>8<sup>13</sup>/<sub>16</sub>" to 23<sup>7</sup>/<sub>8</sub>" wide Standard stiles</p>	<p>3" to 5" high Slab; horizontal grain</p> <p>5<sup>1</sup>/<sub>16</sub>" to 23<sup>7</sup>/<sub>8</sub>" high Standard stiles</p>

- Dimensions are for actual door widths and drawer heights. For cabinet size, add 1/8" to door or drawer dimension.

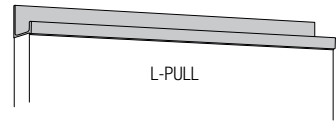
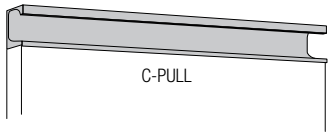
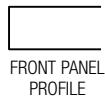
# Door Styles : Melamine

## Metropolis

3/4"-thick, slab door & drawer front with square edges.

- Not available prepared for glass.
  - Available in both Horizontal and Vertical grain directions.
  - Finished Ends have vertical grain for all Textured Melamine finishes.
  - Horizontals: Grain runs vertically on doors over 46½" high, all Tall cabinets except 3-Door Tall Cabinets, all End Panels and all Finished Interiors.
  - Verticals: Maximum width 46½"; Vertical-grain drawer fronts limited to 46½" wide.
  - Grain will run along the length of all mouldings.
  - Standard Front Panel is 3/4"-thick Coordinated Textured Melamine.
  - Available with Integrated C-Pull or L-Pull.
- See Custom Modification on page 9.1.

**NEW!**



Price Grade
3

Program Summary					
FINISHES	DOOR BACK	STANDARD CABINET INTERIOR & EXTERIOR	FACE FRONT EDGEBANDING	SPECIFIED FINISHED ENDS	STANDARD EXPOSED INTERIOR
Ebony Ash	Coordinated, not Textured	Grey Melamine	Coordinated PVC	Coordinated, not Textured	Coordinated, not Textured
Argent Oak Silver Elm Flame Oak Burnished Walnut	Matching Textured Melamine	Grey Melamine	Coordinated PVC	Matching Textured Melamine	Matching Textured Melamine

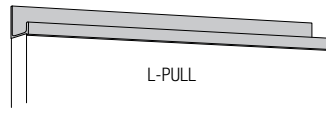
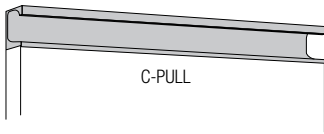
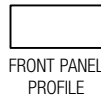
- Finished ends are available at no charge for exposed ends **only** and must be specified. See page 9.1.

# Door Styles : Melamine

## Piper

3/4"-thick, slab door & drawer front with square edges.

- Not available prepared for glass.
  - Available in both Horizontal and Vertical grain directions.
  - Finished Ends have vertical grain for all Textured Melamine finishes.
  - Horizontals: Grain runs vertically on doors over 46½" high, all Tall cabinets except 3-Door Tall Cabinets, all End Panels and all Finished Interiors.
  - Verticals: Maximum width 46½"; Vertical-grain drawer fronts limited to 46½" wide.
  - Grain will run along the length of all mouldings.
  - Standard Front Panel is 3/4"-thick Coordinated Textured Melamine.
  - Available with Integrated C-Pull or L-Pull.
- See Custom Modification on page 9.1.



**NEW!**

Price Grade
4

Program Summary					
FINISHES	DOOR BACK	STANDARD CABINET INTERIOR & EXTERIOR	FACE FRONT EDGEBANDING	SPECIFIED FINISHED ENDS	STANDARD EXPOSED INTERIOR
Archicrete Charred Cypress Gold Deep Burn Drift White Eclipse Glacier Himalayan Husk Kodiak Kona Light Carbonite Pearlized Raw Cotton Reclaimed Grey Rift White Pine Sienna Strand Pine <b>NEW!</b> Vineyard Oak Wired Brown Wired Silver	Matching Textured Melamine	Grey Melamine	Coordinated PVC	Coordinated Textured Melamine	Coordinated Textured Melamine

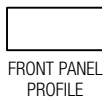
- Finished ends are available at no charge for exposed ends **only** and must be specified. See page 9.1.

# Door Styles : Melamine

## Seneca

3/4"-thick, slab door & drawer front with square edges.

- Not available prepared for glass.
- Standard Front Panel is 3/4"-thick Coordinated Melamine.



Price Grade	Program Summary					
1	FINISHES	DOOR BACK	STANDARD CABINET INTERIOR & EXTERIOR	FACE FRONT EDGE BANDING	SPECIFIED FINISHED ENDS	STANDARD EXPOSED INTERIOR
	Matte White	White Melamine	White Melamine	White PVC	White Melamine	White Melamine
	Cream	White Melamine	White Melamine	Cream PVC	Cream Melamine	White Melamine

- Finished ends are available at no charge for exposed ends **only** and must be specified. See page 9.1.

# Program Summaries : Eurotek

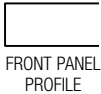
EUROTEK PROGRAM SUMMARY											
DOOR STYLE	PRICE GRADE	FINISHES	GRAIN DIRECTION DOOR DRAWER		DOOR BACK	STANDARD CABINET INTERIOR & EXTERIOR	FACE FRONT EDGE BANDING	STANDARD EXPOSED INTERIOR	SPECIFIED FINISHED ENDS & INTERIORS	STANDARD DRAWER	DOORS PREPARED FOR GLASS
Cape May Clermont	3	Alabaster Bright White	N/A	N/A	Eurotek Veneer	Neutral Woodgrain Melamine	Coordinated PVC	Coordinated Melamine	Coordinated Melamine	Wood Dovetail Drawer with Soft Close	Frame
	3	Espresso Grey Mist Grey Opal White Cypress	V N/A	H N/A	Eurotek Veneer	Neutral Woodgrain Melamine	Coordinated PVC	Coordinated Eurotek	Coordinated Eurotek	Wood Dovetail Drawer with Soft Close	Frame
Jamestown	3	<b>Bisque</b> Dove White	N/A	N/A	Eurotek Veneer	Neutral Woodgrain Melamine	Coordinated PVC	Coordinated Melamine	Coordinated Melamine	Wood Dovetail Drawer with Soft Close	Frame
Lakehurst	1	Alabaster Bright White	N/A	N/A	Eurotek Veneer	Neutral Woodgrain Melamine	Coordinated PVC	Coordinated Melamine	Coordinated Melamine	Wood Dovetail Drawer with Soft Close	Not Available
Philadelphia	4	<b>Bisque</b> Dove White	N/A	N/A	Eurotek Veneer	Neutral Woodgrain Melamine	Coordinated PVC	Coordinated Melamine	Coordinated Melamine	Wood Dovetail Drawer with Soft Close	Frame

# Door Styles : Eurotek

## Cape May

3/4"-thick, recessed-panel door with eased outside edges, and 3"-wide rails and stiles.

- Slab drawer front not available
- Doors under 7" wide are not available
- Drawer fronts under 5<sup>13</sup>/<sub>16</sub>" are not available
- Standard Oven and Microwave Oven Panels are 3/4"-thick, in the same material as finished ends, with the following outside edge profile:



Price Grade	Program Summary						
	FINISHES	DOOR GRAIN DIRECTION	DRAWER GRAIN DIRECTION	DOOR BACK	STANDARD CABINET INTERIOR & EXTERIOR	FACE FRONT EDGEBANDING	SPECIFIED FINISHED ENDS & STANDARD EXPOSED INTERIOR
3	Grey Mist Grey Opal White Cypress Espresso	N/A Vertical Vertical Vertical	N/A Horizontal Horizontal Horizontal	Eurotek Veneer	Neutral Woodgrain Melamine	Coordinated PVC	Coordinated Eurotek
	Alabaster Bright White	N/A N/A	N/A N/A	Eurotek Veneer	Neutral Woodgrain Melamine	Coordinated PVC	Coordinated Melamine

Door / Drawer Construction	
Door Construction	Drawer Construction
<p>7" to 8<sup>7</sup>/<sub>16</sub>" wide Recessed Center Panel Standard rails Reduced stiles (2<sup>1</sup>/<sub>4</sub>")</p> <p>8<sup>1</sup>/<sub>8</sub>" to 23<sup>7</sup>/<sub>8</sub>" wide Recessed Center Panel Standard rails and stiles</p>	<p>5<sup>13</sup>/<sub>16</sub>" to 8<sup>11</sup>/<sub>16</sub>" high Recessed Center Panel Reduced rails (2<sup>1</sup>/<sub>4</sub>") Standard stiles Horizontal grain insert</p> <p>8<sup>3</sup>/<sub>4</sub>" to 23<sup>7</sup>/<sub>8</sub>" high Recessed Center Panel Standard rails and stiles Vertical grain insert</p>

- Dimensions are for actual door widths and drawer heights. For cabinet size, add 1/8" to door or drawer dimension.

### Doors Prepared for Glass

FRAME

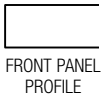
- Doors prepared for glass do **not** include glass. Order glass on pages 9.11-9.12.

# Door Styles : Eurotek

## Clermont

3/4"-thick, recessed-panel door with eased outside edges, and 2 1/4"-wide rails and stiles.

- Slab drawer front not available
- Doors under 7" wide are not available
- Drawer fronts under 5<sup>13</sup>/<sub>16</sub>" are not available
- Standard Oven and Microwave Oven Panels are 3/4"-thick, in the same material as finished ends, with the following outside edge profile:



Price Grade	Program Summary						
	FINISHES	DOOR GRAIN DIRECTION	DRAWER GRAIN DIRECTION	DOOR BACK	STANDARD CABINET INTERIOR & EXTERIOR	FACE FRONT EDGEBANDING	SPECIFIED FINISHED ENDS & STANDARD EXPOSED INTERIOR
3	Grey Mist Grey Opal White Cypress Espresso	N/A Vertical Vertical Vertical	N/A Horizontal Horizontal Horizontal	Eurotek Veneer	Neutral Woodgrain Melamine	Coordinated PVC	Coordinated Eurotek
	Alabaster Bright White	N/A N/A	N/A N/A	Eurotek Veneer	Neutral Woodgrain Melamine	Coordinated PVC	Coordinated Melamine

Door / Drawer Construction	
Door Construction	Drawer Construction
<p>7" to 23<sup>7</sup>/<sub>8</sub>" wide Recessed Center Panel Standard rails and stiles</p>	<p>5<sup>13</sup>/<sub>16</sub>" to 23<sup>7</sup>/<sub>8</sub>" high Recessed Center Panel Standard rails and stiles</p>

- Dimensions are for actual door widths and drawer heights. For cabinet size, add 1/8" to door or drawer dimension.

### Doors Prepared for Glass

FRAME

- Doors prepared for glass do **not** include glass. Order glass on pages 9.11-9.12.

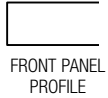


# Door Styles : Eurotek

## Jamestown

3/4"-thick, recessed-panel door with eased outside edges, and 3 1/8"-wide rails and stiles.

- Standard Oven and Microwave Oven Panels are 3/4"-thick Coordinated Melamine with the following outside edge profile:



Price Grade	Program Summary						
	FINISHES	DOOR GRAIN DIRECTION	DRAWER GRAIN DIRECTION	DOOR BACK	STANDARD CABINET INTERIOR & EXTERIOR	FACE FRONT EDGEBANDING	SPECIFIED FINISHED ENDS & STANDARD EXPOSED INTERIOR
3	Bisque	N/A	N/A	Eurotek Veneer	Neutral Woodgrain-Melamine	Coordinated PVC	Coordinated-Melamine
	Dove White	N/A	N/A	Eurotek Veneer	Neutral Woodgrain Melamine	Coordinated PVC	Coordinated Melamine

Drawer Construction			
<p>3 7/8" high Slab Horizontal insert grain</p>	<p>5 13/16" to 6 1/8" high Recessed Center Panel Reduced rails (1 3/4") Standard stiles Horizontal grain insert</p>	<p>8 1/16" to 9 15/16" high Recessed Center Panel Reduced rails (1 3/4") Standard stiles Vertical grain insert</p>	<p>9 15/16" to 23 7/8" high Recessed Center Panel Standard rails Standard stiles Vertical grain insert</p>
<p>• Dimensions are for actual door widths and drawer heights. For cabinet size, add 1/8" to door or drawer dimension.</p>			

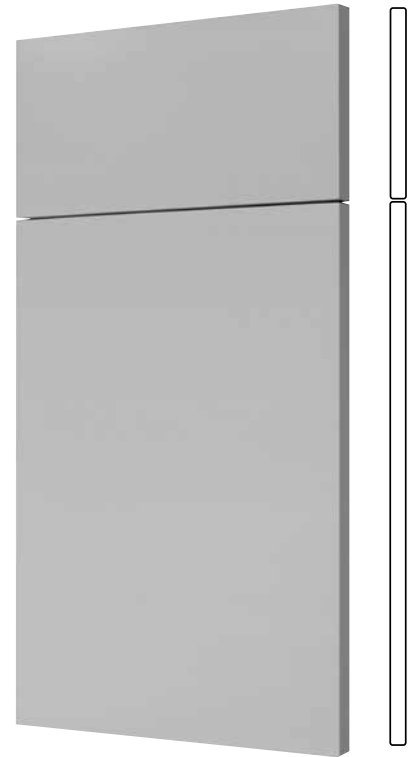
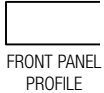
Doors Prepared for Glass
<p>FRAME</p> <p>• Doors prepared for glass do <b>not</b> include glass. Order glass on pages 9.11-9.12.</p>

# Door Styles : Eurotek

## Lakehurst

3/4"-thick, slab door and drawer front with square edges.

- Not available prepared for glass
- Standard Oven and Microwave Oven Panels are 3/4"-thick Coordinated Melamine with the following outside edge profile:



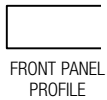
Price Grade	Program Summary						
	FINISHES	DOOR GRAIN DIRECTION	DRAWER GRAIN DIRECTION	DOOR BACK	STANDARD CABINET INTERIOR & EXTERIOR	FACE FRONT EDGEBANDING	SPECIFIED FINISHED ENDS & STANDARD EXPOSED INTERIOR
1	Alabaster Bright White	N/A N/A	N/A N/A	Eurotek Veneer	Neutral Woodgrain Melamine	Coordinated PVC	Coordinated Melamine

# Door Styles : Eurotek

## Philadelphia

3/4"-thick, recessed-panel door with eased outside edges, ogee inside edge and 3 1/8"-wide rails and stiles.

- Frame-style prepared for glass includes inside frame detail.
- Standard Oven and Microwave Oven Panels are 3/4"-thick Coordinated Melamine with the following outside edge profile:



Price Grade	Program Summary						
	FINISHES	DOOR GRAIN DIRECTION	DRAWER GRAIN DIRECTION	DOOR BACK	STANDARD CABINET INTERIOR & EXTERIOR	FACE FRONT EDGEBANDING	SPECIFIED FINISHED ENDS & STANDARD EXPOSED INTERIOR
4	Bisque	N/A	N/A	Eurotek Veneer	Neutral Woodgrain Melamine	Coordinated PVC	Coordinated Melamine
	Dove White	N/A	N/A	Eurotek Veneer	Neutral Woodgrain Melamine	Coordinated PVC	Coordinated Melamine

Drawer Construction		
<p>37/8" high Slab</p>	<p>5 11/16" to 6 1/8" high Recessed Center Panel Reduced rails (1 3/4") Standard stiles</p>	<p>8 11/16" to 23 7/8" high Recessed Center Panel Standard rails Standard stiles</p>
<p>• Dimensions are for actual door widths and drawer heights. For cabinet size, add 1/8" to door or drawer dimension.</p>		

Doors Prepared for Glass	
<p>FRAME</p>	<p>• Doors prepared for glass do <b>not</b> include glass. Order glass on pages 9.11-9.12.</p>

# Custom Modifications : Construction Options

### All-Plywood Construction Option

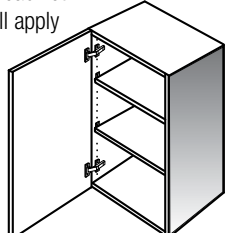
	List Price
Wood	12% Upcharge
Thermofoil, UltraLux	15% Upcharge

- 5/8"-thick plywood on all parts
- Standard woodgrain melamine interior
- Height limited to 102"
- Available only on cabinets with Wood, Thermofoil and UltraLux door styles
- Walnut and Bamboo are only available on Plywood. Upcharge is added to all orders
- Please specify "Plywood Construction" on Order Form

### Finished Ends

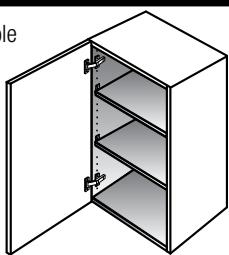
Finished Ends are available at **NO CHARGE** and **MUST BE SPECIFIED**

- Finished Ends are included in the price of the cabinet
- Available on exposed ends only or charges will apply
- All orders with more than 10 Finished Ends specified must be accompanied by drawings or orders will be held
- Finished Ends for Medicine Cabinets are available standard
- See Program Summaries in Door Sections for Finished End material



### Finished Interiors

- Factory-installed Finished Interiors are available on all cabinets and must be specified
- See Program Summary charts for available materials. **Finished interiors on all horizontal grained Thermofoils will run vertically**
- Cabinets with Finished Interiors do not have center support stile



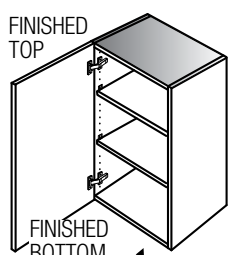
	Textured Eurotek	Standard Melamine	Premium Thermofoil	Stain Finish Thermofoil	Laminate Wood Veneer	Laminate For Metal	UltraLux
FIN.-INTERIOR-W/M	234	234	234	648	490	648	648
FIN.-INTERIOR-B/V/VT	268	268	268	811	612	811	811
FIN.-INTERIOR-T	337	337	337	1294	979	1294	1294

W = Wall Cabinet    B = Base Cabinet    T = Tall Cabinet or Linen Cabinet  
 V = 32 1/2" Vanity Cabinet    VT = 34 1/2" Vanity Cabinet    M = Medicine Cabinet

### Finished Top / Bottom

SKU	List Price
FINISHED TOP/BOTTOM	15%

- Available on Wall or Tall cabinets only
- Both top and bottom will be finished in the same material as Finished End
- Only the top will be finished on Tall cabinets
- When ordered in conjunction with the Recessed Bottom option, the inside of the cabinet sides underneath will not be finished unless ordered on a cabinet with doors prepared for glass or Finished Interior.



### Drawer Options

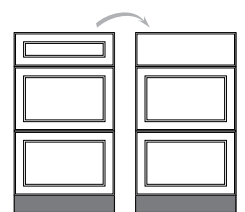
	Price Per Drawer
Wood Dovetail Drawer with Soft Close in Walnut	360
Metal Drawer with Soft Close	135
Metal Drawer with Soft Close and Touch-To-Open	
For cabinets that come standard with Wood Dovetail Drawer with Soft Close	410
For cabinets that come standard with Metal Drawer with Soft Close	275

- Wood Dovetail Drawer with Soft Close in Birch is the standard drawer for all finishes and door styles except UltraLux
- Metal Drawer with Soft Close is the standard drawer for cabinets with UltraLux door styles, and an upgrade for cabinets with all other door styles
- Metal Drawer with Soft Close and Touch-To-Open is an upgrade for cabinets with any door style. Touch-To-Open allows you to open the drawer by pressing the drawer front; no need for decorative hardware
- See page 1.9 for limitations and restrictions on Metal Drawer with Soft Close and Metal Drawer with Soft Close and Touch-To-Open

### 5-Piece Matching Drawer Front with Slab Top Drawer

	Price Per 5-Piece Drawer Front
TOPDRWSLAB	89

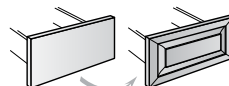
- Top drawer will have Slab Drawer Front while all other drawers have 5-piece Drawer Front
- **Not available for Cape May and Clermont door styles**
- Customer is charged for all 5-piece Drawer Front Upgrades except the top drawer
- This option is no charge for door styles with 5-piece Drawer Front standard
- Available on a Base cabinet top drawer that is 6 1/8" high
- Available for the 6 1/8" high top drawer of a Tall cabinet with drawers in the 'base cabinet' position; order as a "Special"
- Apply modification per cabinet, not globally for the entire order



### 5-Piece Matching Drawer Front

	Price Per Drawer
	89

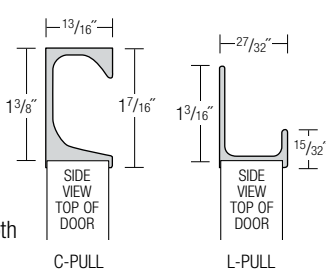
- See Door Styles section for availability



### NEW Integrated Pull

	C-Pull	L-Pull
Per Door	45	30
Per Drawer	45	30

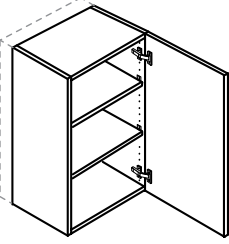
- Matte finish aluminum pulls available on Metropolis, Piper, South Beach and Acrilux II
- For upper doors, pull will be at the bottom of the door; for lower doors, pull will be at the top of the door; pull will always be at the top of a drawer front
- Minimum drawer front: height = 6 1/8", width = 9"
- Specify pulls on door, drawer or both
- Not available on upper portion of the bi-fold door (HBFW)
- On DCB the pull will be on the top of the false drawer front only



# Custom Modifications : Dimension and Configuration Options

- All dimension modifications are the minimum or maximum allowable.
- We reserve the right to refuse combined dimension modifications.

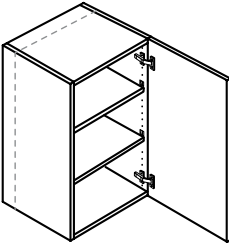
### Reduce Depth



	Wall, Base & Tall
Standard Cabinet	No Charge
Corner Cabinet	No Charge

- Reduce the depth of a standard cabinet
- Cabinets without drawers or pull-outs can be reduced to 5"
- Cabinets with drawers can be reduced to 12"
- Next smaller drawer box will be used
- Cabinets with Pull-outs can be reduced to 15"

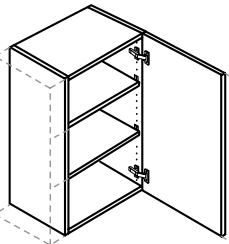
### Increase Depth



	Wall, Base & Tall
Standard Cabinet	No Charge
Corner Cabinet	No Charge

- Increase the depth of a standard cabinet
- Wall cabinets can be increased to 27"
- Base and Talls can be increased to 27"
- Will not change drawer or pull-out depth
- Walls with increased depth may require additional support on cabinet sides

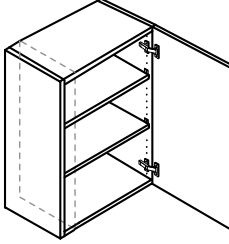
### Reduce Width



	Wall, Base & Tall
Standard Cabinet	No Charge
Corner Cabinet	No Charge

- Reduce the width of a standard cabinet
- Cabinets can be reduced to 6"
- Cabinets less than 9" wide have door limitations, see door section for availability

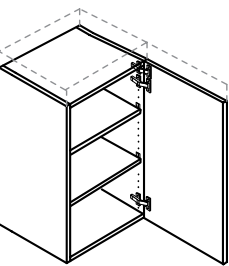
### Increase Width



	Wall, Base & Tall
Standard Cabinet	No Charge
Corner Cabinet	No Charge

- Increase the width of a standard cabinet
- Walls and standard Bases can be increased to 48"; Drawer Bases cannot be increased above the largest standard size noted in the Specifications Guide
- Tall cabinets can be increased to 36"
- Drawers/pull-outs can be increased to 36"
- Single door cabinets cannot be increased more than 24"

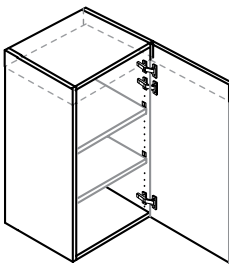
### Reduce Height



	Wall, Base & Tall
Standard Cabinet	No Charge
Corner Cabinet	No Charge

- Reduce the height of a standard cabinet
- Cabinets can be reduced to 10"
- For Tall cabinets, height is taken from upper section

### Increase Height



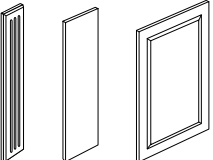
Cabinet	List Price
Standard Wall up to 48"	No Charge
Standard Wall 48 <sup>1</sup> / <sub>16</sub> "-60"	184
Stacked Wall 48 <sup>1</sup> / <sub>16</sub> "-60"	184
Corner Wall up to 48"	No Charge
Corner Wall 48 <sup>1</sup> / <sub>16</sub> "-60"	215
Corner Stacked Wall 48 <sup>1</sup> / <sub>16</sub> "-60"	215
Standard Base	No Charge
Standard Tall up to 102"	No Charge
Standard Tall 102"-120"	See Chart
Corner Base	No Charge

### Increase or Reduce 2 or 3 Dimensions

A combined modification of any two, or any three, dimensions to a standard cabinet.

	Wall, Base & Tall
	No Charge

### Accessory Modifications



	Accessory Charge
Add an Accessory Charge to all non-cabinet modifications.	35%

### Additional Drawers

	Engineering Charge
• Add drawers to a standard cabinet	459
• Maximum 5 drawers for a Base cabinet	Plus Per Drawer Charge
• Top drawer front is 6 <sup>1</sup> / <sub>8</sub> "	
Wood Dovetail Drawer with Soft Close in Birch .....	118
Wood Dovetail Drawer with Soft Close in Walnut .....	360
Metal Drawer with Soft Close .....	253

### Standard Tall Cabinet 102"-120"

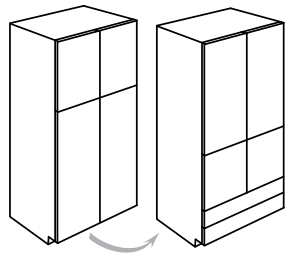
Price Grade	1	2	3	4	5	6	7	8	9
For Cabinets up to and including 21" wide:	759	794	829	874	909	949	1009	1059	1119
For Cabinets over 21" wide up to 36" wide:	859	899	949	1009	1059	1119	1199	1269	1349

- Increase the height of a standard cabinet
- Wall cabinets can be increased to 60"; Base cabinets can be increased to 48"; Tall Wood cabinets can be increased to 120"
- For Tall cabinets, height is added to upper section
- Tall cabinets over 102" high, top section must be in stacked configuration; drawing required
- When stacked cabinets are increased in height, the top section will remain as noted. If stacked cabinets over 60" are required (max height of 66") drawings are required. Use Stacked Cabinet pricing and Stacked Cabinet Modification Order Form on [OneTouch](#).

# Custom Modifications : Dimension and Configuration Options

- All dimension modifications are the minimum or maximum allowable.
- We reserve the right to refuse combined dimension modifications.

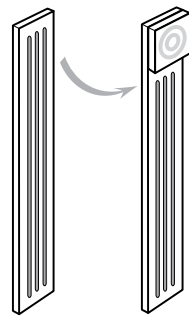
### Reconfigure Doors & Drawers



Engineering Charge
459 plus Additional Drawers charge if applicable

- Reposition door and drawer locations, specify exact door and drawer dimensions, or reconfigure a standard cabinet
- **Drawing required**

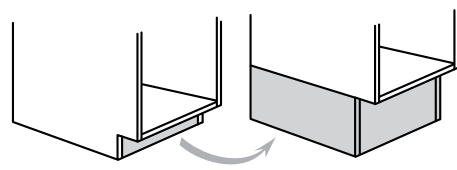
### Variable Height Fluting



SKU	List Price
VARHFLUTE	50% Upcharge

Change the space above and/or below fluting on Fillers and Columns to accommodate Rosettes, Onlays or Corbels. Available for Wood only.

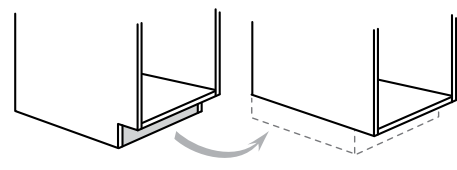
### Increase or Reduce Toe Kick Height



Price Per Cabinet
267

- Change the height of the Toe Kick
- Does not affect the overall height of the cabinet unless specified
- The Toe Kick is built as a platform for easy installation
- **Specify overall cabinet dimensions**

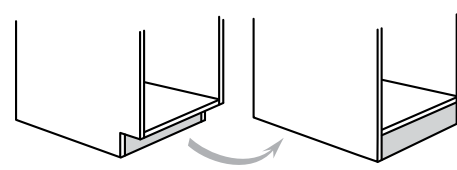
### Delete Toe Kick



Price Per Cabinet
154

- Eliminate the Toe Kick
- Reduce the cabinet height by 4 1/4"
- See page 14.1 for Toe Kick Platform

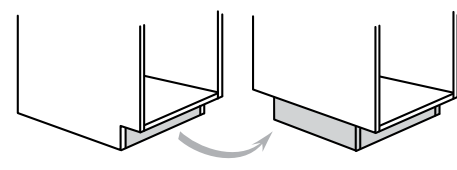
### Flush Toe Kick



Price Per Cabinet
247

- Eliminate the Toe Kick notch
- Not finished

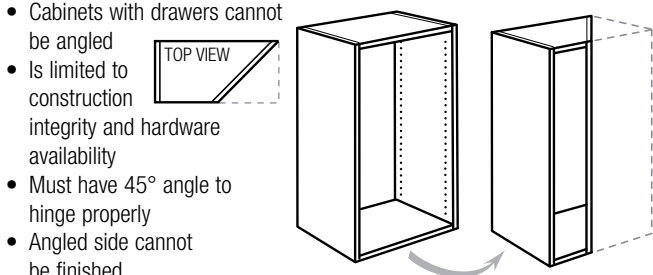
### Recess Toe Kick



Price Per Cabinet
225

- Add clearance on one or more sides of a standard cabinet Toe Kick
- The Toe Kick is built as a platform for easy installation
- See page 14.1 for Toe Kick Platform for cabinet built without Toe Kick

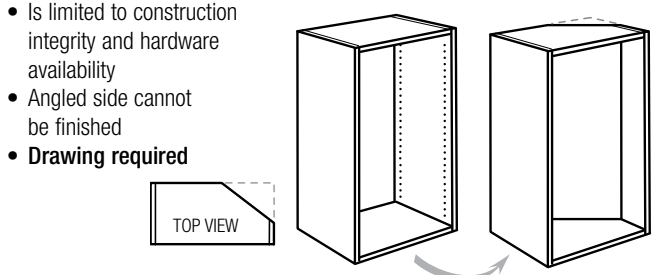
### Angle Front 45°



Wall	Base	Tall
907	1130	N/A

- Reduce the width of the face of any standard cabinet to create an angle on one side
- Cabinets with drawers cannot be angled
- Is limited to construction integrity and hardware availability
- Must have 45° angle to hinge properly
- Angled side cannot be finished
- **Drawing required**

### Angle Back 45°



Wall	Base	Tall
871	1109	N/A

- Clip the back corner of any standard cabinet
- Cabinets with drawers cannot be angled
- Is limited to construction integrity and hardware availability
- Angled side cannot be finished
- **Drawing required**

# Custom Modifications : Dimension and Configuration Options

- All dimension modifications are the minimum or maximum allowable.
- We reserve the right to refuse combined dimension modifications.

### Full-Height Door Option

Add Suffix	List Price
FH	No Charge

- Extend the door to the top of the cabinet
- Eliminates the drawer
- Adds one adjustable shelf

### Eliminate Line Boring

- Eliminate the Line Boring on any cabinet
- No shelves will be shipped with cabinets without line boring
- Does not eliminate Hinge Boring
- If used in conjunction with Eliminate Hinge Boring, only one Engineering Charge will be used

Engineering Charge	List Price
NO LINE BORING	459

### Eliminate Hinge Boring

- Eliminate the Hinge Boring on any cabinet
- Does not eliminate Line Boring
- If used in conjunction with Eliminate Line Boring, only one Engineering Charge will be used
- Sink Base cabinets do not come with line boring standard

Engineering Charge	List Price
NO HINGE BORING	459

### Split Top Drawer

- Split the top drawer of a Base or Vanity into two working drawers of equal width
- Requires additional stretcher and reduces storage height beneath the drawers by 2 1/4"
- Drawer must be of equal size
- Top drawer only
- Minimum drawer height = 6 1/8"; maximum drawer height = 14 15/16"
- Minimum cabinet width = 24"; maximum cabinet width = 38 15/16"

List Price
248

### Cabinets Without Doors / Drawer Fronts

- Includes drawer system
- Finished Interior is not included; if needed, please specify and add Finished Interior upcharge

List Price
Price Group 1

### Door Overhang with Side Extended Down

- Decrease the height of a standard Wall cabinet by 1 1/4" allowing door and one, both or no sides to remain extended
- Door height remains the same
- Available on Wall cabinets only
- Not available on cabinets with appliance panels
- Submit Door Overhang with Side Extended Down Modification Form with order; see OneTouch.
- If a taller door is needed, increase the cabinet box height then apply the Door Overhang option
- If combined with Finished Bottom modification, the visible inside bottom section of the extended side (See "A" below) will match the interior of the cabinet; either standard interior or Finished Interior as ordered

SKU	List Price
DOOR OVERHANG	86
DOOR OVERHANG LEFT DOWN	86
DOOR OVERHANG RIGHT DOWN	86
DOOR OVERHANG BOTH DOWN	86

### Recessed Bottom

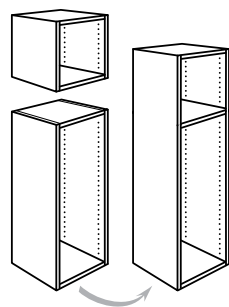
- Raises the floor and back of a Wall cabinet by 1 1/4" but keeps the sides the full height
- Available only on Wall cabinets without drawers
- A valance is placed across the front bottom of the cabinet
- Front valance finish is the same as a Finished End
- When ordered in conjunction with the Finished Top/Bottom option, the inside of the cabinet back and sides underneath will not be finished unless ordered on a cabinet with doors prepared for glass or Finished Interior
- Not available on corner and angled cabinets; order Door Overhang Both Sides Down instead
- Microwave cabinet will have door section reduced; opening and area behind panel will remain the same

SKU	List Price
RECESSED BOTTOM	157

# Custom Modifications : Dimension and Configuration Options

- All dimension modifications are the minimum or maximum allowable.
- We reserve the right to refuse combined dimension modifications.

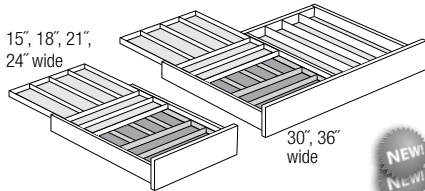
## Stacked Cabinets



Engineering Charge
459
Plus Price of Each Cabinet

- Combine two cabinets with one fixed shelf between
- Limits are equal to current Height, Width, and Depth Modifications; see page 9.2
- Maximum height is 66"
- Requests deemed unfit to ship will be declined
- For each stacked cabinet, fill out a Stacked Cabinet Modification Form; see OneTouch

## 2-Tier Drawer System



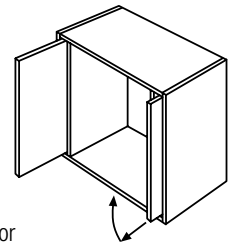
	Price Per Drawer
2TDRAWER15	464
2TDRAWER18	488
2TDRAWER21	524
2TDRAWER24	548
<b>2TDRAWER30</b>	<b>894</b>
<b>2TDRAWER36</b>	<b>930</b>

- A drawer within a drawer
- Replaces top drawer in a base cabinet 24" deep or deeper
- Only available on standard top drawer: 15", 18", 21", 24", 30" or 36" wide; 6 1/8" high front
- 30" and 36" wide are split evenly with upper tier on left side only
- Walnut drawer box not available

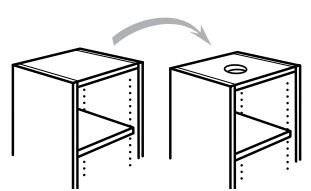
## Pocket Doors

- Available in 18", 21" and 24" deep cabinets only
- See Door Styles section for availability
- Will expose the top/bottom edge of cabinet
- **Order Finished Interior option;** see page 9.1
- **Backs of doors are visible.** Backs of some Thermofoil doors are White, see page 4.2; backs of Wood doors are not distressed, antiqued or glazed
- Minimum height/width: 17 1/2" x 11 7/8" per door
- Maximum height/width: 41 7/8" x 23 7/8" per door
- Modifications available in 18 15/16" to 42" heights
- Usable interior width is 6 1/2" less than overall cabinet width
- Weight should be considered where either or both sides are unsupported

Wall	Base	Tall
384	384	384



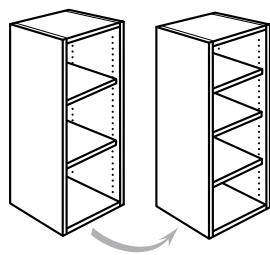
## Drill For Lighting



SKU	List Price
DRILL FOR LIGHTING	81

- Drill one hole per door on a wall cabinet to accept LED Puck Lighting
- Does not include lighting, order separately; see Accessories section
- Not available for Base or Vanity cabinets

## Add A Shelf



SKU	List Price
ADDSHELF	81

- Add a shelf to any cabinet
- Line Boring will be added to cabinets less than 21" high which do not normally come with a shelf

## Pull-out Option

	SKU	Price per Pull-out
<b>Wood Dovetail Pull-out with Soft Close in Birch</b>		
Cabinets 12" to 21" wide	DOVEPO	176
Cabinets over 21" wide	DOVEPOW	203

<b>Wood Dovetail Pull-out with Soft Close in Walnut</b>		
Cabinets 12" to 21" wide	DOVEPO	231
Cabinets over 21" wide	DOVEPOW	264

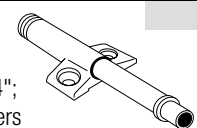
<b>Metal Pull-out with Soft Close</b>		
Cabinets 12" to 21" wide	METALPO	311
Cabinets over 21" wide	METALPOW	338

<b>Kessebohmer Pull-out</b>		
Not available in modified widths. Only available in 24" depths.		
Cabinets 15", 18" and 21" wide	KSBPO	917
Cabinets 24" wide	KSBPOW	971

- Wood Dovetail Pull-out in Birch is the standard pull-out on cabinets with Wood Dovetail Drawers when pull-outs have been selected. Walnut pull-outs are an upgrade.
- Maximum Number of Pull-outs:  
3 in a Base cabinet with drawer, 5 in a Base cabinet without drawer  
7 in bottom section of Tall cabinet  
2 in a Vanity with drawer, 4 in a Vanity without drawer  
3 in a Tall Vanity with drawer, 5 in a Tall Vanity without drawer
- When one Pull-out is ordered it is placed in the bottom of the cabinet and the shelf remains
- When two or more Pull-outs are ordered the shelf is removed
- When four or more Pull-outs are ordered for a Tall cabinet, a stretcher is installed below the second for added support and may reduce storage space

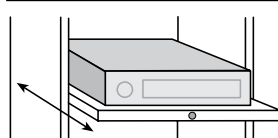
## Touch Latch

- Touch Latch with Free-Swinging Hinges
- Touch door and it opens to 3/4"; enough to then open with fingers



Price Per Door
44

## Electronics Pull-out Shelf



SKU	Melamine	Wood Veneer
EPOS	154	350

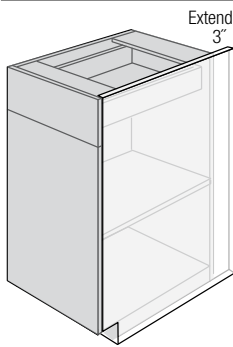
- Specify cabinet and installation location
- Not available uninstalled
- Must be installed above lower door hinge



# Custom Modifications : Dimension and Configuration Options

- All dimension modifications are the minimum or maximum allowable.
- We reserve the right to refuse combined dimension modifications.

## Extended Side



	Price Per Cabinet
Extend back the side panel of a Wall, Base or Tall cabinet	WEXTSB3 104 BEXTSB3 104 TEXTSB3 135 VEXTSB3 104

- Specify L or R side
- 3" extension only
- Back edge has matching edgebanding
- Inside back edge is not finished unless Finished Interior is specified
- Maximum Depth of 30" including extended sides

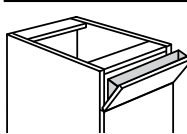
## Custom Cut-out in a Standard Oven Panel

Solid Wood Frame	Panel with Cut-outs	Price Per Panel
Panel with Opening	Panel with Opening	Solid Wood Profiled Frame 325
Panel with Opening	Panel with Opening	Wood Veneer, Eurotek and Deluxe Veneer
Panel with Opening	Panel with Opening	Non-Profiled Panel Cut-out 130
Panel with Opening	Panel with Opening	Thermofoil and UltraLux Panel Cut-out 130

- Standard Front Panel:
  - Melamine – 3/4"-thick Coordinated Melamine
  - Eurotek – 3/4"-thick Coordinated Melamine
  - Textured Melamine – 3/4"-thick Coordinated Melamine
  - Thermofoil – 3/4"-thick Profiled Matching Thermofoil
  - Metal – 3/4"-thick Coordinated Laminate
  - UltraLux – 3/4"-thick Matching UltraLux
  - Wood – 3/4"-thick Wood Veneer

- Cost of the oven panel is included in the price of the cabinet; custom cut-outs are an upcharge
- OVFH and OV1D can have up to three openings, all other oven or microwave panels can have one opening; specify on Custom Cut-Out Oven Panel Forms; see OneTouch

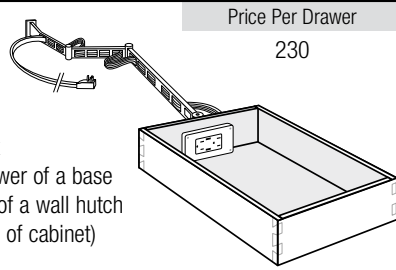
## Tilt-out Tray



SKU	List Price
TILT P	132
TILT S	225

- Add a factory-installed Tilt-out storage tray in Plastic or Stainless Steel

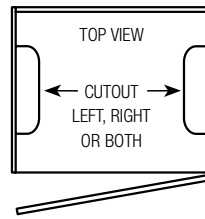
## Charging Drawer



Price Per Drawer
230

- Add a charging unit for phones and devices to a drawer box
- Available only in a 4" high Wood Dovetail Drawer box
- Available only in a top drawer of a base cabinet or bottom drawer of a wall hutch
- Cabinet (or drawer section of cabinet) must be at least 18" wide
- Charging Drawer unit will come installed in the drawer box
- Includes two 120V electrical plug ins and two 2.1 amp rated USB charging ports with a total rated capacity of 15 amps
- Cord is 14-gauge wire and features a standard 3-prong plug; 3 ft of length hangs freely from back of mounting bracket; plugs into an approved GFCI outlet
- Unit meets US, Canadian and UL safety standards

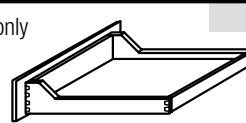
## Broom Handle Cut-out Option



	SKU	List Price
Left side	CUTOUTL	No Charge
Right side	CUTOUTR	No Charge
Both sides	CUTOUTB	No Charge

- Add an edgebanded opening (13<sup>5</sup>/<sub>16</sub>"x4<sup>1</sup>/<sub>2</sub>") in the fixed shelf of a Tall Utility cabinet to accommodate broom and mop handles
- Cabinet must be at least 12<sup>1</sup>/<sub>8</sub>" deep
- Minimum width of 10" for single cutout, 13" for double cutout

## Scoped Drawer



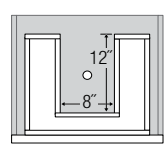
Price Per Drawer
102

- Wood Dovetail Drawer only
- Scoop drawer sides to half height for cooktop clearance

## Scoped Wood Dovetail Drawer Prepped for Plumbing

Price Per Drawer
247

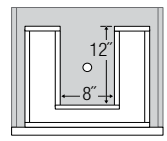
- Available on base cabinet standard top drawer and 3-Drawer Base bottom drawers
- Cabinet minimum width: 21"; minimum depth: 18"
- Modification affects all drawers in cabinet; if not all drawers are to be modified, use Engineering Charge and send drawings.
- Plumbing cut-out is not modifiable



## Wood Dovetail Drawer Prepped for Plumbing

Price Per Drawer
145

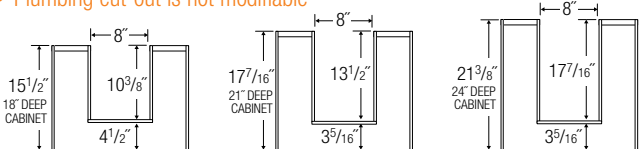
- Available on base cabinets with full-width drawers
- Cabinet minimum width: 21"; minimum depth: 18"
- Modification affects all drawers in cabinet; if not all drawers are to be modified, use Engineering Charge and send drawings.
- Plumbing cut-out is not modifiable



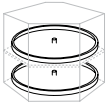
## Metal Legrabort Drawer Prepped for Plumbing

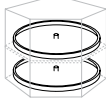
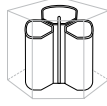
Price Per Drawer
247

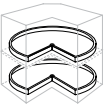
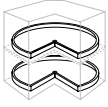
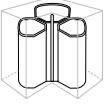
- Available at cabinet depths of 24", 21", and 18"
- Minimum cabinet width is 24"
- Not available with Touch-To-Open option
- Internal and external sides are fingerprintless metal with stainless steel look; backs and bottoms are 5/8"-thick grey melamine
- Modification affects all drawers in cabinet; if not all drawers are to be modified, use Engineering Charge and send drawings.
- Plumbing cut-out is not modifiable



# Custom Modifications : Factory-Installed Lazy Susans and Revolving Recycle Bins

Diagonal Corner Wall Lazy Susan Option				SKU	List Price
 <p>WOOD SHELF-MOUNTED FULL-ROUND</p>					
AVAILABLE ON DCW AND DW CABINETS – 30"-36" high – 2 Susans					
Wood	Shelf-Mounted	Full-Round	18" Diameter	SHELFWOODLS	317
AVAILABLE ON DCW AND DW CABINETS – 39"-45" high – 3 Susans					
Wood	Shelf-Mounted	Full-Round	18" Diameter	SHELFWOODLS	475

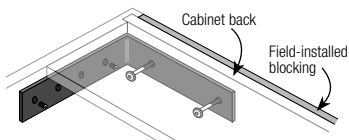
Diagonal Corner Base Lazy Susan Option				SKU	List Price
 <p>WOOD SHELF-MOUNTED FULL-ROUND (NOT ADJUSTABLE)</p>  <p>RECYCLE BINS</p>					
AVAILABLE ON DCB36, DCB39 – 2 Susans					
Wood	Shelf-Mounted	Full-Round	28" Diameter	SHELFWOODLS	490
Revolving Recycle Bins		3 White 32-qt. Containers		RECYCLEBIN	806

Corner Base Lazy Susan Option				SKU	List Price
 <p>WOOD SHELF-MOUNTED PIE-CUT (NOT ADJUSTABLE)</p>  <p>WOOD SHELF-MOUNTED SUPER SUSAN (NOT ADJUSTABLE)</p>  <p>RECYCLEBINS</p>					
AVAILABLE ON CB33, CB36, CB39 – 2 Susans					
Wood	Shelf-Mounted	Pie-Cut	28" Diameter	SHELFWOODLS	490
AVAILABLE ON CB36, CB39 – 2 Susans					
Wood	Shelf-Mounted	Pie-Cut	32" Diameter	SHELFWOODSS	536
AVAILABLE ON CB36		Revolving Recycle Bins		3 White 32-qt. Containers	RECYCLEBIN 806

- Wood is Birch with Natural finish; not available in Walnut



## Hanging Vanity Bracket

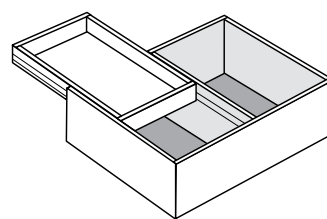


	List Price
HAF BRACKET	334
HAF BRACKET SINGLE	203

- Install two brackets for cabinets 18" wide and wider; install one bracket for cabinets less than 18" wide
- Kit includes bracket(s) and screws
- HAF BRACKET has 2 brackets; HAF BRACKET SINGLE has one
- Additionally, cabinets must be securely fastened with sufficient type, quantity and size of screws to wall studs and internal structural wall blocking placed between wall studs
- If Wall-Hung Vanities are properly installed using Hanging Vanity Brackets, field-installed pedestals are not required



## 2-Tier Deep Drawer System For Pots and Pans



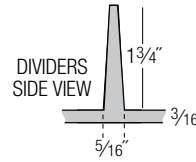
	Price Per Drawer
2T8DPDWR30	762
2T8DPDWR36	795
2T10DPDWR30	859
2T10DPDWR36	898

- Deep pots-and-pans drawer with a 2-tier drawer-within-the-drawer to one side for lids and smaller items
- 8"-deep drawer is available for drawer fronts 9<sup>15</sup>/<sub>16</sub>" high and higher
- 10"-deep drawer is available for drawer fronts 14<sup>15</sup>/<sub>16</sub>" high and higher
- 30" and 36" wide only
- Please specify drawer(s) to be replaced: top, middle or bottom
- Wood Dovetail Drawers only
- Not available with Metal Drawers or Walnut drawer box

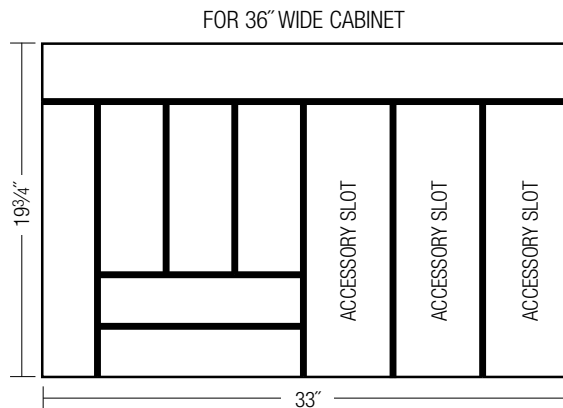
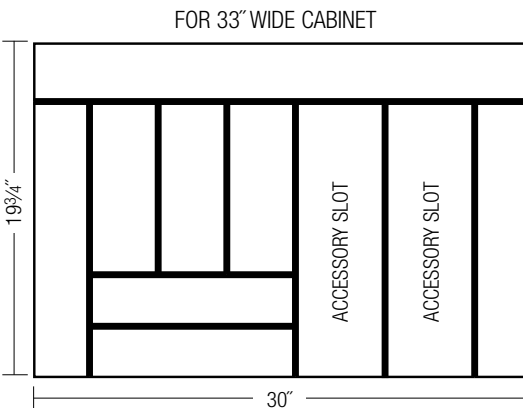
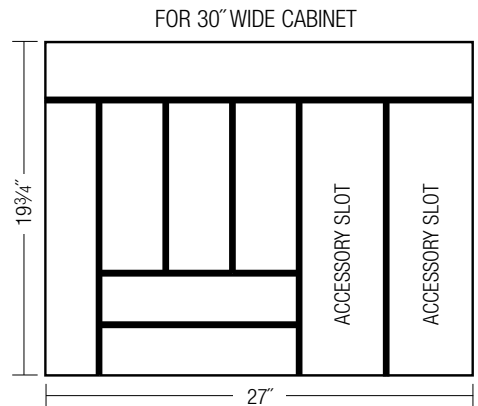
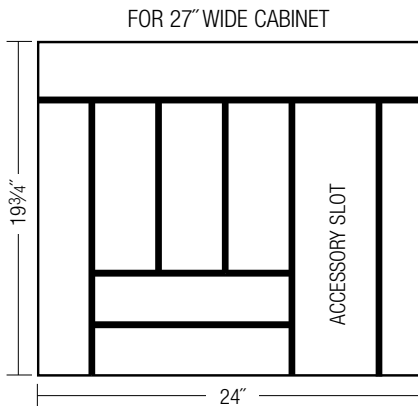
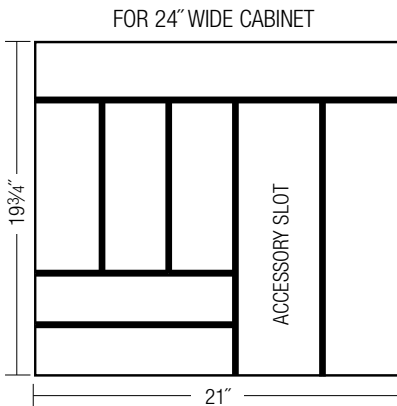
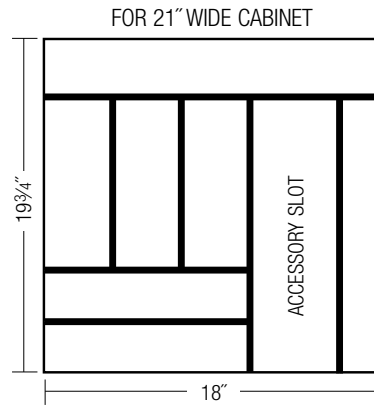
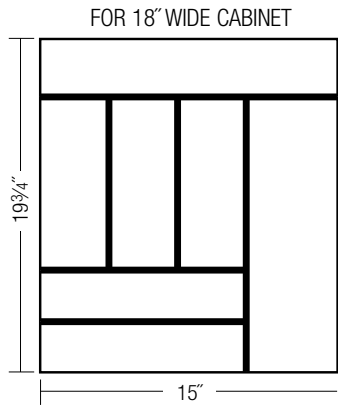
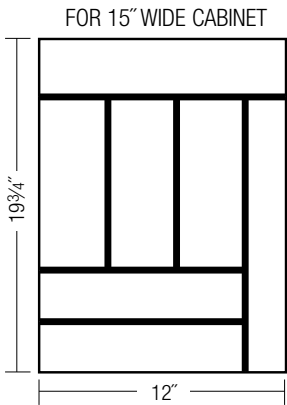
# Custom Modifications : Field Installed Cutlery Tray System

## Fineline Cutlery Tray Inserts with Accessory Slots

- For Wood Dovetail Drawers
- Top drawer only
- Birch with Natural finish; Walnut trays not available
- Patented Fineline design; tapered dividers
- Pre-cut to fit drawer boxes in cabinets 15", 18", 21", 24", 27", 30", 33" and 36" wide for both 21" and 24" deep
- See page 17.4 for Fineline Accessory Inserts designed to fit into tray's accessory slots



SKU	Price
DOVE FINEL1518	218
DOVE FINEL2124	277
DOVE FINEL2730	341
DOVE FINEL3336	368

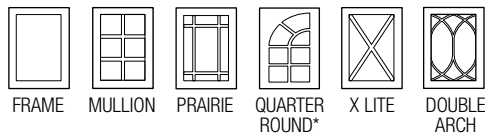


# Custom Modifications : Additional/Replacement Doors & Drawers

- Pricing is per square foot; minimum is one square foot. Round up to nearest square foot.
- To calculate list price for each Additional/Replacement Door or Drawer: Multiply door or drawer width times height (inches), divide by 144, multiply by Price Grade charge.
- Round pricing up to the nearest whole dollar.
- Add appropriate Wood finish premiums. Multiply list price by applicable finish premium. See pages 2.3-2.10.
- Upcharges for Metal doors included in square foot pricing.
- All doors bored for hinging per specification. **Must request not to bore. Non-standard hinging add \$64 per door.**
- Glass is included for all Metal door styles. For all others, glass may be ordered separately as an accessory item. See pages 9.11-9.12.
- Hinges and hardware are not included; see page 17.13 for pricing.
- **Add Hinges (HG23: list price \$31) and Plates (HP01: list price \$19).**
- **Specify L or R hinging.**

## Additional/Replacement Doors & Drawers – PRICE CHART A

Price Grade	1	2	3	4	5	6	7	8	9
<b>PRICE CHART A</b>									
MELAMINE	34								
TEXTURED MELAMINE	34		77	90	106	117			
EUROTEK VENEER			77	90					
THERMOFOIL		77	77	90	106	117	133	154	168
WOOD / DELUXE VENEER		77	77	90	106	117	133	154	168
SLIMLINE ALUMINUM DOOR with Plexi Insert									168
SLIMLINE ALUMINUM DOOR with Tech Glass Insert									218
BROADLINE ALUMINUM DOOR									218
BROADLINE STAINLESS STEEL DOOR									218
FINELINE ALUMINUM DOOR									286
ULTRALUX							155		186



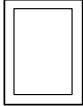
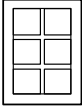
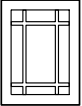
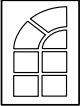
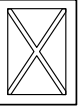
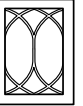
- Pricing is per square foot; minimum is one square foot. Round up to nearest square foot.
- To calculate list price for Additional/Replacement Doors Prepared For Glass: Multiply door width times height (inches), divide by 144. Multiply by total price from Charts A and B.

## Additional/Replacement Doors Prepared For Glass – PRICE CHART B

PRICE GRADE	FRAME	MULLION	PRAIRIE	QUARTER ROUND	X LITE	DOUBLE ARCH
<b>PRICE CHART B</b>						
TEXTURED MELAMINE	64					
EUROTEK VENEER	41					
STANDARD THERMOFOILS	41	62	62	139		
PREMIUM THERMOFOILS	41					
WOOD	No Additional Charge	34	34	245	166	687
ULTRALUX	– Not Available					

- Round pricing up to the nearest whole dollar.
- Add appropriate Wood finish premiums. Multiply list price by applicable finish premium. See pages 2.3-2.10.
- Upcharges for Metal doors included in square foot pricing.
- **Add Hinges (HG06: list price \$26) and Plates (HP01: list price \$19).**
- **Specify L or R hinging.**
- All doors bored for hinging per specification. **Must request to not bore.**
- Refer to Door Styles section for availability of Doors Prepared for Glass.
- Glass is not included but may be ordered separately as an accessory item. See pages 9.11-9.12.
- **Carnegie, Englewood, Frisco and Plymouth doors will not have applied moulding**
- Quarter-Round door styles are available on mortise and tenon door styles only and have size limitations; call Customer Service.
- Prairie style is not available on doors less than 15" wide
- X Lite style: minimum door width and height 14<sup>7</sup>/<sub>8</sub>", maximum door width 23<sup>7</sup>/<sub>8</sub>" on doors with rail/stile dimensions less than 3". For doors with rails/stiles over 3", add 1" to minimum width and height. Doors exceeding 42" high will have double X's.
- Double Arch style: minimum door width and height 14<sup>7</sup>/<sub>8</sub>", maximum door width 23<sup>7</sup>/<sub>8</sub>" on door with rails/stiles less than 3". For doors with rails/stiles over 3", add 3" to minimum height and width

# Custom Modifications : Doors Prepared For Glass

Cabinets with Doors Prepared For Glass						SKU	List Price	Wood	All Others
						FRAME	Cabinet List	+ 30%	+ 30%
						MULLION	Cabinet List	+ 50%	+ 50%
						PRAIRIE	Cabinet List	+ 50%	+ 75%
						QUARTER	Cabinet List	+ 200%	+ 75%
						X LITE	Cabinet List	+ 130%	N/A
						DOUBLE ARCH	Cabinet List	+ 500%	N/A

- Finished Interior included in door modification cost
- Consult Door Styles section for availability
- Add appropriate Metal and Wood finish premiums. See pages 6.1 and 2.3-2.10
- Additional Doors and Replacement Doors are priced by the square foot for both solid doors and doors prepared for glass. See page 9.9
- Glass for doors is not included but is available as an accessory. See pages 9.11-9.12
- Glass shelves are available as an accessory. See page 17.2
- Refer to Program Summaries in Door Sections for door style, species and finish availability for fronts and backs of doors
- **Carnegie, Englewood, Frisco and Plymouth doors** will not have applied moulding
- Mullions are: 1" on Greco, Mission II, and Wilmington Thermofoil door styles; 3/4" on all Wood door styles
- For Tall cabinets and Appliance Garage cabinets with doors above and below, specify top, bottom or both. If nothing is specified, only the top section will be prepped for glass.
- **Flip-Up, Horizontal Bi-Fold, and Swing-Up doors are available in frame-style Metal door styles with glass, finished interior must be specified and is chargeable**
- Drawers cannot be prepared for glass
- Quarter-Round style is available on mortise and tenon door styles only and has size limitations; call Customer Service
- Prairie style is not available on doors less than 15" wide
- X Lite style: minimum door width and height 14<sup>7</sup>/<sub>8</sub>", maximum door width 23<sup>7</sup>/<sub>8</sub>" on doors with rail/stile dimensions less than 3". For doors with rails/stiles over 3", add 1" to minimum width and height. Doors exceeding 42" high will have double X's.
- Double Arch style: minimum door width and height 14<sup>7</sup>/<sub>8</sub>", maximum door width 23<sup>7</sup>/<sub>8</sub>" on door with rails/stiles less than 3". For doors with rails/stiles 3" and over, add 3" to minimum height and width
- Eurotek and Wood doors (except Bamboo) prepared for glass come with clear, flexible moulding for glass insert retention

# Custom Modifications : Art Glass

- Glass is shipped directly from glass manufacturer
- Please inspect all glass within 24 hours of receipt
- All damage claims should be reported to Customer Service
- New glass will be shipped according to Job Completion & Warranty Parts Quick Ship Lead Times (see page DB13-DB14).

ART GLASS					
STYLE	NAME	DESCRIPTION	DOOR HEIGHT UP TO 30" PRICING IS PER PIECE	DOOR HEIGHT 31"-48" PRICING IS PER PIECE	SANDBLASTING ADD PER PIECE
BAR <sup>2</sup>	Baroque	Clear, swirled pattern (obscure)	417	447	123
CLG <sup>1</sup>	Clear D.S.	Clear, no pattern, double strength	288	288	N/A
CRR <sup>1</sup>	Cross Reeded	Clear; 1/2"-square pattern (obscure)	417	447	N/A
CRS <sup>1</sup>	Cross Reeded Sandblasted	Clear, 1/2"-square pattern, sandblasted (opaque)	537	570	Included
CRY <sup>1</sup>	Crystal	Clear, 1/16"-square pattern (obscure)	417	447	123
CUR <sup>2</sup>	Curaco	Clear, corded pattern (obscure)	417	447	123
DSG <sup>1</sup>	D.S. Ground	Clear, sandblasted (obscure)	417	447	Included
ENR <sup>1</sup>	English Reeded	Clear, 1/2" reeded pattern (obscure)	417	447	N/A
ERS <sup>1</sup>	English Reeded Sandblasted	Clear, 1/2" reeded pattern, sandblasted (opaque)	537	570	Included
GLC <sup>1</sup>	Gluechip	Clear, frosted-leaf pattern (obscure)	417	447	123
GNA <sup>1</sup>	GNA	Clear, antique	417	447	123
GRN <sup>2</sup>	Granite	Clear, rough stone pattern (obscure)	417	447	123
GRY <sup>1</sup>	Grey D.S.	Tinted light grey, no pattern, double strength	417	447	123
HAM <sup>1</sup>	Hammered	Clear, hammered pattern (obscure)	417	447	123
PNT <sup>1</sup>	Pinto	Clear, textured linear pattern (obscure)	417	447	123
SED <sup>2</sup>	Seedy	Clear, seeded air bubbles (obscure)	417	447	123
WTG <sup>1</sup>	Wave	Clear, water pattern (obscure)	417	447	123
CBV	Clear Bevel	Clear, no pattern, single pane bevel	1012	1152	N/A
GBV	Gluechip Bevel	Clear, Gluechip pattern, single pane bevel	1012	1152	N/A
MIR	Mirror	Mirror	417	447	N/A

- Glass is not installed
- Specify glass style and sandblasting if applicable
- **Maximum cabinet/door width is 21" for cabinets over 30" tall**
- To order Sandblasting, place an "S" at the end of the style name: BARS
- Beveled glass available only for Frame-style doors
- D.S. = Double Strength
- Glass is not available for doors taller than 48"

<sup>1</sup> These styles of Art Glass are available for cabinets up to 48" tall. All other Art Glass styles are only available for doors up to 42" tall.

<sup>2</sup> These styles of Art Glass are only available for Flip-Up, Horizontal Bi-Fold, and Swing-Up cabinets 33" and narrower.

TECH GLASS			
STYLE	NAME	DOOR HEIGHT UP TO 30" PRICING IS PER PIECE	DOOR HEIGHT 31"-48" PRICING IS PER PIECE
BKE	Black Etch	401	419
BRE	Bronze Etch	401	419
CEE	Caffe Etch	401	419
CAG	Cannes Ashley Grey	484	508
CLN	Clarion	295	295
CLE	Clarion Etch	401	419
CLW	Clarion White	401	419
MRE	Mirror Etch	401	419
PLE	Pearl Etch	401	419
SKE	Silk Etch	401	419
TBE	Timber Black Etch	484	508
<del>TWE</del>	<del>Tree White Etch</del>	<del>484</del>	<del>508</del>
WTE	White Etch	401	419

- Glass is not installed
- Specify glass style
- It is not recommended to use a Backpainted Tech Glass on a cabinet illuminated from the inside as the paint may appear uneven

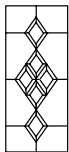
# Custom Modifications : Leaded Glass

LEADED GLASS						
STYLE	DESIGN	TYPE OF GLASS	DOOR HEIGHT 12"-18" PRICING IS PER PIECE	DOOR HEIGHT 19"- 30" PRICING IS PER PIECE	DOOR HEIGHT 31"-42" PRICING IS PER PIECE	BRASS CAMING ADD PER PIECE
DIGA	Diamond	GNA	1153	1325	1502	137
DIHM	Diamond	Hammered	1153	1325	1502	137
SQCL	Four Square	Clear D.S.	1005	1151	1362	137
SQSE	Four Square	Seedy	1134	1280	1521	137
SRGC	Lace	Gluechip	1242	1433	1575	137
SRGA	Lace	GNA	1242	1433	1575	137
MLBA	Mullion	Baroque	1005	1153	1362	137
MLCL	Mullion	Clear D.S.	876	1024	1203	137
MLCY	Mullion	Crystal	1005	1153	1362	137
MLCU	Mullion	Curaco	1005	1422	1869	137
MLDG	Mullion	D.S. Ground	1005	1153	1362	137
MLGC	Mullion	Gluechip	1005	1153	1362	137
MLGA	Mullion	GNA	1005	1153	1362	137
MLGN	Mullion	Granite	1005	1153	1362	137
MLGR	Mullion	Grey D.S.	1005	1153	1362	137
MLHM	Mullion	Hammered	1005	1153	1362	137
MLPN	Mullion	Pinto	1005	1153	1362	137
MLSE	Mullion	Seedy	1005	1153	1362	137
MLWG	Mullion	Wave	1005	1153	1362	137
PRBA	Prairie	Baroque	1005	1153	1362	137
PRCL	Prairie	Clear D.S.	876	1024	1203	137
PRCY	Prairie	Crystal	1005	1153	1362	137
PRCU	Prairie	Curaco	1005	1153	1362	137
PRDG	Prairie	D.S. Ground	1005	1153	1362	137
PRGC	Prairie	Gluechip	1005	1153	1362	137
PRGA	Prairie	GNA	1005	1153	1362	137
PRGN	Prairie	Granite	1005	1153	1362	137
PRGR	Prairie	Grey D.S.	1005	1153	1362	137
PRHM	Prairie	Hammered	1005	1153	1362	137
PRPN	Prairie	Pinto	1005	1153	1362	137
PRSE	Prairie	Seedy	1005	1153	1362	137
PRWG	Prairie	Wave	1005	1153	1362	137
STCL	Stripes	Clear Bevel	1209	1395	1606	137
TUCL	Tulip	Clear D.S.	1209	1395	1606	137
TUWG	Tulip	Wave	1338	1524	1765	137

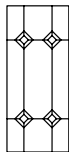
- Glass is not installed
- Specify glass style and brass caming if applicable
- Minimum Cabinet Width = 12" Maximum Cabinet Width = 21"
- Glass comes standard with lead caming
- To order Brass Caming, place a "B" at the end of the style name: MLCL-B
- D.S. = Double Strength

### NOTICE

- Glass is shipped directly from glass manufacturer
- Please inspect all glass within 24 hours of receipt
- All damage claims should be reported to (847) 289-7180 or your Customer Service Representative
- Leave your name, Acknowledgement number, and the nature of your claim.
- New glass will be shipped according to Job Completion & Warranty Parts Quick Ship Lead Times (see page DB13-DB14).



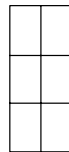
**Diamond**  
Clear Bevel  
diamonds with GNA or  
Hammered field



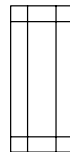
**Four Square**  
Clear Bevel  
squares with Clear or  
Seedy field



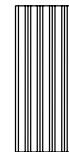
**Lace**  
Clear Bevel squares  
with GNA field or  
Gluechip Bevel  
squares with Gluechip  
field



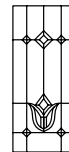
**Mullion**  
Mullion style  
with Clear or any Art Glass\*  
Doors 18" & under – 4 panes  
Doors 40" & over – 8 panes



**Prairie**  
Prairie style  
with Clear or  
any Art Glass\*



**Stripes**  
Clear Bevel  
stripes



**Tulip**  
Clear Bevel tulip and  
squares with Clear  
or Wave field

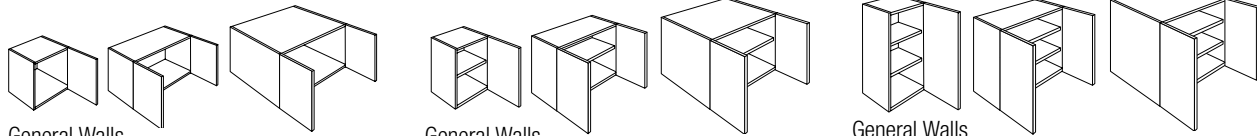
*\*Mullion and Prairie styles are not available with Cross Reeded, Cross Reeded Sandblasted, English Reeded, or English Reeded Sandblasted Art Glass.*

# Table of Contents – Walls

Click on any item to jump to that item's first page.

## General Wall Cabinets

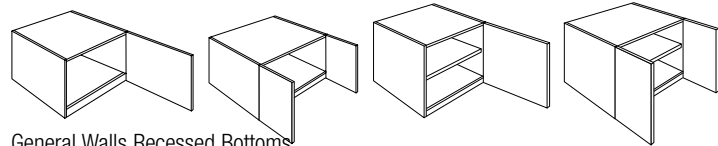
Typical dimensions: 12"-48"w, 12"-48"h, 13"/15"/24"d



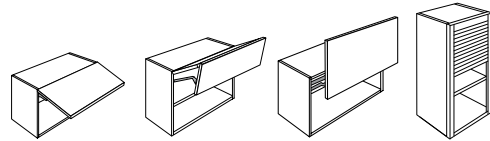
General Walls  
sku ex: W2118, W3618, W3618-24

General Walls  
sku ex: W2127, W3627, W3627-24

General Walls  
sku ex: W2142, W3642, W3642-24



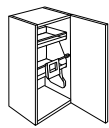
General Walls Recessed Bottoms  
sku ex: W2418RB-24-1, W3018RB-24, W2427RB-24-1, W3027RB-24



Flip-Up, Bi-Fold, Swing-Up, Tambour Door Cabinets  
sku ex: WP3018HK, HBPW3024HF, SUW3024HL, WTAM3042

## Pull-Down-Shelf Walls

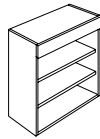
Typical dimensions:  
21"-36"w, 24"/30"h, 13"/15"d



iMove Pull-Down Shelves  
sku ex: WPD2724, WPD2430D

## Decorative Open Walls

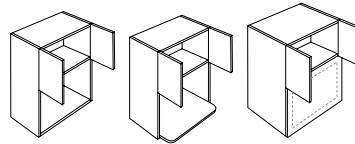
Typical dimensions:  
24"-36"w, 30"-48"h, 13"/15"d



Decorative Open Shelves  
(Valance and Shelf Edge options)  
sku ex: DWS3630

## Microwave Wall Cabinets

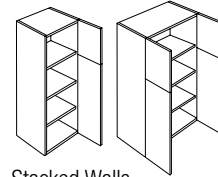
Typical dimensions:  
24"-30"w, 30"-48"h, 13"-21"d



Microwave Walls  
sku ex: MMW3042, SMW3042

## Stacked Wall Cabinets

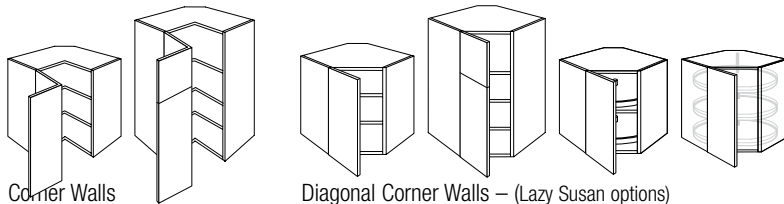
Typical dimensions:  
12"-48"w, 12"-48"h, 13"/15"d



Stacked Walls  
sku ex: WST1845, WST3645

## Corner Wall Cabinets

Typical dimensions: 24"/27"w, 30"-48"h, 13"/15"d

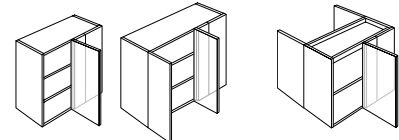


Corner Walls  
sku ex: CW2436, CWST2448

Diagonal Corner Walls – (Lazy Susan options)  
sku ex: DCW2436, DWST2448, DCW2436SWS, DCW2436KSB

## Blind Corner Wall Cabinets

Typical dimensions:  
27"-36"w, 24"-48"h, 13"/15"d

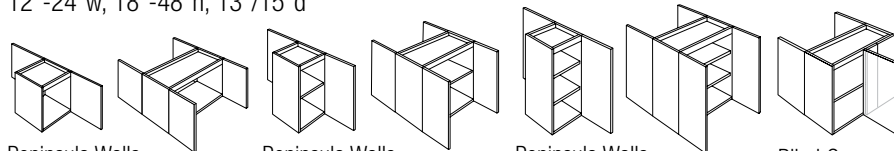


Blind Corner Walls  
sku ex: BLB3039, BLW4230

Blind Corner Peninsula Wall  
sku ex: BLPW3024

## Peninsula Wall Cabinets

Typical dimensions:  
12"-24"w, 18"-48"h, 13"/15"d



Peninsula Walls  
sku ex: PW2118, PW3018

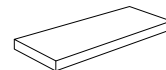
Peninsula Walls  
sku ex: PW2124, PW3024

Peninsula Walls  
sku ex: PW2145, PW3048

Blind Corner Peninsula Wall  
sku ex: BLPW3024

## Floating Shelves

Typical dimensions:  
24"/95"w, 2.5"-3"h, 9"-27"d



Floating Shelves  
sku ex: FS3610X2.5, OPENSHELF-2

*continued >>>*

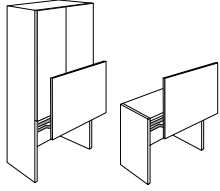


# Table of Contents – Walls

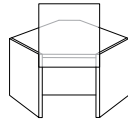
Click on any item to jump to that item's first page.

## Appliance Garages

Typical dimensions: 21"-36"w, 48"-66"h, 13"/15"d



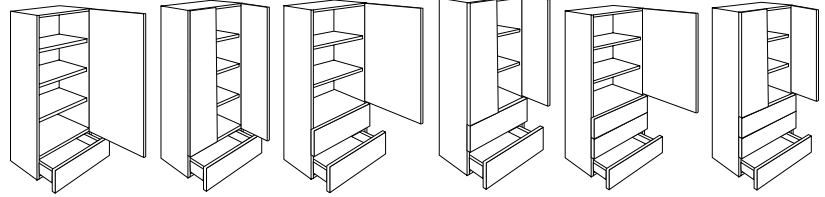
Swing-Up Appliance Garage  
sku ex: SUAG3660, SUAGST30HL



Corner Swing-Up Appliance Garage  
sku ex: SUCAGHL

## Countertop Hutches

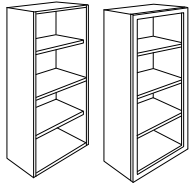
Typical dimensions: 15"-36"w, 48"-66"h, 13"/15"d



Hutches  
sku ex: WH1D1860, WH1D3660, WH2D1860, WH2D3660, WH3D1860, WH3D3660

## Wall Bookcases

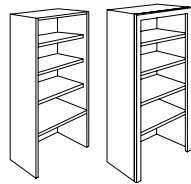
Typical dimensions:  
18"-36"w, 30"-66"h, 13"/15"d



Bookcases – (Shelf Edge options)  
sku ex: BK3660, VFBK3660

## Open Wall Shelves

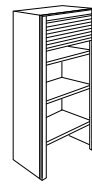
Typical dimensions:  
18"-36"w, 48"-66"h, 13"/15"d



Wall Open Shelf – (Shelf Edge options)  
sku ex: WOS3660, VFWOS3660

## Tambour Door Walls

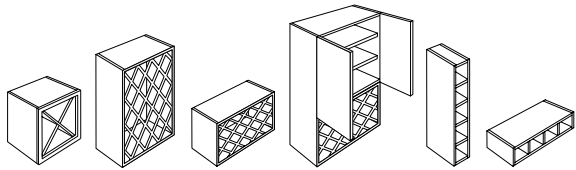
Typical dimensions:  
18"-36"w, 30"-66"h, 13"/15"d



Tambour Door Walls  
sku ex: WHTAM3660

## Wine Wall Cabinets

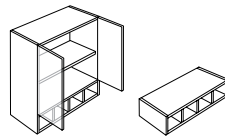
Typical dimensions: 15"-42"w, 24"-60"h, 13"/15"d



Wine Cabinets  
sku ex: WNEX24, LWRK1842, LWRK3024, WLWRK3348, WRV33, WRH27

## Letter File Wall Cabinets

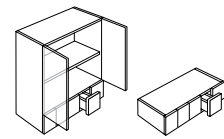
Typical dimensions:  
24"-30"w, 30"-48"h, 13"/15"d



Letter File Cabinets  
sku ex: WLF2442, LF24-6

## Spice Drawer Wall Cabinets

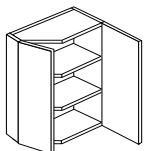
Typical dimensions:  
30"w, 30"-48"h, 13"/15"d



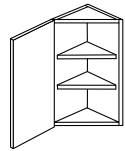
Spice Drawer Cabinets  
sku ex: WSDH3042, SDH30

## End Wall Cabinets

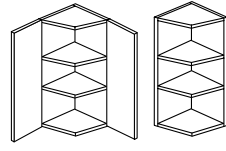
Typical dimensions: 13"/15"/24"w, 30"-48"h, 13"/15"d



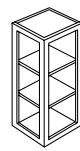
Transitional  
sku ex: TRW1342



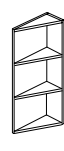
Triangle End  
sku ex: WTC1342



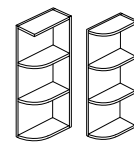
End  
sku ex: WNWEC1342, WEC1342



Square Whatnot  
sku ex: FWN1342



Triangle Whatnot  
sku ex: TWN1242



Radius Whatnot  
sku ex: WN1242, WNR1242

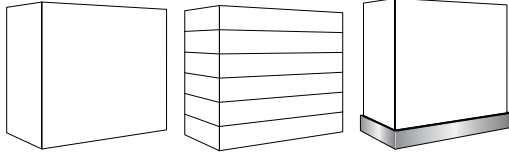
# Table of Contents – Range Hoods

Click on any item to jump to that item's first page.

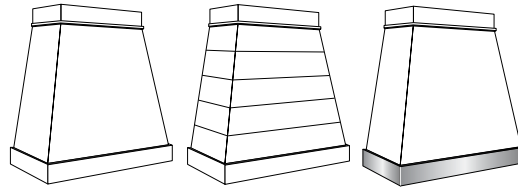
## Wood Range Hoods

Typical dimensions: 36"-48"w, 30"-54"h, 22"d

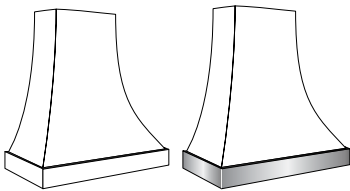
*Range Hood Ventilators also*



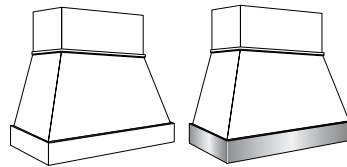
Stanisci Bristol Series  
sku ex: BXRH3642, BXHBRH3642, BXSSRH3642



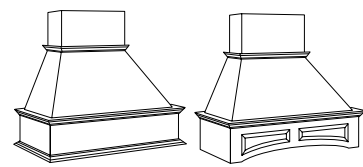
Stanisci Cambridge Series  
sku ex: CHWRH3642, CHWBRH3642, CSSRH3642



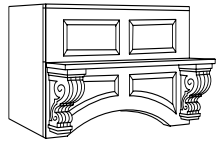
Stanisci Elevation Series  
sku ex: EHWRH3642, ESSRH3642



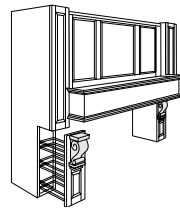
Stanisci Georgetown Series  
sku ex: GHWRH36, GSSRH36



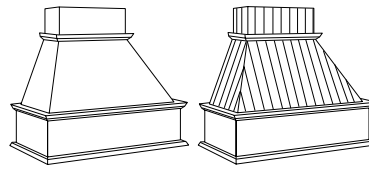
Stanisci Wood Hoods  
sku ex: RH3622, ARH3624



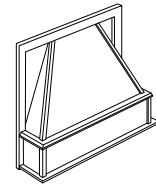
Stanisci Decorative Hoods  
sku ex: DRH3624



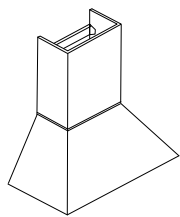
Stanisci Grotto Hoods  
sku ex: GRH6660



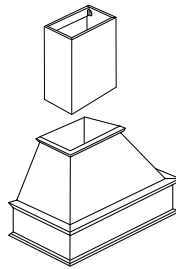
Stanisci Island Hoods  
sku ex: IRH3630, IRHB3630



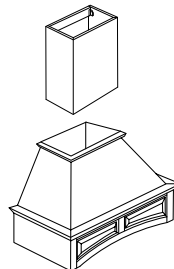
Traditional Wood Hoods  
sku ex: TRHC30



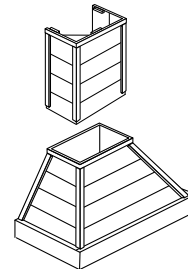
Omega Linear  
sku ex: OLRH3640



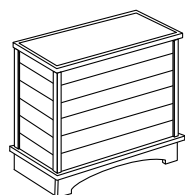
Omega Hoods  
sku ex: ORHB3654



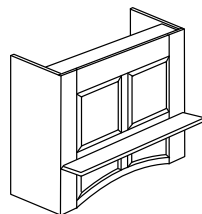
Omega Arched  
sku ex: OARHB3655



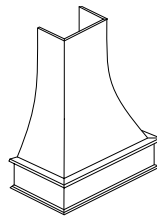
Omega Tapered Shiplap  
sku ex: OTSLRH3654



Omega Straight Shiplap  
sku ex: OSSLRH4242



Omega Decorative  
sku ex: ODRH4842



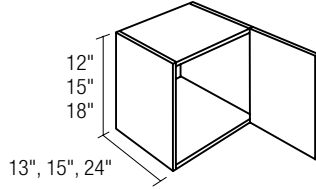
Omega Artisan  
sku ex: OARTRH3646

<<< *continued*

# Wall Cabinets : General

## FOR ALL GENERAL WALL CABINETS

- 12", 15" and 18" high have no shelves; 21", 24" and 27" high have one shelf;  
30", 33" and 36" high have two adjustable shelves; 39", 42" and 45" high have three adjustable shelves; 48" high has four adjustable shelves
- Cabinets 42" wide and wider (except with doors prepared for glass) and all 24" deep cabinets 39" wide and wider, have a center support stile.  
Wood door styles have a coordinated wood veneer center support stile. All other door styles have a white, grey, or neutral birch melamine stile



- Designate L/R hinge (right shown)

### Wall Cabinet 12"-18" High – 12"-24" Wide

Price Grade	1	2	3	4	5	6	7	8	9
-------------	---	---	---	---	---	---	---	---	---

#### 13" Deep

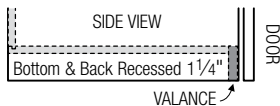
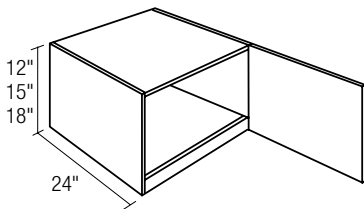
W2112	365	397	442	502	547	598	691	763	834
W2412-1	376	417	471	532	591	651	737	809	893
W2115	375	417	472	531	592	648	739	809	894
W2415-1	388	431	483	547	606	664	754	828	913
W1218	354	387	434	489	538	592	672	740	815
W1518	362	399	449	509	558	614	693	764	841
W1818	375	412	460	518	572	629	712	781	862
W2118	383	421	472	534	588	645	732	806	888
W2418-1	404	444	499	563	620	680	770	847	931

#### 15" Deep

W2112-15	409	437	482	541	588	641	730	802	876
W2412-1-15	435	472	526	585	645	703	791	863	948
W2115-15	438	475	527	586	645	701	785	857	941
W2415-1-15	447	482	538	600	660	719	806	882	965
W1218-15	397	426	474	532	579	633	716	779	856
W1518-15	407	439	490	549	597	655	732	803	882
W1818-15	417	452	500	560	613	668	752	824	904
W2118-15	425	462	513	574	628	687	774	850	929
W2418-1-15	462	499	554	616	672	731	825	901	986

#### 24" Deep

W2112-24	451	489	545	614	668	729	824	897	988
W2412-24-1	458	502	557	615	660	709	796	857	952
W2115-24	460	502	561	634	688	751	844	921	1014
W2415-24-1	469	504	559	628	684	743	835	912	1002
W2118-24	471	511	572	648	702	769	864	948	1039
W2418-24-1	523	549	616	672	736	793	881	957	1033



### Wall Cabinet 12"-18" High – 24" Wide with Recessed Bottom

Price Grade	1	2	3	4	5	6	7	8	9
-------------	---	---	---	---	---	---	---	---	---

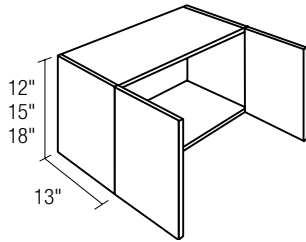
#### 24" Deep

W2412RB-24-1	615	659	714	772	817	866	953	1014	1109
W2415RB-24-1	626	661	716	785	841	900	992	1069	1159
W2418RB-24-1	680	705	773	829	893	950	1038	1114	1190

# Wall Cabinets : General

## FOR ALL GENERAL WALL CABINETS

- 12", 15" and 18" high have no shelves; 21", 24" and 27" high have one shelf;
- 30", 33" and 36" high have two adjustable shelves; 39", 42" and 45" high have three adjustable shelves; 48" high has four adjustable shelves
- Cabinets 42" wide and wider (except with doors prepared for glass) and all 24" deep cabinets 39" wide and wider, have a center support stile.  
Wood door styles have a coordinated wood veneer center support stile. All other door styles have a white, grey, or neutral birch melamine stile



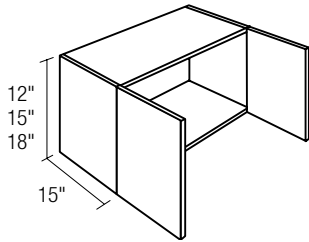
### Wall Cabinet 12"-18" High – 24"-48" Wide

Price Grade	1	2	3	4	5	6	7	8	9
<b>13" Deep</b>									
W2412	376	408	455	516	568	623	712	783	861
W2712	379	416	464	527	577	633	722	797	875
W3012	383	421	472	534	588	645	732	806	888
W3312	392	434	487	549	608	667	755	831	915
W3612	409	449	502	569	624	687	774	852	938
W3912	447	494	552	624	687	754	852	938	1025
W4212	455	503	568	637	708	776	874	960	1053
W4512	474	518	583	659	722	796	891	980	1075
W4812	511	563	632	712	784	862	969	1068	1165
W2415	388	431	483	547	606	664	754	828	913
W2715	395	437	492	555	613	671	764	837	922
W3015	404	444	499	563	620	680	770	847	931
W3315	422	464	522	589	651	716	808	889	978
W3615	447	494	552	624	687	754	852	938	1025
W3915	469	514	577	652	719	787	893	981	1081
W4215	489	536	603	680	747	824	930	1021	1127
W4515	511	559	628	707	775	859	966	1061	1171
W4815	534	581	652	732	803	895	1005	1101	1218
W2418	404	444	499	563	620	680	770	847	931
W2718	422	464	522	589	651	716	808	889	978
W3018	444	488	547	620	680	748	847	931	1022
W3318	464	510	571	645	712	781	888	977	1074
W3618	489	536	603	680	747	824	930	1021	1127
W3918	508	560	630	707	776	858	973	1070	1174
W4218	533	589	661	742	815	901	1019	1124	1234
W4518	558	616	691	778	854	945	1069	1179	1294
W4818	583	645	722	814	891	988	1117	1233	1353

# Wall Cabinets : General

## FOR ALL GENERAL WALL CABINETS

- 12", 15" and 18" high have no shelves; 21", 24" and 27" high have one shelf;  
30", 33" and 36" high have two adjustable shelves; 39", 42" and 45" high have three adjustable shelves; 48" high has four adjustable shelves
- Cabinets 42" wide and wider (except with doors prepared for glass) and all 24" deep cabinets 39" wide and wider, have a center support stile.  
Wood door styles have a coordinated wood veneer center support stile. All other door styles have a white, grey, or neutral birch melamine stile



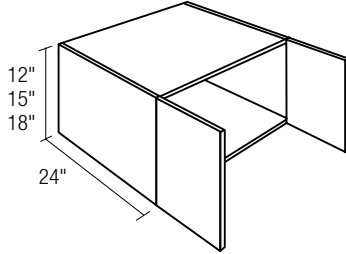
### Wall Cabinet 12"-18" High – 24"-48" Wide

Price Grade	1	2	3	4	5	6	7	8	9
<b>15" Deep</b>									
W2412-15	435	463	511	571	621	674	767	837	915
W2712-15	438	470	518	579	631	687	777	851	929
W3012-15	442	475	527	588	642	698	787	861	942
W3312-15	450	485	541	603	662	722	808	884	969
W3612-15	470	503	558	623	677	740	828	905	990
W3912-15	507	547	606	677	740	806	905	990	1081
W4212-15	545	590	655	732	801	876	981	1075	1170
W4512-15	584	633	702	790	862	944	1059	1162	1261
W4812-15	623	675	750	844	924	1012	1136	1246	1352
W2415-15	447	482	538	600	660	719	806	882	965
W2715-15	454	490	547	608	666	724	816	891	976
W3015-15	462	499	554	616	672	731	825	901	986
W3315-15	480	516	577	643	703	768	862	944	1032
W3615-15	507	547	606	677	740	806	905	990	1081
W3915-15	528	569	632	704	771	841	948	1035	1134
W4215-15	549	590	657	731	801	877	985	1074	1180
W4515-15	571	611	682	760	831	913	1021	1113	1225
W4815-15	593	632	707	785	860	949	1059	1153	1272
W2418-15	462	499	554	616	672	731	825	901	986
W2718-15	480	516	577	643	703	768	862	944	1032
W3018-15	502	542	603	672	731	802	901	986	1075
W3318-15	522	564	628	698	767	835	942	1030	1129
W3618-15	549	590	657	731	801	877	985	1074	1180
W3918-15	568	614	685	761	831	913	1024	1124	1228
W4218-15	592	643	717	797	869	954	1073	1178	1288
W4518-15	616	671	748	832	909	995	1122	1230	1346
W4818-15	642	700	780	867	947	1039	1169	1282	1404

# Wall Cabinets : General

## FOR ALL GENERAL WALL CABINETS

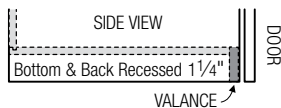
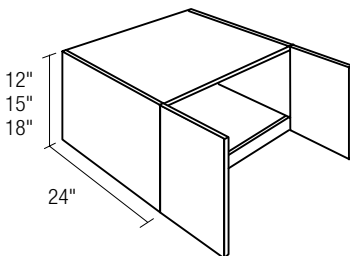
- 12", 15" and 18" high have no shelves; 21", 24" and 27" high have one shelf; 30", 33" and 36" high have two adjustable shelves; 39", 42" and 45" high have three adjustable shelves; 48" high has four adjustable shelves
- Cabinets 42" wide and wider (except with doors prepared for glass) and all 24" deep cabinets 39" wide and wider, have a center support stile.
- Wood door styles have a coordinated wood veneer center support stile. All other door styles have a white, grey, or neutral birch melamine stile



- Light Rail recommended on 24" Deep

### Wall Cabinet 12"-18" High – 24"-48" Wide

Price Grade	1	2	3	4	5	6	7	8	9
<b>24" Deep</b>									
W2412-24	458	502	557	615	660	709	796	857	952
W2712-24	478	514	569	636	692	752	846	921	1011
W3012-24	489	526	579	647	703	764	857	931	1021
W3312-24	500	534	590	657	713	773	865	941	1031
W3612-24	510	544	602	667	723	782	877	951	1042
W3912-24	522	554	612	680	732	794	887	960	1050
W4212-24	532	564	623	688	744	802	897	971	1062
W4512-24	542	574	632	698	754	812	907	980	1072
W4812-24	554	584	643	709	765	823	917	990	1082
W2415-24	469	504	559	628	684	743	835	912	1002
W2715-24	483	523	578	642	691	746	835	904	995
W3015-24	510	544	602	667	723	782	877	951	1042
W3315-24	536	565	624	693	755	821	917	997	1085
W3615-24	569	602	665	737	801	865	969	1051	1144
W3915-24	590	624	688	767	831	904	1012	1099	1197
W4215-24	611	645	714	796	862	938	1048	1139	1242
W4515-24	632	667	740	824	895	971	1085	1180	1285
W4815-24	654	690	766	853	928	1005	1123	1220	1331
W2418-24	523	549	616	672	736	793	881	957	1033
W2718-24	544	572	638	702	766	827	922	1004	1085
W3018-24	565	596	662	731	797	862	964	1048	1139
W3318-24	586	620	685	763	827	898	1007	1095	1193
W3618-24	620	657	721	803	869	947	1054	1150	1253
W3918-24	637	673	748	833	904	981	1099	1197	1300
W4218-24	657	691	775	862	939	1017	1141	1244	1347
W4518-24	674	709	802	893	974	1053	1184	1291	1393
W4818-24	693	725	830	922	1008	1089	1227	1337	1439



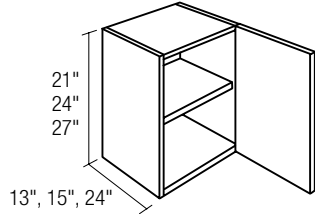
### Wall Cabinet 12"-18" High – 24"-42" Wide with Recessed Bottom

Price Grade	1	2	3	4	5	6	7	8	9
W2412RB-24	615	659	714	772	817	866	953	1014	1109
W2712RB-24	635	671	726	793	849	909	1003	1077	1168
W3012RB-24	646	683	736	804	860	921	1014	1088	1178
W3312RB-24	657	691	747	814	870	930	1022	1098	1188
W3612RB-24	667	701	758	824	880	939	1034	1108	1199
W3912RB-24	678	711	769	836	889	951	1044	1117	1207
W4212RB-24	689	721	780	845	901	959	1054	1128	1219
W2415RB-24	626	661	716	785	841	900	992	1069	1159
W2715RB-24	668	672	734	796	840	904	968	1060	1137
W3015RB-24	667	701	758	824	880	939	1034	1108	1199
W3315RB-24	693	722	781	850	912	978	1074	1154	1242
W3615RB-24	726	758	822	894	958	1022	1126	1208	1301
W3915RB-24	747	781	845	924	988	1061	1169	1256	1354
W4215RB-24	768	802	871	953	1019	1095	1205	1296	1398
W2418RB-24	680	705	773	829	893	950	1038	1114	1190
W2718RB-24	701	729	795	859	923	984	1078	1161	1242
W3018RB-24	722	753	819	888	954	1019	1121	1205	1296
W3318RB-24	743	777	842	920	984	1055	1164	1252	1350
W3618RB-24	777	814	878	960	1025	1103	1210	1307	1410
W3918RB-24	794	830	905	990	1061	1138	1256	1354	1457
W4218RB-24	814	848	932	1019	1096	1174	1298	1401	1503

# Wall Cabinets : General

## FOR ALL GENERAL WALL CABINETS

- 12", 15" and 18" high have no shelves; 21", 24" and 27" high have one shelf; 30", 33" and 36" high have two adjustable shelves; 39", 42" and 45" high have three adjustable shelves; 48" high has four adjustable shelves
- Cabinets 42" wide and wider (except with doors prepared for glass) and all 24" deep cabinets 39" wide and wider, have a center support stile.
- Wood door styles have a coordinated wood veneer center support stile. All other door styles have a white, grey, or neutral birch melamine stile



- Designate L/R hinge (right shown)

### Wall Cabinet 21"-27" High – 12"-24" Wide

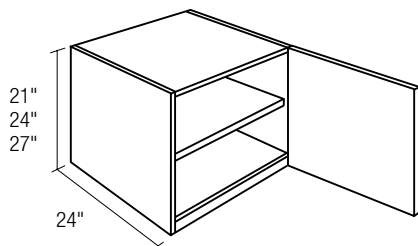
Price Grade	1	2	3	4	5	6	7	8	9
<b>13" Deep</b>									
W1221	362	399	449	509	558	614	693	764	841
W1521	375	412	460	518	572	629	712	781	862
W1821	383	421	472	534	588	645	732	806	888
W2121	404	444	499	563	620	680	770	847	931
W2421-1	437	471	533	600	664	736	823	904	993
W1224	375	412	460	518	572	629	712	781	862
W1524	392	434	487	549	608	667	755	831	915
W1824	404	444	499	563	620	680	770	847	931
W2124	422	464	522	589	651	716	808	889	978
W2424-1	444	485	548	618	685	748	851	934	1028
W1227	384	423	472	530	588	642	730	800	885
W1527	411	453	514	578	644	708	799	881	966
W1827	422	467	527	591	652	712	806	887	975
W2127	443	482	545	614	682	750	847	931	1024
W2427-1	451	502	563	636	703	763	877	965	1061

### 15" Deep

W1221-15	421	453	503	564	611	668	748	818	894
W1521-15	433	465	514	572	627	684	766	834	916
W1821-15	442	476	528	589	641	698	787	861	942
W2121-15	462	498	554	616	672	731	825	901	985
W2421-15-1	494	538	588	654	720	780	884	965	1048
W1224-15	434	467	514	574	627	684	767	835	916
W1524-15	450	485	541	603	662	722	808	884	969
W1824-15	462	499	554	616	672	731	825	901	986
W2124-15	480	516	577	643	703	768	862	944	1032
W2424-15-1	502	540	604	671	738	802	904	988	1082
W1227-15	444	478	527	584	641	695	784	855	939
W1527-15	470	507	569	632	697	763	853	933	1019
W1827-15	480	520	581	645	704	766	861	941	1029
W2127-15	517	563	623	693	765	822	929	1012	1113
W2427-15-1	556	606	664	743	824	877	994	1083	1198

### 24" Deep

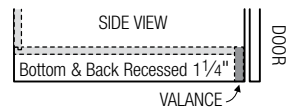
W2121-24	479	522	584	664	718	785	887	974	1064
W2421-24-1	545	577	643	716	769	842	948	1015	1107
W2124-24	489	532	594	680	731	803	909	1000	1088
W2424-24-1	605	620	682	755	814	890	1004	1085	1173
W2127-24	503	553	614	702	755	827	940	1035	1128
W2427-24-1	647	684	742	827	899	985	1085	1177	1275



- Designate L/R hinge (right shown)

### Wall Cabinet 21"-27" High – 24" Wide with Recessed Bottom

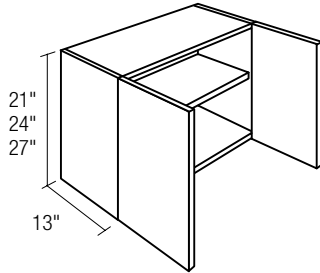
Price Grade	1	2	3	4	5	6	7	8	9
W2421RB-24-1	702	734	800	873	926	998	1104	1172	1263
W2424RB-24-1	762	777	838	912	970	1047	1161	1242	1330
W2427RB-24-1	804	841	899	984	1056	1142	1242	1334	1432



# Wall Cabinets : General

## FOR ALL GENERAL WALL CABINETS

- 12", 15" and 18" high have no shelves; 21", 24" and 27" high have one shelf;
- 30", 33" and 36" high have two adjustable shelves; 39", 42" and 45" high have three adjustable shelves; 48" high has four adjustable shelves
- Cabinets 42" wide and wider (except with doors prepared for glass) and all 24" deep cabinets 39" wide and wider, have a center support stile.  
Wood door styles have a coordinated wood veneer center support stile. All other door styles have a white, grey, or neutral birch melamine stile



### Wall Cabinet 21"-27" High – 24"-48" Wide

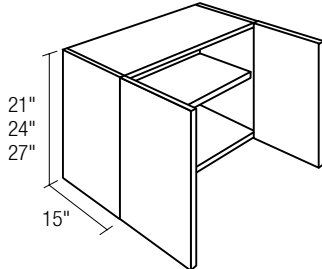
Price Grade	1	2	3	4	5	6	7	8	9
<b>13" Deep</b>									
W2421	437	471	533	600	664	736	823	904	993
W2721	450	490	553	623	688	757	855	940	1034
W3021	464	510	571	645	712	781	888	977	1074
W3321	483	533	598	673	742	816	923	1017	1123
W3621	508	560	628	708	776	858	964	1060	1169
W3921	529	584	652	737	811	889	1011	1107	1220
W4221	561	614	688	776	858	940	1060	1169	1285
W4521	594	645	723	818	905	990	1109	1233	1352
W4821	629	675	760	858	952	1042	1160	1297	1417
W2424	444	485	548	618	685	748	851	934	1028
W2724	464	510	571	645	712	781	888	977	1074
W3024	483	533	598	673	742	816	923	1017	1123
W3324	504	557	623	703	773	854	959	1055	1165
W3624	529	584	652	737	811	889	1011	1107	1220
W3924	569	625	702	791	869	957	1084	1194	1309
W4224	590	651	723	824	904	993	1127	1237	1359
W4524	611	675	744	857	939	1032	1168	1279	1408
W4824	632	702	766	890	974	1069	1210	1323	1458
W2427	451	502	563	636	703	763	877	965	1061
W2727	477	531	590	668	738	804	921	1013	1114
W3027	526	578	647	731	806	884	1005	1102	1217
W3327	542	597	673	761	833	920	1045	1146	1262
W3627	569	625	702	791	869	957	1084	1194	1309
W3927	590	651	723	824	904	993	1127	1237	1359
W4227	611	668	750	850	933	1021	1161	1273	1398
W4527	632	688	778	874	962	1048	1194	1308	1437
W4827	654	707	804	897	992	1075	1226	1343	1478



# Wall Cabinets : General

## FOR ALL GENERAL WALL CABINETS

- 12", 15" and 18" high have no shelves; 21", 24" and 27" high have one shelf;
- 30", 33" and 36" high have two adjustable shelves; 39", 42" and 45" high have three adjustable shelves; 48" high has four adjustable shelves
- Cabinets 42" wide and wider (except with doors prepared for glass) and all 24" deep cabinets 39" wide and wider, have a center support stile.  
Wood door styles have a coordinated wood veneer center support stile. All other door styles have a white, grey, or neutral birch melamine stile



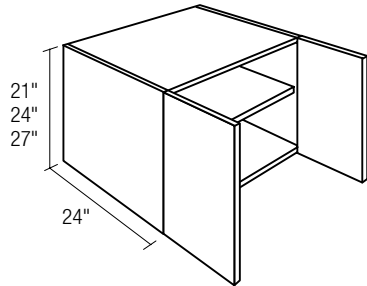
### Wall Cabinet 21"-27" High – 24"-48" Wide

Price Grade	1	2	3	4	5	6	7	8	9
<b>15" Deep</b>									
W2421-15	494	538	588	654	720	780	884	965	1048
W2721-15	514	559	613	684	749	815	920	1006	1096
W3021-15	536	578	638	712	779	851	956	1045	1142
W3321-15	559	598	665	742	808	884	991	1084	1190
W3621-15	583	628	694	775	843	924	1032	1128	1237
W3921-15	602	651	720	803	880	957	1075	1174	1289
W4221-15	636	682	756	843	924	1007	1128	1237	1353
W4521-15	672	712	795	883	971	1055	1180	1299	1417
W4821-15	709	743	831	922	1016	1105	1231	1360	1483
W2424-15	502	540	604	671	738	802	904	988	1082
W2724-15	536	578	638	712	779	851	956	1045	1142
W3024-15	559	598	665	742	808	884	991	1084	1190
W3324-15	578	624	689	771	838	920	1025	1124	1233
W3624-15	602	651	720	803	880	957	1075	1174	1289
W3924-15	643	692	770	857	938	1023	1152	1260	1376
W4224-15	663	719	794	889	971	1063	1194	1304	1427
W4524-15	684	744	815	921	1005	1101	1234	1350	1475
W4824-15	702	770	836	953	1037	1139	1275	1393	1524
W2427-15	556	606	664	743	824	877	994	1083	1198
W2727-15	576	627	690	771	851	914	1034	1127	1242
W3027-15	597	645	717	800	876	951	1072	1169	1284
W3327-15	618	665	742	828	901	988	1110	1214	1329
W3627-15	643	692	770	857	938	1023	1152	1260	1376
W3927-15	663	719	794	889	971	1063	1194	1304	1427
W4227-15	685	737	821	915	1000	1089	1227	1339	1466
W4527-15	704	752	847	941	1028	1117	1262	1376	1508
W4827-15	725	770	875	966	1055	1143	1298	1412	1548

# Wall Cabinets : General

## FOR ALL GENERAL WALL CABINETS

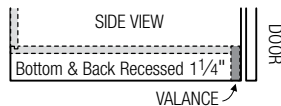
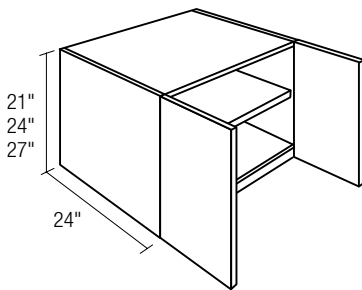
- 12", 15" and 18" high have no shelves; 21", 24" and 27" high have one shelf;  
30", 33" and 36" high have two adjustable shelves; 39", 42" and 45" high have three adjustable shelves; 48" high has four adjustable shelves
- Cabinets 42" wide and wider (except with doors prepared for glass) and all 24" deep cabinets 39" wide and wider, have a center support stile.  
Wood door styles have a coordinated wood veneer center support stile. All other door styles have a white, grey, or neutral birch melamine stile



- Light Rail recommended in 24" Deep

### Wall Cabinet 21"-27" High – 24"-48" Wide

Price Grade	1	2	3	4	5	6	7	8	9
<b>24" Deep</b>									
W2421-24	545	577	643	716	769	842	948	1015	1107
W2721-24	569	603	667	743	801	876	981	1059	1153
W3021-24	592	628	692	771	833	910	1016	1102	1200
W3321-24	615	652	718	800	864	942	1050	1144	1247
W3621-24	651	689	760	837	913	989	1103	1201	1308
W3921-24	670	708	785	870	947	1022	1144	1246	1356
W4221-24	700	744	820	913	989	1073	1201	1308	1428
W4521-24	729	781	852	954	1033	1124	1258	1369	1498
W4821-24	760	820	883	995	1075	1174	1315	1432	1571
W2424-24	605	620	682	755	814	890	1004	1085	1173
W2724-24	621	644	709	785	850	924	1039	1125	1220
W3024-24	636	668	737	818	883	959	1074	1165	1268
W3324-24	654	693	764	850	917	993	1110	1203	1313
W3624-24	680	720	794	882	956	1036	1160	1257	1368
W3924-24	730	773	850	947	1021	1110	1240	1351	1470
W4224-24	750	796	877	975	1055	1147	1282	1395	1522
W4524-24	770	818	905	1004	1090	1184	1329	1441	1574
W4824-24	791	838	933	1032	1125	1222	1373	1488	1624
W2427-24	647	684	742	827	899	985	1085	1177	1275
W2727-24	666	703	769	856	930	1014	1124	1219	1325
W3027-24	686	724	797	884	959	1044	1163	1262	1374
W3327-24	703	746	824	913	989	1073	1200	1305	1423
W3627-24	730	773	850	947	1021	1110	1240	1351	1470
W3927-24	761	802	884	984	1064	1160	1294	1404	1527
W4227-24	779	826	911	1012	1096	1190	1327	1441	1568
W4527-24	798	851	936	1041	1128	1220	1358	1482	1607
W4827-24	816	874	961	1069	1161	1251	1390	1519	1646



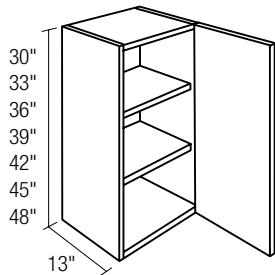
### Wall Cabinet 21"-27" High – 24"-42" Wide with Recessed Bottom

Price Grade	1	2	3	4	5	6	7	8	9
W2421RB-24	702	734	800	873	926	998	1104	1172	1263
W2721RB-24	726	760	824	900	958	1033	1138	1216	1310
W3021RB-24	749	784	849	928	990	1067	1173	1259	1357
W3321RB-24	772	809	875	957	1021	1099	1207	1301	1404
W3621RB-24	808	846	916	994	1070	1146	1260	1358	1465
W3921RB-24	827	864	942	1027	1103	1179	1301	1403	1513
W4221RB-24	857	901	977	1070	1146	1230	1358	1465	1584
W2424RB-24	762	777	838	912	970	1047	1161	1242	1330
W2724RB-24	778	801	865	942	1007	1081	1196	1282	1377
W3024RB-24	793	825	894	975	1040	1116	1231	1322	1424
W3324RB-24	810	850	921	1007	1074	1150	1267	1360	1470
W3624RB-24	836	877	951	1039	1113	1193	1316	1414	1525
W3924RB-24	887	930	1007	1103	1178	1267	1396	1508	1627
W4224RB-24	907	953	1034	1131	1211	1304	1439	1552	1679
W2427RB-24	804	841	899	984	1056	1142	1242	1334	1432
W2727RB-24	823	860	926	1013	1087	1171	1281	1376	1482
W3027RB-24	843	881	954	1041	1116	1201	1320	1419	1530
W3327RB-24	860	903	981	1070	1146	1230	1357	1462	1580
W3627RB-24	887	930	1007	1103	1178	1267	1396	1508	1627
W3927RB-24	917	959	1041	1141	1221	1316	1450	1561	1684
W4227RB-24	936	983	1068	1169	1253	1347	1484	1598	1725

# Wall Cabinets : General

## FOR ALL GENERAL WALL CABINETS

- 12", 15" and 18" high have no shelves; 21", 24" and 27" high have one shelf;  
30", 33" and 36" high have two adjustable shelves; 39", 42" and 45" high have three adjustable shelves; 48" high has four adjustable shelves
- Cabinets 42" wide and wider (except with doors prepared for glass) and all 24" deep cabinets 39" wide and wider, have a center support stile.  
Wood door styles have a coordinated wood veneer center support stile. All other door styles have a white, grey, or neutral birch melamine stile



- Designate L/R hinge (right shown)

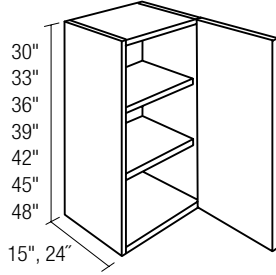
### Wall Cabinet 30"-48" High – 9"-24" Wide

Price Grade	1	2	3	4	5	6	7	8	9
<b>13" Deep</b>									
W930	362	399	449	509	558	614	693	764	841
W1230	404	444	499	563	620	680	770	847	931
W1530	422	464	522	589	651	716	808	889	978
W1830	436	477	533	608	667	732	831	915	1007
W2130	444	488	547	620	680	748	847	931	1022
W2430-1	472	518	585	663	726	802	909	1000	1099
W933	372	410	460	522	574	630	713	784	864
W1233	412	454	510	577	636	697	790	868	954
W1533	433	476	534	605	665	731	827	910	1001
W1833	450	494	552	627	689	757	860	947	1041
W2133	463	510	572	647	711	782	884	974	1072
W2433-1	507	558	630	712	780	861	976	1072	1181
W936	383	421	472	534	588	645	732	806	888
W1236	422	464	522	589	651	716	808	889	978
W1536	444	488	547	620	680	748	847	931	1022
W1836	464	510	571	645	712	781	888	977	1074
W2136	483	533	598	673	742	816	923	1017	1123
W2436-1	542	597	673	761	833	920	1045	1146	1262
W939	393	434	485	548	603	662	751	827	911
W1239	435	476	535	605	664	730	828	911	1002
W1539	465	510	571	647	710	782	885	975	1072
W1839	494	544	609	689	761	833	948	1039	1146
W2139	527	576	647	729	803	883	1003	1103	1214
W2439-1	584	643	722	815	894	987	1119	1230	1352
W942	404	444	499	563	620	680	770	847	931
W1242	444	488	547	620	680	748	847	931	1022
W1542	483	533	598	673	742	816	923	1017	1123
W1842	526	578	647	731	806	884	1005	1102	1217
W2142	565	621	697	783	864	950	1081	1190	1305
W2442-1	624	688	771	869	957	1053	1194	1312	1441
W945	414	454	510	577	636	695	790	865	952
W1245	453	501	558	634	693	766	864	952	1045
W1545	504	556	627	700	774	851	961	1061	1173
W1845	557	613	687	775	855	934	1061	1165	1288
W2145	605	665	747	837	928	1016	1161	1276	1398
W2445-1	663	731	822	923	1019	1120	1268	1395	1530
W948	423	464	522	590	651	711	809	884	973
W1248	462	513	569	647	707	783	882	973	1068
W1548	525	579	655	727	806	886	1000	1104	1223
W1848	588	648	726	819	904	984	1117	1227	1360
W2148	644	709	797	891	991	1083	1241	1362	1492
W2448-1	701	775	873	977	1082	1188	1341	1478	1620

# Wall Cabinets : General

## FOR ALL GENERAL WALL CABINETS

- 12", 15" and 18" high have no shelves; 21", 24" and 27" high have one shelf;  
30", 33" and 36" high have two adjustable shelves; 39", 42" and 45" high have three adjustable shelves; 48" high has four adjustable shelves
- Cabinets 42" wide and wider (except with doors prepared for glass) and all 24" deep cabinets 39" wide and wider, have a center support stile.  
Wood door styles have a coordinated wood veneer center support stile. All other door styles have a white, grey, or neutral birch melamine stile



- Designate L/R hinge (right shown)

### Wall Cabinet 30"-48" High – 9"-24" Wide

Price Grade      1      2      3      4      5      6      7      8      9

#### 15" Deep

W930-15	450	479	532	590	637	694	774	843	921
W1230-15	490	526	581	644	700	760	852	928	1013
W1530-15	510	544	605	668	730	796	889	971	1059
W1830-15	526	558	614	689	748	814	912	994	1087
W2130-15	532	570	630	700	760	830	928	1013	1103
W2430-1-15	583	621	688	764	828	904	1009	1101	1199
W933-15	460	490	542	603	654	711	795	864	945
W1233-15	501	534	592	657	716	777	870	949	1036
W1533-15	522	557	616	685	745	811	909	991	1081
W1833-15	537	575	633	708	770	837	940	1025	1122
W2133-15	578	616	684	760	826	899	1009	1100	1200
W2433-1-15	618	660	731	811	882	962	1076	1174	1281
W936-15	472	502	554	614	667	725	814	888	969
W1236-15	510	544	605	668	730	796	889	971	1059
W1536-15	532	570	630	700	760	830	928	1013	1103
W1836-15	552	591	655	725	795	862	969	1057	1156
W2136-15	572	613	681	755	824	897	1005	1099	1202
W2436-1-15	655	698	775	861	934	1021	1144	1246	1362
W939-15	480	513	568	629	685	742	832	909	990
W1239-15	522	557	616	686	744	811	910	990	1082
W1539-15	553	591	655	727	793	863	965	1054	1153
W1839-15	581	625	692	769	841	914	1028	1120	1227
W2139-15	613	657	729	809	884	962	1083	1183	1294
W2439-1-15	694	743	825	916	994	1088	1219	1331	1453
W942-15	490	526	581	644	700	760	852	928	1013
W1242-15	532	570	630	700	760	830	928	1013	1103
W1542-15	572	613	681	755	824	897	1005	1099	1202
W1842-15	612	660	729	812	888	964	1085	1182	1298
W2142-15	654	701	779	864	947	1030	1162	1271	1387
W2442-1-15	736	787	875	971	1057	1155	1294	1415	1543
W945-15	501	535	593	660	718	776	869	948	1034
W1245-15	541	583	641	716	774	847	947	1034	1125
W1545-15	592	635	708	781	856	931	1043	1141	1254
W1845-15	644	693	768	856	934	1015	1142	1245	1367
W2145-15	692	746	828	920	1008	1098	1241	1357	1480
W2445-1-15	774	832	923	1024	1120	1222	1367	1496	1632
W948-15	511	544	606	675	736	793	885	967	1055
W1248-15	551	595	652	731	789	863	965	1055	1147
W1548-15	612	657	735	807	888	965	1082	1182	1306
W1848-15	676	726	806	900	980	1066	1199	1307	1437
W2148-15	730	791	877	975	1069	1167	1320	1443	1572
W2448-1-15	812	878	970	1077	1183	1288	1441	1577	1722

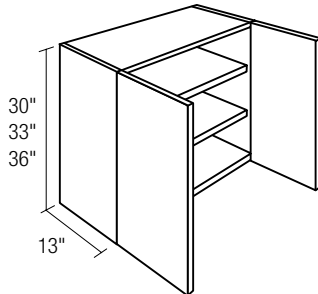
#### 24" Deep

W2130-24	670	728	774	873	962	1054	1127	1220	1323
W2430-24-1	691	746	802	898	987	1078	1168	1267	1376

# Wall Cabinets : General

## FOR ALL GENERAL WALL CABINETS

- 12", 15" and 18" high have no shelves; 21", 24" and 27" high have one shelf;  
30", 33" and 36" high have two adjustable shelves; 39", 42" and 45" high have three adjustable shelves; 48" high has four adjustable shelves
- Cabinets 42" wide and wider (except with doors prepared for glass) and all 24" deep cabinets 39" wide and wider, have a center support stile.  
Wood door styles have a coordinated wood veneer center support stile. All other door styles have a white, grey, or neutral birch melamine stile



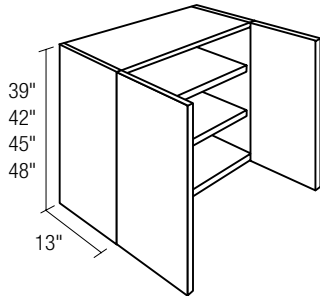
### Wall Cabinet 30"-36" High – 24"-42" Wide

Price Grade	1	2	3	4	5	6	7	8	9
<b>13" Deep</b>									
W2430	472	518	585	663	726	802	909	1000	1099
W2730	510	565	635	719	790	865	981	1082	1191
W3030	542	597	673	761	833	920	1045	1146	1262
W3330	571	632	711	802	882	973	1099	1210	1333
W3630	611	668	750	850	933	1021	1161	1273	1398
W3930	629	691	776	875	961	1057	1198	1317	1447
W4230	651	710	799	905	995	1096	1238	1364	1496
W4530	707	773	867	980	1081	1188	1341	1475	1624
W4830	761	834	938	1057	1164	1280	1447	1587	1749
W2433	507	558	630	712	780	861	976	1072	1181
W2733	549	605	677	768	843	928	1051	1158	1273
W3033	574	631	711	802	881	969	1101	1207	1329
W3333	609	668	752	853	935	1032	1166	1284	1414
W3633	656	720	807	912	1004	1102	1248	1373	1508
W3933	674	743	832	939	1032	1134	1284	1411	1551
W4233	707	773	867	980	1081	1188	1341	1475	1624
W4533	751	824	929	1046	1153	1271	1432	1572	1732
W4833	799	876	988	1111	1225	1352	1521	1670	1839
W2436	542	597	673	761	833	920	1045	1146	1262
W2736	586	644	720	816	898	988	1123	1233	1355
W3036	604	665	747	843	929	1017	1156	1268	1394
W3336	646	707	796	901	989	1091	1234	1360	1493
W3636	700	771	864	976	1073	1182	1337	1470	1616
W3936	722	795	887	1004	1102	1210	1373	1507	1657
W4236	761	834	938	1057	1164	1280	1447	1587	1749
W4536	799	876	988	1111	1225	1352	1521	1670	1839
W4836	836	916	1039	1166	1288	1422	1596	1751	1932

# Wall Cabinets : General

## FOR ALL GENERAL WALL CABINETS

- 12", 15" and 18" high have no shelves; 21", 24" and 27" high have one shelf; 30", 33" and 36" high have two adjustable shelves; 39", 42" and 45" high have three adjustable shelves; 48" high has four adjustable shelves
- Cabinets 42" wide and wider (except with doors prepared for glass) and all 24" deep cabinets 39" wide and wider, have a center support stile. Wood door styles have a coordinated wood veneer center support stile. All other door styles have a white, grey, or neutral birch melamine stile



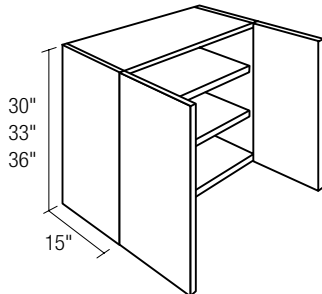
### Wall Cabinet 39"-48" High – 24"-42" Wide

Price Grade	1	2	3	4	5	6	7	8	9
<b>13" Deep</b>									
W2439	584	643	722	815	894	987	1119	1230	1352
W2739	630	693	776	881	971	1067	1208	1330	1462
W3039	661	726	815	921	1013	1111	1262	1386	1523
W3339	701	769	862	977	1073	1183	1337	1470	1618
W3639	750	826	928	1047	1152	1268	1433	1577	1734
W3939	793	870	977	1103	1213	1332	1510	1657	1822
W4239	826	905	1016	1148	1263	1391	1574	1727	1901
W4539	861	940	1057	1197	1313	1450	1636	1796	1980
W4839	896	975	1099	1243	1365	1510	1699	1867	2057
W2442	624	688	771	869	957	1053	1194	1312	1441
W2742	673	744	834	945	1041	1143	1294	1428	1569
W3042	717	787	883	1000	1098	1207	1367	1501	1649
W3342	755	831	931	1053	1161	1277	1441	1583	1746
W3642	801	881	988	1119	1231	1352	1528	1682	1850
W3942	858	949	1068	1202	1322	1453	1644	1808	1988
W4242	893	976	1098	1242	1362	1500	1698	1866	2053
W4542	928	1004	1127	1279	1404	1549	1751	1925	2119
W4842	961	1030	1156	1318	1445	1598	1805	1983	2183
W2445	663	731	822	923	1019	1120	1268	1395	1530
W2745	719	796	893	1009	1109	1222	1378	1524	1677
W3045	771	850	951	1076	1181	1302	1471	1620	1776
W3345	809	893	1000	1130	1246	1371	1546	1697	1871
W3645	853	934	1048	1191	1310	1435	1626	1787	1968
W3945	924	1025	1158	1303	1432	1575	1780	1960	2152
W4245	959	1046	1178	1334	1462	1610	1822	2003	2206
W4545	992	1067	1196	1362	1492	1648	1866	2052	2257
W4845	1028	1085	1215	1393	1523	1686	1909	2097	2310
W2448	701	775	873	977	1082	1188	1341	1478	1620
W2748	765	848	951	1072	1176	1301	1462	1621	1785
W3048	825	913	1018	1153	1264	1396	1575	1738	1902
W3348	863	954	1068	1208	1331	1466	1651	1810	1997
W3648	905	987	1109	1262	1389	1518	1724	1892	2085
W3948	989	1102	1249	1404	1542	1698	1916	2111	2316
W4248	1025	1117	1258	1427	1562	1721	1947	2140	2359
W4548	1057	1130	1264	1445	1580	1747	1981	2179	2395
W4848	1094	1140	1273	1468	1601	1775	2013	2210	2436

# Wall Cabinets : General

## FOR ALL GENERAL WALL CABINETS

- 12", 15" and 18" high have no shelves; 21", 24" and 27" high have one shelf;  
30", 33" and 36" high have two adjustable shelves; 39", 42" and 45" high have three adjustable shelves; 48" high has four adjustable shelves
- Cabinets 42" wide and wider (except with doors prepared for glass) and all 24" deep cabinets 39" wide and wider, have a center support stile.  
Wood door styles have a coordinated wood veneer center support stile. All other door styles have a white, grey, or neutral birch melamine stile



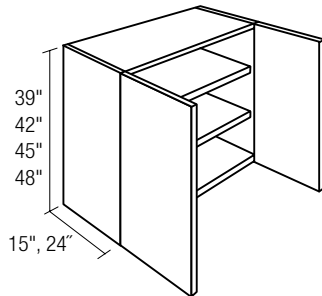
### Wall Cabinet 30"-36" High – 24"-48" Wide

Price Grade	1	2	3	4	5	6	7	8	9
<b>15" Deep</b>									
W2430-15	583	621	688	764	828	904	1009	1101	1199
W2730-15	623	666	740	818	889	966	1082	1182	1291
W3030-15	655	698	775	861	934	1021	1144	1246	1362
W3330-15	684	731	815	904	984	1072	1199	1311	1433
W3630-15	721	770	854	949	1033	1123	1260	1374	1499
W3930-15	740	793	881	975	1064	1160	1298	1418	1547
W4230-15	763	811	901	1005	1099	1197	1338	1465	1598
W4530-15	816	874	971	1082	1182	1289	1444	1577	1723
W4830-15	870	936	1041	1160	1266	1381	1547	1689	1849
W2433-15	618	660	731	811	882	962	1076	1174	1281
W2733-15	660	707	781	865	944	1028	1152	1257	1373
W3033-15	685	732	811	903	981	1070	1200	1307	1430
W3333-15	720	769	857	953	1036	1131	1268	1387	1514
W3633-15	766	822	911	1012	1102	1202	1350	1473	1608
W3933-15	785	842	935	1039	1133	1236	1385	1513	1653
W4233-15	816	874	971	1081	1182	1290	1444	1577	1723
W4533-15	910	977	1090	1213	1328	1451	1623	1771	1941
W4833-15	654	698	776	861	934	1019	1144	1247	1364
W2436-15	655	698	775	861	934	1021	1144	1246	1362
W2736-15	697	744	823	917	1000	1089	1223	1333	1456
W3036-15	716	767	851	945	1029	1119	1256	1367	1495
W3336-15	757	806	897	1002	1090	1193	1335	1461	1595
W3636-15	809	871	966	1075	1174	1282	1437	1574	1717
W3936-15	833	893	989	1104	1202	1311	1471	1607	1756
W4236-15	870	936	1041	1160	1266	1381	1547	1689	1849
W4536-15	909	979	1090	1214	1328	1450	1621	1771	1942
W4836-15	945	1022	1141	1268	1389	1520	1695	1851	2035

# Wall Cabinets : General

## FOR ALL GENERAL WALL CABINETS

- 12", 15" and 18" high have no shelves; 21", 24" and 27" high have one shelf;  
30", 33" and 36" high have two adjustable shelves; 39", 42" and 45" high have three adjustable shelves; 48" high has four adjustable shelves
- Cabinets 42" wide and wider (except with doors prepared for glass) and all 24" deep cabinets 39" wide and wider, have a center support stile.  
Wood door styles have a coordinated wood veneer center support stile. All other door styles have a white, grey, or neutral birch melamine stile



### Wall Cabinet 39"-48" High – 24"-42" Wide

Price Grade	1	2	3	4	5	6	7	8	9
<b>15" Deep</b>									
W2439-15	694	743	825	916	994	1088	1219	1331	1453
W2739-15	741	796	881	981	1070	1166	1309	1431	1563
W3039-15	771	827	917	1022	1112	1214	1362	1487	1623
W3339-15	811	869	965	1076	1174	1284	1437	1574	1719
W3639-15	861	926	1030	1147	1253	1367	1534	1677	1834
W3939-15	902	973	1080	1203	1312	1432	1608	1757	1925
W4239-15	938	1007	1120	1250	1364	1492	1673	1829	2001
W4539-15	974	1041	1162	1297	1416	1550	1736	1899	2080
W4839-15	1008	1073	1200	1341	1466	1609	1801	1968	2159
W2442-15	736	787	875	971	1057	1155	1294	1415	1543
W2742-15	784	844	938	1046	1140	1244	1394	1527	1671
W3042-15	827	888	986	1101	1198	1308	1468	1604	1751
W3342-15	864	931	1034	1155	1260	1377	1543	1685	1845
W3642-15	913	981	1091	1218	1332	1453	1631	1781	1952
W3942-15	970	1049	1169	1304	1423	1552	1747	1909	2088
W4242-15	1005	1075	1199	1341	1463	1603	1799	1967	2154
W4542-15	1039	1102	1228	1381	1501	1653	1851	2025	2219
W4842-15	1073	1128	1258	1419	1543	1701	1906	2083	2286
W2445-15	774	832	923	1024	1120	1222	1367	1496	1632
W2745-15	830	895	994	1110	1209	1322	1482	1626	1778
W3045-15	883	949	1053	1179	1281	1404	1575	1721	1876
W3345-15	920	992	1102	1231	1347	1470	1645	1797	1970
W3645-15	962	1036	1152	1290	1410	1538	1727	1887	2069
W3945-15	1036	1128	1260	1405	1533	1674	1882	2059	2253
W4245-15	1071	1146	1279	1435	1561	1713	1925	2105	2307
W4545-15	1104	1165	1299	1464	1590	1751	1967	2153	2357
W4845-15	1139	1183	1317	1494	1621	1790	2010	2197	2410
W2448-15	812	878	970	1077	1183	1288	1441	1577	1722
W2748-15	876	945	1050	1173	1279	1400	1569	1725	1885
W3048-15	939	1009	1119	1257	1364	1499	1682	1837	2002
W3348-15	975	1054	1171	1307	1433	1564	1747	1910	2095
W3648-15	1011	1091	1214	1363	1488	1623	1822	1993	2185
W3948-15	1101	1207	1352	1506	1642	1795	2017	2210	2417
W4248-15	1138	1217	1359	1528	1658	1823	2052	2243	2459
W4548-15	1170	1227	1369	1547	1678	1848	2082	2281	2496
W4848-15	1204	1238	1377	1569	1699	1880	2115	2312	2535

### 24" Deep

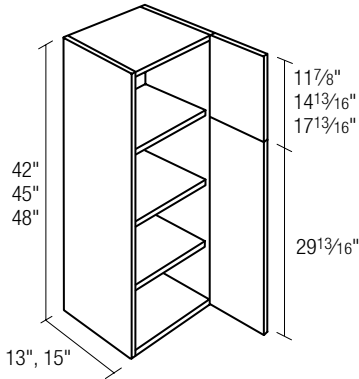
W2430-24	691	746	802	898	987	1078	1168	1267	1376
W2730-24	712	764	830	924	1012	1103	1209	1312	1429
W3030-24	732	780	857	951	1036	1128	1250	1360	1482
W3330-24	754	798	884	977	1061	1152	1291	1407	1530
W3630-24	782	826	904	1011	1087	1184	1320	1444	1575
W3930-24	791	832	920	1019	1105	1207	1349	1457	1584
W4230-24	806	857	944	1048	1136	1231	1367	1488	1614
W4530-24	825	882	966	1076	1165	1256	1388	1519	1642
W4830-24	842	907	990	1105	1195	1280	1407	1549	1671



# Wall Cabinets : Stacked Cabinets

FOR ALL STACKED WALL CABINETS

- 42", 45" and 48" high have two adjustable shelves in lower section
- Height of upper section cannot be modified without reconfiguration charge and specials drawing
- No charge height modifications can only be applied to lower section
- Prep For Glass modifications apply only to upper section, but entire cabinet will receive Finished Interior.
- For other configuration, add reconfigure charge and submit drawing
- Intermediate floor is split between upper and lower doors
- Stacked Cabinet height can be increased up to 60" using the Increased Height modification, and up to a max height of 66" using the Stacked Cabinet Modification Order Form; [find form on OneTouch](#) (drawings are required)



- Designate L/R hinge (right shown)

## Stacked Wall Cabinet 42"-48" High – 12"-24" Wide

Price Grade	1	2	3	4	5	6	7	8	9
-------------	---	---	---	---	---	---	---	---	---

### 13" Deep

WST1242	722	792	889	1004	1105	1213	1375	1512	1664
WST1542	748	824	926	1048	1153	1269	1433	1576	1735
WST1842	780	856	956	1085	1194	1311	1486	1634	1801
WST2142	808	885	988	1123	1225	1347	1538	1693	1857
WST2442-1	848	926	1041	1179	1295	1424	1621	1783	1961
WST1245	740	810	911	1028	1133	1242	1409	1549	1705
WST1545	766	844	948	1073	1181	1299	1467	1615	1777
WST1845	792	869	970	1100	1210	1330	1507	1658	1827
WST2145	819	905	1018	1152	1272	1396	1584	1740	1916
WST2445-1	859	949	1069	1209	1332	1466	1663	1828	2013
WST1248	757	830	933	1053	1160	1272	1442	1586	1746
WST1548	783	863	970	1099	1209	1330	1501	1653	1819
WST1848	810	889	993	1126	1240	1361	1543	1697	1870
WST2148	827	909	1018	1155	1268	1393	1579	1737	1911
WST2448-1	876	962	1084	1226	1348	1482	1679	1846	2029

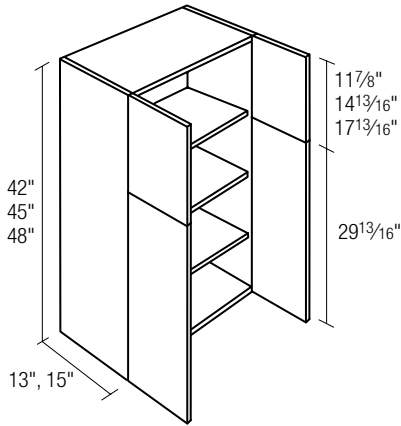
### 15" Deep

WST1242-15	867	934	1022	1135	1238	1334	1498	1633	1781
WST1542-15	897	971	1064	1184	1291	1395	1562	1703	1857
WST1842-15	937	1011	1100	1225	1337	1442	1620	1765	1926
WST2142-15	970	1044	1136	1269	1373	1481	1676	1828	1987
WST2442-1-15	1017	1093	1197	1332	1449	1568	1766	1926	2098
WST1245-15	888	957	1047	1162	1269	1366	1536	1673	1824
WST1545-15	918	995	1090	1213	1323	1430	1599	1743	1901
WST1845-15	951	1025	1116	1243	1356	1463	1643	1790	1954
WST2145-15	982	1067	1171	1302	1424	1537	1728	1880	2050
WST2445-1-15	1031	1120	1229	1366	1492	1613	1813	1974	2153
WST1248-15	909	980	1072	1190	1299	1398	1572	1712	1868
WST1548-15	940	1019	1116	1242	1354	1463	1636	1785	1946
WST1848-15	973	1049	1142	1273	1388	1497	1681	1833	2001
WST2148-15	992	1072	1171	1305	1419	1533	1722	1875	2045
WST2448-1-15	1050	1135	1247	1386	1509	1629	1830	1994	2172

# Wall Cabinets : Stacked Cabinets

**FOR ALL STACKED WALL CABINETS**

- 42", 45" and 48" high have two adjustable shelves in lower section
- Height of upper section cannot be modified without reconfiguration charge and specials drawing
- No charge height modifications can only be applied to lower section
- Prep For Glass modifications apply only to upper section, but entire cabinet will receive Finished Interior.
- For other configuration, add reconfigure charge and submit drawing
- Intermediate floor is split between upper and lower doors
- Stacked Cabinet height can be increased up to 60" using the Increased Height modification, and up to a max height of 66" using the Stacked Cabinet Modification Order Form; see OneTouch (drawings are required)



## Stacked Wall Cabinet 42"-48" High – 24"-36" Wide

Price Grade	1	2	3	4	5	6	7	8	9
-------------	---	---	---	---	---	---	---	---	---

### 13" Deep

WST2442	848	926	1041	1179	1295	1424	1621	1783	1961
WST2742	889	981	1099	1246	1365	1498	1704	1879	2066
WST3042	925	1018	1145	1296	1421	1566	1778	1953	2151
WST3342	963	1065	1197	1351	1490	1640	1855	2042	2248
WST3642	1020	1117	1252	1418	1556	1708	1935	2125	2336
WST2445	859	949	1069	1209	1332	1466	1663	1828	2013
WST2745	906	1003	1127	1274	1403	1538	1744	1919	2112
WST3045	945	1041	1172	1325	1455	1599	1815	1993	2192
WST3345	993	1096	1231	1391	1533	1688	1908	2100	2311
WST3645	1058	1162	1302	1473	1620	1776	2013	2211	2424
WST2448	876	962	1084	1226	1348	1482	1679	1846	2029
WST2748	933	1030	1156	1308	1440	1581	1790	1971	2168
WST3048	986	1085	1220	1382	1513	1668	1891	2077	2285
WST3348	1035	1142	1281	1447	1594	1754	1988	2187	2407
WST3648	1100	1205	1353	1528	1680	1845	2090	2294	2525

### 15" Deep

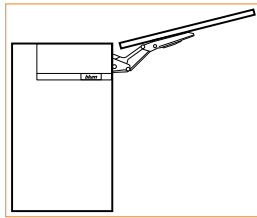
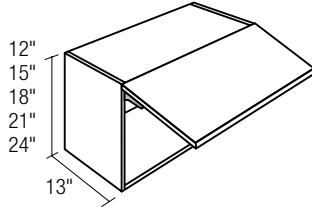
WST2442-15	1017	1093	1197	1332	1449	1568	1766	1926	2098
WST2742-15	1067	1157	1263	1408	1529	1648	1857	2028	2210
WST3042-15	1111	1201	1317	1464	1593	1722	1938	2109	2301
WST3342-15	1155	1257	1377	1526	1669	1804	2022	2205	2406
WST3642-15	1224	1318	1440	1603	1743	1879	2108	2294	2500
WST2445-15	1031	1120	1229	1366	1492	1613	1813	1974	2153
WST2745-15	1087	1183	1296	1439	1571	1690	1901	2073	2261
WST3045-15	1135	1228	1349	1497	1628	1759	1978	2152	2346
WST3345-15	1192	1293	1416	1572	1716	1857	2079	2268	2473
WST3645-15	1270	1370	1497	1666	1814	1953	2193	2388	2593
WST2448-15	1050	1135	1247	1386	1509	1629	1830	1994	2172
WST2748-15	1119	1216	1330	1478	1613	1739	1951	2129	2320
WST3048-15	1182	1280	1403	1562	1694	1835	2061	2243	2444
WST3348-15	1243	1348	1473	1635	1785	1929	2166	2362	2576
WST3648-15	1320	1421	1555	1727	1882	2029	2279	2478	2701

# Wall Cabinets : Cabinets with Flip Door

**FOR ALL FLIP-UP DOOR CABINETS**

- 12", 15", and 18" high have no shelves; 21" and 24" high have one adjustable shelf
- Maximum soffit extension flush with top of cabinet = 2 1/4"
- Due to the weight of some door materials, not all size combinations are allowed

- Available with Touch Latch; see page 9.5
- Press door and it opens to 3/4"; enough to then open with fingers
- Cabinets, up to 30" wide, will have one Touch Latch in lower right corner
- Cabinets 30" and wider will have two Touch Latches, one in each lower corner; press both lower corners simultaneously to release latches and open door 3/4"



Height	Depth	Width
<b>Modifications:</b>	<b>Modifications:</b>	<b>Modification:</b>
Minimum = 10"	Minimum = 8 3/4"	Minimum = 15"
Maximum = 24"	Maximum = 27"	Maximum = 42"

**Required Door Clearance to Ceiling**

(not including door decorative hardware):

- 12" high = 4 13/16"
- 15" high = 5 3/4"
- 18" high = 6 9/16"
- 21" high = 7 1/16"
- 24" high = 8 5/16"

For modified cabinet: (cabinet height x .29) + 1 3/8"

## Wall Cabinet 12"-24" High – Flip Door, 12" Deep

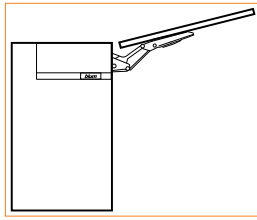
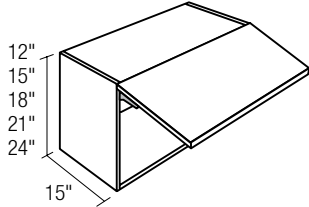
Price Grade	1	2	3	4	5	6	7	8	9
<b>13" Deep</b>									
WP1512HK	561	616	680	718	763	814	885	952	1022
WP1812HK	569	627	692	727	774	828	904	969	1042
WP2112HK	579	636	703	739	784	841	917	986	1060
WP2412HK	609	670	739	776	832	885	973	1042	1122
WP2712HK	616	680	750	794	843	907	990	1065	1146
WP3012HK	629	691	763	803	857	916	1005	1075	1160
WP3312HK	637	701	776	820	879	939	1023	1101	1184
WP3612HK	655	720	796	837	891	956	1046	1122	1206
WP3912HK	670	738	814	857	907	975	1068	1141	1226
WP4212HK	687	755	832	877	920	991	1089	1163	1246
WP1515HK	588	646	716	751	801	857	936	1005	1081
WP1815HK	597	657	725	766	814	871	951	1021	1100
WP2115HK	609	670	739	776	832	885	973	1042	1122
WP2415HK	616	680	750	794	843	907	990	1065	1146
WP2715HK	648	716	793	833	887	950	1039	1118	1201
WP3015HK	648	716	793	833	887	950	1039	1118	1201
WP3315HK	666	732	812	858	918	985	1080	1161	1248
WP3615HK	694	765	844	891	956	1022	1122	1206	1298
WP3915HK	722	796	877	924	992	1061	1164	1251	1347
WP4215HK	750	826	909	958	1030	1100	1206	1298	1394
WP1518HK	597	657	725	766	814	871	951	1021	1100
WP1818HK	667	736	803	841	896	950	1035	1105	1184
WP2118HK	674	742	818	856	909	971	1054	1129	1210
WP2418HK	708	778	857	897	951	1014	1103	1181	1267
WP2718HK	724	798	880	922	984	1048	1142	1223	1312
WP3018HK	749	825	907	951	1014	1083	1181	1267	1358
WP3318HK	767	843	931	980	1047	1118	1222	1311	1409
WP3618HK	794	871	962	1014	1082	1156	1266	1357	1462
WP3918HK	818	899	993	1047	1117	1195	1307	1401	1514
WP4218HK	843	928	1025	1081	1150	1233	1350	1447	1567
WP1521HK	664	730	802	843	890	950	1030	1102	1182
WP1821HK	681	748	816	853	914	962	1055	1127	1207
WP2121HK	682	750	831	871	918	990	1073	1152	1237
WP2421HK	740	814	897	939	993	1057	1152	1234	1321
WP2721HK	742	816	899	949	1015	1083	1182	1267	1360
WP3021HK	793	870	956	1005	1075	1152	1258	1351	1450
WP3321HK	808	889	984	1037	1110	1185	1302	1400	1504
WP3621HK	832	915	1015	1071	1142	1224	1343	1444	1561
WP3921HK	854	939	1041	1100	1178	1255	1389	1491	1613
WP4221HK	881	969	1076	1140	1224	1305	1437	1552	1678
WP1524HK	673	741	814	857	904	962	1046	1119	1201
WP1824HK	693	764	828	863	931	978	1075	1146	1228
WP2124HK	689	757	844	887	930	1012	1092	1174	1262
WP2424HK	773	851	938	979	1037	1101	1200	1285	1376
WP2724HK	760	835	921	975	1047	1118	1222	1308	1408
WP3024HK	833	916	1006	1059	1139	1220	1337	1434	1543
WP3324HK	852	936	1035	1096	1174	1255	1381	1489	1602
WP3624HK	871	958	1068	1129	1203	1294	1423	1529	1660
WP3924HK	910	1000	1119	1182	1262	1361	1496	1616	1750
WP4224HK	932	1024	1140	1216	1297	1398	1541	1659	1799

# Wall Cabinets : Cabinets with Flip Door

## FOR ALL FLIP-UP DOOR CABINETS

- 12", 15", and 18" high have no shelves; 21" and 24" high have one adjustable shelf
- Maximum soffitt extension flush with top of cabinet = 2 1/4"
- Due to the weight of some door materials, not all size combinations are allowed

- Available with Touch Latch; see page 9.5
- Press door and it opens to 3/4"; enough to then open with fingers
- Cabinets, up to 30" wide, will have one Touch Latch in lower right corner
- Cabinets 30" and wider will have two Touch Latches, one in each lower corner; press both lower corners simultaneously to release latches and open door 3/4"



Height	Depth	Width
<b>Modifications:</b>	<b>Modifications:</b>	<b>Modification:</b>
Minimum = 10"	Minimum = 8 3/4"	Minimum = 15"
Maximum = 24"	Maximum = 27"	Maximum = 42"

### Required Door Clearance to Ceiling

(not including door decorative hardware):

- 12" high = 4 13/16"
- 15" high = 5 3/4"
- 18" high = 6 9/16"
- 21" high = 7 7/16"
- 24" high = 8 5/16"

For modified cabinet: (cabinet height x .29) + 1 3/8"

## Wall Cabinet 12"-24" High – Flip Door, 15" Deep

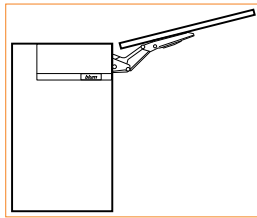
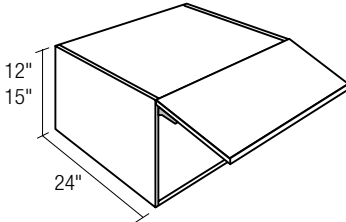
Price Grade	1	2	3	4	5	6	7	8	9
<b>15" Deep</b>									
WP1512-15HK	597	657	722	756	802	855	924	992	1064
WP1812-15HK	604	664	731	767	812	865	942	1008	1081
WP2112-15HK	614	674	743	776	825	880	956	1023	1099
WP2412-15HK	657	722	793	828	883	938	1022	1092	1171
WP2712-15HK	663	729	803	843	894	957	1042	1117	1198
WP3012-15HK	674	742	815	855	910	966	1055	1128	1209
WP3312-15HK	685	752	830	870	929	989	1074	1152	1237
WP3612-15HK	700	770	850	889	944	1008	1098	1171	1256
WP3912-15HK	717	787	863	910	958	1024	1117	1194	1278
WP4212-15HK	730	803	881	928	975	1044	1136	1214	1301
WP1515-15HK	636	700	770	804	855	912	989	1059	1134
WP1815-15HK	643	708	779	816	864	922	1003	1072	1150
WP2115-15HK	657	722	793	828	883	938	1022	1092	1171
WP2415-15HK	663	729	803	843	894	957	1042	1117	1198
WP2715-15HK	695	766	844	884	939	1002	1090	1168	1253
WP3015-15HK	695	766	844	884	939	1002	1090	1168	1253
WP3315-15HK	714	783	864	911	971	1035	1130	1210	1301
WP3615-15HK	741	815	897	944	1008	1073	1171	1256	1350
WP3915-15HK	768	844	926	978	1044	1112	1215	1304	1396
WP4215-15HK	796	875	956	1013	1080	1153	1256	1352	1447
WP1518-15HK	645	710	781	820	867	924	1005	1074	1153
WP1818-15HK	716	784	857	891	948	1002	1087	1158	1237
WP2118-15HK	721	795	870	909	958	1021	1105	1180	1262
WP2418-15HK	754	830	912	949	1003	1065	1155	1233	1317
WP2718-15HK	771	850	932	975	1034	1100	1195	1275	1364
WP3018-15HK	797	876	959	1003	1065	1134	1233	1317	1409
WP3318-15HK	814	894	985	1032	1099	1168	1274	1362	1461
WP3618-15HK	837	922	1016	1065	1133	1207	1315	1408	1513
WP3918-15HK	861	949	1046	1099	1167	1247	1358	1453	1565
WP4218-15HK	885	975	1076	1131	1201	1289	1400	1496	1615
WP1521-15HK	711	781	856	894	942	1002	1082	1153	1234
WP1821-15HK	726	800	869	904	964	1015	1107	1178	1257
WP2121-15HK	727	801	884	922	971	1042	1125	1202	1288
WP2421-15HK	785	864	951	989	1046	1108	1202	1284	1373
WP2721-15HK	790	867	953	1000	1067	1134	1234	1317	1412
WP3021-15HK	836	921	1009	1055	1128	1202	1310	1401	1500
WP3321-15HK	856	941	1036	1089	1163	1238	1353	1451	1556
WP3621-15HK	879	965	1069	1123	1195	1276	1394	1494	1613
WP3921-15HK	898	989	1092	1150	1228	1307	1438	1543	1663
WP4221-15HK	928	1019	1130	1193	1276	1357	1490	1605	1729
WP1524-15HK	720	794	865	910	954	1015	1098	1169	1253
WP1824-15HK	740	814	882	915	984	1029	1128	1198	1279
WP2124-15HK	737	808	897	939	981	1063	1143	1226	1312
WP2424-15HK	820	901	990	1030	1089	1152	1251	1337	1428
WP2724-15HK	805	887	975	1024	1099	1168	1274	1359	1460
WP3024-15HK	880	966	1059	1109	1191	1273	1389	1487	1595
WP3324-15HK	896	987	1088	1146	1226	1307	1432	1541	1653
WP3624-15HK	917	1011	1120	1180	1255	1346	1473	1581	1713
WP3924-15HK	915	1008	1120	1177	1251	1343	1468	1580	1701
WP4224-15HK	939	1033	1141	1209	1285	1381	1512	1624	1751

# Wall Cabinets : Cabinets with Flip Door

## FOR ALL FLIP-UP DOOR CABINETS

- 12", 15", and 18" high have no shelves; 21" and 24" high have one adjustable shelf
- Maximum soffit extension flush with top of cabinet = 2 1/4"
- Due to the weight of some door materials, not all size combinations are allowed

- Available with Touch Latch; see page 9.5
- Press door and it opens to 3/4"; enough to then open with fingers
- Cabinets, up to 30" wide, will have one Touch Latch in lower right corner
- Cabinets 30" and wider will have two Touch Latches, one in each lower corner; press both lower corners simultaneously to release latches and open door 3/4"



### Height

#### Modifications:

Minimum = 10"

Maximum = 24"

### Depth

#### Modifications:

Minimum = 8 3/4"

Maximum = 27"

### Width

#### Modification:

Minimum = 15"

Maximum = 42"

### Required Door Clearance to Ceiling

(not including door decorative hardware):

12" high = 4 13/16"

15" high = 5 3/4"

18" high = 6 9/16"

21" high = 7 7/16"

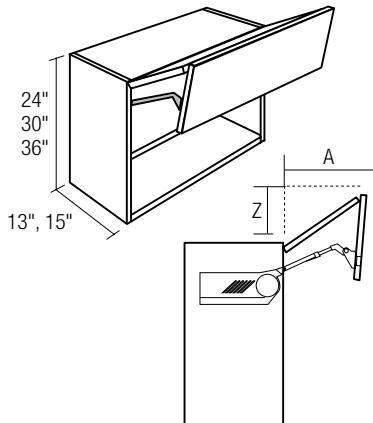
24" high = 8 5/16"

For modified cabinet: (cabinet height x .29) + 1 3/8"

## Wall Cabinet 12"-15" High – Flip Door. 24" Deep

Price Grade	1	2	3	4	5	6	7	8	9
<b>24" Deep</b>									
WP3012-24HK	778	856	941	989	1051	1123	1226	1312	1408
WP3312-24HK	787	865	951	994	1053	1122	1218	1300	1391
WP3612-24HK	798	877	959	1003	1055	1119	1213	1284	1375
WP3315-24HK	823	905	990	1032	1090	1156	1250	1331	1421

# Wall Cabinets : Cabinets with Bi-Fold Door



- 24" high has one adjustable shelf; 30" and 36" high have two adjustable shelves
- No center support stile
- For modified cabinet: Z = top door height x .44 + 7/8"
- Height modifications:  
Minimum = 22"  
Maximum = 42"
- Depth modifications:  
Minimum = 12 1/8"  
Maximum = 24"
- Width modification:  
Minimum = 12"  
Maximum = 42"
- Clearance required over cabinet with doors open:

A =	11 3/4"	14 5/8"	17 1/16"
Z =	6 1/8"	7 1/2"	8 7/8"

- Due to the weight of some door materials, not all size combinations are allowed

## Wall Cabinet 24", 30" & 36" High – Horizontal Bi-Fold Door

Price Grade	1	2	3	4	5	6	7	8	9
-------------	---	---	---	---	---	---	---	---	---

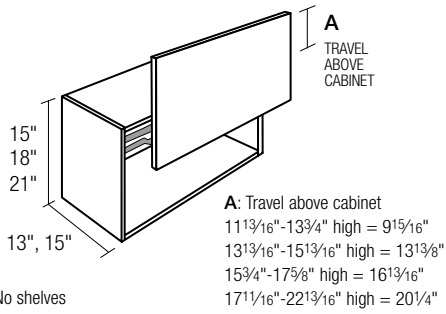
### 13" Deep

HBFW2124HF	1072	1179	1275	1301	1362	1428	1523	1603	1690
HBFW2424HF	1092	1201	1302	1332	1392	1461	1558	1643	1738
HBFW2724HF	1110	1220	1323	1360	1427	1495	1602	1689	1788
HBFW3024HF	1133	1246	1351	1389	1456	1529	1639	1732	1835
HBFW3324HF	1152	1268	1376	1418	1487	1567	1673	1771	1877
HBFW3624HF	1178	1296	1406	1449	1525	1603	1721	1819	1934
HBFW3924HF	1216	1337	1458	1501	1582	1671	1795	1907	2022
HBFW4224HF	1240	1362	1482	1534	1615	1709	1838	1950	2073
HBFW2130HF	1095	1203	1300	1331	1391	1462	1561	1644	1735
HBFW2430HF	1123	1236	1337	1375	1438	1515	1621	1713	1811
HBFW2730HF	1165	1280	1390	1430	1500	1579	1695	1794	1903
HBFW3030HF	1194	1312	1429	1470	1546	1634	1757	1861	1974
HBFW3330HF	1225	1349	1467	1514	1596	1684	1812	1925	2047
HBFW3630HF	1258	1386	1508	1560	1645	1734	1873	1986	2112
HBFW3930HF	1278	1406	1533	1584	1676	1769	1911	2029	2159
HBFW4230HF	1297	1427	1556	1616	1710	1808	1952	2078	2210
HBFW2136HF	1134	1247	1352	1387	1456	1528	1639	1731	1835
HBFW2436HF	1194	1312	1429	1470	1546	1634	1757	1861	1974
HBFW2736HF	1236	1359	1475	1527	1610	1701	1836	1944	2067
HBFW3036HF	1255	1381	1503	1555	1642	1731	1870	1980	2108
HBFW3336HF	1293	1422	1552	1613	1703	1805	1946	2074	2207
HBFW3636HF	1352	1488	1625	1686	1787	1895	2052	2185	2328
HBFW3936HF	1371	1510	1645	1715	1815	1925	2085	2219	2371
HBFW4236HF	1408	1549	1698	1768	1875	1995	2160	2301	2461

### 15" Deep

HBFW2124-15HF	1118	1230	1329	1352	1415	1478	1575	1654	1742
HBFW2424-15HF	1139	1253	1356	1385	1444	1512	1609	1694	1789
HBFW2724-15HF	1156	1273	1376	1412	1476	1547	1653	1741	1838
HBFW3024-15HF	1180	1298	1404	1438	1507	1581	1689	1782	1887
HBFW3324-15HF	1198	1318	1430	1468	1538	1617	1723	1822	1930
HBFW3624-15HF	1224	1347	1460	1499	1577	1654	1773	1871	1986
HBFW3924-15HF	1262	1389	1512	1552	1635	1721	1847	1960	2074
HBFW4224-15HF	1285	1415	1533	1584	1667	1759	1891	2001	2123
HBFW2130-15HF	1165	1280	1380	1408	1467	1540	1639	1721	1812
HBFW2430-15HF	1210	1331	1437	1469	1536	1610	1717	1808	1907
HBFW2730-15HF	1251	1377	1490	1525	1598	1676	1792	1891	1999
HBFW3030-15HF	1280	1409	1527	1568	1642	1729	1855	1956	2072
HBFW3330-15HF	1311	1444	1567	1609	1690	1780	1908	2020	2142
HBFW3630-15HF	1347	1482	1607	1656	1742	1831	1969	2081	2208
HBFW3930-15HF	1366	1501	1634	1682	1771	1866	2007	2125	2255
HBFW4230-15HF	1385	1522	1657	1713	1806	1904	2048	2174	2307
HBFW2136-15HF	1203	1325	1432	1463	1530	1606	1715	1807	1911
HBFW2436-15HF	1280	1409	1527	1568	1642	1729	1855	1956	2072
HBFW2736-15HF	1323	1456	1576	1624	1708	1796	1933	2042	2162
HBFW3036-15HF	1341	1476	1603	1651	1738	1827	1966	2076	2204
HBFW3336-15HF	1380	1519	1653	1709	1797	1901	2044	2168	2302
HBFW3636-15HF	1438	1582	1723	1782	1882	1991	2149	2281	2424
HBFW3936-15HF	1460	1605	1747	1811	1910	2020	2182	2315	2466
HBFW4236-15HF	1495	1645	1797	1865	1971	2090	2257	2399	2557

# Wall Cabinets : Cabinets with Swing-Up Door

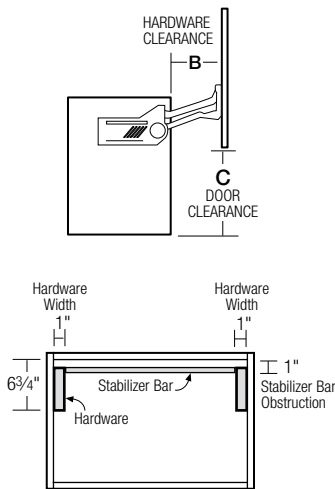


- No shelves
- No center support stile
- Due to the weight of some door materials, not all size combinations are allowed

### Height modifications

for swing-up section:	Depth modifications:	Width modification:
Minimum = 11 <sup>13</sup> / <sub>16</sub> "	Minimum = 12 <sup>1</sup> / <sub>8</sub> "	Minimum = 12"
Maximum = 22 <sup>13</sup> / <sub>16</sub> "	Maximum = 24"	Maximum = 42"

- B:** Distance between back of open door and face of cabinet  
 11<sup>13</sup>/<sub>16</sub>"-13<sup>3</sup>/<sub>4</sub>" high = 4<sup>1</sup>/<sub>2</sub>"  
 13<sup>13</sup>/<sub>16</sub>"-15<sup>13</sup>/<sub>16</sub>" high = 5<sup>3</sup>/<sub>4</sub>"  
 15<sup>3</sup>/<sub>4</sub>"-17<sup>5</sup>/<sub>8</sub>" high = 7"  
 17<sup>11</sup>/<sub>16</sub>"-22<sup>13</sup>/<sub>16</sub>" high = 8<sup>1</sup>/<sub>4</sub>"
- C:** Distance between bottom of open door to bottom of cabinet  
 11<sup>13</sup>/<sub>16</sub>"-13<sup>3</sup>/<sub>4</sub>" high = 10<sup>1</sup>/<sub>16</sub>"  
 13<sup>13</sup>/<sub>16</sub>"-15<sup>13</sup>/<sub>16</sub>" high = 13<sup>1</sup>/<sub>2</sub>"  
 15<sup>3</sup>/<sub>4</sub>"-17<sup>5</sup>/<sub>8</sub>" high = 16<sup>1</sup>/<sub>2</sub>"  
 17<sup>11</sup>/<sub>16</sub>"-22<sup>13</sup>/<sub>16</sub>" high = 20<sup>3</sup>/<sub>8</sub>"



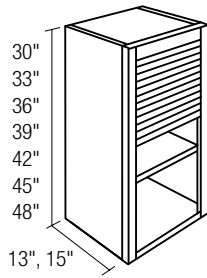
## Wall Cabinet 15", 18" & 21" High – Swing-Up Door

Price Grade	1	2	3	4	5	6	7	8	9
<b>13" Deep</b>									
SUW2115HL	1424	1567	1793	1983	2181	2400	2710	2982	3279
SUW2415HL	1435	1579	1808	1998	2197	2418	2734	3007	3305
SUW2715HL	1467	1615	1848	2043	2247	2472	2792	3071	3380
SUW3015HL	1478	1626	1862	2056	2263	2490	2813	3094	3403
SUW3315HL	1488	1637	1873	2072	2277	2506	2829	3115	3428
SUW3615HL	1514	1666	1906	2105	2316	2549	2879	3166	3484
SUW3915HL	1538	1690	1935	2140	2352	2589	2924	3217	3540
SUW4215HL	1558	1715	1963	2169	2387	2628	2968	3266	3592
SUW2118HL	1435	1579	1808	1998	2197	2418	2734	3007	3305
SUW2418HL	1467	1615	1848	2043	2247	2472	2792	3071	3380
SUW2718HL	1488	1637	1873	2072	2277	2506	2829	3115	3428
SUW3018HL	1510	1659	1901	2100	2310	2541	2874	3160	3475
SUW3318HL	1527	1682	1925	2125	2340	2572	2906	3196	3516
SUW3618HL	1555	1712	1959	2163	2380	2618	2957	3254	3578
SUW3918HL	1579	1736	1988	2195	2415	2657	3002	3301	3631
SUW4218HL	1603	1762	2017	2228	2449	2695	3045	3353	3685
SUW2121HL	1447	1594	1822	2014	2217	2440	2758	3032	3333
SUW2421HL	1500	1651	1888	2086	2295	2524	2852	3136	3453
SUW2721HL	1508	1658	1900	2099	2309	2539	2868	3159	3475
SUW3021HL	1549	1705	1953	2158	2373	2611	2952	3247	3570
SUW3321HL	1569	1725	1974	2181	2400	2638	2982	3278	3606
SUW3621HL	1598	1756	2009	2223	2444	2686	3037	3339	3673
SUW3921HL	1621	1782	2040	2253	2476	2727	3081	3387	3726
SUW4221HL	1644	1809	2069	2287	2513	2764	3124	3437	3779

## 15" Deep

SUW2115-15HL	1469	1617	1847	2033	2232	2448	2763	3034	3331
SUW2415-15HL	1484	1631	1862	2049	2250	2471	2786	3057	3358
SUW2715-15HL	1515	1667	1902	2094	2299	2523	2845	3122	3431
SUW3015-15HL	1525	1678	1913	2108	2314	2539	2861	3145	3456
SUW3315-15HL	1534	1688	1927	2122	2328	2557	2882	3166	3479
SUW3615-15HL	1560	1716	1960	2156	2369	2599	2929	3217	3536
SUW3915-15HL	1583	1742	1989	2191	2405	2638	2975	3268	3590
SUW4215-15HL	1605	1766	2017	2222	2440	2678	3018	3319	3644
SUW2118-15HL	1484	1631	1862	2049	2250	2471	2786	3057	3358
SUW2418-15HL	1515	1667	1902	2094	2299	2523	2845	3122	3431
SUW2718-15HL	1534	1688	1927	2122	2328	2557	2882	3166	3479
SUW3018-15HL	1555	1712	1954	2152	2361	2593	2923	3211	3524
SUW3318-15HL	1576	1733	1976	2178	2388	2625	2957	3247	3569
SUW3618-15HL	1603	1762	2010	2215	2433	2668	3009	3303	3628
SUW3918-15HL	1625	1788	2041	2247	2466	2708	3054	3354	3683
SUW4218-15HL	1648	1814	2069	2280	2501	2746	3097	3402	3737
SUW2121-15HL	1493	1643	1875	2063	2268	2492	2807	3082	3386
SUW2421-15HL	1547	1703	1941	2137	2347	2575	2903	3188	3506
SUW2721-15HL	1553	1710	1953	2151	2360	2592	2920	3209	3524
SUW3021-15HL	1597	1755	2004	2209	2423	2664	3002	3299	3621
SUW3321-15HL	1616	1778	2027	2232	2448	2690	3034	3330	3657
SUW3621-15HL	1644	1808	2061	2273	2496	2738	3088	3392	3724
SUW3921-15HL	1667	1834	2093	2303	2528	2777	3132	3437	3776
SUW4221-15HL	1691	1862	2122	2338	2564	2816	3176	3488	3831

# Wall Cabinets : Cabinets with Metal Tambour Door



- Finished Ends standard
- Width modification not available
- Reduced depth modification not available
- 30", 33" and 36" high have one adjustable shelf
- 39", 42", 45" high have two adjustable shelves
- 48" high has three adjustable shelves

## Wall Cabinet with Aluminum Tambour

	Melamine	Eurotek	Textured Melamine	Standard Thermofoil	Premium Thermofoil	Wood	Wood Premium	Metal	UltraLux
--	----------	---------	-------------------	---------------------	--------------------	------	--------------	-------	----------

### 13" Deep

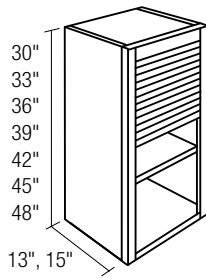
WTAM2430	1513	1513	1605	1605	2546	2208	2274	2546	2546
WTAM2433	1553	1553	1653	1653	2584	2264	2333	2584	2584
WTAM2436	1593	1593	1701	1701	2623	2322	2394	2623	2623
WTAM2439	1629	1629	1744	1744	2663	2365	2440	2663	2663
WTAM2442	1664	1664	1786	1786	2704	2410	2487	2704	2704
WTAM2445	1684	1684	1810	1810	2749	2440	2519	2749	2749
WTAM2448	1703	1703	1833	1833	2794	2470	2551	2794	2794
WTAM3030	1585	1585	1691	1691	2630	2265	2334	2630	2630
WTAM3033	1624	1624	1738	1738	2665	2321	2393	2665	2665
WTAM3036	1664	1664	1786	1786	2701	2377	2453	2701	2701
WTAM3039	1698	1698	1827	1827	2748	2422	2500	2748	2748
WTAM3042	1732	1732	1867	1867	2794	2470	2551	2794	2794
WTAM3045	1775	1775	1919	1919	2861	2537	2622	2861	2861
WTAM3048	1818	1818	1971	1971	2927	2602	2690	2927	2927
WTAM3630	1657	1657	1777	1777	2714	2323	2395	2714	2714
WTAM3633	1696	1696	1824	1824	2746	2377	2453	2746	2746
WTAM3636	1735	1735	1871	1871	2779	2432	2511	2779	2779
WTAM3639	1768	1768	1911	1911	2832	2479	2560	2832	2832
WTAM3642	1801	1801	1950	1950	2885	2530	2614	2885	2885
WTAM3645	1866	1866	2028	2028	2973	2633	2723	2973	2973
WTAM3648	1896	1896	2064	2064	3111	2767	2865	3111	3111

### 15" Deep

WTAM2430-15	1620	1620	1733	1733	2709	2315	2387	2709	2709
WTAM2433-15	1661	1661	1782	1782	2748	2371	2446	2748	2748
WTAM2436-15	1701	1701	1830	1830	2786	2429	2508	2786	2786
WTAM2439-15	1737	1737	1873	1873	2824	2473	2554	2824	2824
WTAM2442-15	1773	1773	1917	1917	2865	2517	2601	2865	2865
WTAM2445-15	1793	1793	1941	1941	2911	2547	2632	2911	2911
WTAM2448-15	1811	1811	1962	1962	2956	2577	2664	2956	2956
WTAM3030-15	1691	1691	1818	1818	2790	2373	2448	2790	2790
WTAM3033-15	1722	1722	1855	1855	2818	2429	2508	2818	2818
WTAM3036-15	1773	1773	1917	1917	2863	2485	2567	2863	2863
WTAM3039-15	1805	1805	1955	1955	2910	2530	2614	2910	2910
WTAM3042-15	1838	1838	1995	1995	2956	2577	2664	2956	2956
WTAM3045-15	1881	1881	2046	2046	3022	2644	2735	3022	3022
WTAM3048-15	1924	1924	2098	2098	3087	2710	2805	3087	3087
WTAM3630-15	1762	1762	1903	1903	2871	2432	2511	2871	2871
WTAM3633-15	1783	1783	1929	1929	2889	2543	2628	2889	2889
WTAM3636-15	1845	1845	2003	2003	2940	2541	2626	2940	2940
WTAM3639-15	1874	1874	2038	2038	2995	2588	2676	2995	2995
WTAM3642-15	1904	1904	2074	2074	3048	2637	2727	3048	3048
WTAM3645-15	1969	1969	2152	2152	3133	2740	2836	3133	3133
WTAM3648-15	2004	2004	2194	2194	3272	2873	2977	3272	3272



# Wall Cabinets : Cabinets with Metal Tambour Door



- Finished Ends standard
- Width modification not available
- Reduced depth modification not available
- 30", 33" and 36" high have one adjustable shelf
- 39", 42", 45" high have two adjustable shelves
- 48" high has three adjustable shelves

## Wall Cabinet with Stainless Steel Tambour

	Melamine	Eurotek	Textured Melamine	Standard Thermofoil	Premium Thermofoil	Wood	Wood Premium	Metal	UltraLux
--	----------	---------	-------------------	---------------------	--------------------	------	--------------	-------	----------

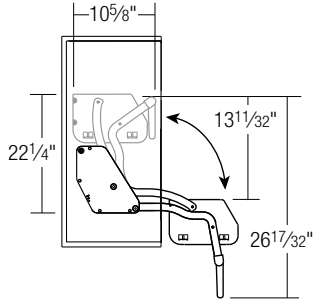
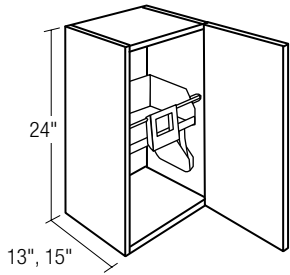
### 13" Deep

WTAM2430	1834	1834	1926	1926	2867	2529	2595	2867	2867
WTAM2433	1874	1874	1974	1974	2905	2585	2654	2905	2905
WTAM2436	1914	1914	2022	2022	2944	2643	2715	2944	2944
WTAM2439	1950	1950	2065	2065	2984	2686	2761	2984	2984
WTAM2442	1985	1985	2107	2107	3025	2731	2808	3025	3025
WTAM2445	2005	2005	2131	2131	3070	2761	2840	3070	3070
WTAM2448	2024	2024	2154	2154	3115	2791	2872	3115	3115
WTAM3030	1906	1906	2012	2012	2951	2586	2655	2951	2951
WTAM3033	1945	1945	2059	2059	2986	2642	2714	2986	2986
WTAM3036	1985	1985	2107	2107	3022	2698	2774	3022	3022
WTAM3039	2019	2019	2148	2148	3069	2743	2821	3069	3069
WTAM3042	2053	2053	2188	2188	3115	2791	2872	3115	3115
WTAM3045	2096	2096	2240	2240	3182	2858	2943	3182	3182
WTAM3048	2139	2139	2292	2292	3248	2923	3011	3248	3248
WTAM3630	1978	1978	2098	2098	3035	2644	2716	3035	3035
WTAM3633	2017	2017	2145	2145	3067	2698	2774	3067	3067
WTAM3636	2056	2056	2192	2192	3100	2753	2832	3100	3100
WTAM3639	2089	2089	2232	2232	3153	2800	2881	3153	3153
WTAM3642	2122	2122	2271	2271	3206	2851	2935	3206	3206
WTAM3645	2187	2187	2349	2349	3294	2954	3044	3294	3294
WTAM3648	2217	2217	2385	2385	3432	3088	3186	3432	3432

### 15" Deep

WTAM2430-15	1941	1941	2054	2054	3030	2636	2708	3030	3030
WTAM2433-15	1982	1982	2103	2103	3069	2692	2767	3069	3069
WTAM2436-15	2022	2022	2151	2151	3107	2750	2829	3107	3107
WTAM2439-15	2058	2058	2194	2194	3145	2794	2875	3145	3145
WTAM2442-15	2094	2094	2238	2238	3186	2838	2922	3186	3186
WTAM2445-15	2114	2114	2262	2262	3232	2868	2953	3232	3232
WTAM2448-15	2132	2132	2283	2283	3277	2898	2985	3277	3277
WTAM3030-15	2012	2012	2139	2139	3111	2694	2769	3111	3111
WTAM3033-15	2043	2043	2176	2176	3139	2750	2829	3139	3139
WTAM3036-15	2094	2094	2238	2238	3184	2806	2888	3184	3184
WTAM3039-15	2126	2126	2276	2276	3231	2851	2935	3231	3231
WTAM3042-15	2159	2159	2316	2316	3277	2898	2985	3277	3277
WTAM3045-15	2202	2202	2367	2367	3343	2965	3056	3343	3343
WTAM3048-15	2245	2245	2419	2419	3408	3031	3126	3408	3408
WTAM3630-15	2083	2083	2224	2224	3192	2753	2832	3192	3192
WTAM3633-15	2104	2104	2250	2250	3210	2864	2949	3210	3210
WTAM3636-15	2166	2166	2324	2324	3261	2862	2947	3261	3261
WTAM3639-15	2195	2195	2359	2359	3316	2909	2997	3316	3316
WTAM3642-15	2225	2225	2395	2395	3369	2958	3048	3369	3369
WTAM3645-15	2290	2290	2473	2473	3454	3061	3157	3454	3454
WTAM3648-15	2325	2325	2515	2515	3593	3194	3298	3593	3593

# Wall Cabinets : iMove Cabinets



## iMove Pull-Down Single Tray

Price Grade	1	2	3	4	5	6	7	8	9
-------------	---	---	---	---	---	---	---	---	---

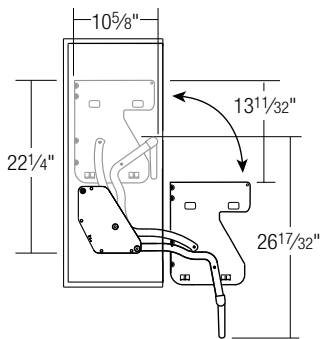
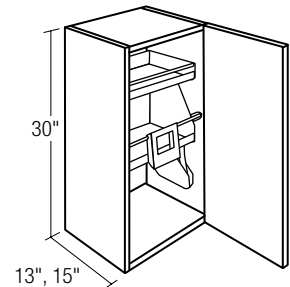
### 13" Deep

WPD2124	1100	1142	1200	1267	1329	1394	1486	1567	1656
WPD2424	1127	1168	1231	1301	1368	1431	1534	1617	1711
WPD2424-1	1127	1168	1231	1301	1368	1431	1534	1617	1711
WPD2724	1147	1193	1254	1328	1395	1464	1571	1660	1757
WPD3024	1166	1216	1281	1356	1425	1499	1606	1700	1806
WPD3324	1222	1275	1341	1421	1491	1572	1677	1773	1883
WPD3624	1247	1302	1370	1455	1529	1607	1729	1825	1938

### 15" Deep

WPD2124-15	1158	1194	1255	1321	1381	1446	1540	1622	1710
WPD2424-15	1185	1223	1287	1354	1421	1485	1587	1671	1765
WPD2424-15-1	1185	1223	1287	1354	1421	1485	1587	1671	1765
WPD2724-15	1219	1261	1321	1395	1462	1534	1639	1728	1825
WPD3024-15	1242	1281	1348	1425	1491	1567	1674	1767	1873
WPD3324-15	1296	1342	1407	1489	1556	1638	1743	1842	1951
WPD3624-15	1320	1369	1438	1521	1598	1675	1793	1892	2007

- Width modifications not available
- Reduce Depth modification not available
- Single tray minimum height: 20 1/2"
- Available height above shelf: 11 1/2"
- Available height at bottom: 10 1/4"
- Shelf will hold up to 18 pounds



## iMove Pull-Down Double Tray

Price Grade	1	2	3	4	5	6	7	8	9
-------------	---	---	---	---	---	---	---	---	---

### 13" Deep

WPD2130	1251	1295	1354	1427	1487	1555	1654	1738	1829
WPD2430	1298	1344	1411	1489	1552	1628	1735	1826	1925
WPD2430-1	1298	1344	1411	1489	1552	1628	1735	1826	1925

### 15" Deep

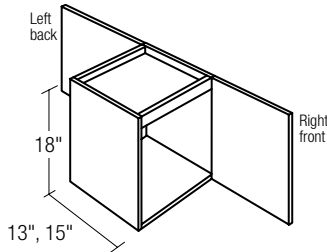
WPD2130-15	1339	1377	1437	1507	1567	1637	1735	1820	1910
WPD2430-15	1409	1447	1514	1590	1654	1730	1835	1927	2025
WPD2430-15-1	1409	1447	1514	1590	1654	1730	1835	1927	2025

- Width modifications not available
- Reduce Depth modification not available
- Double tray minimum height: 28"
- Available height above top shelf: 8 1/8"
- Available height above bottom shelf: 8 5/8"
- Available height at bottom: 10 1/4"
- Both shelves combined will hold up to 18 pounds

# Wall Cabinets : Peninsula Cabinets

## FOR ALL PENINSULA WALL CABINETS

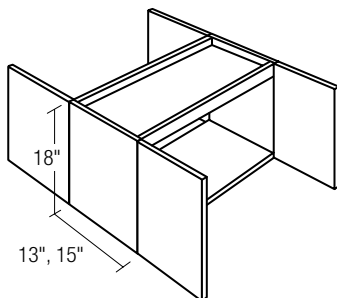
- Designate L/R hinge (right shown) on two-door cabinets
- 18" high has no shelf; 21", 24" and 27" high have one adjustable shelf; 30", 33" and 36" high have two adjustable shelves; 39", 42" and 45" high have three adjustable shelves; 48" high has four adjustable shelves
- Cabinet top dropped 17/8" with front and rear stretcher
- **CAUTION:** Using Peninsula cabinets in a stand-alone application is not recommended



- Designate L/R hinge (right shown)

### Peninsula Wall Cabinet 18" High – 12"-24" Wide

Price Grade	1	2	3	4	5	6	7	8	9
<b>13" Deep</b>									
PW1218	379	417	469	529	583	641	724	798	877
PW1518	419	463	518	586	644	709	803	882	974
PW1818	502	554	620	701	770	851	959	1054	1163
PW2118	584	643	721	815	897	989	1118	1228	1353
PW2418-1	618	776	871	987	1085	1193	1351	1487	1635
<b>15" Deep</b>									
PW1218-15	422	455	509	569	623	681	765	836	916
PW1518-15	465	503	560	627	685	750	843	921	1014
PW1818-15	548	593	661	742	809	889	1000	1096	1202
PW2118-15	629	684	764	856	939	1029	1158	1270	1393
PW2418-1-15	677	831	928	1041	1139	1245	1404	1541	1688



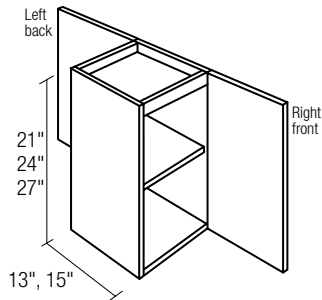
### Peninsula Wall Cabinet 18" High – 24"-36" Wide

Price Grade	1	2	3	4	5	6	7	8	9
<b>13" Deep</b>									
PW2418	618	776	871	987	1085	1193	1351	1487	1635
PW3018	615	741	830	939	1025	1133	1285	1412	1550
PW3618	680	816	914	1035	1137	1247	1415	1552	1714
<b>15" Deep</b>									
PW2418-15	677	831	928	1041	1139	1245	1404	1541	1688
PW3018-15	673	796	885	991	1081	1185	1339	1465	1605
PW3618-15	739	870	969	1089	1191	1302	1467	1607	1767

# Wall Cabinets : Peninsula Cabinets

**FOR ALL PENINSULA WALL CABINETS**

- Designate L/R hinge (right shown) on two-door cabinets
- 18" high has no shelf; 21", 24" and 27" high have one adjustable shelf; 30", 33" and 36" high have two adjustable shelves; 39", 42" and 45" high have three adjustable shelves; 48" high has four adjustable shelves
- Cabinet top dropped 17/8" with front and rear stretcher
- **CAUTION:** Using Peninsula cabinets in a stand-alone application is not recommended



- Designate L/R hinge (right shown)

## Peninsula Wall Cabinet 21"-27" High – 12"-24" Wide

Price Grade	1	2	3	4	5	6	7	8	9
-------------	---	---	---	---	---	---	---	---	---

### 13" Deep

PW1221	399	439	494	558	614	674	764	840	925
PW1521	436	481	538	609	669	738	834	916	1011
PW1821	518	571	641	724	795	879	990	1089	1201
PW2121	602	661	742	838	923	1017	1150	1262	1391
PW2421-1	639	803	901	1018	1122	1231	1394	1535	1689
PW1224	419	463	518	586	644	709	803	882	974
PW1524	453	499	559	632	694	767	864	951	1048
PW1824	535	589	662	747	821	907	1022	1124	1240
PW2124	618	680	764	861	948	1045	1181	1297	1430
PW2424-1	659	830	931	1050	1160	1271	1438	1583	1743
PW1227	436	481	538	609	669	738	834	916	1011
PW1527	495	544	611	689	757	836	943	1037	1144
PW1827	576	632	712	804	883	976	1098	1209	1334
PW2127	639	701	790	889	980	1078	1220	1341	1477
PW2427-1	676	850	955	1077	1188	1304	1477	1627	1788

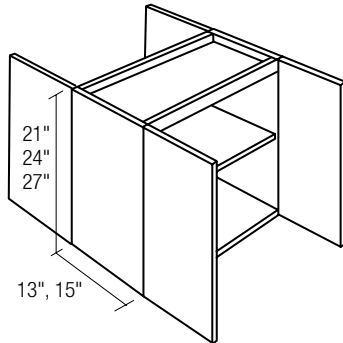
### 15" Deep

PW1221-15	450	485	542	605	660	722	810	886	971
PW1521-15	488	528	587	657	716	785	881	963	1058
PW1821-15	570	618	689	771	842	924	1037	1137	1248
PW2121-15	654	708	791	885	970	1064	1197	1310	1439
PW2421-1-15	697	857	957	1072	1175	1283	1448	1590	1742
PW1224-15	478	515	575	641	697	764	857	936	1025
PW1524-15	511	552	613	687	748	821	918	1005	1102
PW1824-15	593	643	718	801	875	959	1075	1178	1293
PW2124-15	677	731	818	915	1002	1099	1236	1351	1485
PW2424-1-15	717	883	986	1104	1213	1323	1493	1639	1796
PW1227-15	509	547	608	676	737	805	902	984	1077
PW1527-15	568	610	678	757	824	904	1011	1104	1210
PW1827-15	648	700	780	872	950	1041	1166	1277	1401
PW2127-15	712	768	856	957	1046	1147	1288	1408	1546
PW2427-1-15	746	910	1015	1139	1249	1365	1540	1690	1853

# Wall Cabinets : Peninsula Cabinets

## FOR ALL PENINSULA WALL CABINETS

- Designate L/R hinge (right shown) on two-door cabinets
- 18" high has no shelf; 21", 24" and 27" high have one adjustable shelf; 30", 33" and 36" high have two adjustable shelves; 39", 42" and 45" high have three adjustable shelves; 48" high has four adjustable shelves
- Cabinet top dropped 17/8" with front and rear stretcher
- **CAUTION:** Using Peninsula cabinets in a stand-alone application is not recommended



### Peninsula Wall Cabinet 21"-27" High – 24"-36" Wide

Price Grade	1	2	3	4	5	6	7	8	9
<b>13" Deep</b>									
PW2421	639	803	901	1018	1122	1231	1394	1535	1689
PW3021	667	811	909	1030	1128	1244	1409	1549	1703
PW3621	729	878	980	1113	1221	1341	1520	1671	1841
PW2424	659	830	931	1050	1160	1271	1438	1583	1743
PW3024	719	883	988	1120	1231	1355	1533	1686	1856
PW3624	779	939	1046	1190	1305	1437	1626	1790	1968
PW2427	676	850	955	1077	1188	1304	1477	1627	1788
PW3027	738	915	1027	1161	1278	1405	1589	1751	1923
PW3627	811	995	1113	1262	1386	1524	1726	1898	2087

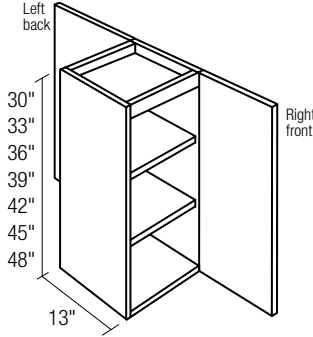
### 15" Deep

PW2421-15	697	857	957	1072	1175	1283	1448	1590	1742
PW3021-15	725	867	964	1083	1182	1297	1463	1603	1757
PW3621-15	788	931	1035	1166	1275	1396	1573	1726	1894
PW2424-15	717	883	986	1104	1213	1323	1493	1639	1796
PW3024-15	776	938	1044	1173	1284	1408	1586	1741	1909
PW3624-15	836	991	1101	1243	1359	1492	1680	1844	2022
PW2427-15	750	916	1023	1145	1255	1370	1545	1695	1854
PW3027-15	810	983	1096	1227	1344	1472	1655	1818	1991
PW3627-15	884	1062	1181	1330	1453	1592	1792	1967	2155

# Wall Cabinets : Peninsula Cabinets

FOR ALL PENINSULA WALL CABINETS

- Designate L/R hinge (right shown) on two-door cabinets
- 18" high has no shelf; 21", 24" and 27" high have one adjustable shelf; 30", 33" and 36" high have two adjustable shelves; 39", 42" and 45" high have three adjustable shelves; 48" high has four adjustable shelves
- Cabinet top dropped 17/8" with front and rear stretcher
- **CAUTION:** Using Peninsula cabinets in a stand-alone application is not recommended



- Designate L/R hinge (right shown)

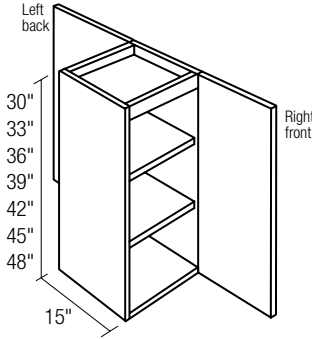
## Peninsula Wall Cabinet 30"-48" High – 12"-24" Wide

Price Grade	1	2	3	4	5	6	7	8	9
<b>13" Deep</b>									
PW1230	453	499	559	632	694	767	864	951	1048
PW1530	535	589	662	747	821	907	1022	1124	1240
PW1830	615	674	761	861	947	1044	1174	1296	1429
PW2130	659	724	815	917	1012	1112	1258	1386	1526
PW2430-1	694	869	979	1105	1217	1337	1517	1670	1832
PW1233	495	544	611	689	757	836	943	1037	1144
PW1533	577	634	713	804	884	976	1101	1210	1334
PW1833	644	710	798	904	993	1094	1234	1361	1498
PW2133	699	769	865	977	1074	1182	1338	1471	1622
PW2433-1	745	935	1049	1187	1306	1435	1626	1790	1968
PW1236	535	589	662	747	821	907	1022	1124	1240
PW1536	618	680	764	861	948	1045	1181	1297	1430
PW1836	673	744	834	945	1041	1143	1294	1428	1569
PW2136	741	814	915	1035	1138	1253	1418	1556	1716
PW2436-1	797	1002	1120	1268	1394	1533	1736	1910	2103
PW1239	577	633	711	803	883	976	1102	1210	1335
PW1539	661	726	818	922	1016	1119	1266	1390	1529
PW1839	729	803	901	1019	1123	1236	1396	1540	1694
PW2139	776	918	1034	1167	1285	1414	1600	1757	1938
PW2439-1	825	1037	1165	1313	1449	1590	1803	1984	2182
PW1242	618	680	764	861	948	1045	1181	1297	1430
PW1542	703	775	871	986	1085	1193	1349	1484	1632
PW1842	784	863	969	1096	1203	1328	1500	1648	1819
PW2142	815	1023	1152	1301	1433	1575	1781	1963	2158
PW2442-1	855	1074	1209	1362	1501	1648	1869	2057	2262
PW1245	661	725	816	920	1013	1114	1260	1383	1523
PW1545	704	775	870	984	1084	1190	1346	1480	1629
PW1845	747	824	925	1049	1154	1267	1432	1576	1735
PW2145	840	924	1039	1172	1284	1419	1604	1755	1944
PW2445-1	932	1023	1153	1295	1414	1572	1777	1934	2153
PW1248	703	771	868	978	1078	1182	1339	1469	1617
PW1548	789	873	977	1115	1222	1340	1515	1671	1838
PW1848	874	975	1086	1252	1365	1498	1690	1872	2059
PW2148	959	1076	1195	1389	1509	1656	1866	2074	2281
PW2448-1	903	1182	1330	1508	1657	1824	2056	2277	2495

# Wall Cabinets : Peninsula Cabinets

FOR ALL PENINSULA WALL CABINETS

- Designate L/R hinge (right shown) on two-door cabinets
- 18" high has no shelf; 21", 24" and 27" high have one adjustable shelf; 30", 33" and 36" high have two adjustable shelves; 39", 42" and 45" high have three adjustable shelves; 48" high has four adjustable shelves
- Cabinet top dropped 17/8" with front and rear stretcher
- **CAUTION:** Using Peninsula cabinets in a stand-alone application is not recommended



- Designate L/R hinge (right shown)

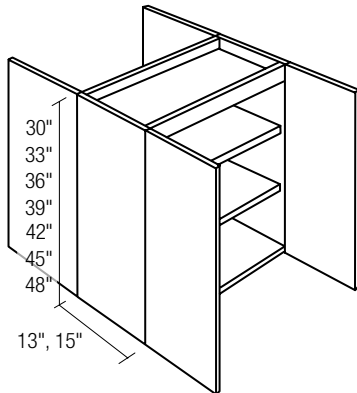
## Peninsula Wall Cabinet 30"-48" High – 12"-24" Wide

Price Grade	1	2	3	4	5	6	7	8	9
<b>15" Deep</b>									
PW1230-15	541	578	641	712	775	847	947	1032	1129
PW1530-15	624	668	744	828	901	987	1103	1203	1320
PW1830-15	703	756	843	942	1025	1124	1255	1376	1510
PW2130-15	746	804	896	997	1091	1195	1339	1465	1607
PW2430-1-15	783	950	1061	1185	1298	1418	1598	1750	1911
PW1233-15	583	623	693	770	837	916	1025	1118	1224
PW1533-15	666	714	794	885	964	1056	1182	1290	1415
PW1833-15	734	792	880	984	1073	1174	1315	1442	1579
PW2133-15	788	849	947	1058	1154	1264	1419	1551	1702
PW2433-1-15	895	1092	1220	1363	1493	1632	1836	2017	2208
PW1236-15	624	668	744	828	901	987	1103	1203	1320
PW1536-15	708	760	844	942	1028	1125	1262	1377	1511
PW1836-15	764	826	916	1024	1122	1224	1375	1508	1649
PW2136-15	830	894	997	1117	1218	1333	1498	1637	1796
PW2436-1-15	885	1082	1201	1349	1475	1614	1817	1991	2183
PW1239-15	666	716	795	884	962	1055	1182	1291	1416
PW1539-15	749	806	898	1004	1098	1199	1346	1469	1610
PW1839-15	818	884	985	1101	1202	1315	1478	1618	1776
PW2139-15	864	1000	1117	1247	1366	1493	1680	1838	2019
PW2439-1-15	914	1119	1246	1394	1528	1672	1882	2063	2263
PW1242-15	708	760	844	942	1028	1125	1262	1377	1511
PW1542-15	794	856	954	1067	1166	1273	1429	1563	1713
PW1842-15	875	945	1050	1177	1284	1408	1581	1729	1901
PW2142-15	904	1104	1236	1381	1514	1655	1863	2043	2238
PW2442-1-15	944	1156	1291	1444	1582	1729	1947	2137	2343
PW1245-15	748	804	894	1001	1094	1195	1341	1462	1604
PW1545-15	793	855	952	1065	1164	1271	1427	1560	1710
PW1845-15	837	906	1011	1129	1234	1347	1512	1657	1816
PW2145-15	932	1007	1116	1252	1366	1500	1684	1840	2026
PW2445-1-15	942	1209	1355	1515	1660	1817	2047	2246	2457
PW1248-15	789	849	943	1059	1161	1264	1420	1547	1698
PW1548-15	881	956	1068	1192	1303	1420	1595	1752	1919
PW1848-15	989	1068	1181	1327	1448	1593	1787	1951	2151
PW2148-15	981	1314	1473	1649	1807	1979	2231	2450	2676
PW2448-1-15	975	1194	1337	1494	1636	1786	2013	2211	2423

# Wall Cabinets : Peninsula Cabinets

## FOR ALL PENINSULA WALL CABINETS

- Designate L/R hinge (right shown) on two-door cabinets
- 18" high has no shelf; 21", 24" and 27" high have one adjustable shelf; 30", 33" and 36" high have two adjustable shelves; 39", 42" and 45" high have three adjustable shelves; 48" high has four adjustable shelves
- Cabinet top dropped 17/8" with front and rear stretcher
- **CAUTION:** Using Peninsula cabinets in a stand-alone application is not recommended



## Peninsula Wall Cabinet 30"-48" High – 24"-48" Wide

Price Grade	1	2	3	4	5	6	7	8	9
<b>13" Deep</b>									
PW2430	694	869	979	1105	1217	1337	1517	1670	1832
PW3030	755	948	1065	1201	1325	1456	1645	1815	1992
PW3630	843	1051	1180	1335	1466	1610	1826	2007	2208
PW2433	745	935	1049	1187	1306	1435	1626	1790	1968
PW2733	805	1011	1138	1282	1413	1551	1757	1936	2127
PW3033	834	1044	1172	1325	1458	1600	1814	1996	2194
PW3633	827	1038	1165	1317	1450	1593	1805	1986	2185
PW2436	797	1002	1120	1268	1394	1533	1736	1910	2103
PW3036	855	1074	1209	1362	1501	1648	1869	2057	2262
PW2439	825	1037	1165	1313	1449	1590	1803	1984	2182
PW3039	909	1141	1280	1447	1595	1751	1983	2182	2402
PW3639	1000	1255	1408	1590	1753	1926	2181	2402	2639
PW2442	855	1074	1209	1362	1501	1648	1869	2057	2262
PW2445	854	1128	1270	1435	1579	1736	1963	2167	2378
PW2448	903	1182	1330	1508	1657	1824	2056	2277	2495
PW2748	952	1236	1390	1580	1735	1913	2150	2388	2611
PW3048	1001	1290	1450	1653	1813	2001	2243	2498	2727
PW3348	1049	1344	1511	1726	1891	2089	2337	2608	2844
PW3648	1098	1398	1571	1799	1969	2178	2430	2718	2960

## 15" Deep

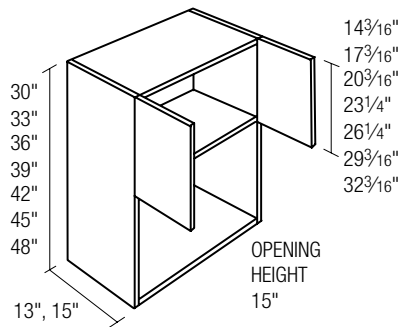
PW2430-15	783	950	1061	1185	1298	1418	1598	1750	1911
PW3030-15	844	1028	1147	1281	1405	1536	1725	1895	2074
PW3630-15	932	1133	1262	1416	1547	1691	1906	2088	2289
PW2433-15	834	1016	1131	1267	1387	1516	1707	1870	2047
PW2733-15	864	1054	1175	1315	1440	1574	1771	1943	2128
PW3033-15	895	1092	1220	1363	1493	1632	1836	2017	2208
PW3633-15	1010	1234	1377	1544	1690	1848	2083	2285	2504
PW2436-15	885	1082	1201	1349	1475	1614	1817	1991	2183
PW3036-15	944	1156	1291	1444	1582	1729	1947	2137	2343
PW2439-15	914	1119	1246	1394	1528	1672	1882	2063	2263
PW3039-15	995	1222	1362	1526	1674	1832	2061	2263	2481
PW3639-15	1088	1336	1491	1672	1834	2004	2262	2481	2720
PW2442-15	944	1156	1291	1444	1582	1729	1947	2137	2343
PW2445-15	942	1209	1355	1515	1660	1817	2047	2246	2457
PW2448-15	975	1194	1337	1494	1636	1786	2013	2211	2423
PW2748-15	1005	1231	1383	1544	1690	1843	2078	2285	2503
PW3048-15	1035	1269	1429	1594	1744	1900	2143	2359	2583
PW3348-15	1065	1306	1474	1644	1799	1957	2209	2432	2663
PW3648-15	1095	1343	1520	1694	1853	2015	2274	2506	2743



# Wall Cabinets : Microwave Oven Cabinets

FOR ALL MICROWAVE WALL CABINETS

- One fixed shelf
- 30", 33", 36" and 39" high have no adjustable shelves; 42" and 45" high have one adjustable shelf; 48" high has two adjustable shelves



- Finished Interior standard

## Microwave Wall Cabinet

Price Grade	1	2	3	4	5	6	7	8	9
<b>13" Deep</b>									
MMW2730	616	674	761	860	944	1039	1173	1296	1424
MMW3030	654	722	809	913	1005	1103	1251	1377	1514
MMW2733	665	727	819	925	1017	1119	1264	1393	1533
MMW3033	704	777	870	983	1083	1190	1348	1481	1630
MMW2736	714	780	877	989	1090	1200	1356	1492	1641
MMW3036	755	831	931	1053	1161	1277	1444	1584	1747
MMW2739	761	833	934	1055	1163	1279	1447	1590	1749
MMW3039	804	885	993	1124	1238	1360	1541	1690	1861
MMW2742	804	885	990	1123	1236	1359	1536	1690	1856
MMW3042	855	942	1060	1195	1313	1446	1636	1796	1971
MMW2745	848	937	1046	1191	1309	1439	1625	1791	1963
MMW3045	906	1000	1127	1267	1389	1533	1733	1902	2081
MMW2748	891	989	1102	1258	1382	1519	1714	1892	2070
MMW3048	957	1057	1195	1338	1465	1619	1830	2008	2191

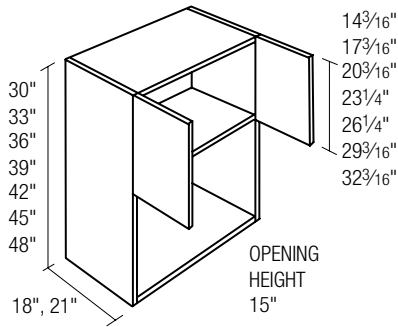
## 15" Deep

MMW2730-15	704	756	843	941	1023	1120	1254	1376	1504
MMW3030-15	802	861	959	1070	1170	1280	1435	1574	1721
MMW2733-15	778	835	930	1039	1133	1241	1390	1524	1667
MMW3033-15	848	913	1016	1137	1243	1359	1525	1673	1829
MMW2736-15	851	914	1016	1137	1243	1360	1526	1672	1829
MMW3036-15	894	965	1073	1202	1315	1438	1616	1771	1937
MMW2739-15	742	802	891	992	1085	1183	1332	1458	1596
MMW3039-15	844	912	1013	1134	1241	1358	1524	1667	1827
MMW2742-15	894	965	1076	1203	1318	1439	1620	1771	1940
MMW3042-15	944	1022	1142	1275	1394	1525	1716	1876	2053
MMW2745-15	1046	1128	1261	1415	1551	1695	1907	2085	2285
MMW3045-15	1045	1133	1272	1416	1549	1693	1909	2085	2280
MMW2748-15	1199	1291	1446	1627	1784	1950	2193	2399	2630
MMW3048-15	1219	1315	1474	1630	1777	1933	2174	2367	2579

# Wall Cabinets : Microwave Oven Cabinets

FOR ALL MICROWAVE WALL CABINETS

- One fixed shelf
- 30", 33", 36" and 39" high have no adjustable shelves; 42" and 45" high have one adjustable shelf; 48" high has two adjustable shelves



- Finished Interior standard

## Microwave Wall Cabinet

Price Grade	1	2	3	4	5	6	7	8	9
<b>18" Deep</b>									
MMW2730-18	816	857	947	1042	1125	1219	1355	1476	1606
MMW3030-18	914	961	1063	1170	1272	1381	1538	1673	1822
MMW2733-18	887	936	1033	1140	1234	1339	1491	1625	1768
MMW3033-18	960	1014	1120	1237	1344	1461	1627	1773	1929
MMW2736-18	958	1015	1119	1238	1343	1461	1628	1773	1930
MMW3036-18	1006	1068	1177	1304	1417	1541	1717	1872	2037
MMW2739-18	854	904	992	1095	1185	1284	1432	1558	1695
MMW3039-18	954	1013	1117	1236	1340	1458	1624	1767	1928
MMW2742-18	1005	1068	1180	1305	1418	1543	1721	1872	2041
MMW3042-18	1054	1124	1244	1376	1495	1626	1817	1977	2154
MMW2745-18	1156	1231	1367	1516	1652	1801	2010	2185	2386
MMW3045-18	1153	1235	1369	1515	1650	1794	2010	2188	2379
MMW2748-18	1308	1394	1554	1727	1886	2058	2300	2498	2730
MMW3048-18	1253	1347	1495	1654	1805	1963	2204	2399	2605

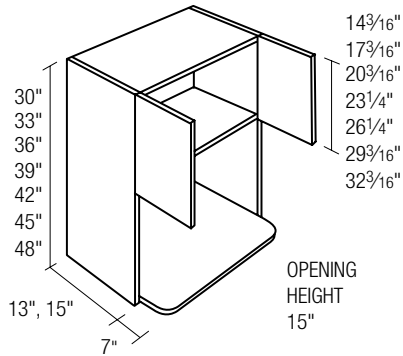
## 21" Deep

MMW2730-21	816	857	947	1042	1125	1219	1355	1476	1606
MMW3030-21	914	961	1063	1170	1272	1381	1538	1673	1822
MMW2733-21	887	936	1033	1140	1234	1339	1491	1625	1768
MMW3033-21	936	988	1091	1204	1307	1420	1582	1723	1876
MMW2736-21	958	1015	1119	1238	1343	1461	1628	1773	1930
MMW3036-21	1006	1068	1177	1304	1417	1541	1717	1872	2037
MMW2739-21	854	904	992	1095	1185	1284	1432	1558	1695
MMW3039-21	954	1013	1117	1236	1340	1458	1624	1767	1928
MMW2742-21	1005	1068	1180	1305	1418	1543	1721	1872	2041
MMW3042-21	1054	1124	1244	1376	1495	1626	1817	1977	2154
MMW2745-21	1156	1231	1367	1516	1652	1801	2010	2185	2386
MMW3045-21	1153	1235	1369	1515	1650	1794	2010	2188	2379
MMW2748-21	1308	1394	1554	1727	1886	2058	2300	2498	2730
MMW3048-21	1253	1347	1495	1654	1805	1963	2204	2399	2605

# Wall Cabinets : Microwave Oven Cabinets

FOR ALL MICROWAVE WALL CABINETS

- One fixed shelf
- 30", 33", 36" and 39" high have no adjustable shelves; 42" and 45" high have one adjustable shelf; 48" high has two adjustable shelves



- Finished Interior standard

## Microwave Wall Cabinet with Extended Shelf

Price Grade	1	2	3	4	5	6	7	8	9
<b>13" Deep</b>									
SMW2430	657	798	891	1013	1112	1224	1387	1524	1676
SMW2730	674	816	918	1037	1139	1253	1418	1563	1719
SMW3030	694	836	939	1059	1165	1285	1453	1600	1761
SMW2433	745	902	1013	1144	1258	1384	1565	1724	1896
SMW2733	739	893	1001	1131	1245	1369	1549	1706	1876
SMW3033	745	897	1006	1134	1249	1377	1556	1712	1884
SMW2436	757	917	1030	1163	1279	1405	1587	1753	1929
SMW2736	775	939	1047	1190	1307	1437	1631	1792	1970
SMW3036	797	957	1072	1209	1333	1467	1660	1824	2007
SMW2439	782	947	1064	1200	1321	1455	1643	1809	1991
SMW2739	802	969	1083	1226	1351	1486	1680	1848	2035
SMW3039	823	986	1105	1250	1377	1515	1714	1882	2073
SMW2442	806	975	1099	1240	1362	1501	1698	1865	2054
SMW2742	827	1000	1119	1263	1393	1529	1731	1906	2097
SMW3042	847	1015	1140	1290	1421	1563	1766	1941	2136
SMW2445	830	1003	1134	1278	1405	1549	1753	1921	2119
SMW2745	852	1030	1156	1300	1437	1574	1781	1963	2158
SMW3045	870	1044	1174	1330	1467	1611	1818	2000	2200
SMW2448	854	1031	1168	1316	1447	1597	1808	1977	2183
SMW2748	877	1060	1194	1336	1481	1619	1831	2020	2219
SMW3048	893	1073	1208	1369	1513	1660	1870	2059	2263

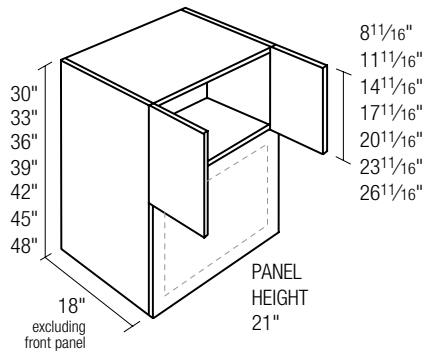
## 15" Deep

SMW2430-15	744	879	975	1092	1195	1305	1466	1605	1755
SMW2730-15	765	897	1003	1119	1219	1333	1498	1643	1799
SMW3030-15	783	917	1021	1139	1245	1366	1533	1680	1842
SMW2433-15	795	938	1043	1168	1278	1395	1568	1720	1882
SMW2733-15	814	958	1066	1195	1304	1427	1605	1757	1925
SMW3033-15	834	978	1087	1215	1330	1458	1637	1792	1965
SMW2436-15	846	997	1111	1243	1360	1487	1670	1834	2009
SMW2736-15	863	1018	1129	1271	1388	1520	1712	1872	2052
SMW3036-15	885	1037	1153	1290	1415	1548	1742	1904	2088
SMW2439-15	871	1025	1146	1280	1401	1534	1723	1891	2073
SMW2739-15	891	1049	1166	1307	1431	1566	1761	1929	2115
SMW3039-15	912	1067	1188	1331	1458	1597	1794	1964	2153
SMW2442-15	896	1054	1180	1320	1444	1582	1779	1944	2134
SMW2742-15	916	1081	1200	1343	1473	1610	1811	1987	2179
SMW3042-15	936	1096	1222	1369	1500	1643	1847	2022	2218
SMW2445-15	921	1082	1214	1358	1489	1631	1835	1997	2195
SMW2745-15	941	1112	1235	1379	1517	1656	1862	2044	2241
SMW3045-15	960	1125	1256	1409	1544	1689	1900	2080	2285
SMW2448-15	945	1110	1247	1396	1534	1680	1891	2050	2257
SMW2748-15	966	1143	1271	1414	1561	1702	1913	2101	2303
SMW3048-15	984	1154	1290	1448	1588	1736	1953	2138	2351

# Wall Cabinets : Microwave Oven Cabinets

FOR ALL MICROWAVE WALL CABINETS

- One fixed shelf
- 30", 33", 36", 39" and 42" high have no adjustable shelves; 45" and 48" high have one adjustable shelf



- Standard Front Panel:
  - Melamine – 3/4"-thick Coordinated Melamine
  - Eurotek – 3/4"-thick Coordinated Melamine
  - Textured Melamine – 3/4"-thick Coordinated Melamine
  - Thermofoil – 3/4"-thick Profiled Matching Thermofoil
  - Wood – 3/4"-thick Wood Veneer
  - Metal – 3/4"-thick Coordinated Laminate
  - UltraLux – 3/4"-thick Matching UltraLux
- Available with Profiled Oven Panel; add POV suffix; see below
- Available with Custom Panel Cut-outs; see below and page 9.6
- Finished Ends standard

## Microwave Wall Cabinet with Oven Panel

Price Grade	1	2	3	4	5	6	7	8	9
<b>18" Deep</b>									
MW2730	730	803	904	1018	1123	1236	1396	1541	1693
MW3030	774	855	959	1085	1193	1308	1484	1632	1793
MW2733	793	873	982	1108	1220	1341	1518	1671	1837
MW3033	841	929	1040	1176	1294	1420	1609	1770	1948
MW2736	855	942	1061	1197	1317	1447	1639	1801	1981
MW3036	907	1002	1120	1268	1394	1533	1736	1910	2103
MW2739	894	981	1104	1246	1374	1510	1709	1877	2064
MW3039	949	1045	1169	1322	1456	1602	1811	1992	2193
MW2742	933	1021	1147	1298	1430	1571	1779	1959	2152
MW3042	991	1089	1218	1376	1514	1670	1885	2075	2283
MW2745	971	1061	1191	1350	1486	1632	1849	2040	2239
MW3045	1033	1134	1267	1430	1572	1738	1959	2158	2373
MW2748	1010	1100	1234	1402	1542	1694	1920	2121	2326
MW3048	1074	1178	1315	1484	1630	1807	2032	2241	2463

## Maximum Oven Openings

Cabinet	Panel Size	Cut-Out Size	Frame Opening Size
MW2730	26 7/8" w x 21" h	23 7/8" w x 18" h	20 7/8" w x 9" h
MW3030	29 7/8" w x 21" h	26 7/8" w x 18" h	23 7/8" w x 9" h
MW2733	26 7/8" w x 21" h	23 7/8" w x 18" h	20 7/8" w x 9" h
MW3033	29 7/8" w x 21" h	26 7/8" w x 18" h	23 7/8" w x 9" h
MW2736	26 7/8" w x 21" h	23 7/8" w x 18" h	20 7/8" w x 9" h
MW3036	29 7/8" w x 21" h	26 7/8" w x 18" h	23 7/8" w x 9" h
MW2739	26 7/8" w x 21" h	23 7/8" w x 18" h	20 7/8" w x 9" h
MW3039	29 7/8" w x 21" h	26 7/8" w x 18" h	23 7/8" w x 9" h
MW2742	26 7/8" w x 21" h	23 7/8" w x 18" h	20 7/8" w x 9" h
MW3042	29 7/8" w x 21" h	26 7/8" w x 18" h	23 7/8" w x 9" h
MW2745	26 7/8" w x 21" h	23 7/8" w x 18" h	20 7/8" w x 9" h
MW3045	29 7/8" w x 21" h	26 7/8" w x 18" h	23 7/8" w x 9" h
MW2748	26 7/8" w x 21" h	23 7/8" w x 18" h	20 7/8" w x 9" h
MW3048	29 7/8" w x 21" h	26 7/8" w x 18" h	23 7/8" w x 9" h

- 1 1/2" perimeter edge width after a maximum cutout.
- Profiled Oven Panels available
- Custom cut-outs not available

## Custom Cut-out in a Standard Oven Panel

Panel	Panel	Price Per Panel
Panel with Opening	Panel with Opening	Solid Wood Profiled Frame 325
Solid Wood Frame	Panel with Cut-outs	Wood Veneer, Eurotek and Deluxe Veneer
		Non-Profiled Panel Cut-out 130
		Thermofoil and UltraLux Panel Cut-out 130

- Cost of the oven panel is included in the price of the cabinet; custom cut-outs are an upcharge
- MW can have one opening; specify on Custom Cut-Out Oven Panel Forms; see [OneTouch](#)

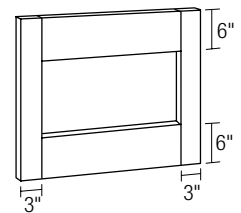
## Installed Profiled Oven Panels

	Textured Melamine	Standard Thermofoil	Premium Thermofoil	Wood Premium	Wood Metal	UltraLux
POVMW27		591	1095	195	206	
POVMW30		634	1172	247	261	

- Metal, Textured Melamine and Eurotek door styles are not available with Profiled Oven Panels

### Thermofoil door styles:

- Profiled Panels are slab-style with outer edge profiled to match the specified door style
- Thermofoil horizontal patterns and grains will run vertical on panels 46 1/2" high and greater



### UltraLux door styles:

- Coordinated UltraLux panel

### Wood door styles:

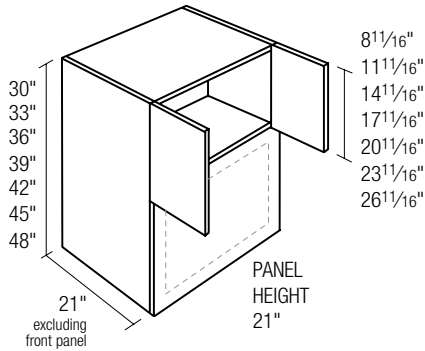
- Not available in Deluxe Veneers, Richmond II or Slab
- Wood Premium available in Walnut
- Panels for non-mitered door styles will have a matching edge profile
- Panels for mitered door styles will have the following edge profiles:



# Wall Cabinets : Microwave Oven Cabinets

FOR ALL MICROWAVE WALL CABINETS

- One fixed shelf
- 30", 33", 36", 39" and 42" high have no adjustable shelves; 45" and 48" high have one adjustable shelf



- Standard Front Panel:
  - Melamine – 3/4"-thick Coordinated Melamine
  - Eurotek – 3/4"-thick Coordinated Melamine
  - Textured Melamine – 3/4"-thick Coordinated Melamine
  - Thermofoil – 3/4"-thick Profiled Matching Thermofoil
  - Wood – 3/4"-thick Wood Veneer
  - Metal – 3/4"-thick Coordinated Laminat
  - UltraLux – 3/4"-thick Matching UltraLux
- Available with Profiled Oven Panel; add POV suffix; see below
- Available with Custom Panel Cut-outs; see below and page 9.6
- Finished Ends standard

## Microwave Wall Cabinet with Oven Panel

Price Grade	1	2	3	4	5	6	7	8	9
<b>21" Deep</b>									
MW2730-21	841	905	1007	1120	1223	1336	1498	1641	1794
MW3030-21	885	956	1063	1185	1293	1408	1582	1732	1893
MW2733-21	903	975	1086	1208	1321	1442	1619	1771	1938
MW3033-21	951	1029	1143	1277	1393	1521	1709	1871	2049
MW2736-21	965	1044	1164	1297	1418	1547	1739	1902	2081
MW3036-21	1016	1102	1223	1367	1495	1635	1836	2012	2204
MW2739-21	1005	1083	1208	1349	1473	1608	1809	1980	2166
MW3039-21	1059	1144	1272	1422	1555	1703	1911	2094	2293
MW2742-21	1044	1123	1250	1398	1529	1672	1880	2057	2253
MW3042-21	1101	1190	1321	1476	1615	1769	1987	2177	2383
MW2745-21	1083	1163	1293	1447	1586	1736	1949	2135	2340
MW3045-21	1143	1235	1368	1530	1674	1836	2061	2260	2474
MW2748-21	1121	1202	1335	1496	1642	1801	2019	2213	2427
MW3048-21	1184	1281	1416	1584	1733	1902	2136	2343	2564

## Maximum Oven Openings

Cabinet	Panel Size	Cut-Out Size	Frame Opening Size
MW2730	26 7/8" w x 21" h	23 7/8" w x 18" h	20 7/8" w x 9" h
MW3030	29 7/8" w x 21" h	26 7/8" w x 18" h	23 7/8" w x 9" h
MW2733	26 7/8" w x 21" h	23 7/8" w x 18" h	20 7/8" w x 9" h
MW3033	29 7/8" w x 21" h	26 7/8" w x 18" h	23 7/8" w x 9" h
MW2736	26 7/8" w x 21" h	23 7/8" w x 18" h	20 7/8" w x 9" h
MW3036	29 7/8" w x 21" h	26 7/8" w x 18" h	23 7/8" w x 9" h
MW2739	26 7/8" w x 21" h	23 7/8" w x 18" h	20 7/8" w x 9" h
MW3039	29 7/8" w x 21" h	26 7/8" w x 18" h	23 7/8" w x 9" h
MW2742	26 7/8" w x 21" h	23 7/8" w x 18" h	20 7/8" w x 9" h
MW3042	29 7/8" w x 21" h	26 7/8" w x 18" h	23 7/8" w x 9" h
MW2745	26 7/8" w x 21" h	23 7/8" w x 18" h	20 7/8" w x 9" h
MW3045	29 7/8" w x 21" h	26 7/8" w x 18" h	23 7/8" w x 9" h
MW2748	26 7/8" w x 21" h	23 7/8" w x 18" h	20 7/8" w x 9" h
MW3048	29 7/8" w x 21" h	26 7/8" w x 18" h	23 7/8" w x 9" h

- 1 1/2" perimeter edge width after a maximum cutout.
- Profiled Oven Panels available
- Custom cut-outs not available

## Installed Profiled Oven Panels

	Textured Melamine	Standard Melamine	Premium Thermofoil	Wood Premium	UltraLux
POVMW27		591	1095	195	206
POVMW30		634	1172	247	261

- Metal, Textured Melamine and Eurotek door styles are not available with Profiled Oven Panels

### Thermofoil door styles:

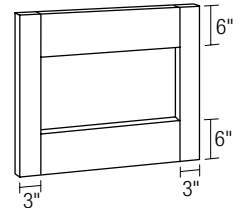
- Profiled Panels are slab-style with outer edge profiled to match the specified door style
- Thermofoil horizontal patterns and grains will run vertical on panels 46 1/2" high and greater

### UltraLux door styles:

- Coordinated UltraLux panel

### Wood door styles:

- Not available in Deluxe Veneers, Richmond II or Slab
- Wood Premium available in Walnut
- Panels for non-mitered door styles will have a matching edge profile
- Panels for mitered door styles will have the following edge profiles:



1/8" RADIUS

- |            |              |              |            |
|------------|--------------|--------------|------------|
| AMHERST    | CRYSTAL LAKE | MARSHALL     | CHARLOTTE  |
| BROADVIEW  | DENNISON     | OAKLAND PARK |            |
| BRUNSWICK  | FREEDOM      | PERTH-AMBOY  | MT. VERNON |
| GARNEGIE   | FRISCO       | PLYMOUTH     |            |
| CHESAPEAKE | LAFAYETTE    | SARASOTA     |            |
| GORONA     | LAKEWAY      | WINCHESTER   |            |
|            | LIBERTY      | YORK         |            |
|            | LIVINGSTON   |              |            |

## Custom Cut-out in a Standard Oven Panel

Panel	Panel	Price Per Panel
		325
		130
		130

- Cost of the oven panel is included in the price of the cabinet; custom cut-outs are an upcharge
- MW can have one opening; specify on Custom Cut-Out Oven Panel Forms; [seeOneTouch](#)

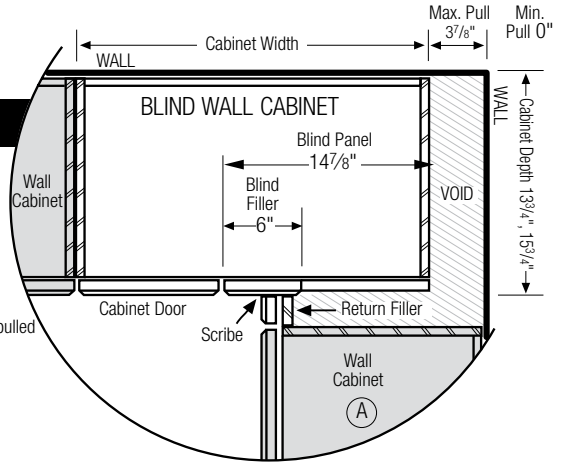
# Wall Cabinets : Blind Corner Cabinets

## Wall Blind Corner Cabinet Installation Detail

BLIND WALL CABINETS (BLW)	
CABINET WIDTH	DOOR WIDTH
27"	11 <sup>7</sup> / <sub>8</sub> "
30"	14 <sup>13</sup> / <sub>16</sub> "
33"	17 <sup>13</sup> / <sub>16</sub> "
36"	20 <sup>13</sup> / <sub>16</sub> "
39"	(2) 11 <sup>7</sup> / <sub>8</sub> "
42"	(2) 13 <sup>3</sup> / <sub>8</sub> "
48"	(2) 16 <sup>5</sup> / <sub>16</sub> "

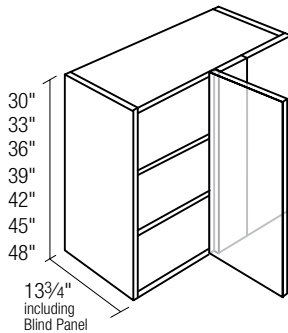
PENINSULA BLIND WALL CABINETS (BLPW)	
CABINET WIDTH	DOOR WIDTH
27"	11 <sup>7</sup> / <sub>8</sub> "
30"	14 <sup>13</sup> / <sub>16</sub> "
33"	17 <sup>13</sup> / <sub>16</sub> "
36"	20 <sup>13</sup> / <sub>16</sub> "

- Wall Cabinet (A) should be placed 14<sup>1</sup>/<sub>2</sub>" away from the corner
- Cabinet depth at Blind Panel is 13<sup>3</sup>/<sub>4</sub>", 15<sup>3</sup>/<sub>4</sub>"
- Blind Panel width is 14<sup>7</sup>/<sub>8</sub>"; Blind Filler width is 6"
- **Return Filler is required, but not included; order separately; see page 14.2**
- Blind Panel exposure of 2<sup>1</sup>/<sub>8</sub>" when cabinet is not pulled
- Maximum pull is 3<sup>7</sup>/<sub>8</sub>"; minimum pull is 0"



### FOR ALL BLIND CORNER WALL CABINETS

- Designate blind side L/R (right shown)
- 24" high has one adjustable shelf; 30", 33" and 36" high have two adjustable shelves; 39", 42", and 45" high have three adjustable shelves; 48" high has four adjustable shelves
- 6" Profile Filler is part of Blind Panel
- **Return Filler required but not included; order separately; see page 14.2**
- Not available in Finline, Slimline or Broadline Metal door styles



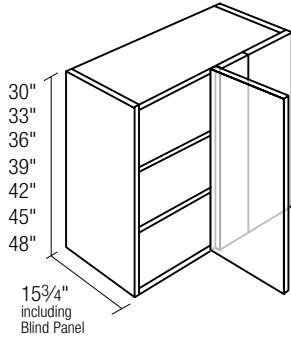
## Blind Corner Cabinet – 27"-36" Wide

Price Grade	1	2	3	4	5	6	7	8	9
<b>13" Deep</b>									
BLW2730	526	578	647	731	806	884	1005	1102	1217
BLW3030	542	597	673	761	833	920	1045	1146	1262
BLW3330	565	621	697	783	864	950	1081	1190	1305
BLW3630	604	665	747	843	929	1017	1156	1268	1394
BLW2733	556	611	684	774	852	936	1064	1168	1285
BLW3033	583	642	722	815	895	986	1119	1229	1352
BLW3333	606	664	746	842	927	1020	1157	1275	1400
BLW3633	648	716	804	908	998	1097	1245	1367	1502
BLW2736	586	644	720	816	898	988	1123	1233	1355
BLW3036	624	688	771	869	957	1053	1194	1312	1441
BLW3336	646	707	796	901	989	1091	1234	1360	1493
BLW3636	694	767	860	973	1069	1178	1333	1467	1610
BLW2739	596	655	732	831	914	1003	1139	1250	1375
BLW3039	648	717	802	909	997	1099	1244	1368	1507
BLW3339	682	747	838	950	1044	1148	1301	1431	1572
BLW3639	746	821	922	1044	1146	1262	1430	1574	1727
BLW2742	604	665	747	843	929	1017	1156	1268	1394
BLW3042	673	744	834	945	1041	1143	1294	1428	1569
BLW3342	717	787	883	1000	1098	1207	1367	1501	1649
BLW3642	797	875	985	1112	1226	1349	1525	1677	1844
BLW2745	611	675	761	855	942	1031	1173	1284	1415
BLW3045	698	771	867	982	1084	1188	1343	1486	1630
BLW3345	752	827	928	1049	1152	1266	1435	1573	1725
BLW3645	848	929	1047	1180	1306	1435	1622	1779	1961
BLW2748	618	686	774	868	956	1044	1190	1301	1436
BLW3048	723	798	899	1018	1126	1232	1393	1544	1691
BLW3348	788	868	973	1099	1206	1324	1502	1645	1801
BLW3648	899	983	1110	1249	1386	1521	1719	1881	2077

# Wall Cabinets : Blind Corner Cabinets

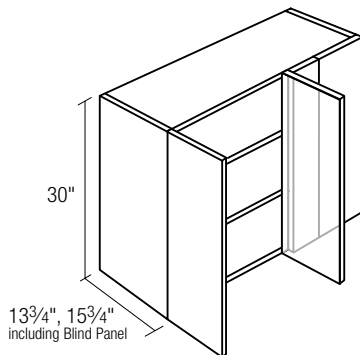
FOR ALL BLIND CORNER WALL CABINETS

- Designate blind side L/R (right shown)
- 24" high has one adjustable shelf; 30", 33" and 36" high have two adjustable shelves; 39", 42", and 45" high have three adjustable shelves; 48" high has four adjustable shelves
- 6" Profile Filler is part of Blind Panel
- **Return Filler required but not included; order separately; see page 14.2**
- Not available in Finline, Slimline or Broadline Metal door styles



## Blind Corner Cabinet – 27"-36" Wide

Price Grade	1	2	3	4	5	6	7	8	9
<b>15" Deep</b>									
BLW2730-15	612	660	729	812	888	964	1085	1182	1298
BLW3030-15	632	680	755	841	914	1002	1125	1227	1341
BLW3330-15	654	701	779	864	947	1030	1162	1271	1387
BLW3630-15	692	746	828	923	1011	1099	1237	1349	1475
BLW2733-15	643	692	766	855	934	1016	1144	1248	1365
BLW3033-15	671	723	805	896	976	1068	1199	1310	1433
BLW3333-15	694	744	828	923	1008	1100	1237	1355	1482
BLW3633-15	738	796	885	987	1080	1178	1326	1448	1583
BLW2736-15	673	724	801	897	979	1069	1202	1312	1434
BLW3036-15	712	768	854	950	1037	1134	1274	1393	1523
BLW3336-15	736	787	877	981	1070	1171	1313	1439	1575
BLW3636-15	783	847	942	1051	1148	1257	1415	1548	1691
BLW2739-15	685	736	816	912	993	1083	1219	1331	1456
BLW3039-15	739	797	885	988	1080	1179	1325	1450	1586
BLW3339-15	770	828	921	1030	1124	1230	1381	1512	1653
BLW3639-15	834	901	1006	1124	1227	1341	1511	1654	1808
BLW2742-15	692	746	828	923	1011	1099	1237	1349	1475
BLW3042-15	764	826	916	1024	1122	1224	1375	1508	1649
BLW3342-15	804	867	964	1081	1178	1288	1449	1582	1731
BLW3642-15	885	954	1068	1195	1307	1429	1606	1756	1926
BLW2745-15	699	756	840	934	1028	1115	1255	1365	1496
BLW3045-15	788	855	948	1061	1164	1270	1423	1566	1711
BLW3345-15	838	906	1007	1131	1231	1346	1519	1654	1808
BLW3645-15	936	1008	1129	1267	1387	1515	1703	1859	2044
BLW2748-15	707	767	851	945	1044	1130	1273	1382	1517
BLW3048-15	811	884	979	1097	1205	1315	1472	1624	1774
BLW3348-15	873	945	1049	1182	1284	1403	1589	1726	1885
BLW3648-15	987	1062	1191	1338	1467	1601	1800	1962	2161



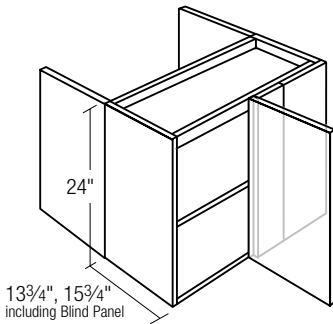
## Blind Corner Cabinet – 39"-48" Wide

Price Grade	1	2	3	4	5	6	7	8	9
<b>13" Deep</b>									
BLW3930	700	771	864	976	1073	1182	1337	1470	1616
BLW4230	730	802	898	1017	1122	1233	1392	1529	1683
BLW4830	761	834	938	1057	1164	1280	1447	1587	1749
<b>15" Deep</b>									
BLW3930-15	809	871	966	1075	1174	1282	1437	1574	1717
BLW4230-15	841	904	1004	1119	1220	1333	1493	1632	1782
BLW4830-15	870	936	1041	1160	1266	1381	1547	1689	1849

# Wall Cabinets : Blind Corner Cabinets

FOR ALL BLIND CORNER WALL CABINETS

- Designate blind side L/R (right shown)
- 24" high has one adjustable shelf; 30", 33" and 36" high have two adjustable shelves; 39", 42", and 45" high have three adjustable shelves; 48" high has four adjustable shelves
- 6" Profile Filler is part of Blind Panel
- **Return Filler required but not included; order separately; see page 14.2**
- Not available in Finline, Slimline or Broadline Metal door styles



- Cabinet top dropped 1 7/8" with front and rear stretcher
- **CAUTION:** Using Peninsula cabinets in a stand-alone application is not recommended

## Blind Corner Peninsula Cabinet

Price Grade	1	2	3	4	5	6	7	8	9
<b>13" Deep</b>									
BLPW2724	739	814	914	1035	1140	1251	1421	1558	1719
BLPW3024	773	851	952	1075	1182	1304	1476	1621	1789
BLPW3324	800	881	989	1118	1228	1353	1528	1684	1855
BLPW3624	851	938	1047	1184	1304	1431	1623	1780	1963
<b>15" Deep</b>									
BLPW2724-15	851	915	1016	1136	1242	1352	1522	1659	1819
BLPW3024-15	884	950	1053	1178	1282	1404	1578	1722	1890
BLPW3324-15	912	981	1092	1217	1329	1455	1631	1784	1956
BLPW3624-15	958	1037	1150	1285	1404	1530	1723	1881	2061

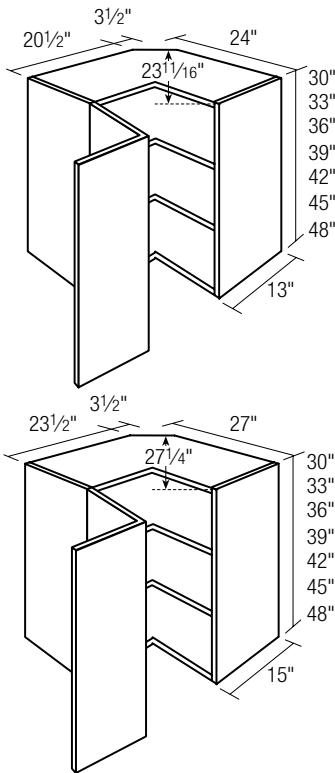
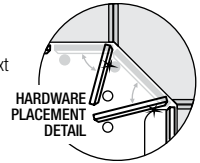


# Wall Cabinets : Corner Cabinets

FOR ALL CORNER WALL CABINETS

- Designate L/R hinge (left shown)
- Use Corner Cabinet Modification Form when requesting a modification; see OneTouch

- Placement of decorative hardware next to a protruding cabinet or appliance may interfere with door fully opening; filler may be required; see detail



## Corner Cabinet

Price Grade	1	2	3	4	5	6	7	8	9
-------------	---	---	---	---	---	---	---	---	---

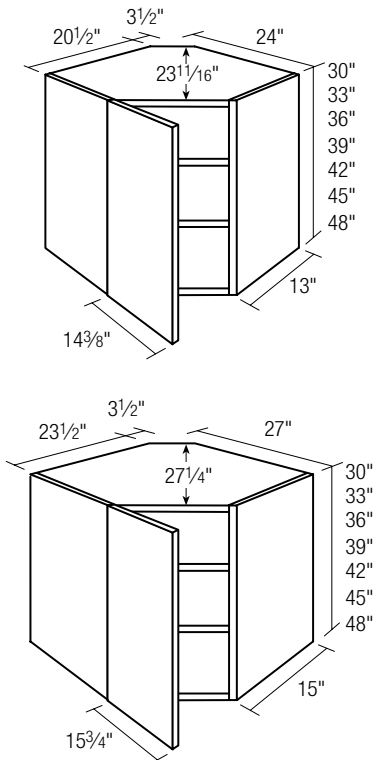
### 13" Deep

CW2430	755	831	931	1053	1161	1277	1441	1583	1746
CW2433	770	848	950	1074	1182	1303	1471	1616	1782
CW2436	784	863	969	1096	1203	1328	1500	1648	1819
CW2439	801	883	989	1119	1228	1353	1530	1684	1853
CW2442	816	902	1011	1140	1253	1377	1563	1719	1888
CW2445	831	920	1032	1161	1278	1401	1596	1753	1923
CW2448	847	937	1053	1181	1303	1424	1629	1787	1959

### 15" Deep

CW2730	941	997	1102	1220	1328	1446	1609	1752	1911
CW2733	956	1015	1122	1242	1350	1471	1640	1784	1949
CW2736	970	1032	1141	1263	1373	1495	1670	1817	1988
CW2739	986	1050	1162	1285	1395	1521	1699	1851	2022
CW2742	1002	1070	1181	1309	1421	1546	1731	1887	2056
CW2745	1018	1089	1200	1333	1447	1571	1762	1922	2092
CW2748	1035	1108	1219	1357	1473	1596	1793	1957	2127

- 30", 33" and 36" high have two adjustable shelves; 39", 42", and 45" high have three adjustable shelves; 48" high has four adjustable shelves
- Doors with wide stiles may have modified door construction
- Available with variable-size legs; designate left leg first, right leg, then height (CW273042); price using Two Dimension Change for wall cabinet
- Finished Ends must be specified
- Soft Close Hinge not available
- Not available in Metal door styles



## Diagonal Corner Cabinets

Price Grade	1	2	3	4	5	6	7	8	9
-------------	---	---	---	---	---	---	---	---	---

### 13" Deep

DCW2430	646	707	796	901	989	1091	1234	1360	1493
DCW2433	701	769	863	977	1074	1184	1337	1472	1620
DCW2436	755	831	931	1053	1161	1277	1441	1583	1746
DCW2439	784	865	970	1098	1206	1328	1501	1651	1816
DCW2442	816	902	1011	1140	1253	1377	1563	1719	1888
DCW2445	848	937	1050	1182	1301	1424	1625	1787	1961
DCW2448	880	973	1090	1225	1349	1472	1687	1856	2033

### 15" Deep

DW2730	831	876	965	1069	1158	1258	1401	1527	1660
DW2733	886	936	1034	1144	1243	1353	1504	1640	1786
DW2736	941	997	1102	1220	1328	1446	1609	1752	1911
DW2739	970	1034	1142	1267	1375	1494	1671	1819	1984
DW2742	1002	1070	1181	1309	1421	1546	1731	1887	2056
DW2745	1033	1105	1220	1353	1469	1598	1790	1955	2129
DW2748	1064	1141	1258	1396	1517	1650	1849	2024	2202

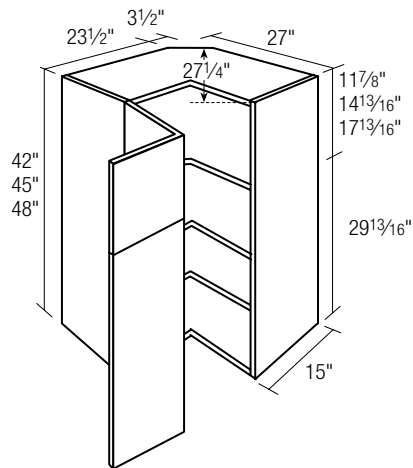
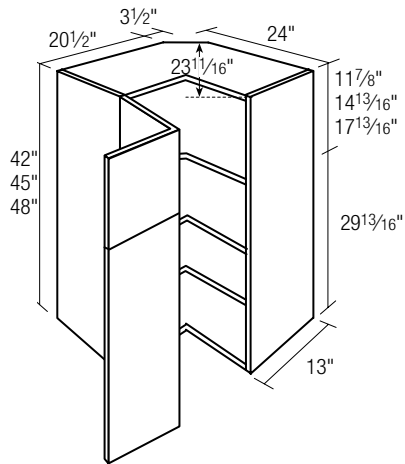
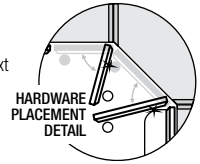
- 30", 33" and 36" high have two adjustable shelves; 39", 42", and 45" high have three adjustable shelves; 48" high has four adjustable shelves
- Finished Ends must be specified

# Wall Cabinets : Stacked Corner Cabinets

## FOR ALL STACKED WALL CABINETS

- 42", 45" and 48" high have two adjustable shelves in the lower section
- Height of upper section cannot be modified without reconfiguration charge and specials drawing
- No charge height modifications can only be applied to lower section
- Prep For Glass modifications apply only to upper section, but entire cabinet will receive Finished Interior. For other configuration, add reconfigure charge and submit drawing
- Intermediate floor is split between upper and lower doors
- Stacked Cabinet height can be increased up to 60" using the Increased Height modification, and up to a max height of 66" using the Stacked Cabinet Modification Order Form; see OneTouch (drawings are required)

- Placement of decorative hardware next to a protruding cabinet or appliance may interfere with door fully opening; filler may be required; see detail



## Stacked Corner Cabinet

Price Grade	1	2	3	4	5	6	7	8	9
<b>13" Deep</b>									
CWST2442	1284	1413	1582	1789	1973	2172	2450	2692	2967
CWST2445	1360	1496	1675	1894	2088	2298	2594	2851	3142
CWST2448	1436	1579	1768	2000	2205	2426	2738	3009	3316
<b>15" Deep</b>									
CWST2742	1600	1696	1873	2074	2258	2459	2737	2979	3248
CWST2745	1695	1795	1983	2195	2390	2604	2897	3153	3439
CWST2748	1788	1895	2095	2318	2523	2748	3058	3329	3630

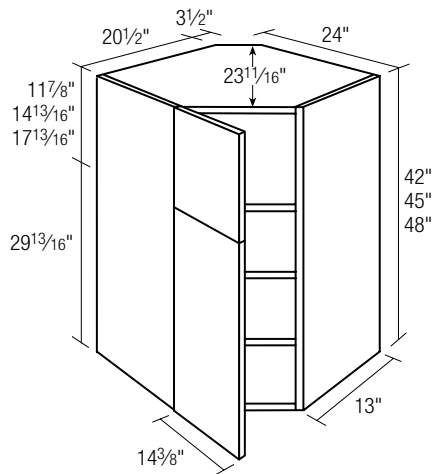
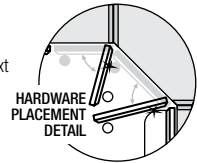
- Designate L/R hinge (left shown)
- Available with variable-size legs; designate left leg first, right leg, then height (CW273042); price using Two Dimension Change for wall cabinet
- For 15" deep cabinet, maximum depth reduction is 13"
- Finished Ends must be specified
- Soft Close Hinge not available
- Doors with wide stiles may have modified door construction
- Not available in Metal door styles
- Use Corner Cabinet Modification Form when requesting a modification; see OneTouch

# Wall Cabinets : Stacked Corner Cabinets

## FOR ALL STACKED WALL CABINETS

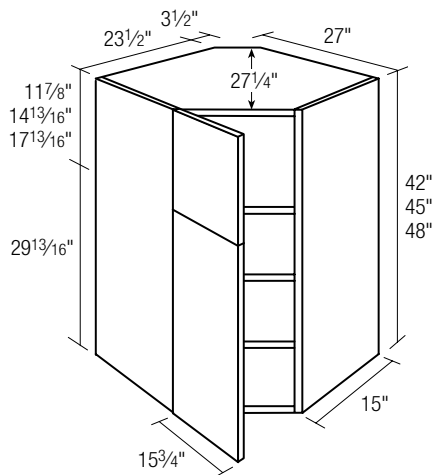
- 42", 45" and 48" high have two adjustable shelves
- Height of upper section cannot be modified without reconfiguration charge and specials drawing
- No charge height modifications can only be applied to lower section
- Prep For Glass modifications apply only to upper section, but entire cabinet will receive Finished Interior. For other configuration, add reconfigure charge and submit drawing
- Intermediate floor is split between upper and lower doors
- Stacked Cabinet height can be increased up to 60" using the Increased Height modification, and up to a max height of 66" using the Stacked Cabinet Modification Order Form; see OneTouch (drawings are required)

- Placement of decorative hardware next to a protruding cabinet or appliance may interfere with door fully opening; filler may be required; see detail



## Stacked Diagonal Corner Cabinet

Price Grade	1	2	3	4	5	6	7	8	9
<b>13" Deep</b>									
DWST2442	1099	1200	1353	1530	1681	1856	2098	2313	2538
DWST2445	1164	1271	1432	1621	1780	1965	2221	2448	2687
DWST2448	1228	1341	1512	1710	1879	2074	2344	2584	2836
<b>15" Deep</b>									
DWST2742	1413	1488	1641	1817	1969	2140	2380	2596	2823
DWST2745	1496	1576	1737	1923	2085	2266	2521	2749	2988
DWST2748	1579	1663	1834	2030	2201	2392	2660	2902	3154

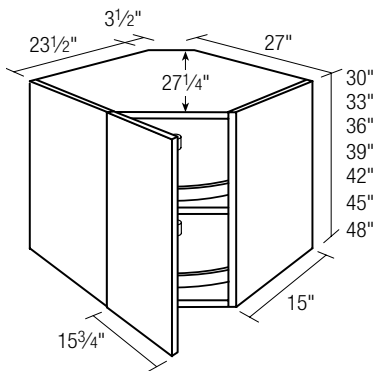
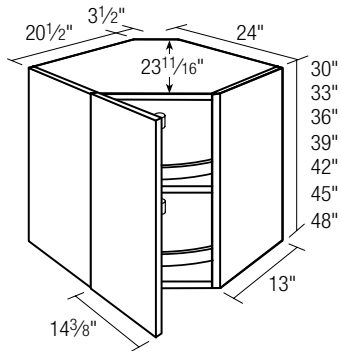
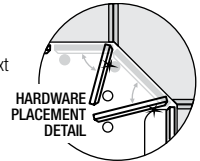


# Wall Cabinets : Corner Cabinets

FOR ALL CORNER WALL CABINETS

- Designate L/R hinge (left shown)
- Use Corner Cabinet Modification Form when requesting a modification; see OneTouch

- Placement of decorative hardware next to a protruding cabinet or appliance may interfere with door fully opening; filler may be required; see detail



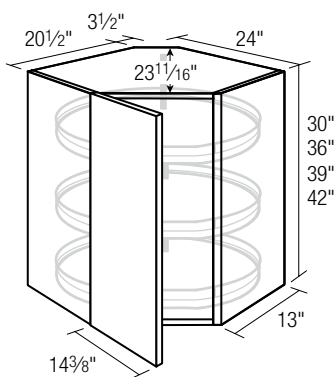
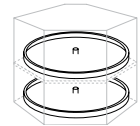
## Diagonal Corner Cabinet with Wood Shelf-mounted Lazy Susans

Price Grade	1	2	3	4	5	6	7	8	9
<b>13" Deep</b>									
DCW2430SWS	963	1023	1113	1218	1306	1408	1551	1677	1810
DCW2433SWS	1018	1086	1180	1294	1392	1501	1655	1789	1937
DCW2436SWS	1072	1148	1248	1369	1477	1594	1758	1900	2062
DCW2439SWS	1259	1340	1445	1573	1681	1803	1976	2126	2291
DCW2442SWS	1290	1377	1486	1615	1728	1851	2037	2193	2363
DCW2445SWS	1323	1412	1525	1657	1776	1899	2100	2262	2435
DCW2448SWS	1355	1447	1565	1700	1823	1947	2162	2330	2508

## 15" Deep

DW2730SWS	1148	1193	1282	1386	1475	1575	1717	1844	1977
DW2733SWS	1361	1411	1509	1619	1717	1828	1979	2114	2261
DW2736SWS	1258	1314	1419	1537	1645	1763	1926	2069	2228
DW2739SWS	1445	1509	1617	1741	1849	1969	2146	2294	2459
DW2742SWS	1476	1545	1656	1784	1896	2021	2206	2362	2531
DW2745SWS	1508	1580	1695	1828	1944	2073	2265	2430	2604
DW2748SWS	1539	1616	1733	1871	1992	2125	2324	2499	2677

- Designate L/R hinge (left shown)
- Depth on both sides must be the same dimension
- Maximum depth reduction is 12 1/8"
- Finished Ends must be specified
- Shelf-mounted susans in wall cabinets are adjustable
- 30"-36" high will have two 18"-diameter susans; 39"-48" high will have three 18"-diameter susans
- Not available with Fineline, Slimline and Broadline Aluminum door styles



## Diagonal Corner Cabinet with Kessebohmer "Twister" Lazy Suzan

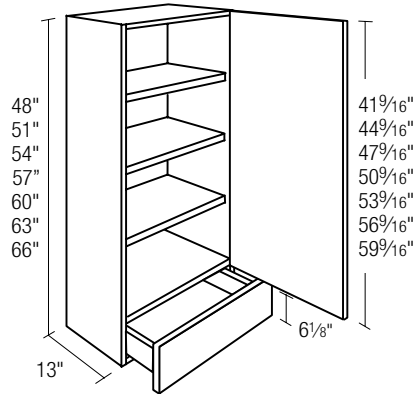
Price Grade	1	2	3	4	5	6	7	8	9
DCW2430KSB	1600	1659	1749	1854	1942	2045	2187	2314	2446
DCW2436KSB	2009	2084	2184	2306	2414	2530	2694	2836	2999
DCW2439KSB	2039	2120	2223	2351	2459	2581	2755	2904	3069
DCW2442KSB	2070	2155	2264	2393	2507	2630	2817	2972	3141

- Designate L/R hinge (left shown)
- Depth on both sides must be the same dimension
- Modifications not available
- Finished Ends must be specified
- Shelves are White or Wood with Chrome rails and non-skid surface
- Susans are adjustable
- 30" high has two susans; 36", 39", and 42" high have three susans
- Not available with Fineline, Slimline and Broadline Aluminum door styles
- 33" high is not available

# Wall Cabinets : Countertop Hutches

## FOR ALL HUTCHES

- Designate L/R hinge (right shown) on single door hutches
- Depth reduction not available due to drawer runner
- See Wood doors section for 5-piece Drawer Front availability
- Horizontal Thermofoils and Textured Melamines not available on doors over 46½" high
- Due to varying countertop heights, it is recommended that you modify the hutch height for perfect alignment.  
Hutch Height = Tall Cabinet Height minus Base  
Cabinet Height minus Countertop Height



- 48" and 51" high have three adjustable shelves;  
54", 57", 60", 63" and 66" high have four adjustable shelves

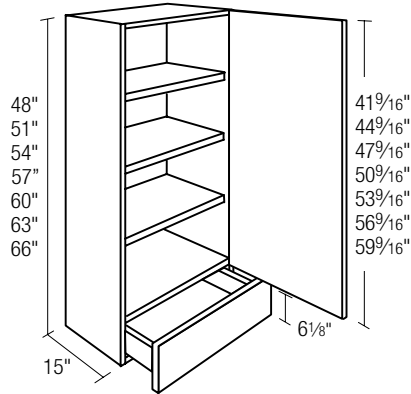
## Countertop Hutches – 1 Drawer, 1 Door

Price Grade	1	2	3	4	5	6	7	8	9
<b>13" Deep</b>									
WH1D1548	861	951	1064	1203	1325	1457	1649	1815	1998
WH1D1848	907	1002	1120	1268	1394	1533	1736	1910	2103
WH1D2148	952	1050	1177	1331	1465	1608	1823	2005	2209
WH1D2448-1	985	1085	1217	1374	1512	1663	1881	2069	2277
WH1D1551	888	980	1099	1242	1367	1505	1701	1874	2062
WH1D1851	936	1033	1157	1309	1439	1584	1791	1971	2170
WH1D2151	983	1083	1215	1374	1511	1662	1881	2070	2279
WH1D2451-1	1026	1132	1269	1432	1576	1735	1964	2159	2378
WH1D1554	915	1009	1134	1281	1409	1552	1752	1932	2125
WH1D1854	964	1063	1194	1350	1484	1634	1845	2032	2237
WH1D2154	1013	1116	1253	1416	1557	1715	1938	2134	2349
WH1D2454-1	1067	1178	1320	1490	1640	1806	2047	2248	2479
WH1D1557	956	1051	1180	1334	1466	1617	1829	2014	2213
WH1D1857	1006	1107	1243	1405	1544	1701	1925	2119	2328
WH1D2157	1056	1163	1304	1474	1621	1788	2021	2224	2445
WH1D2457-1	1107	1219	1368	1546	1703	1873	2124	2333	2572
WH1D1560	993	1095	1228	1387	1526	1680	1901	2094	2299
WH1D1860	1046	1153	1294	1461	1606	1768	2000	2204	2419
WH1D2160	1099	1210	1358	1533	1686	1857	2101	2313	2540
WH1D2460-1	1148	1263	1419	1603	1766	1941	2200	2418	2665
WH1D1563	1031	1139	1276	1440	1587	1743	1974	2174	2386
WH1D1863	1087	1200	1344	1517	1669	1836	2075	2289	2509
WH1D2163	1143	1258	1412	1591	1752	1925	2181	2401	2636
WH1D2463-1	1190	1308	1470	1660	1830	2008	2275	2503	2759
WH1D1566	1068	1182	1324	1493	1647	1807	2047	2254	2472
WH1D1866	1127	1247	1395	1573	1731	1903	2150	2374	2600
WH1D2166	1187	1306	1466	1649	1817	1994	2261	2489	2732
WH1D2466-1	1231	1353	1521	1717	1893	2076	2351	2588	2852

# Wall Cabinets : Countertop Hutches

**FOR ALL HUTCHES**

- Designate L/R hinge (right shown) on single door hutches
- Depth reduction not available due to drawer runner
- See Wood doors section for 5-piece Drawer Front availability
- Horizontal Thermofolds and Textured Melamines not available on doors over 46½" high
- Due to varying countertop heights, it is recommended that you modify the hutch height for perfect alignment.  
Hutch Height = Tall Cabinet Height minus Base  
Cabinet Height minus Countertop Height



- 48" and 51" high have three adjustable shelves;  
54", 57", 60", 63" and 66" high have four adjustable shelves

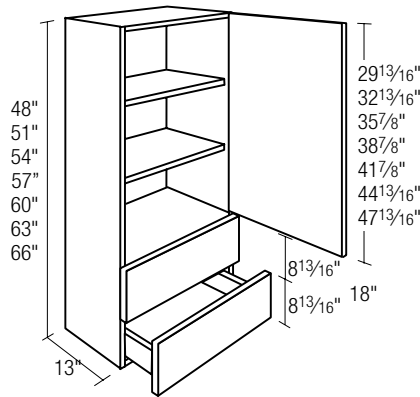
## Countertop Hutches – 1 Drawer, 1 Door

Price Grade	1	2	3	4	5	6	7	8	9
<b>15" Deep</b>									
WH1D1548-15	951	1041	1153	1294	1414	1546	1738	1904	2086
WH1D1848-15	1003	1096	1216	1362	1490	1628	1832	2004	2197
WH1D2148-15	1054	1152	1277	1432	1566	1711	1925	2106	2309
WH1D2448-1-15	1091	1193	1323	1482	1618	1771	1988	2176	2385
WH1D1551-15	981	1073	1191	1336	1459	1597	1793	1965	2153
WH1D1851-15	1034	1130	1256	1406	1537	1682	1889	2069	2269
WH1D2151-15	1087	1188	1319	1478	1615	1767	1985	2174	2383
WH1D2451-1-15	1136	1242	1378	1543	1686	1845	2074	2269	2489
WH1D1554-15	1011	1104	1228	1378	1503	1648	1848	2026	2220
WH1D1854-15	1065	1164	1296	1450	1583	1735	1945	2134	2340
WH1D2154-15	1119	1223	1360	1524	1663	1823	2044	2242	2457
WH1D2454-1-15	1180	1290	1433	1603	1753	1918	2160	2361	2592
WH1D1557-15	1056	1152	1281	1435	1568	1717	1929	2113	2314
WH1D1857-15	1112	1215	1350	1512	1651	1809	2031	2226	2436
WH1D2157-15	1169	1275	1417	1587	1734	1900	2134	2338	2558
WH1D2457-1-15	1225	1337	1488	1664	1822	1992	2243	2453	2690
WH1D1560-15	1101	1202	1336	1494	1633	1788	2007	2199	2405
WH1D1860-15	1160	1267	1407	1574	1720	1882	2113	2316	2532
WH1D2160-15	1218	1330	1476	1653	1806	1976	2219	2432	2659
WH1D2460-1-15	1274	1389	1545	1728	1891	2066	2325	2542	2790
WH1D1563-15	1147	1252	1391	1553	1699	1859	2085	2284	2497
WH1D1863-15	1207	1318	1464	1636	1788	1954	2195	2406	2628
WH1D2163-15	1267	1385	1536	1720	1877	2052	2305	2527	2760
WH1D2463-1-15	1323	1441	1602	1791	1960	2139	2407	2632	2889
WH1D1566-15	1193	1302	1446	1613	1764	1929	2163	2369	2588
WH1D1866-15	1255	1370	1521	1699	1857	2027	2277	2497	2723
WH1D2166-15	1315	1440	1595	1786	1949	2128	2390	2621	2860
WH1D2466-1-15	1371	1493	1659	1855	2028	2213	2489	2721	2989

# Wall Cabinets : Countertop Hutches

## FOR ALL HUTCHES

- Designate L/R hinge (right shown) on single door hutches
- Depth reduction not available due to drawer runner
- See Wood doors section for 5-piece Drawer Front availability
- Horizontal Thermofoils and Textured Melamines not available on doors over 46½" high
- Due to varying countertop heights, it is recommended that you modify the hutch height for perfect alignment.  
Hutch Height = Tall Cabinet Height minus Base  
Cabinet Height minus Countertop Height



- 48" high has two adjustable shelves;
- 51", 54" and 57" high have three adjustable shelves;
- 60", 63" and 66" high have four adjustable shelves

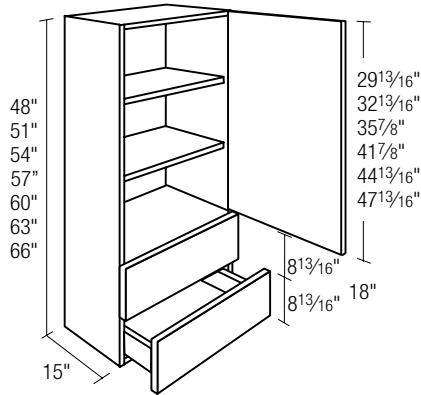
## Countertop Hutches – 2 Drawers, 1 Door

Price Grade	1	2	3	4	5	6	7	8	9
<b>13" Deep</b>									
WH2D1548	965	1065	1197	1353	1486	1635	1848	2036	2238
WH2D1848	1015	1122	1260	1423	1565	1721	1945	2142	2356
WH2D2148	1065	1178	1323	1494	1642	1807	2043	2250	2474
WH2D2448-1	1100	1209	1360	1534	1689	1858	2103	2311	2549
WH2D1551	994	1096	1230	1392	1527	1682	1903	2095	2304
WH2D1851	1046	1154	1295	1464	1608	1770	2002	2204	2425
WH2D2151	1098	1212	1359	1537	1688	1859	2103	2315	2546
WH2D2451-1	1133	1247	1402	1583	1742	1917	2170	2386	2630
WH2D1554	1023	1126	1262	1430	1568	1729	1957	2153	2369
WH2D1854	1076	1185	1329	1504	1651	1819	2059	2266	2494
WH2D2154	1130	1245	1394	1579	1734	1911	2162	2379	2618
WH2D2454-1	1165	1285	1444	1632	1795	1976	2237	2460	2710
WH2D1557	1062	1170	1308	1484	1628	1794	2027	2234	2457
WH2D1857	1118	1231	1377	1561	1714	1888	2135	2351	2586
WH2D2157	1173	1294	1445	1640	1799	1983	2242	2469	2715
WH2D2457-1	1213	1336	1498	1694	1864	2052	2323	2555	2817
WH2D1560	1100	1214	1356	1538	1688	1860	2101	2315	2543
WH2D1860	1158	1277	1428	1617	1777	1959	2211	2437	2678
WH2D2160	1217	1340	1498	1698	1865	2055	2322	2558	2812
WH2D2460-1	1260	1388	1555	1755	1933	2126	2408	2650	2920
WH2D1563	1139	1257	1404	1592	1749	1925	2175	2396	2630
WH2D1863	1199	1323	1478	1673	1839	2029	2287	2524	2769
WH2D2163	1260	1387	1551	1756	1932	2127	2402	2647	2908
WH2D2463-1	1308	1440	1613	1816	2001	2200	2494	2746	3022
WH2D1566	1177	1301	1451	1646	1809	1991	2248	2477	2716
WH2D1866	1240	1368	1529	1729	1901	2100	2363	2610	2860
WH2D2166	1304	1434	1604	1814	1998	2199	2482	2737	3005
WH2D2466-1	1356	1492	1670	1877	2070	2273	2579	2842	3125

# Wall Cabinets : Countertop Hutches

## FOR ALL HUTCHES

- Designate L/R hinge (right shown) on single door hutches
- Depth reduction not available due to drawer runner
- See Wood doors section for 5-piece Drawer Front availability
- Horizontal Thermofoils and Textured Melamines not available on doors over 46½" high
- Due to varying countertop heights, it is recommended that you modify the hutch height for perfect alignment.  
Hutch Height = Tall Cabinet Height minus Base  
Cabinet Height minus Countertop Height



- 48" high has two adjustable shelves;
- 51", 54" and 57" high have three adjustable shelves;
- 60", 63" and 66" high have four adjustable shelves

## Countertop Hutches – 2 Drawers, 1 Door

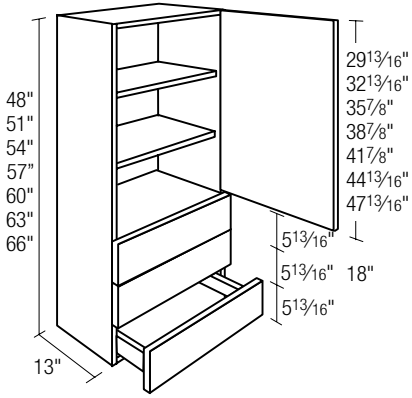
Price Grade	1	2	3	4	5	6	7	8	9
<b>15" Deep</b>									
WH2D1548-15	1054	1155	1285	1442	1575	1724	1938	2125	2327
WH2D1848-15	1110	1217	1356	1519	1659	1816	2042	2238	2452
WH2D2148-15	1167	1278	1424	1596	1742	1908	2143	2351	2576
WH2D2448-1-15	1207	1316	1467	1641	1795	1966	2210	2418	2655
WH2D1551-15	1086	1188	1321	1483	1619	1774	1995	2186	2395
WH2D1851-15	1145	1251	1393	1562	1706	1869	2102	2303	2523
WH2D2151-15	1203	1315	1463	1641	1791	1963	2207	2419	2650
WH2D2451-1-15	1243	1358	1512	1694	1852	2028	2280	2496	2739
WH2D1554-15	1118	1221	1357	1524	1663	1824	2052	2247	2463
WH2D1854-15	1179	1285	1430	1605	1752	1921	2161	2368	2594
WH2D2154-15	1238	1352	1501	1686	1839	2018	2270	2486	2724
WH2D2454-1-15	1278	1400	1556	1746	1909	2090	2350	2573	2823
WH2D1557-15	1163	1272	1410	1584	1729	1894	2130	2335	2557
WH2D1857-15	1224	1338	1485	1668	1820	1996	2242	2459	2693
WH2D2157-15	1285	1407	1558	1753	1912	2097	2354	2582	2828
WH2D2457-1-15	1331	1456	1617	1812	1983	2170	2442	2674	2935
WH2D1560-15	1207	1321	1463	1643	1795	1967	2208	2423	2652
WH2D1860-15	1272	1390	1541	1731	1890	2072	2324	2551	2791
WH2D2160-15	1335	1461	1617	1817	1984	2175	2441	2678	2931
WH2D2460-1-15	1386	1513	1680	1881	2057	2252	2534	2775	3045
WH2D1563-15	1252	1369	1516	1701	1862	2040	2286	2511	2746
WH2D1863-15	1320	1442	1597	1794	1960	2148	2406	2642	2888
WH2D2163-15	1385	1515	1675	1882	2057	2253	2527	2773	3034
WH2D2463-1-15	1441	1570	1743	1949	2131	2333	2627	2876	3155
WH2D1566-15	1297	1418	1569	1759	1928	2112	2364	2600	2841
WH2D1866-15	1367	1494	1653	1858	2029	2223	2488	2734	2986
WH2D2166-15	1435	1569	1733	1946	2130	2330	2613	2869	3137
WH2D2466-1-15	1496	1627	1807	2018	2205	2414	2719	2977	3266



# Wall Cabinets : Countertop Hutches

**FOR ALL HUTCHES**

- Designate L/R hinge (right shown) on single door hutches
- Depth reduction not available due to drawer runner
- See Wood doors section for 5-piece Drawer Front availability
- Horizontal Thermofolds and Textured Melamines not available on doors over 46 1/2" high
- Due to varying countertop heights, it is recommended that you modify the hutch height for perfect alignment.  
Hutch Height = Tall Cabinet Height minus Base  
Cabinet Height minus Countertop Height



- 48", 51" and 54" high have two adjustable shelves;  
57", 60" and 63" high have three adjustable shelves;  
66" high has four adjustable shelves

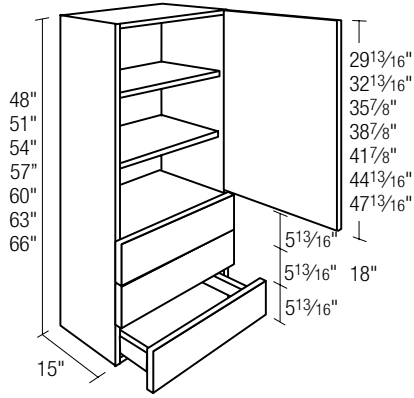
## Countertop Hutches – 3 Drawers, 1 Door

Price Grade	1	2	3	4	5	6	7	8	9
<b>13" Deep</b>									
WH3D1548	1068	1180	1327	1499	1649	1812	2048	2252	2479
WH3D1848	1124	1243	1395	1578	1735	1908	2156	2371	2609
WH3D2148	1180	1304	1466	1657	1822	2002	2265	2489	2740
WH3D2448-1	1207	1332	1495	1688	1858	2047	2311	2545	2801
WH3D1551	1099	1211	1359	1538	1691	1860	2103	2314	2545
WH3D1851	1157	1275	1430	1619	1779	1957	2214	2435	2679
WH3D2151	1215	1339	1502	1700	1868	2054	2326	2557	2813
WH3D2451-1	1241	1369	1536	1735	1910	2103	2378	2617	2881
WH3D1554	1130	1242	1390	1577	1732	1907	2158	2375	2611
WH3D1854	1190	1307	1464	1660	1822	2005	2271	2499	2748
WH3D2154	1250	1373	1538	1742	1913	2106	2386	2625	2886
WH3D2454-1	1275	1406	1577	1781	1962	2158	2444	2688	2961
WH3D1557	1169	1282	1441	1629	1791	1970	2230	2456	2697
WH3D1857	1230	1351	1517	1715	1885	2075	2347	2585	2841
WH3D2157	1293	1417	1591	1801	1980	2178	2463	2714	2983
WH3D2457-1	1322	1458	1636	1848	2033	2237	2534	2788	3070
WH3D1560	1206	1324	1487	1681	1850	2036	2302	2534	2783
WH3D1860	1271	1393	1566	1769	1947	2142	2423	2667	2930
WH3D2160	1333	1464	1643	1858	2046	2250	2543	2800	3076
WH3D2460-1	1368	1510	1695	1913	2105	2316	2625	2885	3178
WH3D1563	1244	1365	1533	1733	1910	2103	2375	2612	2870
WH3D1863	1311	1436	1615	1823	2009	2210	2499	2749	3019
WH3D2163	1374	1511	1695	1915	2111	2323	2623	2886	3170
WH3D2463-1	1415	1562	1753	1977	2177	2395	2715	2983	3286
WH3D1566	1281	1407	1578	1785	1969	2169	2448	2690	2956
WH3D1866	1352	1478	1663	1877	2072	2277	2575	2831	3109
WH3D2166	1414	1557	1747	1972	2177	2396	2703	2973	3263
WH3D2466-1	1462	1614	1811	2042	2248	2474	2805	3081	3394

# Wall Cabinets : Countertop Hutches

## FOR ALL HUTCHES

- Designate L/R hinge (right shown) on single door hutches
- Depth reduction not available due to drawer runner
- See Wood doors section for 5-piece Drawer Front availability
- Horizontal Thermofoils and Textured Melamines not available on doors over 46½" high
- Due to varying countertop heights, it is recommended that you modify the hutch height for perfect alignment.  
Hutch Height = Tall Cabinet Height minus Base  
Cabinet Height minus Countertop Height



- 48", 51" and 54" high have two adjustable shelves;
- 57", 60" and 63" high have three adjustable shelves;
- 66" high has four adjustable shelves

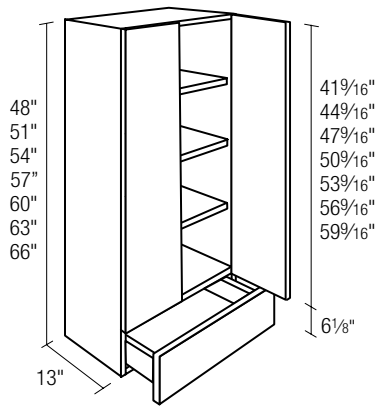
## Countertop Hutches – 3 Drawers, 1 Door

Price Grade	1	2	3	4	5	6	7	8	9
<b>15" Deep</b>									
WH3D1548-15	1157	1270	1415	1588	1738	1902	2137	2342	2568
WH3D1848-15	1219	1337	1491	1673	1831	2002	2252	2466	2705
WH3D2148-15	1280	1406	1567	1757	1923	2104	2365	2591	2841
WH3D2448-1-15	1313	1438	1603	1794	1966	2154	2418	2652	2909
WH3D1551-15	1191	1303	1451	1630	1783	1952	2195	2406	2638
WH3D1851-15	1255	1373	1529	1717	1877	2055	2313	2533	2778
WH3D2151-15	1319	1443	1606	1804	1972	2159	2429	2662	2917
WH3D2451-1-15	1351	1479	1647	1844	2021	2212	2488	2727	2991
WH3D1554-15	1225	1336	1486	1672	1827	2001	2253	2469	2707
WH3D1854-15	1291	1408	1566	1761	1923	2108	2373	2600	2850
WH3D2154-15	1357	1480	1644	1850	2020	2214	2493	2732	2993
WH3D2454-1-15	1388	1519	1690	1894	2075	2270	2557	2801	3073
WH3D1557-15	1271	1385	1542	1731	1891	2072	2330	2556	2800
WH3D1857-15	1337	1458	1624	1822	1992	2181	2454	2691	2949
WH3D2157-15	1406	1530	1705	1913	2094	2291	2577	2827	3095
WH3D2457-1-15	1441	1577	1755	1967	2153	2356	2653	2906	3189
WH3D1560-15	1313	1432	1595	1789	1959	2142	2408	2640	2890
WH3D1860-15	1382	1507	1678	1883	2060	2257	2536	2779	3043
WH3D2160-15	1451	1582	1762	1977	2165	2370	2663	2919	3196
WH3D2460-1-15	1493	1634	1819	2040	2231	2441	2748	3011	3302
WH3D1563-15	1356	1478	1648	1847	2026	2213	2486	2724	2981
WH3D1863-15	1427	1555	1732	1943	2129	2333	2618	2868	3138
WH3D2163-15	1497	1634	1819	2042	2237	2449	2749	3010	3297
WH3D2463-1-15	1545	1691	1884	2112	2309	2525	2844	3116	3415
WH3D1566-15	1398	1525	1701	1906	2094	2284	2564	2808	3071
WH3D1866-15	1471	1604	1786	2003	2197	2408	2700	2956	3232
WH3D2166-15	1543	1686	1876	2106	2309	2528	2835	3101	3398
WH3D2466-1-15	1597	1749	1948	2185	2387	2609	2939	3221	3528

# Wall Cabinets : Countertop Hutches

## FOR ALL HUTCHES

- Designate L/R hinge (right shown) on single door hutches
- Depth reduction not available due to drawer runner
- See Wood doors section for 5-piece Drawer Front availability
- Horizontal Thermofolds and Textured Melamines not available on doors over 46½" high
- Due to varying countertop heights, it is recommended that you modify the hutch height for perfect alignment.  
Hutch Height = Tall Cabinet Height minus Base  
Cabinet Height minus Countertop Height



- 48" and 51" high have three adjustable shelves;  
54", 57", 60", 63" and 66" high have four adjustable shelves

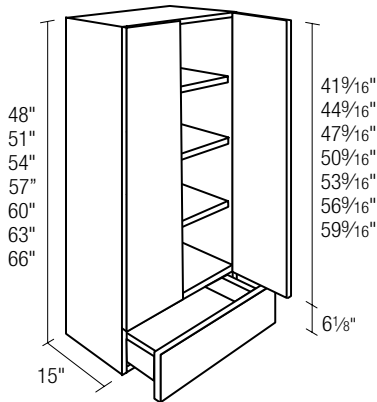
## Countertop Hutches – 1 Drawer, 2 Doors

Price Grade	1	2	3	4	5	6	7	8	9
<b>13" Deep</b>									
WH1D2448	985	1085	1217	1374	1512	1663	1881	2069	2277
WH1D2748	1094	1206	1352	1526	1680	1848	2090	2297	2531
WH1D3048	1127	1243	1393	1574	1732	1906	2154	2369	2609
WH1D3348	1162	1280	1435	1621	1782	1963	2218	2441	2688
WH1D3648	1195	1318	1476	1667	1835	2020	2283	2512	2766
WH1D2451	1026	1132	1269	1432	1576	1735	1964	2159	2378
WH1D2751	1139	1257	1410	1591	1751	1927	2182	2398	2642
WH1D3051	1174	1296	1453	1641	1806	1987	2250	2472	2725
WH1D3351	1210	1335	1496	1689	1859	2047	2317	2547	2807
WH1D3651	1245	1374	1539	1738	1913	2106	2384	2621	2888
WH1D2454	1067	1178	1320	1490	1640	1806	2047	2248	2479
WH1D2754	1184	1308	1467	1656	1822	2005	2274	2498	2753
WH1D3054	1221	1349	1512	1708	1880	2068	2345	2575	2840
WH1D3354	1257	1389	1557	1757	1935	2130	2415	2653	2925
WH1D3654	1295	1430	1602	1809	1991	2192	2485	2729	3010
WH1D2457	1107	1219	1368	1546	1703	1873	2124	2333	2572
WH1D2757	1230	1354	1521	1717	1892	2081	2361	2593	2857
WH1D3057	1268	1395	1568	1770	1950	2147	2433	2673	2945
WH1D3357	1305	1437	1615	1824	2009	2210	2506	2752	3035
WH1D3657	1343	1480	1661	1876	2068	2274	2579	2833	3123
WH1D2460	1148	1263	1419	1603	1766	1941	2200	2418	2665
WH1D2760	1276	1405	1578	1781	1963	2157	2445	2687	2960
WH1D3060	1316	1447	1626	1836	2023	2223	2521	2770	3052
WH1D3360	1355	1491	1676	1891	2083	2290	2596	2853	3144
WH1D3660	1394	1534	1723	1946	2143	2357	2672	2936	3235
WH1D2463	1190	1308	1470	1660	1830	2008	2275	2503	2759
WH1D2763	1322	1456	1635	1844	2033	2233	2529	2780	3063
WH1D3063	1365	1499	1684	1901	2096	2300	2608	2867	3159
WH1D3363	1405	1545	1737	1957	2157	2370	2687	2954	3253
WH1D3663	1445	1588	1784	2016	2219	2441	2766	3039	3348
WH1D2466	1231	1353	1521	1717	1893	2076	2351	2588	2852
WH1D2766	1367	1507	1693	1908	2104	2309	2613	2874	3166
WH1D3066	1414	1551	1742	1967	2168	2377	2695	2963	3266
WH1D3366	1455	1599	1799	2024	2231	2450	2777	3055	3362
WH1D3666	1496	1642	1845	2085	2295	2524	2859	3142	3460

# Wall Cabinets : Countertop Hutches

## FOR ALL HUTCHES

- Designate L/R hinge (right shown) on single door hutches
- Depth reduction not available due to drawer runner
- See Wood doors section for 5-piece Drawer Front availability
- Horizontal Thermofoils and Textured Melamines not available on doors over 46 1/2" high
- Due to varying countertop heights, it is recommended that you modify the hutch height for perfect alignment.  
Hutch Height = Tall Cabinet Height minus Base  
Cabinet Height minus Countertop Height



- 48" and 51" high have three adjustable shelves;  
54", 57", 60", 63" and 66" high have four adjustable shelves

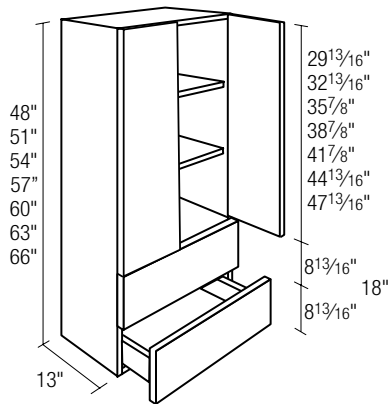
## Countertop Hutches – 1 Drawer, 2 Doors

Price Grade	1	2	3	4	5	6	7	8	9
<b>15" Deep</b>									
WH1D2448-15	1091	1193	1323	1482	1618	1771	1988	2176	2385
WH1D2748-15	1206	1320	1465	1639	1792	1962	2204	2410	2645
WH1D3048-15	1246	1361	1513	1693	1850	2024	2272	2487	2728
WH1D3348-15	1285	1406	1560	1746	1909	2088	2344	2566	2813
WH1D3648-15	1327	1448	1607	1799	1966	2152	2415	2642	2897
WH1D2451-15	1136	1242	1378	1543	1686	1845	2074	2269	2489
WH1D2751-15	1255	1374	1526	1707	1867	2044	2300	2514	2760
WH1D3051-15	1297	1417	1575	1763	1927	2108	2371	2594	2846
WH1D3351-15	1337	1463	1624	1818	1988	2175	2446	2675	2934
WH1D3651-15	1380	1507	1673	1873	2048	2240	2519	2755	3022
WH1D2454-15	1180	1290	1433	1603	1753	1918	2160	2361	2592
WH1D2754-15	1303	1428	1586	1775	1941	2125	2395	2617	2874
WH1D3054-15	1348	1472	1636	1832	2003	2192	2469	2701	2964
WH1D3354-15	1389	1520	1688	1889	2066	2262	2547	2783	3055
WH1D3654-15	1432	1566	1739	1946	2129	2328	2623	2867	3147
WH1D2457-15	1225	1337	1488	1664	1822	1992	2243	2453	2690
WH1D2757-15	1355	1478	1645	1843	2018	2207	2485	2718	2982
WH1D3057-15	1398	1526	1698	1902	2081	2275	2564	2804	3076
WH1D3357-15	1443	1575	1752	1962	2147	2347	2644	2890	3171
WH1D3657-15	1487	1623	1805	2020	2211	2417	2722	2977	3266
WH1D2460-15	1274	1389	1545	1728	1891	2066	2325	2542	2790
WH1D2760-15	1408	1536	1709	1912	2094	2288	2576	2818	3092
WH1D3060-15	1451	1584	1763	1972	2159	2361	2657	2906	3189
WH1D3360-15	1498	1634	1818	2035	2227	2433	2740	2995	3286
WH1D3660-15	1544	1683	1872	2096	2293	2506	2821	3085	3383
WH1D2463-15	1323	1441	1602	1791	1960	2139	2407	2632	2889
WH1D2763-15	1461	1593	1774	1980	2169	2369	2666	2918	3202
WH1D3063-15	1504	1643	1829	2042	2237	2446	2749	3008	3301
WH1D3363-15	1553	1694	1885	2109	2307	2520	2835	3100	3402
WH1D3663-15	1601	1743	1940	2172	2375	2595	2920	3193	3500
WH1D2466-15	1371	1493	1659	1855	2028	2213	2489	2721	2989
WH1D2766-15	1514	1650	1838	2049	2245	2450	2756	3017	3312
WH1D3066-15	1557	1701	1894	2111	2315	2531	2842	3110	3413
WH1D3366-15	1608	1753	1951	2183	2387	2606	2931	3205	3517
WH1D3666-15	1658	1804	2007	2247	2457	2685	3018	3301	3618

# Wall Cabinets : Countertop Hutches

## FOR ALL HUTCHES

- Designate L/R hinge (right shown) on single door hutches
- Depth reduction not available due to drawer runner
- See Wood doors section for 5-piece Drawer Front availability
- Horizontal Thermofolds and Textured Melamines not available on doors over 46 1/2" high
- Due to varying countertop heights, it is recommended that you modify the hutch height for perfect alignment.  
Hutch Height = Tall Cabinet Height minus Base  
Cabinet Height minus Countertop Height



- 48" high has two adjustable shelves;  
51", 54" and 57" high have three adjustable shelves;  
60", 63" and 66" high have four adjustable shelves

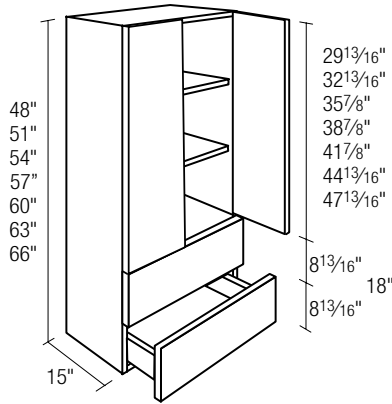
## Countertop Hutches – 2 Drawers, 2 Doors

Price Grade	1	2	3	4	5	6	7	8	9
<b>13" Deep</b>									
WH2D2448	1100	1209	1360	1534	1689	1858	2103	2311	2549
WH2D2748	1182	1300	1463	1649	1816	1999	2262	2485	2740
WH2D3048	1219	1339	1508	1700	1872	2060	2330	2562	2824
WH2D3348	1255	1380	1552	1752	1928	2123	2401	2638	2909
WH2D3648	1293	1421	1599	1803	1984	2185	2471	2715	2993
WH2D2451	1133	1247	1402	1583	1742	1917	2170	2386	2630
WH2D2751	1218	1342	1507	1702	1873	2062	2334	2565	2827
WH2D3051	1256	1383	1554	1755	1932	2126	2405	2645	2915
WH2D3351	1293	1425	1600	1808	1990	2190	2478	2723	3002
WH2D3651	1331	1467	1648	1860	2047	2254	2550	2803	3089
WH2D2454	1165	1285	1444	1632	1795	1976	2237	2460	2710
WH2D2754	1253	1384	1551	1754	1930	2125	2405	2645	2913
WH2D3054	1293	1427	1600	1809	1991	2191	2480	2727	3005
WH2D3354	1331	1469	1648	1863	2051	2257	2554	2807	3094
WH2D3654	1368	1512	1696	1917	2110	2323	2629	2890	3185
WH2D2457	1213	1336	1498	1694	1864	2052	2323	2555	2817
WH2D2757	1302	1437	1610	1820	2003	2207	2498	2747	3028
WH2D3057	1343	1483	1660	1877	2066	2274	2575	2832	3122
WH2D3357	1384	1526	1711	1934	2129	2343	2653	2916	3216
WH2D3657	1423	1570	1761	1990	2190	2410	2729	3002	3307
WH2D2460	1260	1388	1555	1755	1933	2126	2408	2650	2920
WH2D2760	1355	1492	1673	1887	2078	2287	2590	2849	3140
WH2D3060	1396	1539	1724	1945	2141	2357	2669	2937	3238
WH2D3360	1439	1584	1776	2003	2207	2428	2749	3026	3334
WH2D3660	1482	1631	1828	2063	2271	2499	2829	3113	3432
WH2D2463	1308	1440	1613	1816	2001	2200	2494	2746	3022
WH2D2763	1408	1547	1735	1953	2153	2367	2683	2951	3252
WH2D3063	1449	1595	1787	2013	2217	2441	2764	3042	3353
WH2D3363	1494	1643	1840	2073	2285	2513	2846	3135	3453
WH2D3663	1540	1693	1894	2137	2352	2587	2929	3224	3556
WH2D2466	1356	1492	1670	1877	2070	2273	2579	2842	3125
WH2D2766	1461	1602	1797	2020	2228	2447	2775	3053	3364
WH2D3066	1502	1651	1850	2080	2293	2524	2858	3147	3468
WH2D3366	1549	1701	1904	2142	2363	2599	2942	3244	3571
WH2D3666	1598	1754	1961	2211	2433	2675	3029	3335	3681

# Wall Cabinets : Countertop Hutches

**FOR ALL HUTCHES**

- Designate L/R hinge (right shown) on single door hutches
- Depth reduction not available due to drawer runner
- See Wood doors section for 5-piece Drawer Front availability
- Horizontal Thermofoils and Textured Melamines not available on doors over 46 1/2" high
- Due to varying countertop heights, it is recommended that you modify the hutch height for perfect alignment.  
Hutch Height = Tall Cabinet Height minus Base  
Cabinet Height minus Countertop Height



- 48" high has two adjustable shelves;
- 51", 54" and 57" high have three adjustable shelves;
- 60", 63" and 66" high have four adjustable shelves

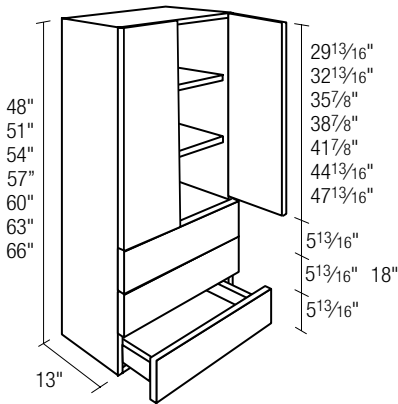
## Countertop Hutches – 2 Drawers, 2 Doors

Price Grade	1	2	3	4	5	6	7	8	9
<b>15" Deep</b>									
WH2D2448-15	1207	1316	1467	1641	1795	1966	2210	2418	2655
WH2D2748-15	1296	1413	1576	1762	1929	2112	2375	2598	2853
WH2D3048-15	1337	1460	1627	1819	1991	2180	2449	2682	2942
WH2D3348-15	1380	1506	1678	1876	2053	2247	2525	2764	3035
WH2D3648-15	1423	1551	1729	1934	2114	2315	2602	2847	3125
WH2D2451-15	1243	1358	1512	1694	1852	2028	2280	2496	2739
WH2D2751-15	1335	1458	1624	1818	1989	2178	2450	2681	2943
WH2D3051-15	1377	1505	1676	1877	2053	2248	2528	2767	3035
WH2D3351-15	1421	1553	1729	1935	2117	2318	2606	2852	3130
WH2D3651-15	1465	1600	1781	1994	2181	2387	2684	2938	3223
WH2D2454-15	1278	1400	1556	1746	1909	2090	2350	2573	2823
WH2D2754-15	1373	1502	1671	1873	2049	2244	2524	2764	3033
WH2D3054-15	1416	1550	1725	1934	2115	2316	2606	2852	3128
WH2D3354-15	1462	1600	1779	1994	2181	2388	2686	2939	3224
WH2D3654-15	1506	1649	1833	2054	2247	2459	2766	3028	3321
WH2D2457-15	1331	1456	1617	1812	1983	2170	2442	2674	2935
WH2D2757-15	1429	1562	1736	1946	2129	2330	2623	2873	3152
WH2D3057-15	1473	1613	1792	2008	2196	2405	2707	2963	3253
WH2D3357-15	1520	1662	1848	2071	2265	2480	2790	3054	3352
WH2D3657-15	1567	1713	1903	2133	2333	2554	2873	3146	3452
WH2D2460-15	1386	1513	1680	1881	2057	2252	2534	2775	3045
WH2D2760-15	1487	1623	1804	2019	2209	2418	2721	2981	3272
WH2D3060-15	1533	1676	1861	2082	2280	2495	2806	3074	3375
WH2D3360-15	1581	1727	1919	2148	2349	2572	2894	3168	3478
WH2D3660-15	1629	1779	1976	2212	2420	2648	2979	3262	3580
WH2D2463-15	1441	1570	1743	1949	2131	2333	2627	2876	3155
WH2D2763-15	1545	1684	1871	2092	2289	2505	2819	3089	3391
WH2D3063-15	1592	1739	1929	2156	2363	2584	2906	3186	3496
WH2D3363-15	1643	1791	1990	2224	2433	2663	2998	3282	3603
WH2D3663-15	1691	1844	2049	2291	2507	2743	3085	3379	3709
WH2D2466-15	1496	1627	1807	2018	2205	2414	2719	2977	3266
WH2D2766-15	1603	1746	1939	2164	2369	2592	2916	3197	3511
WH2D3066-15	1651	1803	1998	2230	2446	2673	3006	3297	3618
WH2D3366-15	1704	1856	2060	2301	2517	2754	3101	3396	3729
WH2D3666-15	1754	1910	2122	2370	2594	2838	3191	3495	3838

# Wall Cabinets : Countertop Hutches

## FOR ALL HUTCHES

- Designate L/R hinge (right shown) on single door hutches
- Depth reduction not available due to drawer runner
- See Wood doors section for 5-piece Drawer Front availability
- Horizontal Thermofoils and Textured Melamines not available on doors over 46½" high
- Due to varying countertop heights, it is recommended that you modify the hutch height for perfect alignment.  
Hutch Height = Tall Cabinet Height minus Base  
Cabinet Height minus Countertop Height



- 48", 51" and 54" high have two adjustable shelves;  
57", 60" and 63" high have three adjustable shelves;  
66" high has four adjustable shelves

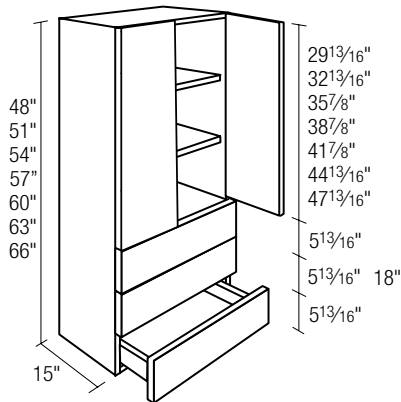
## Countertop Hutches – 3 Drawers, 2 Doors

Price Grade	1	2	3	4	5	6	7	8	9
<b>13" Deep</b>									
WH3D2448	1207	1332	1495	1688	1858	2047	2311	2545	2801
WH3D2748	1298	1432	1608	1815	1999	2200	2485	2736	3012
WH3D3048	1337	1475	1658	1871	2060	2269	2562	2821	3106
WH3D3348	1378	1521	1709	1927	2123	2337	2638	2905	3199
WH3D3648	1417	1565	1757	1983	2185	2405	2715	2990	3293
WH3D2451	1241	1369	1536	1735	1910	2103	2378	2617	2881
WH3D2751	1335	1472	1652	1865	2054	2260	2557	2813	3098
WH3D3051	1375	1517	1704	1923	2118	2330	2636	2901	3194
WH3D3351	1417	1563	1755	1981	2181	2400	2715	2987	3290
WH3D3651	1458	1609	1805	2039	2245	2471	2794	3075	3386
WH3D2454	1275	1406	1577	1781	1962	2158	2444	2688	2961
WH3D2754	1371	1512	1696	1915	2109	2320	2629	2890	3183
WH3D3054	1413	1558	1749	1975	2175	2391	2710	2980	3282
WH3D3354	1456	1604	1800	2035	2239	2463	2791	3069	3380
WH3D3654	1498	1652	1853	2094	2305	2536	2873	3160	3479
WH3D2457	1322	1458	1636	1848	2033	2237	2534	2788	3070
WH3D2757	1421	1568	1760	1988	2187	2405	2724	2996	3301
WH3D3057	1466	1616	1814	2048	2254	2480	2807	3090	3403
WH3D3357	1510	1664	1869	2110	2322	2554	2894	3182	3507
WH3D3657	1553	1713	1922	2172	2389	2629	2978	3275	3607
WH3D2460	1368	1510	1695	1913	2105	2316	2625	2885	3178
WH3D2760	1471	1623	1822	2057	2264	2490	2822	3103	3416
WH3D3060	1518	1673	1880	2122	2333	2567	2909	3200	3522
WH3D3360	1563	1723	1935	2185	2404	2645	2995	3296	3627
WH3D3660	1607	1774	1991	2248	2474	2721	3084	3390	3734
WH3D2463	1415	1562	1753	1977	2177	2395	2715	2983	3286
WH3D2763	1521	1678	1885	2127	2341	2576	2920	3211	3532
WH3D3063	1570	1730	1945	2195	2412	2655	3011	3310	3642
WH3D3363	1616	1781	2000	2260	2486	2737	3097	3409	3748
WH3D3663	1661	1834	2059	2325	2559	2814	3190	3506	3861
WH3D2466	1462	1614	1811	2042	2248	2474	2805	3081	3394
WH3D2766	1571	1733	1947	2196	2418	2661	3017	3318	3647
WH3D3066	1622	1787	2010	2269	2490	2742	3113	3420	3761
WH3D3366	1669	1839	2066	2335	2568	2828	3199	3522	3868
WH3D3666	1715	1894	2128	2402	2644	2906	3296	3621	3988

# Wall Cabinets : Countertop Hutches

## FOR ALL HUTCHES

- Designate L/R hinge (right shown) on single door hutches
- Depth reduction not available due to drawer runner
- See Wood doors section for 5-piece Drawer Front availability
- Horizontal Thermofolds and Textured Melamines not available on doors over 46½" high
- Due to varying countertop heights, it is recommended that you modify the hutch height for perfect alignment.  
Hutch Height = Tall Cabinet Height minus Base  
Cabinet Height minus Countertop Height



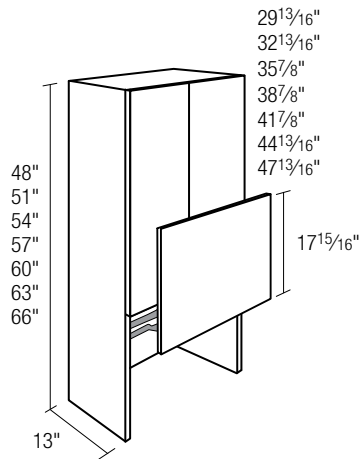
- 48", 51" and 54" high have two adjustable shelves;
- 57", 60" and 63" high have three adjustable shelves;
- 66" high has four adjustable shelves

## Countertop Hutches – 3 Drawers, 2 Doors

Price Grade	1	2	3	4	5	6	7	8	9
<b>15" Deep</b>									
WH3D2448-15	1313	1438	1603	1794	1966	2154	2418	2652	2909
WH3D2748-15	1411	1545	1721	1928	2112	2314	2598	2849	3125
WH3D3048-15	1457	1596	1777	1990	2180	2388	2682	2939	3224
WH3D3348-15	1502	1645	1833	2052	2247	2462	2764	3030	3323
WH3D3648-15	1549	1696	1889	2113	2315	2536	2847	3121	3422
WH3D2451-15	1351	1479	1647	1844	2021	2212	2488	2727	2991
WH3D2751-15	1451	1588	1768	1982	2170	2377	2673	2930	3214
WH3D3051-15	1498	1640	1825	2045	2240	2452	2758	3023	3316
WH3D3351-15	1544	1691	1883	2109	2309	2528	2843	3116	3418
WH3D3651-15	1592	1743	1940	2172	2379	2604	2929	3209	3520
WH3D2454-15	1388	1519	1690	1894	2075	2270	2557	2801	3073
WH3D2754-15	1490	1631	1815	2035	2228	2439	2747	3010	3302
WH3D3054-15	1539	1683	1873	2100	2299	2516	2834	3106	3408
WH3D3354-15	1586	1736	1932	2165	2370	2594	2922	3201	3512
WH3D3654-15	1634	1789	1990	2231	2442	2672	3010	3296	3617
WH3D2457-15	1441	1577	1755	1967	2153	2356	2653	2906	3189
WH3D2757-15	1547	1693	1885	2112	2311	2531	2849	3122	3427
WH3D3057-15	1597	1748	1945	2180	2386	2611	2939	3220	3535
WH3D3357-15	1646	1801	2004	2247	2459	2691	3030	3320	3643
WH3D3657-15	1696	1856	2066	2315	2532	2771	3121	3417	3752
WH3D2460-15	1493	1634	1819	2040	2231	2441	2748	3011	3302
WH3D2760-15	1602	1753	1953	2189	2396	2621	2953	3234	3547
WH3D3060-15	1654	1809	2016	2258	2471	2705	3046	3336	3659
WH3D3360-15	1705	1865	2078	2327	2547	2788	3139	3437	3771
WH3D3660-15	1756	1922	2139	2398	2623	2870	3233	3540	3883
WH3D2463-15	1545	1691	1884	2112	2309	2525	2844	3116	3415
WH3D2763-15	1657	1813	2022	2266	2481	2712	3057	3347	3668
WH3D3063-15	1711	1870	2086	2336	2556	2798	3153	3453	3784
WH3D3363-15	1764	1929	2152	2407	2634	2884	3248	3554	3898
WH3D3663-15	1816	1989	2213	2481	2715	2968	3346	3662	4014
WH3D2466-15	1597	1749	1948	2185	2387	2609	2939	3221	3528
WH3D2766-15	1712	1873	2090	2343	2566	2802	3161	3459	3788
WH3D3066-15	1768	1932	2157	2414	2641	2892	3260	3569	3909
WH3D3366-15	1823	1994	2226	2487	2721	2981	3357	3672	4026
WH3D3666-15	1876	2055	2287	2564	2806	3067	3458	3785	4145



# Wall Cabinets : Appliance Garages with Swing-up Doors



- Finished Ends included
- Top doors are non-operable while Swing-up Door is open
- In upper section: 48", 51" and 54" high have two adjustable shelves; 57", 60" and 63" high have three adjustable shelves; 66" high has four adjustable shelves
- For cabinets with doors prepared for glass on SKUs with a door in the bottom section, please specify top, bottom or both; if nothing is specified, only the top section will be prepped for glass
- Due to varying countertop heights, it is recommended that you modify the hutch height for perfect alignment. Hutch Height = Tall Cabinet Height minus Base Cabinet Height minus Countertop Height
- Due to the weight of some door materials, not all size combinations are allowed

### Height modifications

for swing-up section:

Minimum = 11<sup>13</sup>/<sub>16</sub>"  
Maximum = 22<sup>13</sup>/<sub>16</sub>"

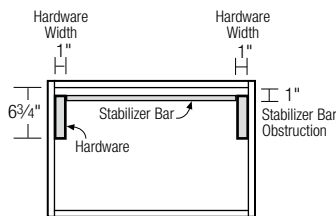
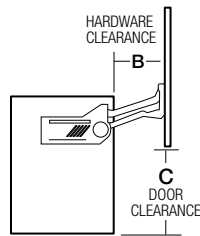
Depth modifications:

Minimum = 12<sup>1</sup>/<sub>8</sub>"  
Maximum = 24"

Width modification:

Minimum = 12"  
Maximum = 36"

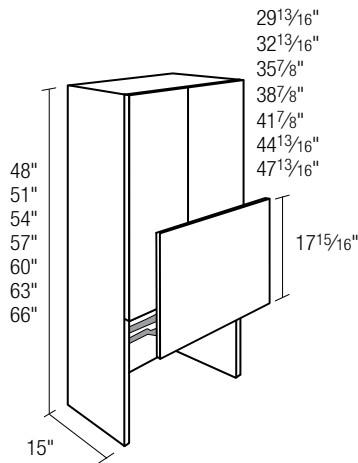
- B:** Distance between back of open door and face of cabinet  
 11<sup>13</sup>/<sub>16</sub>"-13<sup>3</sup>/<sub>4</sub>" high = 4<sup>1</sup>/<sub>2</sub>"  
 13<sup>13</sup>/<sub>16</sub>"-15<sup>13</sup>/<sub>16</sub>" high = 5<sup>3</sup>/<sub>4</sub>"  
 15<sup>3</sup>/<sub>4</sub>"-17<sup>5</sup>/<sub>8</sub>" high = 7"  
 17<sup>1</sup>/<sub>16</sub>"-22<sup>13</sup>/<sub>16</sub>" high = 8<sup>1</sup>/<sub>4</sub>"
- C:** Distance between bottom of open door to bottom of cabinet  
 11<sup>13</sup>/<sub>16</sub>"-13<sup>3</sup>/<sub>4</sub>" high = 10<sup>1</sup>/<sub>16</sub>"  
 13<sup>13</sup>/<sub>16</sub>"-15<sup>13</sup>/<sub>16</sub>" high = 13<sup>1</sup>/<sub>2</sub>"  
 15<sup>3</sup>/<sub>4</sub>"-17<sup>5</sup>/<sub>8</sub>" high = 16<sup>15</sup>/<sub>16</sub>"  
 17<sup>1</sup>/<sub>16</sub>"-22<sup>13</sup>/<sub>16</sub>" high = 20<sup>3</sup>/<sub>8</sub>"



## Appliance Garage – Swing-up Door

Price Grade	1	2	3	4	5	6	7	8	9
<b>13" Deep</b>									
SUAG2148HL	2138	2352	2693	2977	3276	3603	4070	4481	4927
SUAG2448HL	2190	2408	2758	3045	3353	3685	4164	4583	5040
SUAG2448HL-1	2190	2408	2758	3045	3353	3685	4164	4583	5040
SUAG2748HL	2239	2463	2820	3115	3428	3769	4260	4685	5154
SUAG3048HL	2290	2519	2881	3185	3504	3854	4353	4790	5269
SUAG3348HL	2354	2591	2964	3277	3605	3966	4480	4929	5420
SUAG3648HL	2420	2664	3047	3368	3706	4078	4606	5068	5572
SUAG2151HL	2165	2381	2727	3013	3316	3647	4121	4535	4988
SUAG2451HL	2227	2450	2804	3097	3409	3748	4236	4660	5126
SUAG2451HL-1	2227	2450	2804	3097	3409	3748	4236	4660	5126
SUAG2751HL	2288	2516	2880	3182	3501	3851	4351	4786	5266
SUAG3051HL	2350	2585	2957	3269	3595	3954	4466	4915	5406
SUAG3351HL	2434	2679	3065	3389	3727	4100	4632	5095	5604
SUAG3651HL	2520	2773	3173	3508	3859	4245	4796	5277	5803
SUAG2154HL	2192	2410	2760	3048	3355	3691	4172	4588	5049
SUAG2454HL	2264	2492	2849	3149	3464	3811	4308	4737	5212
SUAG2454HL-1	2264	2492	2849	3149	3464	3811	4308	4737	5212
SUAG2754HL	2337	2569	2940	3248	3574	3932	4441	4887	5377
SUAG3054HL	2409	2650	3033	3353	3685	4054	4579	5039	5543
SUAG3354HL	2514	2766	3166	3500	3848	4233	4783	5261	5788
SUAG3654HL	2620	2882	3299	3648	4012	4412	4986	5485	6033
SUAG2157HL	2220	2443	2800	3094	3402	3741	4229	4650	5116
SUAG2457HL	2302	2532	2899	3205	3524	3877	4381	4820	5302
SUAG2457HL-1	2302	2532	2899	3205	3524	3877	4381	4820	5302
SUAG2757HL	2383	2623	3000	3316	3649	4014	4535	4989	5487
SUAG3057HL	2465	2710	3102	3430	3772	4149	4688	5157	5673
SUAG3357HL	2566	2823	3231	3572	3929	4322	4884	5373	5910
SUAG3657HL	2668	2936	3360	3715	4087	4496	5081	5589	6148
SUAG2160HL	2254	2480	2843	3140	3457	3801	4293	4726	5198
SUAG2460HL	2344	2577	2951	3261	3589	3947	4460	4906	5397
SUAG2460HL-1	2344	2577	2951	3261	3589	3947	4460	4906	5397
SUAG2760HL	2433	2674	3062	3383	3720	4094	4624	5087	5596
SUAG3060HL	2519	2770	3171	3506	3855	4241	4791	5270	5800
SUAG3360HL	2618	2880	3296	3644	4008	4410	4983	5481	6029
SUAG3660HL	2718	2989	3421	3782	4161	4577	5174	5692	6259
SUAG2163HL	2287	2517	2885	3186	3512	3860	4358	4803	5280
SUAG2463HL	2386	2621	3003	3318	3653	4018	4539	4992	5491
SUAG2463HL-1	2386	2621	3003	3318	3653	4018	4539	4992	5491
SUAG2763HL	2483	2725	3124	3449	3790	4174	4712	5185	5705
SUAG3063HL	2573	2830	3240	3581	3938	4334	4894	5383	5926
SUAG3363HL	2670	2936	3361	3715	4086	4496	5081	5589	6149
SUAG3663HL	2768	3042	3483	3848	4235	4658	5268	5795	6370
SUAG2166HL	2320	2555	2928	3231	3567	3919	4422	4880	5362
SUAG2466HL	2427	2666	3055	3374	3718	4088	4618	5079	5586
SUAG2466HL-1	2427	2666	3055	3374	3718	4088	4618	5079	5586
SUAG2766HL	2533	2776	3187	3516	3861	4254	4800	5282	5814
SUAG3066HL	2627	2890	3308	3657	4021	4426	4997	5496	6053
SUAG3366HL	2722	2992	3427	3786	4164	4582	5178	5697	6267
SUAG3666HL	2818	3095	3544	3915	4309	4739	5361	5897	6481

# Wall Cabinets : Appliance Garages with Swing-up Doors

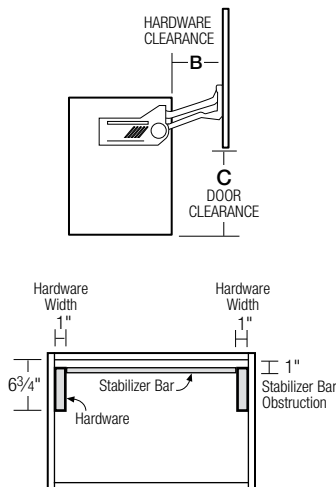


- Finished Ends included
- Top doors are non-operable while Swing-up Door is open
- In upper section: 48", 51" and 54" high have two adjustable shelves; 57", 60" and 63" high have three adjustable shelves; 66" high has four adjustable shelves
- For cabinets with doors prepared for glass on SKUs with a door in the bottom section, please specify top, bottom or both; if nothing is specified, only the top section will be prepped for glass
- Due to varying countertop heights, it is recommended that you modify the hutch height for perfect alignment. Hutch Height = Tall Cabinet Height minus Base Cabinet Height minus Countertop Height
- Due to the weight of some door materials, not all size combinations are allowed

### Height modifications

for swing-up section:	Depth modifications:	Width modification:
Minimum = 11 <sup>13</sup> / <sub>16</sub> "	Minimum = 12 <sup>1</sup> / <sub>8</sub> "	Minimum = 12"
Maximum = 22 <sup>13</sup> / <sub>16</sub> "	Maximum = 24"	Maximum = 36"

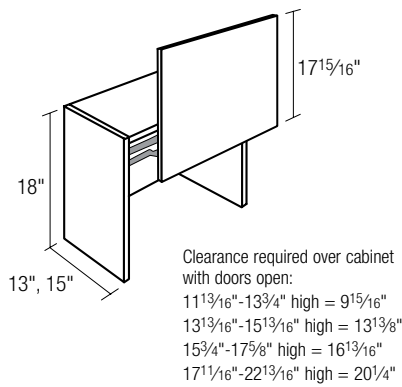
- B:** Distance between back of open door and face of cabinet  
 11<sup>13</sup>/<sub>16</sub>"-13<sup>3</sup>/<sub>4</sub>" high = 4<sup>1</sup>/<sub>2</sub>"  
 13<sup>13</sup>/<sub>16</sub>"-15<sup>13</sup>/<sub>16</sub>" high = 5<sup>3</sup>/<sub>4</sub>"  
 15<sup>3</sup>/<sub>4</sub>"-17<sup>5</sup>/<sub>8</sub>" high = 7"  
 17<sup>1</sup>/<sub>16</sub>"-22<sup>13</sup>/<sub>16</sub>" high = 8<sup>1</sup>/<sub>4</sub>"
- C:** Distance between bottom of open door to bottom of cabinet  
 11<sup>13</sup>/<sub>16</sub>"-13<sup>3</sup>/<sub>4</sub>" high = 10<sup>1</sup>/<sub>16</sub>"  
 13<sup>13</sup>/<sub>16</sub>"-15<sup>13</sup>/<sub>16</sub>" high = 13<sup>1</sup>/<sub>2</sub>"  
 15<sup>3</sup>/<sub>4</sub>"-17<sup>5</sup>/<sub>8</sub>" high = 16<sup>1</sup>/<sub>16</sub>"  
 17<sup>1</sup>/<sub>16</sub>"-22<sup>13</sup>/<sub>16</sub>" high = 20<sup>3</sup>/<sub>8</sub>"



## Appliance Garage – Swing-up Door

Price Grade	1	2	3	4	5	6	7	8	9
<b>15" Deep</b>									
SUAG2148-15HL	2227	2448	2793	3072	3372	3699	4166	4576	5021
SUAG2448-15HL	2276	2503	2856	3143	3448	3781	4261	4679	5137
SUAG2448-15HL-1	2276	2503	2856	3143	3448	3781	4261	4679	5137
SUAG2748-15HL	2326	2559	2918	3211	3522	3866	4354	4783	5252
SUAG3048-15HL	2377	2614	2981	3282	3598	3950	4451	4886	5365
SUAG3348-15HL	2444	2687	3065	3373	3700	4062	4577	5026	5517
SUAG3648-15HL	2509	2760	3148	3464	3802	4174	4703	5165	5670
SUAG2151-15HL	2254	2478	2826	3109	3412	3743	4217	4630	5083
SUAG2451-15HL	2314	2545	2903	3194	3505	3844	4332	4756	5222
SUAG2451-15HL-1	2314	2545	2903	3194	3505	3844	4332	4756	5222
SUAG2751-15HL	2375	2613	2979	3278	3596	3946	4446	4883	5363
SUAG3051-15HL	2437	2680	3057	3365	3690	4051	4564	5011	5503
SUAG3351-15HL	2523	2774	3165	3484	3822	4197	4728	5193	5701
SUAG3651-15HL	2608	2869	3274	3603	3954	4341	4894	5374	5900
SUAG2154-15HL	2280	2507	2858	3146	3451	3787	4267	4684	5145
SUAG2454-15HL	2351	2587	2950	3245	3561	3907	4402	4832	5307
SUAG2454-15HL-1	2351	2587	2950	3245	3561	3907	4402	4832	5307
SUAG2754-15HL	2423	2666	3039	3344	3670	4026	4538	4982	5473
SUAG3054-15HL	2497	2746	3132	3448	3781	4152	4676	5136	5640
SUAG3354-15HL	2602	2861	3265	3595	3944	4331	4879	5359	5885
SUAG3654-15HL	2707	2978	3399	3742	4106	4508	5084	5583	6129
SUAG2157-15HL	2309	2538	2899	3189	3498	3838	4323	4746	5212
SUAG2457-15HL	2389	2629	3000	3300	3622	3974	4477	4916	5398
SUAG2457-15HL-1	2389	2629	3000	3300	3622	3974	4477	4916	5398
SUAG2757-15HL	2471	2718	3100	3412	3744	4108	4632	5086	5585
SUAG3057-15HL	2551	2806	3203	3524	3868	4245	4785	5255	5770
SUAG3357-15HL	2654	2920	3331	3668	4025	4419	4981	5469	6007
SUAG3657-15HL	2758	3033	3460	3811	4183	4592	5176	5683	6244
SUAG2160-15HL	2343	2576	2941	3235	3551	3897	4391	4822	5294
SUAG2460-15HL	2432	2673	3051	3357	3684	4044	4557	5003	5492
SUAG2460-15HL-1	2432	2673	3051	3357	3684	4044	4557	5003	5492
SUAG2760-15HL	2519	2770	3160	3479	3815	4189	4722	5183	5694
SUAG3060-15HL	2607	2866	3270	3600	3951	4338	4887	5366	5894
SUAG3360-15HL	2706	2976	3395	3738	4104	4505	5079	5577	6126
SUAG3660-15HL	2804	3085	3521	3878	4257	4673	5269	5787	6357
SUAG2163-15HL	2377	2613	2984	3282	3604	3957	4458	4898	5376
SUAG2463-15HL	2476	2718	3101	3414	3747	4113	4637	5090	5587
SUAG2463-15HL-1	2476	2718	3101	3414	3747	4113	4637	5090	5587
SUAG2763-15HL	2566	2822	3219	3545	3887	4270	4813	5279	5803
SUAG3063-15HL	2663	2925	3336	3676	4034	4430	4990	5478	6019
SUAG3363-15HL	2758	3031	3460	3810	4183	4592	5176	5684	6244
SUAG3663-15HL	2851	3137	3582	3944	4331	4754	5361	5891	6469
SUAG2166-15HL	2412	2650	3027	3329	3657	4016	4526	4974	5458
SUAG2466-15HL	2520	2763	3152	3471	3809	4183	4717	5177	5681
SUAG2466-15HL-1	2520	2763	3152	3471	3809	4183	4717	5177	5681
SUAG2766-15HL	2614	2874	3278	3612	3959	4351	4903	5376	5912
SUAG3066-15HL	2719	2984	3403	3752	4118	4523	5093	5589	6144
SUAG3366-15HL	2808	3086	3523	3882	4261	4680	5274	5791	6363
SUAG3666-15HL	2898	3189	3644	4011	4404	4836	5454	5995	6581

# Wall Cabinets : Appliance Garages with Swing-up Doors



## Straight Appliance Garage – Swing-up Door

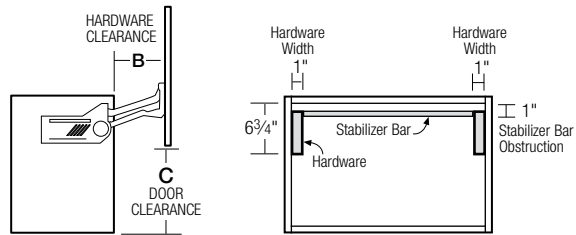
Price Grade	1	2	3	4	5	6	7	8	9
<b>13" Deep</b>									
SUAGST24HL	1469	1617	1850	2047	2252	2476	2799	3078	3387
SUAGST27HL	1513	1663	1904	2104	2315	2548	2878	3165	3483
SUAGST30HL	1555	1712	1959	2163	2380	2618	2957	3254	3578
SUAGST36HL	1677	1844	2110	2332	2564	2822	3189	3509	3859

## 15" Deep

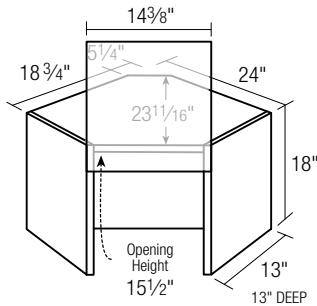
SUAGST24-15HL	1507	1656	1891	2084	2290	2515	2839	3117	3426
SUAGST27-15HL	1547	1703	1943	2142	2352	2586	2915	3204	3520
SUAGST30-15HL	1589	1750	1997	2202	2418	2656	2995	3293	3618
SUAGST36-15-HL	1712	1882	2150	2371	2602	2859	3227	3546	3897

Height modifications : Minimum = 11<sup>13</sup>/<sub>16</sub>" Maximum = 22<sup>13</sup>/<sub>16</sub>"  
 Depth modifications: Minimum = 12<sup>1</sup>/<sub>8</sub>" Maximum = 24"  
 Width modification: Minimum = 12" Maximum = 36"

- B:** Distance between back of open door and face of cabinet  
 11<sup>13</sup>/<sub>16</sub>"-13<sup>3</sup>/<sub>4</sub>" high = 4<sup>1</sup>/<sub>2</sub>"  
 13<sup>3</sup>/<sub>16</sub>"-15<sup>13</sup>/<sub>16</sub>" high = 5<sup>3</sup>/<sub>4</sub>"  
 15<sup>3</sup>/<sub>4</sub>"-17<sup>9</sup>/<sub>8</sub>" high = 7"  
 17<sup>1</sup>/<sub>16</sub>"-22<sup>13</sup>/<sub>16</sub>" high = 8<sup>1</sup>/<sub>4</sub>"
- C:** Distance between bottom of open door to bottom of cabinet  
 11<sup>13</sup>/<sub>16</sub>"-13<sup>3</sup>/<sub>4</sub>" high = 10<sup>1</sup>/<sub>16</sub>"  
 13<sup>3</sup>/<sub>16</sub>"-15<sup>13</sup>/<sub>16</sub>" high = 13<sup>1</sup>/<sub>2</sub>"  
 15<sup>3</sup>/<sub>4</sub>"-17<sup>9</sup>/<sub>8</sub>" high = 16<sup>15</sup>/<sub>16</sub>"  
 17<sup>1</sup>/<sub>16</sub>"-22<sup>13</sup>/<sub>16</sub>" high = 20<sup>3</sup>/<sub>8</sub>"



- Due to the weight of some door materials, not all size combinations are allowed

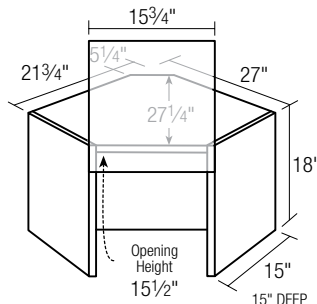


## Corner Appliance Garage – Swing-up Door

Price Grade	1	2	3	4	5	6	7	8	9
<b>13" Deep</b>									
SUCAGHL	1447	1594	1822	2017	2218	2440	2758	3033	3334
<b>15" Deep</b>									
SUCAG27HL	1594	1752	1990	2177	2378	2599	2916	3191	3494

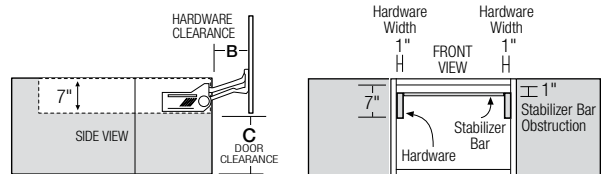
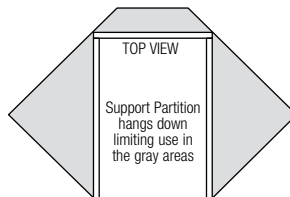
- Installed partitions hang down 7" from top inside cabinet and limit the usable space
- Depth and width modifications not available
- Due to the weight of some door materials, not all size combinations are allowed

Height modifications:  
 Minimum = 11<sup>13</sup>/<sub>16</sub>"  
 Maximum = 22<sup>13</sup>/<sub>16</sub>"



Clearance required over cabinet with doors open:  
 11<sup>13</sup>/<sub>16</sub>"-13<sup>3</sup>/<sub>4</sub>" high = 9<sup>15</sup>/<sub>16</sub>"  
 13<sup>3</sup>/<sub>16</sub>"-15<sup>13</sup>/<sub>16</sub>" high = 13<sup>13</sup>/<sub>8</sub>"  
 15<sup>3</sup>/<sub>4</sub>"-17<sup>9</sup>/<sub>8</sub>" high = 16<sup>13</sup>/<sub>16</sub>"  
 17<sup>1</sup>/<sub>16</sub>"-22<sup>13</sup>/<sub>16</sub>" high = 20<sup>1</sup>/<sub>4</sub>"

- B:** Distance between back of open door and face of cabinet  
 11<sup>13</sup>/<sub>16</sub>"-13<sup>3</sup>/<sub>4</sub>" high = 4<sup>1</sup>/<sub>2</sub>"  
 13<sup>3</sup>/<sub>16</sub>"-15<sup>13</sup>/<sub>16</sub>" high = 5<sup>3</sup>/<sub>4</sub>"  
 15<sup>3</sup>/<sub>4</sub>"-17<sup>9</sup>/<sub>8</sub>" high = 7"  
 17<sup>1</sup>/<sub>16</sub>"-22<sup>13</sup>/<sub>16</sub>" high = 8<sup>1</sup>/<sub>4</sub>"
- C:** Distance between bottom of open door to bottom of cabinet  
 11<sup>13</sup>/<sub>16</sub>"-13<sup>3</sup>/<sub>4</sub>" high = 10<sup>1</sup>/<sub>16</sub>"  
 13<sup>3</sup>/<sub>16</sub>"-15<sup>13</sup>/<sub>16</sub>" high = 13<sup>1</sup>/<sub>2</sub>"  
 15<sup>3</sup>/<sub>4</sub>"-17<sup>9</sup>/<sub>8</sub>" high = 16<sup>15</sup>/<sub>16</sub>"  
 17<sup>1</sup>/<sub>16</sub>"-22<sup>13</sup>/<sub>16</sub>" high = 20<sup>3</sup>/<sub>8</sub>"

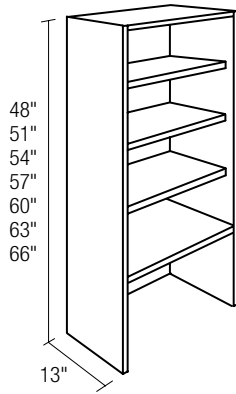


# Wall Cabinets : Open Shelf Cabinets

FOR ALL WALL OPEN SHELF CABINETS

- Finished Interior and Finished Ends standard
- 48", 51" and 54" high have one fixed shelf 18" from the bottom and three additional adjustable shelves
- 57", 60" and 63" high have one fixed shelf 18" from the bottom and four additional adjustable shelves
- 66" high has one fixed shelf 18" from the bottom and five additional adjustable shelves
- Adjustable shelves are not flush with the front of the cabinet; see page 1.7

- Shipped with a protective panel on bottom
- **CAUTION:** Adjustable shelves require additional support for heavy loads
- Due to varying countertop heights, it is recommended that you modify the cabinet height for perfect alignment. Height = Tall Cabinet Height minus Base Cabinet Height minus Countertop Height



## Wall Open Shelf

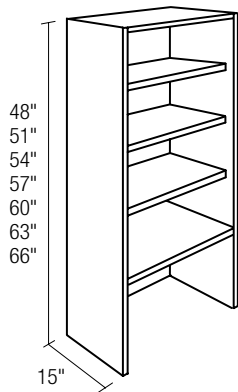
	Melamine	Eurotek	Textured Melamine	Standard Thermofoil	Premium Thermofoil	Wood	Wood Premium	Metal	UltraLux
<b>13" Deep</b>									
WOS1848	570	570	684	684	1646			1646	1646
WOS2148	609	609	731	731	1693			1693	1693
WOS2448	648	648	778	778	1739			1739	1739
WOS2748	705	705	846	846	1806			1806	1806
WOS3048	763	763	916	916	1872			1872	1872
WOS3348	801	801	961	961	1965			1965	1965
WOS3648	841	841	1009	1009	2056			2056	2056
WOS1851	572	572	687	687	1670			1670	1670
WOS2151	618	618	742	742	1721			1721	1721
WOS2451	664	664	797	797	1772			1772	1772
WOS2751	720	720	864	864	1843			1843	1843
WOS3051	777	777	933	933	1913			1913	1913
WOS3351	818	818	982	982	2004			2004	2004
WOS3651	861	861	1033	1033	2094			2094	2094
WOS1854	574	574	689	689	1693			1693	1693
WOS2154	627	627	752	752	1749			1749	1749
WOS2454	680	680	816	816	1805			1805	1805
WOS2754	735	735	882	882	1879			1879	1879
WOS3054	791	791	949	949	1953			1953	1953
WOS3354	835	835	1002	1002	2042			2042	2042
WOS3654	881	881	1057	1057	2131			2131	2131
WOS1857	576	576	691	691	1716			1716	1716
WOS2157	635	635	762	762	1777			1777	1777
WOS2457	694	694	833	833	1838			1838	1838
WOS2757	749	749	899	899	1918			1918	1918
WOS3057	803	803	964	964	1997			1997	1997
WOS3357	853	853	1024	1024	2081			2081	2081
WOS3657	901	901	1081	1081	2167			2167	2167
WOS1860	579	579	695	695	1739			1739	1739
WOS2160	644	644	773	773	1806			1806	1806
WOS2460	710	710	852	852	1872			1872	1872
WOS2760	764	764	917	917	1955			1955	1955
WOS3060	818	818	982	982	2040			2040	2040
WOS3360	869	869	1043	1043	2123			2123	2123
WOS3660	920	920	1104	1104	2207			2207	2207
WOS1863	582	582	698	698	1762			1762	1762
WOS2163	654	654	785	785	1835			1835	1835
WOS2463	725	725	870	870	1907			1907	1907
WOS2763	779	779	935	935	1995			1995	1995
WOS3063	832	832	998	998	2082			2082	2082
WOS3363	884	884	1061	1061	2164			2164	2164
WOS3663	938	938	1126	1126	2246			2246	2246
WOS1866	585	585	702	702	1785			1785	1785
WOS2166	663	663	796	796	1863			1863	1863
WOS2466	741	741	889	889	1941			1941	1941
WOS2766	794	794	953	953	2032			2032	2032
WOS3066	847	847	1016	1016	2125			2125	2125
WOS3366	900	900	1080	1080	2206			2206	2206
WOS3666	957	957	1148	1148	2286			2286	2286

# Wall Cabinets : Open Shelf Cabinets

## FOR ALL WALL OPEN SHELF CABINETS

- Finished Interior and Finished Ends standard
- 48", 51" and 54" high have one fixed shelf 18" from the bottom and three additional adjustable shelves
- 57", 60" and 63" high have one fixed shelf 18" from the bottom and four additional adjustable shelves
- 66" high has one fixed shelf 18" from the bottom and five additional adjustable shelves
- Adjustable shelves are not flush with the front of the cabinet; see page 1.7

- Shipped with a protective panel on bottom
- **CAUTION:** Adjustable shelves require additional support for heavy loads
- Due to varying countertop heights, it is recommended that you modify the cabinet height for perfect alignment. Height = Tall Cabinet Height minus Base Cabinet Height minus Countertop Height



## Wall Open Shelf

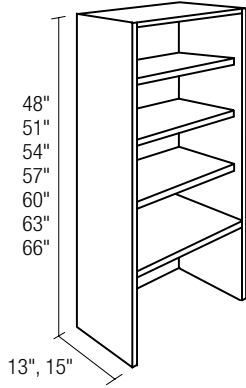
	Melamine	Eurotek	Textured Melamine	Standard Thermofoil	Premium Thermofoil	Wood	Wood Premium	Metal	UltraLux
<b>15" Deep</b>									
WOS1848-15	677	677	812	812	1808			1808	1808
WOS2148-15	717	717	860	860	1855			1855	1855
WOS2448-15	756	756	907	907	1901			1901	1901
WOS2748-15	812	812	974	974	1967			1967	1967
WOS3048-15	869	869	1043	1043	2032			2032	2032
WOS3348-15	909	909	1091	1091	2125			2125	2125
WOS3648-15	949	949	1139	1139	2217			2217	2217
WOS1851-15	680	680	815	815	1832			1832	1832
WOS2151-15	725	725	870	870	1883			1883	1883
WOS2451-15	770	770	924	924	1934			1934	1934
WOS2751-15	827	827	992	992	2004			2004	2004
WOS3051-15	883	883	1060	1060	2073			2073	2073
WOS3351-15	926	926	1111	1111	2165			2165	2165
WOS3651-15	969	969	1163	1163	2255			2255	2255
WOS1854-15	682	682	818	818	1855			1855	1855
WOS2154-15	733	733	880	880	1910			1910	1910
WOS2454-15	784	784	941	941	1966			1966	1966
WOS2754-15	841	841	1009	1009	2040			2040	2040
WOS3054-15	897	897	1076	1076	2113			2113	2113
WOS3354-15	942	942	1130	1130	2204			2204	2204
WOS3654-15	988	988	1186	1186	2292			2292	2292
WOS1857-15	685	685	822	822	1876			1876	1876
WOS2157-15	743	743	892	892	1939			1939	1939
WOS2457-15	802	802	962	962	2000			2000	2000
WOS2757-15	857	857	1028	1028	2079			2079	2079
WOS3057-15	912	912	1094	1094	2158			2158	2158
WOS3357-15	960	960	1152	1152	2243			2243	2243
WOS3657-15	1009	1009	1211	1211	2327			2327	2327
WOS1860-15	688	688	826	826	1901			1901	1901
WOS2160-15	753	753	904	904	1967			1967	1967
WOS2460-15	818	818	982	982	2032			2032	2032
WOS2760-15	871	871	1045	1045	2115			2115	2115
WOS3060-15	924	924	1109	1109	2199			2199	2199
WOS3360-15	976	976	1171	1171	2283			2283	2283
WOS3660-15	1028	1028	1234	1234	2368			2368	2368
WOS1863-15	691	691	829	829	1926			1926	1926
WOS2163-15	762	762	914	914	1995			1995	1995
WOS2463-15	833	833	1000	1000	2064			2064	2064
WOS2763-15	884	884	1061	1061	2152			2152	2152
WOS3063-15	935	935	1122	1122	2239			2239	2239
WOS3363-15	991	991	1189	1189	2322			2322	2322
WOS3663-15	1046	1046	1255	1255	2408			2408	2408
WOS1866-15	694	694	833	833	1951			1951	1951
WOS2166-15	771	771	925	925	2024			2024	2024
WOS2466-15	849	849	1019	1019	2097			2097	2097
WOS2766-15	898	898	1078	1078	2188			2188	2188
WOS3066-15	947	947	1136	1136	2280			2280	2280
WOS3366-15	1007	1007	1208	1208	2362			2362	2362
WOS3666-15	1065	1065	1278	1278	2449			2449	2449

# Wall Cabinets : Open Shelf Cabinets

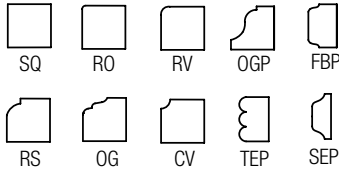
## FOR ALL WALL OPEN SHELF CABINETS

- Finished Interior and Finished Ends standard
- 48", 51" and 54" high have one fixed shelf 18" from the bottom and three additional adjustable shelves
- 57", 60" and 63" high have one fixed shelf 18" from the bottom and four additional adjustable shelves
- 66" high has one fixed shelf 18" from the bottom and five additional adjustable shelves
- Adjustable shelves are not flush with the front of the cabinet; see page 1.7

- Shipped with a protective panel on bottom
- **CAUTION:** Adjustable shelves require additional support for heavy loads
- Due to varying countertop heights, it is recommended that you modify the cabinet height for perfect alignment. Height = Tall Cabinet Height minus Base Cabinet Height minus Countertop Height



- 3/4"-thick shelves standard
- Wood Premium available in Walnut
- Upgrade to optional applied shelf edging; add 20%

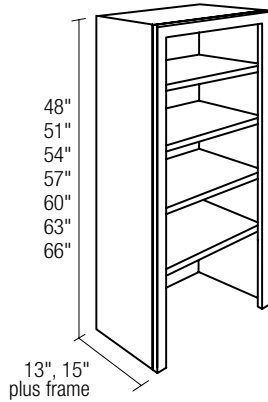


- Shelf edging not available in Deluxe Veneers
- TEP not available in Red Birch or Alder
- OGP, FBP, TEP, SEP not available in Walnut

## Wall Open Shelf

	Wood		Wood Premium	
	Wood	Wood Premium	Wood	Wood Premium
<b>13" Deep</b>				
VWOS1848	1336	1412		
VWOS2148	1376	1455		
VWOS2448	1415	1496		
VWOS2748	1482	1567		
VWOS3048	1547	1635		
VWOS3348	1629	1722		
VWOS3648	1712	1810		
VWOS1851	1374	1453		
VWOS2151	1425	1506		
VWOS2451	1476	1560		
VWOS2751	1546	1634		
VWOS3051	1616	1708		
VWOS3351	1703	1800		
VWOS3651	1789	1891		
VWOS1854	1412	1493		
VWOS2154	1473	1557		
VWOS2454	1536	1624		
VWOS2754	1610	1702		
VWOS3054	1685	1781		
VWOS3354	1776	1877		
VWOS3654	1866	1973		
VWOS1857	1449	1532		
VWOS2157	1523	1610		
VWOS2457	1598	1689		
VWOS2757	1676	1772		
VWOS3057	1754	1854		
VWOS3357	1849	1955		
VWOS3657	1944	2055		
VWOS1860	1488	1573		
VWOS2160	1573	1663		
VWOS2460	1658	1753		
VWOS2760	1741	1840		
VWOS3060	1824	1928		
VWOS3360	1925	2035		
VWOS3660	2024	2140		
VWOS1863	1526	1613		
VWOS2163	1623	1716		
VWOS2463	1719	1817		
VWOS2763	1807	1910		
VWOS3063	1895	2003		
VWOS3363	2001	2115		
VWOS3663	2104	2224		
VWOS1866	1565	1654		
VWOS2166	1672	1768		
VWOS2466	1779	1881		
VWOS2766	1872	1979		
VWOS3066	1966	2078		
VWOS3366	2077	2196		
VWOS3666	2184	2309		
<b>15" Deep</b>				
VWOS1848-15	1444	1527		
VWOS2148-15	1484	1569		
VWOS2448-15	1522	1609		
VWOS2748-15	1589	1680		
VWOS3048-15	1655	1750		
VWOS3348-15	1736	1835		
VWOS3648-15	1818	1922		
VWOS1851-15	1482	1567		
VWOS2151-15	1533	1621		
VWOS2451-15	1583	1672		
VWOS2751-15	1654	1747		
VWOS3051-15	1724	1824		
VWOS3351-15	1810	1913		
VWOS3651-15	1895	2003		
VWOS1854-15	1520	1607		
VWOS2154-15	1581	1671		
VWOS2454-15	1643	1737		
VWOS2754-15	1719	1817		
VWOS3054-15	1793	1895		
VWOS3354-15	1884	1992		
VWOS3654-15	1972	2085		
VWOS1857-15	1556	1645		
VWOS2157-15	1631	1724		
VWOS2457-15	1705	1802		
VWOS2757-15	1784	1886		
VWOS3057-15	1863	1969		
VWOS3357-15	1959	2071		
VWOS3657-15	2053	2170		
VWOS1860-15	1596	1687		
VWOS2160-15	1681	1777		
VWOS2460-15	1766	1867		
VWOS2760-15	1849	1955		
VWOS3060-15	1932	2042		
VWOS3360-15	2031	2147		
VWOS3660-15	2132	2254		
VWOS1863-15	1635	1728		
VWOS2163-15	1731	1830		
VWOS2463-15	1828	1932		
VWOS2763-15	1914	2023		
VWOS3063-15	2000	2114		
VWOS3363-15	2104	2224		
VWOS3663-15	2211	2337		
VWOS1866-15	1675	1771		
VWOS2166-15	1782	1884		
VWOS2466-15	1889	1997		
VWOS2766-15	1978	2091		
VWOS3066-15	2069	2187		
VWOS3366-15	2177	2301		
VWOS3666-15	2290	2421		

# Wall Cabinets : Open Shelf Cabinets



- Finished Interior and Finished Ends standard
- 48", 51" and 54" high have one fixed shelf 18" from the bottom and three additional adjustable shelves
- 57", 60" and 63" high have one fixed shelf 18" from the bottom and four additional adjustable shelves
- 66" high has one fixed shelf 18" from the bottom and five additional adjustable shelves
- 3/4"-thick shelves standard; profiled outside edge is optional
- Adjustable shelves are not flush with the front of the cabinet; see page 1.7
- Shipped with a protective panel on bottom
- **CAUTION:** Adjustable shelves require additional support for heavy loads
- VF Frame option not available on cabinets less than 30" wide
- Due to varying countertop heights, it is recommended that you modify the cabinet height for perfect alignment. Height = Tall Cabinet Height minus Base Cabinet Height minus Countertop Height
- Wood Premium available in Walnut

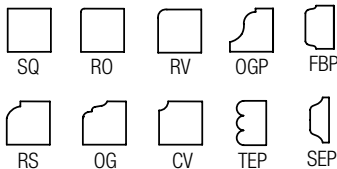
## HOW TO ORDER

### 1. Choose a Frame

- Outside edge of solid wood frame will match door profile
- Bamboo is only available with Standard frame
- Standard: 1 1/2" wide stiles and rails
- 3E: 3" wide stiles with 1 1/2" wide rails
- 3FE: 3" wide fluted stiles with 1 1/2" wide rails
- VE: top valance with 2" wide stiles and 1 1/2" wide rails; add 10%

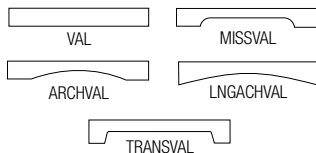
### 2. Upgrade to optional applied shelf edging; add 20%

- Shelf edging not available in Bamboo
- TEP not available in Red Birch or Alder
- OGP, FBP, TEP, SEP not available in Walnut



### 3. Choose a valance style, if applicable

- 6" high, except VAL = 4 1/4" high
- Radius cannot be modified
- Feet are a fixed dimension; cannot be modified
- Available in Oak, Maple, Cherry, Red Birch and Alder; not available in Bamboo
- Minimum width for valances is 24"; except VAL minimum width is 18"

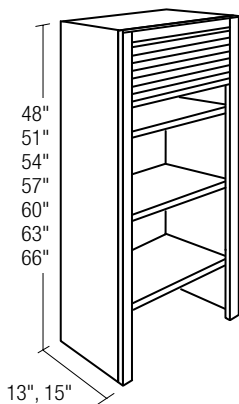


## Wall Open Shelf with Frame

	Wood	Wood Premium		Wood	Wood Premium
<b>13" Deep</b>			<b>15" Deep</b>		
VFWOS1848	1596	1687	VFWOS1848-15	1703	1800
VFWOS2148	1640	1734	VFWOS2148-15	1747	1847
VFWOS2448	1683	1779	VFWOS2448-15	1790	1892
VFWOS2748	1756	1856	VFWOS2748-15	1862	1968
VFWOS3048	1828	1932	VFWOS3048-15	1935	2046
VFWOS3348	1914	2023	VFWOS3348-15	2021	2136
VFWOS3648	2000	2114	VFWOS3648-15	2108	2228
VFWOS1851	1638	1731	VFWOS1851-15	1746	1846
VFWOS2151	1695	1792	VFWOS2151-15	1803	1906
VFWOS2451	1750	1850	VFWOS2451-15	1858	1964
VFWOS2751	1827	1931	VFWOS2751-15	1934	2044
VFWOS3051	1903	2012	VFWOS3051-15	2010	2125
VFWOS3351	1994	2108	VFWOS3351-15	2101	2221
VFWOS3651	2084	2203	VFWOS3651-15	2192	2317
VFWOS1854	1776	1776	VFWOS1854-15	1788	1890
VFWOS2154	1849	1849	VFWOS2154-15	1858	1964
VFWOS2454	1921	1921	VFWOS2454-15	1926	2036
VFWOS2754	2005	2005	VFWOS2754-15	2005	2120
VFWOS3054	2090	2090	VFWOS3054-15	2085	2204
VFWOS3354	2193	2193	VFWOS3354-15	2181	2306
VFWOS3654	2292	2292	VFWOS3654-15	2276	2406
VFWOS1857	1722	1820	VFWOS1857-15	1831	1936
VFWOS2157	1803	1906	VFWOS2157-15	1911	2020
VFWOS2457	1884	1992	VFWOS2457-15	1991	2105
VFWOS2757	1968	2080	VFWOS2757-15	2076	2195
VFWOS3057	2053	2170	VFWOS3057-15	2160	2283
VFWOS3357	2154	2277	VFWOS3357-15	2261	2390
VFWOS3657	2254	2383	VFWOS3657-15	2361	2496
VFWOS1860	1765	1866	VFWOS1860-15	1872	1979
VFWOS2160	1858	1964	VFWOS2160-15	1965	2077
VFWOS2460	1950	2061	VFWOS2460-15	2057	2175
VFWOS2760	2040	2157	VFWOS2760-15	2147	2270
VFWOS3060	2129	2251	VFWOS3060-15	2236	2364
VFWOS3360	2234	2362	VFWOS3360-15	2342	2476
VFWOS3660	2341	2475	VFWOS3660-15	2446	2586
VFWOS1863	1809	1912	VFWOS1863-15	1914	2023
VFWOS2163	1913	2022	VFWOS2163-15	2019	2134
VFWOS2463	2017	2132	VFWOS2463-15	2124	2245
VFWOS2763	2111	2232	VFWOS2763-15	2217	2344
VFWOS3063	2205	2331	VFWOS3063-15	2312	2444
VFWOS3363	2314	2446	VFWOS3363-15	2423	2561
VFWOS3663	2428	2567	VFWOS3663-15	2531	2676
VFWOS1866	1853	1959	VFWOS1866-15	1955	2067
VFWOS2166	1968	2080	VFWOS2166-15	2073	2191
VFWOS2466	2083	2202	VFWOS2466-15	2190	2315
VFWOS2766	2182	2307	VFWOS2766-15	2289	2420
VFWOS3066	2281	2411	VFWOS3066-15	2388	2524
VFWOS3366	2394	2531	VFWOS3366-15	2504	2647
VFWOS3666	2515	2659	VFWOS3666-15	2616	2765

# Wall Cabinets : Cabinets with Metal Tambour

**NEW!**



- Finished Ends standard
- Width modification not available
- Reduced depth modification not available
- 48", 51" and 54" high have one fixed shelf 18" from the bottom and two adjustable shelves
- 57", 60" and 63" high have one fixed shelf 18" from the bottom and three adjustable shelves
- 66" high has one fixed shelf 18" from the bottom and four adjustable shelves
- Shipped with a protective panel on bottom
- CAUTION: Adjustable shelves require additional support for heavy loads
- Due to varying countertop heights, it is recommended that you modify the cabinet height for perfect alignment. Height = Tall Cabinet Height minus Base Cabinet Height minus Countertop Height

## Wall Open Shelf with Aluminum Tambour

	Melamine	Eurotek	Textured Melamine	Standard Thermofoil	Premium Thermofoil	Wood	Wood Premium	Metal	UltraLux
--	----------	---------	-------------------	---------------------	--------------------	------	--------------	-------	----------

### 13" Deep

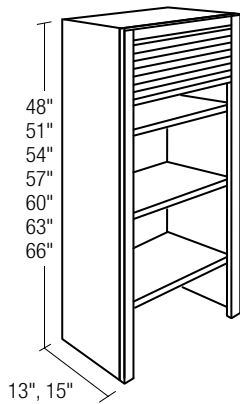
WHTAM2448	1703	1703	1833	1833	2794	2470	2551	2794	2794
WHTAM2451	1719	1719	1852	1852	2827	2531	2615	2827	2827
WHTAM2454	1735	1735	1871	1871	2860	2591	2679	2860	2860
WHTAM2457	1749	1749	1888	1888	2893	2653	2744	2893	2893
WHTAM2460	1765	1765	1907	1907	2927	2713	2808	2927	2927
WHTAM2463	1780	1780	1925	1925	2962	2774	2872	2962	2962
WHTAM2466	1796	1796	1944	1944	2996	2834	2936	2996	2996
WHTAM3048	1818	1818	1971	1971	2927	2602	2690	2927	2927
WHTAM3051	1832	1832	1988	1988	2968	2671	2763	2968	2968
WHTAM3054	1846	1846	2004	2004	3008	2740	2836	3008	3008
WHTAM3057	1858	1858	2019	2019	3052	2809	2909	3052	3052
WHTAM3060	1873	1873	2037	2037	3095	2879	2983	3095	3095
WHTAM3063	1887	1887	2053	2053	3137	2950	3058	3137	3137
WHTAM3066	1902	1902	2071	2071	3180	3021	3133	3180	3180
WHTAM3648	1896	1896	2064	2064	3111	2767	2865	3111	3111
WHTAM3651	1916	1916	2088	2088	3149	2844	2946	3149	3149
WHTAM3654	1936	1936	2112	2112	3186	2921	3028	3186	3186
WHTAM3657	1956	1956	2136	2136	3222	2999	3110	3222	3222
WHTAM3660	1975	1975	2159	2159	3262	3079	3195	3262	3262
WHTAM3663	1993	1993	2181	2181	3301	3159	3279	3301	3301
WHTAM3666	2012	2012	2203	2203	3341	3239	3364	3341	3341

### 15" Deep

WHTAM2448-15	1811	1811	1962	1962	2956	2577	2664	2956	2956
WHTAM2451-15	1825	1825	1979	1979	2989	2638	2727	2989	2989
WHTAM2454-15	1839	1839	1996	1996	3021	2698	2792	3021	3021
WHTAM2457-15	1857	1857	2017	2017	3055	2760	2857	3055	3055
WHTAM2460-15	1873	1873	2037	2037	3087	2821	2922	3087	3087
WHTAM2463-15	1888	1888	2055	2055	3119	2883	2987	3119	3119
WHTAM2466-15	1904	1904	2074	2074	3152	2944	3052	3152	3152
WHTAM3048-15	1924	1924	2098	2098	3087	2710	2805	3087	3087
WHTAM3051-15	1938	1938	2115	2115	3128	2779	2879	3128	3128
WHTAM3054-15	1952	1952	2131	2131	3168	2848	2950	3168	3168
WHTAM3057-15	1967	1967	2149	2149	3213	2918	3024	3213	3213
WHTAM3060-15	1979	1979	2164	2164	3254	2987	3097	3254	3254
WHTAM3063-15	1990	1990	2177	2177	3294	3055	3169	3294	3294
WHTAM3066-15	2002	2002	2191	2191	3335	3124	3242	3335	3335
WHTAM3648-15	2004	2004	2194	2194	3272	2873	2977	3272	3272
WHTAM3651-15	2024	2024	2218	2218	3310	2950	3058	3310	3310
WHTAM3654-15	2043	2043	2241	2241	3347	3027	3140	3347	3347
WHTAM3657-15	2064	2064	2266	2266	3382	3108	3225	3382	3382
WHTAM3660-15	2083	2083	2289	2289	3423	3187	3309	3423	3423
WHTAM3663-15	2101	2101	2310	2310	3463	3266	3392	3463	3463
WHTAM3666-15	2120	2120	2333	2333	3504	3345	3476	3504	3504



# Wall Cabinets : Cabinets with Metal Tambour



- Finished Ends standard
- Width modification not available
- Reduced depth modification not available
- 48", 51" and 54" high have one fixed shelf 18" from the bottom and two adjustable shelves
- 57", 60" and 63" high have one fixed shelf 18" from the bottom and three adjustable shelves
- 66" high has one fixed shelf 18" from the bottom and four adjustable shelves
- Shipped with a protective panel on bottom
- CAUTION: Adjustable shelves require additional support for heavy loads
- Due to varying countertop heights, it is recommended that you modify the cabinet height for perfect alignment. Height = Tall Cabinet Height minus Base Cabinet Height minus Countertop Height

## Wall Open Shelf with Stainless Steel Tambour

	Melamine	Eurotek	Textured Melamine	Standard Thermofoil	Premium Thermofoil	Wood	Wood Premium	Metal	UltraLux
--	----------	---------	-------------------	---------------------	--------------------	------	--------------	-------	----------

### 13" Deep

WHTAM2448	2024	2024	2154	2154	3115	2791	2872	3115	3115
WHTAM2451	2040	2040	2173	2173	3148	2852	2936	3148	3148
WHTAM2454	2056	2056	2192	2192	3181	2912	3000	3181	3181
WHTAM2457	2070	2070	2209	2209	3214	2974	3065	3214	3214
WHTAM2460	2086	2086	2228	2228	3248	3034	3129	3248	3248
WHTAM2463	2101	2101	2246	2246	3283	3095	3193	3283	3283
WHTAM2466	2117	2117	2265	2265	3317	3155	3257	3317	3317
WHTAM3048	2139	2139	2292	2292	3248	2923	3011	3248	3248
WHTAM3051	2153	2153	2309	2309	3289	2992	3084	3289	3289
WHTAM3054	2167	2167	2325	2325	3329	3061	3157	3329	3329
WHTAM3057	2179	2179	2340	2340	3373	3130	3230	3373	3373
WHTAM3060	2194	2194	2358	2358	3416	3200	3304	3416	3416
WHTAM3063	2208	2208	2374	2374	3458	3271	3379	3458	3458
WHTAM3066	2223	2223	2392	2392	3501	3342	3454	3501	3501
WHTAM3648	2217	2217	2385	2385	3432	3088	3186	3432	3432
WHTAM3651	2237	2237	2409	2409	3470	3165	3267	3470	3470
WHTAM3654	2257	2257	2433	2433	3507	3242	3349	3507	3507
WHTAM3657	2277	2277	2457	2457	3543	3320	3431	3543	3543
WHTAM3660	2296	2296	2480	2480	3583	3400	3516	3583	3583
WHTAM3663	2314	2314	2502	2502	3622	3480	3600	3622	3622
WHTAM3666	2333	2333	2524	2524	3662	3560	3685	3662	3662

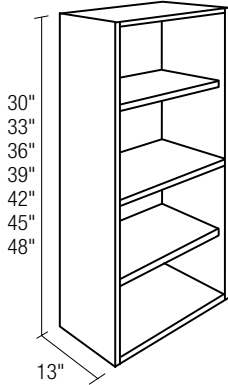
### 15" Deep

WHTAM2448-15	2132	2132	2283	2283	3277	2898	2985	3277	3277
WHTAM2451-15	2146	2146	2300	2300	3310	2959	3048	3310	3310
WHTAM2454-15	2160	2160	2317	2317	3342	3019	3113	3342	3342
WHTAM2457-15	2178	2178	2338	2338	3376	3081	3178	3376	3376
WHTAM2460-15	2194	2194	2358	2358	3408	3142	3243	3408	3408
WHTAM2463-15	2209	2209	2376	2376	3440	3204	3308	3440	3440
WHTAM2466-15	2225	2225	2395	2395	3473	3265	3373	3473	3473
WHTAM3048-15	2245	2245	2419	2419	3408	3031	3126	3408	3408
WHTAM3051-15	2259	2259	2436	2436	3449	3100	3200	3449	3449
WHTAM3054-15	2273	2273	2452	2452	3489	3169	3271	3489	3489
WHTAM3057-15	2288	2288	2470	2470	3534	3239	3345	3534	3534
WHTAM3060-15	2300	2300	2485	2485	3575	3308	3418	3575	3575
WHTAM3063-15	2311	2311	2498	2498	3615	3376	3490	3615	3615
WHTAM3066-15	2323	2323	2512	2512	3656	3445	3563	3656	3656
WHTAM3648-15	2325	2325	2515	2515	3593	3194	3298	3593	3593
WHTAM3651-15	2345	2345	2539	2539	3631	3271	3379	3631	3631
WHTAM3654-15	2364	2364	2562	2562	3668	3348	3461	3668	3668
WHTAM3657-15	2385	2385	2587	2587	3703	3429	3546	3703	3703
WHTAM3660-15	2404	2404	2610	2610	3744	3508	3630	3744	3744
WHTAM3663-15	2422	2422	2631	2631	3784	3587	3713	3784	3784
WHTAM3666-15	2441	2441	2654	2654	3825	3666	3797	3825	3825

# Wall Cabinets : Bookcases

FOR ALL BOOKCASES

- Finished Interior and Finished Ends standard
- 30", 33" and 36" high have two adjustable shelves
- 39" high has three adjustable shelves
- 42", 45", 48", 51", 54" and 57" high have a centered fixed shelf and two additional adjustable shelves
- 60", 63" and 66" high have a centered fixed shelf and four additional adjustable shelves
- Adjustable shelves are not flush with the front of the cabinet; see page 1.7
- **CAUTION:** Adjustable shelves require additional support for heavy loads



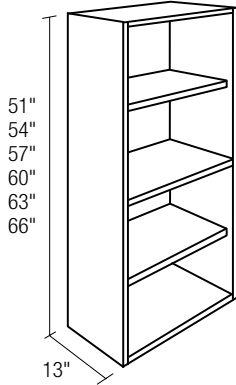
## Bookcase 30"-48" high

	Melamine	Eurotek	Textured Melamine	Standard Thermofoil	Premium Thermofoil	Wood	Wood Premium	Metal	UltraLux
<b>13" Deep</b>									
BK1830	419	419	503	503	1434			1434	1434
BK2130	438	438	526	526	1463			1463	1463
BK2430	458	458	550	550	1491			1491	1491
BK2730	494	494	593	593	1534			1534	1534
BK3030	530	530	636	636	1575			1575	1575
BK3330	566	566	679	679	1617			1617	1617
BK3630	602	602	722	722	1659			1659	1659
BK1833	461	461	553	553	1471			1471	1471
BK2133	479	479	575	575	1500			1500	1500
BK2433	498	498	598	598	1529			1529	1529
BK2733	534	534	641	641	1570			1570	1570
BK3033	569	569	683	683	1610			1610	1610
BK3333	605	605	726	726	1651			1651	1651
BK3633	641	641	769	769	1691			1691	1691
BK1836	504	504	605	605	1508			1508	1508
BK2136	521	521	625	625	1538			1538	1538
BK2436	538	538	646	646	1568			1568	1568
BK2736	574	574	689	689	1606			1606	1606
BK3036	609	609	731	731	1646			1646	1646
BK3336	644	644	773	773	1685			1685	1685
BK3636	680	680	816	816	1724			1724	1724
BK1839	537	537	644	644	1549			1549	1549
BK2139	555	555	666	666	1579			1579	1579
BK2439	574	574	689	689	1608			1608	1608
BK2739	608	608	730	730	1650			1650	1650
BK3039	643	643	772	772	1693			1693	1693
BK3339	678	678	814	814	1735			1735	1735
BK3639	713	713	856	856	1777			1777	1777
BK1842	571	571	685	685	1588			1588	1588
BK2142	590	590	708	708	1619			1619	1619
BK2442	609	609	731	731	1649			1649	1649
BK2742	643	643	772	772	1694			1694	1694
BK3042	677	677	812	812	1739			1739	1739
BK3342	712	712	854	854	1785			1785	1785
BK3642	746	746	895	895	1830			1830	1830
BK1845	570	570	684	684	1617			1617	1617
BK2145	600	600	720	720	1655			1655	1655
BK2445	629	629	755	755	1694			1694	1694
BK2745	674	674	809	809	1750			1750	1750
BK3045	720	720	864	864	1806			1806	1806
BK3345	766	766	919	919	1862			1862	1862
BK3645	811	811	973	973	1918			1918	1918
BK1848	591	591	709	709	1646			1646	1646
BK2148	620	620	744	744	1693			1693	1693
BK2448	648	648	778	778	1739			1739	1739
BK2748	705	705	846	846	1806			1806	1806
BK3048	763	763	916	916	1872			1872	1872
BK3348	802	802	962	962	1964			1964	1964
BK3648	841	841	1009	1009	2056			2056	2056

# Wall Cabinets : Bookcases

FOR ALL BOOKCASES

- Finished Interior and Finished Ends standard
- 30", 33" and 36" high have two adjustable shelves
- 39" high has three adjustable shelves
- 42", 45", 48", 51", 54" and 57" high have a centered fixed shelf and two additional adjustable shelves
- 60", 63" and 66" high have a centered fixed shelf and four additional adjustable shelves
- Adjustable shelves are not flush with the front of the cabinet; see page 1.7
- **CAUTION:** Adjustable shelves require additional support for heavy loads



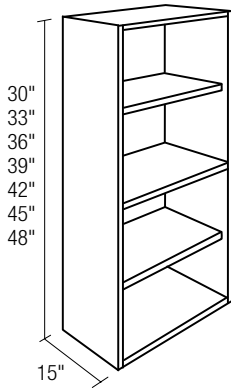
## Bookcase 51"-66" high

	Melamine	Eurotek	Textured Melamine	Standard Thermofoil	Premium Thermofoil	Wood	Wood Premium	Metal	UltraLux
<b>13" Deep</b>									
BK1851	612	612	735	735	1675			1675	1675
BK2151	640	640	768	768	1730			1730	1730
BK2451	668	668	802	802	1785			1785	1785
BK2751	737	737	884	884	1862			1862	1862
BK3051	806	806	967	967	1939			1939	1939
BK3351	838	838	1005	1005	2067			2067	2067
BK3651	870	870	1044	1044	2195			2195	2195
BK1854	633	633	760	760	1704			1704	1704
BK2154	660	660	792	792	1767			1767	1767
BK2454	688	688	826	826	1831			1831	1831
BK2754	768	768	922	922	1918			1918	1918
BK3054	848	848	1018	1018	2005			2005	2005
BK3354	873	873	1048	1048	2169			2169	2169
BK3654	899	899	1079	1079	2333			2333	2333
BK1857	654	654	785	785	1733			1733	1733
BK2157	681	681	817	817	1805			1805	1805
BK2457	708	708	850	850	1876			1876	1876
BK2757	799	799	959	959	1974			1974	1974
BK3057	890	890	1068	1068	2072			2072	2072
BK3357	909	909	1091	1091	2271			2271	2271
BK3657	928	928	1114	1114	2471			2471	2471
BK1860	674	674	809	809	1739			1739	1739
BK2160	701	701	841	841	1842			1842	1842
BK2460	727	727	872	872	1872			1872	1872
BK2760	830	830	996	996	2030			2030	2030
BK3060	933	933	1120	1120	2040			2040	2040
BK3360	945	945	1134	1134	2373			2373	2373
BK3660	957	957	1148	1148	2207			2207	2207
BK1863	695	695	834	834	1746			1746	1746
BK2163	721	721	865	865	1880			1880	1880
BK2463	747	747	896	896	1868			1868	1868
BK2763	861	861	1033	1033	2086			2086	2086
BK3063	976	976	1171	1171	2007			2007	2007
BK3363	981	981	1177	1177	2476			2476	2476
BK3663	986	986	1183	1183	1943			1943	1943
BK1866	716	716	859	859	1752			1752	1752
BK2166	741	741	889	889	1917			1917	1917
BK2466	767	767	920	920	1864			1864	1864
BK2766	893	893	1072	1072	2142			2142	2142
BK3066	1018	1018	1222	1222	1975			1975	1975
BK3366	1017	1017	1220	1220	2579			2579	2579
BK3666	1015	1015	1218	1218	1679			1679	1679

# Wall Cabinets : Bookcases

**FOR ALL BOOKCASES**

- Finished Interior and Finished Ends standard
- 30", 33" and 36" high have two adjustable shelves
- 39" high has three adjustable shelves
- 42", 45", 48", 51", 54" and 57" high have a centered fixed shelf and two additional adjustable shelves
- 60", 63" and 66" high have a centered fixed shelf and four additional adjustable shelves
- Adjustable shelves are not flush with the front of the cabinet; see page 1.7
- **CAUTION:** Adjustable shelves require additional support for heavy loads



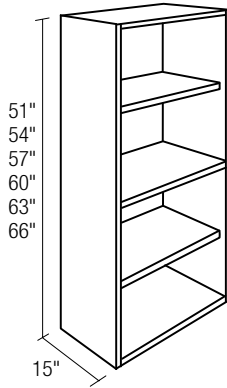
## Bookcase 30"-48" high

	Melamine	Eurotek	Textured Melamine	Standard Thermofoil	Premium Thermofoil	Wood	Wood Premium	Metal	UltraLux
<b>15" Deep</b>									
BK1830-15	528	528	634	634	1596			1596	1596
BK2130-15	547	547	656	656	1625			1625	1625
BK2430-15	565	565	678	678	1654			1654	1654
BK2730-15	601	601	721	721	1695			1695	1695
BK3030-15	636	636	763	763	1735			1735	1735
BK3330-15	671	671	805	805	1776			1776	1776
BK3630-15	707	707	848	848	1816			1816	1816
BK1833-15	570	570	684	684	1631			1631	1631
BK2133-15	588	588	706	706	1662			1662	1662
BK2433-15	606	606	727	727	1693			1693	1693
BK2733-15	636	636	763	763	1728			1728	1728
BK3033-15	667	667	800	800	1763			1763	1763
BK3333-15	698	698	838	838	1799			1799	1799
BK3633-15	728	728	874	874	1834			1834	1834
BK1836-15	612	612	734	734	1668			1668	1668
BK2136-15	629	629	755	755	1700			1700	1700
BK2436-15	646	646	775	775	1731			1731	1731
BK2736-15	682	682	818	818	1769			1769	1769
BK3036-15	718	718	862	862	1808			1808	1808
BK3336-15	754	754	905	905	1846			1846	1846
BK3636-15	790	790	948	948	1885			1885	1885
BK1839-15	645	645	774	774	1710			1710	1710
BK2139-15	663	663	796	796	1739			1739	1739
BK2439-15	682	682	818	818	1769			1769	1769
BK2739-15	716	716	859	859	1812			1812	1812
BK3039-15	750	750	900	900	1855			1855	1855
BK3339-15	784	784	941	941	1897			1897	1897
BK3639-15	819	819	983	983	1940			1940	1940
BK1842-15	680	680	816	816	1751			1751	1751
BK2142-15	699	699	839	839	1781			1781	1781
BK2442-15	718	718	862	862	1810			1810	1810
BK2742-15	751	751	901	901	1856			1856	1856
BK3042-15	783	783	940	940	1901			1901	1901
BK3342-15	816	816	979	979	1947			1947	1947
BK3642-15	849	849	1019	1019	1993			1993	1993
BK1845-15	678	678	814	814	1780			1780	1780
BK2145-15	708	708	850	850	1818			1818	1818
BK2445-15	738	738	886	886	1856			1856	1856
BK2745-15	782	782	938	938	1912			1912	1912
BK3045-15	826	826	991	991	1967			1967	1967
BK3345-15	870	870	1044	1044	2022			2022	2022
BK3645-15	914	914	1097	1097	2078			2078	2078
BK1848-15	688	688	826	826	1808			1808	1808
BK2148-15	722	722	866	866	1855			1855	1855
BK2448-15	756	756	907	907	1901			1901	1901
BK2748-15	812	812	974	974	1967			1967	1967
BK3048-15	869	869	1043	1043	2032			2032	2032
BK3348-15	909	909	1091	1091	2125			2125	2125
BK3648-15	949	949	1139	1139	2217			2217	2217

# Wall Cabinets : Bookcases

## FOR ALL BOOKCASES

- Finished Interior and Finished Ends standard
- 30", 33" and 36" high have two adjustable shelves
- 39" high has three adjustable shelves
- 42", 45", 48", 51", 54" and 57" high have a centered fixed shelf and two additional adjustable shelves
- 60", 63" and 66" high have a centered fixed shelf and four additional adjustable shelves
- Adjustable shelves are not flush with the front of the cabinet; see page 1.7
- **CAUTION:** Adjustable shelves require additional support for heavy loads



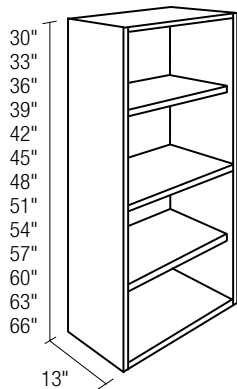
## Bookcase 51"-66" high

	Melamine	Eurotek	Textured Melamine	Standard Thermofoil	Premium Thermofoil	Wood	Wood Premium	Metal	UltraLux
<b>15" Deep</b>									
BK1851-15	698	698	837	837	1836			1836	1836
BK2151-15	736	736	883	883	1892			1892	1892
BK2451-15	775	775	930	930	1947			1947	1947
BK2751-15	843	843	1012	1012	2023			2023	2023
BK3051-15	912	912	1094	1094	2098			2098	2098
BK3351-15	947	947	1137	1137	2227			2227	2227
BK3651-15	983	983	1180	1180	2357			2357	2357
BK1854-15	707	707	848	848	1864			1864	1864
BK2154-15	750	750	900	900	1928			1928	1928
BK2454-15	794	794	953	953	1993			1993	1993
BK2754-15	874	874	1049	1049	2078			2078	2078
BK3054-15	954	954	1145	1145	2163			2163	2163
BK3354-15	985	985	1182	1182	2329			2329	2329
BK3654-15	1017	1017	1220	1220	2496			2496	2496
BK1857-15	716	716	859	859	1892			1892	1892
BK2157-15	764	764	917	917	1966			1966	1966
BK2457-15	812	812	974	974	2039			2039	2039
BK2757-15	904	904	1085	1085	2134			2134	2134
BK3057-15	996	996	1195	1195	2229			2229	2229
BK3357-15	1024	1024	1229	1229	2431			2431	2431
BK3657-15	1051	1051	1261	1261	2635			2635	2635
BK1860-15	725	725	870	870	1901			1901	1901
BK2160-15	778	778	934	934	1967			1967	1967
BK2460-15	831	831	997	997	2032			2032	2032
BK2760-15	935	935	1122	1122	2115			2115	2115
BK3060-15	1039	1039	1247	1247	2199			2199	2199
BK3360-15	1062	1062	1274	1274	2284			2284	2284
BK3660-15	1086	1086	1303	1303	2368			2368	2368
BK1863-15	735	735	882	882	1911			1911	1911
BK2163-15	792	792	950	950	1968			1968	1968
BK2463-15	850	850	1020	1020	2026			2026	2026
BK2763-15	966	966	1159	1159	2097			2097	2097
BK3063-15	1082	1082	1298	1298	2168			2168	2168
BK3363-15	1101	1101	1321	1321	2134			2134	2134
BK3663-15	1120	1120	1344	1344	2101			2101	2101
BK1866-15	744	744	893	893	1920			1920	1920
BK2166-15	806	806	967	967	1970			1970	1970
BK2466-15	869	869	1043	1043	2020			2020	2020
BK2766-15	996	996	1195	1195	2079			2079	2079
BK3066-15	1124	1124	1349	1349	2138			2138	2138
BK3366-15	1139	1139	1367	1367	1987			1987	1987
BK3666-15	1154	1154	1385	1385	1834			1834	1834

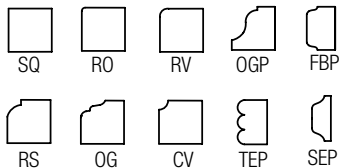
# Wall Cabinets : Bookcases

## FOR ALL BOOKCASES

- Finished Interior and Finished Ends standard
- 30", 33" and 36" high have two adjustable shelves
- 39" high has three adjustable shelves
- 42", 45", 48", 51", 54" and 57" high have a centered fixed shelf and two additional adjustable shelves
- 60", 63" and 66" high have a centered fixed shelf and four additional adjustable shelves
- Adjustable shelves are not flush with the front of the cabinet; see page 1.7
- **CAUTION:** Adjustable shelves require additional support for heavy loads



- 3/4"-thick shelves standard
- Wood Premium available in Walnut
- Upgrade to optional applied shelf edging; **add 20%**



- Shelf edging not available in Deluxe Veneers
- TEP not available in Red Birch or Alder
- OGP, FBP, TEP, SEP not available in Walnut

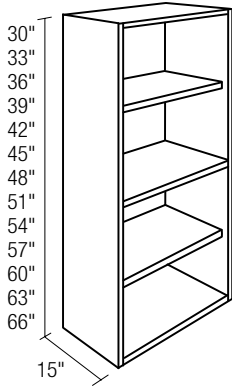
## Bookcase 30"-66" high

	Wood	Wood Premium		Wood	Wood Premium
<b>13" Deep</b>			<b>13" Deep - continued</b>		
VBK1830	1103	1166	VBK1851	1350	1427
VBK2130	1128	1192	VBK2151	1398	1477
VBK2430	1153	1219	VBK2451	1445	1528
VBK2730	1182	1250	VBK2751	1530	1617
VBK3030	1210	1279	VBK3051	1613	1705
VBK3330	1238	1309	VBK3351	1729	1828
VBK3630	1268	1340	VBK3651	1846	1951
VBK1833	1158	1224	VBK1854	1363	1441
VBK2133	1184	1252	VBK2154	1419	1500
VBK2433	1209	1278	VBK2454	1475	1559
VBK2733	1237	1308	VBK2754	1577	1667
VBK3033	1266	1338	VBK3054	1678	1774
VBK3333	1294	1368	VBK3354	1829	1934
VBK3633	1322	1398	VBK3654	1980	2093
VBK1836	1215	1284	VBK1857	1377	1456
VBK2136	1241	1312	VBK2157	1441	1523
VBK2436	1267	1339	VBK2457	1506	1592
VBK2736	1295	1369	VBK2757	1625	1718
VBK3036	1322	1398	VBK3057	1743	1843
VBK3336	1349	1426	VBK3357	1928	2038
VBK3636	1377	1456	VBK3657	2114	2235
VBK1839	1260	1332	VBK1860	1390	1469
VBK2139	1285	1358	VBK2160	1463	1547
VBK2439	1310	1385	VBK2460	1536	1624
VBK2739	1338	1414	VBK2760	1673	1769
VBK3039	1367	1445	VBK3060	1809	1912
VBK3339	1396	1476	VBK3360	2028	2144
VBK3639	1424	1505	VBK3660	2248	2376
VBK1842	1308	1383	VBK1863	1404	1484
VBK2142	1332	1408	VBK2163	1485	1570
VBK2442	1355	1432	VBK2463	1566	1655
VBK2742	1385	1464	VBK2763	1721	1819
VBK3042	1415	1496	VBK3063	1874	1981
VBK3342	1445	1528	VBK3363	2128	2250
VBK3642	1475	1559	VBK3663	2382	2518
VBK1845	1323	1399	VBK1866	1417	1498
VBK2145	1354	1431	VBK2166	1507	1593
VBK2445	1385	1464	VBK2466	1596	1687
VBK2745	1434	1516	VBK2766	1768	1869
VBK3045	1482	1567	VBK3066	1940	2051
VBK3345	1529	1616	VBK3366	2228	2355
VBK3645	1578	1668	VBK3666	2516	2660
VBK1848	1336	1412			
VBK2148	1376	1455			
VBK2448	1415	1496			
VBK2748	1482	1567			
VBK3048	1547	1635			
VBK3348	1629	1722			
VBK3648	1712	1810			

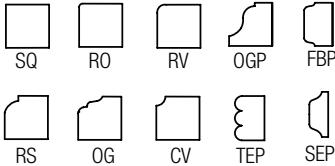
# Wall Cabinets : Bookcases

FOR ALL BOOKCASES

- Finished Interior and Finished Ends standard
- 30", 33" and 36" high have two adjustable shelves
- 39" high has three adjustable shelves
- 42", 45", 48", 51", 54" and 57" high have a centered fixed shelf and two additional adjustable shelves
- 60", 63" and 66" high have a centered fixed shelf and four additional adjustable shelves
- Adjustable shelves are not flush with the front of the cabinet; see page 1.7
- **CAUTION:** Adjustable shelves require additional support for heavy loads



- 3/4"-thick shelves standard
- Wood Premium available in Walnut
- Upgrade to optional applied shelf edging; add 20%

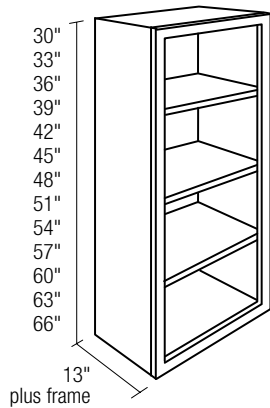


- Shelf edging not available in Deluxe Veneers
- TEP not available in Red Birch or Alder
- OGP, FBP, TEP, SEP not available in Walnut

## Bookcase 30"-66" high

	Wood	Wood Premium		Wood	Wood Premium
<b>15" Deep</b>			<b>15" Deep - continued</b>		
VBK1830-15	1210	1279	VBK1851-15	1458	1541
VBK2130-15	1235	1306	VBK2151-15	1506	1590
VBK2430-15	1260	1332	VBK2451-15	1552	1641
VBK2730-15	1289	1363	VBK2751-15	1637	1731
VBK3030-15	1318	1393	VBK3051-15	1722	1820
VBK3330-15	1348	1425	VBK3351-15	1837	1942
VBK3630-15	1377	1456	VBK3651-15	1951	2062
VBK1833-15	1266	1338	VBK1854-15	1471	1555
VBK2133-15	1290	1364	VBK2154-15	1527	1614
VBK2433-15	1316	1391	VBK2454-15	1582	1672
VBK2733-15	1344	1421	VBK2754-15	1685	1781
VBK3033-15	1374	1453	VBK3054-15	1788	1890
VBK3333-15	1431	1513	VBK3354-15	1937	2048
VBK3633-15	1488	1573	VBK3654-15	2084	2203
VBK1836-15	1322	1398	VBK1857-15	1485	1570
VBK2136-15	1348	1425	VBK2157-15	1548	1636
VBK2436-15	1374	1453	VBK2457-15	1613	1705
VBK2736-15	1402	1482	VBK2757-15	1733	1832
VBK3036-15	1430	1512	VBK3057-15	1855	1961
VBK3336-15	1458	1541	VBK3357-15	2036	2152
VBK3636-15	1486	1571	VBK3657-15	2217	2344
VBK1839-15	1367	1445	VBK1860-15	1498	1584
VBK2139-15	1392	1472	VBK2160-15	1571	1661
VBK2439-15	1418	1499	VBK2460-15	1643	1737
VBK2739-15	1446	1529	VBK2760-15	1782	1884
VBK3039-15	1475	1559	VBK3060-15	1921	2031
VBK3339-15	1504	1590	VBK3360-15	2136	2258
VBK3639-15	1533	1621	VBK3660-15	2350	2484
VBK1842-15	1416	1497	VBK1863-15	1512	1598
VBK2142-15	1439	1521	VBK2163-15	1592	1683
VBK2442-15	1462	1546	VBK2463-15	1673	1769
VBK2742-15	1492	1577	VBK2763-15	1831	1936
VBK3042-15	1522	1609	VBK3063-15	1988	2102
VBK3342-15	1552	1641	VBK3363-15	2236	2364
VBK3642-15	1582	1672	VBK3663-15	2483	2625
VBK1845-15	1431	1513	VBK1866-15	1525	1612
VBK2145-15	1461	1544	VBK2166-15	1615	1707
VBK2445-15	1492	1577	VBK2466-15	1703	1800
VBK2745-15	1540	1628	VBK2766-15	1879	1986
VBK3045-15	1589	1680	VBK3066-15	2054	2171
VBK3345-15	1637	1731	VBK3366-15	2336	2469
VBK3645-15	1685	1781	VBK3666-15	2616	2765
VBK1848-15	1444	1527			
VBK2148-15	1484	1569			
VBK2448-15	1522	1609			
VBK2748-15	1589	1680			
VBK3048-15	1655	1750			
VBK3348-15	1737	1836			
VBK3648-15	1818	1922			

# Wall Cabinets : Bookcases



- Finished Interior and Finished Ends standard
- 30", 33" and 36" high have two adjustable shelves; 39" high has three adjustable shelves; 42", 45" and 48" high have a centered fixed shelf and two additional adjustable shelves
- 3/4"-thick shelves standard; profiled outside edge is optional
- Adjustable shelves are not flush with the front of the cabinet; see page 1.7
- **CAUTION:** Adjustable shelves require additional support for heavy loads
- VF Frame option not available on cabinets less than 30" wide
- Wood Premium available in Walnut

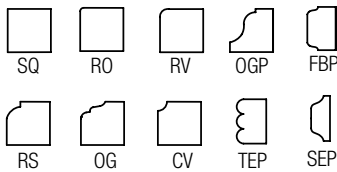
## HOW TO ORDER

### 1. Choose a Frame

- Outside edge of solid wood frame will match door profile
- Bamboo is only available with Standard frame
- Standard:** 1 1/2" wide stiles and rails
- 3E:** 3" wide stiles with 1 1/2" wide rails
- 3FE:** 3" wide fluted stiles with 1 1/2" wide rails
- VF:** top valance with 2" wide stiles and 1 1/2" wide rails; **add 10%**

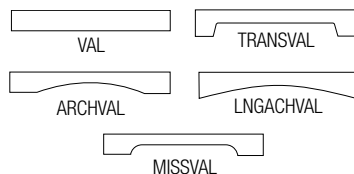
### 2. Upgrade to optional applied shelf edging; **add 20%**

- Shelf edging not available in Bamboo
- TEP not available in Red Birch or Alder
- OGP, FBP, TEP, SEP not available in Walnut



### 3. Choose a valance style, if applicable

- 6" high, except VAL = 4 1/4" high
- Radius cannot be modified
- Feet are a fixed dimension; cannot be modified
- Available in Oak, Maple, Cherry, Red Birch and Alder; not available in Bamboo
- Minimum width for valances is 24"; except VAL minimum width is 18"

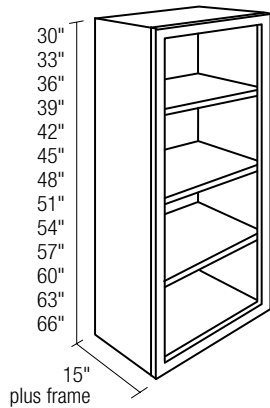


## Bookcase with Frame 30"-66" high

	Wood	Wood Premium		Wood	Wood Premium
<b>13" Deep</b>			<b>13" Deep - continued</b>		
VFBK1830	1366	1444	VFBK1851	1617	1709
VFBK2130	1378	1457	VFBK2151	1668	1763
VFBK2430	1389	1468	VFBK2451	1719	1817
VFBK2730	1424	1505	VFBK2751	1810	1913
VFBK3030	1460	1543	VFBK3051	1901	2009
VFBK3330	1495	1580	VFBK3351	2020	2135
VFBK3630	1530	1617	VFBK3651	2138	2260
VFBK1833	1409	1490	VFBK1854	1637	1731
VFBK2133	1430	1512	VFBK2154	1696	1793
VFBK2433	1450	1533	VFBK2454	1754	1854
VFBK2733	1485	1570	VFBK2754	1864	1971
VFBK3033	1519	1606	VFBK3054	1973	2086
VFBK3333	1553	1642	VFBK3354	2125	2246
VFBK3633	1588	1679	VFBK3654	2276	2406
VFBK1836	1451	1534	VFBK1857	1658	1753
VFBK2136	1482	1567	VFBK2157	1724	1823
VFBK2436	1513	1599	VFBK2457	1789	1891
VFBK2736	1546	1634	VFBK2757	1918	2028
VFBK3036	1579	1669	VFBK3057	2046	2163
VFBK3336	1613	1705	VFBK3357	2230	2357
VFBK3636	1646	1740	VFBK3657	2415	2553
VFBK1839	1503	1589	VFBK1860	1679	1775
VFBK2139	1534	1622	VFBK2160	1752	1852
VFBK2439	1563	1652	VFBK2460	1824	1928
VFBK2739	1598	1689	VFBK2760	1972	2085
VFBK3039	1632	1725	VFBK3060	2119	2240
VFBK3339	1667	1762	VFBK3360	2336	2469
VFBK3639	1702	1799	VFBK3660	2553	2699
VFBK1842	1555	1644	VFBK1863	1700	1797
VFBK2142	1583	1673	VFBK2163	1780	1882
VFBK2442	1613	1705	VFBK2463	1860	1966
VFBK2742	1648	1742	VFBK2763	2026	2142
VFBK3042	1683	1779	VFBK3063	2191	2316
VFBK3342	1719	1817	VFBK3363	2442	2582
VFBK3642	1754	1854	VFBK3663	2691	2845
VFBK1845	1575	1665	VFBK1866	1721	1819
VFBK2145	1611	1703	VFBK2166	1808	1911
VFBK2445	1648	1742	VFBK2466	1895	2003
VFBK2745	1702	1799	VFBK2766	2080	2199
VFBK3045	1755	1855	VFBK3066	2264	2393
VFBK3345	1808	1911	VFBK3366	2547	2693
VFBK3645	1862	1968	VFBK3666	2829	2991
VFBK1848	1596	1687			
VFBK2148	1640	1734			
VFBK2448	1683	1779			
VFBK2748	1756	1856			
VFBK3048	1828	1932			
VFBK3348	1914	2023			
VFBK3648	2000	2114			



# Wall Cabinets : Bookcases



- Finished Interior and Finished Ends standard
- 30", 33" and 36" high have two adjustable shelves; 39" high has three adjustable shelves; 42", 45" and 48" high have a centered fixed shelf and two additional adjustable shelves
- 3/4"-thick shelves standard; profiled outside edge is optional
- Adjustable shelves are not flush with the front of the cabinet; see page 1.7
- **CAUTION:** Adjustable shelves require additional support for heavy loads
- VF Frame option not available on cabinets less than 30" wide
- Wood Premium available in Walnut

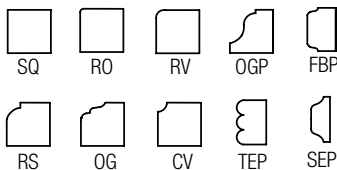
## HOW TO ORDER

### 1. Choose a Frame

- Outside edge of solid wood frame will match door profile
- Bamboo is only available with Standard frame
- Standard; 1 1/2" wide stiles and rails
- 3E; 3" wide stiles with 1 1/2" wide rails
- 3FE; 3" wide fluted stiles with 1 1/2" wide rails
- VE; top valance with 2" wide stiles and 1 1/2" wide rails; add 10%

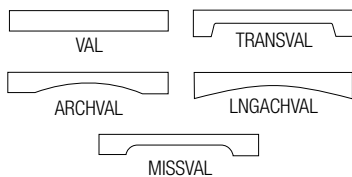
### 2. Upgrade to optional applied shelf edging; add 20%

- Shelf edging not available in Bamboo
- TEP not available in Red Birch or Alder
- OGP, FBP, TEP, SEP not available in Walnut



### 3. Choose a valance style, if applicable

- 6" high, except VAL = 4 1/4" high
- Radius cannot be modified
- Feet are a fixed dimension; cannot be modified
- Available in Oak, Maple, Cherry, Red Birch and Alder; not available in Bamboo
- Minimum width for valances is 24"; except VAL minimum width is 18"



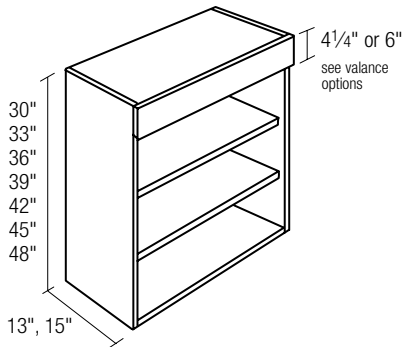
## Bookcase with Frame 30"-66" high

	Wood	Wood Premium		Wood	Wood Premium
<b>15" Deep</b>			<b>15" Deep - continued</b>		
VFBK1830-15	1435	1517	VFBK1851-15	1724	1823
VFBK2130-15	1465	1549	VFBK2151-15	1775	1876
VFBK2430-15	1495	1580	VFBK2451-15	1826	1930
VFBK2730-15	1531	1618	VFBK2751-15	1916	2025
VFBK3030-15	1567	1657	VFBK3051-15	2008	2122
VFBK3330-15	1602	1694	VFBK3351-15	2099	2219
VFBK3630-15	1639	1733	VFBK3651-15	2189	2314
VFBK1833-15	1497	1583	VFBK1854-15	1744	1844
VFBK2133-15	1527	1614	VFBK2154-15	1803	1906
VFBK2433-15	1557	1646	VFBK2454-15	1861	1967
VFBK2733-15	1592	1683	VFBK2754-15	1970	2083
VFBK3033-15	1626	1719	VFBK3054-15	2080	2199
VFBK3333-15	1660	1755	VFBK3354-15	2190	2315
VFBK3633-15	1695	1792	VFBK3654-15	2299	2430
VFBK1836-15	1558	1647	VFBK1857-15	1765	1866
VFBK2136-15	1590	1681	VFBK2157-15	1831	1936
VFBK2436-15	1620	1713	VFBK2457-15	1896	2004
VFBK2736-15	1653	1747	VFBK2757-15	2024	2140
VFBK3036-15	1686	1782	VFBK3057-15	2153	2276
VFBK3336-15	1720	1818	VFBK3357-15	2282	2412
VFBK3636-15	1753	1853	VFBK3657-15	2409	2547
VFBK1839-15	1610	1702	VFBK1860-15	1786	1888
VFBK2139-15	1468	1552	VFBK2160-15	1859	1965
VFBK2439-15	1326	1402	VFBK2460-15	1932	2042
VFBK2739-15	1183	1251	VFBK2760-15	2078	2197
VFBK3039-15	1739	1838	VFBK3060-15	2226	2353
VFBK3339-15	2295	2426	VFBK3360-15	2373	2509
VFBK3639-15	2851	3014	VFBK3660-15	2520	2664
VFBK1842-15	1661	1756	VFBK1863-15	1807	1910
VFBK2142-15	1690	1787	VFBK2163-15	1887	1995
VFBK2442-15	1720	1818	VFBK2463-15	1967	2079
VFBK2742-15	1755	1855	VFBK2763-15	2132	2254
VFBK3042-15	1790	1892	VFBK3063-15	2298	2429
VFBK3342-15	1826	1930	VFBK3363-15	2465	2606
VFBK3642-15	1861	1967	VFBK3663-15	2630	2780
VFBK1845-15	1682	1778	VFBK1866-15	1828	1932
VFBK2145-15	1719	1817	VFBK2166-15	1915	2024
VFBK2445-15	1755	1855	VFBK2466-15	2002	2116
VFBK2745-15	1808	1911	VFBK2766-15	2186	2311
VFBK3045-15	1862	1968	VFBK3066-15	2371	2506
VFBK3345-15	1916	2025	VFBK3366-15	2556	2702
VFBK3645-15	1969	2082	VFBK3666-15	2740	2897
VFBK1848-15	1703	1800			
VFBK2148-15	1747	1847			
VFBK2448-15	1790	1892			
VFBK2748-15	1862	1968			
VFBK3048-15	1935	2046			
VFBK3348-15	2007	2122			
VFBK3648-15	2079	2198			

# Wall Cabinets : Decorative Open Cabinets

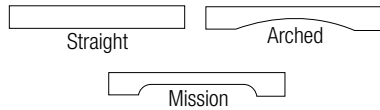
FOR ALL WALL DECORATIVE OPEN SHELF CABINETS

- Finished Interior standard
- Pricing includes Valance; see pages 16.15-16.16 for Valance details



- 30", 33" and 36" high have two adjustable shelves; 39", 42" and 45" high have three adjustable shelves; 48" high has four adjustable shelves
- Adjustable shelves are not flush with the front of the cabinet; see page 1.7
- Available with Straight, Arched, and Mission Valance options

## Valance Options (factory installed)



Valance	Height	SKU	List Price
Straight	4 1/4"	VAL	No Charge
Arched	6"	ARCHVAL	No Charge
Mission	6"	MISSVAL	No Charge

## Decorative Open Wall Shelf

	Melamine	Eurotek Melamine	Textured Thermofoil	Standard Thermofoil	Premium Thermofoil	Wood	Wood Premium	Metal	UltraLux
<b>13" Deep</b>									
DWS2430				1381	2373			2373	2373
DWS3030				1456	2512			2512	2512
DWS3630				1530	2652			2652	2652
DWS2433				1436	2472			2472	2472
DWS3033				1489	2569			2569	2569
DWS3633				1541	2667			2667	2667
DWS2436				1493	2572			2572	2572
DWS3036				1522	2628			2628	2628
DWS3636				1551	2684			2684	2684
DWS3039				1602	2760			2760	2760
DWS3639				1634	2818			2818	2818
DWS3042				1582	2738			2738	2738
DWS3642				1666	2875			2875	2875
DWS3045				1563	2716			2716	2716
DWS3645				1697	2932			2932	2932
DWS2448				1605	2770			2770	2770
DWS3048				1682	2908			2908	2908
DWS3648				1759	3046			3046	3046

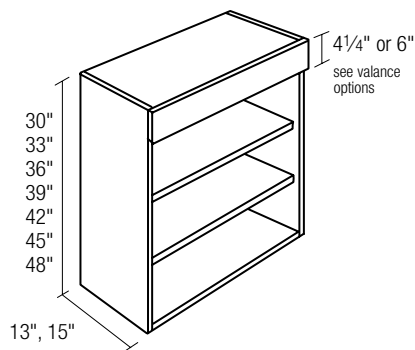
## 15" Deep

DWS2430-15				1478	2528			2528	2528
DWS3030-15				1556	2665			2665	2665
DWS3630-15				1634	2802			2802	2802
DWS2433-15				1534	2627			2627	2627
DWS3033-15				1589	2722			2722	2722
DWS3633-15				1644	2818			2818	2818
DWS2436-15				1588	2726			2726	2726
DWS3036-15				1621	2779			2779	2779
DWS3636-15				1654	2832			2832	2832
DWS3039-15				1701	2911			2911	2911
DWS3639-15				1734	2968			2968	2968
DWS3042-15				1684	2889			2889	2889
DWS3642-15				1766	3026			3026	3026
DWS3045-15				1667	2869			2869	2869
DWS3645-15				1799	3083			3083	3083
DWS2448-15				1697	2925			2925	2925
DWS3048-15				1780	3061			3061	3061
DWS3648-15				1863	3197			3197	3197

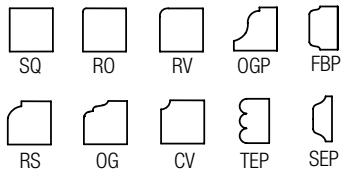
# Wall Cabinets : Decorative Open Cabinets

FOR ALL WALL DECORATIVE OPEN SHELF CABINETS

- Finished Interior standard
- Pricing includes Valance; see pages 16.15-16.16 for Valance details



- 30", 33" and 36" high have two adjustable shelves; 39", 42" and 45" high have three adjustable shelves; 48" high has four adjustable shelves
- Adjustable shelves are not flush with the front of the cabinet; see page 1.7
- Wood Premium available in Walnut
- Specify Valance option
- Deluxe Veneers available with Straight Valance only
- Minimum width for valances is 24"; except VAL minimum width is 18"
- Standard shelf is 3/4" thick
- Upgrade to optional applied shelf edging; add 20%



- Shelf edging not available in Deluxe Veneers
- TEP not available in Red Birch or Alder
- OGP, FBP, TEP, SEP not available in Walnut

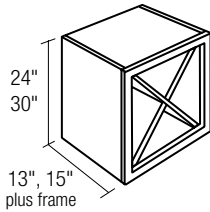
## Decorative Open Wall Shelf

	Wood		Wood Premium	
	Wood	Premium	Wood	Premium
<b>13" Deep</b>				
VDWS2430	1584	1675		
VDWS3030	1676	1772		
VDWS3630	1767	1868		
VDWS3033	1713	1811		
VDWS3633	1778	1880		
VDWS2436	1714	1812		
VDWS3036	1752	1852		
VDWS3636	1789	1891		
VDWS3039	1838	1943		
VDWS3639	1876	1983		
VDWS3042	1846	1951		
VDWS3642	1914	2023		
VDWS3045	1812	1916		
VDWS3645	1952	2064		
VDWS2448	1844	1949		
VDWS3048	1918	2028		
VDWS3648	1991	2105		
<b>15" Deep</b>				
VDWS2430-15	1684	1780		
VDWS3030-15	1777	1879		
VDWS3630-15	1869	1976		
VDWS3033-15	1815	1919		
VDWS3633-15	1880	1987		
VDWS2436-15	1815	1919		
VDWS3036-15	1853	1959		
VDWS3636-15	1890	1998		
VDWS3039-15	1940	2051		
VDWS3639-15	1977	2090		
VDWS3042-15	1927	2037		
VDWS3642-15	2018	2133		
VDWS3045-15	1914	2023		
VDWS3645-15	2057	2175		
VDWS2448-15	1946	2057		
VDWS3048-15	2022	2138		
VDWS3648-15	2097	2217		

## Valance Options (factory installed)

Description	Height	SKU	List Price
Straight	4 1/4"	VAL	No Charge
Arched	6"	ARCHVAL	No Charge
Mission	6"	MISSVAL	No Charge
Long Arch	6"	LNGACHVAL	No Charge
Transitional Arch	6"	TRANSVAL	No Charge

# Wall Cabinets : Wine Racks



- Cannot be installed on its side
- Special sizes not available
- Wood Premium available in Walnut
- Not available in Deluxe Veneers
- WINEX24 holds 40 bottles
- WINEX30 holds 60 bottles

## X Wine Rack

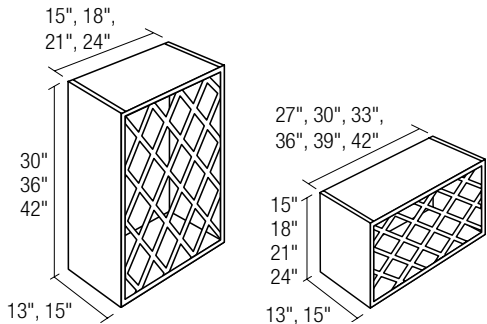
	Melamine	Eurotek	Textured Melamine	Standard Thermofoil	Premium Thermofoil	Wood	Wood Premium	Metal	UltraLux
--	----------	---------	-------------------	---------------------	--------------------	------	--------------	-------	----------

### 13" Deep

WINEX24						1142	1207		
WINEX30						1412	1493		

### 15" Deep

WINEX24-15						1182	1250		
WINEX30-15						1451	1534		



- Available in Wood only
- Reduced Dimension modifications only
- Finished Interior standard
- Not available in Red Birch, Walnut or Deluxe Veneers
- Rustic Alder and Rustic Cherry orders will be made in clear Alder and clear Cherry
- Not available in Aged, Rubbed, Worn or Heritage finishes

## Lattice Wine Rack

	Wood	Bottles		Wood	Bottles
--	------	---------	--	------	---------

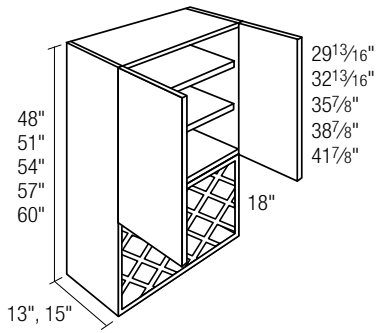
### 13" Deep

LWRK1530	1122	11
LWRK1536	1164	14
LWRK1542	1206	17
LWRK1830	1156	11
LWRK1836	1198	14
LWRK1842	1241	17
LWRK2130	1201	17
LWRK2136	1244	23
LWRK2142	1285	27
LWRK2430	1231	17
LWRK2436	1278	23
LWRK2442	1321	27
LWRK2715	1110	10
LWRK2718	1133	11
LWRK2721	1156	17
LWRK2724	1179	17
LWRK3015	1122	11
LWRK3018	1133	11
LWRK3021	1150	17
LWRK3024	1167	17
LWRK3315	1142	14
LWRK3318	1156	14
LWRK3321	1173	23
LWRK3324	1190	23
LWRK3615	1164	14
LWRK3618	1198	14
LWRK3621	1244	23
LWRK3624	1278	23
LWRK3915	1185	17
LWRK3918	1220	17
LWRK3921	1266	27
LWRK3924	1300	27
LWRK4215	1206	17
LWRK4218	1241	17
LWRK4221	1285	27
LWRK4224	1321	27

### 15" Deep

LWRK1530-15	1162	11
LWRK1536-15	1203	14
LWRK1542-15	1246	17
LWRK1830-15	1196	11
LWRK1836-15	1238	14
LWRK1842-15	1280	17
LWRK2130-15	1242	17
LWRK2136-15	1283	23
LWRK2142-15	1327	27
LWRK2430-15	1272	17
LWRK2436-15	1318	23
LWRK2442-15	1360	27
LWRK2715-15	1150	10
LWRK2718-15	1173	11
LWRK2721-15	1196	17
LWRK2724-15	1219	17
LWRK3015-15	1162	11
LWRK3018-15	1173	11
LWRK3021-15	1190	17
LWRK3024-15	1207	17
LWRK3315-15	1182	14
LWRK3318-15	1196	14
LWRK3321-15	1214	23
LWRK3324-15	1230	23
LWRK3615-15	1203	14
LWRK3618-15	1238	14
LWRK3621-15	1283	23
LWRK3624-15	1318	23
LWRK3915-15	1225	17
LWRK3918-15	1260	17
LWRK3921-15	1305	27
LWRK3924-15	1339	27
LWRK4215-15	1246	17
LWRK4218-15	1280	17
LWRK4221-15	1327	27
LWRK4224-15	1360	27

# Wall Cabinets : Wine Racks



- In upper section: 48", 51" and 54" high have two adjustable shelves; 57", 60" and 63" high have three adjustable shelves; 66" high has four adjustable shelves
- Only Reduced Width and Increased Depth available
- Reduced Dimension modifications only
- Available in Wood only
- Finished Interior standard
- Finished Ends standard
- Not available in Red Birch, Walnut or Deluxe Veneers
- Rustic Alder and Rustic Cherry orders will be made in clear Alder and clear Cherry
- Not available in Aged, Rubbed, Worn or Heritage finishes
- Due to varying countertop heights, it is recommended that you modify the hutch height for perfect alignment. Hutch Height = Tall Cabinet Height minus Base Cabinet Height minus Countertop Height

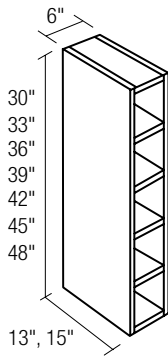
## Wall Cabinet with Lattice Wine Rack

Price Grade	1	2	3	4	5	6	7	8	9
<b>13" Deep</b>									
WLWRK2748	1534	1676	2069	2290	2484	2695	3003	3268	3555
WLWRK2751	1582	1725	2125	2354	2555	2773	3091	3365	3664
WLWRK2754	1629	1774	2181	2418	2626	2851	3179	3462	3772
WLWRK2757	1678	1828	2240	2486	2697	2931	3269	3562	3880
WLWRK2760	1725	1877	2301	2556	2771	3009	3361	3661	3989
WLWRK3048	1583	1727	2126	2360	2560	2778	3098	3371	3669
WLWRK3051	1643	1791	2199	2440	2648	2875	3209	3491	3803
WLWRK3054	1703	1855	2271	2520	2736	2972	3319	3611	3936
WLWRK3057	1759	1917	2340	2598	2820	3066	3426	3728	4065
WLWRK3060	1813	1976	2410	2674	2905	3159	3528	3846	4194
WLWRK3348	1789	1934	2183	2429	2636	2861	3194	3473	3782
WLWRK3351	1861	2013	2273	2525	2741	2977	3326	3616	3941
WLWRK3354	1933	2092	2362	2621	2846	3092	3458	3759	4100
WLWRK3357	1996	2162	2440	2709	2942	3201	3582	3894	4250
WLWRK3360	2057	2231	2520	2793	3039	3308	3696	4031	4400
WLWRK3648	1714	1869	2281	2532	2750	2989	3334	3631	3958
WLWRK3651	1815	1979	2406	2674	2904	3158	3526	3843	4190
WLWRK3654	1915	2088	2530	2816	3057	3327	3718	4054	4421
WLWRK3657	1964	2146	2593	2885	3134	3414	3814	4160	4537
WLWRK3660	2013	2203	2657	2955	3213	3499	3912	4263	4653

## 15" Deep

WLWRK2748-15	1644	1774	2172	2388	2586	2798	3105	3369	3658
WLWRK2751-15	1692	1825	2229	2454	2656	2876	3192	3467	3766
WLWRK2754-15	1740	1875	2285	2519	2726	2953	3278	3565	3873
WLWRK2757-15	1790	1927	2344	2588	2800	3031	3371	3662	3982
WLWRK2760-15	1836	1980	2403	2656	2871	3110	3461	3761	4091
WLWRK3048-15	1696	1828	2230	2459	2663	2880	3199	3470	3772
WLWRK3051-15	1755	1892	2302	2540	2750	2976	3309	3592	3905
WLWRK3054-15	1814	1956	2374	2621	2836	3072	3419	3714	4037
WLWRK3057-15	1870	2018	2444	2697	2921	3166	3524	3829	4164
WLWRK3060-15	1924	2079	2513	2775	3004	3259	3629	3945	4293
WLWRK3348-15	1761	1898	2307	2546	2759	2985	3316	3601	3916
WLWRK3351-15	1841	1986	2406	2658	2878	3118	3467	3768	4098
WLWRK3354-15	1920	2073	2504	2769	2996	3251	3618	3935	4279
WLWRK3357-15	1973	2132	2570	2842	3079	3340	3719	4044	4401
WLWRK3360-15	2024	2192	2637	2915	3159	3430	3821	4154	4523
WLWRK3648-15	1827	1968	2385	2633	2854	3089	3434	3732	4060
WLWRK3651-15	1927	2079	2510	2776	3005	3260	3626	3944	4291
WLWRK3654-15	2026	2189	2634	2918	3156	3430	3817	4156	4522
WLWRK3657-15	2076	2246	2696	2987	3238	3514	3914	4260	4638
WLWRK3660-15	2124	2305	2761	3055	3314	3601	4014	4363	4753

# Wall Cabinets : Wine Racks



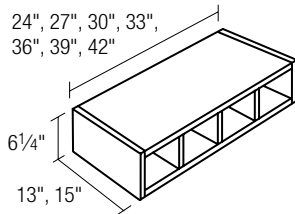
- Finished Interior standard
- Vertical application only
- WRV30 holds 5 bottles; WRV33 holds 5 bottles; WRV36 holds 6 bottles; WRV39 holds 6 bottles; WRV42 holds 7 bottles; WRV45 holds 7 bottles; WRV48 holds 8 bottles
- Wood Premium available in Walnut

## Vertical Wine Rack

	Melamine	Eurotek	Textured Melamine	Standard Thermofoil	Premium Thermofoil	Wood	Wood Premium	Metal	UltraLux
<b>13" Deep</b>									
WRV30	426	426	511	511	1002	825	872	1002	1002
WRV33	449	449	539	539	1050	869	919	1050	1050
WRV36	470	470	564	564	1101	912	964	1101	1101
WRV39	490	490	588	588	1156	956	1011	1156	1156
WRV42	514	514	617	617	1209	1002	1059	1209	1209
WRV45	537	537	644	644	1262	1048	1108	1262	1262
WRV48	560	560	672	672	1315	1095	1158	1315	1315

## 15" Deep

WRV30-15	469	469	563	563	1060	863	912	1060	1060
WRV33-15	489	489	587	587	1110	908	960	1110	1110
WRV36-15	509	509	611	611	1162	951	1005	1162	1162
WRV39-15	533	533	640	640	1216	995	1052	1216	1216
WRV42-15	556	556	667	667	1272	1042	1102	1272	1272
WRV45-15	579	579	695	695	1328	1088	1150	1328	1328
WRV48-15	602	602	722	722	1384	1134	1199	1384	1384



- Finished Interior
- Specify Finished Ends
- Horizontal application only
- WRH24 and WRH27 hold 4 bottles; WRH30 and WRH33 hold 5 bottles; WRH36 and WRH39 hold 6 bottles; WRH42 holds 7 bottles
- Wood Premium available in Walnut

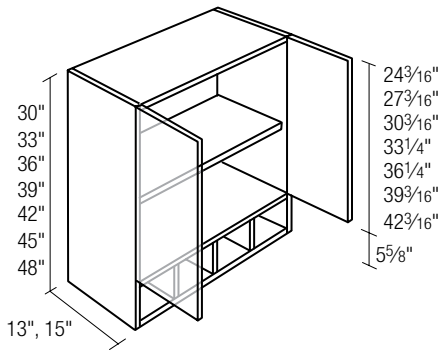
## Horizontal Wine Rack

	Melamine	Eurotek	Textured Melamine	Standard Thermofoil	Premium Thermofoil	Wood	Wood Premium	Metal	UltraLux
<b>13" Deep</b>									
WRH24	380	380	456	456	904	738	780	904	904
WRH27	403	403	484	484	953	781	826	953	953
WRH30	426	426	511	511	1002	825	872	1002	1002
WRH33	449	449	539	539	1050	869	919	1050	1050
WRH36	470	470	564	564	1101	912	964	1101	1101
WRH39	490	490	588	588	1156	956	1011	1156	1156
WRH42	514	514	617	617	1209	1002	1059	1209	1209

## 15" Deep

WRH24-15	427	427	512	512	960	774	818	960	960
WRH27-15	448	448	538	538	1010	819	866	1010	1010
WRH30-15	469	469	563	563	1060	863	912	1060	1060
WRH33-15	489	489	587	587	1110	908	960	1110	1110
WRH36-15	509	509	611	611	1162	951	1005	1162	1162
WRH39-15	533	533	640	640	1216	995	1052	1216	1216
WRH42-15	556	556	667	667	1272	1042	1102	1272	1272

# Wall Cabinets : Letter File Cabinets



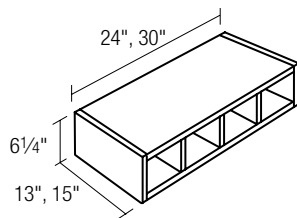
- Finished Interior standard
- 30" and 33" high have one adjustable shelf; 36", 39" and 42" high have two adjustable shelves; 45" and 48" high have three adjustable shelves
- 24" wide has four openings; 30" wide has five openings

## Integral Letter File Cabinet

Price Grade	1	2	3	4	5	6	7	8	9
<b>13" Deep</b>									
WLF2430	780	858	923	1600	1660	1952	2049	2132	2226
WLF3030	858	945	1017	1755	1824	2069	2177	2269	2373
WLF2433	794	874	942	1621	1685	1978	2079	2166	2264
WLF3033	888	979	1055	1799	1869	2120	2235	2334	2443
WLF2436	806	888	961	1642	1710	2004	2108	2200	2301
WLF3036	918	1012	1092	1842	1913	2170	2294	2399	2513
WLF2439	843	928	1005	1691	1762	2063	2178	2273	2382
WLF3039	949	1044	1130	1882	1964	2220	2350	2459	2580
WLF2442	880	966	1046	1742	1815	2123	2245	2347	2465
WLF3042	978	1075	1168	1925	2010	2269	2407	2520	2647
WLF2445	916	1005	1087	1793	1867	2182	2314	2420	2547
WLF3045	1007	1107	1206	1968	2056	2318	2465	2580	2714
WLF2448	953	1043	1127	1844	1919	2241	2382	2493	2629
WLF3048	1036	1138	1245	2010	2102	2367	2522	2640	2780

## 15" Deep

WLF2430-15	874	959	1025	1699	1762	2052	2151	2233	2326
WLF3030-15	951	1046	1122	1857	1926	2168	2276	2371	2474
WLF2433-15	885	974	1045	1722	1786	2079	2180	2267	2364
WLF3033-15	981	1077	1158	1899	1971	2220	2337	2434	2543
WLF2436-15	898	989	1065	1743	1809	2105	2209	2302	2402
WLF3036-15	1011	1110	1196	1941	2017	2272	2398	2498	2612
WLF2439-15	934	1029	1107	1793	1863	2165	2277	2376	2482
WLF3039-15	1041	1143	1233	1983	2061	2321	2452	2559	2682
WLF2442-15	973	1069	1148	1843	1913	2224	2346	2447	2564
WLF3042-15	1071	1178	1271	2023	2112	2371	2507	2621	2747
WLF2445-15	1012	1109	1191	1892	1963	2285	2414	2519	2646
WLF3045-15	1101	1213	1308	2063	2163	2420	2562	2683	2814
WLF2448-15	1051	1148	1233	1941	2013	2345	2481	2590	2728
WLF3048-15	1131	1247	1346	2104	2214	2469	2617	2744	2880



- Finished Interior and Finished Ends standard
- Order 5" high to go with 42" cabinets (Example LF24-5)
- Order 6 1/4" high to go with 30" or 36" cabinets (Example LF24-6)
- Horizontal application only
- No back
- 24" wide has four openings; 30" wide has five openings
- Wood Premium available in Walnut

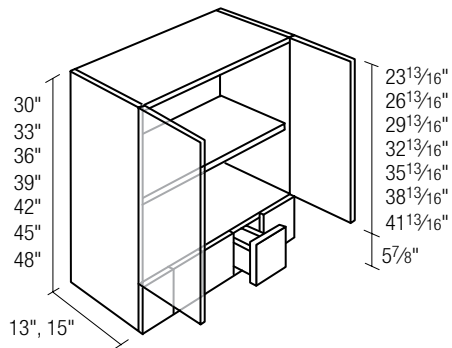
## Letter File

	Melamine	Eurotek	Textured Melamine	Standard Thermofoil	Premium Thermofoil	Wood Premium	Metal	UltraLux
<b>13" Deep</b>								
LF24-5	341	341	409	409	707	632	668	707
LF30-5	388	388	466	466	869	723	764	869
LF24-6	369	369	443	443	796	691	730	796
LF30-6	412	412	494	494	945	741	783	945
<b>15" Deep</b>								
LF24-5-15	381	381	457	457	766	671	709	766
LF30-5-15	430	430	516	516	929	764	808	929
LF24-6-15	409	409	491	491	855	730	772	855
LF30-6-15	452	452	542	542	1007	780	825	1007

# Wall Cabinets : Spice Drawer Cabinets

FOR ALL SPICE DRAWER CABINETS

- Slab drawer fronts only
- No drawer glides
- Width modifications available in 6" increments only



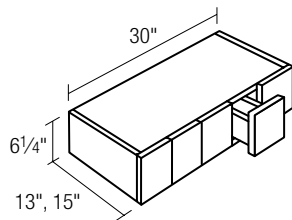
- 30" and 33" high have one adjustable shelf; 36", 39" and 42" high have two adjustable shelves; 45" and 48" high have three adjustable shelves
- Not available in Eurotek Cape May, Clermont or Lakehurst

## Integral Spice Drawer Cabinet

Price Grade	1	2	3	4	5	6	7	8	9
<b>13" Deep</b>									
WSDH3030	1019	1123	1200	1382	1449	1649	1757	1853	1960
WSDH3033	1049	1156	1237	1424	1495	1701	1817	1916	2027
WSDH3036	1081	1190	1275	1467	1541	1754	1876	1980	2096
WSDH3039	1111	1222	1311	1510	1587	1805	1933	2041	2162
WSDH3042	1141	1255	1351	1549	1636	1853	1989	2101	2230
WSDH3045	1171	1289	1389	1589	1686	1900	2045	2161	2296
WSDH3048	1201	1324	1428	1628	1736	1948	2101	2221	2363

## 15" Deep

WSDH3030-15	1112	1223	1304	1485	1549	1751	1861	1954	2058
WSDH3033-15	1142	1256	1340	1526	1595	1804	1919	2017	2128
WSDH3036-15	1171	1290	1377	1568	1641	1856	1977	2080	2196
WSDH3039-15	1202	1323	1415	1608	1688	1904	2033	2141	2264
WSDH3042-15	1231	1356	1453	1649	1736	1954	2090	2202	2330
WSDH3045-15	1261	1389	1491	1688	1783	2003	2147	2261	2398
WSDH3048-15	1291	1422	1529	1728	1830	2052	2203	2320	2466



- Not available with 5-piece Drawer Fronts
- Horizontal application only
- Not available in Eurotek Cape May, Clermont or Lakehurst
- Wood Premium available in Walnut

## Spice Drawers

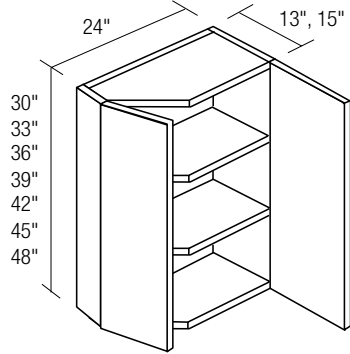
	Melamine	Eurotek	Textured Melamine	Standard Thermofoil	Premium Thermofoil	Wood	Wood Premium	Metal	UltraLux
<b>13" Deep</b>									
SDH30		561		561	1015	805	851	1015	1015
<b>15" Deep</b>									
SDH30-15		561		602	1076	847	895	1076	1076



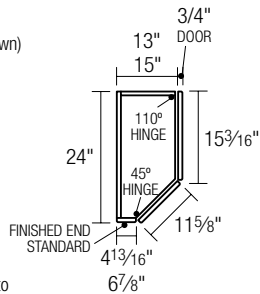
# Wall Cabinets : End Cabinets

FOR ALL WALL END CABINETS

- Designate L/R hinge (left shown) on single-door cabinets
- 30", 33" and 36" high have two shelves; 39", 42" and 45" high have three shelves; 48" high has four shelves
- Finished Ends not available
- Doors prepared for glass in Frame and Mullion styles only



- Designate angle L/R (left shown)
- Fixed shelves
- Back and end not finished
- Use Transitional Cabinet Modification Form when requesting a modification; see OneTouch
- Not available in Fineline, Slimline or Broadline Metal door styles
- Small doors may be difficult to remove due to hinge proximity to back panel

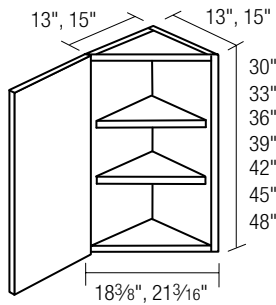


## Transitional Wall Cabinet

Price Grade	1	2	3	4	5	6	7	8	9
<b>13" Deep</b>									
TRW1330	659	724	814	916	1009	1108	1253	1377	1515
TRW1333	707	777	873	983	1083	1189	1343	1477	1626
TRW1336	754	830	931	1049	1155	1271	1434	1579	1738
TRW1339	811	891	1003	1128	1241	1364	1542	1695	1865
TRW1342	864	952	1070	1206	1327	1460	1648	1815	1996
TRW1345	975	1074	1209	1362	1498	1649	1861	2050	2254
TRW1348	1085	1197	1349	1518	1670	1838	2074	2285	2511

## 15" Deep

TRW1530	724	798	894	1009	1108	1219	1378	1517	1670
TRW1533	773	850	953	1074	1181	1299	1469	1617	1779
TRW1536	822	902	1012	1140	1255	1380	1560	1716	1888
TRW1539	877	962	1081	1218	1340	1475	1668	1834	2019
TRW1542	933	1024	1150	1297	1428	1569	1775	1952	2148
TRW1545	961	1056	1185	1337	1472	1616	1829	2012	2212
TRW1548	989	1087	1220	1376	1515	1662	1882	2071	2276



- Adjustable shelves
- Not available in Fineline, Slimline or Broadline Metal door styles
- Both sides must be the same dimension

## Triangle End Cabinet

Price Grade	1	2	3	4	5	6	7	8	9
<b>13" Deep</b>									
WTC1330	556	609	685	773	854	934	1055	1165	1281
WTC1333	580	637	716	808	891	976	1105	1216	1338
WTC1336	604	665	747	843	929	1017	1156	1268	1394
WTC1339	634	698	782	885	974	1069	1213	1331	1465
WTC1342	666	731	821	929	1017	1122	1268	1394	1534
WTC1345	698	766	858	971	1060	1174	1323	1459	1603
WTC1348	730	800	896	1014	1102	1226	1378	1523	1673

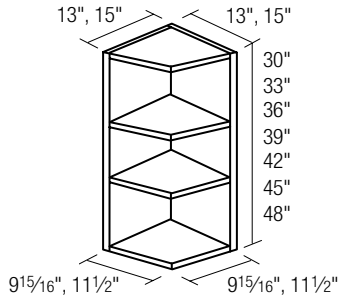
## 15" Deep

WTC1530	604	665	747	843	929	1017	1156	1268	1394
WTC1533	618	682	765	864	951	1043	1184	1299	1430
WTC1536	634	698	782	885	974	1069	1213	1331	1465
WTC1539	666	731	821	929	1017	1122	1268	1394	1534
WTC1542	694	767	857	973	1063	1171	1323	1460	1604
WTC1545	722	801	894	1017	1110	1221	1378	1524	1674
WTC1548	750	835	930	1062	1156	1271	1433	1589	1743

# Wall Cabinets : End Cabinets

FOR ALL WALL END CABINETS

- Designate L/R hinge (left shown) on single-door cabinets
- 30", 33" and 36" high have two shelves; 39", 42" and 45" high have three shelves; 48" high has four shelves
- Finished Ends not available
- Doors prepared for glass in Frame and Mullion styles only



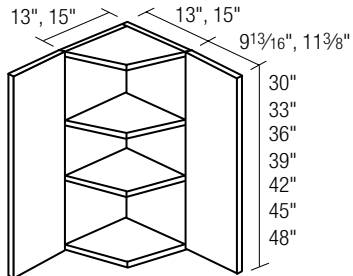
- Fixed shelves
- Finished Interior standard
- Both sides must be the same dimension
- Wood Premium available in Walnut

## End Cabinet without Doors

	Melamine	Eurotek	Textured Melamine	Standard Thermofoil	Premium Thermofoil	Wood	Wood Premium	Metal	UltraLux
<b>13" Deep</b>									
WNWEC1330	300	300	360	360	657	560	592	657	657
WNWEC1333	330	330	396	396	712	579	612	712	712
WNWEC1336	361	361	433	433	768	597	631	768	768
WNWEC1339	392	392	470	470	803	630	666	803	803
WNWEC1342	421	421	505	505	841	663	701	841	841
WNWEC1345	450	450	540	540	879	696	736	879	879
WNWEC1348	479	479	575	575	479	729	771	917	917

## 15" Deep

WNWEC1530	361	361	433	433	768	597	631	768	768
WNWEC1533	377	377	452	452	784	613	648	784	784
WNWEC1536	392	392	470	470	803	630	666	803	803
WNWEC1539	421	421	505	505	841	663	701	841	841
WNWEC1542	450	450	540	540	877	694	734	877	877
WNWEC1545	479	479	575	575	912	725	766	912	912
WNWEC1548	508	508	610	610	508	756	799	948	948



- Fixed shelves
- Both sides must be the same dimension

## End Cabinet

Price Grade	1	2	3	4	5	6	7	8	9
<b>13" Deep</b>									
WEC1330	586	644	720	816	898	988	1123	1233	1355
WEC1333	636	698	781	883	975	1073	1215	1335	1468
WEC1336	686	752	843	951	1050	1158	1307	1437	1581
WEC1339	736	808	907	1023	1128	1243	1404	1544	1701
WEC1342	784	863	969	1096	1203	1328	1500	1648	1819
WEC1345	834	918	1032	1168	1279	1413	1598	1751	1937
WEC1348	884	974	1094	1240	1355	1498	1696	1854	2054

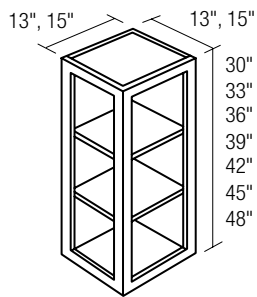
## 15" Deep

WEC1530	686	752	843	951	1050	1158	1307	1437	1581
WEC1533	711	780	875	987	1089	1200	1355	1490	1642
WEC1536	736	808	907	1022	1128	1242	1404	1544	1701
WEC1539	784	863	969	1096	1203	1328	1500	1648	1819
WEC1542	841	924	1036	1171	1289	1419	1606	1765	1945
WEC1545	897	985	1103	1247	1375	1512	1712	1883	2072
WEC1548	953	1046	1171	1323	1460	1604	1818	2000	2199

# Wall Cabinets : Whatnots

FOR ALL WALL WHATNOTS

- 30", 33" and 36" high have two shelves; 39", 42" and 45" high have three shelves; 48" high has four shelves
- Finished Interior standard; Finished Ends not available



- Designate L/R (right shown)
- Frame has an eased edge and a 1/16" reveal
- 3/4"-thick, fixed shelves
- Wood Premium available in Walnut
- Not available in Deluxe Veneers

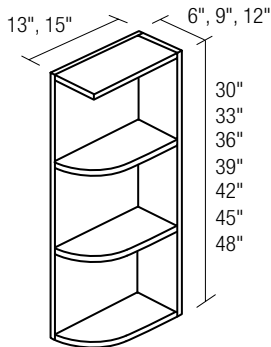
## Square Whatnot with Frame

	Wood	Wood Premium		Wood	Wood Premium
<b>13" Deep</b>			<b>15" Deep</b>		
FWN1330	901	952	FWN1530	954	1009
FWN1333	933	986	FWN1533	987	1043
FWN1336	964	1019	FWN1536	1018	1076
FWN1339	989	1046	FWN1539	1044	1104
FWN1342	1015	1073	FWN1542	1069	1130
FWN1345	1041	1100	FWN1545	1094	1157
FWN1348	1093	1155	FWN1548	1119	1183

# Wall Cabinets : Whatnots

FOR ALL WALL WHATNOTS

- 30", 33" and 36" high have two shelves; 39", 42" and 45" high have three shelves; 48" high has four shelves
- Finished Interior standard; Finished Ends not available



- Designate L/R (right shown)
- Fixed shelves
- Wood Premium available in Walnut

## Whatnot with Radius Shelves and Square Top

	Melamine	Eurotek	Textured Melamine	Standard Thermofoil	Premium Thermofoil	Wood	Wood Premium	Metal	UltraLux
<b>13" Deep</b>									
WN630	248	248	298	298	597	537	568	597	597
WN930	279	279	335	335	643	579	612	643	643
WN1230	322	322	386	386	691	623	659	691	691
WN633	269	269	323	323	651	564	596	651	651
WN933	299	299	359	359	690	602	636	690	690
WN1233	331	331	397	397	721	623	659	721	721
WN636	289	289	347	347	707	591	625	707	707
WN936	341	341	409	409	750	623	659	750	750
WN1236	380	380	456	456	805	663	701	805	805
WN639	317	317	380	380	738	621	656	738	738
WN939	361	361	433	433	778	647	684	778	778
WN1239	394	394	473	473	831	677	716	831	831
WN642	343	343	412	412	768	651	688	768	768
WN942	380	380	456	456	805	671	709	805	805
WN1242	407	407	488	488	855	691	730	855	855
WN645	369	369	443	443	798	681	720	798	798
WN945	419	419	503	503	860	720	761	860	860
WN1245	453	453	544	544	932	735	777	932	932
WN648	395	395	474	474	828	710	751	828	828
WN948	457	457	548	548	915	769	813	915	915
WN1248	499	499	599	599	1009	778	822	1009	1009

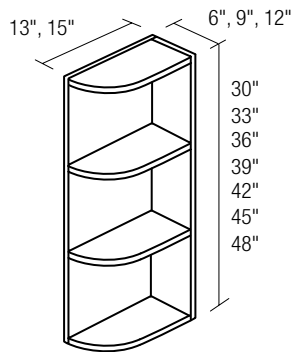
## 15" Deep

WN630-15	302	302	362	362	677	591	625	677	677
WN930-15	331	331	397	397	723	633	669	723	723
WN1230-15	376	376	451	451	771	674	713	771	771
WN633-15	323	323	388	388	731	617	652	731	731
WN933-15	351	351	421	421	770	654	691	770	770
WN1233-15	384	384	461	461	801	674	713	801	801
WN636-15	343	343	412	412	787	645	682	787	787
WN936-15	369	369	443	443	818	673	711	818	818
WN1236-15	395	395	474	474	831	674	713	831	831
WN639-15	415	415	498	498	858	701	741	858	858
WN939-15	435	435	522	522	887	718	759	887	887
WN1239-15	447	447	536	536	912	730	772	912	912
WN642-15	397	397	476	476	850	703	806	850	850
WN942-15	435	435	522	522	887	725	825	887	887
WN1242-15	462	462	554	554	934	744	839	934	934
WN645-15	380	380	456	456	841	707	876	841	841
WN945-15	435	435	522	522	887	732	896	887	887
WN1245-15	477	477	572	572	956	756	912	956	956
WN648-15	499	499	599	599	1102	901	952	1102	1102
WN948-15	524	524	629	629	1139	922	975	1139	1139
WN1248-15	538	538	646	646	1172	938	992	1172	1172

# Wall Cabinets : Whatnots

FOR ALL WALL WHATNOTS

- 30", 33" and 36" high have two shelves; 39", 42" and 45" high have three shelves; 48" high has four shelves
- Finished Interior standard; Finished Ends not available



- Designate L/R hinge (right shown)
- Reversible for left or right application
- Fixed shelves
- Wood Premium available in Walnut

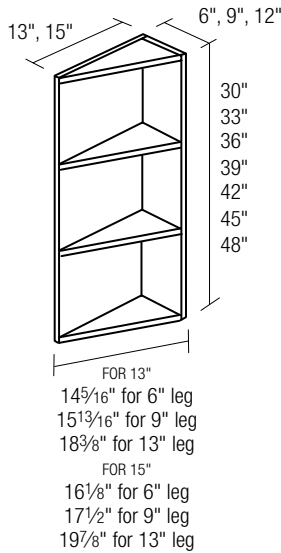
## Whatnot with Radius Shelves and Radius Top

	Melamine	Eurotek	Textured Melamine	Standard Thermofoil	Premium Thermofoil	Wood	Wood Premium	Metal	UltraLux
<b>13" Deep</b>									
WNR630	248	248	298	298	597	537	568	597	597
WNR930	279	279	335	335	643	579	612	643	643
WNR1230	322	322	386	386	691	623	659	691	691
WNR633	269	269	323	323	651	564	596	651	651
WNR933	299	299	359	359	690	602	636	690	690
WNR1233	331	331	397	397	721	623	659	721	721
WNR636	289	289	347	347	707	591	625	707	707
WNR936	341	341	409	409	750	623	659	750	750
WNR1236	380	380	456	456	805	663	701	805	805
WNR639	317	317	380	380	738	621	656	738	738
WNR939	361	361	433	433	778	647	684	778	778
WNR1239	394	394	473	473	831	677	716	831	831
WNR642	343	343	412	412	768	651	688	768	768
WNR942	380	380	456	456	805	671	709	805	805
WNR1242	407	407	488	488	855	691	730	855	855
WNR645	369	369	443	443	798	681	720	798	798
WNR945	419	419	503	503	860	720	761	860	860
WNR1245	453	453	544	544	932	735	777	932	932
WNR648	395	395	474	474	828	710	751	828	828
WNR948	457	457	548	548	915	769	813	915	915
WNR1248	499	499	599	599	1009	778	822	1009	1009
<b>15" Deep</b>									
WNR630-15	302	302	362	362	677	591	625	677	677
WNR930-15	331	331	397	397	723	633	669	723	723
WNR1230-15	376	376	451	451	771	674	713	771	771
WNR633-15	323	323	388	388	731	617	652	731	731
WNR933-15	351	351	421	421	770	654	691	770	770
WNR1233-15	384	384	461	461	801	674	713	801	801
WNR636-15	343	343	412	412	787	645	682	787	787
WNR936-15	369	369	443	443	818	673	711	818	818
WNR1236-15	395	395	474	474	831	674	713	831	831
WNR639-15	415	415	498	498	858	701	741	858	858
WNR939-15	435	435	522	522	887	718	759	887	887
WNR1239-15	447	447	536	536	912	730	772	912	912
WNR642-15	397	397	476	476	850	703	806	850	850
WNR942-15	435	435	522	522	887	725	825	887	887
WNR1242-15	462	462	554	554	934	744	839	934	934
WNR645-15	380	380	456	456	841	707	876	841	841
WNR945-15	435	435	522	522	887	732	896	887	887
WNR1245-15	477	477	572	572	956	756	912	956	956
WNR648-15	499	499	599	599	1102	901	952	1102	1102
WNR948-15	524	524	629	629	1139	922	975	1139	1139
WNR1248-15	538	538	646	646	1172	938	992	1172	1172

# Wall Cabinets : Whatnots

FOR ALL WALL WHATNOTS

- 30", 33" and 36" high have two shelves; 39", 42" and 45" high have three shelves; 48" high has four shelves
- Finished Interior standard; Finished Ends not available



- Designate L/R hinge (right shown)
- Fixed shelves
- Wood Premium available in Walnut

## Triangle Whatnot

	Melamine	Eurotek	Textured Melamine	Standard Thermofoil	Premium Thermofoil	Wood	Wood Premium	Metal	UltraLux
<b>13" Deep</b>									
TWN630	248	248	298	298	597	537	568	597	597
TWN930	279	279	335	335	643	579	612	643	643
TWN1230	322	322	386	386	691	623	659	691	691
TWN633	269	269	323	323	651	564	596	651	651
TWN933	299	299	359	359	690	602	636	690	690
TWN1233	331	331	397	397	721	623	659	721	721
TWN636	289	289	347	347	707	591	625	707	707
TWN936	317	317	380	380	738	621	659	738	738
TWN1236	341	341	409	409	750	623	701	750	750
TWN639	361	361	433	433	778	647	656	778	778
TWN939	380	380	456	456	805	663	684	805	805
TWN1239	394	394	473	473	831	677	716	831	831
TWN642	343	343	412	412	768	651	688	768	768
TWN942	380	380	456	456	805	671	709	805	805
TWN1242	407	407	488	488	855	691	730	855	855
TWN645	369	369	443	443	798	681	720	798	798
TWN945	419	419	503	503	860	720	761	860	860
TWN1245	453	453	544	544	932	735	777	932	932
TWN648	395	395	474	474	828	710	751	828	828
TWN948	457	457	548	548	915	769	813	915	915
TWN1248	499	499	599	599	1009	778	822	1009	1009

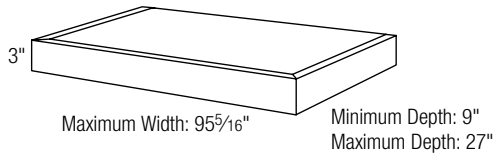
## 15" Deep

TWN630-15	302	302	362	362	677	591	625	677	677
TWN930-15	331	331	397	397	723	633	669	723	723
TWN1230-15	376	376	451	451	771	674	713	771	771
TWN633-15	323	323	388	388	731	617	652	731	731
TWN933-15	351	351	421	421	770	654	691	770	770
TWN1233-15	384	384	461	461	801	674	713	801	801
TWN636-15	343	343	412	412	787	645	682	787	787
TWN936-15	369	369	443	443	818	673	711	818	818
TWN1236-15	395	395	474	474	831	674	713	831	831
TWN639-15	415	415	498	498	858	701	741	858	858
TWN939-15	435	435	522	522	887	718	759	887	887
TWN1239-15	447	447	536	536	912	730	772	912	912
TWN642-15	397	397	476	476	850	703	743	850	850
TWN942-15	435	435	522	522	887	725	766	887	887
TWN1242-15	462	462	554	554	934	744	787	934	934
TWN645-15	380	380	456	456	841	707	747	841	841
TWN945-15	435	435	522	522	887	732	774	887	887
TWN1245-15	477	477	572	572	956	756	799	956	956
TWN648-15	499	499	599	599	1102	901	952	1102	1102
TWN948-15	524	524	629	629	1139	922	835	1139	1139
TWN1248-15	538	538	646	646	1172	938	866	1172	1172

# Wall Cabinets : Open Shelves

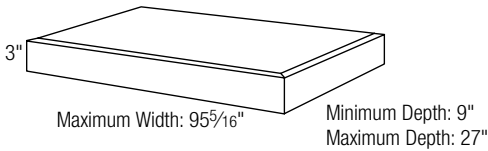
## Open Shelf 2

Both ends are capped and mitered to the front of the shelf.



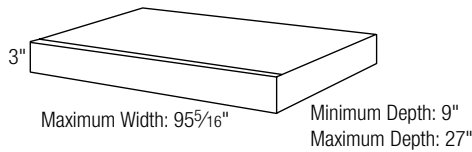
## Open Shelf 1

Only one end is capped and the unfinished end is positioned next to a wall or other cabinet. Shelf can be flipped for right- or left-hand applications.



## Open Shelf

Only the front of the shelf is finished and the shelf is mounted between two walls, two cabinets or a wall and a cabinet.



## Open (Floating) Shelves – 3" thick

	Melamine	Eurotek	Textured Melamine	Standard Thermofoil	Premium Thermofoil	Wood	Wood Premium	Laminate For Metal	UltraLux
--	----------	---------	-------------------	---------------------	--------------------	------	--------------	--------------------	----------

### Open Shelf 2

OPENSHELF-2	101	101	121	121	203	126	164	203	214
-------------	-----	-----	-----	-----	-----	-----	-----	-----	-----

### Open Shelf 1

OPENSHELF-1	95	95	114	114	196	118	153	196	207
-------------	----	----	-----	-----	-----	-----	-----	-----	-----

### Open Shelf

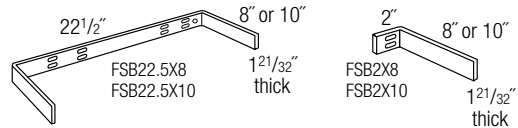
OPENSHELF	89	89	107	107	190	113	147	190	199
-----------	----	----	-----	-----	-----	-----	-----	-----	-----

PRICING IS PER SQUARE FOOT

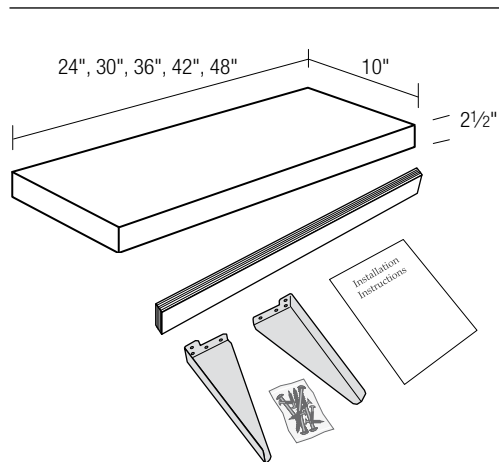
- Open Shelves are designed to be attached to a wall with a field-supplied cleat 1<sup>3</sup>/<sub>4</sub>" in height and the width of the shelf less 1<sup>1</sup>/<sub>2</sub>". Cleat can be up to 3" deep.
- Based on the size of the shelf, special consideration should be made to support the shelf with additional brackets. Manufacturer is not responsible for the security of Open (Floating) Shelves
- Shelf height cannot be modified
- Grain runs with width of shelf
- Shelf is finished top and bottom
- Shelves will have same outside profile as door style ordered
- Maximum shelf width for Eurotek Grey Mist, Grey Opal, White Cypress, Alabaster, Bright White and Espresso finishes is 94"
- Wood Premium available in Walnut

## Metal Brackets for 3"-thick Open (Floating) Shelves

	Price
FSB22.5X8	154
FSB22.5X10	199
FSB2X8	92
FSB2X10	135



- Supports 100 pounds; allow 6 lbs. per sq. ft. for Open Shelf
- Supports 30 pounds per arm; allow 6 lbs. per sq. ft. for Open Shelf
- A shelf that is over 4" deeper than the bracket is not recommended



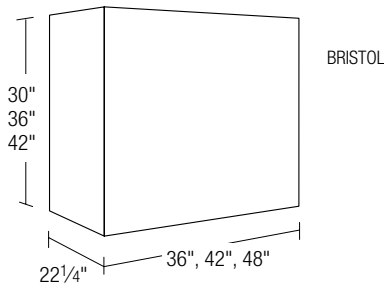
## Open (Floating) Shelves – 2.5" thick

	Melamine	Eurotek	Textured Melamine	Standard Thermofoil	Premium Thermofoil	Wood	Wood Premium	Laminate For Metal	UltraLux
--	----------	---------	-------------------	---------------------	--------------------	------	--------------	--------------------	----------

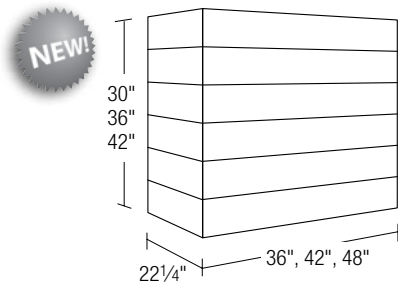
FS2410X2.5						444			
FS3010X2.5						462			
FS3610X2.5						500			
FS4210X2.5						512			
FS4810X2.5						521			

- Solid Wood available in Oak, Maple, MDF, Cherry and Alder
- Not available in Deluxe Veneers or Solid Wood Premium Walnut
- Maximum weight limit for 10"-deep shelves is 15 pounds per foot of length
- **Includes:** Shelf and Installation Hardware [wood mounting plate, metal brackets (2), #10 3" washer-head screws (4), #8 3/4" truss-head screws (4), #6 3/4" flat-head screws (2), and installation instructions]

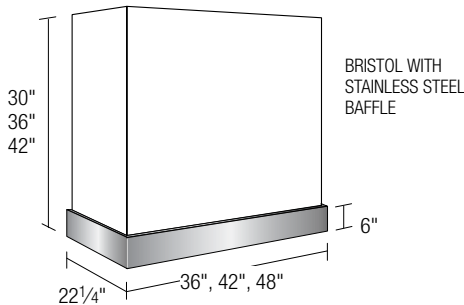
# Wall Cabinets : Stanisci Range Hoods



BRISTOL



BRISTOL WITH HORIZONTAL SHIPLAP LOOK



BRISTOL WITH STAINLESS STEEL BAFFLE

## STANISCI BRISTOL SERIES

- Wall-mount range hood
- Custom heights and widths available; see page 10.92 for Special Order Custom Wood Range Hoods
- Removable panel not available
- Grain will be horizontal; for vertical grain see page 10.92
- Available in Oak, Maple, Cherry and Alder; not available in Red Birch, Wood Premium Walnut or Deluxe Veneers; Rustic Cherry will be clear Cherry; Rustic Alder will be clear Alder
- Bristol (BXRH) and Bristol with Horizontal Shiplap Look (BXHBRH) use SD Series Ventilators
- Bristol with Stainless Steel Baffle (BXSSRH) includes the Stanisci Stainless Baffle ventilator; must add a blower

## Stanisci Range Hood – Bristol Series

SKU Wood Only SKU Wood Only

### Bristol

BXRH3630	2571
BXRH3636	2685
BXRH3642	2807
BXRH4230	2690
BXRH4236	2821
BXRH4242	2961
BXRH4830	2840
BXRH4836	2980
BXRH4842	3130

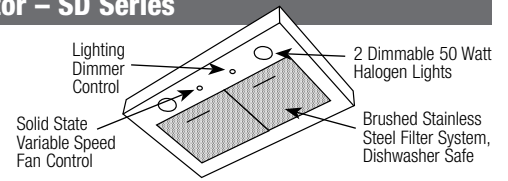
### Bristol with Horizontal Shiplap Look

BXHBRH3630	2676
BXHBRH3636	2790
BXHBRH3642	2912
BXHBRH4230	2795
BXHBRH4236	2926
BXHBRH4242	3066
BXHBRH4830	2945
BXHBRH4836	3085
BXHBRH4842	3235



## Range Hood Ventilator – SD Series

	Price
SD600-36	4534
RB1000-36	7520
SD600-42	4686
RB1000-42	7676
SD600-48	4828
RB1000-48	7812
SD600-54	5009
RB1000-54	7995
SD600-60	5198
RB1000-60	8182



- Stainless Steel Liner
- Variable speed fan
- Two 50-watt halogen lights
- Specify width
- SD Ventilators Feature: full 300-series stainless construction, internal and remote blower units, made by Modernaire Ventilation

SD600 – 5.0 amps, 8" round duct, 600 CFM  
RB1000R – 7.0 amps, 10" round duct, 1200 CFM external unit

SKU Wood Only

### Bristol with Stainless Steel Baffle

BXSSRH3630	5551
BXSSRH3636	5665
BXSSRH3642	5786
BXSSRH4230	5788
BXSSRH4236	5919
BXSSRH4242	6059
BXSSRH4830	5995
BXSSRH4836	6135
BXSSRH4842	6285

- Includes Stanisci Stainless Baffle ventilator
- Baffle base is a full liner (lights, switches, baffles) and only needs addition of a blower.



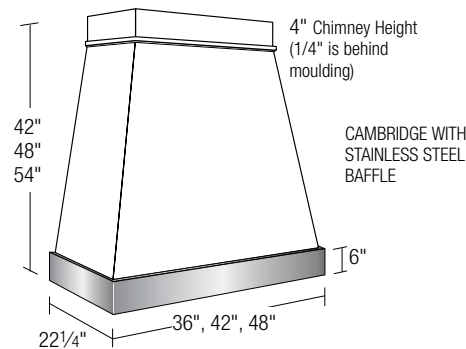
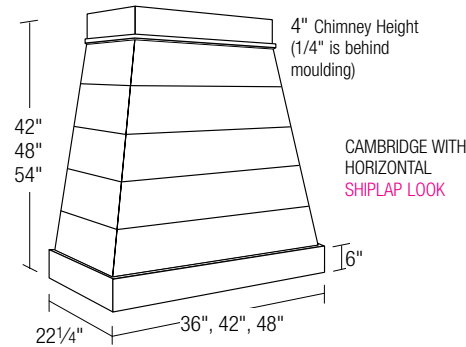
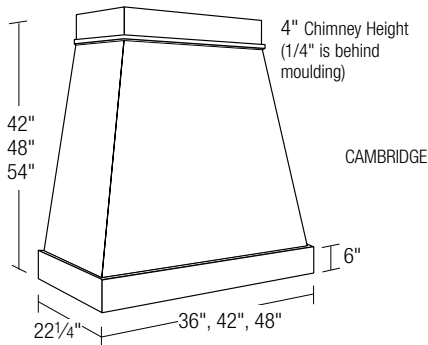
## Blower

	Price
MTR600	1145
MTR1200	2294

- MTR600: Requires 8" round duct
- MTR1200: Requires 10" round duct



# Wall Cabinets : Stanisci Range Hoods



## STANISCI CAMBRIDGE SERIES

- Wall-mount range hood
- Custom heights and widths available; see page 10.92 for Special Order Custom Wood Range Hoods
- For removable front access panel, see page 10.92
- Grain will be horizontal; for vertical grain see page 10.92
- Available in Oak, Maple, Cherry and Alder; not available in Red Birch, Wood Premium Walnut or Deluxe Veneers; Rustic Cherry will be clear Cherry; Rustic Alder will be clear Alder
- Cambridge (CHWRH) and Cambridge with Horizontal Shiplap Look (CHWHBRH) use SD Series Ventilators
- Cambridge with Stainless Steel Baffle (CSSRH) includes the Stanisci Stainless Baffle ventilator; must add a blower

## Stanisci Range Hood – Cambridge Series

SKU Wood Only

SKU Wood Only

**NEW!**

### Cambridge

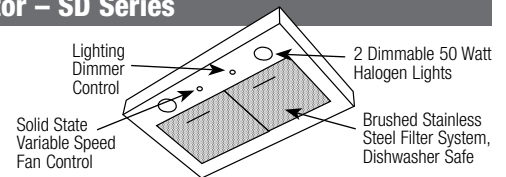
CHWRH3642	3195
CHWRH3648	3243
CHWRH3654	3292
CHWRH4242	3243
CHWRH4248	3292
CHWRH4254	3343
CHWRH4842	3292
CHWRH4848	3343
CHWRH4854	3394

### Cambridge with Horizontal Shiplap Look

CHWHBRH3642	3300
CHWHBRH3648	3348
CHWHBRH3654	3397
CHWHBRH4242	3348
CHWHBRH4248	3397
CHWHBRH4254	3448
CHWHBRH4842	3397
CHWHBRH4848	3448
CHWHBRH4854	3499

## Range Hood Ventilator – SD Series

	Price
SD600-36	4534
RB1000-36	7520
SD600-42	4686
RB1000-42	7676
SD600-48	4828
RB1000-48	7812
SD600-54	5009
RB1000-54	7995
SD600-60	5198
RB1000-60	8182



- Stainless Steel Liner
- Variable speed fan
- Two 50-watt halogen lights
- Specify width
- SD Ventilators Feature: full 300-series stainless construction, internal and remote blower units, made by Modemaire Ventilation

SD600 – 5.0 amps, 8" round duct, 600 CFM

RB1000R – 7.0 amps, 10" round duct, 1200 CFM external unit

SKU Wood Only

### Cambridge with Stainless Steel Baffle

CSSRH3642	6175
CSSRH3648	6223
CSSRH3654	6272
CSSRH4242	6341
CSSRH4248	6390
CSSRH4254	6441
CSSRH4842	6448
CSSRH4848	6498
CSSRH4854	6549

- Includes Stanisci Stainless Baffle ventilator
- Baffle base is a full liner (lights, switches, baffles) and only needs addition of a blower

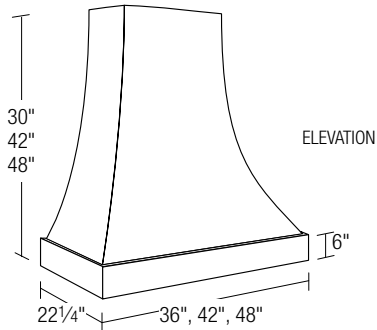


## Blower

	Price
MTR600	1145
MTR1200	2294

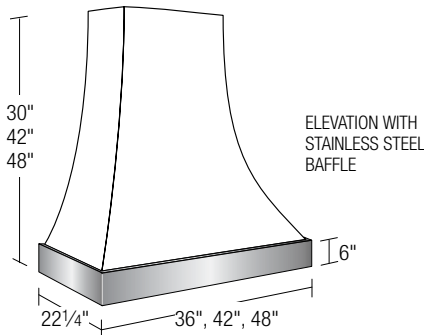
- MTR600: Requires 8" round duct
- MTR1200: Requires 10" round duct

# Wall Cabinets : Stanisci Range Hoods



## STANISCI ELEVATION SERIES

- Wall-mount range hood
- Custom heights and widths available; see page 10.92 for Special Order Custom Wood Range Hoods
- Should not be field trimmed
- Removable access panel not available
- Grain will be vertical
- Available in Oak, Maple, Cherry and Alder; not available in Red Birch, Wood Premium Walnut or Deluxe Veneers; Rustic Cherry will be clear Cherry; Rustic Alder will be clear Alder
- Elevation (EHWRH) uses SD Series Ventilators
- Elevation with Stainless Steel Baffle (ESSRH) includes the Stanisci Stainless Baffle ventilator; must add a blower



## Stanisci Range Hood – Elevation Series

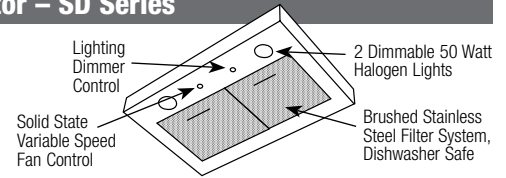
SKU Wood Only

### Elevation

EHWRH3630	7028
EHWRH3642	7228
EHWRH3648	7328
EHWRH4230	7188
EHWRH4242	7388
EHWRH4248	7488
EHWRH4830	7348
EHWRH4842	7548
EHWRH4848	7648

## Range Hood Ventilator – SD Series

	Price
SD600-36	4534
RB1000-36	7520
SD600-42	4686
RB1000-42	7676
SD600-48	4828
RB1000-48	7812
SD600-54	5009
RB1000-54	7995
SD600-60	5198
RB1000-60	8182



- Stainless Steel Liner
- Variable speed fan
- Two 50-watt halogen lights
- Specify width
- SD Ventilators Feature: full 300-series stainless construction, internal and remote blower units, made by Modenaire Ventilation

SD600 – 5.0 amps, 8" round duct, 600 CFM

RB1000R – 7.0 amps, 10" round duct, 1200 CFM **external unit**

SKU Wood Only

## Elevation with Stainless Steel Baffle

ESSRH3630	10008
ESSRH3642	10208
ESSRH3648	10308
ESSRH4230	10286
ESSRH4242	10486
ESSRH4248	10586
ESSRH4830	10503
ESSRH4842	10703
ESSRH4848	10803

- Includes Stanisci Stainless Baffle ventilator
- Baffle base is a full liner (lights, switches, baffles) and only needs addition of a blower

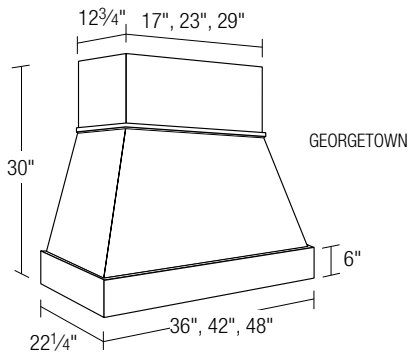


## Blower

	Price
MTR600	1145
MTR1200	2294

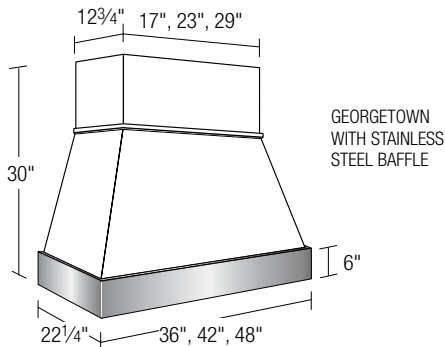
- MTR600: Requires 8" round duct
- MTR1200: Requires 10" round duct

# Wall Cabinets : Stanisci Range Hoods



## STANISCI GEORGETOWN SERIES

- Wall-mount range hood
- Custom heights and widths available; see page 10.92 for Special Order Custom Wood Range Hoods
- For removable front access panel, see page 10.92
- Grain will be vertical
- Chimney height is trimmable
- Available in Oak, Maple, Cherry and Alder; not available in Red Birch, Wood Premium Walnut or Deluxe Veneers; Rustic Cherry will be clear Cherry; Rustic Alder will be clear Alder
- Georgetown (GHWRH) uses SD Series Ventilators
- Georgetown with Stainless Steel Baffle (GSSRH) includes the Stanisci Stainless Baffle ventilator; must add a blower



## Stanisci Range Hood – Georgetown Series

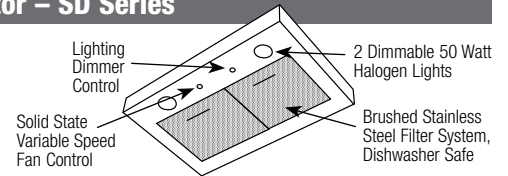
SKU Wood Only

### Georgetown

GHWRH36	2620
GHWRH42	2712
GHWRH48	2804

## Range Hood Ventilator – SD Series

	Price
SD600-36	4534
RB1000-36	7520
SD600-42	4686
RB1000-42	7676
SD600-48	4828
RB1000-48	7812
SD600-54	5009
RB1000-54	7995
SD600-60	5198
RB1000-60	8182



- Stainless Steel Liner
- Variable speed fan
- Two 50-watt halogen lights
- Specify width
- SD Ventilators Feature: full 300-series stainless construction, internal and remote blower units, made by Modernaire Ventilation

SD600 – 5.0 amps, 8" round duct, 600 CFM

RB1000R – 7.0 amps, 10" round duct, 1200 CFM **external unit**

SKU Wood Only

## Georgetown with Stainless Steel Baffle

GSSRH36	5600
GSSRH42	5810
GSSRH48	5959

- Includes Stanisci Stainless Baffle ventilator
- Baffle base is a full liner (lights, switches, baffles) and only needs addition of a blower

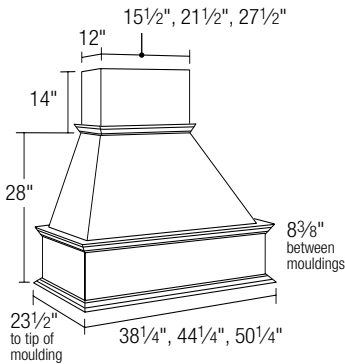
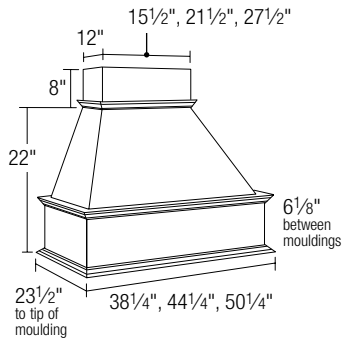


## Blower

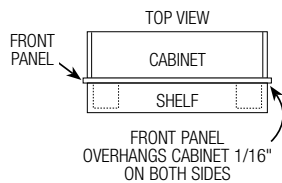
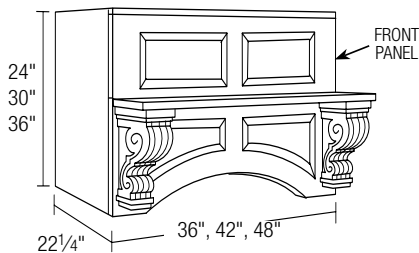
	Price
MTR600	1145
MTR1200	2294

- MTR600: Requires 8" round duct
- MTR1200: Requires 10" round duct

# Wall Cabinets : Stanisci Range Hoods

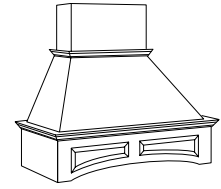
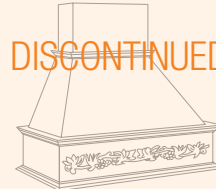
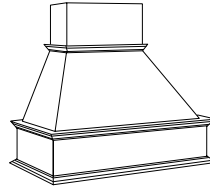


- Height is trimmable
- Not available in Red Birch, Wood Premium Walnut or Deluxe Veneers; Rustic Cherry will be clear Cherry; Rustic Alder will be clear Alder
- Modifications not available
- Use with SD Series Ventilators
- For removable front access panel, add "AP" suffix; \$397



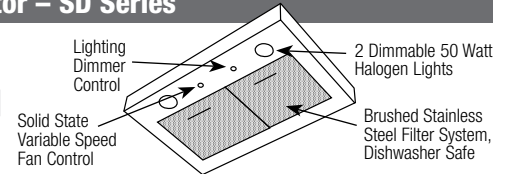
## Stanisci Wood Range Hoods

SKU	Wood Only	SKU	Wood Only	SKU	Wood Only
<b>Range Hood</b>					
RH3622	3925	<b>Range Hood with Grape Only</b>		<b>Range Hood with Arched Raised Panel</b>	
RH4222	4022	RHO3622	4545	ARH3624	4655
RH4822	4123	RHO4222	4634	ARH4224	4783
RH3628	4199	RHO4822	4705	ARH4824	4905
RH4228	4301	RHO3628	4793	ARH3628	4941
RH4828	4395	RHO4228	4881	ARH4228	5065
		RHO4828	4965	ARH4828	5185



## Range Hood Ventilator – SD Series

	Price
SD600-36	4534
RB1000-36	7520
SD600-42	4686
RB1000-42	7676
SD600-48	4828
RB1000-48	7812
SD600-54	5009
RB1000-54	7995
SD600-60	5198
RB1000-60	8182



- Stainless Steel Liner
  - Variable speed fan
  - Two 50-watt halogen lights
  - Specify width
  - SD Ventilators Feature: full 300-series stainless construction, internal and remote blower units, made by Modernaire Ventilation
- SD600 – 5.0 amps, 8" round duct, 600 CFM  
RB1000R – 7.0 amps, 10" round duct, 1200 CFM external unit

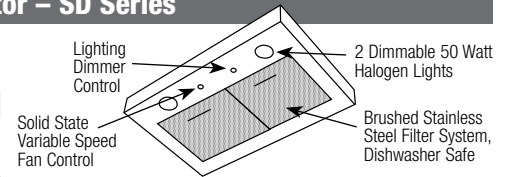
## Stanisci Decorative Range Hood with Corbels

SKU	Wood Only
DRH3624	6842
DRH4224	6942
DRH4824	7027
DRH3630	6842
DRH4230	6942
DRH4830	7027
DRH3636	6842
DRH4236	6942
DRH4836	7027

- Not available in Red Birch, Wood Premium Walnut or Deluxe Veneers; Rustic Cherry will be clear Cherry; Rustic Alder will be clear Alder
- Front panel above shelf is removable for ventilator installation and is 1/8" wider than cabinet; panel overhangs 1/16" on each side
- Front panel is two-piece construction as shown in the drawing. For a one-piece panel, please use the Custom Hood Program on page 10.92
- Matching Stanisci Corbels available; see page 16.20
- Modifications not available
- Use with SD Series Range Hood Ventilators; see below
- All hoods have raised panels and are not door style specified

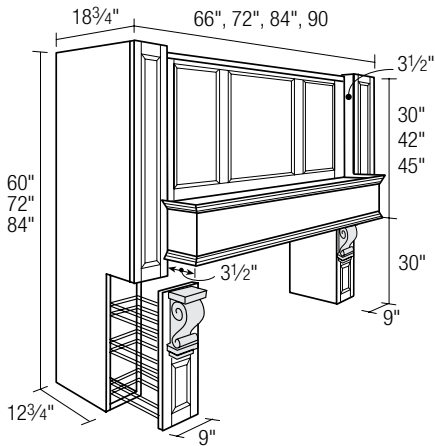
## Range Hood Ventilator – SD Series

	Price
SD600-36	4534
RB1000-36	7520
SD600-42	4686
RB1000-42	7676
SD600-48	4828
RB1000-48	7812
SD600-54	5009
RB1000-54	7995
SD600-60	5198
RB1000-60	8182



- Stainless Steel Liner
  - Variable speed fan
  - Two 50-watt halogen lights
  - Specify width
  - SD Ventilators Feature: full 300-series stainless construction, internal and remote blower units, made by Modernaire Ventilation
- SD600 – 5.0 amps, 8" round duct, 600 CFM  
RB1000R – 7.0 amps, 10" round duct, 1200 CFM external unit

# Wall Cabinets : Stanisci Range Hoods



## Stanisci Grotto Wood Range Hood

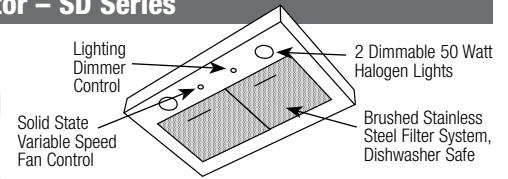
SKU	Wood Only
GRH6660	11425
GRH7260	11775
GRH8460	12126
GRH9060	12556
GRH6672	11532
GRH7272	12105
GRH8472	12680
GRH9072	13157
GRH6684	12446
GRH7284	12867
GRH8484	13292
GRH9084	13819

- Not available in Red Birch, Wood Premium Walnut or Deluxe Veneers; Rustic Cherry will be clear Cherry; Rustic Alder will be clear Alder
- Modifications not available
- 2" fixed top rail to mount crown moulding
- 7" shelf plus 1 1/8" moulding
- Removable access panel
- Chrome wire pull-out
- All hoods have raised panels and are not door style specified
- Shipped in four parts

36" Hood uses 36" Ventilator      72" Hood uses 54" Ventilator  
 42" Hood uses 42" Ventilator      84" Hood uses 60" Ventilator  
 48" Hood uses 48" Ventilator      90" Hood uses 60" Ventilator  
 66" Hood uses 48" Ventilator

## Range Hood Ventilator – SD Series

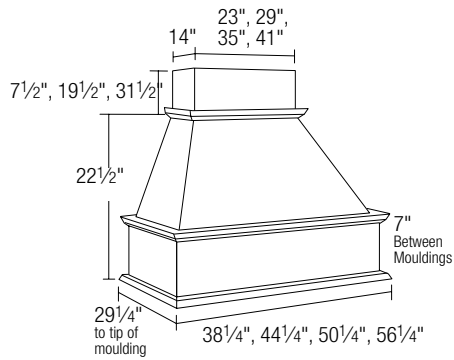
	Price
SD600-36	4534
RB1000-36	7520
SD600-42	4686
RB1000-42	7676
SD600-48	4828
RB1000-48	7812
SD600-54	5009
RB1000-54	7995
SD600-60	5198
RB1000-60	8182



- Stainless Steel Liner
- Variable speed fan
- Two 50-watt halogen lights
- Specify width
- SD Ventilators Feature: full 300-series stainless construction, internal and remote blower units, made by Modernaire Ventilation

SD600 – 5.0 amps, 8" round duct, 600 CFM  
 RB1000R – 7.0 amps, 10" round duct, 1200 CFM **external unit**

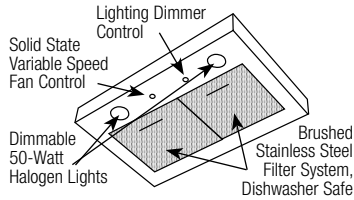
# Wall Cabinets : Stanisci Island Range Hoods



- Not trimmable
- Not available in Red Birch, Wood Premium Walnut or Deluxe Veneers; Rustic Cherry will be clear Cherry; Rustic Alder will be clear Alder
- Modifications not available
- Use with IV Series Island Range Hood Ventilator
- For removable front access panel, add "AP" suffix; \$397

## Range Hood Ventilator – IV Series Island

	Price
IV600-36	4006
IV1000-36	5586
IV600-42	4199
IV1000-42	5776
IV600-48	4344
IV1000-48	5919



- Use 48" Ventilator for 54" Island Range Hoods
- Stainless steel liner
- Variable speed fan
- Two 50-watt halogen lights
- Specify width
- IV Ventilators Feature:
  - Full 300 Series Stainless Construction
  - Internal and Remote Blower Units
  - Manufactured by Modemaire Ventilation

IV600 – 5.0 amps, 8" round duct, 600 CFM

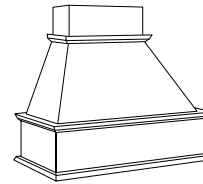
IV1000 – 7.0 amps, 10" round duct, 1200 CFM **external unit**

## Stanisci Wood Island Range Hoods

SKU Wood Only

### Island Range Hood

IRH3630	7658
IRH4230	7865
IRH4830	8075
IRH5430	9407
IRH3642	7658
IRH4242	7865
IRH4842	8075
IRH5442	9407
IRH3654	7658
IRH4254	7865
IRH4854	8075
IRH5454	9407



ISLAND RANGE HOOD



DISCONTINUED  
DECORATIVE ISLAND RANGE HOOD

SKU Wood Only

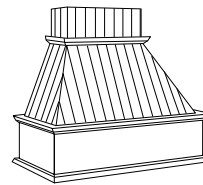
### Decorative Island Range Hood

IRH03630	9605
IRH04230	9799
IRH04830	9995
IRH05430	11918
IRH03642	9605
IRH04242	9799
IRH04842	9995
IRH05442	11918
IRH03654	9605
IRH04254	9799
IRH04854	9995
IRH05454	11918

SKU Wood Only

### Beaded Island Range Hood

IRHB3630	8384
IRHB4230	8579
IRHB4830	8783
IRHB5430	10417
IRHB3642	8384
IRHB4242	8579
IRHB4842	8783
IRHB5442	10417
IRHB3654	8384
IRHB4254	8579
IRHB4854	8783
IRHB5454	10417



BEADED ISLAND RANGE HOOD



DISCONTINUED  
DECORATIVE BEADED ISLAND RANGE HOOD

SKU Wood Only

### Decorative Beaded Island Range Hood

IRHB03630	10207
IRHB04230	10397
IRHB04830	10588
IRHB05430	12462
IRHB03642	10207
IRHB04242	10397
IRHB04842	10588
IRHB05442	12462
IRHB03654	10207
IRHB04254	10400
IRHB04854	10588
IRHB05454	12462

## Stanisci Special Order Custom Wood Range Hoods

### Special Order Custom Wood Range Hoods

We have partnered with Stanisci Design – a leader in high quality hoods – to make available Special Order Custom Range Hoods. This program gives you further flexibility to provide custom designs at competitive semi-custom prices. Use this program to order special range hoods not otherwise offered in this catalog.

#### Direct Support From Stanisci

Using their 2020 Catalog, you will work directly with Stanisci for engineering support for custom specifications and fast service. Download the Stanisci 2020 Catalog from the catalogs page at [www.wood-hood.com](http://www.wood-hood.com). Contact Stanisci directly at 248-572-6880 and advise them you are our customer interested in a range hood not otherwise offered in our catalog.

#### Ordering Process

Once correct technical specifications have been determined, a Reference Number will be assigned to your specific range hood (and Ventilator if needed). Stanisci will provide you with a Reference Sheet including a Technical Drawing and any extended lead-time information. Stanisci will also send this Reference Sheet directly to us and we will automatically provide the list price and Confirming Drawing to you.

The signed Confirming Drawing should be sent to us with your cabinet order on our standard Order Form.

The SKU# is Stanisci Hood + Reference Number  
Example: Stanisci Hood 24628 - E

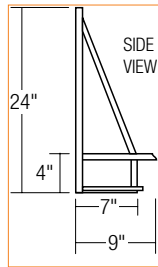
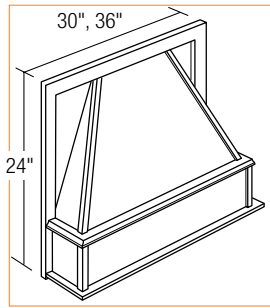
The Special Order Range Hood should be on the same order form as the remaining cabinets if the remaining cabinets are to be shipped at the same time. If the cabinets are to ship in standard lead-time and the range hood is on extended schedule, they should be ordered on separate Order Forms.

Please call your Customer Service Representative at 800.803.2315 for further questions.

**STANISCI**  
DESIGN

Telephone: 248-572-6880  
[www.wood-hood.com](http://www.wood-hood.com)

# Wall Cabinets : Traditional Range Hoods



## Traditional Wood Range Hood

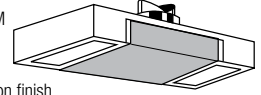
SKU	Wood Only
TRHC30	1719
TRHC36	1943

- Liner provided
- Use with BLW/DCK Range Hood Ventilator
- Available in Oak, Maple, Cherry and Alder; Rustic Alder and Rustic Cherry will be built of clear Alder and clear Cherry
- Not available in Red Birch, Wood Premium Walnut or Deluxe Veneers

## Range Hood Ventilator

	Price
BLW350	531
DCK-2	314

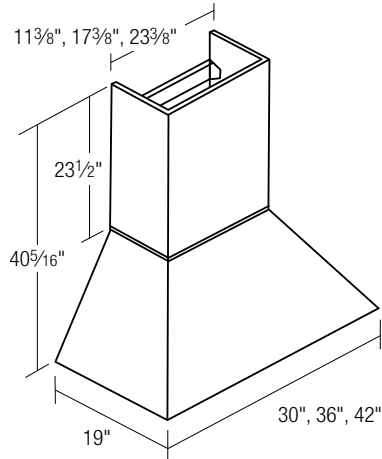
- Use with TRH only
- Two-speed fan (350) CFM
- Push-button controls
- Vents over 7" round duct
- Grey/Stainless combination finish
- Requires two 60 watt lamps (not included)
- Wrap-around aluminum mesh grease filter
- Ductless conversion kit available (DCK-1)



# Wall Cabinets : Omega Range Hoods

FOR ALL OMEGA WOOD RANGE HOODS

- Easy installation/removal for inspection
- Oak, Maple, Cherry and Alder only; not available in Red Birch, Wood Premium Walnut or Deluxe Veneers
- Order RHVB Blower separately
- Liner is included with hood
- No modifications

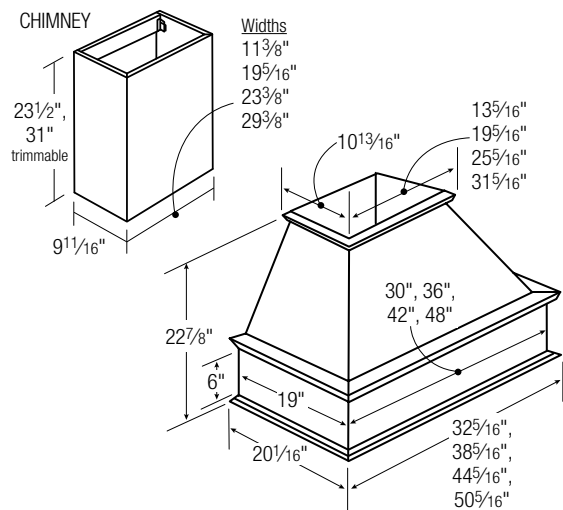


## Omega Linear Wood Range Hood

SKU	Wood Only	
OLRH3040	2117	• Exhaust system not included
OLRH3640	2170	• Silver metallic liner included; assembly required
OLRH4240	2250	• Liner opening size: 10 1/4" deep x 19 1/2" wide

## Blower

	SKU	Price	
390 CFM Model	RHVBB20SM	939	• 390 CFM Model: Silver Metallic finish, dual 40-watt lighting (not included), 3-speed, 6" duct
500 CFM Model	RHVBB30SS	1799	• 500 CFM Model: Stainless Steel finish, two 20-watt halogen bulbs included, push-button controls, 6" duct



## Omega Range Hood

### Range Hood

SKU	Wood Only
ORHB3054	2531
ORHB3654	2567
ORHB4254	2771
ORHB4854	2981

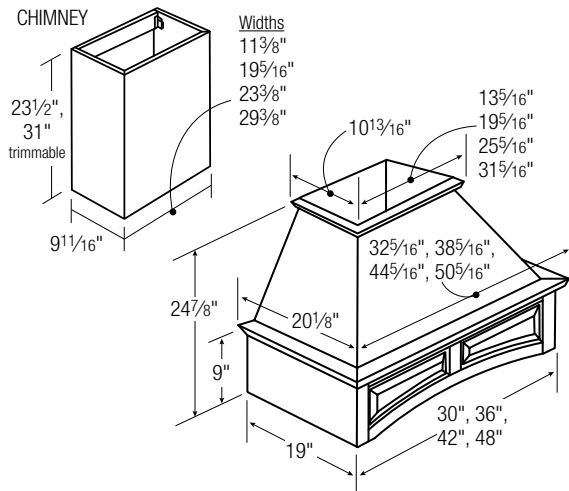
### Chimney

Widths	SKU	Price
11 3/8" for ORHB3054	CHIMNEY30	562
19 5/16" for ORHB3654	CHIMNEY36	645
23 3/8" for ORHB4254	CHIMNEY42	799
29 3/8" for ORHB4854	CHIMNEY48	828

- Order Chimney separately

## Blower

	SKU	Price	
390 CFM Model	RHVBB20SM	939	• 390 CFM Model: Silver Metallic finish, dual 40-watt lighting (not included), 3-speed, 6" duct
500 CFM Model	RHVBB30SS	1799	• 500 CFM Model: Stainless Steel finish, two 20-watt halogen bulbs included, push-button controls, 6" duct



## Omega Arched Range Hood

### Range Hood

SKU	Wood Only
OARHB3055	2770
OARHB3655	2805
OARHB4255	3010
OARHB4855	3337

### Chimney

Widths	SKU	Price
11 3/8" for OARHB3055	CHIMNEY30	562
19 5/16" for OARHB3655	CHIMNEY36	645
23 3/8" for OARHB4255	CHIMNEY42	799
29 3/8" for OARHB4855	CHIMNEY48	828

- Order Chimney separately

## Blower

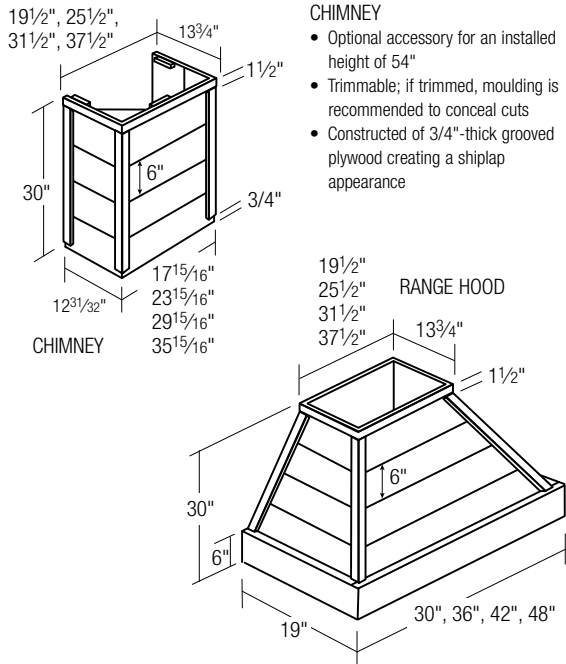
	SKU	Price	
390 CFM Model	RHVBB20SM	939	• 390 CFM Model: Silver Metallic finish, dual 40-watt lighting (not included), 3-speed, 6" duct
500 CFM Model	RHVBB30SS	1799	• 500 CFM Model: Stainless Steel finish, two 20-watt halogen bulbs included, push-button controls, 6" duct



# Wall Cabinets : Omega Range Hoods

FOR ALL OMEGA WOOD RANGE HOODS

- Easy installation/removal for inspection
- Oak, Maple, Cherry and Alder only; not available in Red Birch, Wood Premium Walnut or Deluxe Veneers
- Order RHVB Blower separately
- Liner is included with hood
- No modifications



## Omega Tapered Shiplap Wood Range Hood

### Range Hood

SKU	Wood Only
OTSLRH3054	2299
OTSLRH3654	2347
OTSLRH4254	2468
OTSLRH4854	2627

### Chimney

Widths	SKU	Price
17 <sup>11</sup> / <sub>32</sub> " for OTSLRH3054	CHIMNEYSL30	1080
23 <sup>11</sup> / <sub>32</sub> " for OTSLRH3654	CHIMNEYSL36	1201
29 <sup>11</sup> / <sub>32</sub> " for OTSLRH4254	CHIMNEYSL42	1199
35 <sup>11</sup> / <sub>32</sub> " for OTSLRH4854	CHIMNEYSL48	1230

### Blower

SKU	Price
390 CFM Model RHVBB20SM	939
500 CFM Model RHVBB30SS	1799

- 390 CFM Model: Silver Metallic finish, dual 40-watt lighting (not included), 3-speed, 6" duct
- 500 CFM Model: Stainless Steel finish, two 20-watt halogen bulbs included, push-button controls, 6" duct

### RANGE HOOD

- Order Chimney separately
- Freestanding unit; must be properly secured to wall and cannot be attached to adjacent cabinets
- Exhaust system not included
- Square silver metallic liner included; assembly required
- Liner opening size: 10<sup>1</sup>/<sub>4</sub>" deep x 19<sup>1</sup>/<sub>2</sub>" wide
- Constructed of 3/4"-thick grooved plywood creating a shiplap appearance

## Omega Straight Shiplap Wood Range Hood

SKU	Wood Only
OSSLRH3642	2323
OSSLRH4242	2423
OSSLRH4842	2571

- Freestanding unit; must be properly secured to wall and cannot be attached to adjacent cabinets
- Exhaust system not included
- Square silver metallic liner included; assembly required
- Liner opening size: 10<sup>1</sup>/<sub>4</sub>" deep x 19<sup>1</sup>/<sub>2</sub>" wide
- Constructed of 3/4"-thick grooved plywood creating a shiplap appearance

### Blower

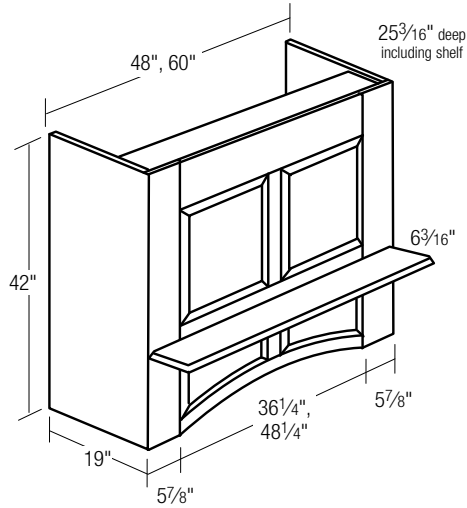
SKU	Price
390 CFM Model RHVBB20SM	939
500 CFM Model RHVBB30SS	1799

- 390 CFM Model: Silver Metallic finish, dual 40-watt lighting (not included), 3-speed, 6" duct
- 500 CFM Model: Stainless Steel finish, two 20-watt halogen bulbs included, push-button controls, 6" duct

# Wall Cabinets : Omega Range Hoods

FOR ALL OMEGA WOOD RANGE HOODS

- Easy installation/removal for inspection
- Oak, Maple, Cherry and Alder only; not available in Red Birch, Wood Premium Walnut or Deluxe Veneers
- Order RHVB Blower separately
- Liner is included with hood
- No modifications

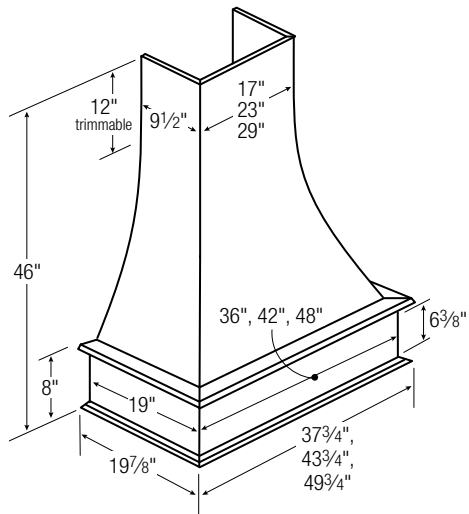


## Omega Decorative Wood Range Hood

SKU	Wood Only	
ODRH4842	4403	• Raised panel is not door style specific
ODRH6042	5474	

## Blower

	SKU	Price	
390 CFM Model	RHVBB20SM	939	• 390 CFM Model: Silver Metallic finish, dual 40-watt lighting (not included), 3-speed, 6" duct
500 CFM Model	RHVBB30SS	1799	• 500 CFM Model: Stainless Steel finish, two 20-watt halogen bulbs included, push-button controls, 6" duct



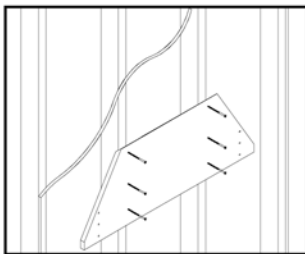
## Omega Artisan Wood Range Hood

SKU	Wood Only	
OARTRH3646	3688	
OARTRH4246	3809	
OARTRH4846	4164	

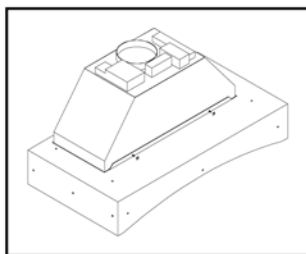
## Blower

	SKU	Price	
390 CFM Model	RHVBB20SM	939	• 390 CFM Model: Silver Metallic finish, dual 40-watt lighting (not included), 3-speed, 6" duct
500 CFM Model	RHVBB30SS	1799	• 500 CFM Model: Stainless Steel finish, two 20-watt halogen bulbs included, push-button controls, 6" duct

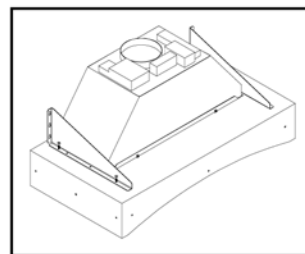
# Wall Cabinets : Omega Range Hoods Installation Instructions



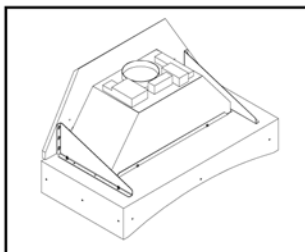
**Step 1:**  
Screw mounting plate to wall



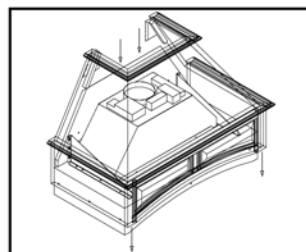
**Step 2:**  
Assemble blower unit (sold separately) to metal liner



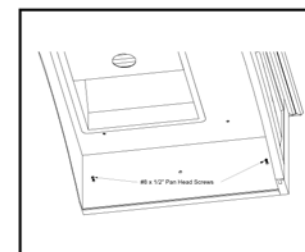
**Step 3:**  
Fasten metal mounting brackets to liner



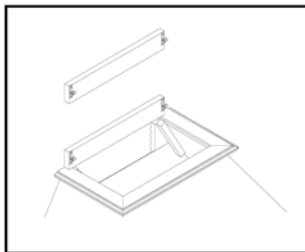
**Step 4:**  
Hang the liner/bracket assembly on the mounting plate (make all electrical and ventilation connections at this point)



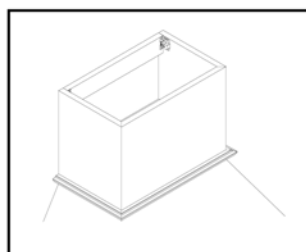
**Step 5:**  
Slip the wood range hood on top of the mounting plate



**Step 6:**  
Fasten wood range hood to liner with (4) screws



**Step 7:**  
If using a chimney (sold separately) mount blocks to wall



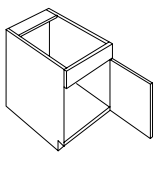
**Step 8:**  
Snap chimney in place

# Table of Contents – Bases

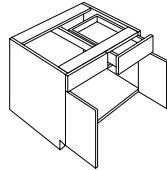
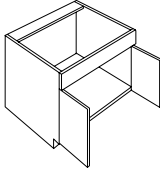
Click on any item to jump to that item's first page.

## Sink Base Cabinets

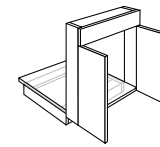
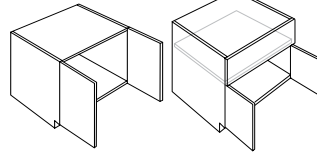
Typical dimensions: 18"-48"w, 34 1/2"h, 24"d



Sink/Range Base (Full-height door option)  
sku ex: SB36

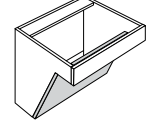


Sink Base w/Top Drawer  
sku ex: SB36FF

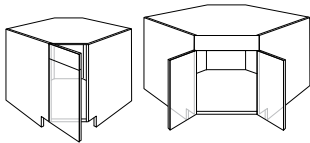


Farm/Country Sink Base  
sku ex: FSB36, CNTYSB36

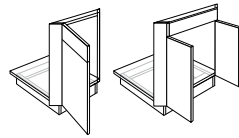
Sink Front  
(Full-height door option)  
sku ex: SF36



ADA Sink Base  
ex: RSB36/SSI36



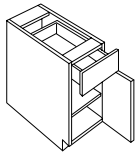
Diagonal Corner Sink Base  
(Full-height door option)  
sku ex: DCSB36



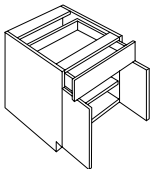
Diagonal Corner Sink Front  
(Full-height door option)  
sku ex: DCSF36

## General Base Cabinets

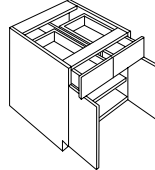
Typical dimensions: 18"-48"w, 34 1/2"h, 24"d



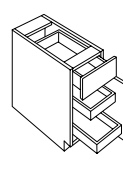
Base Cabinet  
(Full-height door option)  
sku ex: B36



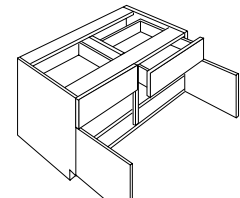
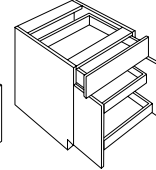
2-Tier Drawer Base  
sku ex: B2T24



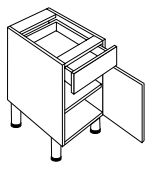
Base w/Split Top Drawer  
sku ex: B36S



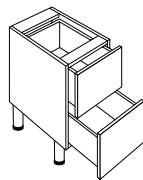
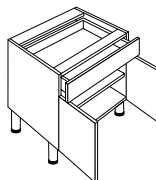
Base with Pull-outs  
(Full-height door, Kessebohmer options)  
sku ex: BP036



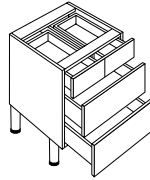
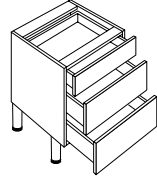
Base 39"-48" Wide  
(Full-height door option)  
sku ex: SB48



Euro Island Bases (Full-height door option)  
sku ex: EIB18, EIB36, EIB36S

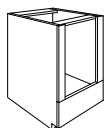


Euro Island Drawer Bases  
sku ex: EIDB36-2D, EIDB36, EIDB36S

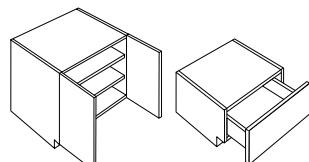


## Appliance Base Cabinets

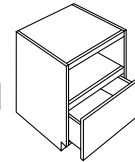
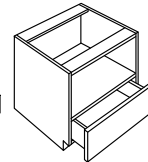
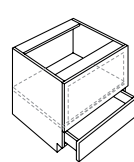
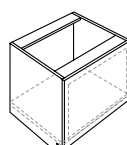
Typical dimensions: 18"-48"w, 15"-40"h, 24"-27"d



Raised Dishwasher Base  
sku ex: RDW27



Range Bases  
sku ex: RTB36, RFDB36



Microwave Bases  
sku ex: OVB30, MWB30, MMWB30, MWPODB30

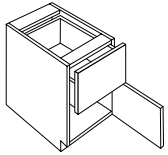
*continued >>>*

# Table of Contents – Bases

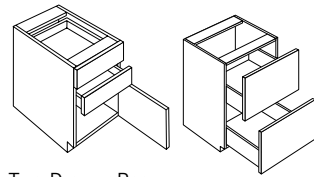
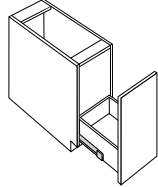
Click on any item to jump to that item's first page.

## Drawer Base Cabinets

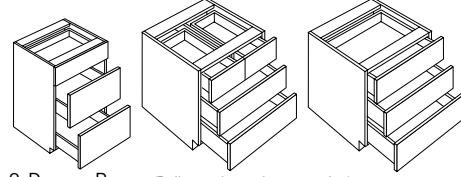
Typical dimensions: 15"-42"w, 34<sup>1</sup>/<sub>2</sub>"h, 24"d



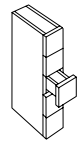
**One-Drawer Base**  
(Pull-out above drawer option)  
sku ex: B18-1D, B24FH1D



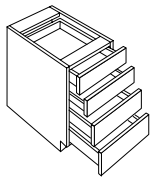
**Two-Drawer Base**  
(Pull-out above drawer option)  
sku ex: B21-2D, B24-2D



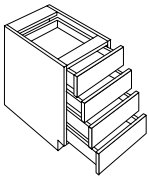
**3-Drawer Bases** (Pull-out above drawer option)  
sku ex: DB27, DB30S, DB33E



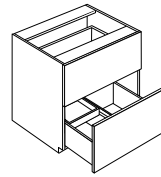
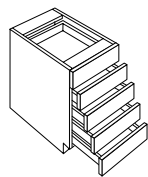
**Spice Drawers**  
sku ex: SDV30



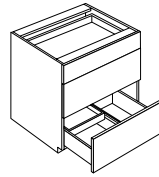
**4-Drawer Base**  
sku ex: DB36-4D, DB36-4DE



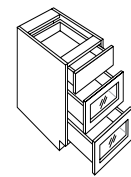
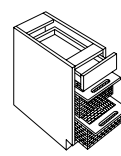
**5-Drawer Base**  
sku ex: DB24-5D



**2-Tier Pots-and Pans Drawers**  
(Pull-out above drawer option)  
sku ex: DB2T30-2D, DB2T30



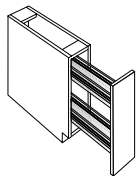
**Wicker Basket Base**  
sku ex: BBD18



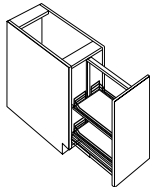
**Vegetable Drawer Base**  
sku ex: VEGDB24

## Accessory Base Cabinets

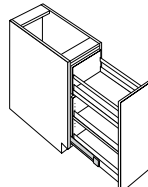
Typical dimensions: 15"-24"w, 34<sup>1</sup>/<sub>2</sub>"h, 24"d



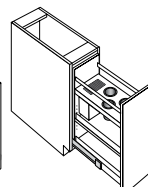
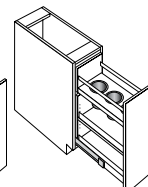
**Spice Pullout**  
sku ex: BSP06



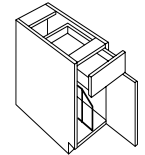
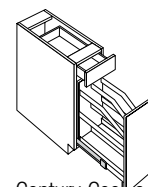
**Kessebohmer Pantry**  
sku ex: BPBC18



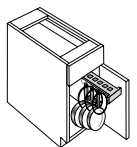
**Century Organizer Pull-outs**  
sku ex: BORG15CC, BCAN15CC, BKB15CC



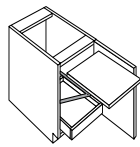
**Century Cookie Tray Pull-out**  
(Full-height door option)  
sku ex: BCT12CC



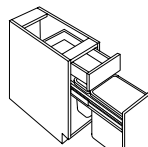
**Tray Base**  
(Full-height door option)  
sku ex: TB15



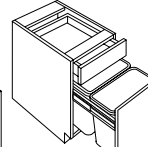
**Glideware Base**  
(Full-height door option)  
sku ex: B18GW



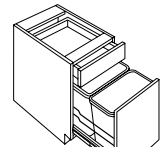
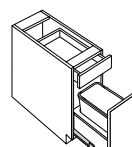
**Mixer Base**  
sku ex: MIX24



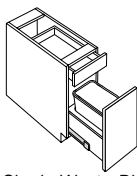
**Hanging Trash Bin Base**  
(Full-height door/Pull-out option)  
sku ex: BHTB21



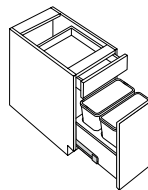
**Century Waste Bin Base**  
(Full-height door/Pull-out option)  
sku ex: BTB21CC



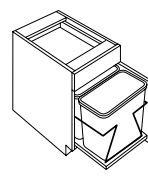
**Kessebohmer Waste Bin**  
(Full-height door/Pull-out option)  
sku ex: BTB21KSB



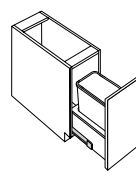
**Single Waste Bin Base**  
(Full-height door/Pull-out option)  
sku ex: BSWB18



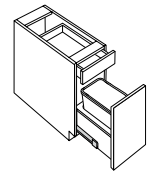
**Double Waste Bin Base**  
(Full-height door/Pull-out option)  
sku ex: BDWB18



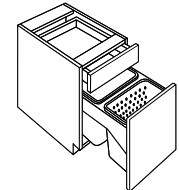
**Recycle Bin Base**  
(Full-height door/Pull-out option)  
sku ex: BREC18



**Desk Waste Basket**  
sku ex: DWB18FH



**Vanity Waste Bin Base**  
(Full-height door/Pull-out option)  
sku ex: VBWB18



**Hanging Hamper Cabinet**  
(Full-height door/Pull-out option)  
sku ex: HHC18

<<< continued

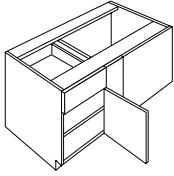
continued >>>

# Table of Contents – Bases

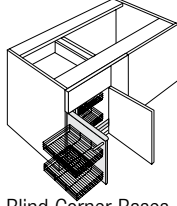
Click on any item to jump to that item's first page.

## Blind Corner Base Cabinets

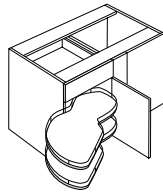
Typical dimensions: 36"-45"w, 34<sup>1</sup>/<sub>2</sub>"h, 24"d



Blind Corner Bases  
(Full-height door option)  
sku ex: BLB42



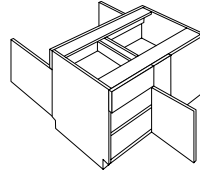
Blind Corner Bases  
w/Chrome Pull-outs  
(Full-height door option)  
sku ex: BLB42CPO



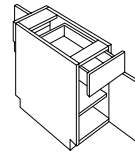
Kessebohmer Lemans  
Blind Corner Bases  
(Full-height door option)  
sku ex: BLB42LMS

## Peninsula Base Cabinets

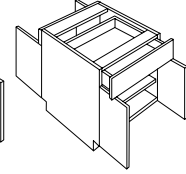
Typical dimensions: 18"-36"w, 34<sup>1</sup>/<sub>2</sub>"h, 24"d



Peninsula Blind Corner Base  
(Full-height door option)  
sku ex: BLPB39

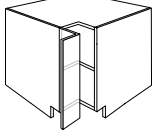


Peninsula Bases  
(Full-height door option)  
sku ex: PB1824

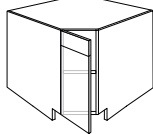


## Corner Base Cabinets

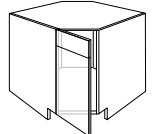
Typical dimensions: 36"-39"w, 34<sup>1</sup>/<sub>2</sub>"h, 24"d



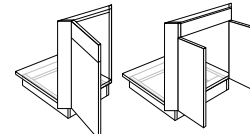
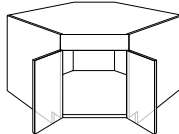
Corner Bases  
(Lazy Susan, Revolving  
Recycle Bins options)  
sku ex: CB36



Diagonal Corner Base  
(Full-height door, Lazy Susan,  
Revolving Recycle Bins option)  
sku ex: DCB36



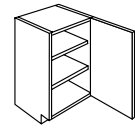
Diagonal Corner Sink Base  
(Full-height door option)  
sku ex: DCSB36



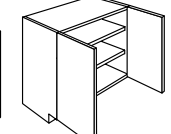
Diagonal Corner Sink Front  
(Full-height door option)  
sku ex: DCSF42

## Wall-depth Base Cabinets

Typical dimensions:  
12"-48"w, 34<sup>1</sup>/<sub>2</sub>"h, 12"d

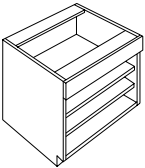


Wall-depth Bases  
sku ex: WB24

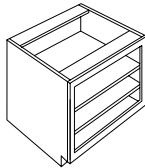


## Open Base Cabinets

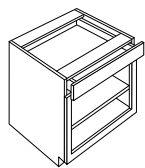
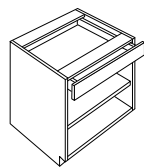
Typical dimensions: 24"-36"w, 34<sup>1</sup>/<sub>2</sub>"h, 24"d



Decorative Open Base  
(Valance, Shelf Edge, Frame options)  
sku ex: DOBC36, VFDOBC36

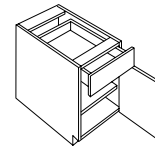


Decorative Open Base w/Drawer  
(Shelf Edge, Frame options)  
sku ex: DOBCD36, VFDOBCD36

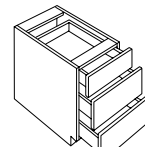


## Desk Base Cabinets

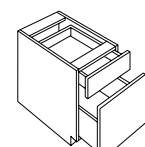
Typical dimensions: 12"-21"w, 28<sup>3</sup>/<sub>16</sub>"h, 21"-24"d



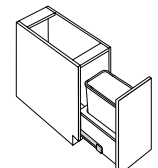
Desk Base  
(Full-height door option)  
sku ex: DBB21



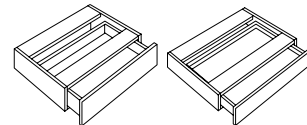
Desk Drawer Base  
sku ex: DDB21



Desk File Drawer  
sku ex: DFB21



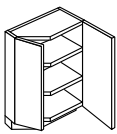
Desk Waste Basket  
sku ex: DWB18FH



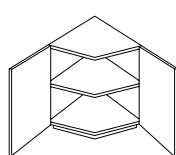
4" and 6" Hanging Drawers  
sku ex: HD21, VHD21

## End Base Cabinets

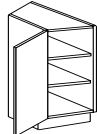
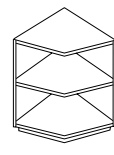
Typical dimensions: 12"-24"w, 34<sup>1</sup>/<sub>2</sub>"h, 24"d



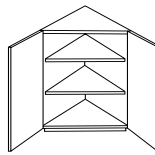
Transitional  
sku ex: TRB12



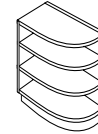
Base End  
sku ex: BEC, WNBEC



Angled  
sku ex: BEA12



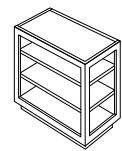
Triangle  
sku ex: BTC



Whatnot  
sku ex: BWN12



Peninsula Whatnot  
sku ex: PBWN



Whatnot w/Frame  
sku ex: FBWN12

<<< continued

# Base Cabinets : General Sink Bases

FOR ALL GENERAL SINK BASE CABINETS

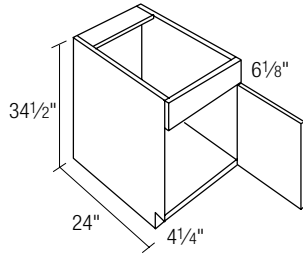
- Heat Shields shipped with Thermofoil sink bases
- Touch-up Kits packed inside Sink Base
- No line boring



## Tilt-out Tray Option

Add a factory-installed Tilt-out storage tray in Plastic or Stainless Steel

SKU	List Price
TILT P	132
TILT S	225



- Designate L/R hinge (right shown)

## Sink/Range Base – 18"-24" Wide

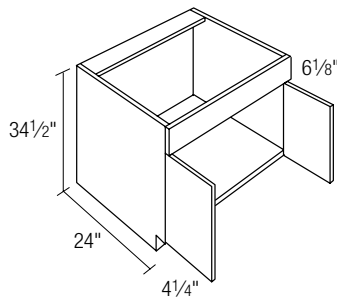
Price Grade	1	2	3	4	5	6	7	8	9
-------------	---	---	---	---	---	---	---	---	---

### Sink/Range Base – 18"-24" Wide

SB18	618	693	770	865	944	1035	1156	1263	1381
SB21	641	719	797	893	975	1068	1197	1309	1430
SB24-1	660	740	824	921	1005	1095	1234	1353	1478

### Sink/Range Base – 18"-24" Wide; with Full-Height Door

SB18FH	618	693	770	865	944	1035	1156	1263	1381
SB21FH	641	719	797	893	975	1068	1197	1309	1430
SB24-1FH	660	740	824	921	1005	1095	1234	1353	1478



- Vertical-grain drawer front on Thermofoil, Textured Melamine and UltraLux door styles is limited to 46 1/2" wide

## Sink/Range Base – 24"-48" Wide

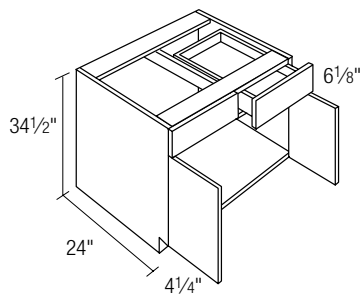
Price Grade	1	2	3	4	5	6	7	8	9
-------------	---	---	---	---	---	---	---	---	---

### Sink/Range Base – 24"-48" Wide

SB24	660	740	824	921	1005	1095	1234	1353	1478
SB27	680	765	851	949	1039	1136	1278	1400	1534
SB30	740	800	888	994	1084	1187	1335	1462	1603
SB33	776	842	940	1051	1153	1258	1416	1549	1698
SB36	800	863	961	1081	1183	1296	1456	1595	1747
SB39	841	912	1012	1136	1244	1361	1534	1678	1836
SB42	890	969	1078	1208	1320	1446	1631	1786	1956
SB45	910	990	1104	1238	1352	1480	1670	1829	2002
SB48	928	1013	1130	1267	1386	1514	1709	1872	2051

### Sink/Range Base – 24"-48" Wide; with Full-Height Door

SB24FH	660	740	824	921	1005	1095	1234	1353	1478
SB27FH	680	765	851	949	1039	1136	1278	1400	1534
SB30FH	740	800	888	994	1084	1187	1335	1462	1603
SB33FH	776	842	940	1051	1153	1258	1416	1549	1698
SB36FH	800	863	961	1081	1183	1296	1456	1595	1747
SB39FH	841	912	1012	1136	1244	1361	1534	1678	1836
SB42FH	890	969	1078	1208	1320	1446	1631	1786	1956
SB45FH	910	990	1104	1238	1352	1480	1670	1829	2002
SB48FH	928	1013	1130	1267	1386	1514	1709	1872	2051



- Designate "-L" or "-R" to identify the side with the FALSE drawer front (left shown)

## Sink Base with Top Drawer – 24"-48" Wide

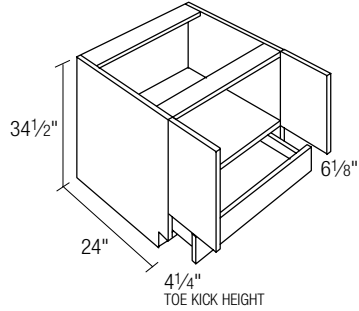
Price Grade	1	2	3	4	5	6	7	8	9
-------------	---	---	---	---	---	---	---	---	---

SB24FF	922	1003	1087	1184	1268	1358	1496	1616	1741
SB27FF	941	1028	1113	1213	1302	1398	1542	1662	1797
SB30FF	1003	1063	1151	1257	1348	1449	1599	1724	1866
SB33FF	1039	1105	1203	1315	1416	1522	1680	1812	1962
SB36FF	1063	1127	1224	1343	1446	1558	1719	1857	2009
SB39FF	1104	1175	1275	1398	1507	1625	1797	1941	2100
SB42FF	1153	1233	1340	1471	1582	1710	1893	2048	2218
SB45FF	1173	1253	1367	1501	1615	1742	1933	2093	2266
SB48FF	1190	1276	1393	1529	1649	1777	1971	2135	2314

# Base Cabinets : Sink Bases

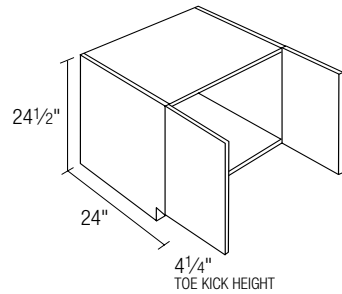
FOR ALL SINK BASE CABINETS

- Heat Shields shipped with Thermofoil-sink bases
- Tilt-outs not available
- Touch-up Kits packed inside Sink Base
- No line boring



## Sink Base with Bottom Drawer

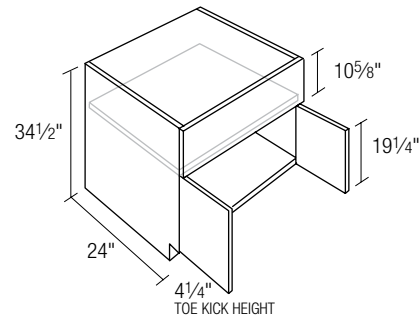
Price Grade	1	2	3	4	5	6	7	8	9
SBD30	831	914	1023	1152	1267	1393	1580	1742	1926
SBD36	893	978	1099	1236	1361	1500	1699	1872	2064



## Farm Sink Base

Price Grade	1	2	3	4	5	6	7	8	9
FSB30	709	767	852	950	1037	1136	1274	1394	1526
FSB36	771	834	930	1037	1136	1242	1394	1526	1673

- Specify height
- Height modification included in price
- Additional support may be required for heavier sinks



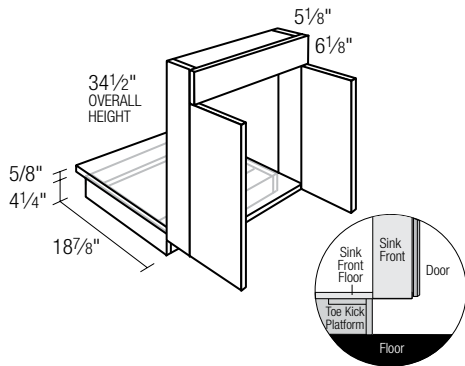
## Country Sink Base

Price Grade	1	2	3	4	5	6	7	8	9
CNTYSB30	740	800	888	994	1084	1187	1335	1462	1603
CNTYSB33	776	842	940	1051	1153	1258	1416	1549	1698
CNTYSB36	800	863	961	1081	1183	1296	1456	1595	1747
CNTYSB42	890	969	1078	1208	1320	1446	1631	1786	1956
CNTYSB48	928	1013	1130	1267	1386	1514	1709	1872	2051

- Cut out 3/4" square-edged front panel and top to accommodate sink or cooktop
- Fixed shelf at 10 1/2" from top to support sink or cooktop
- Vertical-grain front on Thermofoil, Textured Melamine and UltraLux door styles is limited to 46 1/2" wide
- Additional support may be required for heavier sinks



# Base Cabinets : Sink Front



- Heat Shields shipped with Thermofoil Sink Fronts
- Tilt-outs not available
- Sink Front Floor and Toe Kick Platform included
- Touch-Up Kit is shipped inside Sink Base
- Vertical-grain drawer front on Thermofoil, Textured Melamine and UltraLux door styles is limited to 46 1/2" wide

## Sink Front

Price Grade	1	2	3	4	5	6	7	8	9
-------------	---	---	---	---	---	---	---	---	---

Sink Front	1	2	3	4	5	6	7	8	9
SF24	362	394	434	483	533	579	660	723	797
SF27	375	404	449	502	547	596	677	746	818
SF30	383	415	460	515	561	611	691	761	837
SF33	392	423	472	530	578	629	712	781	862
SF36	404	436	483	538	589	643	727	802	884
SF39	414	445	498	557	607	660	746	818	904
SF42	422	458	510	572	625	680	770	847	931
SF45	435	470	520	585	637	694	790	867	954
SF48	444	479	532	596	654	712	806	888	977

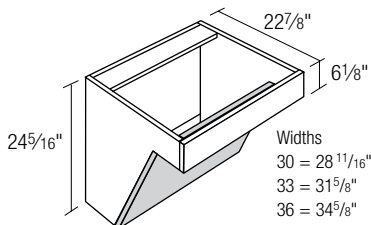
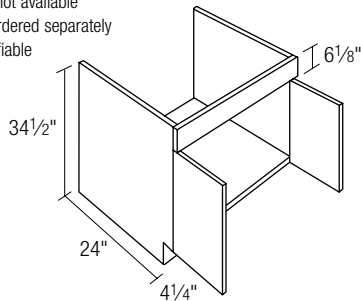
## Sink Front with Full-Height Door

Sink Front with Full-Height Door	1	2	3	4	5	6	7	8	9
SF24FH	362	394	434	483	533	579	660	723	797
SF27FH	375	404	449	502	547	596	677	746	818
SF30FH	383	415	460	515	561	611	691	761	837
SF33FH	392	423	472	530	578	629	712	781	862
SF36FH	404	436	483	538	589	643	727	802	884
SF39FH	414	445	498	557	607	660	746	818	904
SF42FH	422	458	510	572	625	680	770	847	931
SF45FH	435	470	520	585	637	694	790	867	954
SF48FH	444	479	532	596	654	712	806	888	977

# Base Cabinets : ADA Compatible Sink Bases

## BOTH CABINETS

- Tilt-outs not available
- Can be ordered separately
- Not modifiable



## INNER CABINET

- 6 1/8" high, 5/8"-thick coordinated false drawer front panel, not profiled
- Removable, 5/8"-thick coordinated access panel, not profiled
- Wood Premium available in Walnut

## ADA Compatible Sink Cabinet

Price Grade	1	2	3	4	5	6	7	8	9
-------------	---	---	---	---	---	---	---	---	---

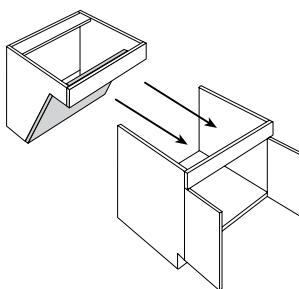
### Outer Cabinet

RSB30	561	577	627	680	724	773	854	922	1002
RSB33	570	586	636	692	741	793	876	945	1024
RSB36	581	597	651	701	751	804	890	964	1047

	Textured Melamine	Standard Melamine	Standard Thermofoil	Premium Thermofoil	Wood Wood	Wood Premium	Metal	UltraLux
--	-------------------	-------------------	---------------------	--------------------	-----------	--------------	-------	----------

### Inner Cabinet

SSI30	603	603	724	724	1096	978	1034	1096	1096
SSI33	646	646	775	775	1193	1060	1121	1193	1193
SSI36	697	697	836	836	1289	1143	1208	1289	1289

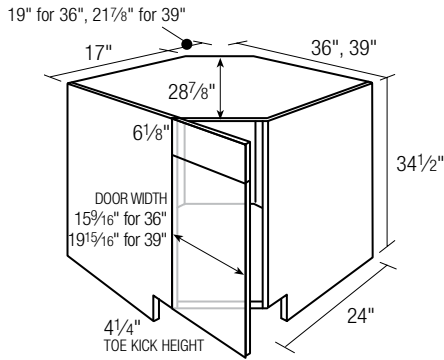
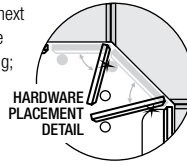


# Base Cabinets : Diagonal Corner Sink Bases

FOR ALL DIAGONAL CORNER SINK BASES

- Tilt-outs not available
- False drawer front standard
- Depth on both sides must be same dimension
- Heat Shields shipped with all Thermofoil Sink Bases
- Use Corner Cabinet Modification Form when requesting a modification; see [OneTouch](#)
- Not available in Finline, Slimline or Broadline Metal door styles

- Placement of decorative hardware next to a protruding cabinet or appliance may interfere with door fully opening; filler may be required; see detail



## Diagonal Corner Sink Base – 36"-39" Wide

Price Grade	1	2	3	4	5	6	7	8	9
-------------	---	---	---	---	---	---	---	---	---

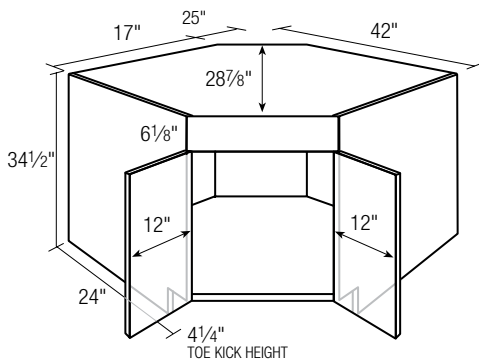
### Diagonal Corner Sink Base – 36"-39" Wide

DCSB36	890	975	1092	1227	1347	1475	1671	1833	2014
DCSB39	928	1017	1140	1279	1404	1543	1743	1911	2101

### Diagonal Corner Sink Base – 36"-39" Wide; with Full-Height Door

DCSB36FH	890	975	1092	1227	1347	1475	1671	1833	2014
DCSB39FH	928	1017	1140	1279	1404	1543	1743	1911	2101

- Designate L/R hinge (left shown)
- Plymouth, York and Frisco door styles are available only with Full-height Doors



## Diagonal Corner Sink Base – 42" Wide

Price Grade	1	2	3	4	5	6	7	8	9
-------------	---	---	---	---	---	---	---	---	---

### Diagonal Corner Sink Base – 42" Wide

DCSB42	970	1067	1187	1331	1465	1609	1819	1990	2195
--------	-----	------	------	------	------	------	------	------	------

### Diagonal Corner Sink Base – 42" Wide; with Full-Height Door

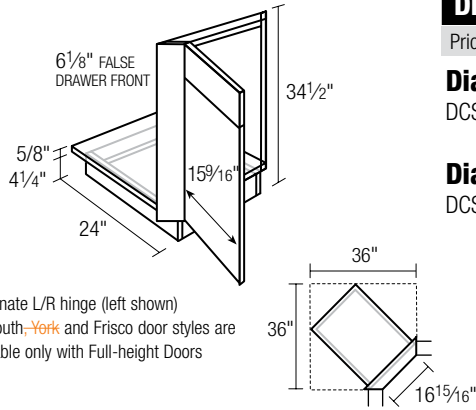
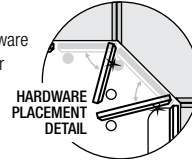
DCSB42FH	970	1067	1187	1331	1465	1609	1819	1990	2195
----------	-----	------	------	------	------	------	------	------	------

# Base Cabinets : Diagonal Corner Sink Fronts

FOR ALL DIAGONAL CORNER SINK FRONTS

- Sink Front Floor and Toe Kick Platform shipped unattached
- False Drawer Front standard
- Heat Shields shipped with all Thermofoil Sink Fronts
- Tilt-outs not available
- Not available in Finline, Slimline or Broadline Metal door styles

- Placement of decorative hardware next to a protruding cabinet or appliance may interfere with door fully opening; Filler may be required; see detail



- Designate L/R hinge (left shown)
- Plymouth, York and Frisco door styles are available only with Full-height Doors

## Diagonal Corner Sink Front – 36" Wide

Price Grade	1	2	3	4	5	6	7	8	9
-------------	---	---	---	---	---	---	---	---	---

### Diagonal Corner Sink Front – 36" Wide

DCSF36	385	411	450	501	537	584	652	707	770
--------	-----	-----	-----	-----	-----	-----	-----	-----	-----

### Diagonal Corner Sink Front – 36" Wide; with Full-Height Door

DCSF36FH	385	411	450	501	537	584	652	707	770
----------	-----	-----	-----	-----	-----	-----	-----	-----	-----

## Diagonal Corner Sink Front – 42" Wide

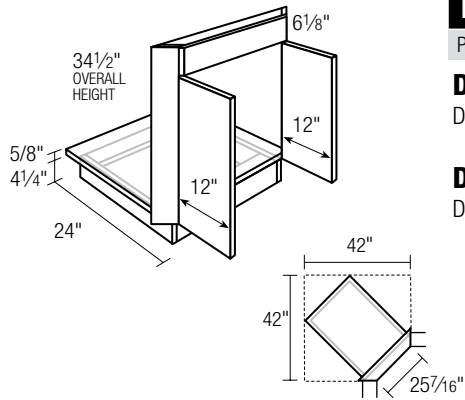
Price Grade	1	2	3	4	5	6	7	8	9
-------------	---	---	---	---	---	---	---	---	---

### Diagonal Corner Sink Front – 42" Wide

DCSF42	422	446	496	547	592	643	719	778	854
--------	-----	-----	-----	-----	-----	-----	-----	-----	-----

### Diagonal Corner Sink Front – 42" Wide; with Full-Height Door

DCSF42FH	422	446	496	547	592	643	719	778	854
----------	-----	-----	-----	-----	-----	-----	-----	-----	-----

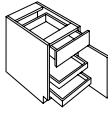


# Base Cabinets : General

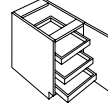
## FOR ALL GENERAL BASE CABINETS

- One adjustable shelf; two adjustable shelves with Full-Height Doors
- 39", 42", 45" and 48" wide have center support stile in coordinated wood veneer on Wood door styles; all other door styles have a white, grey or neutral birch stile
- Pull-outs not available on 39", 42", 45" and 48" wide

### Base Pull-out Option (factory installed)



Maximum Number of Pull-outs:  
3 in a Base with drawer.  
5 in a Base without drawer.



When one Pull-out is ordered it is placed in the bottom of the cabinet and the shelf remains.

When two or more Pull-outs are ordered the shelf is removed.

Kessebohmer Pull-outs are not available in modified widths, only available in 24" depths.

Prices are per Pull-out.

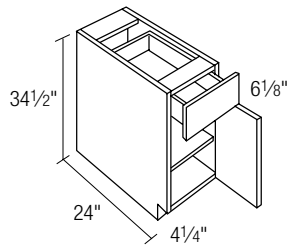
**SKU** **List Price**

<b>DOVETAIL PULL-OUT W/SOFT CLOSE IN BIRCH</b>		
Cabinets 12" to 21" wide	DOVEPO	176
Cabinets over 21" wide	DOVEPOW	203

<b>DOVETAIL PULL-OUT W/SOFT CLOSE IN WALNUT</b>		
Cabinets 12" to 21" wide	DOVEPO	231
Cabinets over 21" wide	DOVEPOW	264

<b>METAL PULL-OUT</b>		
Cabinets 12" to 21" wide	METALPO	311
Cabinets over 21" wide	METALPOW	338

<b>KESSEBOHMER PULL-OUT</b>		
Cabinets 15", 18" & 21" wide	KSBPO	917
Cabinets 24" wide	KSBPOW	971



- Designate L/R hinge (right shown)
- See Door Style section for door construction detail

### Base Cabinet – 9"-24" Wide

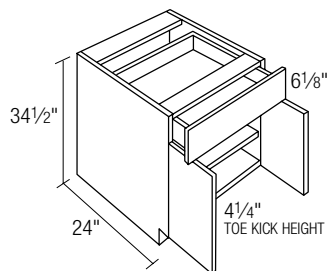
Price Grade	1	2	3	4	5	6	7	8	9
-------------	---	---	---	---	---	---	---	---	---

### Base Cabinet – 9"-24" Wide

B9	496	544	609	690	761	833	948	1045	1146
B12	526	578	647	731	806	884	1005	1102	1217
B15	542	597	673	761	833	920	1045	1146	1262
B18	565	621	697	783	864	950	1081	1190	1305
B21	604	665	747	843	929	1017	1156	1268	1394
B24-1	666	731	821	929	1017	1122	1268	1394	1534

### Base Cabinet – 9"-24" Wide; with Full-Height Doors

B9FH	419	477	541	623	693	767	881	977	1080
B12FH	449	510	578	665	741	816	939	1035	1150
B15FH	471	532	605	693	767	854	977	1080	1195
B18FH	490	554	630	719	799	883	1014	1123	1238
B21FH	531	597	680	776	861	950	1089	1200	1328
B24-1FH	591	665	750	861	950	1053	1200	1328	1467



### Base Cabinet – 24"-36" Wide

Price Grade	1	2	3	4	5	6	7	8	9
-------------	---	---	---	---	---	---	---	---	---

### Base Cabinet – 24"-36" Wide

B24	666	731	821	929	1017	1122	1268	1394	1534
B27	703	775	871	986	1085	1193	1349	1484	1632
B30	743	821	922	1044	1144	1258	1429	1571	1723
B33	767	843	942	1069	1178	1294	1467	1610	1769
B36	805	885	990	1123	1237	1359	1541	1693	1863

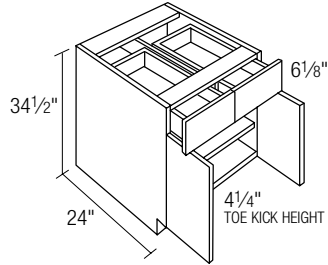
### Base Cabinet – 24"-36" Wide; with Full-Height Doors

B24FH	591	665	750	861	950	1053	1200	1328	1467
B27FH	630	708	802	917	1018	1125	1280	1416	1565
B30FH	670	752	854	976	1076	1193	1361	1503	1657
B33FH	692	776	875	1002	1109	1227	1400	1544	1703
B36FH	732	818	922	1054	1169	1291	1471	1626	1795

# Base Cabinets : General

## FOR ALL GENERAL BASE CABINETS

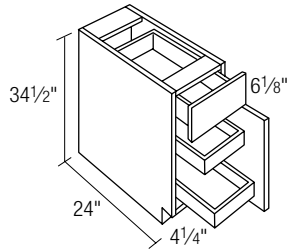
- One adjustable shelf; two adjustable shelves with Full-Height Doors
- 39", 42", 45" and 48" wide have center support stile in coordinated wood veneer on Wood door styles; all other door styles have a white, grey or neutral birch stile
- Pull-outs not available on 39", 42", 45" and 48" wide



### Base Cabinet with Split Top Drawer – 24"-36" Wide

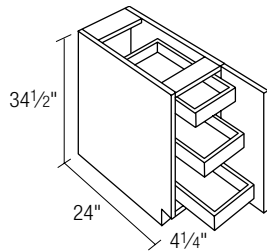
Price Grade	1	2	3	4	5	6	7	8	9
B24S	930	995	1084	1191	1280	1385	1530	1658	1797
B27S	967	1037	1134	1248	1349	1456	1610	1747	1894
B30S	1006	1084	1185	1307	1408	1522	1691	1834	1987
B33S	1030	1107	1206	1332	1441	1556	1731	1874	2032
B36S	1069	1148	1253	1386	1500	1623	1804	1956	2126

- Split Top Drawer requires additional stretchers and reduces the effective storage space below the drawers by 2 1/4"; see drawing on page 9.4



### Base Pull-out Cabinet – 12"-24" Wide

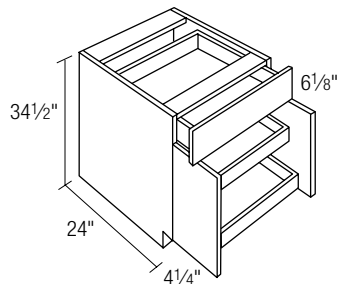
Price Grade	1	2	3	4	5	6	7	8	9
<b>Base Cabinet – 12"-24" Wide</b>									
BPO12	877	929	998	1083	1157	1235	1356	1454	1568
BPO15	894	949	1024	1112	1184	1271	1396	1497	1614
BPO18	916	973	1048	1135	1216	1301	1432	1541	1656
BPO21	955	1016	1098	1194	1280	1368	1508	1619	1746
BPO24-1	1071	1137	1226	1334	1422	1527	1673	1800	1939



### Base Cabinet – 12"-24" Wide; with Full-Height Doors

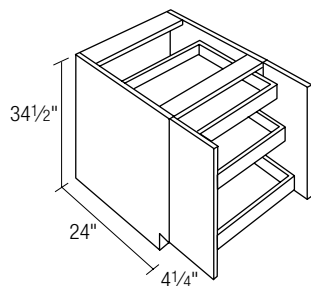
BPO12FH	976	1037	1104	1192	1268	1342	1466	1562	1677
BPO15FH	997	1059	1131	1220	1294	1381	1503	1606	1722
BPO18FH	1017	1081	1156	1246	1326	1410	1541	1650	1765
BPO21FH	1058	1124	1206	1303	1388	1476	1616	1727	1855
BPO24-1FH	1199	1273	1358	1469	1557	1660	1808	1936	2075

- Designate L/R hinge (right shown)
- Price includes Wood Dovetail Pull-outs with Soft Close; see page 9.5 for upgrades



### Base Pull-out Cabinet – 24"-36" Wide

Price Grade	1	2	3	4	5	6	7	8	9
<b>Base Cabinet – 24"-36" Wide</b>									
BPO24	1071	1137	1226	1334	1422	1527	1673	1800	1939
BPO27	1109	1180	1276	1391	1490	1598	1754	1889	2037
BPO30	1148	1226	1327	1449	1549	1663	1834	1976	2128
BPO33	1172	1248	1348	1474	1583	1699	1872	2016	2175
BPO36	1210	1290	1395	1528	1643	1764	1946	2098	2268



### Base Cabinet – 24"-36" Wide; with Full-Height Doors

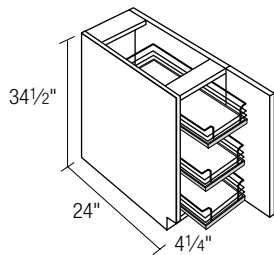
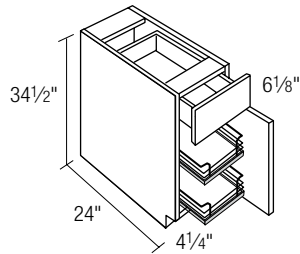
BPO24FH	1199	1273	1358	1469	1557	1660	1808	1936	2075
BPO27FH	1237	1315	1410	1525	1626	1733	1888	2024	2173
BPO30FH	1278	1360	1462	1583	1684	1801	1969	2111	2265
BPO33FH	1300	1384	1483	1609	1716	1835	2007	2152	2311
BPO36FH	1340	1426	1529	1661	1777	1899	2079	2234	2403

- Price includes Wood Dovetail Pull-outs with Soft Close; see page 9.5 for upgrades

# Base Cabinets : General

FOR ALL GENERAL BASE CABINETS

- One adjustable shelf; two adjustable shelves with Full-Height Doors
- 39", 42", 45" and 48" wide have center support stile in coordinated wood veneer on Wood door styles; all other door styles have a white, grey or neutral birch stile
- Pull-outs not available on 39", 42", 45" and 48" wide



## Kessebohmer Base Pull-out Cabinet

Price Grade	1	2	3	4	5	6	7	8	9
-------------	---	---	---	---	---	---	---	---	---

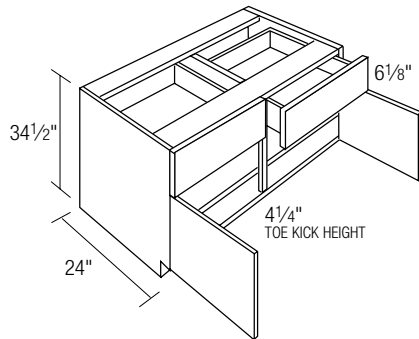
### Kessebohmer Base Pull-out Cabinet

BPO15KSB	1440	1495	1572	1659	1732	1818	1943	2045	2160
BPO18KSB	1475	1531	1607	1694	1775	1860	1991	2100	2215
BPO21KSB	1568	1629	1711	1807	1892	1981	2121	2232	2359
BPO24KSB	1653	1719	1807	1915	2003	2108	2254	2381	2521

### Kessebohmer Base Pull-out Cabinet; Full-Height Door

BPO15KSBFH	1818	1880	1952	2041	2113	2202	2324	2427	2542
BPO18KSBFH	1855	1918	1994	2083	2163	2247	2378	2487	2603
BPO21KSBFH	1976	2043	2125	2221	2307	2396	2535	2646	2773
BPO24KSBFH	2072	2144	2231	2342	2430	2532	2681	2807	2947

- Base with drawer has 2 shelves; base with full-height door has 3 shelves
- Shelves are White or Wood with Chrome rails and non-skid surface
- Modifications not available
- Soft Close standard
- Not available with Fineline, Slimline and Broadline Aluminum door styles



## Base Cabinet – 39"-48" Wide

Price Grade	1	2	3	4	5	6	7	8	9
-------------	---	---	---	---	---	---	---	---	---

### Base Cabinet – 39"-48" Wide

B39	858	949	1068	1202	1322	1453	1644	1808	1988
B42	902	993	1114	1256	1381	1522	1719	1892	2081
B45	923	1016	1139	1282	1414	1552	1755	1934	2126
B48	945	1039	1163	1311	1444	1584	1794	1976	2174

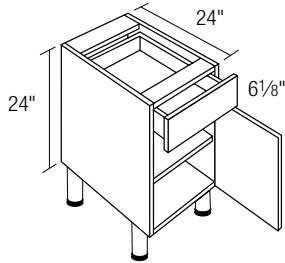
### Base Cabinet – 39"-48" Wide; with Full-Height Doors

B39FH	748	850	962	1102	1220	1352	1544	1709	1887
B42FH	793	893	1012	1156	1280	1421	1617	1792	1981
B45FH	812	916	1035	1183	1311	1453	1656	1834	2025
B48FH	833	939	1060	1210	1341	1486	1693	1875	2073

# Base Cabinets : Euro Island Bases

FOR ALL EURO ISLAND BASES

- Must order Legs, Feet (pages 16.19) or ~~Metal Base Pedestal (pages 17.1)~~ separately
- One adjustable shelf; two adjustable shelves with Full Height Door modification
- Deep Metal Drawers are not available on cabinets less than 15" deep



- Designate L/R hinge (right shown)

## Euro Island Base – 12"-21" Wide

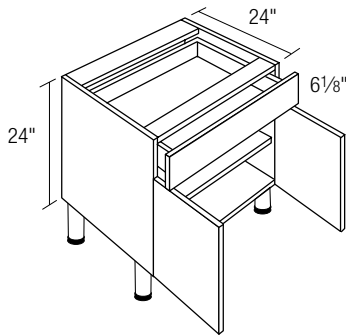
Price Grade	1	2	3	4	5	6	7	8	9
-------------	---	---	---	---	---	---	---	---	---

### Euro Island Base – 12"-21" Wide

EIB12	533	578	642	721	787	862	971	1063	1166
EIB15	552	600	666	748	816	898	1005	1102	1210
EIB18	579	630	701	782	860	939	1055	1155	1270
EIB21	603	652	724	812	885	974	1096	1198	1313

### Euro Island Base – 12"-21" Wide; with Full-Height Doors

EIB12FH	460	510	575	654	721	797	904	993	1100
EIB15FH	477	534	600	682	750	832	939	1035	1143
EIB18FH	506	563	632	718	795	870	989	1087	1201
EIB21FH	530	585	657	746	818	907	1028	1130	1246



## Euro Island Base – 24"-36" Wide

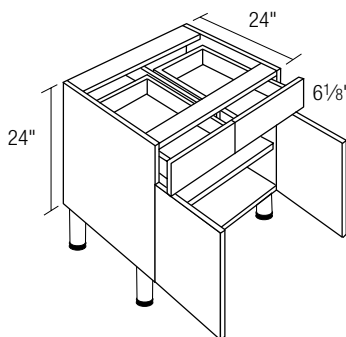
Price Grade	1	2	3	4	5	6	7	8	9
-------------	---	---	---	---	---	---	---	---	---

### Euro Island Base – 24"-36" Wide

EIB24	629	680	760	847	923	1012	1139	1247	1364
EIB27	652	704	779	877	958	1048	1183	1293	1415
EIB30	680	731	816	911	995	1085	1224	1336	1462
EIB33	698	755	841	939	1022	1122	1260	1381	1508
EIB36	729	780	871	975	1064	1165	1308	1434	1568

### Euro Island Base – 24"-36" Wide; with Full-Height Doors

EIB24FH	556	612	690	779	857	944	1072	1181	1297
EIB27FH	578	637	711	808	890	981	1118	1226	1347
EIB30FH	604	665	747	842	930	1018	1158	1270	1394
EIB33FH	624	689	771	870	956	1053	1194	1313	1439
EIB36FH	655	716	802	909	994	1099	1241	1367	1500



## Euro Island Base with Split Top Drawer – 24"-36" Wide

Price Grade	1	2	3	4	5	6	7	8	9
-------------	---	---	---	---	---	---	---	---	---

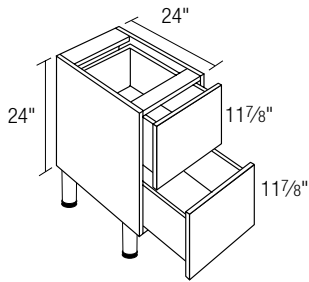
EIB24S	891	941	1023	1110	1187	1275	1403	1511	1627
EIB27S	915	968	1043	1140	1221	1311	1446	1555	1679
EIB30S	941	995	1080	1174	1258	1349	1488	1600	1724
EIB33S	961	1018	1104	1202	1284	1385	1523	1644	1771
EIB36S	993	1044	1134	1238	1328	1429	1571	1697	1831

- Split Top Drawer requires additional stretchers and reduces the effective storage space below the drawers by 2 1/4"; see drawing on page 9.4

# Base Cabinets : Euro Island Bases

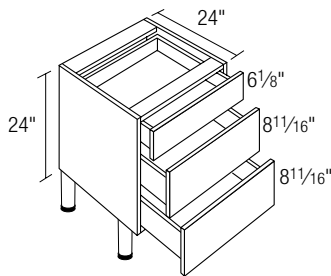
FOR ALL EURO ISLAND BASES

- Must order Legs, Feet (pages 16.19) or ~~Metal Base Pedestal~~ (pages 17.1) separately
- One adjustable shelf; two adjustable shelves with Full Height Door modification
- Deep Metal Drawers are not available on cabinets less than 15" deep
- Drawer Bases cannot be modified larger than largest standard SKU



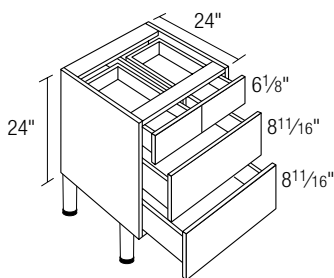
## Euro Island Base – 2 Drawers

Price Grade	1	2	3	4	5	6	7	8	9
EIDB12-2D	604	655	729	816	898	978	1102	1210	1327
EIDB15-2D	621	674	755	850	928	1016	1144	1256	1377
EIDB18-2D	652	708	791	882	965	1057	1190	1305	1430
EIDB21-2D	671	727	815	913	1000	1095	1228	1349	1482
EIDB24-2D	701	760	846	945	1037	1131	1278	1395	1533
EIDB27-2D	720	780	869	974	1065	1164	1312	1435	1577
EIDB30-2D	746	811	904	1013	1107	1209	1360	1494	1637
EIDB33-2D	770	833	929	1041	1134	1244	1398	1534	1678
EIDB36-2D	799	862	959	1073	1171	1281	1441	1578	1724
EIDB39-2D	827	893	990	1107	1209	1320	1484	1622	1771
EIDB42-2D	856	922	1021	1140	1247	1357	1525	1664	1818



## Euro Island Base – 3 Drawers

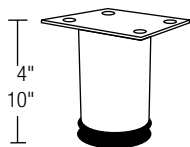
Price Grade	1	2	3	4	5	6	7	8	9
EIDB12	654	709	794	888	974	1063	1200	1312	1438
EIDB15	673	731	818	914	1003	1099	1238	1358	1488
EIDB18	702	760	850	951	1044	1144	1285	1414	1544
EIDB21	724	782	875	979	1071	1173	1321	1448	1584
EIDB24	750	811	904	1013	1110	1217	1367	1498	1642
EIDB27	781	850	942	1057	1158	1267	1428	1565	1713
EIDB30	809	879	977	1092	1198	1309	1475	1615	1769
EIDB33	831	898	1000	1122	1228	1341	1508	1651	1811
EIDB36	856	930	1035	1161	1267	1386	1557	1708	1869
EIDB39	881	960	1071	1199	1304	1430	1606	1765	1926
EIDB42	907	991	1107	1238	1341	1472	1656	1822	1983



## Euro Island Base with Split Top Drawer – 3 Drawers

Price Grade	1	2	3	4	5	6	7	8	9
EIDB24S	1014	1074	1167	1276	1374	1480	1631	1761	1906
EIDB27S	1045	1112	1206	1321	1421	1529	1690	1828	1976
EIDB30S	1073	1142	1241	1356	1462	1572	1739	1877	2032
EIDB33S	1094	1162	1263	1385	1492	1605	1771	1913	2075
EIDB36S	1119	1193	1299	1423	1529	1649	1820	1970	2132
EIDB39S	1144	1223	1334	1463	1568	1693	1870	2027	2189
EIDB42S	1169	1254	1369	1501	1605	1736	1919	2084	2246

- Split Top Drawer requires additional stretchers and reduces the effective storage space below the drawers by 2 1/4"; see drawing on page 9.4



- Order 10" leg for Euro Island Base cabinet for 34 1/2" overall height
- Field installed
- 2" diameter; 1 1/8" adjustable
- Specify finish; add suffix to SKU

## Euro Leg

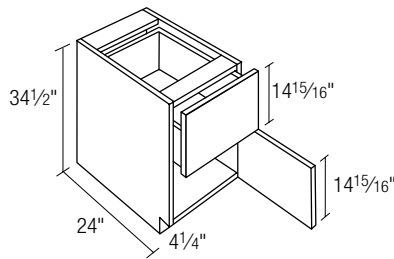
SKU	Price	GLOSSY BLACK – BG	BRUSHED STEEL – SS
ELEG4	51	FLAT BLACK – BF	ALUMINUM – AL
ELEG10	63	CHROME – CH	



# Base Cabinets : Drawer Bases

FOR ALL DRAWER BASE CABINETS

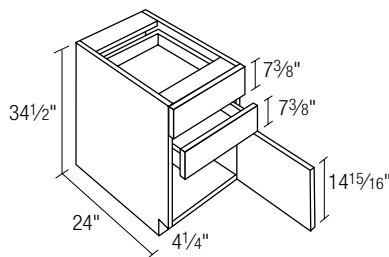
- Deep Metal Drawers are not available on cabinets less than 15" deep
- Drawer Bases cannot be modified larger than largest standard SKU



- Designate L/R hinge (right shown)
- Metal Drawer not available on cabinets less than 21" deep.

## Drawer Base – 1 Drawer, 1 Door

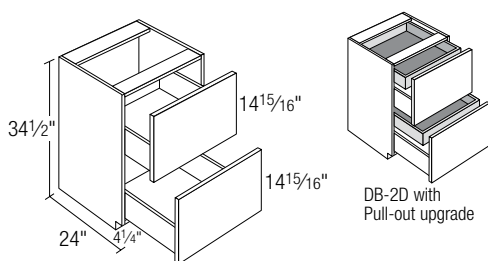
Price Grade	1	2	3	4	5	6	7	8	9
B15-1D	628	672	748	834	910	995	1119	1219	1337
B18-1D	646	694	774	861	941	1023	1155	1263	1381
B21-1D	688	740	824	917	1004	1092	1231	1341	1469
B24-1D	746	806	895	1004	1092	1197	1341	1469	1609



- Designate L/R hinge (right shown)

## Drawer Base – 2 Drawers, 1 Door

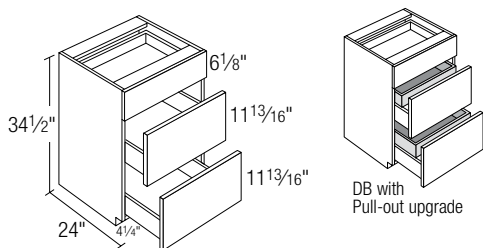
Price Grade	1	2	3	4	5	6	7	8	9
B15-2D	709	748	825	911	984	1071	1194	1296	1412
B18-2D	729	770	851	938	1015	1100	1230	1338	1456
B21-2D	770	814	898	992	1076	1166	1305	1419	1544
B24-2D	831	882	971	1076	1166	1271	1419	1544	1684



- Metal Drawer not available on cabinets less than 21" deep
- To add optional Pull-outs above top, bottom or both drawers, use Pull-out pricing on page 9.5; must specify location
- Wood Dovetail Drawers/Pull-outs only

## Drawer Base – 2 Drawers

Price Grade	1	2	3	4	5	6	7	8	9
DB18-2D	704	790	893	1017	1125	1245	1418	1563	1727
DB21-2D	794	885	1000	1143	1262	1393	1584	1750	1932
DB24-2D	815	912	1030	1167	1291	1429	1623	1792	1980
DB27-2D	864	965	1088	1238	1368	1513	1720	1899	2094
DB30-2D	914	1018	1146	1309	1446	1597	1816	2004	2208
DB33-2D	973	1083	1223	1392	1540	1695	1930	2129	2348
DB36-2D	1013	1123	1270	1444	1596	1761	2003	2206	2434
DB39-2D	1063	1177	1331	1513	1672	1846	2101	2309	2548
DB42-2D	1114	1231	1392	1580	1749	1930	2196	2412	2661



- Metal Drawer not available on cabinets less than 21" deep
- To add optional Pull-outs above middle, bottom or both drawers, use Pull-out pricing on page 9.5; must specify location
- Wood Dovetail Drawers/Pull-outs only

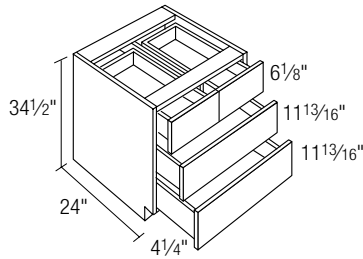
## Drawer Base – 3 Drawers

Price Grade	1	2	3	4	5	6	7	8	9
DB12	666	731	821	929	1017	1122	1268	1394	1534
DB15	725	798	894	1014	1118	1228	1389	1526	1678
DB18	784	863	969	1096	1203	1328	1500	1648	1819
DB21	876	964	1080	1226	1349	1482	1677	1844	2026
DB24	896	988	1110	1251	1376	1514	1715	1885	2075
DB27	948	1045	1169	1325	1456	1600	1815	1992	2193
DB30	997	1099	1231	1394	1533	1686	1910	2103	2310
DB33	1059	1163	1308	1476	1628	1788	2024	2228	2452
DB36	1101	1207	1358	1533	1686	1857	2103	2310	2541
DB39	1143	1252	1409	1589	1746	1927	2182	2392	2632
DB42	1185	1297	1460	1645	1804	1997	2262	2475	2722

# Base Cabinets : Drawer Bases

FOR ALL DRAWER BASE CABINETS

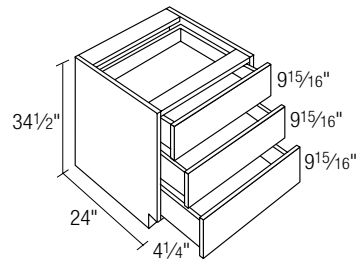
- Deep Metal Drawers are not available on cabinets less than 15" deep
- Drawer Bases cannot be modified larger than largest standard SKU



## Drawer Base with Split Top Drawer – 3 Drawers

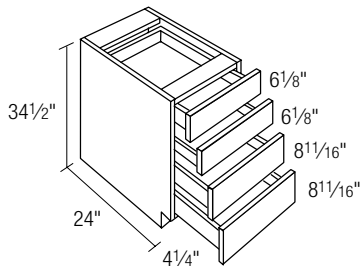
Price Grade	1	2	3	4	5	6	7	8	9
DB24S	1160	1251	1374	1514	1639	1777	1978	2149	2338
DB27S	1210	1308	1433	1588	1719	1863	2078	2255	2457
DB30S	1261	1361	1494	1658	1796	1949	2174	2366	2574
DB33S	1322	1427	1571	1740	1891	2051	2288	2492	2714
DB36S	1364	1470	1622	1796	1949	2121	2366	2574	2804
DB39S	1406	1513	1673	1852	2007	2191	2444	2656	2894
DB42S	1448	1556	1724	1908	2065	2261	2522	2738	2984

- Split Top Drawer requires additional stretchers and reduces the effective storage space below the drawers by 2 1/4"; see drawing on page 9.4



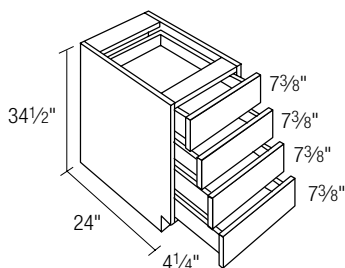
## 3-Drawer Base with Equal Drawers

Price Grade	1	2	3	4	5	6	7	8	9
DB12E	666	731	821	929	1017	1122	1268	1394	1534
DB15E	725	798	894	1014	1118	1228	1389	1526	1678
DB18E	784	863	969	1096	1203	1328	1500	1648	1819
DB21E	876	964	1080	1226	1349	1482	1677	1844	2026
DB24E	896	988	1110	1251	1376	1514	1715	1885	2075
DB27E	948	1045	1169	1325	1456	1600	1815	1992	2193
DB30E	997	1099	1231	1394	1533	1686	1910	2103	2310
DB33E	1059	1163	1308	1476	1628	1788	2024	2228	2452
DB36E	1101	1207	1358	1533	1686	1857	2103	2310	2541
DB39E	1143	1252	1409	1589	1746	1927	2182	2392	2632
DB42E	1185	1297	1460	1645	1804	1997	2262	2475	2722



## Drawer Base – 4 Drawers

Price Grade	1	2	3	4	5	6	7	8	9
DB12-4D	784	863	969	1096	1203	1328	1500	1648	1819
DB15-4D	855	945	1063	1199	1317	1448	1641	1805	1984
DB18-4D	916	1011	1130	1280	1406	1548	1755	1932	2123
DB21-4D	1039	1143	1280	1448	1596	1754	1984	2181	2403
DB24-4D	1059	1163	1308	1476	1628	1788	2024	2228	2452
DB27-4D	1117	1231	1380	1563	1716	1888	2142	2352	2592
DB30-4D	1178	1296	1456	1643	1811	1989	2257	2479	2730
DB33-4D	1244	1366	1538	1736	1911	2101	2381	2618	2880
DB36-4D	1310	1438	1617	1829	2014	2213	2506	2755	3032



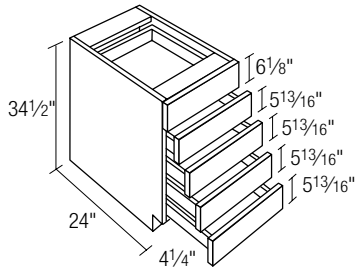
## 4-Drawer Base with Equal Drawers

Price Grade	1	2	3	4	5	6	7	8	9
DB12-4DE	784	863	969	1096	1203	1328	1500	1648	1819
DB15-4DE	855	945	1063	1199	1317	1448	1641	1805	1984
DB18-4DE	916	1011	1130	1280	1406	1548	1755	1932	2123
DB21-4DE	1039	1143	1280	1448	1596	1754	1984	2181	2403
DB24-4DE	1059	1163	1308	1476	1628	1788	2024	2228	2452
DB27-4DE	1117	1231	1380	1563	1716	1888	2142	2352	2592
DB30-4DE	1178	1296	1456	1643	1811	1989	2257	2479	2730
DB33-4DE	1244	1366	1538	1736	1911	2101	2381	2618	2880
DB36-4DE	1310	1438	1617	1829	2014	2213	2506	2755	3032

# Base Cabinets : Drawer Bases

FOR ALL DRAWER BASE CABINETS

- Deep Metal Drawers are not available on cabinets less than 15" deep
- Drawer Bases cannot be modified larger than largest standard SKU

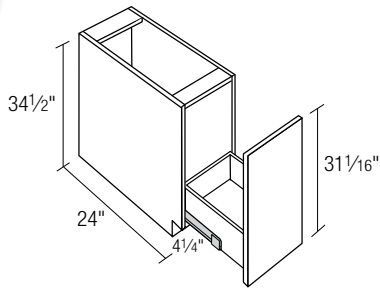


## Drawer Base – 5 Drawers

Price Grade	1	2	3	4	5	6	7	8	9
DB15-5D	941	1041	1169	1320	1448	1595	1805	1986	2181
DB18-5D	1008	1109	1243	1408	1548	1704	1933	2124	2337
DB21-5D	1144	1257	1408	1595	1753	1932	2181	2401	2642
DB24-5D	1163	1279	1436	1626	1789	1966	2228	2448	2697

• See page 1.9 for drawer construction details

**NEW!**

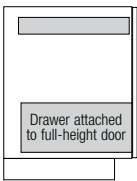


## Base with Full-Height Door Attached to Drawer Box

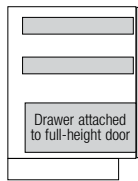
Price Grade	1	2	3	4	5	6	7	8	9
B15FH1D	471	532	605	693	767	854	977	1080	1195
B18FH1D	490	554	630	719	799	883	1014	1123	1238
B21FH1D	531	597	680	776	861	950	1089	1200	1328
B24FH1D	591	665	750	861	950	1053	1200	1328	1467

- Deep Metal Drawers are not available on cabinets less than 21" deep
- To add pull-outs above drawer, use Pull-out pricing on page 9.5; specify one or two

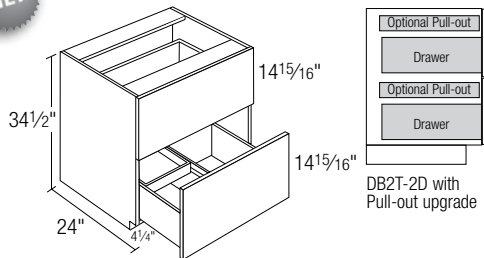
WITH ONE  
OPTIONAL PULL-OUT



WITH TWO  
OPTIONAL PULL-OUTS



**NEW!**

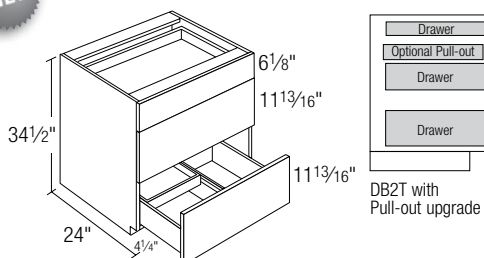


## Two-Drawer Base with 2-Tier Bottom Drawer for Pots and Pans

Price Grade	1	2	3	4	5	6	7	8	9
DB2T30-2D	1572	1676	1804	1967	2104	2255	2474	2662	2866
DB2T36-2D	1681	1791	1938	2112	2264	2429	2671	2874	3102

- Bottom drawer is a deep pots-and-pans drawer with a 2-tier drawer-within-the-drawer to one side for lids and smaller items
- 10"-deep drawer is available for drawer fronts 14<sup>15</sup>/<sub>16</sub>" high and higher, 30" and 36" wide
- To add optional Pull-outs above the top, bottom or both drawers, use Pull-out pricing on page 9.5; must specify location
- Wood Dovetail Drawers/Pull-outs only
- Not available with Metal Drawers or Walnut drawer box

**NEW!**

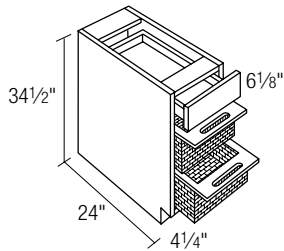


## Three-Drawer Base with 2-Tier Bottom Drawer for Pots and Pans

Price Grade	1	2	3	4	5	6	7	8	9
DB2T30	1655	1757	1889	2052	2191	2344	2568	2761	2968
DB2T36	1769	1875	2026	2201	2354	2525	2771	2978	3209

- Bottom drawer is a deep pots-and-pans drawer with a 2-tier drawer-within-the-drawer to one side for lids and smaller items
- 8"-deep drawer is available for drawer fronts 11<sup>13</sup>/<sub>16</sub>" high and higher, 30" and 36" wide
- To add an optional Pull-outs above the middle drawer, use Pull-out pricing on page 9.5
- Wood Dovetail Drawers/Pull-out only
- Not available with Metal Drawers or Walnut drawer box

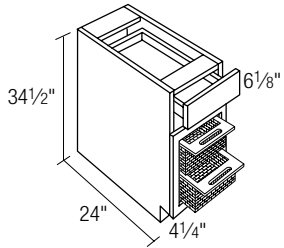
# Base Cabinets : Accessory Bases



## Wicker Basket Base

Price Grade	1	2	3	4	5	6	7	8	9
BBD15	1070	1177	1769	1967	1995	2023	2059	2094	2133
BBD18	1100	1209	1805	2002	2028	2058	2097	2134	2174

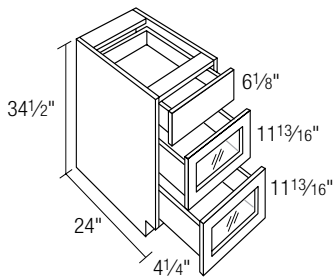
- Finished Interior standard
- Width modifications not available



## Wicker Basket Base with Frame

Price Grade	1	2	3	4	5	6	7	8	9
FBBD15				2158	2185	2210	2248	2283	2320
FBBD18				2197	2224	2253	2292	2328	2368

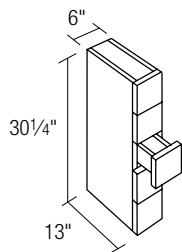
- Finished Interior standard
- Available only in Wood door styles
- Width modifications not available
- Frame edge matches door profile and has a 1/16" reveal



## Vegetable Drawer Base

Price Grade	1	2	3	4	5	6	7	8	9
VEGDB18			1147	1271	1381	1501	1677	1826	1995
VEGDB21			1284	1424	1546	1680	1875	2046	2228
VEGDB24			1338	1475	1602	1739	1938	2111	2301

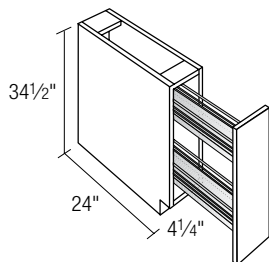
- Bottom two drawers are slab-style only
- Clear glass is available; order as CLG, \$288 list
- Width and height modifications not available
- Only available in door styles that accept Frame-style doors prepared for glass
- Drawer fronts have matching outside edge profile
- Removable panel behind drawer front



## Spice Drawer Cabinet

	Textured		Standard	Premium	Wood		Metal	UltraLux	
	Melamine	Eurotek			Melamine	Thermofoil			Wood
SDV30		557		561	1015	805	851	1015	1015

- No drawer glides
- Slab Drawer Fronts only
- No Toe Kick
- Does not match 30" high Wall cabinet
- Height modifications available in 6" increments only
- Vertical application only
- Wood Premium available in Walnut
- Not available in Eurotek Cape May, Clermont, or Lakehurst

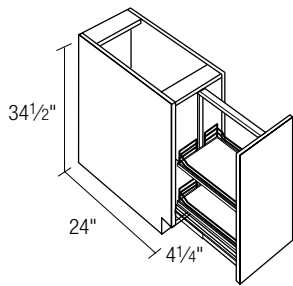


## Spice Pull-out Cabinet

Price Grade	1	2	3	4	5	6	7	8	9
BSP06	1043	1146	1222	1282	1352	1421	1528	1620	1717
FBSP06	1060	1166	1243	1304	1373	1439	1549	1642	1739

- Profiled Filler front (BSP06) or Fluted Filler front (FBSP06)
- Full-extension glide
- Depth and width modifications not available
- Maximum Height Reduction to 28 1/2"
- Not available in Cellini, Edison or Eurotek Cape May, Clermont, or Lakehurst

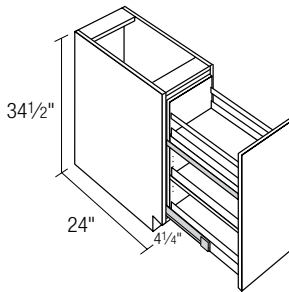
# Base Cabinets : Accessory Bases



## Kessebohmer Base Pantry

Price Grade	1	2	3	4	5	6	7	8	9
BPBC6	1873	1921	1987	2068	2138	2211	2325	2423	2524
BPBC9	1907	1955	2020	2101	2172	2244	2359	2456	2557
BPBC12	1746	1797	1867	1952	2026	2104	2224	2322	2436
BPBC15	1783	1838	1915	2002	2075	2161	2287	2388	2503
BPBC18	1912	1968	2044	2130	2211	2296	2427	2536	2652
BPBC21	1993	2054	2136	2233	2318	2406	2546	2657	2785
BPBC24	<del>2132</del>	<del>2197</del>	<del>2287</del>	<del>2395</del>	<del>2483</del>	<del>2587</del>	<del>2734</del>	<del>2860</del>	<del>3000</del>

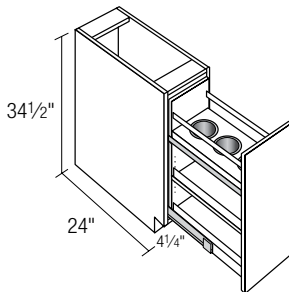
- Center rail allows for both Left- and Right-hand installation
- Two adjustable shelves
- Shelves are White or Wood with Chrome rails and non-skid surface
- Modifications not available
- Soft Close standard
- Not available with Fineline, Slimline and Broadline Aluminum door styles
- **Not recommended with Kiawah door style**
- BPBC6 is not available in Eurotek Cape May, Clermont, or Lakehurst



## Century Base Cabinet Organizer

Price Grade	1	2	3	4	5	6	7	8	9
BORG9CC	1331	1379	1444	1525	1596	1668	1783	1880	1981
BORG12CC	1483	1535	1604	1688	1763	1841	1962	2059	2174
BORG15CC	1558	1613	1689	1777	1849	1936	2061	2162	2278

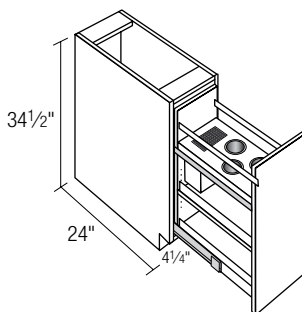
- One adjustable wood shelf; two fixed shelves
- Shelves pull out with door
- Soft Close standard
- Organizer is solid Maple with Natural finish
- Reduce Width and Reduce Depth modifications not available
- Not available with Metal door styles
- **Comes with three glides: a runner at the top left and two glides at the bottom**



## Century Base Canister Pull-out Organizer

Price Grade	1	2	3	4	5	6	7	8	9
BCAN12CC	1605	1657	1726	1810	1885	1963	2084	2181	2296
BCAN15CC	1732	1787	1863	1951	2023	2110	2235	2336	2452

- Three stainless steel canisters fit into cut-outs in fixed top shelf
- One adjustable wood shelf
- Shelves pull out with door
- Soft Close standard
- Pull-out is solid Maple with Natural finish
- Reduce Width and Reduce Depth modifications not available
- Not available with Metal door styles
- **Comes with three glides: a runner at the top left and two glides at the bottom**

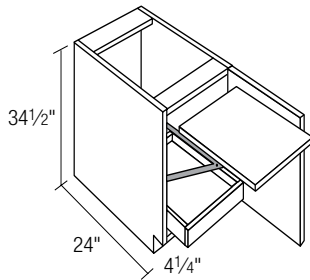


## Century Base Knife Block Pull-out Organizer

Price Grade	1	2	3	4	5	6	7	8	9
BKB12CC	1605	1657	1726	1810	1885	1963	2084	2181	2296
BKB15CC	1732	1787	1863	1951	2023	2110	2235	2336	2452

- Three stainless steel canisters fit into cut-outs in fixed top shelf
- Built-in knife block: slotless design, movable flex rods adjust to hold knives of different sizes
- One adjustable wood shelf
- Shelves pull out with door
- Soft Close standard
- Pull-out is solid Maple with Natural finish
- Reduce Width and Reduce Depth modifications not available
- Not available with Metal door styles
- **Comes with three glides: a runner at the top left and two glides at the bottom**

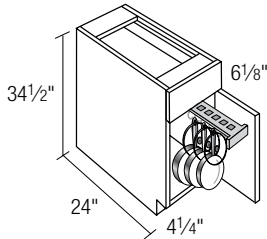
# Base Cabinets : Accessory Bases



## Mixer Base

Price Grade	1	2	3	4	5	6	7	8	9
MIXB21	891	953	1035	1130	1217	1305	1444	1555	1682
MIXB24	954	1019	1109	1217	1305	1410	1555	1682	1821

- Designate L/R hinge (right shown)
- Includes a factory-installed swing-up shelf
- Floor-mounted Pull-out is 5 1/2" narrower than cabinet width
- Wood Dovetail Pull-out with undermount glides only
- Full-height Door only
- Interior vertical clearance 19 3/8"
- Increase Depth modification available; Decrease Depth modification not available



## Base Cabinet with Glideware

Price Grade	1	2	3	4	5	6	7	8	9
-------------	---	---	---	---	---	---	---	---	---

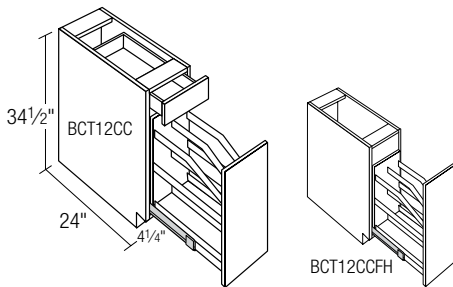
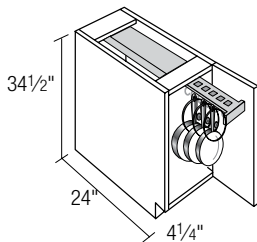
### Base Cabinet – 12"-24" Wide

B12GW	1046	1098	1167	1251	1326	1404	1525	1622	1737
B15GW	1062	1117	1193	1281	1353	1440	1565	1666	1782
B18GW	1085	1141	1217	1303	1384	1470	1601	1710	1825
B21GW	1124	1185	1267	1363	1449	1537	1676	1788	1914
B24GW-1	1186	1251	1341	1449	1537	1642	1788	1914	2054

### Base Cabinet – 12"-24" Wide; with Full-Height Doors

B12GWFH	969	1030	1098	1185	1261	1336	1459	1555	1670
B15GWFH	991	1052	1125	1213	1287	1374	1497	1600	1715
B18GWFH	1010	1074	1150	1239	1319	1403	1534	1643	1758
B21GWFH	1051	1117	1200	1296	1381	1470	1609	1720	1848
B24GW-1FH	1111	1185	1270	1381	1470	1573	1720	1848	1987

- Designate L/R hinge (right shown)
- See Door Style section for door construction detail



## Century Base Cookie Tray Pull-out

Price Grade	1	2	3	4	5	6	7	8	9
-------------	---	---	---	---	---	---	---	---	---

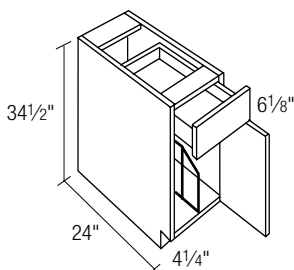
### Century Base Cookie Tray Pull-out

BCT9CC	1340	1388	1453	1534	1605	1677	1792	1889	1990
BCT12CC	1424	1476	1545	1629	1704	1782	1903	2000	2115

### Century Base Cookie Tray Pull-out; Full-Height Doors

BCT9CCFH	1263	1321	1385	1467	1537	1611	1725	1821	1924
BCT12CCFH	1347	1408	1476	1563	1639	1714	1837	1933	2048

- Cookie Tray unit pulls out with door
- Soft Close standard
- Pull-out is solid Maple with Natural finish
- Reduce Width and Reduce Depth modifications not available
- Not available with Metal door styles



## Tray Base

Price Grade	1	2	3	4	5	6	7	8	9
-------------	---	---	---	---	---	---	---	---	---

### Tray Base

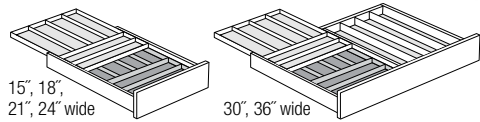
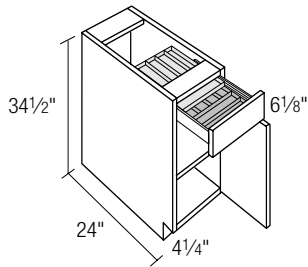
TB9	529	572	641	721	791	863	977	1073	1174
TB12	579	630	701	782	860	939	1055	1155	1270
TB15	603	652	724	812	885	974	1096	1198	1313

### Tray Base; Full-Height Doors

TB9FH	453	506	572	654	723	798	911	1007	1107
TB12FH	506	563	632	718	795	870	989	1087	1201
TB15FH	530	585	657	746	818	907	1028	1130	1246

- Designate L/R hinge (right shown)
- For Tray Divider Kit only, see page 17.9
- See Door Styles section for door construction details
- TB9 and TB12 have one factory-installed, chrome wire Tray Divider in center of cabinet
- TB15 has two evenly-spaced, factory-installed, chrome wire Tray Dividers

# Base Cabinets : Accessory Bases

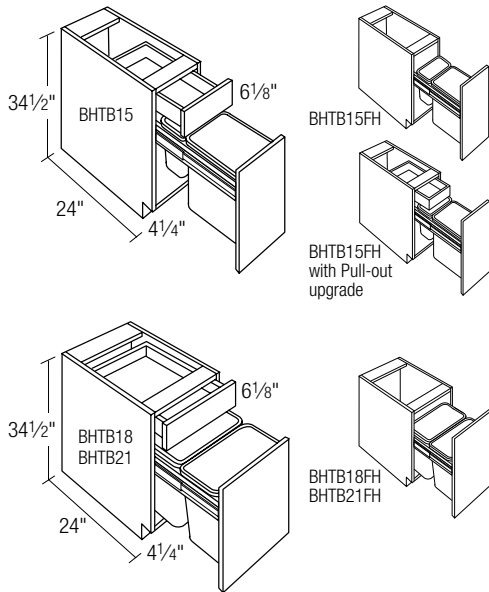


## 2-Tier Drawer Base

Price Grade	1	2	3	4	5	6	7	8	9
B2T15	959	1014	1090	1177	1250	1336	1462	1563	1679
B2T18	992	1048	1124	1210	1291	1377	1508	1617	1732
B2T21	1068	1129	1211	1307	1393	1482	1621	1732	1859
B2T24-1	1142	1207	1297	1405	1493	1598	1743	1870	2009
B2T24	1142	1207	1297	1405	1493	1598	1743	1870	2009
<b>B2T30</b>	<b>1216</b>	<b>1285</b>	<b>1383</b>	<b>1503</b>	<b>1593</b>	<b>1714</b>	<b>1865</b>	<b>2008</b>	<b>2159</b>
<b>B2T36</b>	<b>1290</b>	<b>1363</b>	<b>1469</b>	<b>1601</b>	<b>1693</b>	<b>1830</b>	<b>1987</b>	<b>2146</b>	<b>2309</b>



- Designate L/R hinge (right shown)
- One adjustable shelf
- Includes a drawer within a drawer for two tiers of storage
- 30" and 36" wide are split evenly with upper tier on left side only
- Width modifications not available
- Not available with Metal Drawer
- Walnut drawer box not available



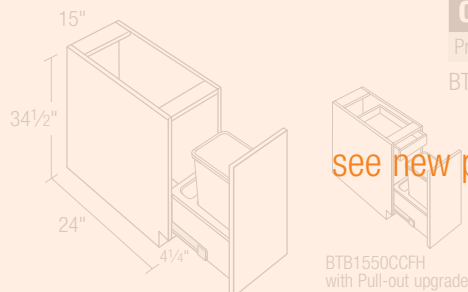
## Hanging Trash Bin Base

Price Grade	1	2	3	4	5	6	7	8	9
BHTB15	1263	1318	1394	1482	1554	1641	1766	1867	1983
BHTB18	1330	1386	1462	1548	1629	1714	1845	1954	2070
BHTB21	1416	1477	1560	1655	1741	1830	1969	2080	2207

## Hanging Trash Bin Base; Full-Height Doors

BHTB15FH	1192	1253	1326	1414	1488	1575	1698	1801	1916
BHTB18FH	1255	1318	1394	1484	1564	1648	1779	1888	2003
BHTB21FH	1343	1410	1492	1589	1674	1762	1901	2013	2140

- BHTB-15 has one 43-quart and one 9-quart Trash Bins; factory-installed
- BHTB-18 and BHTB-21 have two 43-quart Trash Bins; factory-installed
- Increase Depth modification available; Decrease Depth modification not available
- Width modifications not available
- Soft Close standard
- Add pull-out to BHTBFH; use Pull-out pricing on page 9.5



## Century 50-Quart Waste Bin Base

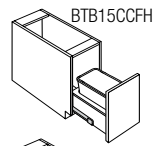
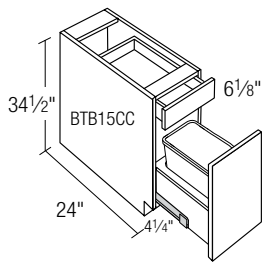
Price Grade	1	2	3	4	5	6	7	8	9
BTB1550CCFH	1497	1559	1631	1720	1793	1881	2003	2106	2221

**DISCONTINUED**

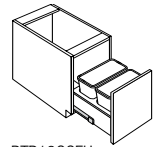
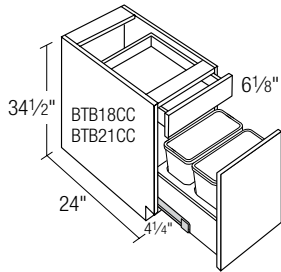
see new products on page 11 34-11 35

- Full-height doors only
- Available with pull-out in a 1000 series, see Maple, wood dovetail base
- One 50-quart Waste Bin; factory-installed
- Increase Depth modification available; Decrease Depth modification not available
- Width modifications not available
- Soft Close standard
- Add pull-out, use Pull-out pricing on page 9.5

# Base Cabinets : Accessory Bases



BTB15CCFH  
with Pull-out upgrade



BTB18CCFH  
BTB21CCFH

## Century 35-Quart Waste Bin Base

Price Grade	1	2	3	4	5	6	7	8	9
-------------	---	---	---	---	---	---	---	---	---

### Century 35-Quart Waste Bin Base

BTB15CC	1569	1624	1700	1787	1860	1946	2072	2173	2289
BTB18CC	1603	1659	1735	1821	1902	1987	2118	2227	2343
BTB21CC	1705	1767	1849	1944	2030	2119	2258	2369	2496

### Century 35-Quart Waste Bin Base; Full-Height Doors

BTB15CCFH	1497	1559	1631	1720	1793	1881	2003	2106	2221
BTB18CCFH	1528	1591	1667	1757	1837	1921	2052	2161	2276
BTB21CCFH	1633	1699	1781	1878	1963	2051	2190	2302	2429

- Waste bins sit in cut-outs in a Natural finish, solid Maple, wood dovetail base
- BTB15CC has one 35-quart Waste Bin; factory-installed
- BTB18CC and BTB21CC have two 35-quart Waste Bins; factory-installed
- Increase Depth modification available; Decrease Depth modification not available
- Width modifications not available
- Soft Close standard
- Add pull-out to **BTBCCFH**; use Pull-out pricing on page 9.5

## Kessebohrer Waste Basket Base

Price Grade	1	2	3	4	5	6	7	8	9
-------------	---	---	---	---	---	---	---	---	---

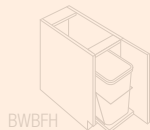
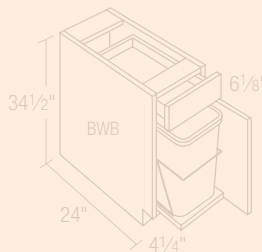
### Kessebohrer Waste Basket Base

BTB15KSB	1230	1285	1362	1449	1522	1608	1734	1835	1950
BTB18KSB	1281	1337	1413	1499	1580	1666	1796	1906	2021
BTB21KSB	1373	1434	1516	1611	1697	1786	1925	2036	2163
BTB24KSB	1435	1500	1589	1697	1786	1890	2036	2163	2302

### Kessebohrer Waste Basket Base; Full-Height Doors

BTB15KSBFH	1160	1221	1294	1382	1456	1543	1666	1768	1884
BTB18KSBFH	1206	1270	1346	1435	1515	1599	1729	1838	1954
BTB21KSBFH	1300	1365	1447	1545	1630	1719	1858	1969	2097
BTB24KSBFH	1360	1434	1519	1630	1719	1821	1969	2097	2236

- BTB15KSB has one 36-quart trash bin; factory installed
- BTB18KSB, BTB21KSB and BTB24KSB have two 36-quart trash bins; factory installed
- Modifications not available
- Soft Close standard
- Not available with Fineline, Slimline and Broadline Aluminum door styles
- Add pull-out to **BTBFHKS**; use Pull-out pricing on page 9.5



BWBFH  
with Pull-out upgrade

## Waste Basket Base

Price Grade	1	2	3	4	5	6	7	8	9
-------------	---	---	---	---	---	---	---	---	---

### Waste Basket Base

BWB15	806	861	937	1024	1097	1183	1309	1410	1526
-------	-----	-----	-----	------	------	------	------	------	------

**DISCONTINUED**

### Waste Basket Base; Full-Height Doors

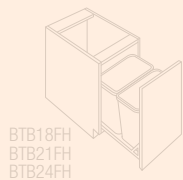
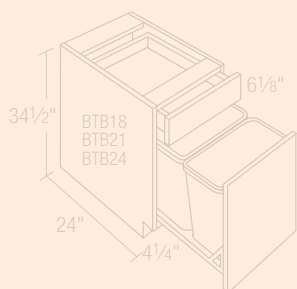
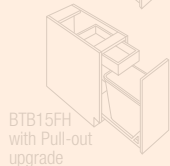
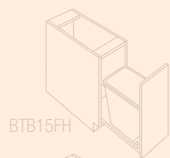
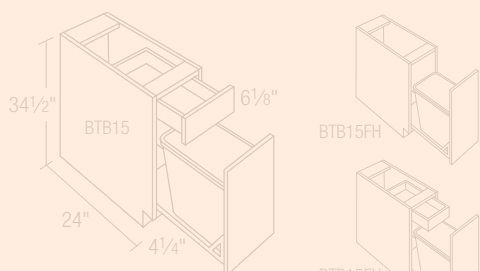
BWB15FH	735	796	869	957	1031	1118	1241	1343	1459
---------	-----	-----	-----	-----	------	------	------	------	------

see new products on page 11.34-11.35

- Designate L/R hinge (right shown)
- Includes a factory-installed, floor-mounted, white, 35-quart Waste Basket
- For Waste Basket Kit only, order WBASKET; see page 17.10
- Increase Depth modification available; Decrease Depth modification not available
- Reduce Width modification not available
- Add pull-out to BTBFH; use Pull-out pricing on page 9.5



# Base Cabinets : Accessory Bases



## Trash Bin Base

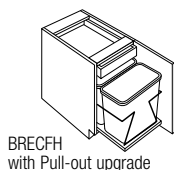
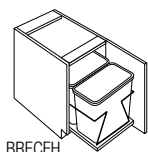
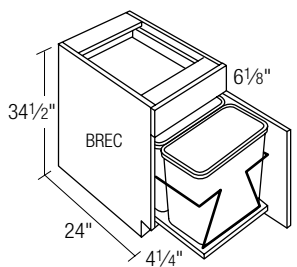
Price Grade	1	2	3	4	5	6	7	8	9
<b>Trash Bin Base</b>									
BTB15	719	774	850	937	1010	1096	1222	1323	1439
BTB18	742	798	874	960	1041	1126	1257	1366	1482
BTB21	833	895	977	1072	1158	1247	1386	1497	1624
BTB24	896	961	1050	1158	1247	1352	1497	1624	1763

## Trash Bin Base; Full-Height Doors

Price Grade	1	2	3	4	5	6	7	8	9
BTB15FH	647	709	781	870	943	1031	1153	1256	1371
BTB18FH	690	750	806	896	976	1060	1191	1300	1415
BTB21FH	761	827	909	1006	1091	1179	1318	1430	1557
BTB24FH	835	907	997	1106	1199	1282	1430	1557	1697

DISCONTINUED  
see new products on page 11.34-11.35

- BTB15 includes one factory-installed, floor-mounted, 35-quart Trash Bin
- BTB18, BTB21, BTB24 includes two factory-installed, floor-mounted, 36-quart Trash Bins
- Increase Depth modification available; Decrease Depth modification not available
- Reduce Width modification not available
- Add pull-out to BTBFH; use Pull-out pricing on page 9.5



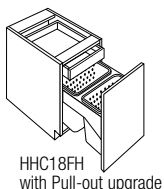
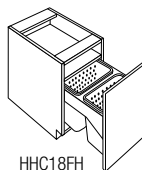
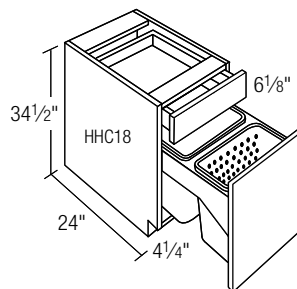
## Recycle Bin Base

Price Grade	1	2	3	4	5	6	7	8	9
<b>Recycle Bin Base</b>									
BREC15	840	895	971	1059	1130	1218	1341	1444	1560
BREC18	1005	1060	1137	1223	1304	1389	1520	1628	1746

## Recycle Bin Base; Full-Height Doors

Price Grade	1	2	3	4	5	6	7	8	9
BREC15FH	768	830	902	991	1064	1151	1275	1377	1492
BREC18FH	930	992	1069	1158	1238	1322	1453	1561	1677

- Designate L/R hinge (right shown)
- BREC15 includes two factory-installed, floor-mounted, white, 27-quart Recycle Bins BREC18 includes two factory-installed, floor-mounted, white, 35-quart Recycle Bins
- For Recycle Bin Kit only, order RECBIN; see page 17.10
- Increase Depth modification available; Decrease Depth modification not available
- Reduce Width modification not available
- Add pull-out to BRECFH; use Pull-out pricing on page 9.5

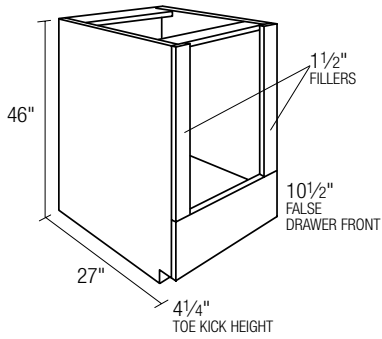


## Hanging Hamper Cabinet

Price Grade	1	2	3	4	5	6	7	8	9
<b>Hanging Hamper Cabinet</b>									
HHC18	1400	1456	1532	1618	1699	1784	1915	2024	2140
<b>Hanging Hamper Cabinet; Full-Height Door</b>									
HHC18FH	1405	1468	1544	1634	1714	1798	1929	2038	2153

- Width modification not available
- HHC has two 35-quart hampers
- Soft Close standard
- Add pull-out to HHCFH; use Pull-out pricing on page 9.5

## Base Cabinets : Dishwasher Base

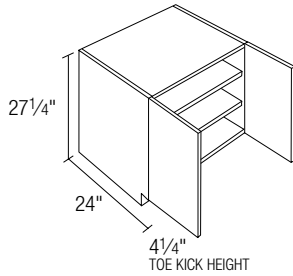


### Raised Dishwasher Cabinet

Price Grade	1	2	3	4	5	6	7	8	9
RDWB27	674	744	837	947	1044	1144	1293	1423	1566

- Fillers have eased edges only
- Removable false drawer front
- Not available in UltraLux, Textured Melamine or Eurotek Cape May, Clermont or Lakehurst

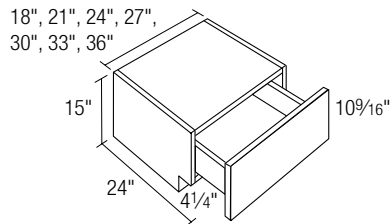
## Base Cabinets : Range Base and Fronts



### Rangetop Base

Price Grade	1	2	3	4	5	6	7	8	9
RTB30	654	721	805	911	1002	1102	1244	1367	1504
RTB36	719	793	888	1002	1101	1210	1367	1504	1656
RTB42	784	862	969	1091	1201	1321	1493	1642	1806
RTB48	852	936	1048	1182	1301	1431	1616	1779	1959

- Two adjustable shelves
- Specify height



### Range Front Base with Drawer

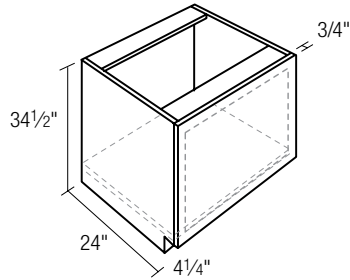
Price Grade	1	2	3	4	5	6	7	8	9
RFDB18	489	551	631	708	769	853	960	1059	1154
RFDB21	515	577	658	739	806	892	1005	1108	1210
RFDB24	540	603	686	771	843	931	1049	1156	1266
RFDB27	566	629	713	803	880	970	1094	1205	1321
RFDB30	591	655	741	834	916	1009	1139	1254	1377
RFDB33	617	681	768	866	953	1048	1183	1303	1432
RFDB36	642	707	796	898	990	1087	1228	1352	1488

- Deep Metal Drawers are not available on cabinets less than 15" deep

# Base Cabinets : Oven Bases

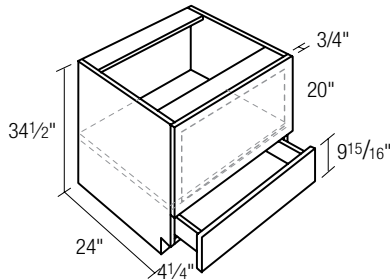
- Front panel appliance opening field-cut to size
- 1 1/2" perimeter after a maximum cut-out; see below for Maximum Oven Openings
- Reconfigure options available; see page 9.3
- Shipped with oven support shelf and angle brackets (remove before installing oven)
- Additional supports may be required for heavier ovens; order Oven Support Shelf Bracket (page 17.13) and extra shelf (page 17.2)
- **Profiled Oven Panels available, add POV suffix; see below**
- **Available with Custom Panel Cut-outs; see below and page 9.6**

- Standard Front Panel:
  - Melamine – 3/4"-thick Coordinated Melamine
  - Eurotek – 3/4"-thick Coordinated Melamine
  - Textured Melamine – 3/4"-thick Coordinated Melamine
  - Thermofoil – 3/4"-thick Profiled Matching Thermofoil
  - Wood – 3/4"-thick Wood Veneer
  - Metal– 3/4"-thick Coordinated Laminate
  - UltraLux – 3/4"-thick Matching UltraLux



Oven Base									
	Melamine	Eurotek	Textured Melamine	Standard Thermofoil	Premium Thermofoil	Wood	Wood Premium	Metal	UltraLux
OVB30	668	668	802	802	1217	1087	1149	1217	1278
OVB33	719	719	863	863	1327	1178	1245	1327	1392

- Wood Premium available in Walnut
- Be sure a heat shield is built into your appliance by its manufacturer or install the heat shield included with the appliance. Heat shields are sold separately as an accessory, see page 17.9.



Microwave Base									
Price Grade	1	2	3	4	5	6	7	8	9
MWB27	780	861	965	1091	1200	1323	1499	1646	1815
MWB30	801	881	989	1120	1231	1353	1533	1685	1855

- Deep Metal Drawers are not available on cabinets less than 15" deep

## Maximum Oven Openings

Cabinet	Panel Size	Cut-Out Size	Frame Opening Size
<b>Microwave Base Cabinet</b>			
MWB27	26 7/8" w x 20" h	23 7/8" w x 17" h	20 7/8" w x 8" h
MWB30	29 7/8" w x 20" h	26 7/8" w x 17" h	23 7/8" w x 8" h

<b>Oven Base Cabinet</b>			
OVB30	29 7/8" w x 30 1/16" h	26 7/8" w x 27 1/16" h	23 7/8" w x 18 1/16" h
OVB33	32 7/8" w x 30 1/16" h	29 7/8" w x 27 1/16" h	26 7/8" w x 18 1/16" h

- 1 1/2" perimeter edge width after a maximum cut-out.
- Profiled Oven Panels available
- Custom cut-outs not available

## Custom Cut-out in a Standard Oven Panel

Panel	Opening	Price Per Panel
Solid Wood Frame	Solid Wood Profiled Frame	325
Panel with Cut-outs	Wood Veneer, Eurotek and Deluxe Veneer	
	Non-Profiled Panel Cut-out	130
	Thermofoil and UltraLux Panel Cut-out	130

- Cost of the oven panel is included in the price of the cabinet; custom cut-outs are an upcharge
- OVB and MWB can have one opening; specify on Custom Cut-Out Oven Panel Form; see [OneTouch](#)

## Installed Profiled Oven Panels

	Melamine	Eurotek	Textured Melamine	Standard Thermofoil	Premium Thermofoil	Wood	Wood Premium	Metal	UltraLux
<b>Microwave Base Profiled Panel</b>									
POVMB271D					665	1229	267	282	
POVMB301D					709	1310	321	339	

<b>Oven Base Profiled Panel</b>				
POVB30	922	1707	352	372
POVB33	966	1787	407	430

- Metal, Textured Melamine and Eurotek door styles are not available with Profiled Oven Panels

### Thermofoil door styles:

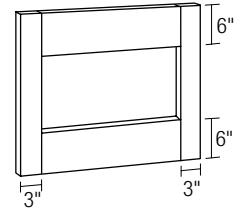
- Profiled Panels are slab-style with outer edge profiled to match the specified door style
- Thermofoil horizontal patterns and grains will run vertical on panels 46 1/2" high and greater

### UltraLux door styles:

- Coordinated UltraLux panel

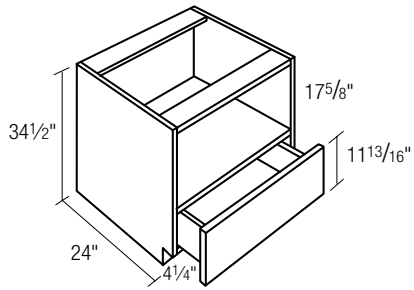
### Wood door styles:

- Wood Premium available in Walnut
- Not available in Deluxe Veneers, Richmond II or Slab
- Panels for non-mitered door styles will have a matching edge profile
- Panels for mitered door styles will have the following edge profiles:



1/8" RADIUS	CRYSTAL LAKE	MARSHALL	
AMHERST	DENNISON	OAKLAND PARK	CHARLOTTE
BROADVIEW	FREEDOM	PERTH-AMBOY	MT. VERNON
BRUNSWICK	FRISCO	PLYMOUTH	
GARNEGIE	LAFAYETTE	SARASOTA	
CHESAPEAKE	LAKEWAY	WINCHESTER	
GORONA	LIBERTY	YORK	
	LIVINGSTON		

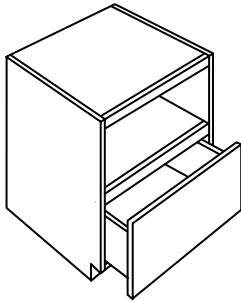
# Base Cabinets : Oven Bases



## Microwave Base with Open Shelf and Drawer Below

Price Grade	1	2	3	4	5	6	7	8	9
MMWB27	796	879	985	1113	1225	1350	1529	1679	1853
MMWB30	818	899	1009	1143	1256	1381	1564	1720	1892

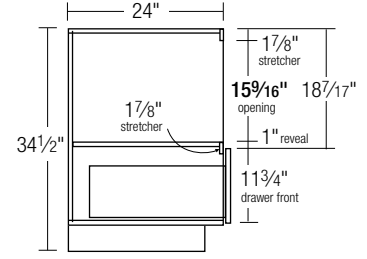
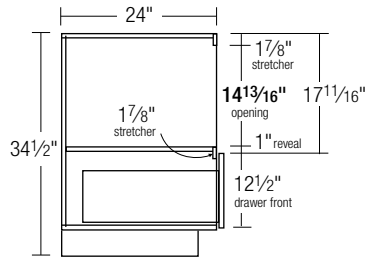
- Finished Interior standard
- Deep Metal Drawers are not available on cabinets less than 15" deep
- Reconfigure options available; see page 9.3



## Microwave Drawer Cabinet

Price Grade	1	2	3	4	5	6	7	8	9
MWPODB24	741	819	917	1037	1140	1256	1424	1564	1725
MWPODB30	761	837	939	1064	1170	1285	1456	1601	1762

- Must specify 14<sup>13</sup>/<sub>16</sub>"-high opening or 15<sup>9</sup>/<sub>16</sub>"-high opening
- Deep Metal Drawers are not available on cabinets less than 15" deep
- Minimum distance from appliance opening floor to top edge of drawer front is 1"
- Furring strips must be used to attach appliance to cabinet sides
- Verify specifications of microwave before ordering; Reconfigure may be required for some models

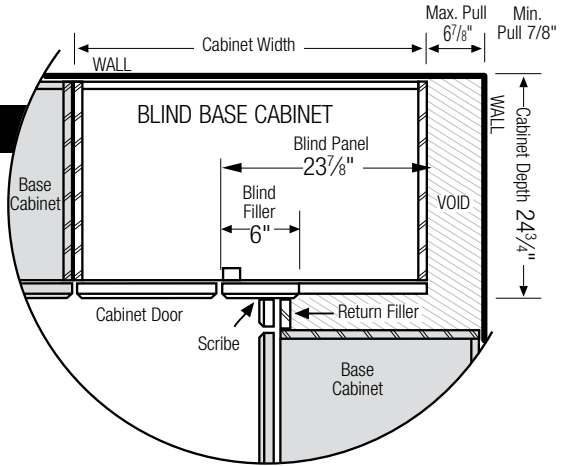


# Base Cabinets : Blind Bases

## Blind Corner Base Cabinet Installation Detail

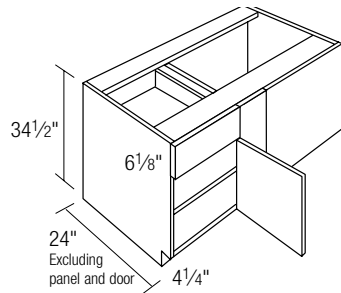
CABINET	CABINET WIDTH	DOOR WIDTH
BLB36	36"	11 <sup>7</sup> / <sub>8</sub> "
BLB39	39"	14 <sup>13</sup> / <sub>16</sub> "
BLB42	42"	17 <sup>13</sup> / <sub>16</sub> "
BLB45	45"	20 <sup>13</sup> / <sub>16</sub> "

- Cabinet depth at Blind Panel is 24<sup>3</sup>/<sub>4</sub>"
- Blind Panel width is 23<sup>7</sup>/<sub>8</sub>"; includes 6" Blind Filler
- Blind Filler has matching finish
- Return Filler is required, but not included; Peninsula Cabinet requires two Fillers (not included); order separately; see page 14.2
- Profile Fillers are designed to fit flush with the door
- Maximum pull is 6<sup>7</sup>/<sub>8</sub>"; minimum pull is 7<sup>8</sup>/<sub>8</sub>"



### FOR ALL BLIND CORNER BASE CABINETS

- Designate L/R hinge (right shown) to designate blind side
- 6" Profile Filler is part of blind base
- **Return Filler required but not included (two in BLPB39), order separately; see page 14.2**
- Not available in Finline, Slimline or Broadline metal door styles



- One adjustable shelf

## Blind Corner Base

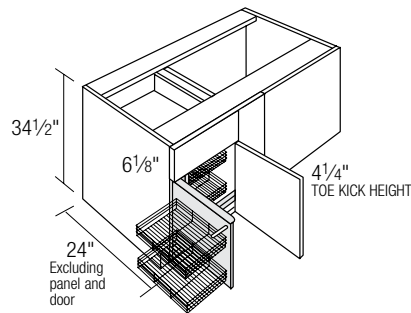
Price Grade	1	2	3	4	5	6	7	8	9
-------------	---	---	---	---	---	---	---	---	---

### Blind Corner Base

BLB36	755	831	931	1053	1161	1277	1441	1583	1746
BLB39	816	902	1011	1140	1253	1377	1563	1719	1888
BLB42	847	934	1045	1183	1300	1432	1618	1784	1960
BLB45	876	964	1080	1226	1349	1482	1677	1844	2026

### Blind Corner Base; Full-Height Door

BLB36FH	682	764	861	987	1092	1209	1375	1517	1677
BLB39FH	742	834	941	1073	1184	1310	1495	1651	1820
BLB42FH	773	865	977	1118	1233	1365	1551	1717	1891
BLB45FH	801	897	1012	1160	1280	1415	1609	1777	1962



- For 42" and 45" cabinets only
- Includes factory-installed metal wire baskets
- Do not place next to a protruding cabinet or appliance
- Slide clearance to adjacent cabinet is 1<sup>3</sup>/<sub>4</sub>"; placement of decorative hardware should be considered
- 15-pound capacity per shelf

## Blind Corner Base with Chrome Pull-outs

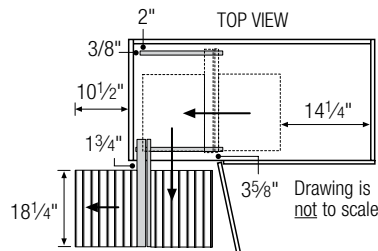
Price Grade	1	2	3	4	5	6	7	8	9
-------------	---	---	---	---	---	---	---	---	---

### Blind Corner Base with Pull-outs

BLB42CPO	3071	3159	3270	3408	3524	3656	3842	4008	4184
BLB45CPO	3100	3189	3304	3451	3573	3706	3901	4069	4251

### Blind Corner Base with Pull-outs; Full-Height Door

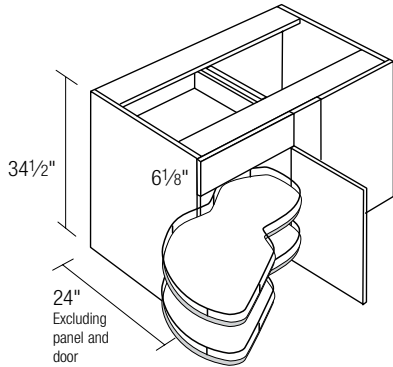
BLB42CPOFH	2998	3090	3201	3342	3458	3590	3776	3942	4115
BLB45CPOFH	3026	3121	3236	3384	3505	3640	3834	4001	4186



# Base Cabinets : Blind Bases

FOR ALL BLIND CORNER BASE CABINETS

- Designate L/R hinge (right shown) to designate blind side
- 6" Profile Filler is part of blind base
- **Return Filler required but not included (two in BLPB42), order separately; see page 14.2**
- Not available in Finline, Slimline or Broadline Aluminum door styles



## Blind Corner Base with Kessebohmer Lemans Pull-outs

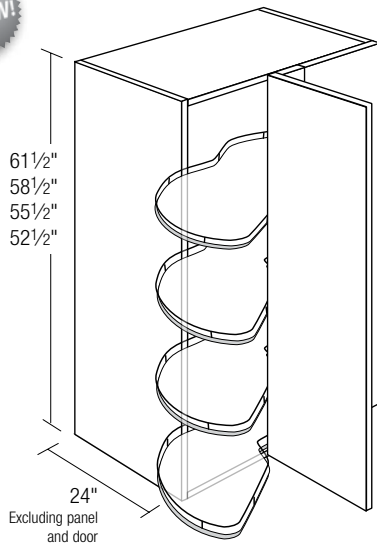
Price Grade	1	2	3	4	5	6	7	8	9
<b>with Kessebohmer Lemans Pull-outs</b>									
BLB42LMS	2135	2222	2334	2472	2589	2720	2907	3073	3248
BLB45LMS	2217	2306	2421	2568	2690	2823	3018	3186	3368

## with Kessebohmer Lemans Pull-outs; Full Height Door

BLB42LMSFH	2061	2155	2266	2407	2522	2655	2841	3007	3180
BLB45LMSFH	2142	2239	2353	2501	2622	2758	2952	3119	3303

- Order blind left or right; right blind shown
- Shelves are White or Wood with Chrome rails and non-skid surface
- Modifications not available
- Two shelves swing through opening individually
- Distance of swing-out is adjustable; for extreme applications where shelf cannot swing past the width of the cabinet, use Lemans II 90-Degree Swing Restrictor RESTRICTLMS on page 17.13
- Soft Close standard

**NEW!**

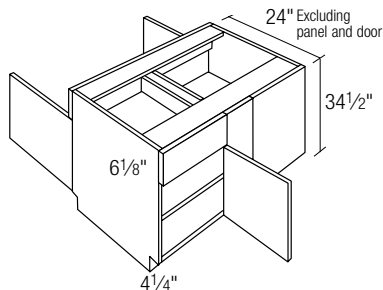


## Blind Corner Highboard with Kessebohmer Lemans Pull-outs

Price Grade	1	2	3	4	5	6	7	8	9
BL42525LMSHB	2724	2828	2963	3128	3269	3426	3650	3850	4060
BL42555LMSHB	2838	2946	3086	3259	3405	3569	3803	4010	4229
BL42585LMSHB	2956	3069	3215	3395	3547	3717	3961	4177	4405
BL42615LMSHB	3079	3197	3349	3536	3695	3872	4126	4351	4588
BL45525LMSHB	2822	2929	3067	3244	3390	3550	3784	3985	4204
BL45555LMSHB	2940	3051	3195	3379	3531	3698	3941	4151	4379
BL45585LMSHB	3063	3178	3328	3520	3678	3852	4105	4324	4561
BL45615LMSHB	3190	3311	3467	3666	3832	4012	4277	4504	4751

- Sits on top of Blind Corner Base (without countertop) to equal height of Tall cabinets
- Blind panel is unfinished
- Order blind left or right; right blind shown
- Shelves are White or Wood with Chrome rails and non-skid surface
- Four shelves swing through opening individually
- Distance of swing-out is adjustable; for extreme applications where shelf cannot swing past the width of the cabinet, use Lemans II 90-Degree Swing Restrictor RESTRICTLMS on page 17.13
- Soft Close standard
- Modifications not available
- Must sit on a cabinet or other surface; not designed to be wall-mounted
- To use as a base cabinet, order a Toe Kick Platform; see page 14.1

A	Atop a	Equals a
Blind Corner Highboard	Blind Corner Base	Tall Cabinet
52 1/2" high	+ 34 1/2" high	= 87" high
55 1/2" high	+ 34 1/2" high	= 90" high
58 1/2" high	+ 34 1/2" high	= 93" high
61 1/2" high	+ 34 1/2" high	= 96" high



## Peninsula Blind Base

Price Grade	1	2	3	4	5	6	7	8	9
BLPB39	1432	1576	1771	1999	2202	2418	2739	3010	3311

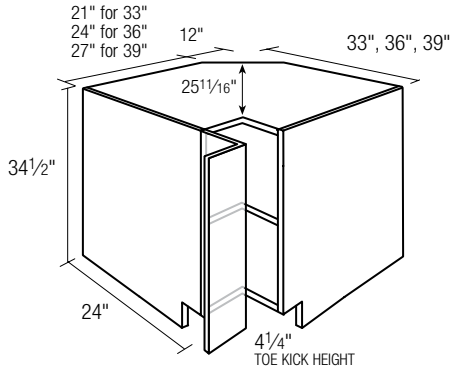
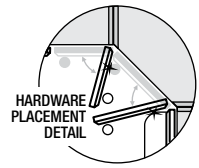
- One adjustable shelf
- **CAUTION:** Using Peninsula cabinets in a stand-alone application is not recommended

# Base Cabinets : Corner Bases

FOR ALL BASE CORNER CABINETS

- Designate L/R hinge (left shown)
- One fixed shelf
- Use Corner Cabinet Modification Form when requesting a modification; see [OneTouch](#)

- Placement of decorative hardware next to a protruding cabinet or appliance may interfere with door fully opening; filler may be required; see detail

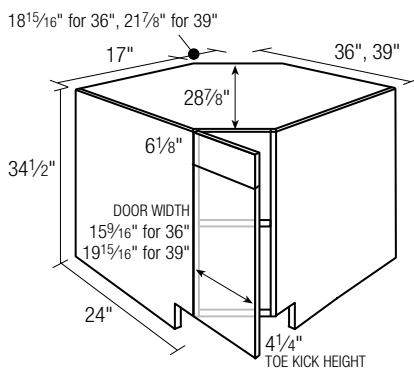


## Corner Cabinet

Price Grade	1	2	3	4	5	6	7	8	9
CB33	855	945	1063	1197	1317	1448	1641	1803	1984
CB36	896	988	1110	1251	1376	1514	1715	1885	2075
CB39	939	1035	1156	1307	1437	1581	1790	1970	2168

- Available with variable-size legs; designate left-side leg first (CB33-36)
- See Door Styles section for door construction details
- Not available in Metal
- Full-height Doors only
- Soft close not available

CABINET WIDTH	DOOR OPENING	DOOR WIDTH
33"	12 <sup>3</sup> / <sub>4</sub> "	8 <sup>1</sup> / <sub>16</sub> "
36"	17"	11 <sup>1</sup> / <sub>16</sub> "
39"	21"	14 <sup>1</sup> / <sub>16</sub> "



## Diagonal Corner Cabinet

Price Grade	1	2	3	4	5	6	7	8	9
DCB36	855	945	1063	1199	1317	1448	1641	1805	1984
DCB39	896	988	1110	1251	1376	1514	1715	1885	2075

## Diagonal Corner Cabinet with Full-Height Door

DCB36FH	855	945	1063	1199	1317	1448	1641	1805	1984
DCB39FH	896	988	1110	1251	1376	1514	1715	1885	2075

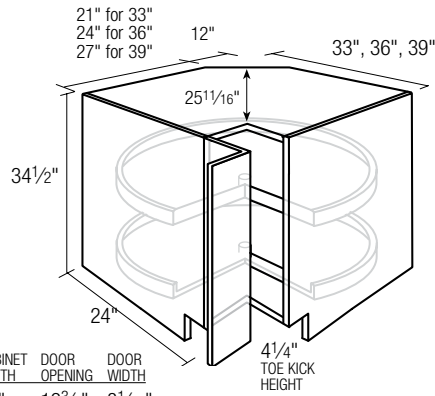
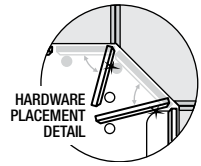
- False Drawer Front standard
- Plymouth-York and Frisco door styles available only with Full-height Door

# Base Cabinets : Corner Bases

FOR ALL BASE CORNER CABINETS

- Designate L/R hinge (left shown)
- One fixed shelf
- Use Corner Cabinet Modification Form when requesting a modification; see [OneTouch](#)

- Placement of decorative hardware next to a protruding cabinet or appliance may interfere with door fully opening; filler may be required; see detail

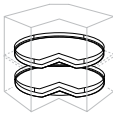


CABINET WIDTH	DOOR OPENING	DOOR WIDTH
33"	12 3/4"	8 1/16"
36"	17"	11 1/16"
39"	21"	14 1/16"

- Available with variable-size legs; designate left-side leg first (CB33-36)
- See Door Styles section for door construction details
- Not available in Metal
- Full-height Doors only
- Shelf-mounted susans are not adjustable
- Each Lazy Susan cabinet will have two susans
- Susans are 28" diameter; Super Susans are 32" diameter
- Revolving Recycle Bins have three, 32-quart, white containers
- CBREC is 36" cabinet
- Soft close not available
- Kessebohrer Susans are White or Wood with Chrome rails and non-skid surface
- Modifications not available with Kessebohrer Susans

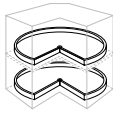
## Corner Cabinet with Lazy Susans or Recycle Bins

Price Grade	1	2	3	4	5	6	7	8	9
-------------	---	---	---	---	---	---	---	---	---



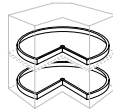
### with Shelf-Mounted Kessebohrer Chrome Rail Lazy Susan

CB33KSB	2093	2183	2300	2434	2554	2686	2878	3040	3221
CB36KSB	2204	2295	2417	2558	2683	2821	3022	3192	3382
CB39KSB	2246	2343	2463	2614	2744	2888	3097	3277	3476



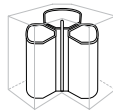
### with Wood Shelf-Mounted Lazy Susan

CB33SWS	1346	1436	1553	1687	1808	1939	2131	2293	2475
CB36SWS	1386	1478	1600	1741	1866	2004	2206	2375	2565
CB39SWS	1430	1525	1647	1797	1927	2072	2281	2460	2659



### with Wood Shelf-Mounted Super Susan

CB36SWSS	1432	1524	1646	1787	1912	2050	2252	2421	2611
CB39SWSS	1475	1571	1693	1843	1973	2117	2326	2506	2705

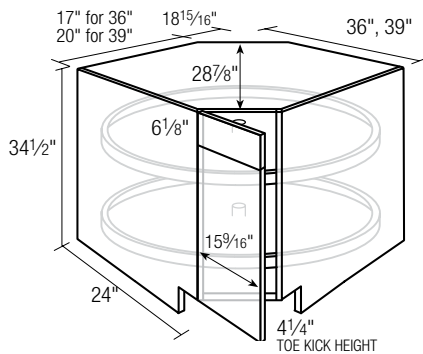


### with Recycle Bins

CBREC	1702	1794	1916	2057	2182	2320	2522	2691	2881
-------	------	------	------	------	------	------	------	------	------

## Diagonal Corner Cabinet with Lazy Susans or Recycle Bins

Price Grade	1	2	3	4	5	6	7	8	9
-------------	---	---	---	---	---	---	---	---	---



- False Drawer Front standard
- Plymouth, York and Frisco door styles available only with Full-Height Door
- Shelf-mounted susans are not adjustable
- Each Lazy Susan cabinet will have two, 28"-diameter susans
- Revolving Recycle Bins have three, 32-quart, white containers
- DCBREC is 36" cabinet
- Kessebohrer Susans are White or Wood with Chrome rails and non-skid surface
- Modifications not available with Kessebohrer Susans



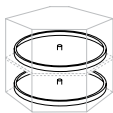
### with Shelf-Mounted Kessebohrer Chrome Rail Lazy Susan

DCB36KSB	2093	2183	2300	2436	2554	2686	2878	3042	3221
DCB39KSB	2204	2295	2417	2558	2683	2821	3022	3192	3382

DISCONTINUED

### with Full-Height Door

DCB36KSBFH	2093	2183	2300	2436	2554	2686	2878	3042	3221
DCB39KSBFH	2204	2295	2417	2558	2683	2821	3022	3192	3382

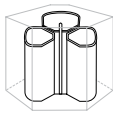


### with Wood Shelf-Mounted Lazy Susan

DCB36SWS	1346	1436	1553	1689	1808	1939	2131	2295	2475
----------	------	------	------	------	------	------	------	------	------

### with Full-Height Door

DCB36SWSFH	1346	1436	1553	1689	1808	1939	2131	2295	2475
------------	------	------	------	------	------	------	------	------	------



### with Recycle Bins

DCBREC	1661	1752	1869	2005	2124	2255	2447	2611	2791
--------	------	------	------	------	------	------	------	------	------

### with Full-Height Door

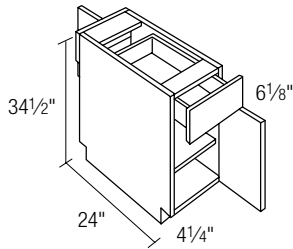
DCBREC FH	1661	1752	1869	2005	2124	2255	2447	2611	2791
-----------	------	------	------	------	------	------	------	------	------



# Base Cabinets : Peninsula Base

FOR ALL BASE PENINSULA CABINETS

- One adjustable shelf; two adjustable shelves with full-height door
- Full-Height Door available only on drawer side of cabinet and eliminates the drawer
- **CAUTION:** Using Peninsula cabinets in a stand-alone application is not recommended



- Designate L/R hinge (right shown)

## Peninsula Base – 18"-21" Wide

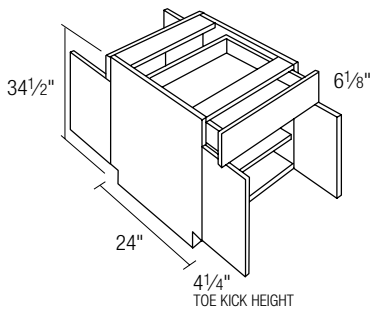
Price Grade	1	2	3	4	5	6	7	8	9
-------------	---	---	---	---	---	---	---	---	---

## Peninsula Base – 18"-21" Wide

PB18	774	933	1042	1183	1300	1433	1620	1786	1963
PB21	816	979	1103	1244	1369	1507	1710	1876	2064

## Peninsula Base – 18"-21" Wide; with Full-Height Door

PB18FH	701	864	975	1118	1233	1366	1552	1719	1895
PB21FH	742	913	1035	1178	1304	1438	1642	1809	1998



## Peninsula Base – 24"-36" Wide

Price Grade	1	2	3	4	5	6	7	8	9
-------------	---	---	---	---	---	---	---	---	---

## Peninsula Base – 24"-36" Wide

PB24	928	1111	1250	1409	1552	1712	1935	2130	2343
PB30	991	1240	1390	1571	1727	1903	2152	2368	2606
PB36	1067	1393	1566	1769	1947	2142	2423	2667	2930

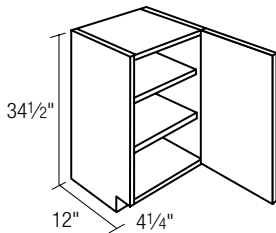
## Peninsula Base – 24"-36" Wide; with Full-Height Doors

PB24FH	855	1046	1181	1341	1487	1643	1869	2061	2274
PB30FH	916	1171	1321	1503	1660	1835	2084	2300	2537
PB36FH	992	1327	1496	1703	1881	2075	2356	2600	2862

# Base Cabinets : 12" Deep Base

FOR ALL WALL BASE CABINETS

- Two adjustable shelves

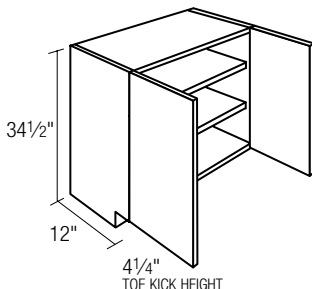


- Designate L/R hinge (right shown)
- Will not align with 13" deep Wall cabinet; use depth modification if necessary

## Wall Base Cabinet – 12"-24" Wide

Price Grade	1	2	3	4	5	6	7	8	9
-------------	---	---	---	---	---	---	---	---	---

WB12	464	510	575	647	710	780	885	975	1071
WB15	485	534	602	674	747	824	931	1023	1125
WB18	500	548	612	698	769	843	954	1051	1158
WB21	508	563	631	710	780	861	975	1071	1178
WB24-1	541	597	674	763	835	921	1044	1148	1263



- Will not align with 13" deep Wall cabinet; use depth modification if necessary

## Wall Base Cabinet – 24"-48" Wide

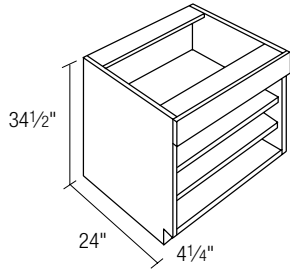
Price Grade	1	2	3	4	5	6	7	8	9
-------------	---	---	---	---	---	---	---	---	---

WB24	541	597	674	763	835	921	1044	1148	1263
WB27	589	652	731	826	909	995	1128	1244	1368
WB30	625	689	774	876	957	1059	1200	1318	1451
WB33	659	726	820	921	1015	1118	1263	1392	1533
WB36	702	770	863	976	1072	1177	1335	1465	1608
WB39	722	796	894	1005	1105	1217	1377	1513	1663
WB42	746	816	920	1041	1146	1260	1424	1568	1721
WB45	809	888	1000	1129	1243	1365	1544	1698	1866
WB48	875	959	1078	1217	1338	1470	1663	1828	2012

# Base Cabinets : Decorative Open Bases

FOR ALL DECORATIVE OPEN BASE CABINETS

- Finished Interior standard
- See page 9.1 for Finished Ends
- See pages 16.15-16.16 for Valance details
- **CAUTION:** Adjustable shelves require additional support for heavy loads



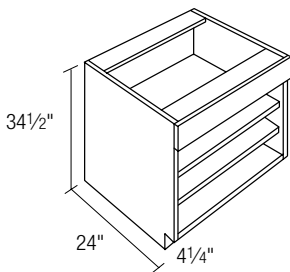
- Two adjustable shelves
- Adjustable shelves are not flush with the front of the cabinet; see page 1.7
- Premium Thermofoil, Metal, Eurotek and UltraLux are available with Straight Valance only
- Specify Valance option

## Decorative Open Base

	Melamine	Eurotek	Textured Melamine	Standard Thermofoil	Premium Thermofoil	Wood	Wood Premium	Metal	UltraLux
DOBC30	1444	1444	1517	1517	2607			2607	2607
DOBC36	1520	1520	1596	1596	2741			2741	2741

## Valance Options (factory installed)

Description	Height	SKU	List Price
Straight	4 1/4"	VAL	No Charge
Arched	6"	ARCHVAL	No Charge
Mission	6"	MISSVAL	No Charge



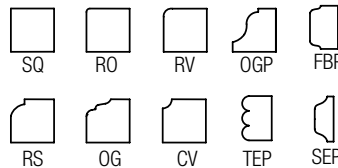
- Two adjustable 3/4"-thick shelves
- Adjustable shelves are not flush with the front of the cabinet; see page 1.7
- Specify Valance option
- Wood Premium available in Walnut

## Decorative Open Base with Shelf Edge Options

	Wood	Wood Premium
VDOBC30	1826	1930
VDOBC36	1921	2031

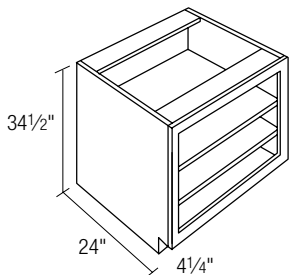
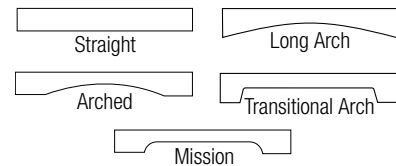
## Shelf Edge Upgrade

- Upgrade to optional applied shelf edging; add 20%
- Shelf edging not available in Deluxe Veneers
- TEP not available in Red Birch or Alder
- OGP, FBP, TEP, SEP not available in Walnut



## Valance Options (factory installed)

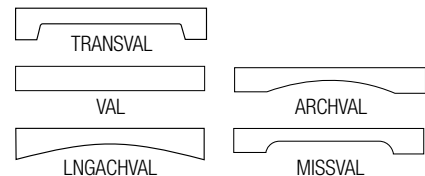
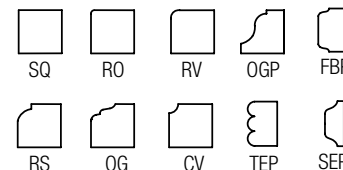
Description	Height	SKU	List Price
Straight	4 1/4"	VAL	No Charge
Arched	6"	ARCHVAL	No Charge
Mission	6"	MISSVAL	No Charge
Long Arch	6"	LNGACHVAL	No Charge
Transitional Arch	6"	TRANSVAL	No Charge



## Decorative Open Base with Frame

	Wood	Wood Premium
VFDOBC30	1864	1971
VFDOBC36	1960	2072

- 3/4"-thick shelves standard
- Adjustable shelves are not flush with the front of the cabinet; see page 1.7
- Profiled outside edge is optional
- VF Frame option not available on cabinets less than 30" wide
- Wood Premium available in Walnut



### HOW TO ORDER

#### 1. Choose a Frame

- Outside edge of solid wood frame will match door profile
- Bamboo is only available with Standard frame

**Standard:** 1 1/2" wide stiles and rails

**3E:** 3" wide stiles with 1 1/2" wide rails

**3FE:** 3" wide fluted stiles with 1 1/2" wide rails

**VE:** top valance with 2" wide stiles and 1 1/2" wide rails; add 10%

#### 2. Upgrade to optional applied shelf edging; add 20%

- Shelf edging not available in Bamboo
- TEP not available in Red Birch or Alder
- OGP, FBP, TEP, SEP not available in Walnut

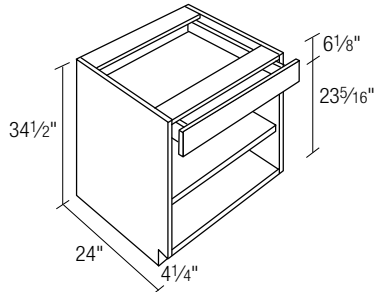
#### 3. Choose a valance style, if applicable

- 6" high, except VAL = 4 1/4" high
- Radius cannot be modified
- Feet are a fixed dimension; cannot be modified
- Available in Oak, Maple, Cherry, Red Birch and Alder; not available in Bamboo

# Base Cabinets : Decorative Open Bases

FOR ALL DECORATIVE OPEN BASE CABINETS

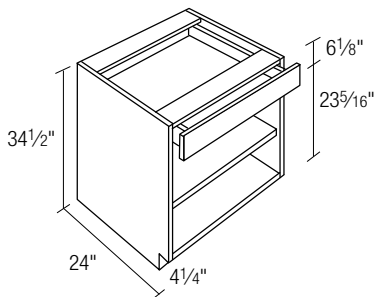
- Finished Interior standard
- See page 9.1 for Finished Ends
- See pages 16.15-16.16 for Valance details
- **CAUTION:** Adjustable shelves require additional support for heavy loads



- One adjustable shelf
- Adjustable shelves are not flush with the front of the cabinet; see page 1.7

## Decorative Open Base with Top Drawer

	Melamine	Eurotek	Textured Melamine	Standard Thermofoil	Premium Thermofoil	Wood	Wood Premium	Metal	UltraLux
DOBCD24	1596	1675	1675	1675	2875			2875	2875
DOBCD27	1672	1754	1754	1754	3009			3009	3009
DOBCD30	1748	1833	1833	1833	3143			3143	3143
DOBCD33	1823	1912	1912	1912	3277			3277	3277
DOBCD36	1899	1991	1991	1991	3411			3411	3411



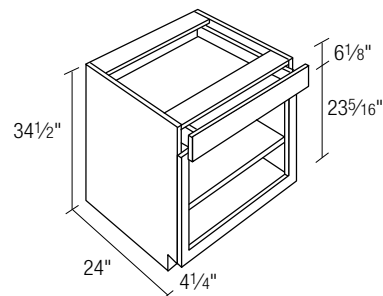
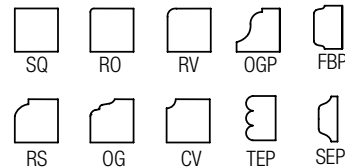
- One adjustable 3/4"-thick shelf
- Adjustable shelves are not flush with the front of the cabinet; see page 1.7
- Wood Premium available in Walnut

## Decorative Open Base with Top Drawer and Shelf Edge Options

	Wood	Wood Premium
VDOBCD24	2017	2132
VDOBCD27	2112	2233
VDOBCD30	2208	2334
VDOBCD33	2303	2435
VDOBCD36	2399	2536

### Shelf Edge Upgrade

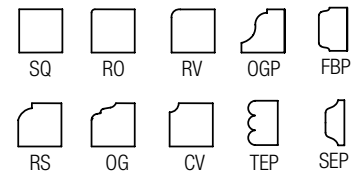
- Upgrade to optional applied shelf edging; add 20%
- Shelf edging not available in Deluxe Veneers
- TEP not available in Red Birch or Alder
- OGP, FBP, TEP, SEP not available in Walnut



- One adjustable 3/4"-thick shelf
- Adjustable shelves are not flush with the front of the cabinet; see page 1.7
- Profiled outside edge is optional
- VF Frame option not available on cabinets less than 30" wide
- Wood Premium available in Walnut

## Decorative Open Base with Top Drawer and Frame

	Wood	Wood Premium
VFDOBCD24	2055	2172
VFDOBCD27	2151	2274
VFDOBCD30	2246	2374
VFDOBCD33	2342	2476
VFDOBCD36	2437	2576



### HOW TO ORDER

#### 1. Choose a Frame

- Outside edge of solid wood frame will match door profile
- Bamboo is only available with Standard frame

Standard: 1 1/2" wide stiles and rails

3F: 3" wide stiles with 1 1/2" wide rails

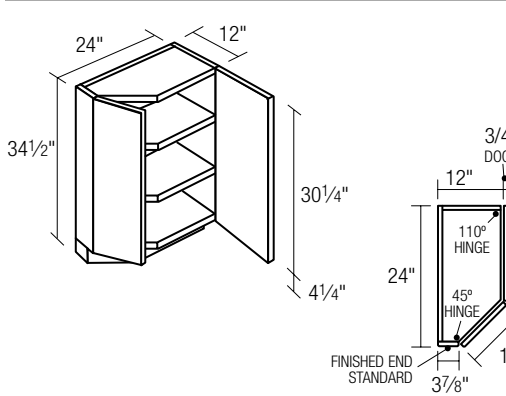
3FE: 3" wide fluted stiles with 1 1/2" wide rails

VF: top valance with 2" wide stiles and 1 1/2" wide rails; add 10%

#### 2. Upgrade to optional applied shelf edging; add 20%

- Shelf edging not available in Deluxe Veneers
- TEP not available in Red Birch or Alder
- OGP, FBP, TEP, SEP not available in Walnut

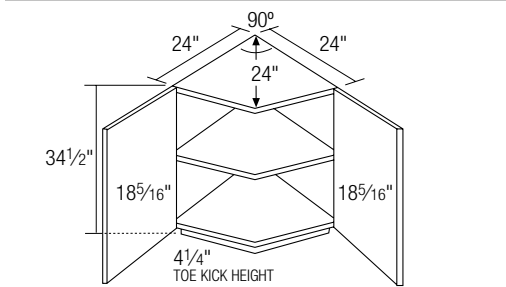
# Base Cabinets : End Cabinets



## Transitional Base Cabinet

Price Grade	1	2	3	4	5	6	7	8	9
TRB12	767	843	948	1069	1177	1294	1462	1608	1769

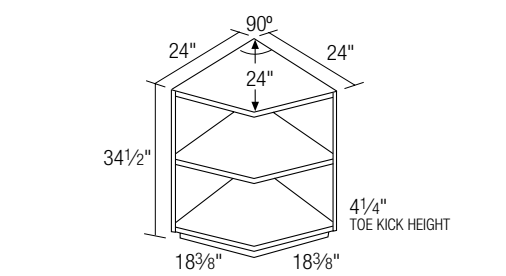
- Designate L/R hinge (right shown)
- Two fixed shelves
- Back and end not finished
- Full-Height Doors only
- Small doors may be difficult to remove due to hinge proximity to back panel
- Toe Kick Platform
- Use Transitional Cabinet Modification Form when requesting a modification; see OneTouch
- Not available in Fineline, Slimline or Broadline Metal door styles



## Base End Cabinet

Price Grade	1	2	3	4	5	6	7	8	9
BEC	831	913	1025	1161	1274	1400	1583	1743	1914

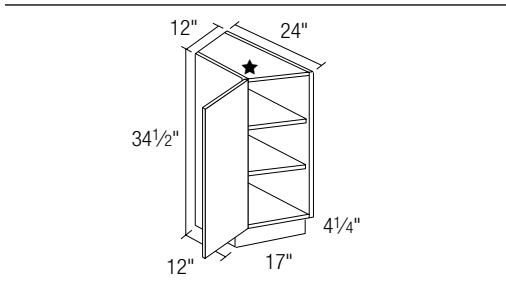
- One fixed shelf
- Finished Ends not available
- No center support column
- Not available in Fineline, Slimline or Broadline Metal door styles



## Base End Cabinet without Doors

	Melamine	Eurotek	Textured Melamine	Standard Thermofoil	Premium Thermofoil	Wood	Wood Premium	Metal	UltraLux
WNBEC	701	701	841	841	1485	1210	1279	1485	1485

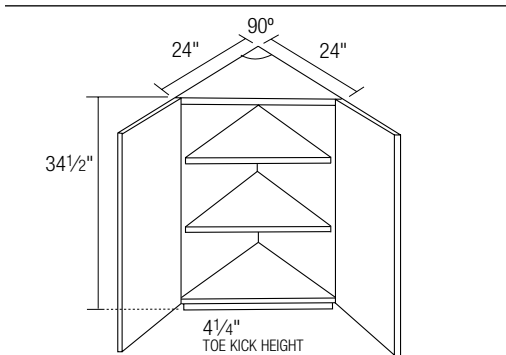
- One fixed shelf
- No center support column
- Finished Interior standard
- Finished Ends not available
- Wood Premium available in Walnut



## Base Angled End Cabinet

Price Grade	1	2	3	4	5	6	7	8	9
BEA12	592	657	737	830	913	1007	1137	1253	1377

- Two adjustable shelves
- Designate L/R hinge (left shown)
- Full-height Doors only
- 45° angle only
- Hinging here "★" only
- Not available in Fineline, Slimline or Broadline Metal door styles



## Base Triangle Cabinet

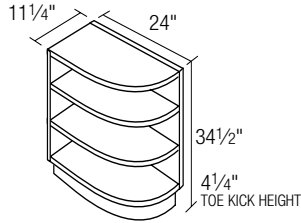
Price Grade	1	2	3	4	5	6	7	8	9
BTC	747	822	923	1045	1146	1260	1427	1569	1723

- Two adjustable shelves
- Finished Ends not available
- No center support column
- Full-height doors only
- Modification on Width must equal Depth Modification

# Base Cabinets : Whatnots

FOR ALL BASE WHATNOTS

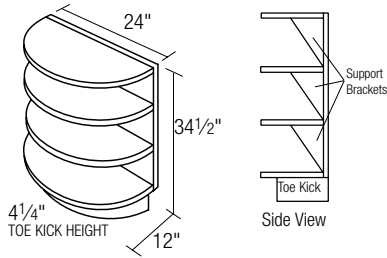
- Two fixed shelves
- Finished Interior Standard
- Depth Reduction not available
- Cannot delete Toekick
- Order TOSRP for matching Flexible Toe Kick; see page 14.1
- Wood Premium available in Walnut



## Base Whatnot

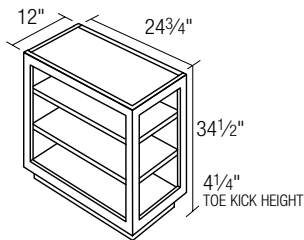
	Melamine	Eurotek	Textured Melamine	Standard Thermofoil	Premium Thermofoil	Wood	Wood Premium	Metal	UltraLux
BWN12	763	763	916	916	1206	1392	1472	1739	1739

- Designate L/R (left shown)



## Base Peninsula Whatnot

	Melamine	Eurotek	Textured Melamine	Standard Thermofoil	Premium Thermofoil	Wood	Wood Premium	Metal	UltraLux
PBWN	889	889	1067	1067	1297	1488	1573	1872	1872

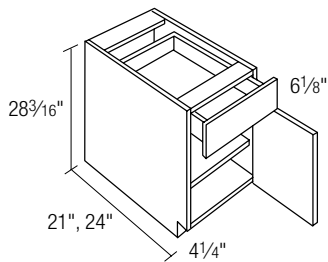


## Base Whatnot with Frame

	Melamine	Eurotek	Textured Melamine	Standard Thermofoil	Premium Thermofoil	Wood	Wood Premium	Metal	UltraLux
FBWN12						1672	1768		

- Designate L/R (left shown)
- Solid wood frame standard with eased edge
- Open on front and end only

# Base Cabinets : Desk Bases



- One adjustable shelf
- Designate L/R hinge (right shown)

## Desk Base

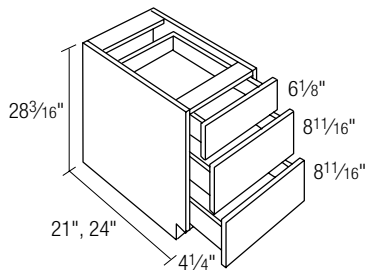
Price Grade	1	2	3	4	5	6	7	8	9
-------------	---	---	---	---	---	---	---	---	---

### Desk Base

DBB12	504	557	623	703	773	854	959	1055	1165
DBB15	526	578	647	731	806	884	1005	1102	1217
DBB18	542	597	673	761	833	920	1045	1146	1262
DBB21	571	632	711	802	882	973	1099	1210	1333
DBB12-21	504	557	623	703	773	854	959	1055	1165
DBB15-21	526	578	647	731	806	884	1005	1102	1217
DBB18-21	542	597	673	761	833	920	1045	1146	1262
DBB21-21	571	632	711	802	882	973	1099	1210	1333

### Desk Base; Full-Height Door

DBB12-FH	431	488	553	636	704	784	891	989	1099
DBB15-FH	449	510	578	665	741	816	939	1035	1150
DBB18-FH	471	532	605	693	767	854	977	1080	1195
DBB21-FH	499	564	642	736	814	905	1030	1143	1267
DBB12-21FH	431	488	553	636	704	784	891	989	1099
DBB15-21FH	449	510	578	665	741	816	939	1035	1150
DBB18-21FH	471	532	605	693	767	854	977	1080	1195
DBB21-21FH	499	564	642	736	814	905	1030	1143	1267

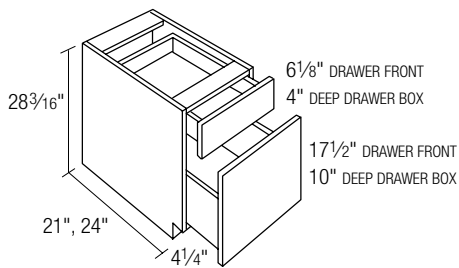


- Deep Metal Drawers are not available on cabinets less than 15" deep

## Desk Drawer Base

Price Grade	1	2	3	4	5	6	7	8	9
-------------	---	---	---	---	---	---	---	---	---

DDB12	624	688	771	869	957	1053	1194	1312	1441
DDB15	673	744	834	945	1041	1143	1294	1428	1569
DDB18	725	798	894	1014	1118	1228	1389	1526	1678
DDB21	774	855	959	1085	1193	1308	1484	1632	1793
DDB12-21	624	688	771	869	957	1053	1194	1312	1441
DDB15-21	673	744	834	945	1041	1143	1294	1428	1569
DDB18-21	725	798	894	1014	1118	1228	1389	1526	1678
DDB21-21	774	855	959	1085	1193	1308	1484	1632	1793

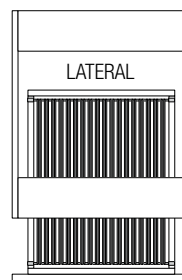
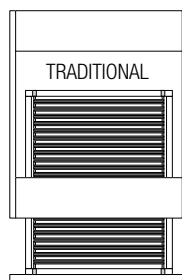


- Brackets and rails included for traditional (front to back) and lateral files (side to side); to be field-trimmed and field-installed
- 18" widths accommodate legal-size files laterally (side to side)
- Recommend attaching decorative hardware in center of file drawer
- Metal Drawers are not available
- When modifying width: minimum cabinet width is 16 7/16" for files to fit traditionally (front to back). For files to fit laterally (side to side) maximum width is 21"
- 28 3/16" maximum height without reconfiguration charge

## Desk File Drawer Base

Price Grade	1	2	3	4	5	6	7	8	9
-------------	---	---	---	---	---	---	---	---	---

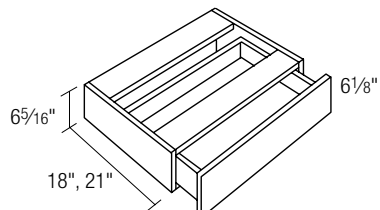
DFB18	743	821	922	1044	1144	1258	1429	1571	1723
DFB21	816	902	1011	1140	1253	1377	1563	1719	1888
DFB18-21	743	821	922	1044	1144	1258	1429	1571	1723
DFB21-21	816	902	1011	1140	1253	1377	1563	1719	1888



# Base Cabinets : Hanging Drawers

## FOR ALL HANGING DRAWERS

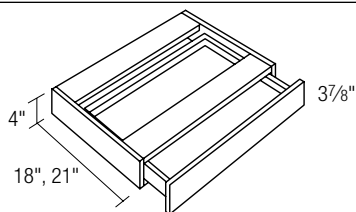
- Finished Ends not available



- Aligns with adjacent drawer fronts
- Reduced height not available; use modification HD SKU

### Hanging Drawer – 6"

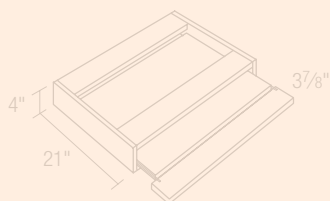
Price Grade	1	2	3	4	5	6	7	8	9
VHD18	354	387	434	489	538	592	672	740	815
VHD21	362	399	449	509	558	614	693	764	841
VHD24	375	412	460	518	572	629	712	781	862
VHD30	404	444	499	563	620	680	770	847	931
VHD18-18	354	387	434	489	538	592	672	740	815
VHD21-18	362	399	449	509	558	614	693	764	841
VHD24-18	375	412	460	518	572	629	712	781	862
VHD30-18	404	444	499	563	620	680	770	847	931



- Offers greater clearance than the 6" Hanging Drawer but does not align with adjacent drawer fronts
- Slab Drawer Front standard; 5-piece Drawer Fronts not available
- Metal Drawer not available
- Not available in Eurotek Cape May, Clermont or Lakehurst

### Hanging Drawer – 4"

Price Grade	1	2	3	4	5	6	7	8	9
HD18	354	387	434	489	538	592	672	740	815
HD21	362	399	449	509	558	614	693	764	841
HD24	375	412	460	518	572	629	712	781	862
HD27	385	426	479	540	593	655	740	814	896
HD30	404	444	499	563	620	680	770	847	931
HD36	431	477	533	607	664	726	826	907	1000
HD18-18	354	387	434	489	538	592	672	740	815
HD21-18	362	399	449	509	558	614	693	764	841
HD24-18	375	412	460	518	572	629	712	781	862
HD27-18	385	426	479	540	593	655	740	814	896
HD30-18	404	444	499	563	620	680	770	847	931
HD36-18	431	477	533	607	664	726	826	907	1000



- Depth Reduction not available
- Slab Drawer Front standard; 5-piece Drawer Fronts not available
- Uses side-mount drawer glides
- Not available in Eurotek Cape May, Clermont or Lakehurst

### Sliding Keyboard Shelf

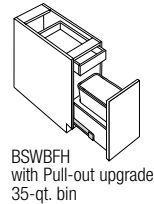
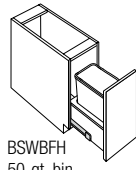
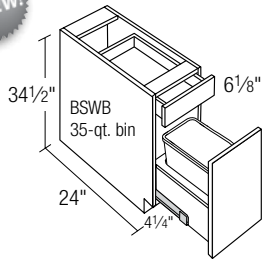
Price Grade	1	2	3	4	5	6	7	8	9
SKS30	441	479	532	600	655	717	808	884	973
SKS36	469	513	571	643	702	765	863	945	1039

DISCONTINUED

**NEW!** Desk Waste Bin Base ... see page 11.34

# Base Cabinets : Accessory Bases

**NEW!**



## Single Waste Bin Base

Price Grade	1	2	3	4	5	6	7	8	9
-------------	---	---	---	---	---	---	---	---	---

### Single Waste Bin Base

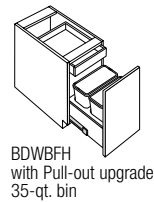
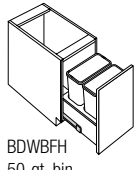
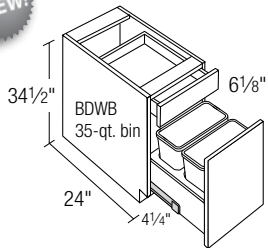
BSWB15	935	1007	1105	1219	1313	1425	1589	1720	1871
BSWB18	965	1038	1137	1248	1354	1464	1635	1776	1927

### Single Waste Bin Base; Full-Height Doors

BSWB15FH	842	922	1016	1131	1226	1341	1499	1633	1783
BSWB18FH	868	949	1048	1165	1269	1378	1549	1690	1840

- Waste bin sits in a cut-out in a Natural-finish, solid Maple, wood dovetail base
- Cabinets with a top drawer or pull-out have a 35-quart bin
- Cabinets with a full-height door and no drawer or pull-out have a 50-quart bin
- Soft Close standard
- Add a pull-out to BSWBFH; use Pull-out pricing on page 9.5
- Not available with Metal door styles

**NEW!**



## Double Waste Bin Base

Price Grade	1	2	3	4	5	6	7	8	9
-------------	---	---	---	---	---	---	---	---	---

### Double Waste Bin Base

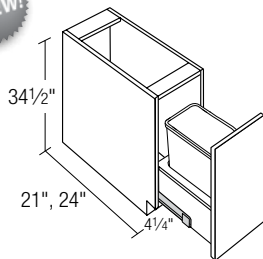
BDWB18	1113	1197	1311	1440	1562	1689	1886	2049	2223
BDWB21	1250	1343	1466	1608	1737	1871	2079	2246	2436

### Double Waste Bin Base; Full-Height Doors

BDWB18FH	1001	1095	1209	1344	1464	1590	1787	1950	2123
BDWB21FH	1142	1241	1364	1509	1637	1769	1977	2145	2336

- Waste bins sit in a cut-out in a Natural-finish, solid wood, wood dovetail base
- Cabinets with a top drawer or pull-out have two 35-quart bins
- Cabinets with a full-height door and no drawer or pull-out have two 50-quart bins
- Soft Close standard
- Add a pull-out to BDWBFH; use Pull-out pricing on page 9.5
- Not available with Metal door styles

**NEW!**



## Desk Waste Bin Base

Price Grade	1	2	3	4	5	6	7	8	9
-------------	---	---	---	---	---	---	---	---	---

### Desk Waste Bin Base

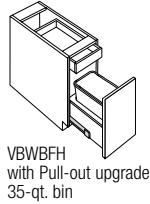
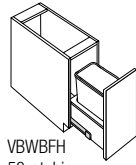
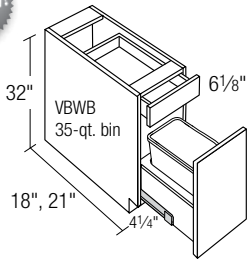
DWB15FH	777	851	938	1044	1132	1238	1384	1508	1646
DWB18FH	801	876	968	1076	1172	1272	1430	1560	1698
DWB1521FH	809	887	977	1088	1179	1289	1442	1570	1714
DWB1821FH	834	913	1008	1120	1220	1325	1489	1625	1769

- Waste bin sits in a cut-out in a Natural-finish, solid wood, wood dovetail base
- One 35-quart bin
- Soft Close standard
- Add a pull-out is not available
- Not available with Metal door styles



# Base Cabinets : Accessory Bases

NEW!



## Vanity Waste Bin Base

Price Grade	1	2	3	4	5	6	7	8	9
-------------	---	---	---	---	---	---	---	---	---

### Vanity Waste Bin Base

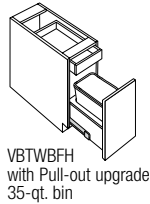
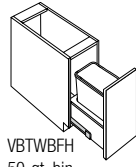
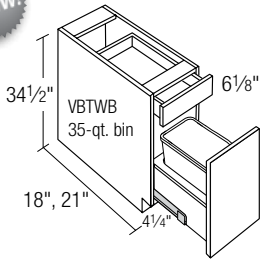
VBWB15	917	987	1083	1195	1287	1397	1558	1686	1834
VBWB18	946	1018	1115	1224	1327	1435	1603	1741	1889
VBWB1518	927	998	1095	1208	1301	1412	1573	1704	1853
VBWB1818	956	1029	1127	1236	1341	1450	1619	1759	1909

### Vanity Waste Bin Base; Full-Height Doors

VBWB15FH	826	904	996	1109	1202	1315	1470	1601	1748
VBWB18FH	851	931	1028	1142	1244	1351	1519	1657	1804
VBWB1518FH	834	914	1007	1121	1215	1328	1484	1617	1765
VBWB1818FH	860	940	1038	1154	1257	1365	1534	1673	1822

- Waste bin sits in a cut-out in a Natural-finish, solid wood, wood dovetail base
- Cabinets with a top drawer or pull-out have a 35-quart bin
- Cabinets with a full-height door and no drawer or pull-out have a 50-quart bin
- Soft Close standard
- Add a pull-out to VBWBFH; use Pull-out pricing on page 9.5
- Not available with Metal door styles

NEW!



## Tall Vanity Waste Bin Base

Price Grade	1	2	3	4	5	6	7	8	9
-------------	---	---	---	---	---	---	---	---	---

### Tall Vanity Waste Bin Base

VBTWB15	945	1018	1117	1232	1327	1440	1605	1738	1890
VBTWB18	975	1049	1149	1261	1368	1479	1652	1794	1947
VBTWB1518	936	1008	1106	1220	1314	1426	1589	1721	1872
VBTWB1818	966	1039	1138	1249	1355	1465	1636	1777	1928

### Tall Vanity Waste Bin Base; Full-Height Doors

VBTWB15FH	851	932	1027	1143	1239	1355	1514	1650	1801
VBTWB18FH	877	959	1059	1177	1282	1392	1565	1707	1859
VBTWB1518FH	843	923	1017	1132	1227	1342	1499	1634	1783
VBTWB1818FH	869	950	1049	1166	1270	1379	1550	1690	1841

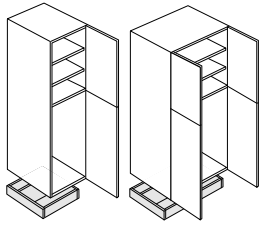
- Waste bin sits in a cut-out in a Natural-finish, solid wood, wood dovetail base
- Cabinets with a top drawer or pull-out have a 35-quart bin
- Cabinets with a full-height door and no drawer or pull-out have a 50-quart bin
- Soft Close standard
- Add a pull-out to VBTWBFH; use Pull-out pricing on page 9.5
- Not available with Metal door styles

# Table of Contents – Talls

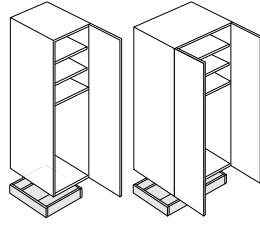
Click on any item to jump to that item's first page.

## Tall Utility Cabinets

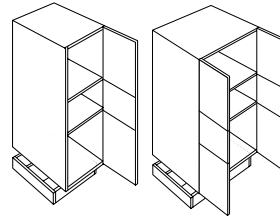
Typical dimensions: 15"-36"w, 84"-102"h, 13" or 24"d



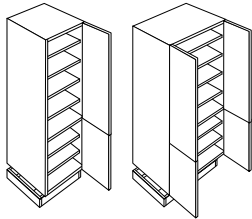
Tall Utility Cabinet  
sku ex: BC151384, BC3624102



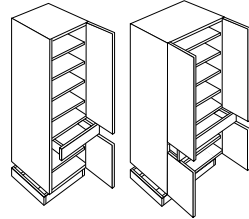
Tall-Door Utility Cabinet  
sku ex: BC151384TD, BC362496TD



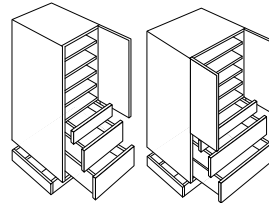
3-Door Tall Utility Cabinet  
sku ex: T3D151384, T3D3624102



Tall Utility Cabinet  
w/Full-Height Base Door  
sku ex: UTB1584, UTB3696



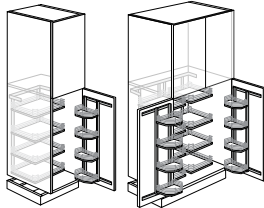
Tall Utility Cabinet  
w/Base Top Drawer  
sku ex: UTBD1584, UTBD3696



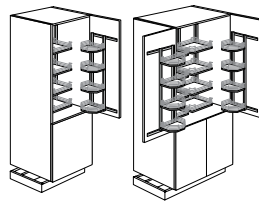
Tall Utility Cabinet  
w/Three Drawer Base  
sku ex: UT3D1584, UT3D3696

## Tall Pantry Cabinets

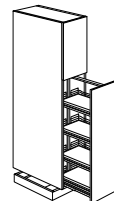
Typical dimensions: 12"-36"w, 84"-102"h, 24"d



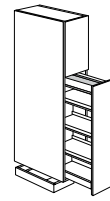
Tall Larder Cabinet  
w/Kessebohmer Organizer  
sku ex: PCTAN1884,  
PCTAN36102



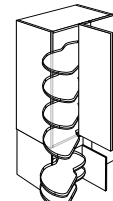
Tall Pantry Cabinet  
w/Kessebohmer Organizer  
sku ex: PCTANU1884,  
PCTANU3696



Tall Pantry Cabinet  
w/Kessebohmer Dispensa  
sku ex: PC1284KSB



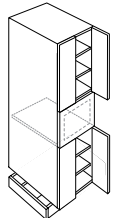
Tall Pantry Cabinet  
w/Century Pull-out  
sku ex: PC1284CC



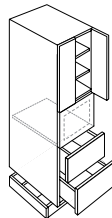
Kessebohmer Lemans  
Blind Corner "Tall"  
(Full-height door option)  
sku ex: BLB42LMS,  
BL42585KNAGV

## Tall Microwave Cabinets

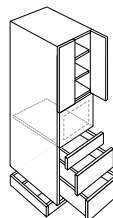
Typical dimensions:  
27"-30"w, 84"-102"h, 24"d



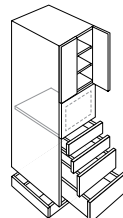
Tall Microwave  
w/Two Lower Doors  
sku ex: MWT2784D



Tall Microwave  
w/Two Drawers  
sku ex: MWT272D84



Tall Microwave  
w/Three Drawers  
sku ex: MWT273D84



Tall Microwave  
w/Four Drawers  
sku ex: MWT274D84

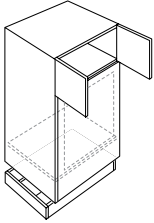
*continued >>>*

# Table of Contents – Talls

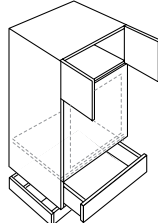
Click on any item to jump to that item's first page.

## Tall Oven Cabinets

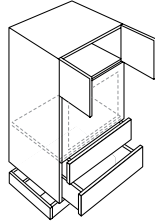
Typical dimensions: 27"-36"w, 84"-102"h, 24"d



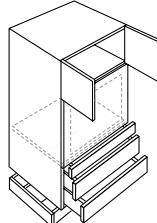
Tall Oven Cabinet  
w/Full-Height Panel  
sku ex: OV2784FH



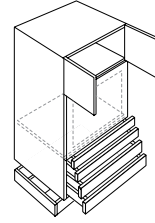
Tall Oven Cabinet  
w/One Drawer  
sku ex: OV271D84



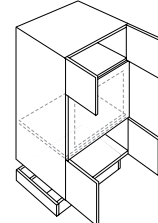
Tall Oven Cabinet  
w/Two Drawers  
sku ex: OV272D84



Tall Oven Cabinet  
w/Three Drawers  
sku ex: OV273D84



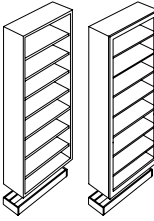
Tall Oven Cabinet  
w/Four Drawers  
sku ex: OV272D84



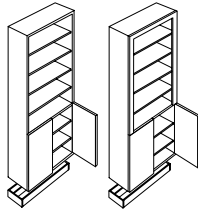
Tall Oven Cabinet  
w/Four Doors  
sku ex: OV273D84

## Tall Bookcases

Typical dimensions:  
24"-36"w, 84"-102"h, 13" or 15"d



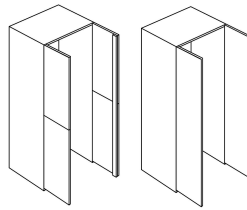
Tall Bookcase  
(Shelf Edge, Frame options)  
sku ex: BK2484, VFBK2484



Furniture Bookcase  
(Shelf Edge, Frame options)  
sku ex: TFBK2484, VFTFBK2484

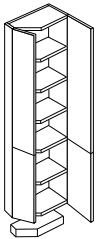
## Walk-Through Pantry

Typical dimensions:  
36"w, 84"-96"h, 24"d



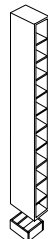
Walk-Through Pantry  
sku ex: WTP3684, WTP3696TD

## Tall Transitional Cabinet



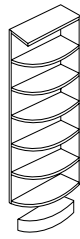
Tall Transitional Cabinet  
24"w, 84"-96"h, 12"d  
sku ex: TRT1284

## Tall Wine Cube



Tall Wine Cube  
6"w, 84"-102"h, 13"d  
sku ex: WRV84

## Tall Whatnot Cabinets



Tall Whatnot with Square Top  
24"w, 84"-102"h, 11¼"d  
sku ex: UTWN84



Tall Whatnot with Radius Top  
24"w, 84"-102"h, 11¼"d  
sku ex: UTWNR84

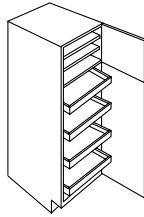
<<< continued

# Tall Cabinets : Utility Cabinets

## FOR ALL TALL UTILITY CABINETS

- Additional shelves may be ordered as accessory item; see page 17.2
- For doors prepared for glass specify top, bottom, or both; if nothing is specified, only the top section will be prepped for glass
- Toe Base Platform, recessed on front and one side, is shipped unattached
- Weight should be considered in an application where either or both sides are unsupported
- **Thermofoil and Textured Melamine horizontal patterns and grains will run vertically on all Tall cabinets (except 3-door Tall Cabinet), end panels, and doors more than 46½" high**

## Tall Pull-out Option (factory installed)



Add up to 7 Pull-outs in bottom section

With 4 or more Pull-outs a stretcher is installed below the second for added support and may reduce storage space

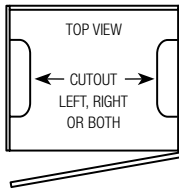
Kessebohmer Pull-outs are not available in modified widths, only available in 24" depths.

Prices are per Pull-out.

SKU List Price

	SKU	List Price
DOVETAIL PULL-OUT W/SOFT CLOSE IN BIRCH		
Cabinets 12" to 21" wide	DOVEPO	176
Cabinets over 21" wide	DOVEPOW	203
DOVETAIL PULL-OUT W/SOFT CLOSE IN WALNUT		
Cabinets 12" to 21" wide	DOVEPO	231
Cabinets over 21" wide	DOVEPOW	264
METAL PULL-OUT		
Cabinets 12" to 21" wide	METALPO	311
Cabinets over 21" wide	METALPOW	338
KESSEBOHMER PULL-OUT		
Cabinets 15", 18" & 21" wide	KSBPO	917
Cabinets 24" wide	KSBPOW	971

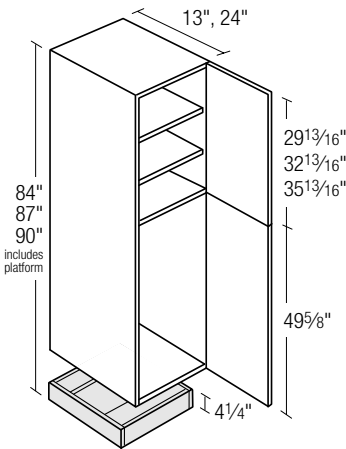
## Broom Handle Cut-out Option



- Adds an edgebanded opening (13<sup>5</sup>/<sub>16</sub>"x4<sup>1</sup>/<sub>2</sub>") in the fixed shelf of a Tall Utility cabinet to accommodate broom and mop handles
- Minimum width of 10" for single cutout, 13" for double cutout
- Cabinet must be at least 12<sup>1</sup>/<sub>8</sub>" deep

SKU List Price

	SKU	List Price
Left side	CUTOUTL	No Charge
Right side	CUTOUTR	No Charge
Both sides	CUTOUTB	No Charge



- Designate L/R hinge (right shown)
- In top section: 84", 87" and 90" high have one fixed shelf and two adjustable shelves; 93", 96" and 99" high have one fixed shelf and three adjustable shelves; 102" high has one fixed shelf and four adjustable shelves

## Utility Cabinet 15"-24" Wide; 84"-90" High

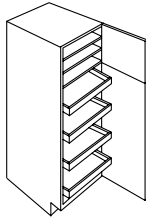
Price Grade	1	2	3	4	5	6	7	8	9
BC151384	797	928	1060	1207	1340	1490	1699	1885	2090
BC152484	948	1064	1196	1352	1485	1635	1850	2033	2239
BC181384	836	971	1108	1263	1404	1563	1784	1976	2188
BC182484	991	1108	1245	1406	1548	1708	1932	2123	2337
BC211384	933	1082	1226	1401	1558	1731	1971	2181	2418
BC212484	1084	1217	1367	1546	1701	1874	2120	2333	2564
BC241384-1	1028	1193	1352	1542	1712	1901	2161	2389	2649
BC242484-1	1178	1328	1491	1685	1856	2042	2309	2539	2796
BC151387	836	974	1113	1273	1415	1574	1795	1992	2210
BC152487	1003	1128	1266	1431	1575	1733	1961	2156	2373
BC181387	877	1021	1164	1330	1476	1643	1877	2081	2305
BC182487	1046	1173	1317	1487	1636	1805	2042	2244	2471
BC211387	977	1138	1290	1471	1637	1818	2074	2296	2542
BC212487	1144	1284	1444	1631	1795	1977	2236	2461	2706
BC241387-1	1075	1250	1417	1617	1794	1994	2271	2511	2783
BC242487-1	1244	1400	1570	1776	1954	2150	2433	2675	2943
BC151390	876	1021	1168	1337	1490	1657	1892	2101	2328
BC152490	1059	1193	1334	1510	1666	1829	2071	2277	2506
BC181390	916	1070	1220	1395	1550	1724	1971	2186	2423
BC182490	1101	1238	1389	1569	1724	1902	2151	2364	2605
BC211390	1022	1193	1353	1544	1715	1907	2175	2412	2668
BC212490	1206	1353	1520	1716	1888	2080	2352	2590	2846
BC241390-1	1124	1307	1485	1693	1877	2085	2381	2632	2916
BC242490-1	1310	1470	1649	1866	2053	2258	2557	2810	3094

# Tall Cabinets : Utility Cabinets

## FOR ALL TALL UTILITY CABINETS

- Additional shelves may be ordered as accessory item; see page 17.2
- For doors prepared for glass specify top, bottom, or both; if nothing is specified, only the top section will be prepped for glass
- Toe Base Platform, recessed on front and one side, is shipped unattached
- Weight should be considered in an application where either or both sides are unsupported
- **Thermofoil and Textured Melamine horizontal patterns and grains will run vertically on all Tall cabinets (except 3-door Tall Cabinet), end panels, and doors more than 46 1/2" high**

## Tall Pull-out Option (factory installed)



Add up to 7 Pull-outs in bottom section

With 4 or more Pull-outs a stretcher is installed below the second for added support and may reduce storage space

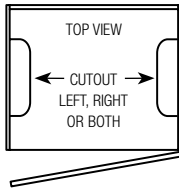
Kessebohmer Pull-outs are not available in modified widths, only available in 24" depths.

Prices are per Pull-out.

SKU List Price

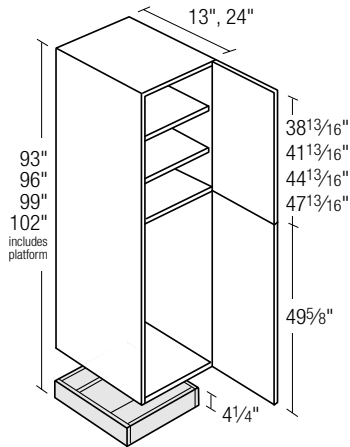
	SKU	List Price
DOVETAIL PULL-OUT W/SOFT CLOSE IN BIRCH		
Cabinets 12" to 21" wide	DOVEPO	176
Cabinets over 21" wide	DOVEPOW	203
DOVETAIL PULL-OUT W/SOFT CLOSE IN WALNUT		
Cabinets 12" to 21" wide	DOVEPO	231
Cabinets over 21" wide	DOVEPOW	264
METAL PULL-OUT		
Cabinets 12" to 21" wide	METALPO	311
Cabinets over 21" wide	METALPOW	338
KESSEBOHMER PULL-OUT		
Cabinets 15", 18" & 21" wide	KSBPO	917
Cabinets 24" wide	KSBPOW	971

## Broom Handle Cut-out Option



- Adds an edgebanded opening (13 5/16" x 4 1/2") in the fixed shelf of a Tall Utility cabinet to accommodate broom and mop handles
- Minimum width of 10" for single cutout, 13" for double cutout
- Cabinet must be at least 12 1/8" deep

	SKU	List Price
Left side	CUTOUTL	No Charge
Right side	CUTOUTR	No Charge
Both sides	CUTOUTB	No Charge



- Designate L/R hinge (right shown)
- In top section: 84", 87" and 90" high have one fixed shelf and two adjustable shelves; 93", 96" and 99" high have one fixed shelf and three adjustable shelves; 102" high has one fixed shelf and four adjustable shelves

## Utility Cabinet 15"-24" Wide; 93"-102" High

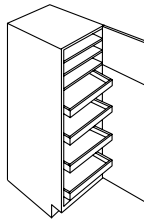
Price Grade	1	2	3	4	5	6	7	8	9
BC151393	941	1101	1256	1437	1602	1781	2033	2261	2503
BC152493	1139	1281	1435	1624	1790	1967	2227	2449	2696
BC181393	981	1147	1308	1495	1661	1850	2114	2345	2598
BC182493	1180	1329	1490	1683	1851	2037	2305	2536	2792
BC211393	1098	1279	1455	1659	1845	2051	2340	2593	2868
BC212493	1294	1457	1635	1847	2031	2236	2531	2787	3063
BC241393-1	1213	1406	1598	1824	2023	2245	2563	2840	3143
BC242493-1	1410	1584	1779	2012	2211	2434	2758	3030	3334
BC151396	1007	1181	1341	1540	1713	1907	2177	2417	2681
BC152496	1218	1373	1541	1739	1913	2105	2385	2625	2885
BC181396	1046	1226	1395	1596	1776	1975	2257	2501	2771
BC182496	1260	1419	1589	1796	1977	2175	2461	2709	2981
BC211396	1170	1367	1553	1776	1975	2193	2501	2772	3069
BC212496	1385	1558	1750	1977	2175	2389	2709	2982	3277
BC241396-1	1301	1508	1710	1954	2167	2407	2746	3043	3368
BC242496-1	1512	1699	1908	2156	2371	2608	2956	3248	3576
BC151399	1181	1368	1535	1750	1933	2139	2427	2682	2965
BC152499	1405	1571	1754	1963	2143	2351	2650	2907	3182
BC181399	1219	1413	1591	1804	1998	2209	2506	2766	3053
BC182499	1447	1618	1796	2018	2212	2419	2725	2989	3277
BC211399	1351	1565	1761	2000	2214	2444	2771	3060	3379
BC212499	1584	1769	1972	2216	2425	2650	2993	3285	3600
BC241399-1	1497	1719	1930	2191	2420	2678	3038	3355	3702
BC242499-1	1721	1921	2143	2408	2638	2889	3262	3574	3926
BC1513102	1415	1624	1805	2047	2248	2479	2799	3081	3399
BC1524102	1662	1848	2054	2284	2481	2715	3049	3335	3639
BC1813102	1453	1671	1866	2102	2320	2553	2881	3169	3487
BC1824102	1707	1897	2094	2340	2557	2783	3125	3419	3737
BC2113102	1599	1840	2057	2324	2564	2817	3179	3500	3858
BC2124102	1863	2069	2293	2566	2797	3045	3428	3753	4103
BC2413102-1	1768	2016	2247	2537	2793	3082	3482	3834	4220
BC2424102-1	2016	2239	2486	2781	3037	3315	3732	4079	4473

# Tall Cabinets : Utility Cabinets

## FOR ALL TALL UTILITY CABINETS

- Additional shelves may be ordered as accessory item; see page 17.2
- For doors prepared for glass specify top, bottom, or both; if nothing is specified, only the top section will be prepped for glass
- Toe Base Platform, recessed on front and one side, is shipped unattached
- Weight should be considered in an application where either or both sides are unsupported
- **Thermofoil and Textured Melamine horizontal patterns and grains will run vertically on all Tall cabinets (except 3-door Tall Cabinet), end panels, and doors more than 46½" high**

## Tall Pull-out Option (factory installed)



Add up to 7 Pull-outs in bottom section

With 4 or more Pull-outs a stretcher is installed below the second for added support and may reduce storage space

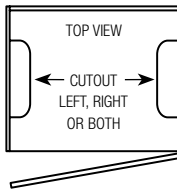
Kessebohmer Pull-outs are not available in modified widths, only available in 24" depths.

Prices are per Pull-out.

SKU List Price

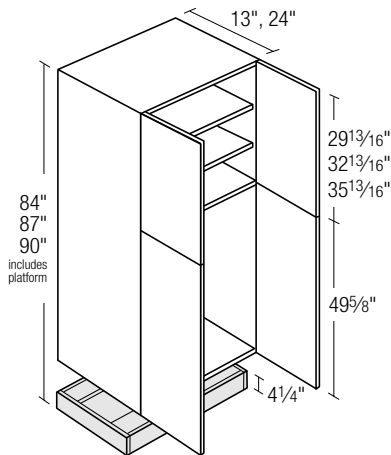
	SKU	List Price
DOVETAIL PULL-OUT W/SOFT CLOSE IN BIRCH		
Cabinets 12" to 21" wide	DOVEPO	176
Cabinets over 21" wide	DOVEPOW	203
DOVETAIL PULL-OUT W/SOFT CLOSE IN WALNUT		
Cabinets 12" to 21" wide	DOVEPO	231
Cabinets over 21" wide	DOVEPOW	264
METAL PULL-OUT		
Cabinets 12" to 21" wide	METALPO	311
Cabinets over 21" wide	METALPOW	338
KESSEBOHMER PULL-OUT		
Cabinets 15", 18" & 21" wide	KSBPO	917
Cabinets 24" wide	KSBPOW	971

## Broom Handle Cut-out Option



- Adds an edgebanded opening (13<sup>5</sup>/<sub>16</sub>"x4<sup>1</sup>/<sub>2</sub>") in the fixed shelf of a Tall Utility cabinet to accommodate broom and mop handles
- Minimum width of 10" for single cutout, 13" for double cutout
- Cabinet must be at least 12<sup>1</sup>/<sub>8</sub>" deep

	SKU	List Price
Left side	CUTOURL	No Charge
Right side	COUTOUR	No Charge
Both sides	CUTOURLB	No Charge



- In top section: 84", 87" and 90" high have one fixed shelf and two adjustable shelves; 93", 96" and 99" high have one fixed shelf and three adjustable shelves; 102" high has one fixed shelf and four adjustable shelves

## Utility Cabinet 24"-36" Wide; 84"-90" High

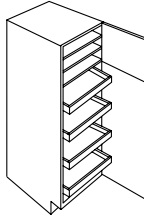
Price Grade	1	2	3	4	5	6	7	8	9
BC241384	1028	1193	1352	1542	1712	1901	2161	2389	2649
BC242484	1178	1328	1491	1685	1856	2042	2309	2539	2796
BC271384	1104	1277	1448	1646	1829	2025	2308	2555	2826
BC272484	1253	1414	1587	1792	1975	2169	2456	2700	2973
BC301384	1178	1360	1541	1754	1944	2155	2453	2715	3001
BC302484	1329	1496	1679	1902	2092	2299	2605	2863	3149
BC331384	1253	1444	1635	1862	2061	2283	2600	2875	3177
BC332484	1406	1711	1919	2174	2390	2629	2977	3273	3599
BC361384	1329	1527	1731	1969	2179	2410	2746	3036	3354
BC362484	1483	1926	2160	2444	2688	2958	3349	3682	4048
BC241387	1075	1250	1417	1617	1794	1994	2271	2511	2783
BC242487	1244	1400	1570	1776	1954	2150	2433	2675	2943
BC271387	1153	1335	1514	1725	1914	2122	2419	2679	2963
BC272487	1318	1487	1668	1885	2075	2280	2581	2841	3125
BC301387	1226	1418	1608	1834	2033	2253	2568	2842	3143
BC302487	1393	1571	1762	1996	2192	2414	2732	3007	3304
BC331387	1302	1503	1705	1944	2153	2386	2717	3006	3323
BC332487	1471	1791	2008	2273	2499	2750	3111	3424	3765
BC361387	1378	1588	1801	2053	2272	2517	2867	3171	3504
BC362487	1548	2012	2254	2551	2804	3087	3491	3841	4227
BC241390	1124	1307	1485	1693	1877	2085	2381	2632	2916
BC242490	1310	1470	1649	1866	2053	2258	2557	2810	3094
BC271390	1202	1393	1580	1805	1999	2218	2530	2801	3100
BC272490	1385	1558	1750	1977	2175	2389	2709	2982	3277
BC301390	1277	1476	1678	1913	2123	2351	2684	2967	3282
BC302490	1461	1644	1845	2088	2294	2528	2858	3147	3460
BC331390	1352	1562	1775	2025	2245	2487	2834	3136	3467
BC332490	1538	1870	2097	2372	2608	2872	3247	3574	3932
BC361390	1428	1648	1872	2136	2368	2625	2986	3304	3653
BC362490	1614	2097	2349	2656	2922	3215	3635	4001	4402

# Tall Cabinets : Utility Cabinets

## FOR ALL TALL UTILITY CABINETS

- Additional shelves may be ordered as accessory item; see page 17.2
- For doors prepared for glass specify top, bottom, or both; if nothing is specified, only the top section will be prepped for glass
- Toe Base Platform, recessed on front and one side, is shipped unattached
- Weight should be considered in an application where either or both sides are unsupported
- **Thermofoil and Textured Melamine horizontal patterns and grains will run vertically on all Tall cabinets (except 3-door Tall Cabinet), end panels, and doors more than 46½" high**

## Tall Pull-out Option (factory installed)



Add up to 7 Pull-outs in bottom section

With 4 or more Pull-outs a stretcher is installed below the second for added support and may reduce storage space

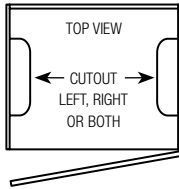
Kessebohmer Pull-outs are not available in modified widths, only available in 24" depths.

Prices are per Pull-out.

SKU List Price

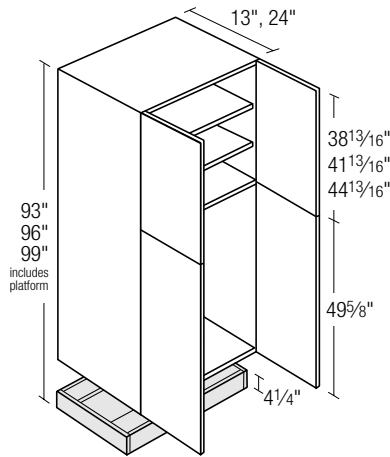
	SKU	List Price
DOVETAIL PULL-OUT W/SOFT CLOSE IN BIRCH		
Cabinets 12" to 21" wide	DOVEPO	176
Cabinets over 21" wide	DOVEPOW	203
DOVETAIL PULL-OUT W/SOFT CLOSE IN WALNUT		
Cabinets 12" to 21" wide	DOVEPO	231
Cabinets over 21" wide	DOVEPOW	264
METAL PULL-OUT		
Cabinets 12" to 21" wide	METALPO	311
Cabinets over 21" wide	METALPOW	338
KESSEBOHMER PULL-OUT		
Cabinets 15", 18" & 21" wide	KSBPO	917
Cabinets 24" wide	KSBPOW	971

## Broom Handle Cut-out Option



- Adds an edgebanded opening (13<sup>5</sup>/<sub>16</sub>"x4<sup>1</sup>/<sub>2</sub>") in the fixed shelf of a Tall Utility cabinet to accommodate broom and mop handles
- Minimum width of 10" for single cutout, 13" for double cutout
- Cabinet must be at least 12<sup>1</sup>/<sub>8</sub>" deep

	SKU	List Price
Left side	CUTOUL	No Charge
Right side	COUTOUL	No Charge
Both sides	CUTOUB	No Charge



- In top section: 84", 87" and 90" high have one fixed shelf and two adjustable shelves; 93", 96" and 99" high have one fixed shelf and three adjustable shelves; 102" high has one fixed shelf and four adjustable shelves

## Utility Cabinet 24"-36" Wide; 93"-99" High

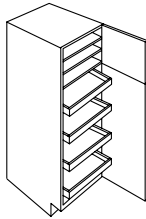
Price Grade	1	2	3	4	5	6	7	8	9
BC241393	1213	1406	1598	1824	2023	2245	2563	2840	3143
BC242493	1410	1584	1779	2012	2211	2434	2758	3030	3334
BC271393	1300	1504	1706	1947	2160	2398	2732	3026	3349
BC272493	1495	1683	1890	2135	2348	2582	2925	3220	3541
BC301393	1385	1600	1815	2073	2295	2545	2900	3212	3550
BC302493	1581	1780	1997	2261	2485	2734	3095	3403	3744
BC331393	1470	1698	1925	2195	2433	2696	3070	3400	3756
BC332493	1667	2030	2276	2574	2831	3116	3525	3878	4266
BC361393	1555	1795	2035	2319	2572	2848	3241	3588	3962
BC362493	1752	2280	2555	2886	3178	3497	3957	4352	4789
BC241396	1301	1508	1710	1954	2167	2407	2746	3043	3368
BC242496	1512	1699	1908	2156	2371	2608	2956	3248	3576
BC271396	1395	1616	1833	2093	2320	2573	2932	3248	3593
BC272496	1607	1807	2028	2293	2524	2772	3143	3458	3803
BC301396	1490	1721	1954	2228	2471	2738	3120	3457	3818
BC302496	1701	1914	2150	2430	2675	2939	3329	3660	4029
BC331396	1587	1831	2075	2364	2625	2904	3307	3662	4046
BC332496	1796	2188	2455	2774	3055	3359	3803	4183	4602
BC361396	1683	1941	2196	2500	2778	3071	3494	3869	4272
BC362496	1892	2461	2762	3119	3434	3780	4278	4706	5175
BC241399	1497	1719	1930	2191	2420	2678	3038	3355	3702
BC242499	1721	1921	2143	2408	2638	2889	3262	3574	3926
BC271399	1600	1835	2069	2345	2587	2855	3241	3578	3945
BC272499	1828	2040	2274	2558	2807	3070	3468	3803	4174
BC301399	1703	1949	2202	2492	2755	3039	3448	3810	4194
BC302499	1929	2156	2409	2708	2973	3254	3672	4026	4422
BC331399	1810	2072	2334	2640	2925	3221	3652	4034	4443
BC332499	2035	2453	2743	3083	3385	3711	4188	4597	5045
BC361399	1918	2194	2467	2790	3094	3403	3856	4259	4691
BC362499	2140	2750	3075	3459	3798	4170	4706	5167	5670

# Tall Cabinets : Utility Cabinets

## FOR ALL TALL UTILITY CABINETS

- Additional shelves may be ordered as accessory item; see page 17.2
- For doors prepared for glass specify top, bottom, or both; if nothing is specified, only the top section will be prepped for glass
- Toe Base Platform, recessed on front and one side, is shipped unattached
- Weight should be considered in an application where either or both sides are unsupported
- **Thermofoil and Textured Melamine horizontal patterns and grains will run vertically on all Tall cabinets (except 3-door Tall Cabinet), end panels, and doors more than 46½" high**

## Tall Pull-out Option (factory installed)



Add up to 7 Pull-outs in bottom section

With 4 or more Pull-outs a stretcher is installed below the second for added support and may reduce storage space

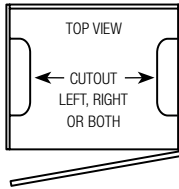
Kessebohrer Pull-outs are not available in modified widths, only available in 24" depths.

Prices are per Pull-out.

SKU List Price

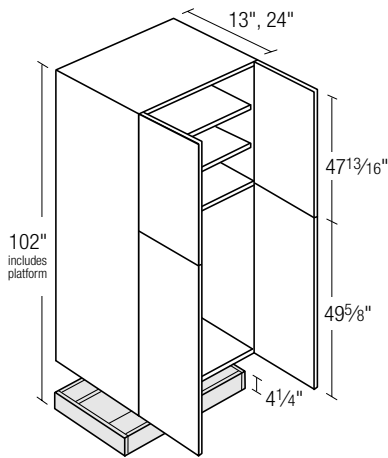
	SKU	List Price
DOVETAIL PULL-OUT W/SOFT CLOSE IN BIRCH		
Cabinets 12" to 21" wide	DOVEPO	176
Cabinets over 21" wide	DOVEPOW	203
DOVETAIL PULL-OUT W/SOFT CLOSE IN WALNUT		
Cabinets 12" to 21" wide	DOVEPO	231
Cabinets over 21" wide	DOVEPOW	264
METAL PULL-OUT		
Cabinets 12" to 21" wide	METALPO	311
Cabinets over 21" wide	METALPOW	338
KESSEBOHRER PULL-OUT		
Cabinets 15", 18" & 21" wide	KSBPO	917
Cabinets 24" wide	KSBPOW	971

## Broom Handle Cut-out Option



- Adds an edgebanded opening (13<sup>5</sup>/<sub>16</sub>"x4<sup>1</sup>/<sub>2</sub>") in the fixed shelf of a Tall Utility cabinet to accommodate broom and mop handles
- Minimum width of 10" for single cutout, 13" for double cutout
- Cabinet must be at least 12<sup>1</sup>/<sub>8</sub>" deep

	SKU	List Price
Left side	CUTOUL	No Charge
Right side	COUTR	No Charge
Both sides	COUTB	No Charge



## Utility Cabinet 24"-36" Wide; 102" High

Price Grade	1	2	3	4	5	6	7	8	9
BC2413102	1768	2016	2247	2537	2793	3082	3482	3834	4220
BC2424102	2016	2239	2486	2781	3037	3315	3732	4079	4473
BC2713102	1885	2146	2408	2715	2984	3280	3711	4087	4495
BC2724102	2139	2374	2634	2951	3231	3522	3967	4338	4753
BC3013102	2001	2275	2559	2880	3178	3492	3949	4353	4780
BC3024102	2255	2506	2790	3120	3418	3732	4199	4593	5036
BC3313102	2124	2417	2709	3048	3372	3699	4180	4608	5062
BC3324102	2376	2841	3168	3545	3885	4250	4784	5240	5742
BC3613102	2248	2558	2860	3219	3565	3905	4411	4861	5345
BC3624102	2496	3176	3543	3971	4351	4768	5369	5887	6448

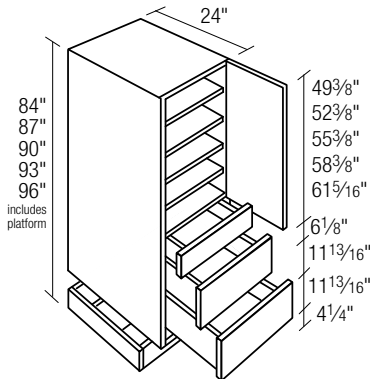
- In top section: 84", 87" and 90" high have one fixed shelf and two adjustable shelves; 93", 96" and 99" high have one fixed shelf and three adjustable shelves; 102" high has one fixed shelf and four adjustable shelves



# Tall Cabinets : Utility Cabinets

FOR ALL TALL UTILITY CABINETS

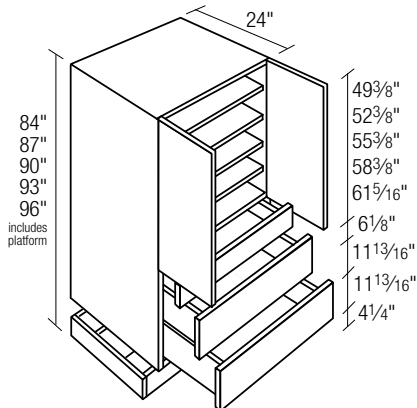
- Additional shelves may be ordered as accessory item; see page 17.2
- For doors prepared for glass specify top, bottom, or both; if nothing is specified, only the top section will be prepped for glass
- Toe Base Platform, recessed on front and one side, is shipped unattached
- Weight should be considered in an application where either or both sides are unsupported
- **Thermofoil and Textured Melamine horizontal patterns and grains will run vertically on all Tall cabinets (except 3-door Tall Cabinet), end panels, and doors more than 46 1/2" high**



- Designate L/R hinge (right shown)
- 84", 87" and 90" high have one fixed shelf and four adjustable shelves; 93" and 96" high have one fixed shelf and five adjustable shelves
- Deep Metal Drawers are not available on cabinets less than 15" deep

## Utility Cabinet with Drawers 15"-24" Wide

Price Grade	1	2	3	4	5	6	7	8	9
UT3D1584	1207	1378	1566	1786	1986	2211	2537	2827	3148
UT3D1884	1271	1451	1645	1875	2085	2319	2658	2961	3298
UT3D2184	1365	1561	1771	2017	2237	2492	2847	3171	3527
UT3D2484-1	1458	1671	1893	2154	2388	2656	3038	3378	3758
UT3D1587	1279	1462	1659	1892	2104	2345	2690	2998	3337
UT3D1887	1347	1540	1746	1988	2211	2458	2818	3139	3494
UT3D2187	1447	1655	1876	2136	2372	2639	3017	3359	3739
UT3D2487-1	1546	1771	2005	2283	2532	2816	3220	3579	3984
UT3D1590	1352	1544	1753	1999	2223	2478	2845	3170	3524
UT3D1890	1422	1626	1844	2101	2337	2598	2977	3316	3692
UT3D2190	1529	1749	1983	2258	2506	2789	3188	3549	3952
UT3D2490-1	1635	1871	2120	2412	2675	2974	3402	3781	4208
UT3D1593	1453	1659	1884	2150	2388	2665	3056	3406	3791
UT3D1893	1527	1749	1983	2261	2511	2792	3201	3566	3969
UT3D2193	1644	1877	2131	2427	2694	2998	3428	3815	4250
UT3D2493-1	1749	2001	2269	2581	2861	3181	3642	4047	4502
UT3D1596	1553	1776	2018	2300	2556	2850	3269	3646	4056
UT3D1896	1635	1871	2120	2417	2686	2987	3422	3813	4246
UT3D2196	1759	2010	2280	2596	2882	3206	3665	4082	4544
UT3D2496-1	1871	2142	2428	2763	3065	3403	3896	4331	4819



- 84", 87" and 90" high have one fixed shelf and four adjustable shelves; 93" and 96" high have one fixed shelf and five adjustable shelves
- Deep Metal Drawers are not available on cabinets less than 15" deep

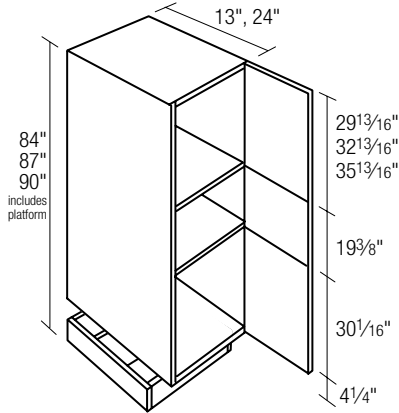
## Utility Cabinet with Drawers 24"-36" Wide

Price Grade	1	2	3	4	5	6	7	8	9
UT3D2484	1458	1671	1893	2154	2388	2656	3038	3378	3758
UT3D2784	1533	1754	1989	2261	2507	2788	3187	3542	3935
UT3D3084	1613	1838	2079	2370	2626	2913	3332	3700	4115
UT3D3384	1687	2053	2321	2641	2924	3243	3704	4109	4562
UT3D3684	1762	2268	2563	2912	3222	3572	4076	4519	5009
UT3D2487	1546	1771	2005	2283	2532	2816	3220	3579	3984
UT3D2787	1625	1861	2106	2397	2658	2954	3378	3754	4173
UT3D3087	1709	1949	2204	2512	2783	3089	3533	3922	4363
UT3D3387	1788	2177	2459	2799	3099	3438	3926	4355	4836
UT3D3687	1867	2404	2716	3087	3415	3787	4321	4789	5309
UT3D2490	1635	1871	2120	2412	2675	2974	3402	3781	4208
UT3D2790	1717	1966	2226	2531	2807	3121	3569	3965	4408
UT3D3090	1806	2059	2326	2654	2939	3263	3732	4144	4608
UT3D3390	1889	2299	2598	2957	3274	3631	4148	4602	5110
UT3D3690	1972	2539	2870	3261	3608	3999	4564	5060	5611
UT3D2493	1749	2001	2269	2581	2861	3181	3642	4047	4502
UT3D2793	1837	2103	2382	2708	3006	3339	3816	4244	4717
UT3D3093	1932	2206	2492	2840	3145	3490	3993	4432	4932
UT3D3393	2022	2462	2781	3165	3504	3886	4439	4923	5467
UT3D3693	2112	2718	3071	3489	3863	4281	4883	5414	6003
UT3D2496	1871	2142	2428	2763	3065	3403	3896	4331	4819
UT3D2796	1965	2250	2549	2898	3215	3573	4085	4540	5047
UT3D3096	2066	2359	2665	3038	3365	3736	4273	4744	5276
UT3D3396	2162	2635	2976	3387	3749	4158	4750	5269	5850
UT3D3696	2259	2910	3286	3735	4132	4579	5227	5793	6424

# Tall Cabinets : Utility Cabinets

FOR ALL TALL UTILITY CABINETS

- Additional shelves may be ordered as accessory item; see page 17.2
- For doors prepared for glass specify top, bottom, or both; if nothing is specified, only the top section will be prepped for glass
- Toe Base Platform, recessed on front and one side, is shipped unattached
- Weight should be considered in an application where either or both sides are unsupported
- **Thermofoil and Textured Melamine horizontal patterns and grains will run vertically on all Tall cabinets (except 3-door Tall Cabinet), end panels, and doors more than 46½" high**



- Designate L/R hinge (right shown)
- **Doors will have horizontal grain when horizontal finish is specified**

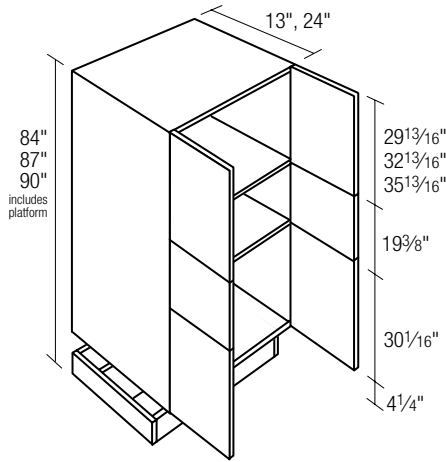
## 3-Door Tall Cabinet – 84"-90" High; 15"-24" Wide

Price Grade	1	2	3	4	5	6	7	8	9
T3D151384	1046	1152	1293	1458	1605	1765	1995	2193	2412
T3D152484	1158	1274	1430	1613	1775	1952	2206	2424	2668
T3D181384	1098	1207	1355	1526	1679	1848	2088	2295	2526
T3D182484	1210	1332	1494	1684	1851	2037	2302	2531	2786
T3D211384	1218	1339	1503	1694	1865	2051	2316	2549	2802
T3D212484	1330	1462	1641	1849	2035	2238	2530	2785	3063
T3D241384-1	1335	1469	1648	1861	2047	2252	2545	2798	3076
T3D242484-1	1450	1596	1789	2019	2219	2442	2760	3035	3337
T3D151387	1105	1217	1364	1540	1694	1863	2105	2316	2548
T3D152487	1228	1352	1519	1711	1883	2072	2341	2573	2830
T3D181387	1155	1271	1424	1606	1767	1944	2196	2416	2658
T3D182487	1280	1408	1579	1779	1957	2154	2434	2676	2943
T3D211387	1278	1407	1578	1778	1959	2154	2433	2675	2942
T3D212487	1404	1542	1732	1950	2148	2361	2667	2935	3229
T3D241387-1	1403	1543	1731	1950	2148	2362	2668	2935	3229
T3D242487-1	1527	1680	1884	2125	2338	2572	2905	3196	3514
T3D151390	1165	1281	1436	1620	1782	1962	2215	2439	2682
T3D152490	1301	1431	1606	1809	1991	2191	2475	2721	2994
T3D181390	1213	1333	1495	1686	1855	2041	2305	2535	2790
T3D182490	1350	1485	1663	1875	2061	2269	2564	2822	3105
T3D211390	1338	1471	1654	1864	2051	2257	2550	2803	3085
T3D212490	1475	1623	1820	2053	2258	2482	2804	3087	3395
T3D241390-1	1467	1615	1811	2043	2247	2472	2792	3071	3380
T3D242490-1	1604	1765	1977	2232	2456	2702	3052	3357	3692

# Tall Cabinets : Utility Cabinets

FOR ALL TALL UTILITY CABINETS

- Additional shelves may be ordered as accessory item; see page 17.2
- For doors prepared for glass specify top, bottom, or both; if nothing is specified, only the top section will be prepped for glass
- Toe Base Platform, recessed on front and one side, is shipped unattached
- Weight should be considered in an application where either or both sides are unsupported
- **Thermofoil and Textured Melamine horizontal patterns and grains will run vertically on all Tall cabinets (except 3-door Tall Cabinet), end panels, and doors more than 46 1/2" high**



- Doors will have horizontal grain when horizontal finish is specified

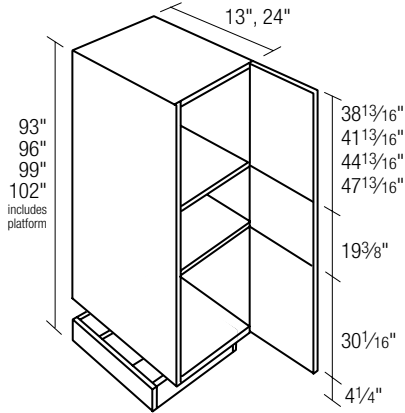
## 3-Door Tall Cabinet – 84"-90" High; 24"-36" Wide

Price Grade	1	2	3	4	5	6	7	8	9
T3D241384	1335	1469	1648	1861	2047	2252	2545	2798	3076
T3D242484	1450	1596	1789	2019	2219	2442	2760	3035	3337
T3D271384	1430	1574	1763	1989	2188	2407	2719	2991	3292
T3D272484	1545	1698	1906	2149	2363	2599	2936	3230	3551
T3D301384	1521	1673	1875	2115	2326	2559	2894	3181	3500
T3D302484	1634	1796	2018	2273	2500	2749	3108	3417	3760
T3D331384	1608	1771	1989	2240	2466	2713	3066	3371	3708
T3D332484	1867	2053	2303	2598	2857	3144	3550	3906	4297
T3D361384	1701	1872	2101	2369	2606	2866	3240	3563	3920
T3D362484	2101	2310	2593	2923	3215	3537	3994	4395	4832
T3D241387	1403	1543	1731	1950	2148	2362	2668	2935	3229
T3D242487	1527	1680	1884	2125	2338	2572	2905	3196	3514
T3D271387	1495	1645	1846	2081	2289	2520	2847	3131	3443
T3D272487	1623	1784	2001	2257	2482	2729	3084	3393	3733
T3D301387	1589	1750	1962	2212	2433	2676	3025	3326	3658
T3D302487	1714	1885	2115	2385	2623	2884	3260	3587	3945
T3D331387	1680	1850	2076	2342	2576	2833	3202	3521	3872
T3D332487	1953	2148	2408	2716	2988	3287	3714	4086	4496
T3D361387	1776	1953	2191	2471	2716	2989	3379	3715	4087
T3D362487	2192	2410	2706	3049	3354	3691	4171	4586	5045
T3D241390	1467	1615	1811	2043	2247	2472	2792	3071	3380
T3D242490	1604	1765	1977	2232	2456	2702	3052	3357	3692
T3D271390	1563	1719	1928	2175	2390	2631	2974	3270	3597
T3D272490	1700	1870	2099	2364	2600	2859	3233	3555	3913
T3D301390	1658	1826	2048	2309	2538	2793	3155	3472	3817
T3D302490	1793	1971	2213	2496	2745	3018	3412	3754	4128
T3D331390	1752	1929	2163	2441	2685	2954	3337	3671	4038
T3D332490	2040	2240	2515	2835	3120	3432	3877	4267	4694
T3D361390	1849	2035	2282	2573	2828	3113	3517	3870	4256
T3D362490	2285	2511	2819	3177	3493	3842	4344	4779	5257

# Tall Cabinets : Utility Cabinets

FOR ALL TALL UTILITY CABINETS

- Additional shelves may be ordered as accessory item; see page 17.2
- For doors prepared for glass specify top, bottom, or both; if nothing is specified, only the top section will be prepped for glass
- Toe Base Platform, recessed on front and one side, is shipped unattached
- Weight should be considered in an application where either or both sides are unsupported
- **Thermofoil and Textured Melamine horizontal patterns and grains will run vertically on all Tall cabinets (except 3-door Tall Cabinet), end panels, and doors more than 46½" high**



- Designate L/R hinge (right shown)
- **Doors will have horizontal grain when horizontal finish is specified**

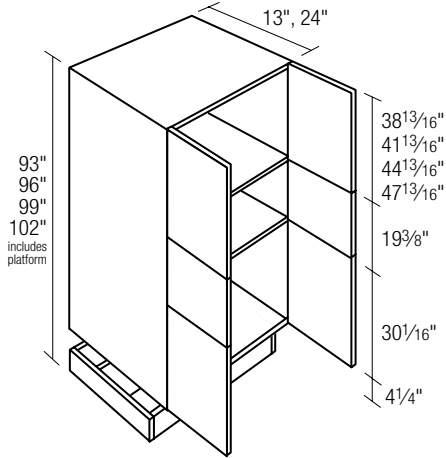
## 3-Door Tall Cabinet – 93"-102" High; 15"-24" Wide

Price Grade	1	2	3	4	5	6	7	8	9
T3D151393	1251	1377	1545	1742	1914	2106	2381	2619	2881
T3D152493	1398	1540	1725	1944	2141	2353	2661	2926	3220
T3D181393	1300	1430	1604	1808	1990	2189	2474	2720	2993
T3D182493	1447	1594	1786	2014	2214	2437	2752	3030	3331
T3D211393	1441	1584	1779	2005	2207	2427	2743	3015	3321
T3D212493	1587	1748	1962	2209	2430	2672	3020	3324	3655
T3D241393-1	1579	1739	1950	2199	2419	2662	3009	3310	3641
T3D242493-1	1727	1902	2134	2406	2645	2910	3286	3618	3978
T3D151396	1337	1470	1649	1862	2048	2253	2547	2799	3078
T3D152496	1495	1645	1846	2081	2291	2520	2848	3133	3445
T3D181396	1387	1525	1712	1930	2123	2337	2638	2903	3192
T3D182496	1545	1699	1907	2151	2368	2602	2940	3235	3560
T3D211396	1545	1698	1906	2149	2363	2599	2936	3230	3551
T3D212496	1700	1870	2099	2364	2600	2859	3233	3555	3913
T3D241396-1	1691	1863	2090	2356	2593	2852	3222	3545	3899
T3D242496-1	1851	2037	2287	2577	2834	3119	3523	3875	4266
T3D151399	1332	1455	1615	1807	1978	2167	2433	2669	2924
T3D152499	1482	1617	1802	2016	2207	2419	2718	2979	3267
T3D181399	1378	1503	1673	1874	2050	2244	2521	2762	3029
T3D182499	1526	1669	1856	2079	2274	2493	2801	3075	3374
T3D211399	1507	1644	1837	2058	2252	2467	2774	3040	3336
T3D212499	1656	1811	2017	2264	2475	2711	3049	3346	3670
T3D241399-1	1739	1900	2119	2375	2600	2850	3209	3517	3858
T3D242499-1	1886	2063	2303	2580	2825	3098	3490	3827	4202
T3D1513102	1393	1512	1661	1842	2007	2190	2442	2672	2916
T3D1524102	1542	1670	1847	2051	2233	2439	2724	2974	3251
T3D1813102	1437	1556	1716	1912	2080	2264	2529	2759	3017
T3D1824102	1583	1722	1897	2111	2294	2508	2802	3069	3356
T3D2113102	1544	1672	1860	2071	2253	2458	2751	3002	3288
T3D2124102	1696	1842	2035	2277	2474	2697	3018	3303	3611
T3D2413102-1	1670	1817	2009	2240	2442	2662	2974	3252	3560
T3D2424102-1	1816	1977	2182	2437	2663	2909	3254	3558	3889

# Tall Cabinets : Utility Cabinets

FOR ALL TALL UTILITY CABINETS

- Additional shelves may be ordered as accessory item; see page 17.2
- For doors prepared for glass specify top, bottom, or both; if nothing is specified, only the top section will be prepped for glass
- Toe Base Platform, recessed on front and one side, is shipped unattached
- Weight should be considered in an application where either or both sides are unsupported
- **Thermofoil and Textured Melamine horizontal patterns and grains will run vertically on all Tall cabinets (except 3-door Tall Cabinet), end panels, and doors more than 46½" high**



- Doors will have horizontal grain when horizontal finish is specified

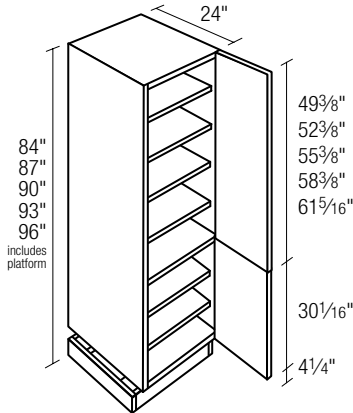
## 3-Door Tall Cabinet – 93"-102" High; 24"-36" Wide

Price Grade	1	2	3	4	5	6	7	8	9
T3D241393	1579	1739	1950	2199	2419	2662	3009	3310	3641
T3D242493	1727	1902	2134	2406	2645	2910	3286	3618	3978
T3D271393	1688	1857	2083	2348	2585	2844	3212	3533	3887
T3D272493	1836	2020	2266	2555	2808	3092	3492	3841	4227
T3D301393	1795	1972	2215	2497	2746	3020	3413	3755	4130
T3D302493	1942	2136	2398	2703	2973	3270	3697	4065	4470
T3D331393	1902	2093	2348	2647	2913	3204	3621	3982	4379
T3D332493	2213	2435	2732	3078	3387	3726	4209	4630	5093
T3D361393	2010	2210	2481	2798	3076	3386	3826	4208	4629
T3D362493	2482	2733	3066	3456	3801	4181	4724	5196	5717
T3D241396	1691	1863	2090	2356	2593	2852	3222	3545	3899
T3D242496	1851	2037	2287	2577	2834	3119	3523	3875	4266
T3D271396	1812	1996	2239	2524	2776	3054	3449	3795	4174
T3D272496	1972	2169	2435	2744	3017	3322	3753	4127	4539
T3D301396	1929	2122	2381	2685	2954	3248	3671	4038	4441
T3D302496	2093	2301	2580	2910	3201	3519	3977	4374	4813
T3D331396	2051	2255	2530	2853	3140	3452	3901	4290	4721
T3D332496	2388	2628	2949	3323	3654	4020	4541	4998	5496
T3D361396	2170	2387	2681	3020	3324	3656	4132	4545	5001
T3D362496	2685	2953	3312	3735	4107	4520	5108	5618	6179
T3D241399	1640	1795	2000	2242	2456	2690	3022	3315	3639
T3D242499	1789	1959	2180	2446	2682	2940	3306	3626	3978
T3D271399	1739	1900	2119	2375	2600	2850	3209	3517	3858
T3D272499	1886	2063	2303	2580	2825	3098	3490	3827	4202
T3D301399	1835	2009	2242	2514	2750	3017	3394	3728	4084
T3D302499	1980	2165	2418	2715	2975	3260	3673	4029	4420
T3D331399	1933	2115	2359	2648	2902	3181	3579	3927	4311
T3D332499	2234	2441	2730	3064	3359	3684	4147	4557	5000
T3D361399	2030	2224	2481	2782	3048	3346	3763	4132	4532
T3D362499	2484	2719	3040	3412	3740	4101	4626	5081	5576
T3D2413102	1670	1817	2009	2240	2442	2662	2974	3252	3560
T3D2424102	1816	1977	2182	2437	2663	2909	3254	3558	3889
T3D2713102	1754	1899	2104	2345	2553	2789	3129	3414	3735
T3D2724102	1894	2060	2287	2545	2774	3030	3402	3718	4074
T3D3013102	1832	1998	2215	2470	2684	2937	3287	3604	3933
T3D3024102	1967	2137	2376	2656	2897	3165	3552	3886	4248
T3D3313102	1911	2082	2305	2576	2809	3070	3436	3761	4115
T3D3324102	2192	2375	2648	2958	3232	3533	3960	4344	4753
T3D3613102	1992	2174	2405	2684	2926	3202	3582	3926	4290
T3D3624102	2408	2621	2920	3259	3561	3887	4375	4798	5252

# Tall Cabinets : Utility Cabinets

FOR ALL TALL UTILITY CABINETS

- Additional shelves may be ordered as accessory item; see page 17.2
- For doors prepared for glass specify top, bottom, or both; if nothing is specified, only the top section will be prepped for glass
- Toe Base Platform, recessed on front and one side, is shipped unattached
- Weight should be considered in an application where either or both sides are unsupported
- **Thermofoil and Textured Melamine horizontal patterns and grains will run vertically on all Tall cabinets (except 3-door Tall Cabinet), end panels, and doors more than 46 1/2" high**

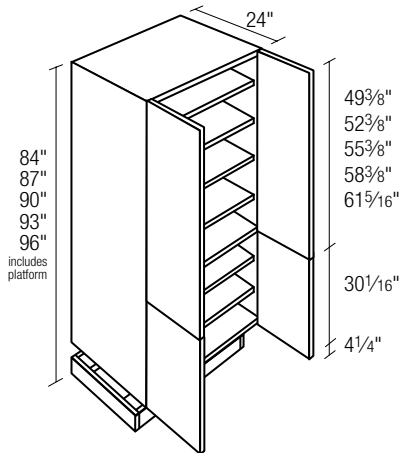


- Designate L/R hinge (right shown)
- In upper section 84", 87" and 90" high have one fixed shelf and four adjustable shelves; 93" and 96" high have one fixed shelf and five adjustable shelves. Lower section has two adjustable shelves

## Utility Cabinet with 2 Doors, 15"-24" Wide

Price Grade	1	2	3	4	5	6	7	8	9
UTB1584	1147	1309	1488	1697	1887	2100	2410	2686	2991
UTB1884	1207	1378	1563	1781	1981	2203	2525	2813	3133
UTB2184	1297	1483	1682	1916	2125	2367	2705	3012	3351
UTB2484-1	1385	1587	1798	2046	2269	2523	2886	3209	3570
UTB1587	1215	1389	1576	1797	1999	2228	2556	2848	3170
UTB1887	1280	1463	1659	1889	2100	2335	2677	2982	3319
UTB2187	1375	1572	1782	2029	2253	2507	2866	3191	3552
UTB2487-1	1469	1682	1905	2169	2405	2675	3059	3400	3785
UTB1590	1284	1467	1665	1899	2112	2354	2703	3012	3348
UTB1890	1351	1545	1752	1996	2220	2468	2828	3150	3507
UTB2190	1453	1662	1884	2145	2381	2650	3029	3372	3754
UTB2490-1	1553	1777	2014	2291	2541	2825	3232	3592	3998
UTB1593	1380	1576	1790	2043	2269	2532	2903	3236	3601
UTB1893	1451	1662	1884	2148	2385	2652	3041	3388	3771
UTB2193	1562	1783	2024	2306	2559	2848	3257	3624	4038
UTB2493-1	1662	1901	2156	2452	2718	3022	3460	3845	4277
UTB1596	1475	1687	1917	2185	2428	2708	3106	3464	3853
UTB1896	1553	1777	2014	2296	2552	2838	3251	3622	4034
UTB2196	1671	1910	2166	2466	2738	3046	3482	3878	4317
UTB2496-1	1777	2035	2307	2625	2912	3236	3701	4114	4578

## Utility Cabinet with 4 Doors, 24"-36" Wide



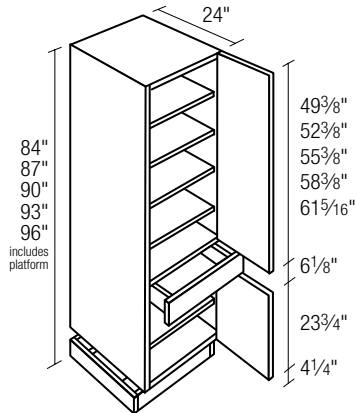
- In upper section 84", 87" and 90" high have one fixed shelf and four adjustable shelves; 93" and 96" high have one fixed shelf and five adjustable shelves. Lower section has two adjustable shelves

Price Grade	1	2	3	4	5	6	7	8	9
UTB2484	1385	1587	1798	2046	2269	2523	2886	3209	3570
UTB2784	1456	1666	1890	2148	2382	2649	3028	3365	3738
UTB3084	1532	1746	1975	2252	2495	2767	3165	3515	3909
UTB3384	1603	1950	2205	2509	2778	3081	3519	3904	4334
UTB3684	1674	2155	2435	2766	3061	3393	3872	4293	4759
UTB2487	1469	1682	1905	2169	2405	2675	3059	3400	3785
UTB2787	1544	1768	2001	2277	2525	2806	3209	3566	3964
UTB3087	1624	1852	2094	2386	2644	2935	3356	3726	4145
UTB3387	1699	2068	2336	2659	2944	3266	3730	4137	4594
UTB3687	1774	2284	2580	2933	3244	3598	4105	4550	5044
UTB2490	1553	1777	2014	2291	2541	2825	3232	3592	3998
UTB2790	1631	1868	2115	2404	2667	2965	3391	3767	4188
UTB3090	1716	1956	2210	2521	2792	3100	3545	3937	4378
UTB3390	1795	2184	2468	2809	3110	3449	3941	4372	4855
UTB3690	1873	2412	2727	3098	3428	3799	4336	4807	5330
UTB2493	1662	1901	2156	2452	2718	3022	3460	3845	4277
UTB2793	1745	1998	2263	2573	2856	3172	3625	4032	4481
UTB3093	1835	2096	2367	2698	2988	3316	3793	4210	4685
UTB3393	1921	2339	2642	3007	3329	3692	4217	4677	5194
UTB3693	2006	2582	2917	3315	3670	4067	4639	5143	5703
UTB2496	1777	2035	2307	2625	2912	3236	3701	4114	4578
UTB2796	1867	2138	2422	2753	3054	3394	3881	4313	4795
UTB3096	1963	2241	2532	2886	3197	3549	4059	4507	5012
UTB3396	2054	2503	2827	3218	3562	3950	4513	5006	5558
UTB3696	2146	2765	3122	3548	3925	4350	4966	5503	6103

# Tall Cabinets : Utility Cabinets

FOR ALL TALL UTILITY CABINETS

- Additional shelves may be ordered as accessory item; see page 17.2
- For doors prepared for glass specify top, bottom, or both; if nothing is specified, only the top section will be prepped for glass
- Toe Base Platform, recessed on front and one side, is shipped unattached
- Weight should be considered in an application where either or both sides are unsupported
- **Thermofoil and Textured Melamine horizontal patterns and grains will run vertically on all Tall cabinets (except 3-door Tall Cabinet), end panels, and doors more than 46½" high**

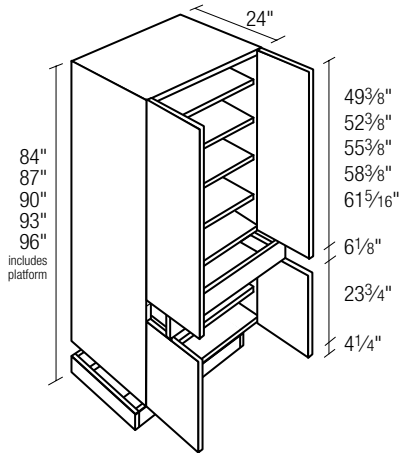


- Designate L/R hinge (right shown)
- In upper section 84", 87" and 90" high have one fixed shelf and four adjustable shelves; 93" and 96" high have one fixed shelf and five adjustable shelves. Lower section has two adjustable shelves

## Utility Cabinet with 1 Middle Drawer 15"-24" Wide

Price Grade	1	2	3	4	5	6	7	8	9
UTBD1584	1182	1350	1535	1750	1946	2167	2486	2770	3085
UTBD1884	1245	1422	1612	1838	2043	2273	2605	2902	3232
UTBD2184	1337	1530	1736	1977	2192	2442	2790	3108	3456
UTBD2484-1	1428	1638	1855	2111	2340	2603	2977	3310	3683
UTBD1587	1253	1433	1626	1854	2062	2298	2636	2938	3270
UTBD1887	1320	1509	1711	1948	2167	2409	2762	3076	3424
UTBD2187	1418	1622	1838	2093	2325	2586	2957	3292	3664
UTBD2487-1	1515	1736	1965	2237	2481	2760	3156	3507	3904
UTBD1590	1324	1513	1718	1959	2179	2428	2788	3107	3454
UTBD1890	1393	1593	1807	2059	2290	2546	2917	3250	3618
UTBD2190	1498	1714	1943	2213	2456	2733	3124	3478	3873
UTBD2490-1	1602	1834	2078	2364	2622	2915	3334	3705	4124
UTBD1593	1423	1626	1846	2107	2340	2612	2995	3338	3715
UTBD1893	1496	1714	1943	2216	2461	2736	3137	3495	3890
UTBD2193	1611	1839	2088	2378	2640	2938	3359	3739	4165
UTBD2493-1	1714	1961	2224	2529	2804	3117	3569	3966	4412
UTBD1596	1521	1740	1978	2254	2505	2793	3204	3573	3975
UTBD1896	1602	1834	2078	2369	2632	2927	3354	3737	4161
UTBD2196	1723	1970	2234	2544	2824	3142	3592	4000	4453
UTBD2496-1	1833	2099	2379	2708	3004	3338	3818	4244	4723

## Utility Cabinet with 1 Middle Drawer 24"-36" Wide



- In upper section 84", 87" and 90" high have one fixed shelf and four adjustable shelves; 93" and 96" high have one fixed shelf and five adjustable shelves. Lower section has two adjustable shelves

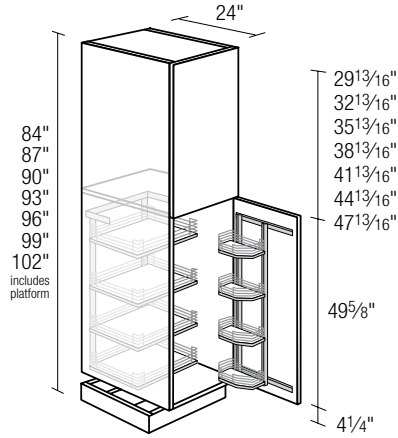
Price Grade	1	2	3	4	5	6	7	8	9
UTBD2484	1428	1638	1855	2111	2340	2603	2977	3310	3683
UTBD2784	1502	1719	1949	2216	2457	2732	3123	3471	3856
UTBD3084	1580	1801	2037	2323	2573	2855	3265	3626	4033
UTBD3384	1653	2012	2275	2588	2866	3178	3630	4027	4471
UTBD3684	1726	2223	2512	2854	3158	3501	3994	4429	4909
UTBD2487	1515	1736	1965	2237	2481	2760	3156	3507	3904
UTBD2787	1592	1824	2064	2349	2605	2895	3310	3679	4090
UTBD3087	1674	1910	2160	2462	2727	3027	3462	3844	4276
UTBD3387	1752	2133	2410	2743	3037	3369	3847	4268	4739
UTBD3687	1829	2356	2662	3025	3347	3711	4235	4693	5203
UTBD2490	1602	1834	2078	2364	2622	2915	3334	3705	4124
UTBD2790	1682	1927	2181	2480	2751	3059	3498	3886	4320
UTBD3090	1769	2018	2279	2601	2880	3198	3657	4061	4516
UTBD3390	1851	2253	2546	2898	3209	3558	4065	4510	5008
UTBD3690	1932	2488	2813	3196	3536	3919	4473	4959	5499
UTBD2493	1714	1961	2224	2529	2804	3117	3569	3966	4412
UTBD2793	1800	2061	2334	2654	2946	3272	3740	4159	4623
UTBD3093	1893	2162	2442	2783	3082	3420	3913	4343	4833
UTBD3393	1981	2413	2725	3102	3434	3808	4350	4825	5358
UTBD3693	2069	2664	3010	3419	3786	4195	4785	5306	5883
UTBD2496	1833	2099	2379	2708	3004	3338	3818	4244	4723
UTBD2796	1925	2205	2498	2840	3151	3502	4003	4449	4946
UTBD3096	2024	2312	2612	2977	3298	3661	4188	4649	5170
UTBD3396	2118	2582	2916	3319	3674	4075	4655	5164	5733
UTBD3696	2213	2852	3220	3660	4049	4487	5122	5677	6296

# Tall Cabinets : Pantry Cabinets

**FOR ALL TALL PANTRY CABINETS**

- Width and depth modifications not available
- Additional shelves may be ordered as accessory item; see page 17.2
- For doors prepared for glass specify top, bottom, or both

- Toe Base Platform, recessed on front and one side, is shipped unattached
- Weight should be considered in an application where either or both sides are unsupported
- **Thermofoil and Textured Melamine horizontal patterns and grains will run vertically on all Tall cabinets (except 3-door Tall Cabinet), end panels, and doors more than 46½" high**



## Larder Cabinet 18"-24" Wide with Kessebohmer Chrome Accessories

Price Grade	1	2	3	4	5	6	7	8	9
PCTAN1884	3845	3962	4099	4260	4402	4562	4786	4977	5192
PCTAN2184	4008	4141	4292	4470	4626	4798	5043	5257	5488
PCTAN2484	4026	4177	4340	4534	4705	4891	5158	5388	5645
PCTAN1887	3900	4027	4172	4341	4491	4659	4895	5097	5325
PCTAN2187	4070	4209	4368	4556	4719	4902	5160	5386	5629
PCTAN2487	4093	4247	4419	4625	4803	4999	5282	5523	5793
PCTAN1890	3955	4093	4243	4423	4578	4757	5005	5219	5459
PCTAN2190	4130	4278	4445	4641	4813	5005	5277	5514	5770
PCTAN2490	4159	4319	4497	4715	4902	5106	5406	5658	5943
PCTAN1893	4034	4183	4344	4537	4706	4892	5159	5390	5646
PCTAN2193	4217	4380	4560	4771	4956	5160	5456	5710	5987
PCTAN2493	4259	4433	4628	4860	5060	5283	5606	5879	6183
PCTAN1896	4114	4273	4444	4651	4832	5029	5316	5563	5835
PCTAN2196	4310	4483	4674	4902	5098	5313	5633	5906	6202
PCTAN2496	4361	4548	4757	5005	5220	5457	5805	6097	6425
PCTAN1899	4301	4473	4651	4872	5066	5274	5580	5843	6132
PCTAN2199	4509	4694	4897	5141	5349	5574	5918	6209	6525
PCTAN2499	4570	4770	4992	5257	5487	5738	6111	6423	6775
PCTAN18102	4704	4896	5090	5336	5553	5783	6125	6416	6736
PCTAN21102	4934	5140	5364	5637	5866	6113	6499	6823	7174
PCTAN24102	5007	5231	5478	5773	6028	6307	6723	7070	7464

- Four adjustable shelves
- Shelves are White or Wood with Chrome rails and non-skid surface
- Rear shelves slide forward as doors are opened
- Modifications not available
- Not available with Finline, Slimline and Broadline Aluminum door styles

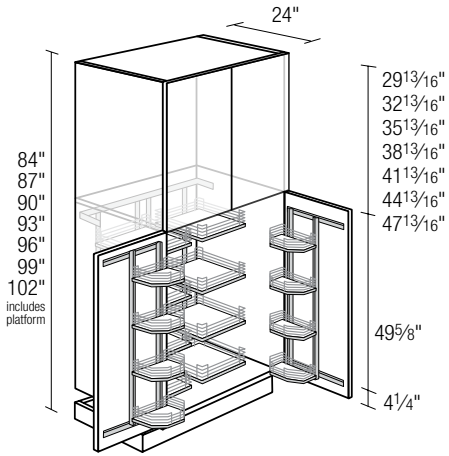


# Tall Cabinets : Pantry Cabinets

FOR ALL TALL PANTRY CABINETS

- Width and depth modifications not available
- Additional shelves may be ordered as accessory item; see page 17.2
- For doors prepared for glass specify top, bottom, or both

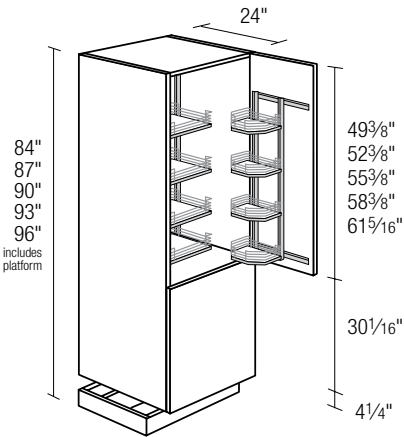
- Toe Base Platform, recessed on front and one side, is shipped unattached
- Weight should be considered in an application where either or both sides are unsupported
- **Thermofoil and Textured Melamine horizontal patterns and grains will run vertically on all Tall cabinets (except 3-door Tall Cabinet), end panels, and doors more than 46 1/2" high**



## Larder Cabinet 36" Wide with Kessebohrer Chrome Accessories

Price Grade	1	2	3	4	5	6	7	8	9
PCTAN3684	4337	4780	5014	5298	5542	5812	6203	6536	6902
PCTAN3687	4402	4866	5109	5404	5658	5941	6346	6695	7080
PCTAN3690	4468	4951	5203	5510	5776	6069	6490	6855	7256
PCTAN3693	4606	5134	5409	5740	6032	6351	6811	7207	7643
PCTAN3696	4746	5316	5616	5973	6288	6634	7132	7560	8029
PCTAN3699	4994	5604	5930	6313	6652	7024	7560	8021	8524
PCTAN36102	5492	6174	6539	6969	7348	7764	8366	8883	9445

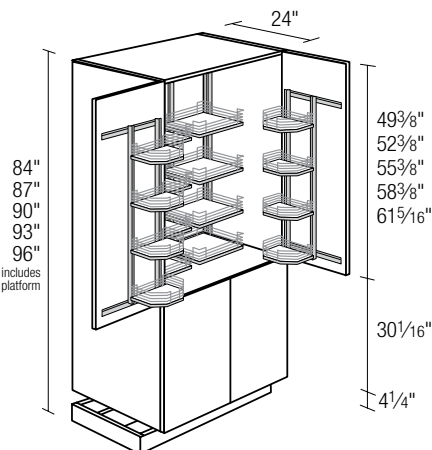
- Four adjustable shelves
- Shelves are White or Wood with Chrome rails and non-skid surface
- Rear shelves slide forward as doors are opened
- Modifications not available
- Not available with Finline, Slimline and Broadline Aluminum door styles



## Pantry Cabinet 18"-24" Wide with Kessebohrer Chrome Accessories

Price Grade	1	2	3	4	5	6	7	8	9
PCTANU1884	3845	3962	4099	4260	4402	4562	4786	4977	5192
PCTANU2184	4008	4141	4292	4470	4626	4798	5043	5257	5488
PCTANU2484	4026	4177	4340	4534	4705	4891	5158	5388	5645
PCTANU1887	3900	4027	4172	4341	4491	4659	4895	5097	5325
PCTANU2187	4070	4209	4368	4556	4719	4902	5160	5386	5629
PCTANU2487	4093	4247	4419	4625	4803	4999	5282	5523	5793
PCTANU1890	3955	4093	4243	4423	4578	4757	5005	5219	5459
PCTANU2190	4130	4278	4445	4641	4813	5005	5277	5514	5770
PCTANU2490	4159	4319	4497	4715	4902	5106	5406	5658	5943
PCTANU1893	4034	4183	4344	4537	4706	4892	5159	5390	5646
PCTANU2193	4217	4380	4560	4771	4956	5160	5456	5710	5987
PCTANU2493	4259	4433	4628	4860	5060	5283	5606	5879	6183
PCTANU1896	4114	4273	4444	4651	4832	5029	5316	5563	5835
PCTANU2196	4310	4483	4674	4902	5098	5313	5633	5906	6202
PCTANU2496	4361	4548	4757	5005	5220	5457	5805	6097	6425

- Four adjustable shelves
- Shelves are White or Wood with Chrome rails and non-skid surface
- Rear shelves slide forward as doors are opened
- Modifications not available
- Not available with Finline, Slimline and Broadline Aluminum door styles



## Pantry Cabinet 36" Wide with Kessebohrer Chrome Accessories

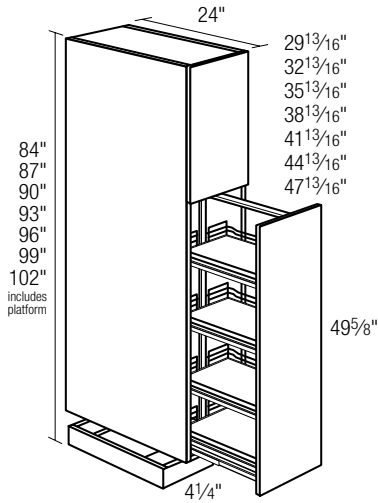
Price Grade	1	2	3	4	5	6	7	8	9
PCTANU3684	4337	4780	5014	5298	5542	5812	6203	6536	6902
PCTANU3687	4402	4866	5109	5404	5658	5941	6346	6695	7080
PCTANU3690	4468	4951	5203	5510	5776	6069	6490	6855	7256
PCTANU3693	4606	5134	5409	5740	6032	6351	6811	7207	7643
PCTANU3696	4746	5316	5616	5973	6288	6634	7132	7560	8029

- Four adjustable shelves
- Shelves are White or Wood with Chrome rails and non-skid surface
- Rear shelves slide forward as doors are opened
- Modifications not available
- Not available with Finline, Slimline and Broadline Aluminum door styles

# Tall Cabinets : Pantry Cabinets

FOR ALL TALL PANTRY CABINETS

- Width and depth modifications not available
- Additional shelves may be ordered as accessory item; see page 17.2
- For doors prepared for glass specify top, bottom, or both
- Toe Base Platform, recessed on front and one side, is shipped unattached
- Weight should be considered in an application where either or both sides are unsupported
- **Thermofoil and Textured Melamine horizontal patterns and grains will run vertically on all Tall cabinets (except 3-door Tall Cabinet), end panels, and doors more than 46½" high**



- Four adjustable shelves
- Shelves are White or Wood with Chrome rails and non-skid surface
- Shelves pull out with door
- Soft close standard
- Rear shelves slide forward as doors are opened
- Modifications not available
- Not available with Finline, Slimline and Broadline Aluminum door styles

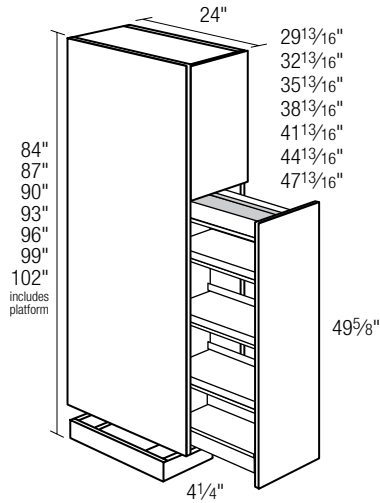
## Kessebohrer Dispensa Pantry Cabinet

Price Grade	1	2	3	4	5	6	7	8	9
PC1284KSB	2780	2898	3029	3185	3318	3468	3683	3867	4072
PC1584KSB	2834	2952	3083	3239	3372	3522	3737	3921	4126
PC1884KSB	2943	3061	3198	3358	3500	3660	3884	4075	4290
PC2184KSB	3085	3218	3369	3547	3703	3875	4121	4335	4565
<del>PC2484KSB</del>	<del>3227</del>	<del>3376</del>	<del>3541</del>	<del>3736</del>	<del>3905</del>	<del>4091</del>	<del>4357</del>	<del>4593</del>	<del>4841</del>
PC1287KSB	2836	2961	3098	3263	3408	3565	3793	3989	4205
PC1587KSB	2890	3015	3152	3318	3462	3619	3847	4043	4259
PC1887KSB	2999	3125	3270	3440	3589	3758	3994	4197	4424
PC2187KSB	3146	3286	3445	3632	3797	3978	4237	4463	4707
<del>PC2487KSB</del>	<del>3294</del>	<del>3446</del>	<del>3621</del>	<del>3826</del>	<del>4003</del>	<del>4200</del>	<del>4480</del>	<del>4730</del>	<del>4988</del>
PC1290KSB	2892	3026	3167	3342	3498	3661	3904	4111	4339
PC1590KSB	2946	3080	3221	3396	3552	3715	3958	4164	4393
PC1890KSB	3054	3191	3342	3521	3677	3855	4103	4317	4558
PC2190KSB	3207	3354	3521	3718	3890	4081	4353	4591	4847
<del>PC2490KSB</del>	<del>3360</del>	<del>3517</del>	<del>3701</del>	<del>3914</del>	<del>4102</del>	<del>4309</del>	<del>4604</del>	<del>4866</del>	<del>5137</del>
PC1293KSB	2972	3115	3268	3457	3623	3800	4060	4283	4530
PC1593KSB	3026	3168	3322	3511	3677	3854	4114	4337	4584
PC1893KSB	3133	3282	3442	3635	3804	3990	4258	4488	4744
PC2193KSB	3295	3458	3636	3848	4033	4237	4533	4788	5064
<del>PC2493KSB</del>	<del>3457</del>	<del>3633</del>	<del>3831</del>	<del>4061</del>	<del>4262</del>	<del>4484</del>	<del>4808</del>	<del>5087</del>	<del>5383</del>
PC1296KSB	3051	3205	3374	3572	3746	3938	4217	4457	4718
PC1596KSB	3105	3259	3428	3626	3800	3992	4271	4511	4772
PC1896KSB	3213	3373	3542	3749	3931	4127	4414	4661	4933
PC2196KSB	3386	3561	3752	3979	4176	4391	4710	4983	5279
<del>PC2496KSB</del>	<del>3561</del>	<del>3748</del>	<del>3961</del>	<del>4209</del>	<del>4421</del>	<del>4654</del>	<del>5006</del>	<del>5305</del>	<del>5624</del>
PC1299KSB	3129	3296	3480	3687	3869	4076	4375	4632	4907
PC1599KSB	3292	3458	3642	3849	4031	4238	4537	4794	5069
PC1899KSB	3401	3571	3749	3970	4164	4372	4679	4943	5230
PC2199KSB	3587	3771	3974	4217	4426	4652	4994	5286	5601
<del>PC2499KSB</del>	<del>3772</del>	<del>3970</del>	<del>4199</del>	<del>4465</del>	<del>4687</del>	<del>4931</del>	<del>5311</del>	<del>5630</del>	<del>5973</del>
PC12102KSB	3365	3551	3759	3987	4186	4418	4752	5038	5341
PC15102KSB	3643	3829	4038	4265	4465	4696	5030	5317	5620
PC18102KSB	3759	3948	4142	4390	4606	4836	5177	5471	5789
PC21102KSB	3967	4168	4395	4666	4898	5145	5529	5854	6204
<del>PC24102KSB</del>	<del>4171</del>	<del>4391</del>	<del>4646</del>	<del>4944</del>	<del>5188</del>	<del>5455</del>	<del>5883</del>	<del>6237</del>	<del>6621</del>

# Tall Cabinets : Pantry Cabinets

FOR ALL TALL PANTRY CABINETS

- Width and depth modifications not available
- Additional shelves may be ordered as accessory item; see page 17.2
- For doors prepared for glass specify top, bottom, or both
- Toe Base Platform, recessed on front and one side, is shipped unattached
- Weight should be considered in an application where either or both sides are unsupported
- **Thermofoil and Textured Melamine horizontal patterns and grains will run vertically on all Tall cabinets (except 3-door Tall Cabinet), end panels, and doors more than 46½" high**



- Three adjustable wood shelves; one fixed bottom shelf
- Shelves pull out with door
- Soft Close standard
- Reduce Width and Reduce Depth modifications not available
- Not available with Metal door styles
- Pull-out is solid Maple with Natural finish

## Century Tall Pantry Pull-out Cabinet

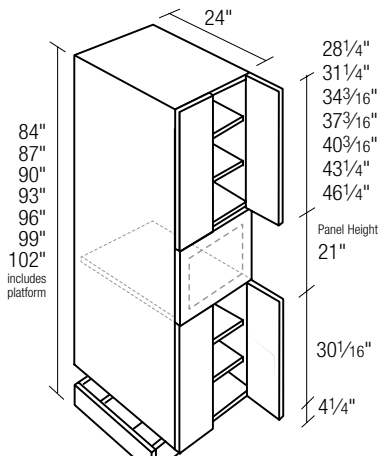
Price Grade	1	2	3	4	5	6	7	8	9
PC1284CC	4839	4957	5088	5244	5377	5527	5742	5926	6131
PC1584CC	5042	5160	5291	5447	5580	5730	5945	6129	6334
PC1884CC	5301	5419	5556	5716	5858	6018	6242	6433	6648
PC1287CC	4895	5020	5157	5322	5467	5624	5852	6048	6264
PC1587CC	5098	5223	5360	5526	5670	5827	6055	6251	6467
PC1887CC	5357	5483	5628	5798	5947	6116	6352	6555	6782
PC1290CC	4951	5085	5226	5401	5557	5720	5963	6170	6398
PC1590CC	5154	5288	5429	5604	5760	5923	6166	6372	6601
PC1890CC	5412	5549	5700	5879	6035	6213	6461	6675	6916
PC1293CC	5031	5174	5327	5516	5682	5859	6119	6342	6589
PC1593CC	5234	5376	5530	5719	5885	6062	6322	6545	6792
PC1893CC	5491	5640	5800	5993	6162	6348	6616	6846	7102
PC1296CC	5110	5264	5433	5631	5805	5997	6276	6516	6777
PC1596CC	5313	5467	5636	5834	6008	6200	6479	6719	6980
PC1896CC	5571	5731	5900	6107	6289	6485	6772	7019	7291
PC1299CC	5188	5355	5539	5746	5928	6135	6434	6691	6966
PC1599CC	5500	5666	5850	6057	6239	6446	6745	7002	7277
PC1899CC	5759	5929	6107	6328	6522	6730	7037	7301	7588
PC12102CC	5424	5610	5818	6046	6245	6477	6811	7097	7400
PC15102CC	5851	6037	6246	6473	6673	6904	7238	7525	7828
PC18102CC	6117	6306	6500	6748	6964	7194	7535	7829	8147

# Tall Cabinets : Microwave Cabinet

## FOR ALL TALL MICROWAVE CABINETS

- Toe Base Platform, recessed on front and one side, is shipped unattached
- Two fixed shelves. 84" high has one additional adjustable shelf; 87", 90", 93" and 96" high have two additional adjustable shelves; 99" and 102" high have three additional adjustable shelves
- Additional shelves may be ordered as accessory item; see page 17.2
- Weight should be considered in an application where either or both sides are unsupported
- **Thermofoil and Textured Melamine horizontal patterns and grains will run vertically on all Tall cabinets (except 3-door Tall Cabinet), end panels, and doors more than 46 1/2" high**
- Front panel appliance opening is field-cut to size; see below for maximum cut-out sizes

- Available with Profiled Oven Panel; add POV suffix; see below
- Available with Custom Panel Cut-outs; see below and page 9.6
- Can be ordered with custom height panels; add Reconfiguration/Engineering charge on page 9.3
- Standard Front Panel:
  - Melamine – 3/4"-thick Coordinated Melamine
  - Eurotek – 3/4"-thick Coordinated Melamine
  - Textured Melamine – 3/4"-thick Coordinated Melamine
  - Thermofoil – 3/4"-thick Profiled Matching Thermofoil
  - Wood – 3/4"-thick Wood Veneer
  - Metal– 3/4"-thick Coordinated Laminate
  - UltraLux – 3/4"-thick Matching UltraLux



## Tall Microwave Cabinet with 2 Doors Below

Price Grade	1	2	3	4	5	6	7	8	9
MWT2784D	1318	1589	1784	2021	2220	2445	2766	3045	3352
MWT3084D	1482	1795	2014	2275	2507	2759	3123	3433	3774
MWT2787D	1392	1679	1884	2130	2343	2576	2915	3208	3532
MWT3087D	1583	1917	2152	2429	2673	2941	3331	3662	4029
MWT2790D	1467	1769	1982	2238	2463	2707	3066	3374	3712
MWT3090D	1685	2039	2291	2582	2841	3126	3541	3893	4284
MWT2793D	1646	1992	2233	2523	2777	3052	3455	3800	4182
MWT3093D	1864	2261	2539	2867	3151	3467	3928	4318	4752
MWT2796D	1828	2214	2483	2807	3091	3398	3844	4229	4653
MWT3096D	2042	2483	2788	3149	3463	3809	4316	4745	5222
MWT2799D	2116	2545	2842	3201	3512	3851	4342	4765	5231
MWT3099D	2326	2814	3144	3540	3883	4258	4812	5281	5800
MWT27102D	2511	3002	3342	3755	4108	4496	5057	5539	6072
MWT30102D	2727	3284	3657	4107	4497	4920	5548	6081	6667

## Maximum Oven Openings

Cabinet	Panel Size	Cut-Out Size	Frame Opening Size
MWT2784D	26 7/8" w x 21" h	23 7/8" w x 18" h	20 7/8" w x 9" h
MWT3084D	29 7/8" w x 21" h	26 7/8" w x 18" h	23 7/8" w x 9" h
MWT2787D	26 7/8" w x 21" h	23 7/8" w x 18" h	20 7/8" w x 9" h
MWT3087D	29 7/8" w x 21" h	26 7/8" w x 18" h	23 7/8" w x 9" h
MWT2790D	26 7/8" w x 21" h	23 7/8" w x 18" h	20 7/8" w x 9" h
MWT3090D	29 7/8" w x 21" h	26 7/8" w x 18" h	23 7/8" w x 9" h
MWT2793D	26 7/8" w x 21" h	23 7/8" w x 18" h	20 7/8" w x 9" h
MWT3093D	29 7/8" w x 21" h	26 7/8" w x 18" h	23 7/8" w x 9" h
MWT2796D	26 7/8" w x 21" h	23 7/8" w x 18" h	20 7/8" w x 9" h
MWT3096D	29 7/8" w x 21" h	26 7/8" w x 18" h	23 7/8" w x 9" h
MWT2799D	26 7/8" w x 21" h	23 7/8" w x 18" h	20 7/8" w x 9" h
MWT3099D	29 7/8" w x 21" h	26 7/8" w x 18" h	23 7/8" w x 9" h
MWT27102D	26 7/8" w x 21" h	23 7/8" w x 18" h	20 7/8" w x 9" h
MWT30102D	29 7/8" w x 21" h	26 7/8" w x 18" h	23 7/8" w x 9" h

- 1 1/2" perimeter edge width after a maximum cutout.
- Profiled Oven Panels available

## Custom Cut-out in a Standard Oven Panel

	Price Per Panel
Solid Wood Profiled Frame	325
Wood Veneer, Eurotek and Deluxe Veneer	
Non-Profiled Panel Cut-out	130
Thermofoil and UltraLux Panel Cut-out	130

- Cost of the oven panel is included in the price of the cabinet; custom cut-outs are an upcharge
- MWTD can have one opening; specify on Custom Cut-Out Oven Panel Forms; see OneTouch

## Installed Profiled Oven Panels

	Textured Melamine	Standard Melamine	Premium Thermofoil	Wood Premium	UltraLux
POVMT27			720	1331	286 302
POVMT30			763	1410	339 358

- Metal, Textured Melamine and Eurotek door styles are not available with Profiled Oven Panels

### Thermofoil door styles:

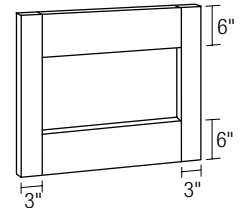
- Profiled Panels are slab-style with outer edge profiled to match the specified door style
- Thermofoil horizontal patterns and grains will run vertical on panels 46 1/2" high and greater

### UltraLux door styles:

- Coordinated UltraLux panel

### Wood door styles:

- Wood Premium available in Walnut
- Not available in Deluxe Veneers, Richmond II or Slab
- Panels for non-mitered door styles will have a matching edge profile
- Panels for mitered door styles will have the following edge profiles:

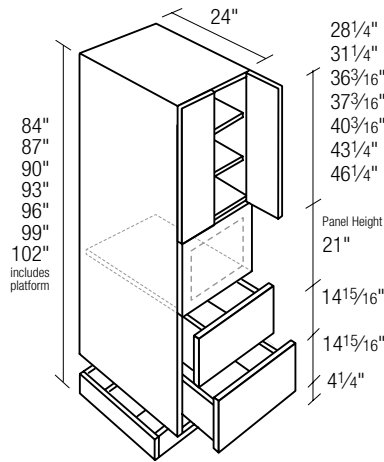


# Tall Cabinets : Microwave Cabinet

## FOR ALL TALL MICROWAVE CABINETS

- Toe Base Platform, recessed on front and one side, is shipped unattached
- Two fixed shelves. 84" high has one additional adjustable shelf; 87", 90", 93" and 96" high have two additional adjustable shelves; 99" and 102" high have three additional adjustable shelves
- Additional shelves may be ordered as accessory item; see page 17.2
- Weight should be considered in an application where either or both sides are unsupported
- **Thermofoil and Textured Melamine horizontal patterns and grains will run vertically on all Tall cabinets (except 3-door Tall Cabinet), end panels, and doors more than 46 1/2" high**
- Front panel appliance opening is field-cut to size; see below for maximum cut-out sizes

- Available with Profiled Oven Panel; add POV suffix; see below
- Available with Custom Panel Cut-outs; see below and page 9.6
- Can be ordered with custom height panels; add Reconfiguration/Engineering charge on page 9.3
- Standard Front Panel:
  - Melamine – 3/4"-thick Coordinated Melamine
  - Eurotek – 3/4"-thick Coordinated Melamine
  - Textured Melamine – 3/4"-thick Coordinated Melamine
  - Thermofoil – 3/4"-thick Profiled Matching Thermofoil
  - Wood – 3/4"-thick Wood Veneer
  - Metal– 3/4"-thick Coordinated Laminate
  - UltraLux – 3/4"-thick Matching UltraLux



## Tall Microwave Cabinet with 2 Drawers Below

Price Grade	1	2	3	4	5	6	7	8	9
MWT272D84	2051	2261	2550	2879	3166	3492	3960	4362	4795
MWT302D84	2299	2534	2846	3209	3533	3888	4026	4844	5321
MWT272D87	2176	2398	2700	3054	3358	3705	4197	4621	5085
MWT302D87	2434	2682	3013	3400	3740	4118	4474	5129	5637
MWT272D90	2299	2534	2850	3230	3549	3916	4432	4883	5374
MWT302D90	2569	2827	3181	3590	3950	4346	4920	5415	5950
MWT272D93	2457	2705	3043	3445	3789	4178	4731	5212	5732
MWT302D93	2748	3021	3396	3835	4217	4643	5255	5781	6356
MWT272D96	2613	2876	3235	3661	4026	4440	5029	5539	6091
MWT302D96	2925	3219	3609	4080	4485	4939	5588	6151	6758
MWT272D99	2878	3155	3536	3986	4372	4811	5434	5974	6557
MWT302D99	3208	3524	3932	4434	4861	5345	6028	6629	7269
MWT272D102	3287	3593	4013	4509	4936	5422	6111	6708	7352
MWT302D102	3652	4006	4450	5010	5481	6017	6770	7438	8144

- Deep Metal Drawers are not available on cabinets less than 15" deep

## Maximum Oven Openings

Cabinet	Panel Size	Cut-Out Size	Frame Opening Size
MWT272D84	26 7/8" w x 21" h	23 7/8" w x 18" h	17 7/8" w x 9" h
MWT302D84	29 7/8" w x 21" h	26 7/8" w x 18" h	20 7/8" w x 9" h
MWT272D87	26 7/8" w x 21" h	23 7/8" w x 18" h	17 7/8" w x 9" h
MWT302D87	29 7/8" w x 21" h	26 7/8" w x 18" h	20 7/8" w x 9" h
MWT272D90	26 7/8" w x 21" h	23 7/8" w x 18" h	17 7/8" w x 9" h
MWT302D90	29 7/8" w x 21" h	26 7/8" w x 18" h	20 7/8" w x 9" h
MWT272D93	26 7/8" w x 21" h	23 7/8" w x 18" h	17 7/8" w x 9" h
MWT302D93	29 7/8" w x 21" h	26 7/8" w x 18" h	20 7/8" w x 9" h
MWT272D96	26 7/8" w x 21" h	23 7/8" w x 18" h	17 7/8" w x 9" h
MWT302D96	29 7/8" w x 21" h	26 7/8" w x 18" h	20 7/8" w x 9" h
MWT272D99	26 7/8" w x 21" h	23 7/8" w x 18" h	17 7/8" w x 9" h
MWT302D99	29 7/8" w x 21" h	26 7/8" w x 18" h	20 7/8" w x 9" h
MWT272D102	26 7/8" w x 21" h	23 7/8" w x 18" h	17 7/8" w x 9" h
MWT302D102	29 7/8" w x 21" h	26 7/8" w x 18" h	20 7/8" w x 9" h

- 1 1/2" perimeter edge width after a maximum cut-out.
- Profiled Oven Panels available

## Installed Profiled Oven Panels

	Textured Melamine	Standard Thermofoil	Premium Thermofoil	Wood Premium	Wood Metal	UltraLux
POVMT27		720	1331	286	302	
POVMT30		763	1410	339	358	

- Metal, Textured Melamine and Eurotek door styles are not available with Profiled Oven Panels

### Thermofoil door styles:

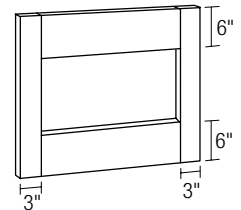
- Profiled Panels are slab-style with outer edge profiled to match the specified door style
- Thermofoil horizontal patterns and grains will run vertical on panels 46 1/2" high and greater

### UltraLux door styles:

- Coordinated UltraLux panel

### Wood door styles:

- Wood Premium available in Walnut
- Not available in Deluxe Veneers, Richmond II or Slab
- Panels for non-mitered door styles will have a matching edge profile
- Panels for mitered door styles will have the following edge profiles:



1/8" RADIUS

AMHERST	CRYSTAL LAKE	MARSHALL	CHARLOTTE MT. VERNON
BROADVIEW	DENNISON	OAKLAND PARK	
BRUNSWICK	FREEDOM	PERTH-AMBOY	
GARNEGIE	FRISCO	PLYMOUTH	
CHESAPEAKE	LAFAYETTE	SARASOTA	
GORONA	LAKEWAY	WINCHESTER	
	LIBERTY	YORK	
	LIVINGSTON		

## Custom Cut-out in a Standard Oven Panel

Panel	Panel	Price Per Panel
Solid Wood Frame	Panel with Cut-outs	Solid Wood Profiled Frame 325
		Wood Veneer, Eurotek and Deluxe Veneer
		Non-Profiled Panel Cut-out 130
		Thermofoil and UltraLux Panel Cut-out 130

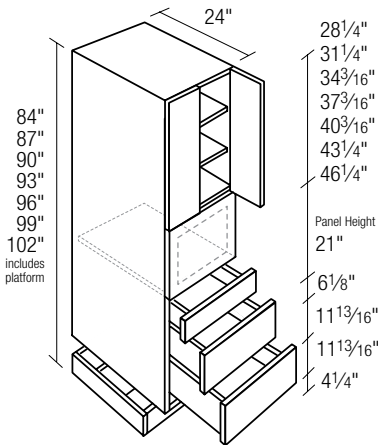
- Cost of the oven panel is included in the price of the cabinet; custom cut-outs are an upcharge
- MWTD can have one opening; specify on Custom Cut-Out Oven Panel Forms; see OneTouch

# Tall Cabinets : Microwave Cabinet

## FOR ALL TALL MICROWAVE CABINETS

- Toe Base Platform, recessed on front and one side, is shipped unattached
- Two fixed shelves. 84" high has one additional adjustable shelf; 87", 90", 93" and 96" high have two additional adjustable shelves; 99" and 102" high have three additional adjustable shelves
- Additional shelves may be ordered as accessory item; see page 17.2
- Weight should be considered in an application where either or both sides are unsupported
- **Thermofoil and Textured Melamine horizontal patterns and grains will run vertically on all Tall cabinets (except 3-door Tall Cabinet), end panels, and doors more than 46 1/2" high**
- Front panel appliance opening is field-cut to size; see below for maximum cut-out sizes

- Available with Profiled Oven Panel; add POV suffix; see below
- Available with Custom Panel Cut-outs; see below and page 9.6
- Can be ordered with custom height panels; add Reconfiguration/Engineering charge on page 9.3
- Standard Front Panel:
  - Melamine – 3/4"-thick Coordinated Melamine
  - Eurotek – 3/4"-thick Coordinated Melamine
  - Textured Melamine – 3/4"-thick Coordinated Melamine
  - Thermofoil – 3/4"-thick Profiled Matching Thermofoil
  - Wood – 3/4"-thick Wood Veneer
  - Metal– 3/4"-thick Coordinated Laminate
  - UltraLux – 3/4"-thick Matching UltraLux



## Tall Microwave Cabinet with 3 Drawers Below

Price Grade	1	2	3	4	5	6	7	8	9
MWT273D84	2085	2295	2585	2914	3203	3528	3994	4397	4831
MWT303D84	2334	2569	2881	3245	3568	3924	4064	4879	5357
MWT273D87	2211	2433	2735	3090	3394	3740	4232	4658	5121
MWT303D87	2471	2716	3048	3435	3776	4153	4509	5166	5671
MWT273D90	2334	2569	2885	3266	3587	3952	4468	4920	5409
MWT303D90	2606	2862	3217	3625	3986	4381	4956	5451	5986
MWT273D93	2493	2740	3078	3482	3826	4214	4766	5248	5766
MWT303D93	2786	3057	3432	3870	4254	4679	5290	5817	6391
MWT273D96	2649	2911	3270	3698	4064	4476	5064	5574	6126
MWT303D96	2961	3255	3647	4117	4521	4976	5623	6185	6793
MWT273D99	2913	3191	3570	4021	4408	4845	5470	6010	6593
MWT303D99	3245	3561	3969	4470	4897	5380	6065	6662	7304
MWT273D102	3323	3630	4049	4545	4974	5456	6150	6745	7390
MWT303D102	3691	4044	4490	5046	5518	6053	6810	7472	8181

- Deep Metal Drawers are not available on cabinets less than 15" deep

## Maximum Oven Openings

Cabinet	Panel Size	Cut-Out Size	Frame Opening Size
MWT273D84	26 7/8" w x 21" h	23 7/8" w x 18" h	17 7/8" w x 9" h
MWT303D84	29 7/8" w x 21" h	26 7/8" w x 18" h	20 7/8" w x 9" h
MWT273D87	26 7/8" w x 21" h	23 7/8" w x 18" h	17 7/8" w x 9" h
MWT303D87	29 7/8" w x 21" h	26 7/8" w x 18" h	20 7/8" w x 9" h
MWT273D90	26 7/8" w x 21" h	23 7/8" w x 18" h	17 7/8" w x 9" h
MWT303D90	29 7/8" w x 21" h	26 7/8" w x 18" h	20 7/8" w x 9" h
MWT273D93	26 7/8" w x 21" h	23 7/8" w x 18" h	17 7/8" w x 9" h
MWT303D93	29 7/8" w x 21" h	26 7/8" w x 18" h	20 7/8" w x 9" h
MWT273D96	26 7/8" w x 21" h	23 7/8" w x 18" h	17 7/8" w x 9" h
MWT303D96	29 7/8" w x 21" h	26 7/8" w x 18" h	20 7/8" w x 9" h
MWT273D99	26 7/8" w x 21" h	23 7/8" w x 18" h	17 7/8" w x 9" h
MWT303D99	29 7/8" w x 21" h	26 7/8" w x 18" h	20 7/8" w x 9" h
MWT273D102	26 7/8" w x 21" h	23 7/8" w x 18" h	17 7/8" w x 9" h
MWT303D102	29 7/8" w x 21" h	26 7/8" w x 18" h	20 7/8" w x 9" h

- 1 1/2" perimeter edge width after a maximum cutout.
- Profiled Oven Panels available

## Installed Profiled Oven Panels

	Textured Melamine	Standard Eurotek	Premium Thermofoil	Wood Premium	UltraLux
POVMT27			720	1331	286 302
POVMT30			763	1410	339 358

- Metal, Textured Melamine and Eurotek door styles are not available with Profiled Oven Panels

### Thermofoil door styles:

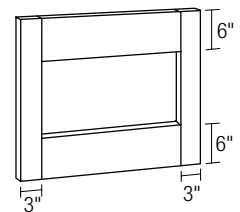
- Profiled Panels are slab-style with outer edge profiled to match the specified door style
- Thermofoil horizontal patterns and grains will run vertical on panels 46 1/2" high and greater

### UltraLux door styles:

- Coordinated UltraLux panel

### Wood door styles:

- Wood Premium available in Walnut
- Not available in Deluxe Veneers, Richmond II or Slab
- Panels for non-mitered door styles will have a matching edge profile
- Panels for mitered door styles will have the following edge profiles:



## Custom Cut-out in a Standard Oven Panel

Panel	Price Per Panel
Solid Wood Profiled Frame	325
Wood Veneer, Eurotek and Deluxe Veneer	
Non-Profiled Panel Cut-out	130
Thermofoil and UltraLux Panel Cut-out	130

- Cost of the oven panel is included in the price of the cabinet; custom cut-outs are an upcharge
- MWTD can have one opening; specify on Custom Cut-Out Oven Panel Forms; see OneTouch

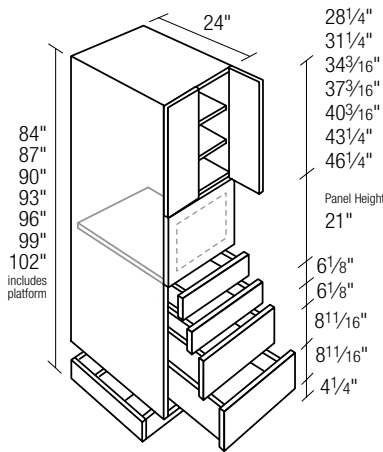
1/8" RADIUS	CRYSTAL LAKE	MARSHALL	
	DENNISON	OAKLAND PARK	
AMHERST	FREEDOM	PERTH AMBOY	CHARLOTTE
BROADVIEW	FRISCO	PLYMOUTH	MT. VERNON
BRUNSWICK	LAFAYETTE	SARASOTA	
CARNEGIE	LAKEWAY	WINCHESTER	
CHESAPEAKE	LIBERTY	YORK	
GORONA	LIVINGSTON		

# Tall Cabinets : Microwave Cabinet

## FOR ALL TALL MICROWAVE CABINETS

- Toe Base Platform, recessed on front and one side, is shipped unattached
- Two fixed shelves. 84" high has one additional adjustable shelf; 87", 90", 93" and 96" high have two additional adjustable shelves; 99" and 102" high have three additional adjustable shelves
- Additional shelves may be ordered as accessory item; see page 17.2
- Weight should be considered in an application where either or both sides are unsupported
- **Thermofoil and Textured Melamine horizontal patterns and grains will run vertically on all Tall cabinets (except 3-door Tall Cabinet), end panels, and doors more than 46 1/2" high**
- Front panel appliance opening is field-cut to size; see below for maximum cut-out sizes

- Available with Profiled Oven Panel; add POV suffix; see below
- Available with Custom Panel Cut-outs; see below and page 9.6
- Can be ordered with custom height panels; add Reconfiguration/Engineering charge on page 9.3
- Standard Front Panel:
  - Melamine – 3/4"-thick Coordinated Melamine
  - Eurotek – 3/4"-thick Coordinated Melamine
  - Textured Melamine – 3/4"-thick Coordinated Melamine
  - Thermofoil – 3/4"-thick Profiled Matching Thermofoil
  - Wood – 3/4"-thick Wood Veneer
  - Metal– 3/4"-thick Coordinated Laminate
  - UltraLux – 3/4"-thick Matching UltraLux



## Tall Microwave Cabinet with 4 Drawers

Price Grade	1	2	3	4	5	6	7	8	9
MWT274D84	2181	2390	2681	3010	3298	3624	4090	4492	4927
MWT304D84	2430	2665	2977	3340	3662	4019	4158	4975	5452
MWT274D87	2306	2528	2830	3186	3489	3836	4326	4753	5215
MWT304D87	2566	2812	3145	3531	3872	4247	4604	5260	5765
MWT274D90	2430	2665	2981	3360	3681	4047	4563	5015	5505
MWT304D90	2701	2958	3312	3720	4080	4477	5051	5545	6081
MWT274D93	2587	2834	3174	3576	3921	4310	4861	5344	5862
MWT304D93	2880	3152	3527	3965	4348	4773	5385	5913	6485
MWT274D96	2744	3007	3365	3792	4158	4572	5158	5671	6222
MWT304D96	3056	3351	3741	4212	4616	5070	5719	6281	6890
MWT274D99	3009	3286	3664	4117	4504	4943	5563	6106	6689
MWT304D99	3340	3657	4064	4567	4991	5476	6160	6757	7401
MWT274D102	3425	3730	4145	4646	5076	5561	6246	6847	7491
MWT304D102	3792	4147	4589	5151	5616	6155	6909	7570	8282

- Deep Metal Drawers are not available on cabinets less than 15" deep.
- To change top drawer to Pull-out Shelf, add "PS" suffix to nomenclature

## Maximum Oven Openings

Cabinet	Panel Size	Cut-Out Size	Frame Opening Size
MWT274D84	26 7/8" w x 21" h	23 7/8" w x 18" h	17 7/8" w x 9" h
MWT304D84	29 7/8" w x 21" h	26 7/8" w x 18" h	20 7/8" w x 9" h
MWT274D87	26 7/8" w x 21" h	23 7/8" w x 18" h	17 7/8" w x 9" h
MWT304D87	29 7/8" w x 21" h	26 7/8" w x 18" h	20 7/8" w x 9" h
MWT274D90	26 7/8" w x 21" h	23 7/8" w x 18" h	17 7/8" w x 9" h
MWT304D90	29 7/8" w x 21" h	26 7/8" w x 18" h	20 7/8" w x 9" h
MWT274D93	26 7/8" w x 21" h	23 7/8" w x 18" h	17 7/8" w x 9" h
MWT304D93	29 7/8" w x 21" h	26 7/8" w x 18" h	20 7/8" w x 9" h
MWT274D96	26 7/8" w x 21" h	23 7/8" w x 18" h	17 7/8" w x 9" h
MWT304D96	29 7/8" w x 21" h	26 7/8" w x 18" h	20 7/8" w x 9" h
MWT274D99	26 7/8" w x 21" h	23 7/8" w x 18" h	17 7/8" w x 9" h
MWT304D99	29 7/8" w x 21" h	26 7/8" w x 18" h	20 7/8" w x 9" h
MWT274D102	26 7/8" w x 21" h	23 7/8" w x 18" h	17 7/8" w x 9" h
MWT304D102	29 7/8" w x 21" h	26 7/8" w x 18" h	20 7/8" w x 9" h

- 1 1/2" perimeter edge width after a maximum cutout.
- Profiled Oven Panels available

## Installed Profiled Oven Panels

	Textured Melamine	Standard Eurotek	Premium Thermofoil	Wood Premium	Wood Metal	UltraLux
POVMT27			720	1331	286	302
POVMT30			763	1410	339	358

- Metal, Textured Melamine and Eurotek door styles are not available with Profiled Oven Panels

### Thermofoil door styles:

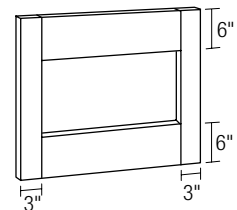
- Profiled Panels are slab-style with outer edge profiled to match the specified door style
- Thermofoil horizontal patterns and grains will run vertical on panels 46 1/2" high and greater

### UltraLux door styles:

- Coordinated UltraLux panel

### Wood door styles:

- Wood Premium available in Walnut
- Not available in Deluxe Veneers, Richmond II or Slab
- Panels for non-mitered door styles will have a matching edge profile
- Panels for mitered door styles will have the following edge profiles:



## Custom Cut-out in a Standard Oven Panel

Panel	Panel	Price Per Panel
Solid Wood Frame	Panel with Cut-outs	Solid Wood Profiled Frame 325
		Wood Veneer, Eurotek and Deluxe Veneer
		Non-Profiled Panel Cut-out 130
		Thermofoil and UltraLux Panel Cut-out 130

- Cost of the oven panel is included in the price of the cabinet; custom cut-outs are an upcharge
- MWTD can have one opening; specify on Custom Cut-Out Oven Panel Forms; see [OneTouch](#)

1/8" RADIUS	CRYSTAL LAKE DENNISON	MARSHALL OAKLAND PARK	CHARLOTTE MT. VERNON
AMHERST	FREEDOM	PERTH-AMBOY	
BROADVIEW	FRISCO	PLYMOUTH	
BRUNSWICK	LAFAYETTE	SARASOTA	
GARNEGIE	LAKEWAY	WINCHESTER	
CHESAPEAKE	LIBERTY	YORK	
GORDON	LIVINGSTON		

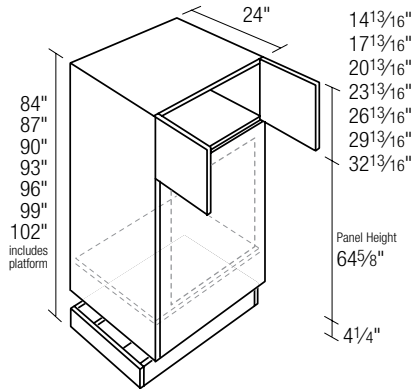
# Tall Cabinets : Oven Cabinets

## FOR ALL TALL OVEN CABINETS

- Front panel appliance opening is field-cut to size
- Reconfigure options available; see page 9.3
- Shipped with oven support shelf and angle brackets
- Additional supports may be required for heavier ovens; order Oven Support Shelf Bracket (page 17.13) and extra shelf (page 17.2)
- Weight should be considered in an application where either or both sides are unsupported

- Toe Base Platform, recessed on front and one side, is shipped unattached
- Be sure a heat shield is built into your appliance by its manufacturer or install the heat shield included with the appliance. Heat shields are sold separately as an accessory, see page 17.9
- **Thermofoil and Textured Melamine horizontal patterns and grains will run vertically on all Tall cabinets (except 3-door Tall Cabinet), end panels, and doors more than 46½" high**

- Standard Front Panel:  
 Melamine – 3/4"-thick Coordinated Melamine  
 Eurotek – 3/4"-thick Coordinated Melamine  
 Textured Melamine – 3/4"-thick Coordinated Melamine  
 Thermofoil – 3/4"-thick Profiled Matching Thermofoil  
 Wood – 3/4"-thick Wood Veneer  
 Metal– 3/4"-thick Coordinated Laminate  
 UltraLux – 3/4"-thick Matching UltraLux



- See next page for Maximum Oven Openings, Installed Profiled Oven Panels and Custom Panel Cut-outs
- One fixed upper shelf. 84" and 87" high have no additional shelves; 90", 93" and 96" high have one additional adjustable shelf; 99" and 102" high have two additional adjustable shelves

## Oven Cabinet with Full-height Panel

Price Grade	1	2	3	4	5	6	7	8	9
OV2784FH	1178	1447	1617	1833	2014	2208	2506	2765	3034
OV3084FH	1338	1646	1843	2092	2292	2517	2854	3147	3458
OV3384FH	1512	1862	2082	2352	2586	2841	3220	3549	3901
OV3684FH	1660	2048	2290	2589	2845	3124	3542	3906	4290
OV2787FH	1246	1528	1710	1933	2126	2334	2646	2915	3203
OV3087FH	1434	1761	1970	2231	2449	2694	3052	3360	3697
OV3387FH	1616	1989	2226	2517	2766	3044	3444	3794	4174
OV3687FH	1777	2188	2447	2769	3043	3349	3788	4176	4590
OV2790FH	1315	1609	1803	2033	2239	2461	2787	3067	3373
OV3090FH	1527	1874	2100	2371	2608	2873	3248	3576	3934
OV3390FH	1721	2116	2369	2682	2947	3246	3669	4040	4445
OV3690FH	1894	2327	2606	2950	3241	3571	4035	4445	4890
OV2793FH	1484	1816	2033	2295	2529	2780	3146	3462	3808
OV3093FH	1695	2083	2333	2634	2897	3189	3609	3970	4371
OV3393FH	1858	2288	2559	2895	3181	3504	3962	4364	4795
OV3693FH	2044	2515	2817	3183	3500	3854	4357	4798	5276
OV2796FH	1649	2022	2266	2559	2818	3101	3507	3857	4242
OV3096FH	1863	2292	2567	2897	3187	3509	3970	4368	4806
OV3396FH	1994	2456	2749	3108	3417	3759	4256	4684	5148
OV3696FH	2193	2702	3026	3420	3760	4134	4683	5152	5664
OV2799FH	1921	2336	2606	2932	3214	3531	3975	4361	4786
OV3099FH	2139	2608	2909	3267	3586	3936	4439	4873	5349
OV3399FH	2238	2733	3047	3430	3762	4123	4657	5113	5610
OV3699FH	2452	2996	3344	3764	4127	4523	5117	5615	6158
OV27102FH	2289	2766	3075	3452	3771	4136	4642	5083	5568
OV30102FH	2523	3055	3396	3800	4164	4559	5130	5621	6158
OV33102FH	2594	3146	3498	3923	4295	4692	5291	5798	6351
OV36102FH	2833	3440	3829	4296	4700	5138	5807	6358	6960

continued on next page



# Tall Cabinets : Oven Cabinets

## FOR ALL TALL OVEN CABINETS

- Front panel appliance opening is field-cut to size
- Reconfigure options available; see page 9.3
- Shipped with oven support shelf and angle brackets
- Additional supports may be required for heavier ovens; order Oven Support Shelf Bracket (page 17.13) and extra shelf (page 17.2)
- Weight should be considered in an application where either or both sides are unsupported
- Toe Base Platform, recessed on front and one side, is shipped unattached
- Be sure a heat shield is built into your appliance by its manufacturer or install the heat shield included with the appliance. Heat shields are sold separately as an accessory, see page 17.9
- **Thermofoil and Textured Melamine horizontal patterns and grains will run vertically on all Tall cabinets (except 3-door Tall Cabinet), end panels, and doors more than 46 1/2" high**

- Standard Front Panel:  
 Melamine – 3/4"-thick Coordinated Melamine  
 Eurotek – 3/4"-thick Coordinated Melamine  
 Textured Melamine – 3/4"-thick Coordinated Melamine  
 Thermofoil – 3/4"-thick Profiled Matching Thermofoil  
 Wood – 3/4"-thick Wood Veneer  
 Metal– 3/4"-thick Coordinated Laminate  
 UltraLux – 3/4"-thick Matching UltraLux

## Oven Cabinet with Full-height Panel *continued from previous page*

### Maximum Oven Openings

Cabinet	Panel Size	Maximum Cut-Out Size	Frame Opening Size
OV2784FH	26 7/8" w x 64 5/8" h	23 7/8" w x 61 5/8" h	20 7/8" w x 52 5/8" h
OV3084FH	29 7/8" w x 64 5/8" h	26 7/8" w x 61 5/8" h	23 7/8" w x 52 5/8" h
OV3384FH	32 7/8" w x 64 5/8" h	29 7/8" w x 61 5/8" h	26 7/8" w x 52 5/8" h
OV3684FH	35 7/8" w x 64 5/8" h	32 7/8" w x 61 5/8" h	29 7/8" w x 52 5/8" h
OV2787FH	26 7/8" w x 64 5/8" h	23 7/8" w x 61 5/8" h	20 7/8" w x 52 5/8" h
OV3087FH	29 7/8" w x 64 5/8" h	26 7/8" w x 61 5/8" h	23 7/8" w x 52 5/8" h
OV3387FH	32 7/8" w x 64 5/8" h	29 7/8" w x 61 5/8" h	26 7/8" w x 52 5/8" h
OV3687FH	35 7/8" w x 64 5/8" h	32 7/8" w x 61 5/8" h	29 7/8" w x 52 5/8" h
OV2790FH	26 7/8" w x 64 5/8" h	23 7/8" w x 61 5/8" h	20 7/8" w x 52 5/8" h
OV3090FH	29 7/8" w x 64 5/8" h	26 7/8" w x 61 5/8" h	23 7/8" w x 52 5/8" h
OV3390FH	32 7/8" w x 64 5/8" h	29 7/8" w x 61 5/8" h	26 7/8" w x 52 5/8" h
OV3690FH	35 7/8" w x 64 5/8" h	32 7/8" w x 61 5/8" h	29 7/8" w x 52 5/8" h
OV2793FH	26 7/8" w x 64 5/8" h	23 7/8" w x 61 5/8" h	20 7/8" w x 52 5/8" h
OV3093FH	29 7/8" w x 64 5/8" h	26 7/8" w x 61 5/8" h	23 7/8" w x 52 5/8" h
OV3393FH	32 7/8" w x 64 5/8" h	29 7/8" w x 61 5/8" h	26 7/8" w x 52 5/8" h
OV3693FH	35 7/8" w x 64 5/8" h	32 7/8" w x 61 5/8" h	29 7/8" w x 52 5/8" h
OV2796FH	26 7/8" w x 64 5/8" h	23 7/8" w x 61 5/8" h	20 7/8" w x 52 5/8" h
OV3096FH	29 7/8" w x 64 5/8" h	26 7/8" w x 61 5/8" h	23 7/8" w x 52 5/8" h
OV3396FH	32 7/8" w x 64 5/8" h	29 7/8" w x 61 5/8" h	26 7/8" w x 52 5/8" h
OV3696FH	35 7/8" w x 64 5/8" h	32 7/8" w x 61 5/8" h	29 7/8" w x 52 5/8" h
OV2799FH	26 7/8" w x 64 5/8" h	23 7/8" w x 61 5/8" h	20 7/8" w x 52 5/8" h
OV3099FH	29 7/8" w x 64 5/8" h	26 7/8" w x 61 5/8" h	23 7/8" w x 52 5/8" h
OV3399FH	32 7/8" w x 64 5/8" h	29 7/8" w x 61 5/8" h	26 7/8" w x 52 5/8" h
OV3699FH	35 7/8" w x 64 5/8" h	32 7/8" w x 61 5/8" h	29 7/8" w x 52 5/8" h
OV27102FH	26 7/8" w x 64 5/8" h	23 7/8" w x 61 5/8" h	20 7/8" w x 52 5/8" h
OV30102FH	29 7/8" w x 64 5/8" h	26 7/8" w x 61 5/8" h	23 7/8" w x 52 5/8" h
OV33102FH	32 7/8" w x 64 5/8" h	29 7/8" w x 61 5/8" h	26 7/8" w x 52 5/8" h
OV36102FH	35 7/8" w x 64 5/8" h	32 7/8" w x 61 5/8" h	29 7/8" w x 52 5/8" h

- 1 1/2" perimeter edge width after a maximum cutout

### Installed Profiled Oven Panels

	Textured Melamine	Standard Thermofoil	Premium Thermofoil	Wood Premium	Wood Metal	UltraLux
POV27FH		1541	2850	621	656	
POV30FH		1709	3161	671	709	
POV33FH		1882	3481	725	766	
POV36FH		2072	3831	799	845	

- Metal, Textured Melamine and Eurotek door styles are not available with Profiled Oven Panels

#### Thermofoil door styles:

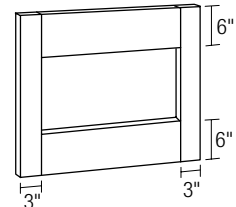
- Profiled Panels are slab-style with outer edge profiled to match the specified door style
- Thermofoil horizontal patterns and grains will run vertical on panels 46 1/2" high and greater

#### UltraLux door styles:

- Coordinated UltraLux panel

#### Wood door styles:

- Wood Premium available in Walnut
- Not available in Deluxe Veneers, Richmond II or Slab
- Panels for non-mitered door styles will have a matching edge profile
- Panels for mitered door styles will have the following edge profiles:



1/8" RADIUS	CRYSTAL LAKE DENNISON	MARSHALL OAKLAND PARK	CHARLOTTE MT. VERNON
AMHERST	FREEDOM	PERTH-AMBOY	
BROADVIEW	FRISCO	PLYMOUTH	
BRUNSWICK	LAFAYETTE	SARASOTA	
GARNEGIE	LAKEWAY	WINCHESTER	
CHESAPEAKE	LIBERTY	YORK	
GORONA	LIVINGSTON		

### Custom Cut-out in a Standard Oven Panel

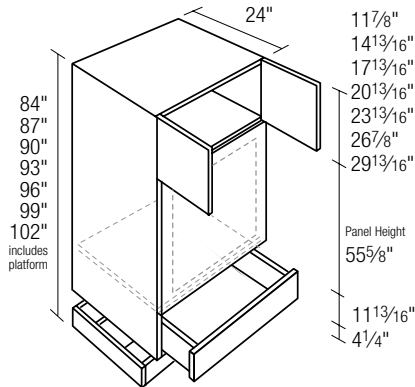
Panel	Price Per Panel
	Solid Wood Profiled Frame 325
	Wood Veneer, Eurotek and Deluxe Veneer
	Non-Profiled Panel Cut-out 130
	Thermofoil and UltraLux Panel Cut-out 130

- Cost of the oven panel is included in the price of the cabinet; custom cut-outs are an upcharge
- OVFH can have up to three openings; specify on Custom Cut-Out Oven Panel Forms; see [OneTouch](#)

# Tall Cabinets : Oven Cabinets

## FOR ALL TALL OVEN CABINETS

- Front panel appliance opening is field-cut to size
- Reconfigure options available; see page 9.3
- Shipped with oven support shelf and angle brackets
- Additional supports may be required for heavier ovens; order Oven Support Shelf Bracket (page 17.13) and extra shelf (page 17.2)
- Weight should be considered in an application where either or both sides are unsupported
- Toe Base Platform, recessed on front and one side, is shipped unattached
- Be sure a heat shield is built into your appliance by its manufacturer or install the heat shield included with the appliance. Heat shields are sold separately as an accessory, see page 17.9
- **Thermofoil and Textured Melamine horizontal patterns and grains will run vertically on all Tall cabinets (except 3-door Tall Cabinet), end panels, and doors more than 46½" high**
- Standard Front Panel:  
Melamine – 3/4"-thick Coordinated Melamine  
Eurotek – 3/4"-thick Coordinated Melamine  
Textured Melamine – 3/4"-thick Coordinated Melamine  
Thermofoil – 3/4"-thick Profiled Matching Thermofoil  
Wood – 3/4"-thick Wood Veneer  
Metal– 3/4"-thick Coordinated Laminate  
UltraLux – 3/4"-thick Matching UltraLux



- See next page for Maximum Oven Openings, Installed Profiled Oven Panels and Custom Panel Cut-outs
- One fixed upper shelf. 84", 87" and 90" high have no additional shelves; 93" and 96" high have one additional adjustable shelf; 99" and 102" high have two additional adjustable shelves

## Oven Cabinet with One Drawer

Price Grade	1	2	3	4	5	6	7	8	9
OV271D84	1220	1471	1654	1873	2058	2265	2563	2821	3106
OV301D84	1385	1676	1881	2125	2342	2575	2916	3206	3523
OV331D84	1555	1888	2114	2390	2634	2896	3278	3607	3969
OV361D84	1710	2078	2325	2631	2897	3185	3606	3968	4367
OV271D87	1290	1555	1746	1972	2170	2386	2703	2973	3272
OV301D87	1478	1790	2009	2269	2497	2747	3111	3420	3761
OV331D87	1661	2018	2263	2556	2813	3094	3505	3854	4240
OV361D87	1827	2218	2487	2813	3094	3403	3854	4238	4665
OV271D90	1360	1639	1836	2074	2283	2507	2844	3125	3438
OV301D90	1574	1903	2137	2412	2654	2920	3304	3634	3998
OV331D90	1767	2147	2408	2721	2992	3294	3730	4100	4511
OV361D90	1942	2359	2649	2994	3293	3622	4101	4509	4962
OV271D93	1526	1845	2069	2338	2573	2827	3203	3521	3874
OV301D93	1739	2111	2371	2675	2943	3240	3667	4032	4437
OV331D93	1902	2314	2596	2936	3229	3550	4023	4425	4869
OV361D93	2093	2545	2856	3230	3550	3907	4426	4868	5355
OV271D96	1694	2053	2301	2601	2863	3148	3563	3920	4311
OV301D96	1908	2318	2602	2939	3233	3555	4029	4430	4875
OV331D96	2040	2481	2787	3149	3464	3811	4317	4750	5226
OV361D96	2243	2730	3065	3464	3811	4192	4750	5225	5748
OV271D99	1969	2370	2642	2971	3263	3576	4030	4426	4854
OV301D99	2184	2632	2940	3312	3630	3980	4499	4936	5422
OV331D99	2285	2756	3084	3469	3808	4179	4718	5183	5692
OV361D99	2502	3023	3381	3807	4179	4587	5181	5691	6248
OV271D102	2343	2805	3115	3489	3827	4183	4699	5153	5641
OV301D102	2569	3078	3427	3851	4209	4605	5193	5690	6239
OV331D102	2644	3170	3535	3963	4342	4756	5355	5873	6442
OV361D102	2885	3468	3866	4340	4756	5212	5871	6441	7060

continued on next page

# Tall Cabinets : Oven Cabinets

## FOR ALL TALL OVEN CABINETS

- Front panel appliance opening is field-cut to size
- Reconfigure options available; see page 9.3
- Shipped with oven support shelf and angle brackets
- Additional supports may be required for heavier ovens; order Oven Support Shelf Bracket (page 17.13) and extra shelf (page 17.2)
- Weight should be considered in an application where either or both sides are unsupported
- Toe Base Platform, recessed on front and one side, is shipped unattached
- Be sure a heat shield is built into your appliance by its manufacturer or install the heat shield included with the appliance. Heat shields are sold separately as an accessory, see page 17.9
- **Thermofoil and Textured Melamine horizontal patterns and grains will run vertically on all Tall cabinets (except 3-door Tall Cabinet), end panels, and doors more than 46 1/2" high**
- Standard Front Panel:
  - Melamine – 3/4"-thick Coordinated Melamine
  - Eurotek – 3/4"-thick Coordinated Melamine
  - Textured Melamine – 3/4"-thick Coordinated Melamine
  - Thermofoil – 3/4"-thick Profiled Matching Thermofoil
  - Wood – 3/4"-thick Wood Veneer
  - Metal – 3/4"-thick Coordinated Laminate
  - UltraLux – 3/4"-thick Matching UltraLux

## Oven Cabinet with One Drawer *continued from previous page*

### Maximum Oven Openings

Cabinet	Panel Size	Maximum Cut-Out Size	Frame Opening Size
OV271D84	26 7/8" w x 55 5/8" h	23 7/8" w x 52 1/2" h	20 7/8" w x 43 5/8" h
OV301D84	29 7/8" w x 55 5/8" h	26 7/8" w x 52 1/2" h	23 7/8" w x 43 5/8" h
OV331D84	32 7/8" w x 55 5/8" h	29 7/8" w x 52 1/2" h	26 7/8" w x 43 5/8" h
OV361D84	35 7/8" w x 55 5/8" h	32 7/8" w x 52 1/2" h	29 7/8" w x 43 5/8" h
OV271D87	26 7/8" w x 55 5/8" h	23 7/8" w x 52 1/2" h	20 7/8" w x 43 5/8" h
OV301D87	29 7/8" w x 55 5/8" h	26 7/8" w x 52 1/2" h	23 7/8" w x 43 5/8" h
OV331D87	32 7/8" w x 55 5/8" h	29 7/8" w x 52 1/2" h	26 7/8" w x 43 5/8" h
OV361D87	35 7/8" w x 55 5/8" h	32 7/8" w x 52 1/2" h	29 7/8" w x 43 5/8" h
OV271D90	26 7/8" w x 55 5/8" h	23 7/8" w x 52 1/2" h	20 7/8" w x 43 5/8" h
OV301D90	29 7/8" w x 55 5/8" h	26 7/8" w x 52 1/2" h	23 7/8" w x 43 5/8" h
OV331D90	32 7/8" w x 55 5/8" h	29 7/8" w x 52 1/2" h	26 7/8" w x 43 5/8" h
OV361D90	35 7/8" w x 55 5/8" h	32 7/8" w x 52 1/2" h	29 7/8" w x 43 5/8" h
OV271D93	26 7/8" w x 55 5/8" h	23 7/8" w x 52 1/2" h	20 7/8" w x 43 5/8" h
OV301D93	29 7/8" w x 55 5/8" h	26 7/8" w x 52 1/2" h	23 7/8" w x 43 5/8" h
OV331D93	32 7/8" w x 55 5/8" h	29 7/8" w x 52 1/2" h	26 7/8" w x 43 5/8" h
OV361D93	35 7/8" w x 55 5/8" h	32 7/8" w x 52 1/2" h	29 7/8" w x 43 5/8" h
OV271D96	26 7/8" w x 55 5/8" h	23 7/8" w x 52 1/2" h	20 7/8" w x 43 5/8" h
OV301D96	29 7/8" w x 55 5/8" h	26 7/8" w x 52 1/2" h	23 7/8" w x 43 5/8" h
OV331D96	32 7/8" w x 55 5/8" h	29 7/8" w x 52 1/2" h	26 7/8" w x 43 5/8" h
OV361D96	35 7/8" w x 55 5/8" h	32 7/8" w x 52 1/2" h	29 7/8" w x 43 5/8" h
OV271D99	26 7/8" w x 55 5/8" h	23 7/8" w x 52 1/2" h	20 7/8" w x 43 5/8" h
OV301D99	29 7/8" w x 55 5/8" h	26 7/8" w x 52 1/2" h	23 7/8" w x 43 5/8" h
OV331D99	32 7/8" w x 55 5/8" h	29 7/8" w x 52 1/2" h	26 7/8" w x 43 5/8" h
OV361D99	35 7/8" w x 55 5/8" h	32 7/8" w x 52 1/2" h	29 7/8" w x 43 5/8" h
OV271D102	26 7/8" w x 55 5/8" h	23 7/8" w x 52 1/2" h	20 7/8" w x 43 5/8" h
OV301D102	29 7/8" w x 55 5/8" h	26 7/8" w x 52 1/2" h	23 7/8" w x 43 5/8" h
OV331D102	32 7/8" w x 55 5/8" h	29 7/8" w x 52 1/2" h	26 7/8" w x 43 5/8" h
OV361D102	35 7/8" w x 55 5/8" h	32 7/8" w x 52 1/2" h	29 7/8" w x 43 5/8" h

• 1 1/2" perimeter edge width after a maximum cutout

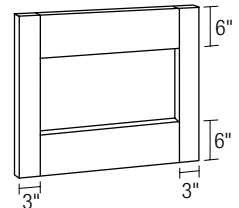
### Installed Profiled Oven Panels

	Textured Melamine	Standard Thermofoil	Premium Thermofoil	Wood Premium	Metal	UltraLux
POV271D		1396	2584	558	590	
POV301D		1493	2763	585	618	
POV331D		1636	3027	635	671	
POV361D		1799	3328	698	738	

- Metal, Textured Melamine and Eurotek door styles are not available with Profiled Oven Panels

#### Thermofoil door styles:

- Profiled Panels are slab-style with outer edge profiled to match the specified door style
- Thermofoil horizontal patterns and grains will run vertical on panels 46 1/2" high and greater



#### UltraLux door styles:

- Coordinated UltraLux panel

#### Wood door styles:

- Wood Premium available in Walnut
- Not available in Deluxe Veneers, Richmond II or Slab
- Panels for non-mitered door styles will have a matching edge profile
- Panels for mitered door styles will have the following edge profiles:

1/8" RADIUS	CRYSTAL LAKE	MARSHALL	
	DENNISON	OAKLAND PARK	
AMHERST	FREEDOM	PERTH-AMBOY	CHARLOTTE
BROADVIEW	FRISCO	PLYMOUTH	MT. VERNON
BRUNSWICK	LAFAYETTE	SARASOTA	
GARNEGIE	LAKEWAY	WINCHESTER	
CHESAPEAKE	LIBERTY	YORK	
GORONA	LIVINGSTON		

### Custom Cut-out in a Standard Oven Panel

Panel	Price Per Panel
	Solid Wood Profiled Frame 325
	Wood Veneer, Eurotek and Deluxe Veneer
	Non-Profiled Panel Cut-out 130
	Thermofoil and UltraLux Panel Cut-out 130

- Cost of the oven panel is included in the price of the cabinet; custom cut-outs are an upcharge
- OVFH can have up to three openings; specify on Custom Cut-Out Oven Panel Forms; see [OneTouch](#)

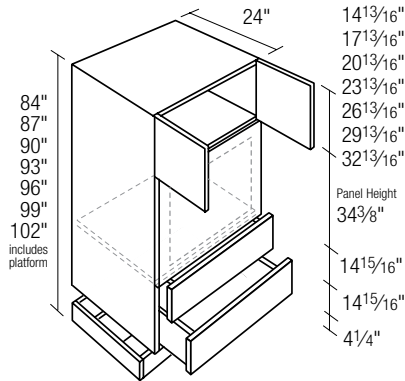
# Tall Cabinets : Oven Cabinets

## FOR ALL TALL OVEN CABINETS

- Front panel appliance opening is field-cut to size
- Reconfigure options available; see page 9.3
- Shipped with oven support shelf and angle brackets
- Additional supports may be required for heavier ovens; order Oven Support Shelf Bracket (page 17.13) and extra shelf (page 17.2)
- Weight should be considered in an application where either or both sides are unsupported

- Toe Base Platform, recessed on front and one side, is shipped unattached
- Be sure a heat shield is built into your appliance by its manufacturer or install the heat shield included with the appliance. Heat shields are sold separately as an accessory, see page 17.9
- **Thermofoil and Textured Melamine horizontal patterns and grains will run vertically on all Tall cabinets (except 3-door Tall Cabinet), end panels, and doors more than 46½" high**

- **Standard Front Panel:**  
 Melamine – 3/4"-thick Coordinated Melamine  
 Eurotek – 3/4"-thick Coordinated Melamine  
 Textured Melamine – 3/4"-thick Coordinated Melamine  
 Thermofoil – 3/4"-thick Profiled Matching Thermofoil  
 Wood – 3/4"-thick Wood Veneer  
 Metal– 3/4"-thick Coordinated Laminate  
 UltraLux – 3/4"-thick Matching UltraLux



- See next page for Maximum Oven Openings, Installed Profiled Oven Panels and Custom Panel Cut-outs
- One fixed upper shelf. 84" and 87" high have no additional shelves; 90", 93" and 96" high have one additional adjustable shelf; 99" and 102" high have two additional adjustable shelves

## Oven Cabinet with Two Drawers

Price Grade	1	2	3	4	5	6	7	8	9
OV272D84	1220	1471	1654	1873	2058	2265	2563	2821	3106
OV302D84	1385	1676	1881	2125	2342	2575	2916	3206	3523
OV332D84	1555	1888	2114	2390	2634	2896	3278	3607	3969
OV362D84	1710	2078	2325	2631	2897	3185	3606	3968	4367
OV272D87	1290	1555	1746	1973	2170	2386	2703	2973	3272
OV302D87	1480	1789	2009	2268	2498	2747	3111	3420	3761
OV332D87	1661	2017	2262	2556	2814	3094	3505	3854	4240
OV362D87	1826	2218	2487	2813	3094	3403	3854	4239	4665
OV272D90	1360	1639	1836	2074	2283	2507	2844	3125	3438
OV302D90	1574	1903	2137	2412	2654	2920	3304	3634	3998
OV332D90	1767	2147	2408	2721	2992	3294	3730	4100	4511
OV362D90	1942	2359	2649	2994	3293	3622	4101	4509	4962
OV272D93	1526	1845	2069	2338	2573	2827	3203	3521	3874
OV302D93	1739	2111	2371	2675	2943	3240	3667	4032	4437
OV332D93	1902	2314	2596	2936	3229	3550	4023	4425	4869
OV362D93	2093	2545	2856	3230	3550	3907	4426	4868	5355
OV272D96	1694	2053	2301	2601	2863	3148	3563	3920	4311
OV302D96	1908	2318	2602	2939	3233	3555	4029	4430	4875
OV332D96	2040	2481	2787	3149	3464	3811	4317	4750	5226
OV362D96	2243	2730	3065	3464	3811	4192	4750	5225	5748
OV272D99	1969	2370	2642	2971	3263	3576	4030	4426	4854
OV302D99	2184	2632	2940	3312	3630	3980	4499	4936	5422
OV332D99	2285	2756	3084	3469	3808	4179	4718	5183	5692
OV362D99	2502	3023	3381	3807	4179	4587	5181	5691	6248
OV272D102	2343	2805	3115	3489	3827	4183	4699	5153	5641
OV302D102	2569	3078	3427	3851	4209	4605	5193	5690	6239
OV332D102	2644	3170	3535	3963	4342	4756	5355	5873	6442
OV362D102	2885	3468	3866	4340	4756	5212	5871	6441	7060

continued on next page

# Tall Cabinets : Oven Cabinets

## FOR ALL TALL OVEN CABINETS

- Front panel appliance opening is field-cut to size
- Reconfigure options available; see page 9.3
- Shipped with oven support shelf and angle brackets
- Additional supports may be required for heavier ovens; order Oven Support Shelf Bracket (page 17.13) and extra shelf (page 17.2)
- Weight should be considered in an application where either or both sides are unsupported
- Toe Base Platform, recessed on front and one side, is shipped unattached
- Be sure a heat shield is built into your appliance by its manufacturer or install the heat shield included with the appliance. Heat shields are sold separately as an accessory, see page 17.9
- **Thermofoil and Textured Melamine horizontal patterns and grains will run vertically on all Tall cabinets (except 3-door Tall Cabinet), end panels, and doors more than 46 1/2" high**
- Standard Front Panel:  
Melamine – 3/4"-thick Coordinated Melamine  
Eurotek – 3/4"-thick Coordinated Melamine  
Textured Melamine – 3/4"-thick Coordinated Melamine  
Thermofoil – 3/4"-thick Profiled Matching Thermofoil  
Wood – 3/4"-thick Wood Veneer  
Metal– 3/4"-thick Coordinated Laminate  
UltraLux – 3/4"-thick Matching UltraLux

## Oven Cabinet with Two Drawers *continued from previous page*

### Maximum Oven Openings

Cabinet	Panel Size	Maximum Cut-Out Size	Frame Opening Size
OV272D84	267/8" w x 343/8" h	237/8" w x 313/8" h	207/8" w x 223/8" h
OV302D84	297/8" w x 343/8" h	267/8" w x 313/8" h	237/8" w x 223/8" h
OV332D84	327/8" w x 343/8" h	297/8" w x 313/8" h	267/8" w x 223/8" h
OV362D84	357/8" w x 343/8" h	327/8" w x 313/8" h	297/8" w x 223/8" h
OV272D87	267/8" w x 343/8" h	237/8" w x 313/8" h	207/8" w x 223/8" h
OV302D87	297/8" w x 343/8" h	267/8" w x 313/8" h	237/8" w x 223/8" h
OV332D87	327/8" w x 343/8" h	297/8" w x 313/8" h	267/8" w x 223/8" h
OV362D87	357/8" w x 343/8" h	327/8" w x 313/8" h	297/8" w x 223/8" h
OV272D90	267/8" w x 343/8" h	237/8" w x 313/8" h	207/8" w x 223/8" h
OV302D90	297/8" w x 343/8" h	267/8" w x 313/8" h	237/8" w x 223/8" h
OV332D90	327/8" w x 343/8" h	297/8" w x 313/8" h	267/8" w x 223/8" h
OV362D90	357/8" w x 343/8" h	327/8" w x 313/8" h	297/8" w x 223/8" h
OV272D93	267/8" w x 343/8" h	237/8" w x 313/8" h	207/8" w x 223/8" h
OV302D93	297/8" w x 343/8" h	267/8" w x 313/8" h	237/8" w x 223/8" h
OV332D93	327/8" w x 343/8" h	297/8" w x 313/8" h	267/8" w x 223/8" h
OV362D93	357/8" w x 343/8" h	327/8" w x 313/8" h	297/8" w x 223/8" h
OV272D96	267/8" w x 343/8" h	237/8" w x 313/8" h	207/8" w x 223/8" h
OV302D96	297/8" w x 343/8" h	267/8" w x 313/8" h	237/8" w x 223/8" h
OV332D96	327/8" w x 343/8" h	297/8" w x 313/8" h	267/8" w x 223/8" h
OV362D96	357/8" w x 343/8" h	327/8" w x 313/8" h	297/8" w x 223/8" h
OV272D99	267/8" w x 343/8" h	237/8" w x 313/8" h	207/8" w x 223/8" h
OV302D99	297/8" w x 343/8" h	267/8" w x 313/8" h	237/8" w x 223/8" h
OV332D99	327/8" w x 343/8" h	297/8" w x 313/8" h	267/8" w x 223/8" h
OV362D99	357/8" w x 343/8" h	327/8" w x 313/8" h	297/8" w x 223/8" h
OV272D102	267/8" w x 343/8" h	237/8" w x 313/8" h	207/8" w x 223/8" h
OV302D102	297/8" w x 343/8" h	267/8" w x 313/8" h	237/8" w x 223/8" h
OV332D102	327/8" w x 343/8" h	297/8" w x 313/8" h	267/8" w x 223/8" h
OV362D102	357/8" w x 343/8" h	327/8" w x 313/8" h	297/8" w x 223/8" h

- 1/2" perimeter edge width after a maximum cutout

### Installed Profiled Oven Panels

	Textured Melamine	Standard Thermofoil	Premium Thermofoil	Wood Premium	UltraLux
POVT27		1348	2492	536	567
POVT30		1464	2708	580	613
POVT33		1608	2975	640	677
POVT36		1768	3271	703	743

- Metal, Textured Melamine and Eurotek door styles are not available with Profiled Oven Panels

#### Thermofoil door styles:

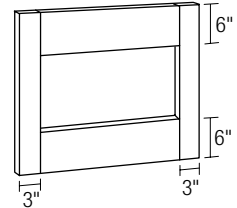
- Profiled Panels are slab-style with outer edge profiled to match the specified door style
- Thermofoil horizontal patterns and grains will run vertical on panels 46 1/2" high and greater

#### UltraLux door styles:

- Coordinated UltraLux panel

#### Wood door styles:

- Wood Premium available in Walnut
- Not available in Deluxe Veneers, Richmond II or Slab
- Panels for non-mitered door styles will have a matching edge profile
- Panels for mitered door styles will have the following edge profiles:



1/8" RADIUS	CRYSTAL LAKE	MARSHALL	
	DENNISON	OAKLAND PARK	
AMHERST	FREEDOM	PERTH-AMBOY	CHARLOTTE
BROADVIEW	FRISCO	PLYMOUTH	MT. VERNON
BRUNSWICK	LAFAYETTE	SARASOTA	
GARNEGIE	LAKEWAY	WINCHESTER	
CHESAPEAKE	LIBERTY	YORK	
GORONA	LIVINGSTON		

### Custom Cut-out in a Standard Oven Panel

Panel	Price Per Panel
Solid Wood Profiled Frame	325
Wood Veneer, Eurotek and Deluxe Veneer	
Non-Profiled Panel Cut-out	130
Thermofoil and UltraLux Panel Cut-out	130

- Cost of the oven panel is included in the price of the cabinet; custom cut-outs are an upcharge
- OVFH can have up to three openings; specify on Custom Cut-Out Oven Panel Forms; see [OneTouch](#)

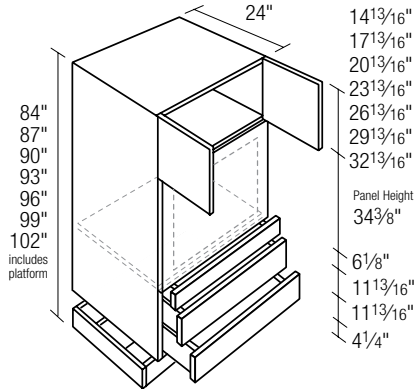
# Tall Cabinets : Oven Cabinets

## FOR ALL TALL OVEN CABINETS

- Front panel appliance opening is field-cut to size
- Reconfigure options available; see page 9.3
- Shipped with oven support shelf and angle brackets
- Additional supports may be required for heavier ovens; order Oven Support Shelf Bracket (page 17.13) and extra shelf (page 17.2)
- Weight should be considered in an application where either or both sides are unsupported

- Toe Base Platform, recessed on front and one side, is shipped unattached
- Be sure a heat shield is built into your appliance by its manufacturer or install the heat shield included with the appliance. Heat shields are sold separately as an accessory, see page 17.9
- **Thermofoil and Textured Melamine horizontal patterns and grains will run vertically on all Tall cabinets (except 3-door Tall Cabinet), end panels, and doors more than 46½" high**

- Standard Front Panel:  
 Melamine – 3/4"-thick Coordinated Melamine  
 Eurotek – 3/4"-thick Coordinated Melamine  
 Textured Melamine – 3/4"-thick Coordinated Melamine  
 Thermofoil – 3/4"-thick Profiled Matching Thermofoil  
 Wood – 3/4"-thick Wood Veneer  
 Metal– 3/4"-thick Coordinated Laminate  
 UltraLux – 3/4"-thick Matching UltraLux



- See next page for Maximum Oven Openings, Installed Profiled Oven Panels and Custom Panel Cut-outs
- One fixed upper shelf. 84" and 87" high have no additional shelves; 90", 93" and 96" high have one additional adjustable shelf; 99" and 102" high have two additional adjustable shelves

## Oven Cabinet with Three Drawers

Price Grade	1	2	3	4	5	6	7	8	9
OV273D84	1503	1742	1957	2213	2433	2678	3033	3334	3670
OV303D84	1683	1956	2193	2480	2730	3002	3401	3739	4112
OV333D84	1870	2176	2439	2755	3034	3336	3779	4156	4572
OV363D84	2056	2392	2682	3033	3336	3670	4157	4572	5029
OV273D87	1592	1843	2069	2338	2572	2828	3204	3523	3877
OV303D87	1792	2081	2336	2639	2904	3194	3617	3977	4375
OV333D87	1989	2315	2596	2933	3227	3550	4021	4422	4865
OV363D87	2187	2545	2855	3228	3549	3906	4423	4865	5351
OV273D90	1680	1944	2180	2463	2710	2980	3376	3712	4084
OV303D90	1901	2207	2479	2798	3078	3386	3833	4215	4638
OV333D90	2108	2454	2753	3112	3420	3765	4264	4688	5157
OV363D90	2318	2696	3029	3425	3763	4141	4689	5157	5673
OV273D93	1844	2138	2399	2712	2983	3281	3715	4086	4495
OV303D93	2072	2409	2706	3054	3360	3698	4187	4603	5065
OV333D93	2264	2637	2959	3346	3679	4048	4584	5041	5547
OV363D93	2490	2901	3256	3681	4047	4454	5042	5546	6102
OV273D96	2007	2334	2618	2960	3258	3581	4054	4460	4905
OV303D96	2242	2612	2932	3313	3643	4007	4539	4991	5491
OV333D96	2420	2821	3166	3579	3937	4331	4905	5396	5936
OV363D96	2662	3103	3484	3939	4331	4765	5396	5934	6529
OV273D99	2277	2637	2945	3316	3642	3991	4502	4944	5424
OV303D99	2521	2924	3267	3680	4032	4425	5000	5488	6026
OV333D99	2685	3112	3482	3922	4302	4722	5335	5858	6432
OV363D99	2941	3414	3819	4306	4723	5184	5857	6429	7063
OV273D102	2662	3072	3418	3839	4207	4600	5175	5674	6213
OV303D102	2925	3382	3764	4231	4624	5064	5710	6259	6863
OV333D102	3084	3559	3972	4461	4883	5350	6032	6613	7251
OV363D102	3368	3895	4346	4887	5352	5861	6611	7246	7950

continued on next page

# Tall Cabinets : Oven Cabinets

## FOR ALL TALL OVEN CABINETS

- Front panel appliance opening is field-cut to size
- Reconfigure options available; see page 9.3
- Shipped with oven support shelf and angle brackets
- Additional supports may be required for heavier ovens; order Oven Support Shelf Bracket (page 17.13) and extra shelf (page 17.2)
- Weight should be considered in an application where either or both sides are unsupported
- Toe Base Platform, recessed on front and one side, is shipped unattached
- Be sure a heat shield is built into your appliance by its manufacturer or install the heat shield included with the appliance. Heat shields are sold separately as an accessory, see page 17.9
- **Thermofoil and Textured Melamine horizontal patterns and grains will run vertically on all Tall cabinets (except 3-door Tall Cabinet), end panels, and doors more than 46 1/2" high**
- Standard Front Panel:
  - Melamine – 3/4"-thick Coordinated Melamine
  - Eurotek – 3/4"-thick Coordinated Melamine
  - Textured Melamine – 3/4"-thick Coordinated Melamine
  - Thermofoil – 3/4"-thick Profiled Matching Thermofoil
  - Wood – 3/4"-thick Wood Veneer
  - Metal– 3/4"-thick Coordinated Laminate
  - UltraLux – 3/4"-thick Matching UltraLux

## Oven Cabinet with Three Drawers *continued from previous page*

### Maximum Oven Openings

Cabinet	Panel Size	Maximum Cut-Out Size	Frame Opening Size
OV273D84	26 7/8" w x 34 3/8" h	23 7/8" w x 31 3/8" h	20 7/8" w x 22 3/8" h
OV303D84	29 7/8" w x 34 3/8" h	26 7/8" w x 31 3/8" h	23 7/8" w x 22 3/8" h
OV333D84	32 7/8" w x 34 3/8" h	29 7/8" w x 31 3/8" h	26 7/8" w x 22 3/8" h
OV363D84	35 7/8" w x 34 3/8" h	32 7/8" w x 31 3/8" h	29 7/8" w x 22 3/8" h
OV273D87	26 7/8" w x 34 3/8" h	23 7/8" w x 31 3/8" h	20 7/8" w x 22 3/8" h
OV303D87	29 7/8" w x 34 3/8" h	26 7/8" w x 31 3/8" h	23 7/8" w x 22 3/8" h
OV333D87	32 7/8" w x 34 3/8" h	29 7/8" w x 31 3/8" h	26 7/8" w x 22 3/8" h
OV363D87	35 7/8" w x 34 3/8" h	32 7/8" w x 31 3/8" h	29 7/8" w x 22 3/8" h
OV273D90	26 7/8" w x 34 3/8" h	23 7/8" w x 31 3/8" h	20 7/8" w x 22 3/8" h
OV303D90	29 7/8" w x 34 3/8" h	26 7/8" w x 31 3/8" h	23 7/8" w x 22 3/8" h
OV333D90	32 7/8" w x 34 3/8" h	29 7/8" w x 31 3/8" h	26 7/8" w x 22 3/8" h
OV363D90	35 7/8" w x 34 3/8" h	32 7/8" w x 31 3/8" h	29 7/8" w x 22 3/8" h
OV273D93	26 7/8" w x 34 3/8" h	23 7/8" w x 31 3/8" h	20 7/8" w x 22 3/8" h
OV303D93	29 7/8" w x 34 3/8" h	26 7/8" w x 31 3/8" h	23 7/8" w x 22 3/8" h
OV333D93	32 7/8" w x 34 3/8" h	29 7/8" w x 31 3/8" h	26 7/8" w x 22 3/8" h
OV363D93	35 7/8" w x 34 3/8" h	32 7/8" w x 31 3/8" h	29 7/8" w x 22 3/8" h
OV273D96	26 7/8" w x 34 3/8" h	23 7/8" w x 31 3/8" h	20 7/8" w x 22 3/8" h
OV303D96	29 7/8" w x 34 3/8" h	26 7/8" w x 31 3/8" h	23 7/8" w x 22 3/8" h
OV333D96	32 7/8" w x 34 3/8" h	29 7/8" w x 31 3/8" h	26 7/8" w x 22 3/8" h
OV363D96	35 7/8" w x 34 3/8" h	32 7/8" w x 31 3/8" h	29 7/8" w x 22 3/8" h
OV273D99	26 7/8" w x 34 3/8" h	23 7/8" w x 31 3/8" h	20 7/8" w x 22 3/8" h
OV303D99	29 7/8" w x 34 3/8" h	26 7/8" w x 31 3/8" h	23 7/8" w x 22 3/8" h
OV333D99	32 7/8" w x 34 3/8" h	29 7/8" w x 31 3/8" h	26 7/8" w x 22 3/8" h
OV363D99	35 7/8" w x 34 3/8" h	32 7/8" w x 31 3/8" h	29 7/8" w x 22 3/8" h
OV273D102	26 7/8" w x 34 3/8" h	23 7/8" w x 31 3/8" h	20 7/8" w x 22 3/8" h
OV303D102	29 7/8" w x 34 3/8" h	26 7/8" w x 31 3/8" h	23 7/8" w x 22 3/8" h
OV333D102	32 7/8" w x 34 3/8" h	29 7/8" w x 31 3/8" h	26 7/8" w x 22 3/8" h
OV363D102	35 7/8" w x 34 3/8" h	32 7/8" w x 31 3/8" h	29 7/8" w x 22 3/8" h

- 1/2" perimeter edge width after a maximum cutout

### Installed Profiled Oven Panels

	Textured Melamine	Standard Thermofoil	Premium Thermofoil	Wood Premium	Wood Metal	UltraLux
POVT27		1348	2492	536	567	
POVT30		1464	2708	580	613	
POVT33		1608	2975	640	677	
POVT36		1768	3271	703	743	

- Metal, Textured Melamine and Eurotek door styles are not available with Profiled Oven Panels

#### Thermofoil door styles:

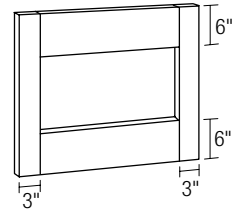
- Profiled Panels are slab-style with outer edge profiled to match the specified door style
- Thermofoil horizontal patterns and grains will run vertical on panels 46 1/2" high and greater

#### UltraLux door styles:

- Coordinated UltraLux panel

#### Wood door styles:

- Wood Premium available in Walnut
- Not available in Deluxe Veneers, Richmond II or Slab
- Panels for non-mitered door styles will have a matching edge profile
- Panels for mitered door styles will have the following edge profiles:



1/8" RADIUS	CRYSTAL LAKE	MARSHALL	
	DENNISON	OAKLAND PARK	
AMHERST	FREEDOM	PERTH-AMBOY	CHARLOTTE
BROADVIEW	FRISCO	PLYMOUTH	MT. VERNON
BRUNSWICK	LAFAYETTE	SARASOTA	
CARNEGIE	LAKEWAY	WINCHESTER	
CHESAPEAKE	LIBERTY	YORK	
GORONA	LIVINGSTON		

### Custom Cut-out in a Standard Oven Panel

Panel	Price Per Panel
	Solid Wood Profiled Frame 325
	Wood Veneer, Eurotek and Deluxe Veneer
	Non-Profiled Panel Cut-out 130
	Thermofoil and UltraLux Panel Cut-out 130

• Cost of the oven panel is included in the price of the cabinet; custom cut-outs are an upcharge  
 • OVFH can have up to three openings; specify on Custom Cut-Out Oven Panel Forms; see [OneTouch](#)

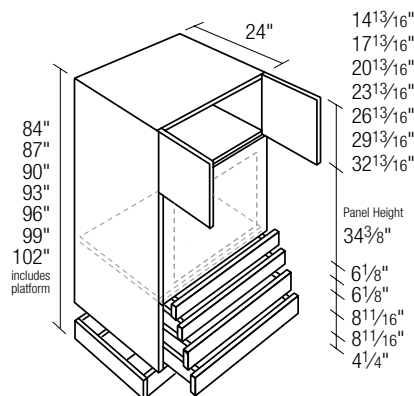
# Tall Cabinets : Oven Cabinets

## FOR ALL TALL OVEN CABINETS

- Front panel appliance opening is field-cut to size
- Reconfigure options available; see page 9.3
- Shipped with oven support shelf and angle brackets
- Additional supports may be required for heavier ovens; order Oven Support Shelf Bracket (page 17.13) and extra shelf (page 17.2)
- Weight should be considered in an application where either or both sides are unsupported

- Toe Base Platform, recessed on front and one side, is shipped unattached
- Be sure a heat shield is built into your appliance by its manufacturer or install the heat shield included with the appliance. Heat shields are sold separately as an accessory, see page 17.9
- **Thermofoil and Textured Melamine horizontal patterns and grains will run vertically on all Tall cabinets (except 3-door Tall Cabinet), end panels, and doors more than 46½" high**

- Standard Front Panel:  
 Melamine – 3/4"-thick Coordinated Melamine  
 Eurotek – 3/4"-thick Coordinated Melamine  
 Textured Melamine – 3/4"-thick Coordinated Melamine  
 Thermofoil – 3/4"-thick Profiled Matching Thermofoil  
 Wood – 3/4"-thick Wood Veneer  
 Metal– 3/4"-thick Coordinated Laminate  
 UltraLux – 3/4"-thick Matching UltraLux



- See next page for Maximum Oven Openings, Installed Profiled Oven Panels and Custom Panel Cut-outs
- One fixed upper shelf. 84" and 87" high have no additional shelves; 90", 93" and 96" high have one additional adjustable shelf; 99" and 102" high have two additional adjustable shelves

## Oven Cabinet with Four Drawers

Price Grade	1	2	3	4	5	6	7	8	9
OV274D84	2073	2283	2563	2895	3182	3504	3968	4364	4798
OV304D84	2283	2517	2822	3188	3510	3859	4369	4808	5286
OV334D84	2499	2747	3085	3486	3833	4217	4780	5252	5775
OV364D84	2747	3023	3393	3835	4215	4640	5257	5777	6350
OV274D87	2195	2419	2714	3070	3374	3713	4206	4626	5087
OV304D87	2418	2665	2991	3378	3718	4088	4630	5093	5601
OV334D87	2644	2909	3265	3688	4056	4465	5056	5558	6111
OV364D87	2907	3200	3592	4058	4460	4911	5561	6116	6724
OV274D90	2321	2556	2866	3245	3566	3925	4441	4887	5376
OV304D90	2554	2813	3160	3568	3926	4317	4891	5379	5916
OV334D90	2789	3069	3445	3893	4279	4711	5332	5865	6450
OV364D90	3068	3375	3790	4283	4707	5181	5865	6452	7096
OV274D93	2478	2727	3058	3460	3805	4188	4741	5215	5735
OV304D93	2733	3007	3374	3812	4195	4614	5226	5746	6318
OV334D93	2986	3285	3685	4168	4579	5041	5706	6277	6904
OV364D93	3284	3612	4054	4584	5038	5546	6278	6903	7595
OV274D96	2635	2897	3250	3678	4044	4450	5037	5543	6095
OV304D96	2910	3203	3589	4058	4463	4909	5559	6116	6724
OV334D96	3182	3500	3928	4441	4883	5373	6080	6688	7358
OV364D96	3500	3849	4320	4886	5372	5911	6689	7355	8093
OV274D99	2901	3174	3550	4004	4391	4819	5441	5979	6562
OV304D99	3196	3508	3911	4412	4839	5313	5999	6593	7238
OV334D99	3487	3825	4280	4822	5296	5812	6561	7207	7919
OV364D99	3826	4195	4694	5296	5813	6383	7208	7914	8699
OV274D102	3312	3611	4028	4531	4957	5429	6118	6715	7358
OV304D102	3642	3988	4428	4985	5457	5984	6740	7401	8113
OV334D102	3966	4340	4845	5444	5973	6543	7371	8085	8876
OV364D102	4342	4751	5303	5970	6546	7173	8087	8869	9740

continued on next page



# Tall Cabinets : Oven Cabinets

## FOR ALL TALL OVEN CABINETS

- Front panel appliance opening is field-cut to size
- Reconfigure options available; see page 9.3
- Shipped with oven support shelf and angle brackets
- Additional supports may be required for heavier ovens; order Oven Support Shelf Bracket (page 17.13) and extra shelf (page 17.2)
- Weight should be considered in an application where either or both sides are unsupported
- Toe Base Platform, recessed on front and one side, is shipped unattached
- Be sure a heat shield is built into your appliance by its manufacturer or install the heat shield included with the appliance. Heat shields are sold separately as an accessory, see page 17.9
- **Thermofoil and Textured Melamine horizontal patterns and grains will run vertically on all Tall cabinets (except 3-door Tall Cabinet), end panels, and doors more than 46 1/2" high**
- Standard Front Panel:  
Melamine – 3/4"-thick Coordinated Melamine  
Eurotek – 3/4"-thick Coordinated Melamine  
Textured Melamine – 3/4"-thick Coordinated Melamine  
Thermofoil – 3/4"-thick Profiled Matching Thermofoil  
Wood – 3/4"-thick Wood Veneer  
Metal– 3/4"-thick Coordinated Laminate  
UltraLux – 3/4"-thick Matching UltraLux

## Oven Cabinet with Four Drawers *continued from previous page*

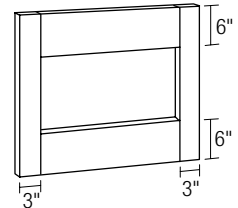
Maximum Oven Openings					Installed Profiled Oven Panels					
Cabinet	Panel Size	Maximum Cut-Out Size	Frame Opening Size		Textured Melamine	Standard Eurotek	Premium Thermofoil	Wood Premium	Wood Metal	UltraLux
OV274D84	26 7/8" w x 34 3/8" h	23 7/8" w x 31 3/8" h	20 7/8" w x 22 3/8" h	POVT27			945	1749	375	567
OV304D84	29 7/8" w x 34 3/8" h	26 7/8" w x 31 3/8" h	23 7/8" w x 22 3/8" h	POVT30			1051	1945	423	613
OV334D84	32 7/8" w x 34 3/8" h	29 7/8" w x 31 3/8" h	26 7/8" w x 22 3/8" h	POVT33			1161	2147	478	677
OV364D84	35 7/8" w x 34 3/8" h	32 7/8" w x 31 3/8" h	29 7/8" w x 22 3/8" h	POVT36			1276	2361	527	743
OV274D87	26 7/8" w x 34 3/8" h	23 7/8" w x 31 3/8" h	20 7/8" w x 22 3/8" h							
OV304D87	29 7/8" w x 34 3/8" h	26 7/8" w x 31 3/8" h	23 7/8" w x 22 3/8" h							
OV334D87	32 7/8" w x 34 3/8" h	29 7/8" w x 31 3/8" h	26 7/8" w x 22 3/8" h							
OV364D87	35 7/8" w x 34 3/8" h	32 7/8" w x 31 3/8" h	29 7/8" w x 22 3/8" h							
OV274D90	26 7/8" w x 34 3/8" h	23 7/8" w x 31 3/8" h	20 7/8" w x 22 3/8" h							
OV304D90	29 7/8" w x 34 3/8" h	26 7/8" w x 31 3/8" h	23 7/8" w x 22 3/8" h							
OV334D90	32 7/8" w x 34 3/8" h	29 7/8" w x 31 3/8" h	26 7/8" w x 22 3/8" h							
OV364D90	35 7/8" w x 34 3/8" h	32 7/8" w x 31 3/8" h	29 7/8" w x 22 3/8" h							
OV274D93	26 7/8" w x 34 3/8" h	23 7/8" w x 31 3/8" h	20 7/8" w x 22 3/8" h							
OV304D93	29 7/8" w x 34 3/8" h	26 7/8" w x 31 3/8" h	23 7/8" w x 22 3/8" h							
OV334D93	32 7/8" w x 34 3/8" h	29 7/8" w x 31 3/8" h	26 7/8" w x 22 3/8" h							
OV364D93	35 7/8" w x 34 3/8" h	32 7/8" w x 31 3/8" h	29 7/8" w x 22 3/8" h							
OV274D96	26 7/8" w x 34 3/8" h	23 7/8" w x 31 3/8" h	20 7/8" w x 22 3/8" h							
OV304D96	29 7/8" w x 34 3/8" h	26 7/8" w x 31 3/8" h	23 7/8" w x 22 3/8" h							
OV334D96	32 7/8" w x 34 3/8" h	29 7/8" w x 31 3/8" h	26 7/8" w x 22 3/8" h							
OV364D96	35 7/8" w x 34 3/8" h	32 7/8" w x 31 3/8" h	29 7/8" w x 22 3/8" h							
OV274D99	26 7/8" w x 34 3/8" h	23 7/8" w x 31 3/8" h	20 7/8" w x 22 3/8" h							
OV304D99	29 7/8" w x 34 3/8" h	26 7/8" w x 31 3/8" h	23 7/8" w x 22 3/8" h							
OV334D99	32 7/8" w x 34 3/8" h	29 7/8" w x 31 3/8" h	26 7/8" w x 22 3/8" h							
OV364D99	35 7/8" w x 34 3/8" h	32 7/8" w x 31 3/8" h	29 7/8" w x 22 3/8" h							
OV274D102	26 7/8" w x 34 3/8" h	23 7/8" w x 31 3/8" h	20 7/8" w x 22 3/8" h							
OV304D102	29 7/8" w x 34 3/8" h	26 7/8" w x 31 3/8" h	23 7/8" w x 22 3/8" h							
OV334D102	32 7/8" w x 34 3/8" h	29 7/8" w x 31 3/8" h	26 7/8" w x 22 3/8" h							
OV364D102	35 7/8" w x 34 3/8" h	32 7/8" w x 31 3/8" h	29 7/8" w x 22 3/8" h							

• 1 1/2" perimeter edge width after a maximum cutout

- Metal, Textured Melamine and Eurotek door styles are not available with Profiled Oven Panels

### Thermofoil door styles:

- Profiled Panels are slab-style with outer edge profiled to match the specified door style
- Thermofoil horizontal patterns and grains will run vertical on panels 46 1/2" high and greater



### UltraLux door styles:

- Coordinated UltraLux panel

### Wood door styles:

- Wood Premium available in Walnut
- Not available in Deluxe Veneers, Richmond II or Slab
- Panels for non-mitered door styles will have a matching edge profile
- Panels for mitered door styles will have the following edge profiles:

	CRYSTAL LAKE	MARSHALL	
	DENNISON	OAKLAND PARK	
AMHERST	FREEDOM	PERTH-AMBOY	CHARLOTTE
BROADVIEW	FRISCO	PLYMOUTH	MT. VERNON
BRUNSWICK	LAFAYETTE	SARASOTA	
GARNEGIE	LAKEWAY	WINCHESTER	
CHESAPEAKE	LIBERTY	YORK	
GORONA	LIVINGSTON		

## Custom Cut-out in a Standard Oven Panel

Panel	Price Per Panel
	Solid Wood Profiled Frame 325
	Wood Veneer, Eurotek and Deluxe Veneer
	Non-Profiled Panel Cut-out 130
	Thermofoil and UltraLux Panel Cut-out 130

Solid Wood Frame  
 Panel with Cut-outs

- Cost of the oven panel is included in the price of the cabinet; custom cut-outs are an upcharge
- OVFH can have up to three openings; specify on Custom Cut-Out Oven Panel Forms; see [OneTouch](#)

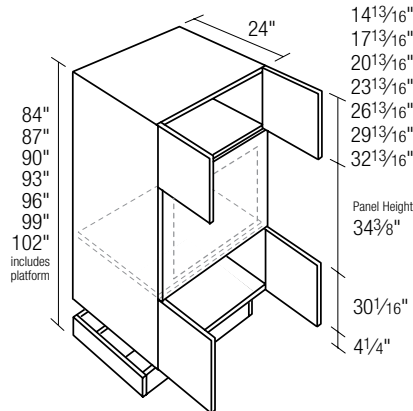
# Tall Cabinets : Oven Cabinets

## FOR ALL TALL OVEN CABINETS

- Front panel appliance opening is field-cut to size
- Reconfigure options available; see page 9.3
- Shipped with oven support shelf and angle brackets
- Additional supports may be required for heavier ovens; order Oven Support Shelf Bracket (page 17.13) and extra shelf (page 17.2)
- Weight should be considered in an application where either or both sides are unsupported

- Toe Base Platform, recessed on front and one side, is shipped unattached
- Be sure a heat shield is built into your appliance by its manufacturer or install the heat shield included with the appliance. Heat shields are sold separately as an accessory, see page 17.9
- **Thermofoil and Textured Melamine horizontal patterns and grains will run vertically on all Tall cabinets (except 3-door Tall Cabinet), end panels, and doors more than 46½" high**

- Standard Front Panel:  
 Melamine – 3/4"-thick Coordinated Melamine  
 Eurotek – 3/4"-thick Coordinated Melamine  
 Textured Melamine – 3/4"-thick Coordinated Melamine  
 Thermofoil – 3/4"-thick Profiled Matching Thermofoil  
 Wood – 3/4"-thick Wood Veneer  
 Metal– 3/4"-thick Coordinated Laminate  
 UltraLux – 3/4"-thick Matching UltraLux



- See next page for Maximum Oven Openings, Installed Profiled Oven Panels and Custom Panel Cut-outs
- One fixed upper shelf. 84" and 87" high have no additional shelves; 90", 93" and 96" high have one additional adjustable shelf; 99" and 102" high have two additional adjustable shelves

## Oven Cabinet with Four Doors

Price Grade	1	2	3	4	5	6	7	8	9
OV2784D	1246	1501	1686	1910	2100	2311	2614	2878	3167
OV3084D	1410	1710	1917	2167	2387	2627	2974	3269	3594
OV3384D	1586	1927	2158	2440	2686	2954	3342	3681	4049
OV3684D	1746	2119	2373	2684	2955	3248	3680	4048	4454
OV2787D	1316	1587	1779	2014	2214	2434	2758	3033	3338
OV3087D	1508	1826	2049	2314	2547	2802	3173	3488	3837
OV3387D	1694	2057	2307	2609	2869	3155	3573	3932	4325
OV3687D	1864	2263	2537	2869	3158	3470	3932	4324	4757
OV2790D	1387	1672	1873	2115	2328	2557	2898	3188	3509
OV3090D	1605	1941	2181	2460	2706	2978	3372	3707	4079
OV3390D	1803	2188	2457	2777	3052	3358	3803	4182	4601
OV3690D	1983	2406	2702	3055	3358	3693	4183	4600	5061
OV2793D	1556	1883	2110	2385	2626	2883	3266	3592	3952
OV3093D	1775	2153	2418	2729	3001	3302	3740	4114	4527
OV3393D	1941	2360	2649	2994	3293	3623	4103	4513	4964
OV3693D	2135	2595	2913	3295	3623	3985	4513	4963	5462
OV2796D	1727	2094	2347	2654	2922	3211	3633	3996	4398
OV3096D	1944	2364	2655	2999	3298	3627	4111	4520	4974
OV3396D	2080	2531	2841	3212	3534	3887	4403	4844	5330
OV3696D	2288	2786	3125	3534	3887	4275	4844	5327	5863
OV2799D	2005	2412	2691	3030	3325	3646	4109	4509	4952
OV3099D	2221	2684	2999	3377	3703	4060	4589	5034	5529
OV3399D	2327	2812	3139	3537	3882	4260	4812	5282	5803
OV3699D	2548	3083	3444	3880	4260	4676	5282	5800	6371
OV27102D	2383	2850	3169	3558	3894	4263	4791	5248	5753
OV30102D	2610	3138	3492	3923	4293	4696	5297	5800	6360
OV33102D	2691	3232	3594	4039	4424	4846	5461	5985	6565
OV36102D	2935	3534	3936	4420	4846	5309	5985	6562	7198

continued on next page

# Tall Cabinets : Oven Cabinets

## FOR ALL TALL OVEN CABINETS

- Front panel appliance opening is field-cut to size
- Reconfigure options available; see page 9.3
- Shipped with oven support shelf and angle brackets
- Additional supports may be required for heavier ovens; order Oven Support Shelf Bracket (page 17.13) and extra shelf (page 17.2)
- Weight should be considered in an application where either or both sides are unsupported
- Toe Base Platform, recessed on front and one side, is shipped unattached
- Be sure a heat shield is built into your appliance by its manufacturer or install the heat shield included with the appliance. Heat shields are sold separately as an accessory, see page 17.9
- **Thermofoil and Textured Melamine horizontal patterns and grains will run vertically on all Tall cabinets (except 3-door Tall Cabinet), end panels, and doors more than 46 1/2" high**
- Standard Front Panel:
  - Melamine – 3/4"-thick Coordinated Melamine
  - Eurotek – 3/4"-thick Coordinated Melamine
  - Textured Melamine – 3/4"-thick Coordinated Melamine
  - Thermofoil – 3/4"-thick Profiled Matching Thermofoil
  - Wood – 3/4"-thick Wood Veneer
  - Metal– 3/4"-thick Coordinated Laminate
  - UltraLux – 3/4"-thick Matching UltraLux

## Oven Cabinet with Four Doors *continued from previous page*

Maximum Oven Openings				Installed Profiled Oven Panels								
Cabinet	Panel Size	Maximum Cut-Out Size	Frame Opening Size	Melamine	Eurotek	Textured Melamine	Standard Thermofoil	Premium Thermofoil	Wood	Wood Premium	Metal	UltraLux
OV2784D	26 7/8" w x 34 3/8" h	23 7/8" w x 31 3/8" h	20 7/8" w x 22 3/8" h				945	1749	375	567		
OV3084D	29 7/8" w x 34 3/8" h	26 7/8" w x 31 3/8" h	23 7/8" w x 22 3/8" h				1051	1945	423	613		
OV3384D	32 7/8" w x 34 3/8" h	29 7/8" w x 31 3/8" h	26 7/8" w x 22 3/8" h				1161	2147	478	677		
OV3684D	35 7/8" w x 34 3/8" h	32 7/8" w x 31 3/8" h	29 7/8" w x 22 3/8" h				1276	2361	527	743		
OV2787D	26 7/8" w x 34 3/8" h	23 7/8" w x 31 3/8" h	20 7/8" w x 22 3/8" h									
OV3087D	29 7/8" w x 34 3/8" h	26 7/8" w x 31 3/8" h	23 7/8" w x 22 3/8" h									
OV3387D	32 7/8" w x 34 3/8" h	29 7/8" w x 31 3/8" h	26 7/8" w x 22 3/8" h									
OV3687D	35 7/8" w x 34 3/8" h	32 7/8" w x 31 3/8" h	29 7/8" w x 22 3/8" h									
OV2790D	26 7/8" w x 34 3/8" h	23 7/8" w x 31 3/8" h	20 7/8" w x 22 3/8" h									
OV3090D	29 7/8" w x 34 3/8" h	26 7/8" w x 31 3/8" h	23 7/8" w x 22 3/8" h									
OV3390D	32 7/8" w x 34 3/8" h	29 7/8" w x 31 3/8" h	26 7/8" w x 22 3/8" h									
OV3690D	35 7/8" w x 34 3/8" h	32 7/8" w x 31 3/8" h	29 7/8" w x 22 3/8" h									
OV2793D	26 7/8" w x 34 3/8" h	23 7/8" w x 31 3/8" h	20 7/8" w x 22 3/8" h									
OV3093D	29 7/8" w x 34 3/8" h	26 7/8" w x 31 3/8" h	23 7/8" w x 22 3/8" h									
OV3393D	32 7/8" w x 34 3/8" h	29 7/8" w x 31 3/8" h	26 7/8" w x 22 3/8" h									
OV3693D	35 7/8" w x 34 3/8" h	32 7/8" w x 31 3/8" h	29 7/8" w x 22 3/8" h									
OV2796D	26 7/8" w x 34 3/8" h	23 7/8" w x 31 3/8" h	20 7/8" w x 22 3/8" h									
OV3096D	29 7/8" w x 34 3/8" h	26 7/8" w x 31 3/8" h	23 7/8" w x 22 3/8" h									
OV3396D	32 7/8" w x 34 3/8" h	29 7/8" w x 31 3/8" h	26 7/8" w x 22 3/8" h									
OV3696D	35 7/8" w x 34 3/8" h	32 7/8" w x 31 3/8" h	29 7/8" w x 22 3/8" h									
OV2799D	26 7/8" w x 34 3/8" h	23 7/8" w x 31 3/8" h	20 7/8" w x 22 3/8" h									
OV3099D	29 7/8" w x 34 3/8" h	26 7/8" w x 31 3/8" h	23 7/8" w x 22 3/8" h									
OV3399D	32 7/8" w x 34 3/8" h	29 7/8" w x 31 3/8" h	26 7/8" w x 22 3/8" h									
OV3699D	35 7/8" w x 34 3/8" h	32 7/8" w x 31 3/8" h	29 7/8" w x 22 3/8" h									
OV27102D	26 7/8" w x 34 3/8" h	23 7/8" w x 31 3/8" h	20 7/8" w x 22 3/8" h									
OV30102D	29 7/8" w x 34 3/8" h	26 7/8" w x 31 3/8" h	23 7/8" w x 22 3/8" h									
OV33102D	32 7/8" w x 34 3/8" h	29 7/8" w x 31 3/8" h	26 7/8" w x 22 3/8" h									
OV36102D	35 7/8" w x 34 3/8" h	32 7/8" w x 31 3/8" h	29 7/8" w x 22 3/8" h									

• 1/2" perimeter edge width after a maximum cutout

- Metal, Textured Melamine and Eurotek door styles are not available with Profiled Oven Panels

### Thermofoil door styles:

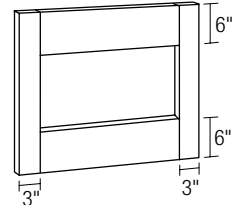
- Profiled Panels are slab-style with outer edge profiled to match the specified door style
- Thermofoil horizontal patterns and grains will run vertical on panels 46 1/2" high and greater

### UltraLux door styles:

- Coordinated UltraLux panel

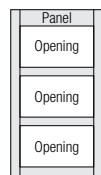

### Wood door styles:

- Wood Premium available in Walnut
- Not available in Deluxe Veneers, Richmond II or Slab
- Panels for non-mitered door styles will have a matching edge profile
- Panels for mitered door styles will have the following edge profiles:



	CRYSTAL LAKE DENNISON	MARSHALL OAKLAND PARK		CHARLOTTE MT. VERNON
AMHERST	FREEDOM	PERTH-AMBOY		
BROADVIEW	FRISCO	PLYMOUTH		
BRUNSWICK	LAFAYETTE	SARASOTA		
GARNEGIE	LAKEWAY	WINCHESTER		
CHESAPEAKE	LIBERTY	YORK		
GORONA	LIVINGSTON			

## Custom Cut-out in a Standard Oven Panel

Panel	Price Per Panel
	Solid Wood Profiled Frame 325
	Wood Veneer, Eurotek and Deluxe Veneer
	Non-Profiled Panel Cut-out 130
	Thermofoil and UltraLux Panel Cut-out 130

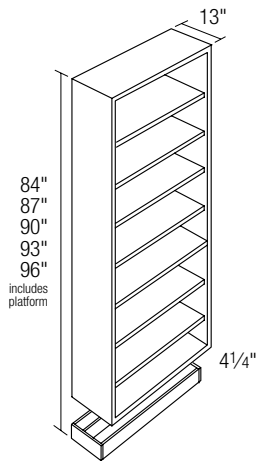
• Cost of the oven panel is included in the price of the cabinet; custom cut-outs are an upcharge

• OVFH can have up to three openings; specify on Custom Cut-Out Oven Panel Forms; see [OneTouch](#)

# Tall Cabinets : Bookcases

## FOR ALL TALL BOOKCASES

- 84", 87" and 90" high have six adjustable shelves and one fixed shelf at 34" high
- 93" and 96" high have seven adjustable shelves and one fixed shelf at 34" high
- 99" and 102" high has six adjustable shelves, a fixed shelf at 34" high and a fixed shelf in the middle of the upper section
- Adjustable shelves are not flush with the front of the cabinet; see page 1.7
- Finished Ends and Finished Interior standard
- Toe Base Platform, recessed on front and one side, is shipped unattached
- **CAUTION:** Adjustable shelves require additional support for heavy loads
- Weight should be considered in an application where either or both sides are unsupported
- For other size Bookcase cabinets, call Customer Service



- Shelves are 3/4" thick
- **Thermofoil and Textured Melamine horizontal patterns and grains will run vertically on all Tall cabinets (except 3-door Tall Cabinet), end panels, and doors more than 46 1/2" high**

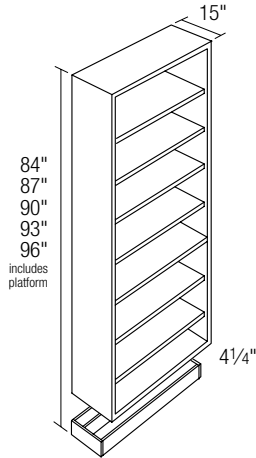
## Tall Bookcase

	Melamine	Eurotek	Textured Melamine	Standard Thermofoil	Premium Thermofoil	Wood	Metal	UltraLux
<b>13" Deep</b>								
BK2484	882	882	882	882	2179		2179	2179
BK2784	971	971	971	971	2398		2398	2398
BK3084	1068	1068	1068	1068	2636		2636	2636
BK3384	1173	1173	1173	1173	2898		2898	2898
BK3684	1291	1291	1291	1291	3189		3189	3189
BK2487	916	916	916	916	2218		2218	2218
BK2787	1009	1009	1009	1009	2443		2443	2443
BK3087	1109	1109	1109	1109	2686		2686	2686
BK3387	1220	1220	1220	1220	2954		2954	2954
BK3687	1341	1341	1341	1341	3249		3249	3249
BK2490	950	950	950	950	2259		2259	2259
BK2790	1046	1046	1046	1046	2487		2487	2487
BK3090	1150	1150	1150	1150	2735		2735	2735
BK3390	1266	1266	1266	1266	3010		3010	3010
BK3690	1392	1392	1392	1392	3310		3310	3310
BK2493	985	985	985	985	2303		2303	2303
BK2793	1083	1083	1083	1083	2532		2532	2532
BK3093	1193	1193	1193	1193	2787		2787	2787
BK3393	1310	1310	1310	1310	3066		3066	3066
BK3693	1441	1441	1441	1441	3373		3373	3373
BK2496	1018	1018	1018	1018	2346		2346	2346
BK2796	1122	1122	1122	1122	2578		2578	2578
BK3096	1234	1234	1234	1234	2834		2834	2834
BK3396	1358	1358	1358	1358	3120		3120	3120
BK3696	1493	1493	1493	1493	3433		3433	3433

# Tall Cabinets : Bookcases

**FOR ALL TALL BOOKCASES**

- 84", 87" and 90" high has six adjustable shelves and one fixed shelf at 34" high
- 93" and 96" high has seven adjustable shelves and one fixed shelf at 34" high
- 99" and 102" high has six adjustable shelves, a fixed shelf at 34" high and a fixed shelf in the middle of the upper section
- Adjustable shelves are not flush with the front of the cabinet; see page 1.7
- Finished Ends and Finished Interior standard
- Toe Base Platform, recessed on front and one side, is shipped unattached
- **CAUTION:** Adjustable shelves require additional support for heavy loads
- Weight should be considered in an application where either or both sides are unsupported
- For other size Bookcase cabinets, call Customer Service



- Shelves are 3/4" thick
- **Thermofoil and Textured Melamine horizontal patterns and grains will run vertically on all Tall cabinets (except 3-door Tall Cabinet), end panels, and doors more than 46 1/2" high**

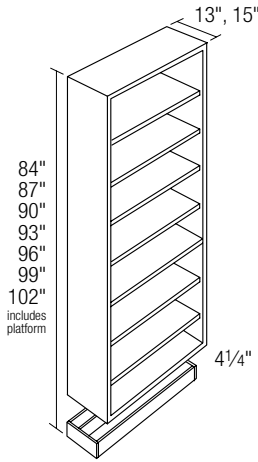
## Tall Bookcase

	Melamine	Eurotek	Textured Melamine	Standard Thermofoil	Premium Thermofoil	Wood	Metal	UltraLux
<b>15" Deep</b>								
BK2484-15	1083	1083	1083	1083	2481		2481	2481
BK2784-15	1171	1171	1171	1171	2700		2700	2700
BK3084-15	1270	1270	1270	1270	2939		2939	2939
BK3384-15	1375	1375	1375	1375	3201		3201	3201
BK3684-15	1493	1493	1493	1493	3491		3491	3491
BK2487-15	1117	1117	1117	1117	2522		2522	2522
BK2787-15	1208	1208	1208	1208	2745		2745	2745
BK3087-15	1310	1310	1310	1310	2988		2988	2988
BK3387-15	1420	1420	1420	1420	3256		3256	3256
BK3687-15	1544	1544	1544	1544	3551		3551	3551
BK2490-15	1152	1152	1152	1152	2563		2563	2563
BK2790-15	1246	1246	1246	1246	2790		2790	2790
BK3090-15	1352	1352	1352	1352	3037		3037	3037
BK3390-15	1466	1466	1466	1466	3311		3311	3311
BK3690-15	1595	1595	1595	1595	3612		3612	3612
BK2493-15	1185	1185	1185	1185	2607		2607	2607
BK2793-15	1284	1284	1284	1284	2834		2834	2834
BK3093-15	1393	1393	1393	1393	3089		3089	3089
BK3393-15	1513	1513	1513	1513	3369		3369	3369
BK3693-15	1644	1644	1644	1644	3674		3674	3674
BK2496-15	1219	1219	1219	1219	2649		2649	2649
BK2796-15	1322	1322	1322	1322	2880		2880	2880
BK3096-15	1434	1434	1434	1434	3138		3138	3138
BK3396-15	1558	1558	1558	1558	3422		3422	3422
BK3696-15	1694	1694	1694	1694	3738		3738	3738

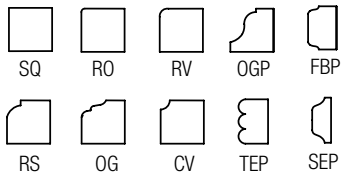
# Tall Cabinets : Bookcases

**FOR ALL TALL BOOKCASES**

- 84", 87" and 90" high has six adjustable shelves and one fixed shelf at 34" high
- 93" and 96" high has seven adjustable shelves and one fixed shelf at 34" high
- 99" and 102" high has six adjustable shelves, a fixed shelf at 34" high and a fixed shelf in the middle of the upper section
- Adjustable shelves are not flush with the front of the cabinet; see page 1.7
- Finished Ends and Finished Interior standard
- Toe Base Platform, recessed on front and one side, is shipped unattached
- **CAUTION:** Adjustable shelves require additional support for heavy loads
- Weight should be considered in an application where either or both sides are unsupported
- For other size Bookcase cabinets, call Customer Service



- 3/4"-thick shelves standard
- Wood Premium available in Walnut
- Upgrade to optional applied shelf edging; add 20%



- Shelf edging not available in Deluxe Veneers
- TEP not available in Red Birch or Alder
- OGP, FBP, TEP, SEP not available in Walnut

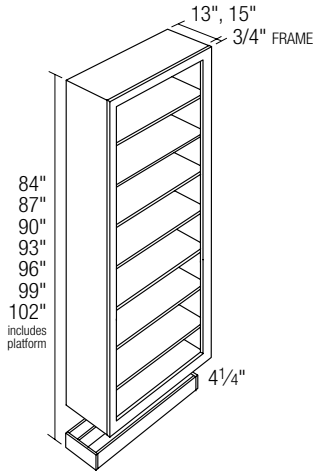
## Tall Bookcase

	Wood	Wood Premium		Wood	Wood Premium
<b>13" Deep</b>			<b>15" Deep</b>		
VBK2484	2052	2169	VBK2484-15	2254	2383
VBK2784	2257	2386	VBK2784-15	2457	2597
VBK3084	2481	2623	VBK3084-15	2684	2837
VBK3384	2730	2886	VBK3384-15	2930	3097
VBK3684	3005	3177	VBK3684-15	3205	3388
VBK2487	2097	2217	VBK2487-15	2298	2429
VBK2787	2305	2437	VBK2787-15	2506	2649
VBK3087	2535	2680	VBK3087-15	2737	2893
VBK3387	2789	2948	VBK3387-15	2988	3159
VBK3687	3068	3243	VBK3687-15	3270	3457
VBK2490	2140	2262	VBK2490-15	2342	2476
VBK2790	2352	2486	VBK2790-15	2555	2701
VBK3090	2589	2737	VBK3090-15	2790	2949
VBK3390	2847	3010	VBK3390-15	3046	3220
VBK3690	3133	3312	VBK3690-15	3333	3523
VBK2493	2183	2308	VBK2493-15	2385	2521
VBK2793	2402	2539	VBK2793-15	2602	2751
VBK3093	2640	2791	VBK3093-15	2845	3008
VBK3393	2906	3072	VBK3393-15	3108	3286
VBK3693	3196	3379	VBK3693-15	3398	3592
VBK2496	2228	2355	VBK2496-15	2429	2568
VBK2796	2448	2588	VBK2796-15	2653	2805
VBK3096	2694	2848	VBK3096-15	2896	3061
VBK3396	2966	3135	VBK3396-15	3167	3348
VBK3696	3261	3447	VBK3696-15	3463	3661
VBK2499	2383	2519	VBK2499-15	2595	2743
VBK2799	2616	2765	VBK2799-15	2836	2998
VBK3099	2883	3048	VBK3099-15	3091	3268
VBK3399	3175	3356	VBK3399-15	3384	3577
VBK3699	3490	3689	VBK3699-15	3702	3914
VBK24102	2659	2811	VBK24102-15	2892	3057
VBK27102	2914	3081	VBK27102-15	3162	3343
VBK30102	3216	3400	VBK30102-15	3441	3638
VBK33102	3542	3744	VBK33102-15	3772	3988
VBK36102	3893	4115	VBK36102-15	4125	4361

# Tall Cabinets : Bookcases

## FOR ALL TALL BOOKCASES

- 84", 87" and 90" high has six adjustable shelves and one fixed shelf at 34" high
- 93" and 96" high has seven adjustable shelves and one fixed shelf at 34" high
- 99" and 102" high has six adjustable shelves, a fixed shelf at 34" high and a fixed shelf in the middle of the upper section
- Adjustable shelves are not flush with the front of the cabinet; see page 1.7
- Finished Ends and Finished Interior standard
- Toe Base Platform, recessed on front and one side, is shipped unattached
- **CAUTION:** Adjustable shelves require additional support for heavy loads
- Weight should be considered in an application where either or both sides are unsupported
- For other size Bookcase cabinets, call Customer Service



- 3/4"-thick shelves standard
- Profiled outside edge is optional
- VF Frame option not available on cabinets less than 30" wide
- Wood Premium available in Walnut

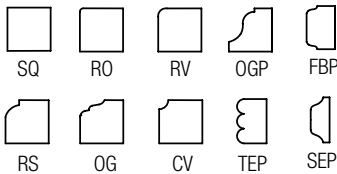
### HOW TO ORDER

#### 1. Choose a Frame

- Outside edge of solid wood frame will match door profile
- Bamboo is only available with Standard frame
- Standard:** 1 1/2" wide stiles and rails
- 3F:** 3" wide stiles with 1 1/2" wide rails
- 3FF:** 3" wide fluted stiles with 1 1/2" wide rails
- VF:** top valance with 2" wide stiles and 1 1/2" wide rails; add 10%

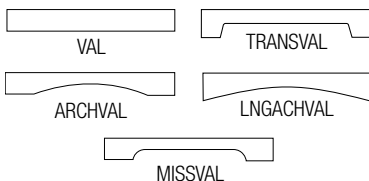
#### 2. Upgrade to optional applied shelf edging; add 20%

- Shelf edging not available in Bamboo
- TEP not available in Red Birch or Alder
- OGP, FBP, TEP, SEP not available in Walnut



#### 3. Choose a valance style, if applicable

- 6" high, except VAL = 4 1/4" high
- Radius cannot be modified
- Feet are a fixed dimension; cannot be modified
- Available in Oak, Maple, Cherry, Red Birch and Alder; not available in Bamboo
- Minimum width for valances is 24"; except VAL minimum width is 18"



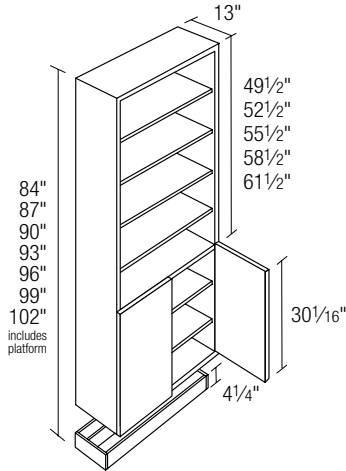
## Tall Bookcase with Frame

	Wood	Wood Premium		Wood	Wood Premium
<b>13" Deep</b>			<b>15" Deep</b>		
VFBK2484	2369	2504	VFBK2484-15	2481	2623
VFBK2784	2598	2746	VFBK2784-15	2800	2960
VFBK3084	2856	3019	VFBK3084-15	3057	3232
VFBK3384	3136	3315	VFBK3384-15	3338	3529
VFBK3684	3448	3645	VFBK3684-15	3649	3858
VFBK2487	2418	2556	VFBK2487-15	2576	2723
VFBK2787	2653	2805	VFBK2787-15	2856	3019
VFBK3087	2915	3082	VFBK3087-15	3118	3296
VFBK3387	3202	3385	VFBK3387-15	3404	3599
VFBK3687	3520	3721	VFBK3687-15	3723	3936
VFBK2490	2467	2608	VFBK2490-15	2669	2822
VFBK2790	2708	2863	VFBK2790-15	2911	3077
VFBK3090	2975	3145	VFBK3090-15	3178	3360
VFBK3390	3268	3455	VFBK3390-15	3470	3668
VFBK3690	3593	3798	VFBK3690-15	3797	4014
VFBK2493	2517	2661	VFBK2493-15	2719	2874
VFBK2793	2765	2923	VFBK2793-15	2967	3137
VFBK3093	3037	3211	VFBK3093-15	3240	3425
VFBK3393	3336	3527	VFBK3393-15	3539	3741
VFBK3693	3667	3877	VFBK3693-15	3870	4091
VFBK2496	2566	2713	VFBK2496-15	2768	2926
VFBK2796	2821	2982	VFBK2796-15	3021	3194
VFBK3096	3098	3275	VFBK3096-15	3299	3488
VFBK3396	3402	3596	VFBK3396-15	3605	3811
VFBK3696	3740	3954	VFBK3696-15	3941	4166
VFBK2499	2743	2900	VFBK2499-15	2955	3124
VFBK2799	3018	3190	VFBK2799-15	3226	3410
VFBK3099	3314	3503	VFBK3099-15	3523	3724
VFBK3399	3638	3846	VFBK3399-15	3853	4073
VFBK3699	4001	4230	VFBK3699-15	4209	4450
VFBK24102	3058	3233	VFBK24102-15	3291	3479
VFBK27102	3366	3558	VFBK27102-15	3593	3798
VFBK30102	3697	3908	VFBK30102-15	3923	4147
VFBK33102	4054	4286	VFBK33102-15	4291	4536
VFBK36102	4463	4718	VFBK36102-15	4687	4955

# Tall Cabinets : Furniture Bookcases

**FOR ALL TALL BOOKCASES**

- 84", 87" and 90" high has six adjustable shelves and one fixed shelf at 34" high
- 93" and 96" high has seven adjustable shelves and one fixed shelf at 34" high
- 99" and 102" high has six adjustable shelves, a fixed shelf at 34" high and a fixed shelf in the middle of the upper section
- Adjustable shelves are not flush with the front of the cabinet; see page 1.7
- Finished Ends and Finished Interior standard
- Toe Base Platform, recessed on front and one side, is shipped unattached
- **CAUTION:** Adjustable shelves require additional support for heavy loads
- Weight should be considered in an application where either or both sides are unsupported
- For other size Bookcase cabinets, call Customer Service



- Shelves are 3/4" thick
- **Thermofoil and Textured Melamine horizontal patterns and grains will run vertically on all Tall cabinets (except 3-door Tall Cabinet), end panels, and doors more than 46 1/2" high**

**Tall Furniture Bookcase – Melamine, Eurotek, Thermofoil, UltraLux, Metal**

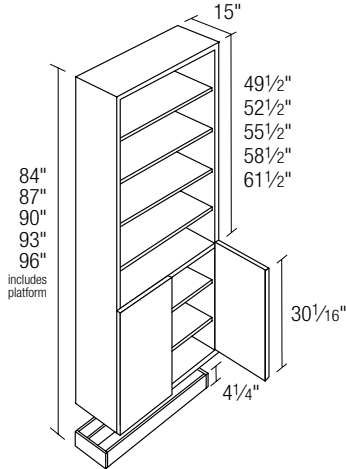
Price Grade	1	2	3	4	5	6	7	8	9
<b>13" Deep</b>									
TFBK2484	1278	1290	1677	1998	2095	2193	2454	2720	2983
TFBK2784	1320	1335	1727	2056	2159	2262	2535	2806	3078
TFBK3084	1352	1373	1774	2104	2213	2320	2606	2886	3172
TFBK3384	1371	1393	1797	2130	2242	2354	2642	2927	3215
TFBK3684	1406	1430	1842	2178	2295	2415	2709	3006	3299
TFBK2487	1296	1305	1697	2020	2119	2214	2497	2780	3065
TFBK2787	1336	1350	1748	2078	2180	2285	2577	2868	3161
TFBK3087	1368	1387	1792	2128	2236	2344	2647	2950	3250
TFBK3387	1389	1410	1817	2152	2265	2378	2684	2989	3295
TFBK3687	1422	1445	1860	2200	2319	2435	2749	3066	3380
TFBK2490	1312	1322	1716	2043	2140	2236	2539	2843	3146
TFBK2790	1355	1364	1768	2100	2202	2307	2618	2929	3242
TFBK3090	1386	1401	1811	2151	2258	2368	2688	3010	3331
TFBK3390	1408	1427	1836	2175	2288	2402	2725	3051	3375
TFBK3690	1438	1461	1877	2223	2342	2457	2792	3125	3460
TFBK2493	1332	1337	1735	2064	2161	2259	2581	2903	3226
TFBK2793	1371	1380	1787	2122	2224	2327	2658	2991	3322
TFBK3093	1403	1418	1832	2170	2280	2387	2730	3071	3412
TFBK3393	1423	1439	1856	2195	2310	2421	2767	3111	3456
TFBK3693	1456	1476	1899	2244	2363	2480	2832	3188	3542
TFBK2496	1351	1353	1754	2088	2185	2281	2625	2963	3305
TFBK2796	1389	1395	1807	2143	2247	2349	2700	3052	3401
TFBK3096	1419	1433	1850	2194	2302	2409	2770	3133	3492
TFBK3396	1439	1457	1874	2218	2333	2444	2808	3173	3537
TFBK3696	1473	1493	1917	2266	2385	2502	2877	3248	3622



# Tall Cabinets : Furniture Bookcases

**FOR ALL TALL BOOKCASES**

- 84", 87" and 90" high has six adjustable shelves and one fixed shelf at 34" high
- 93" and 96" high has seven adjustable shelves and one fixed shelf at 34" high
- 99" and 102" high has six adjustable shelves, a fixed shelf at 34" high and a fixed shelf in the middle of the upper section
- Adjustable shelves are not flush with the front of the cabinet; see page 1.7
- Finished Ends and Finished Interior standard
- Toe Base Platform, recessed on front and one side, is shipped unattached
- **CAUTION:** Adjustable shelves require additional support for heavy loads
- Weight should be considered in an application where either or both sides are unsupported
- For other size Bookcase cabinets, call Customer Service



- Shelves are 3/4" thick
- Thermofoil and Textured Melamine horizontal patterns and grains will run vertically on all Tall cabinets (except 3-door Tall Cabinet), end panels, and doors more than 46 1/2" high

## Tall Furniture Bookcase – Melamine, Eurotek, Thermofoil, UltraLux, Metal

Price Grade      1      2      3      4      5      6      7      8      9

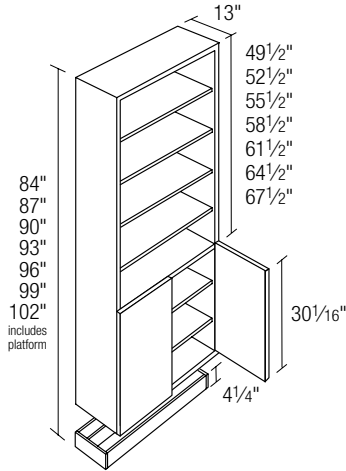
### 15" Deep

TFBK2484-15	1357	1492	1882	2199	2295	2395	2657	2923	3185
TFBK2784-15	1395	1536	1933	2258	2361	2463	2738	3009	3279
TFBK3084-15	1431	1575	1976	2307	2415	2523	2806	3089	3373
TFBK3384-15	1449	1596	2001	2332	2444	2557	2846	3129	3415
TFBK3684-15	1485	1632	2047	2379	2498	2617	2911	3206	3500
TFBK2487-15	1373	1508	1902	2222	2319	2417	2700	2982	3267
TFBK2787-15	1410	1550	1953	2281	2382	2485	2778	3070	3360
TFBK3087-15	1444	1589	1998	2328	2437	2547	2848	3150	3453
TFBK3387-15	1465	1610	2022	2353	2467	2580	2885	3191	3496
TFBK3687-15	1498	1646	2066	2401	2521	2638	2953	3267	3580
TFBK2490-15	1387	1524	1922	2244	2342	2439	2741	3041	3350
TFBK2790-15	1423	1566	1972	2302	2404	2507	2820	3132	3443
TFBK3090-15	1458	1604	2019	2351	2460	2568	2889	3212	3533
TFBK3390-15	1482	1628	2043	2376	2490	2602	2926	3253	3577
TFBK3690-15	1512	1661	2083	2423	2542	2659	2993	3327	3660
TFBK2493-15	1400	1541	1941	2266	2364	2461	2785	3105	3429
TFBK2793-15	1437	1581	1994	2323	2427	2530	2859	3192	3522
TFBK3093-15	1470	1618	2036	2375	2481	2590	2930	3274	3612
TFBK3393-15	1493	1643	2060	2399	2511	2626	2968	3314	3657
TFBK3693-15	1525	1678	2104	2446	2564	2683	3036	3389	3741
TFBK2496-15	1414	1555	1962	2290	2386	2481	2824	3166	3510
TFBK2796-15	1451	1598	2012	2345	2447	2552	2900	3254	3603
TFBK3096-15	1487	1636	2056	2398	2502	2610	2973	3333	3693
TFBK3396-15	1508	1658	2081	2418	2534	2645	3010	3374	3737
TFBK3696-15	1542	1694	2123	2469	2587	2706	3076	3451	3825

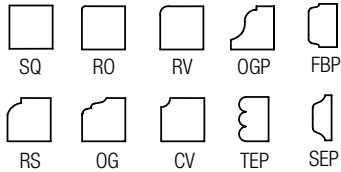
# Tall Cabinets : Furniture Bookcases

**FOR ALL TALL BOOKCASES**

- 84", 87" and 90" high has six adjustable shelves and one fixed shelf at 34" high
- 93" and 96" high has seven adjustable shelves and one fixed shelf at 34" high
- 99" and 102" high has six adjustable shelves, a fixed shelf at 34" high and a fixed shelf in the middle of the upper section
- Adjustable shelves are not flush with the front of the cabinet; see page 1.7
- Finished Ends and Finished Interior standard
- Toe Base Platform, recessed on front and one side, is shipped unattached
- **CAUTION:** Adjustable shelves require additional support for heavy loads
- Weight should be considered in an application where either or both sides are unsupported
- For other size Bookcase cabinets, call Customer Service



- 3/4"-thick shelves standard
- Upgrade to optional applied shelf edging; add 20%



- Shelf edging not available in Deluxe Veneers
- TEP not available in Red Birch or Alder
- OGP, FBP, TEP, SEP not available in Walnut

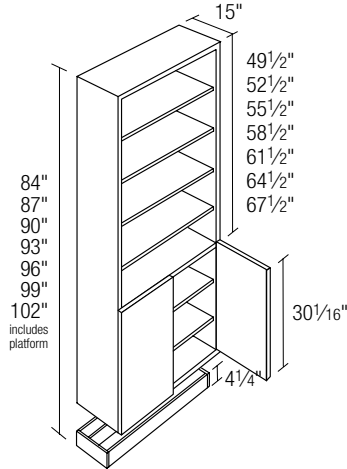
## Tall Furniture Bookcase – Wood

Price Grade	1	2	3	4	5	6	7	8	9
<b>13" Deep</b>									
VTFBK2484		1290	1677	1998	2095	2193	2454	2720	2983
VTFBK2784		1335	1727	2056	2159	2262	2535	2806	3078
VTFBK3084		1373	1774	2104	2213	2320	2606	2886	3172
VTFBK3384		1393	1797	2130	2242	2354	2642	2927	3215
VTFBK3684		1430	1842	2178	2295	2415	2709	3006	3299
VTFBK2487		1305	1697	2020	2119	2214	2497	2780	3065
VTFBK2787		1350	1748	2078	2180	2285	2577	2868	3161
VTFBK3087		1387	1792	2128	2236	2344	2647	2950	3250
VTFBK3387		1410	1817	2152	2265	2378	2684	2989	3295
VTFBK3687		1445	1860	2200	2319	2435	2749	3066	3380
VTFBK2490		1322	1716	2043	2140	2236	2539	2843	3146
VTFBK2790		1364	1768	2100	2202	2307	2618	2929	3242
VTFBK3090		1401	1811	2151	2258	2368	2688	3010	3331
VTFBK3390		1427	1836	2175	2288	2402	2725	3051	3375
VTFBK3690		1461	1877	2223	2342	2457	2792	3125	3460
VTFBK2493		1337	1735	2064	2161	2259	2581	2903	3226
VTFBK2793		1380	1787	2122	2224	2327	2658	2991	3322
VTFBK3093		1418	1832	2170	2280	2387	2730	3071	3412
VTFBK3393		1439	1856	2195	2310	2421	2767	3111	3456
VTFBK3693		1476	1899	2244	2363	2480	2832	3188	3542
VTFBK2496		1353	1754	2088	2185	2281	2625	2963	3305
VTFBK2796		1395	1807	2143	2247	2349	2700	3052	3401
VTFBK3096		1433	1850	2194	2302	2409	2770	3133	3492
VTFBK3396		1457	1874	2218	2333	2444	2808	3173	3537
VTFBK3696		1493	1917	2266	2385	2502	2877	3248	3622
VTFBK2499		1436	1860	2217	2318	2417	2799	3172	3549
VTFBK2799		1481	1917	2272	2382	2488	2878	3265	3650
VTFBK3099		1519	1962	2328	2441	2553	2948	3351	3747
VTFBK3399		1547	1987	2352	2472	2589	2990	3394	3794
VTFBK3699		1584	2030	2401	2526	2648	3065	3470	3883
VTFBK24102		1591	2059	2456	2567	2673	3114	3539	3971
VTFBK27102		1641	2123	2515	2637	2752	3199	3641	4081
VTFBK30102		1681	2172	2578	2700	2824	3273	3736	4188
VTFBK33102		1715	2199	2604	2735	2863	3322	3785	4242
VTFBK36102		1755	2245	2657	2793	2928	3407	3867	4338

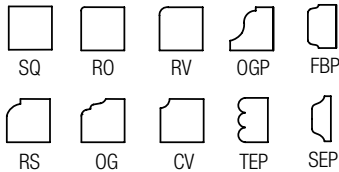
# Tall Cabinets : Furniture Bookcases

## FOR ALL TALL BOOKCASES

- 84", 87" and 90" high has six adjustable shelves and one fixed shelf at 34" high
- 93" and 96" high has seven adjustable shelves and one fixed shelf at 34" high
- 99" and 102" high has six adjustable shelves, a fixed shelf at 34" high and a fixed shelf in the middle of the upper section
- Adjustable shelves are not flush with the front of the cabinet; see page 1.7
- Finished Ends and Finished Interior standard
- Toe Base Platform, recessed on front and one side, is shipped unattached
- **CAUTION:** Adjustable shelves require additional support for heavy loads
- Weight should be considered in an application where either or both sides are unsupported
- For other size Bookcase cabinets, call Customer Service



- 3/4"-thick shelves standard
- Upgrade to optional applied shelf edging; add 20%



- Shelf edging not available in Deluxe Veneers
- TEP not available in Red Birch or Alder
- OGP, FBP, TEP, SEP not available in Walnut

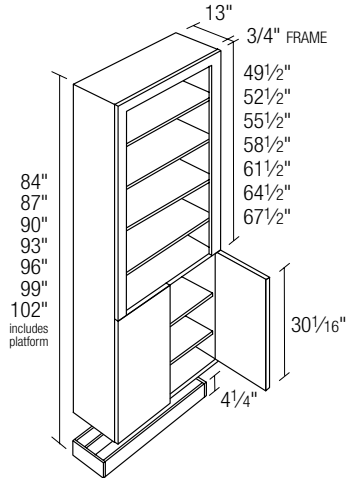
## Tall Furniture Bookcase – Wood

Price Grade	1	2	3	4	5	6	7	8	9
<b>15" Deep</b>									
VTFBK2484-15	1492	1882	2199	2295	2395	2657	2923	3185	
VTFBK2784-15	1536	1933	2258	2361	2463	2738	3009	3279	
VTFBK3084-15	1575	1976	2307	2415	2523	2806	3089	3373	
VTFBK3384-15	1596	2001	2332	2444	2557	2846	3129	3415	
VTFBK3684-15	1632	2047	2379	2498	2617	2911	3206	3500	
VTFBK2487-15	1508	1902	2222	2319	2417	2700	2982	3267	
VTFBK2787-15	1550	1953	2281	2382	2485	2778	3070	3360	
VTFBK3087-15	1589	1998	2328	2437	2547	2848	3150	3453	
VTFBK3387-15	1610	2022	2353	2467	2580	2885	3191	3496	
VTFBK3687-15	1646	2066	2401	2521	2638	2953	3267	3580	
VTFBK2490-15	1524	1922	2244	2342	2439	2741	3041	3350	
VTFBK2790-15	1566	1972	2302	2404	2507	2820	3132	3443	
VTFBK3090-15	1604	2019	2351	2460	2568	2889	3212	3533	
VTFBK3390-15	1628	2043	2376	2490	2602	2926	3253	3577	
VTFBK3690-15	1661	2083	2423	2542	2659	2993	3327	3660	
VTFBK2493-15	1541	1941	2266	2364	2461	2785	3105	3429	
VTFBK2793-15	1581	1994	2323	2427	2530	2859	3192	3522	
VTFBK3093-15	1618	2036	2375	2481	2590	2930	3274	3612	
VTFBK3393-15	1643	2060	2399	2511	2626	2968	3314	3657	
VTFBK3693-15	1678	2104	2446	2564	2683	3036	3389	3741	
VTFBK2496-15	1555	1962	2290	2386	2481	2824	3166	3510	
VTFBK2796-15	1598	2012	2345	2447	2552	2900	3254	3603	
VTFBK3096-15	1636	2056	2398	2502	2610	2973	3333	3693	
VTFBK3396-15	1658	2081	2418	2534	2645	3010	3374	3737	
VTFBK3696-15	1694	2123	2469	2587	2706	3076	3451	3825	
VTFBK2499-15	1648	2080	2428	2527	2625	3005	3385	3766	
VTFBK2799-15	1695	2130	2484	2589	2701	3086	3480	3864	
VTFBK3099-15	1737	2179	2540	2647	2761	3164	3559	3959	
VTFBK3399-15	1757	2206	2557	2684	2797	3202	3601	4004	
VTFBK3699-15	1793	2247	2615	2739	2863	3271	3684	4099	
VTFBK24102-15	1822	2303	2688	2794	2900	3335	3775	4211	
VTFBK27102-15	1875	2354	2747	2860	2986	3426	3879	4319	
VTFBK30102-15	1924	2410	2810	2926	3048	3513	3963	4422	
VTFBK33102-15	1943	2441	2825	2967	3089	3554	4010	4471	
VTFBK36102-15	1983	2484	2892	3029	3165	3629	4102	4578	

# Tall Cabinets : Furniture Bookcases

## FOR ALL TALL BOOKCASES

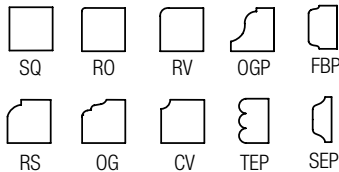
- 84", 87" and 90" high has six adjustable shelves and one fixed shelf at 34" high
- 93" and 96" high has seven adjustable shelves and one fixed shelf at 34" high
- 99" and 102" high has six adjustable shelves, a fixed shelf at 34" high and a fixed shelf in the middle of the upper section
- Adjustable shelves are not flush with the front of the cabinet; see page 1.7
- Finished Ends and Finished Interior standard
- Toe Base Platform, recessed on front and one side, is shipped unattached
- **CAUTION:** Adjustable shelves require additional support for heavy loads
- Weight should be considered in an application where either or both sides are unsupported
- For other size Bookcase cabinets, call Customer Service



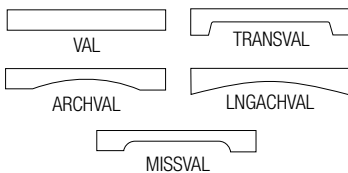
- 3/4"-thick shelves standard
- Profiled outside edge is optional
- Fixed shelf will not have profile
- Door height matches base cabinet Full-height Door
- Available in Wood and Bamboo only
- VF Frame option not available on cabinets less than 30" wide

## HOW TO ORDER

- Choose a Frame
  - Outside edge of solid wood frame will match door profile
  - Bamboo is only available with Standard frame
  - Standard:** 1 1/2" wide stiles and rails
  - 3E:** 3" wide stiles with 1 1/2" wide rails
  - 3FE:** 3" wide fluted stiles with 1 1/2" wide rails
  - VE:** top valance with 2" wide stiles and 1 1/2" wide rails; add 10%
- Upgrade to optional applied shelf edging; add 20%
  - Shelf edging not available in Bamboo
  - TEP not available in Red Birch or Alder
  - OGP, FBP, TEP, SEP not available in Walnut



- Choose a valance style, if applicable
  - 6" high, except VAL = 4 1/4" high
  - Radius cannot be modified
  - Feet are a fixed dimension; cannot be modified
  - Available in Oak, Maple, Cherry, Red Birch and Alder; not available in Bamboo
  - Minimum width for valances is 24"; except VAL minimum width is 18"



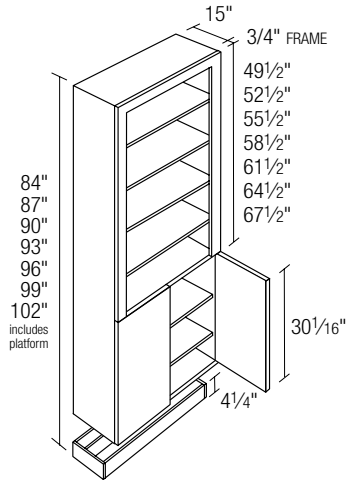
## Tall Furniture Bookcase with Frame

Price Grade	1	2	3	4	5	6	7	8	9
<b>13" Deep</b>									
VFTFBK2484	1837	2056	2314	2409	2507	2770	3036	3299	
VFTFBK2784	1906	2133	2401	2500	2602	2878	3150	3425	
VFTFBK3084	1967	2204	2479	2587	2695	2977	3261	3543	
VFTFBK3384	2016	2255	2537	2649	2764	3048	3334	3622	
VFTFBK3684	2081	2328	2623	2740	2858	3152	3449	3742	
VFTFBK2487	1861	2081	2343	2439	2536	2818	3103	3386	
VFTFBK2787	1927	2157	2427	2530	2633	2925	3218	3510	
VFTFBK3087	1991	2230	2509	2615	2724	3026	3329	3630	
VFTFBK3387	2039	2282	2567	2679	2793	3098	3405	3710	
VFTFBK3687	2105	2357	2654	2771	2889	3204	3519	3832	
VFTFBK2490	1883	2108	2372	2467	2563	2863	3171	3474	
VFTFBK2790	1947	2181	2454	2559	2664	2973	3285	3596	
VFTFBK3090	2016	2255	2537	2645	2753	3074	3398	3719	
VFTFBK3390	2060	2308	2596	2709	2824	3148	3474	3799	
VFTFBK3690	2130	2385	2684	2802	2919	3255	3589	3923	
VFTFBK2493	1904	2132	2400	2496	2592	2913	3235	3560	
VFTFBK2793	1971	2208	2483	2589	2691	3021	3353	3684	
VFTFBK3093	2036	2281	2566	2674	2785	3124	3465	3807	
VFTFBK3393	2084	2334	2628	2740	2853	3198	3542	3887	
VFTFBK3693	2154	2412	2714	2832	2951	3303	3658	4012	
VFTFBK2496	1927	2156	2427	2523	2620	2961	3301	3646	
VFTFBK2796	1995	2233	2513	2618	2720	3070	3420	3772	
VFTFBK3096	2058	2305	2594	2705	2813	3174	3534	3893	
VFTFBK3396	2108	2360	2657	2770	2882	3246	3609	3977	
VFTFBK3696	2178	2439	2744	2862	2982	3355	3728	4100	
VFTFBK2499	2047	2288	2576	2675	2779	3156	3532	3914	
VFTFBK2799	2119	2369	2669	2778	2885	3273	3659	4048	
VFTFBK3099	2183	2444	2752	2870	2981	3383	3779	4174	
VFTFBK3399	2237	2504	2819	2938	3056	3456	3858	4266	
VFTFBK3699	2311	2587	2911	3036	3163	3574	3984	4393	
VFTFBK24102	2268	2534	2853	2963	3078	3511	3939	4378	
VFTFBK27102	2348	2625	2958	3078	3195	3639	4080	4526	
VFTFBK30102	2417	2705	3047	3178	3299	3760	4213	4664	
VFTFBK33102	2479	2773	3121	3254	3381	3839	4298	4769	
VFTFBK36102	2559	2866	3224	3361	3500	3973	4440	4906	

# Tall Cabinets : Furniture Bookcases

## FOR ALL TALL BOOKCASES

- 84", 87" and 90" high has six adjustable shelves and one fixed shelf at 34" high
- 93" and 96" high has seven adjustable shelves and one fixed shelf at 34" high
- 99" and 102" high has six adjustable shelves, a fixed shelf at 34" high and a fixed shelf in the middle of the upper section
- Adjustable shelves are not flush with the front of the cabinet; see page 1.7
- Finished Ends and Finished Interior standard
- Toe Base Platform, recessed on front and one side, is shipped unattached
- **CAUTION:** Adjustable shelves require additional support for heavy loads
- Weight should be considered in an application where either or both sides are unsupported
- For other size Bookcase cabinets, call Customer Service



- 3/4"-thick shelves standard
- Profiled outside edge is optional
- Fixed shelf will not have profile
- Door height matches base cabinet Full-height Door
- Available in Wood and Bamboo only
- VF Frame option not available on cabinets less than 30" wide

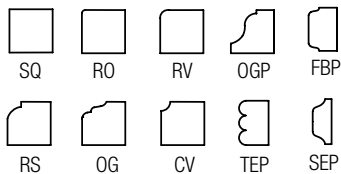
## HOW TO ORDER

### 1. Choose a Frame

- Outside edge of solid wood frame will match door profile
- Bamboo is only available with Standard frame
- Standard: 1 1/2" wide stiles and rails
- 3E: 3" wide stiles with 1 1/2" wide rails
- 3FE: 3" wide fluted stiles with 1 1/2" wide rails
- VF: top valance with 2" wide stiles and 1 1/2" wide rails; add 10%

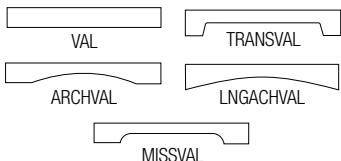
### 2. Upgrade to optional applied shelf edging; add 20%

- Shelf edging not available in Bamboo
- TEP not available in Red Birch or Alder
- OGP, FBP, TEP, SEP not available in Walnut



### 3. Choose a valance style, if applicable

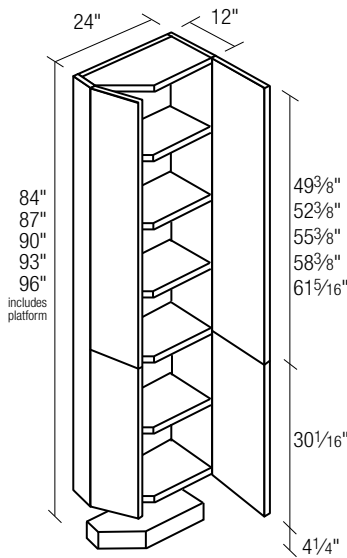
- 6" high, except VAL = 4 1/4" high
- Radius cannot be modified
- Feet are a fixed dimension; cannot be modified
- Available in Oak, Maple, Cherry, Red Birch and Alder; not available in Bamboo
- Minimum width for valances is 24"; except VAL minimum width is 18"



## Tall Furniture Bookcase with Frame

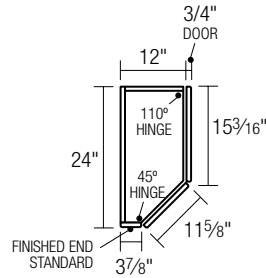
Price Grade	1	2	3	4	5	6	7	8	9
<b>15" Deep</b>									
VFTFBK2484-15	1996	2234	2515	2611	2708	2972	3238	3502	
VFTFBK2784-15	2063	2311	2600	2702	2804	3076	3353	3624	
VFTFBK3084-15	2126	2381	2681	2788	2896	3179	3462	3744	
VFTFBK3384-15	2175	2435	2740	2852	2966	3253	3537	3826	
VFTFBK3684-15	2240	2510	2824	2940	3062	3355	3650	3945	
VFTFBK2487-15	2019	2261	2542	2639	2736	3019	3303	3588	
VFTFBK2787-15	2084	2334	2629	2730	2834	3126	3419	3711	
VFTFBK3087-15	2151	2407	2710	2818	2926	3228	3532	3832	
VFTFBK3387-15	2196	2460	2769	2881	2995	3301	3605	3911	
VFTFBK3687-15	2266	2537	2855	2972	3091	3406	3721	4034	
VFTFBK2490-15	2042	2287	2572	2669	2765	3068	3371	3674	
VFTFBK2790-15	2106	2359	2656	2761	2862	3176	3486	3799	
VFTFBK3090-15	2175	2435	2740	2848	2956	3277	3600	3921	
VFTFBK3390-15	2220	2486	2799	2912	3026	3351	3674	3998	
VFTFBK3690-15	2290	2564	2885	3005	3121	3456	3791	4124	
VFTFBK2493-15	2063	2311	2600	2697	2793	3116	3438	3761	
VFTFBK2793-15	2132	2386	2686	2790	2894	3223	3552	3886	
VFTFBK3093-15	2195	2460	2768	2878	2986	3326	3667	4008	
VFTFBK3393-15	2245	2513	2828	2941	3055	3399	3742	4088	
VFTFBK3693-15	2313	2591	2915	3036	3151	3508	3860	4213	
VFTFBK2496-15	2084	2334	2628	2725	2822	3162	3506	3846	
VFTFBK2796-15	2155	2414	2715	2819	2922	3270	3621	3973	
VFTFBK3096-15	2218	2483	2796	2906	3013	3374	3736	4096	
VFTFBK3396-15	2268	2539	2858	2972	3083	3449	3811	4177	
VFTFBK3696-15	2337	2617	2945	3067	3182	3555	3929	4304	
VFTFBK2499-15	2209	2473	2787	2889	2992	3365	3749	4124	
VFTFBK2799-15	2286	2562	2880	2989	3096	3480	3870	4259	
VFTFBK3099-15	2352	2631	2964	3080	3191	3590	3993	4388	
VFTFBK3399-15	2404	2692	3032	3150	3265	3673	4070	4474	
VFTFBK3699-15	2477	2774	3121	3252	3373	3781	4195	4609	
VFTFBK24102-15	2445	2737	3086	3198	3312	3737	4179	4608	
VFTFBK27102-15	2530	2840	3189	3308	3425	3864	4314	4758	
VFTFBK30102-15	2604	2909	3280	3407	3528	3986	4449	4899	
VFTFBK33102-15	2661	2980	3356	3487	3611	4080	4533	4994	
VFTFBK36102-15	2742	3069	3454	3599	3732	4195	4671	5145	

# Tall Cabinets : Transitional Tall Cabinet



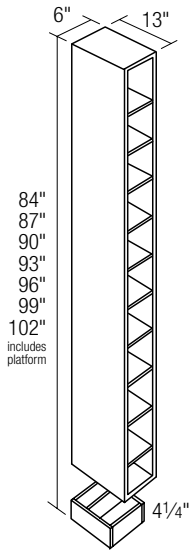
## Transitional Tall Cabinet

Price Grade	1	2	3	4	5	6	7	8	9
TRT1284	1424	1567	1757	1983	2181	2400	2710	2982	3279
TRT1287	1490	1639	1838	2074	2281	2509	2833	3119	3430
TRT1290	1555	1712	1920	2163	2380	2618	2957	3254	3578
TRT1293	1679	1848	2075	2340	2572	2828	3198	3517	3870
TRT1296	1807	1988	2230	2515	2766	3041	3437	3781	4159



- Designate L/R (right shown)
- Five fixed shelves
- Back and end not finished
- Finished Ends not available
- Toe Base Platform, recessed on front and one side, is shipped unattached
- Weight should be considered in an application where either or both sides are unsupported
- **Thermofoil and Textured Melamine horizontal patterns and grains will run vertically on all Tall cabinets (except 3-door Tall Cabinet), end panels, and doors more than 46 1/2" high**
- Use Transitional Cabinet Modification Form when requesting a modification; see OneTouch
- Not available in Fineline, Slimline or Broadline Metal door styles
- Small doors may be difficult to remove due to hinge proximity to back panel
- For doors prepared for glass, specify top, bottom or both; if nothing is specified, only the top section will be prepped for glass

# Tall Cabinets : Wine Rack



## Tall Wine Cube

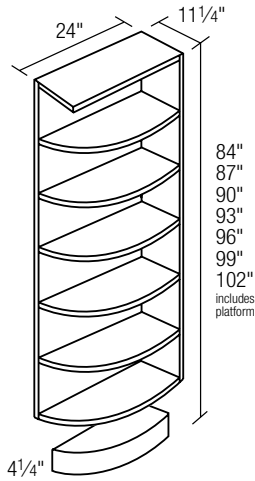
No. Of Cubbies		Material Options								
		Melamine	Eurotek	Textured Melamine	Standard Thermofoil	Premium Thermofoil	Wood	Wood Premium	Metal	UltraLux
12	WRV84	1016	1016	1219	1219	2390	1981	2094	2390	2390
12	WRV87	1053	1053	1264	1264	2476	2049	2166	2476	2476
13	WRV90	1089	1089	1307	1307	2561	2120	2241	2561	2561
13	WRV93	1122	1122	1346	1346	2637	2182	2307	2637	2637
14	WRV96	1153	1153	1384	1384	2714	2245	2373	2714	2714
14	WRV99						2309	2441		
14	WRV102						2487	2629		

- Shelves are 3/4" thick
- Finished Interior standard
- Vertical application only
- Toe Base Platform, recessed on front and one side, is shipped unattached
- Weight should be considered in an application where either or both sides are unsupported
- **Thermofoil and Textured Melamine horizontal patterns and grains will run vertically on all Tall cabinets (except 3-door Tall Cabinet), end panels, and doors more than 46 1/2" high**
- Wood Premium available in Walnut

# Tall Cabinets : Whatnots

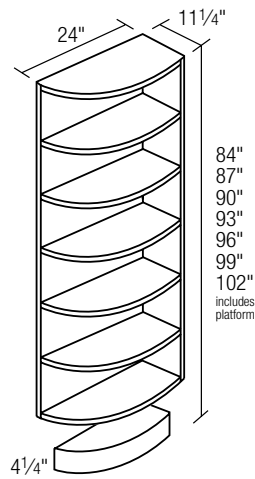
FOR ALL TALL WHATNOTS

- Designate L/R (right shown)
- Five fixed shelves
- Finished Interior standard
- Finished Ends not available
- Toe Base Platform, recessed on front and one side, is shipped unattached
- Order TOSRP for matching Flexible Toe Kick; see page 14.1
- Weight should be considered in an application where either or both sides are unsupported
- Wood Premium available in Walnut



## Tall Whatnot with Square Top

	Melamine	Eurotek	Textured Melamine	Standard Thermofoil	Premium Thermofoil	Wood	Wood Premium	Metal	UltraLux
UTWN84	1099	1099	1319	1319	1780	2371	2506	2570	2570
UTWN87	1144	1144	1373	1373	1857	2463	2604	2683	2683
UTWN90	1191	1191	1429	1429	1935	2557	2703	2793	2793
UTWN93	1210	1210	1452	1452	2015	2656	2808	2906	2906
UTWN96	1231	1231	1477	1477	2090	2752	2909	3017	3017
UTWN99						2850	3013		
UTWN102						3090	3267		



## Tall Whatnot with Radius top

	Melamine	Eurotek	Textured Melamine	Standard Thermofoil	Premium Thermofoil	Wood	Wood Premium	Metal	UltraLux
UTWNR84	1099	1099	1319	1319	1780	2371	2506	2570	2570
UTWNR87	1144	1144	1373	1373	1857	2463	2604	2683	2683
UTWNR90	1191	1191	1429	1429	1935	2557	2703	2793	2793
UTWNR93	1210	1210	1452	1452	2015	2656	2808	2906	2906
UTWNR96	1231	1231	1477	1477	2090	2752	2909	3017	3017
UTWNR99						2850	3013		
UTWNR102						3090	3267		

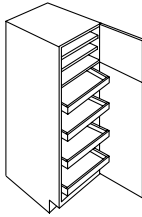


# Tall Cabinets : Tall Door Utility Cabinets

FOR ALL TALL UTILITY CABINETS

- Additional shelves may be ordered as accessory item; see page 17.2
- Toe Base Platform, recessed on front and one side, is shipped unattached
- Weight should be considered in an application where either or both sides are unsupported
- **Thermofoil and Textured Melamine horizontal patterns and grains will run vertically on all Tall cabinets (except 3-door Tall Cabinet), end panels, and doors more than 46 1/2" high**

## Tall Pull-out Option (factory installed)



Add up to 7 Pull-outs in bottom section

With 4 or more Pull-outs a stretcher is installed below the second for added support and may reduce storage space

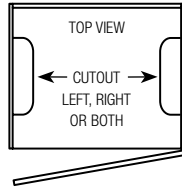
Kessebohmer Pull-outs are not available in modified widths, only available in 24" depths.

Prices are per Pull-out.

SKU List Price

SKU	List Price
DOVETAIL PULL-OUT W/SOFT CLOSE IN BIRCH	
Cabinets 12" to 21" wide DOVEPO	176
Cabinets over 21" wide DOVEPOW	203
DOVETAIL PULL-OUT W/SOFT CLOSE IN WALNUT	
Cabinets 12" to 21" wide DOVEPO	231
Cabinets over 21" wide DOVEPOW	264
METAL PULL-OUT	
Cabinets 12" to 21" wide METALPO	311
Cabinets over 21" wide METALPOW	338
KESSEBOHMER PULL-OUT	
Cabinets 15", 18" & 21" wide KSBPO	917
Cabinets 24" wide KSBPOW	971

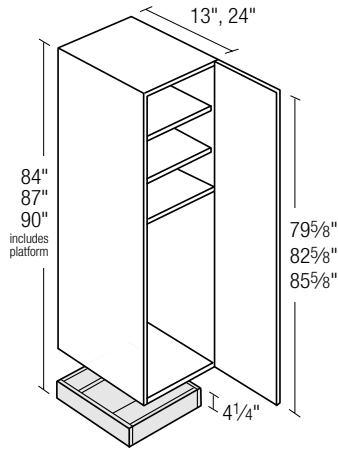
## Broom Handle Cut-out Option



- Adds an edgembanded opening (13 5/16"x4 1/2") in the fixed shelf of a Tall Utility cabinet to accommodate broom and mop handles
- Minimum width of 10" for single cutout, 13" for double cutout
- Cabinet must be at least 12 1/8" deep

SKU List Price

SKU	List Price
Left side CUTOUTL	No Charge
Right side CUTOUTR	No Charge
Both sides CUTOUTB	No Charge



- Designate L/R hinge (right shown)
- Fixed shelf centered 49 3/4" from cabinet floor (not including toe kick area)
- In top section: 84", 87" and 90" high have one fixed shelf and two adjustable shelves; 93", and 96" high have one fixed shelf and three adjustable shelves
- Not available on Wood door styles with solid wood center panel (Asheville, Boston, Breckenridge, Breckenridge Wide, Broadview, Evanston, Fairlawn, Hampton, Kiawah, Manhattan-Wide, Old Salem Wide, Raised, Royalton, Sagamore, Sarasota, Stickley, Stickley Wide, Wicker Park), Wood door styles with mitered frame (Amherst, Brunswick, Carnegie, Charlotte, Chesapeake, Corona, Crystal Lake, Dennison, Freedom, Frisco, Lakeway, Lafayette, Liberty, Livingston, Marshall, Mount Vernon, Oakland Park, Perth-Amboy, Plymouth, Winchester, York), or Eurotek door styles

## Tall Door Utility Cabinet 15"-24" Wide; 84"-90" High

Price Grade	1	2	3	4	5	6	7	8	9
BC151384TD	797	928	1060	1207	1340	1490	1699	1885	2090
BC152484TD	948	1064	1196	1352	1485	1635	1850	2033	2239
BC181384TD	836	971	1108	1263	1404	1563	1784	1976	2188
BC182484TD	991	1108	1245	1406	1548	1708	1932	2123	2337
BC211384TD	933	1082	1226	1401	1558	1731	1971	2181	2418
BC212484TD	1084	1217	1367	1546	1701	1874	2120	2333	2564
BC241384-1TD	1028	1193	1352	1542	1712	1901	2161	2389	2649
BC242484-1TD	1178	1328	1491	1685	1856	2042	2309	2539	2796
BC151387TD	836	974	1113	1273	1415	1574	1795	1992	2210
BC152487TD	1003	1128	1266	1431	1575	1733	1961	2156	2373
BC181387TD	877	1021	1164	1330	1476	1643	1877	2081	2305
BC182487TD	1046	1173	1317	1487	1636	1805	2042	2244	2471
BC211387TD	977	1138	1290	1471	1637	1818	2074	2296	2542
BC212487TD	1144	1284	1444	1631	1795	1977	2236	2461	2706
BC241387-1TD	1075	1250	1417	1617	1794	1994	2271	2511	2783
BC242487-1TD	1244	1400	1570	1776	1954	2150	2433	2675	2943
BC151390TD	876	1021	1168	1337	1490	1657	1892	2101	2328
BC152490TD	1059	1193	1334	1510	1666	1829	2071	2277	2506
BC181390TD	916	1070	1220	1395	1550	1724	1971	2186	2423
BC182490TD	1101	1238	1389	1569	1724	1902	2151	2364	2605
BC211390TD	1022	1193	1353	1544	1715	1907	2175	2412	2668
BC212490TD	1206	1353	1520	1716	1888	2080	2352	2590	2846
BC241390-1TD	1124	1307	1485	1693	1877	2085	2381	2632	2916
BC242490-1TD	1310	1470	1649	1866	2053	2258	2557	2810	3094



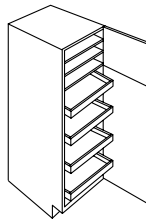


# Tall Cabinets : Tall Door Utility Cabinets

## FOR ALL TALL UTILITY CABINETS

- Additional shelves may be ordered as accessory item; see page 17.2
- Toe Base Platform, recessed on front and one side, is shipped unattached
- Weight should be considered in an application where either or both sides are unsupported
- **Thermofoil and Textured Melamine horizontal patterns and grains will run vertically on all Tall cabinets (except 3-door Tall Cabinet), end panels, and doors more than 46½" high**

## Tall Pull-out Option (factory installed)



Add up to 7 Pull-outs in bottom section

With 4 or more Pull-outs a stretcher is installed below the second for added support and may reduce storage space

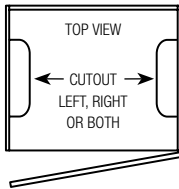
Kessebohmer Pull-outs are not available in modified widths, only available in 24" depths.

Prices are per Pull-out.

SKU List Price

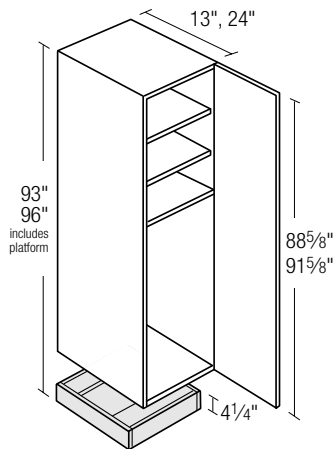
	SKU	List Price
DOVETAIL PULL-OUT W/SOFT CLOSE IN BIRCH		
Cabinets 12" to 21" wide	DOVEPO	176
Cabinets over 21" wide	DOVEPOW	203
DOVETAIL PULL-OUT W/SOFT CLOSE IN WALNUT		
Cabinets 12" to 21" wide	DOVEPO	231
Cabinets over 21" wide	DOVEPOW	264
METAL PULL-OUT		
Cabinets 12" to 21" wide	METALPO	311
Cabinets over 21" wide	METALPOW	338
KESSEBOHMER PULL-OUT		
Cabinets 15", 18" & 21" wide	KSBPO	917
Cabinets 24" wide	KSBPOW	971

## Broom Handle Cut-out Option



- Adds an edgebanded opening (13<sup>5</sup>/<sub>16</sub>"x4<sup>1</sup>/<sub>2</sub>") in the fixed shelf of a Tall Utility cabinet to accommodate broom and mop handles
- Minimum width of 10" for single cutout, 13" for double cutout
- Cabinet must be at least 12<sup>1</sup>/<sub>8</sub>" deep

	SKU	List Price
Left side	CUTOUTL	No Charge
Right side	CUTOUTR	No Charge
Both sides	CUTOUTB	No Charge



- Designate L/R hinge (right shown)
- Fixed shelf centered 49<sup>3</sup>/<sub>4</sub>" from cabinet floor (not including toe kick area)
- In top section: 84", 87" and 90" high have one fixed shelf and two adjustable shelves; 93", and 96" high have one fixed shelf and three adjustable shelves
- Not available on Wood door styles with solid wood center panel (Asheville, Boston, Breckenridge, Breckenridge Wide, Broadview, Evanston, Fairlawn, Hampton, **Kiawah**, **Manhattan-Wide**, Old Salem Wide, Raised, Royalton, Sagamore, Sarasota, Stickley, Stickley Wide, Wicker Park), Wood door styles with mitered frame (**Amherst**, **Brunswick**, **Garnegie**, Charlotte, Chesapeake, **Corona**, Crystal Lake, Dennison, **Freedom**, Frisco, **Lakeway**, Lafayette, **Liberty**, Livingston, Marshall, Mount Vernon, Oakland Park, **Perth-Amboy**, Plymouth, Winchester, **York**), or Eurotek door styles

## Tall Door Utility Cabinet 15"-24" Wide; 93"-96" High

Price Grade	1	2	3	4	5	6	7	8	9
BC151393TD	941	1101	1256	1437	1602	1781	2033	2261	2503
BC152493TD	1139	1281	1435	1624	1790	1967	2227	2449	2696
BC181393TD	981	1147	1308	1495	1661	1850	2114	2345	2598
BC182493TD	1180	1329	1490	1683	1851	2037	2305	2536	2792
BC211393TD	1098	1279	1455	1659	1845	2051	2340	2593	2868
BC212493TD	1294	1457	1635	1847	2031	2236	2531	2787	3063
BC241393-1TD	1213	1406	1598	1824	2023	2245	2563	2840	3143
BC242493-1TD	1410	1584	1779	2012	2211	2434	2758	3030	3334
BC151396TD	1007	1181	1341	1540	1713	1907	2177	2417	2681
BC152496TD	1218	1373	1541	1739	1913	2105	2385	2625	2885
BC181396TD	1046	1226	1395	1596	1776	1975	2257	2501	2771
BC182496TD	1260	1419	1589	1796	1977	2175	2461	2709	2981
BC211396TD	1170	1367	1553	1776	1975	2193	2501	2772	3069
BC212496TD	1385	1558	1750	1977	2175	2389	2709	2982	3277
BC241396-1TD	1301	1508	1710	1954	2167	2407	2746	3043	3368
BC242496-1TD	1512	1699	1908	2156	2371	2608	2956	3248	3576

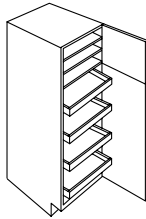


# Tall Cabinets : Tall Door Utility Cabinets

FOR ALL TALL UTILITY CABINETS

- Additional shelves may be ordered as accessory item; see page 17.2
- Toe Base Platform, recessed on front and one side, is shipped unattached
- Weight should be considered in an application where either or both sides are unsupported
- **Thermofoil and Textured Melamine horizontal patterns and grains will run vertically on all Tall cabinets (except 3-door Tall Cabinet), end panels, and doors more than 46½" high**

## Tall Pull-out Option (factory installed)



Add up to 7 Pull-outs in bottom section

With 4 or more Pull-outs a stretcher is installed below the second for added support and may reduce storage space

Kessebohmer Pull-outs are not available in modified widths, only available in 24" depths.

Prices are per Pull-out.

SKU List Price

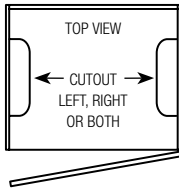
DOVETAIL PULL-OUT W/SOFT CLOSE IN BIRCH		
Cabinets 12" to 21" wide	DOVEPO	176
Cabinets over 21" wide	DOVEPOW	203

DOVETAIL PULL-OUT W/SOFT CLOSE IN WALNUT		
Cabinets 12" to 21" wide	DOVEPO	231
Cabinets over 21" wide	DOVEPOW	264

METAL PULL-OUT		
Cabinets 12" to 21" wide	METALPO	311
Cabinets over 21" wide	METALPOW	338

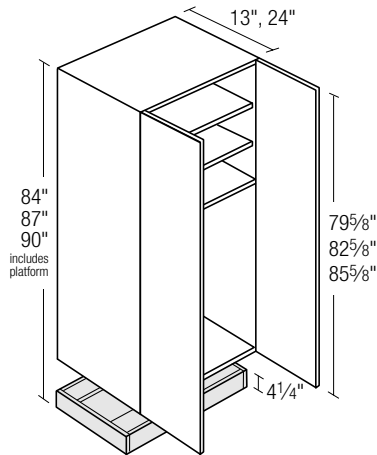
KESSEBOHMER PULL-OUT		
Cabinets 15", 18" & 21" wide	KSBPO	917
Cabinets 24" wide	KSBPOW	971

## Broom Handle Cut-out Option



- Adds an edgebanded opening (13<sup>5</sup>/<sub>16</sub>"x4<sup>1</sup>/<sub>2</sub>") in the fixed shelf of a Tall Utility cabinet to accommodate broom and mop handles
- Minimum width of 10" for single cutout, 13" for double cutout
- Cabinet must be at least 12<sup>1</sup>/<sub>8</sub>" deep

	SKU	List Price
Left side	CUTOUTL	No Charge
Right side	CUTOUTR	No Charge
Both sides	CUTOUTB	No Charge



- Fixed shelf centered 49<sup>3</sup>/<sub>4</sub>" from cabinet floor (not including toe kick area)
- In top section: 84", 87" and 90" high have one fixed shelf and two adjustable shelves; 93", and 96" high have one fixed shelf and three adjustable shelves
- Not available on Wood door styles with solid wood center panel (Asheville, Boston, Breckenridge, Breckenridge Wide, Broadview, Evanston, Fairlawn, Hampton, **Kiawah**, **Manhattan-Wide**, Old Salem Wide, Raised, Royalton, Sagamore, Sarasota, Stickley, Stickley Wide, Wicker Park), Wood door styles with mitered frame (**Amherst**, **Brunswick**, **Garnegie**, Charlotte, Chesapeake, **Gorona**, Crystal Lake, Dennison, **Freedom**, Frisco, **Lakeway**, Lafayette, **Liberty**, Livingston, Marshall, Mount Vernon, Oakland Park, **Perth-Amboy**, Plymouth, Winchester, **York**), or Eurotek door styles

## Tall Door Utility Cabinet 24"-36" Wide; 84"-90" High

Price Grade	1	2	3	4	5	6	7	8	9
BC241384TD	1028	1193	1352	1542	1712	1901	2161	2389	2649
BC242484TD	1178	1328	1491	1685	1856	2042	2309	2539	2796
BC271384TD	1104	1277	1448	1646	1829	2025	2308	2555	2826
BC272484TD	1253	1414	1587	1792	1975	2169	2456	2700	2973
BC301384TD	1178	1360	1541	1754	1944	2155	2453	2715	3001
BC302484TD	1329	1496	1679	1902	2092	2299	2605	2863	3149
BC331384TD	1253	1444	1635	1862	2061	2283	2600	2875	3177
BC332484TD	1406	1711	1919	2174	2390	2629	2977	3273	3599
BC361384TD	1329	1527	1731	1969	2179	2410	2746	3036	3354
BC362484TD	1483	1926	2160	2444	2688	2958	3349	3682	4048
BC241387TD	1075	1250	1417	1617	1794	1994	2271	2511	2783
BC242487TD	1244	1400	1570	1776	1954	2150	2433	2675	2943
BC271387TD	1153	1335	1514	1725	1914	2122	2419	2679	2963
BC272487TD	1318	1487	1668	1885	2075	2280	2581	2841	3125
BC301387TD	1226	1418	1608	1834	2033	2253	2568	2842	3143
BC302487TD	1393	1571	1762	1996	2192	2414	2732	3007	3304
BC331387TD	1302	1503	1705	1944	2153	2386	2717	3006	3323
BC332487TD	1471	1791	2008	2273	2499	2750	3111	3424	3765
BC361387TD	1378	1588	1801	2053	2272	2517	2867	3171	3504
BC362487TD	1548	2012	2254	2551	2804	3087	3491	3841	4227
BC241390TD	1124	1307	1485	1693	1877	2085	2381	2632	2916
BC242490TD	1310	1470	1649	1866	2053	2258	2557	2810	3094
BC271390TD	1202	1393	1580	1805	1999	2218	2530	2801	3100
BC272490TD	1385	1558	1750	1977	2175	2389	2709	2982	3277
BC301390TD	1277	1476	1678	1913	2123	2351	2684	2967	3282
BC302490TD	1461	1644	1845	2088	2294	2528	2858	3147	3460
BC331390TD	1352	1562	1775	2025	2245	2487	2834	3136	3467
BC332490TD	1538	1870	2097	2372	2608	2872	3247	3574	3932
BC361390TD	1428	1648	1872	2136	2368	2625	2986	3304	3653
BC362490TD	1614	2097	2349	2656	2922	3215	3635	4001	4402

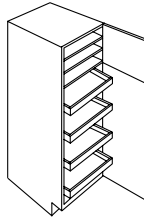


# Tall Cabinets : Tall Door Utility Cabinets

## FOR ALL TALL UTILITY CABINETS

- Additional shelves may be ordered as accessory item; see page 17.2
- Toe Base Platform, recessed on front and one side, is shipped unattached
- Weight should be considered in an application where either or both sides are unsupported
- **Thermofoil and Textured Melamine horizontal patterns and grains will run vertically on all Tall cabinets (except 3-door Tall Cabinet), end panels, and doors more than 46½" high**

## Tall Pull-out Option (factory installed)



Add up to 7 Pull-outs in bottom section

With 4 or more Pull-outs a stretcher is installed below the second for added support and may reduce storage space

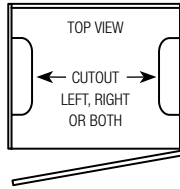
Kessebohmer Pull-outs are not available in modified widths, only available in 24" depths.

Prices are per Pull-out.

SKU List Price

	SKU	List Price
DOVETAIL PULL-OUT W/SOFT CLOSE IN BIRCH		
Cabinets 12" to 21" wide	DOVEPO	176
Cabinets over 21" wide	DOVEPOW	203
DOVETAIL PULL-OUT W/SOFT CLOSE IN WALNUT		
Cabinets 12" to 21" wide	DOVEPO	231
Cabinets over 21" wide	DOVEPOW	264
METAL PULL-OUT		
Cabinets 12" to 21" wide	METALPO	311
Cabinets over 21" wide	METALPOW	338
KESSEBOHMER PULL-OUT		
Cabinets 15", 18" & 21" wide	KSBPO	917
Cabinets 24" wide	KSBPOW	971

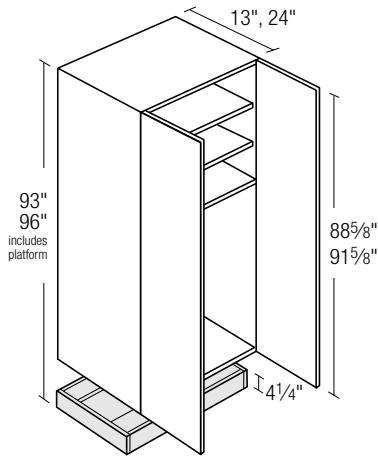
## Broom Handle Cut-out Option



- Adds an edgebanded opening (13<sup>5</sup>/<sub>16</sub>"x4<sup>1</sup>/<sub>2</sub>") in the fixed shelf of a Tall Utility cabinet to accommodate broom and mop handles
- Minimum width of 10" for single cutout, 13" for double cutout
- Cabinet must be at least 12<sup>1</sup>/<sub>8</sub>" deep

SKU List Price

	SKU	List Price
Left side	CUTOUL	No Charge
Right side	COUTR	No Charge
Both sides	COUTB	No Charge



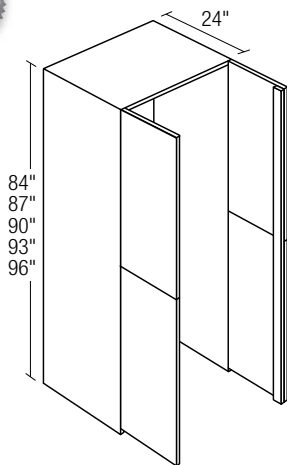
- Fixed shelf centered 49<sup>3</sup>/<sub>4</sub>" from cabinet floor (not including toe kick area)
- In top section: 84", 87" and 90" high have one fixed shelf and two adjustable shelves; 93", and 96" high have one fixed shelf and three adjustable shelves
- Not available on Wood door styles with solid wood center panel (Asheville, Boston, Breckenridge, Breckenridge Wide, Broadview, Evanston, Fairlawn, Hampton, **Kiawah**, **Manhattan-Wide**, Old Salem Wide, Raised, Royalton, Sagamore, Sarasota, Stickley, Stickley Wide, Wicker Park), Wood door styles with mitered frame (**Amherst**, **Brunswick**, **Carnegie**, Charlotte, Chesapeake, **Corona**, Crystal Lake, Dennison, **Freedom**, Frisco, **Lakeway**, Lafayette, **Liberty**, Livingston, Marshall, Mount Vernon, Oakland Park, **Perth-Amboy**, Plymouth, Winchester, **York**), or Eurotek door styles

## Tall Door Utility Cabinet 24"-36" Wide; 93"-96" High

Price Grade	1	2	3	4	5	6	7	8	9
BC241393TD	1213	1406	1598	1824	2023	2245	2563	2840	3143
BC242493TD	1410	1584	1779	2012	2211	2434	2758	3030	3334
BC271393TD	1300	1504	1706	1947	2160	2398	2732	3026	3349
BC272493TD	1495	1683	1890	2135	2348	2582	2925	3220	3541
BC301393TD	1385	1600	1815	2073	2295	2545	2900	3212	3550
BC302493TD	1581	1780	1997	2261	2485	2734	3095	3403	3744
BC331393TD	1470	1698	1925	2195	2433	2696	3070	3400	3756
BC332493TD	1667	2030	2276	2574	2831	3116	3525	3878	4266
BC361393TD	1555	1795	2035	2319	2572	2848	3241	3588	3962
BC362493TD	1752	2280	2555	2886	3178	3497	3957	4352	4789
BC241396TD	1301	1508	1710	1954	2167	2407	2746	3043	3368
BC242496TD	1512	1699	1908	2156	2371	2608	2956	3248	3576
BC271396TD	1395	1616	1833	2093	2320	2573	2932	3248	3593
BC272496TD	1607	1807	2028	2293	2524	2772	3143	3458	3803
BC301396TD	1490	1721	1954	2228	2471	2738	3120	3457	3818
BC302496TD	1701	1914	2150	2430	2675	2939	3329	3660	4029
BC331396TD	1587	1831	2075	2364	2625	2904	3307	3662	4046
BC332496TD	1796	2188	2455	2774	3055	3359	3803	4183	4602
BC361396TD	1683	1941	2196	2500	2778	3071	3494	3869	4272
BC362496TD	1892	2461	2762	3119	3434	3780	4278	4706	5175

# Tall Cabinets : Walk-Through Pantry

**NEW!**

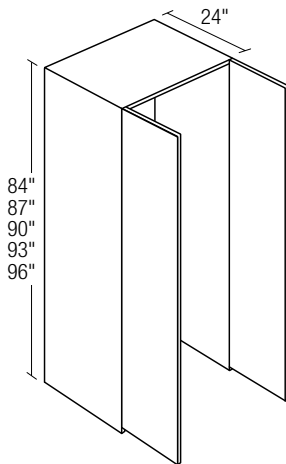


## Walk-Through Pantry Kit – Four Doors

Price Grade	1	2	3	4	5	6	7	8	9
WTP3684	1706	2215	2484	2811	3092	3402	3852	4235	4656
WTP3687	1781	2314	2593	2934	3225	3551	4015	4418	4862
WTP3690	1857	2412	2702	3055	3361	3698	4181	4602	5063
WTP3693	2015	2622	2939	3319	3655	4022	4551	5005	5508
WTP3696	2176	2831	3177	3587	3950	4347	4920	5412	5952

- Requires field assembly
- Kit includes:
  - 3 Panels (left, right, and top)
  - 4 Loose Doors with Hinges
  - 2 Fillers (upper and lower doors must be mended together in the field)
- Designed to align with Tall Utility Cabinet
- Wall Cabinet can be stacked on top to align with adjacent cabinetry
- Doors extend to floor with increased reveal at bottom to allow for floor imperfections
- Filler back is not finished in all instances and may require touch-up if exposed in reveal between doors
- Panel depth can be increased to extend past cabinet depth to cover wall opening
- **Walk Through Pantry must be supported on both sides and cannot be designed to fit at the end of a run**

**NEW!**



## Walk-Through Pantry Kit – Tall Doors

Price Grade	1	2	3	4	5	6	7	8	9
WTP3684TD	1792	2327	2609	2953	3247	3572	4045	4448	4889
WTP3687TD	1870	2430	2723	3081	3387	3729	4216	4640	5105
WTP3690TD	1950	2533	2838	3208	3530	3883	4390	4833	5317
WTP3693TD	2116	2754	3086	3486	3838	4223	4779	5256	5784
WTP3696TD	2286	2973	3337	3767	4147	4565	5166	5684	6250

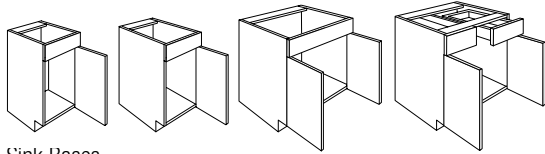
- Requires field assembly
- Kit includes:
  - 3 Panels (left, right, and top)
  - 2 Loose Doors with Hinges
- Designed to align with Tall Utility Cabinet
- Wall Cabinet can be stacked on top to align with adjacent cabinetry
- Doors extend to floor with increased reveal at bottom to allow for floor imperfections
- Panel depth can be increased to extend past cabinet depth to cover wall opening
- **Walk Through Pantry must be supported on both sides and cannot be designed to fit at the end of a run**
- Not available on Wood door styles with solid wood center panel (Asheville, Boston, Breckenridge, Breckenridge Wide, Broadview, Evanston, Fairlawn, Hampton, Old Salem Wide, Raised, Royalton, Sagamore, Sarasota, Stickley, Stickley Wide, Wicker Park), Wood door styles with mitered frame (Charlotte, Chesapeake, Crystal Lake, Dennison, Frisco, Lakeway, Lafayette, Livingston, Marshall, Mount Vernon, Oakland Park, Plymouth, Winchester), or Eurotek door styles

# Table of Contents – Vanity

Click on any item to jump to that item's first page.

## Sink Base Vanity Cabinets

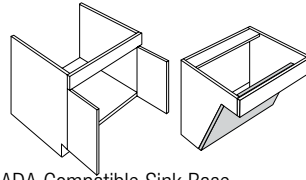
Typical dimensions: 18"-48"w, 32"/34.5"h, 18"/21"d



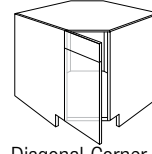
Sink Bases

(Full-height door option)

sku ex: VSB18-16, VSB21, VSB42, VSB42FF



ADA Compatible Sink Base  
sku ex: RVSB36/VSSI36



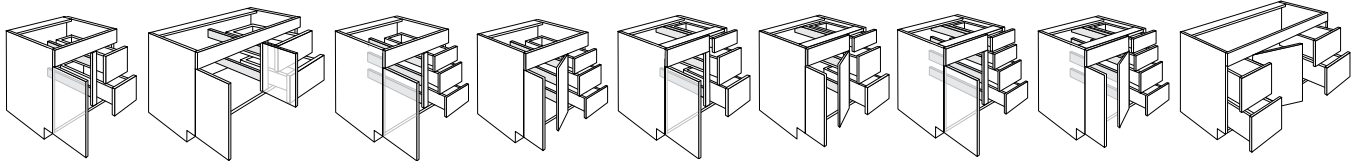
Disgonal Corner Sink Bases

(Full-height door option)

sku ex: VDCSBT33

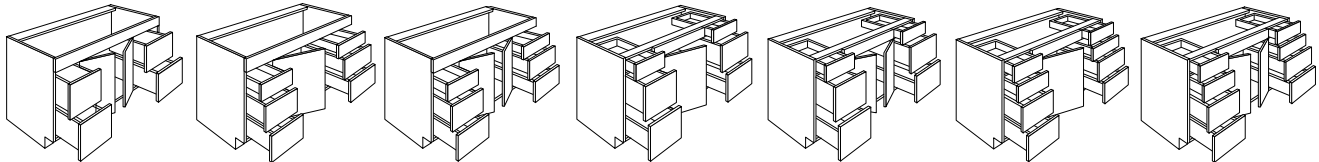
## Sink Base Combination Vanity Cabinets

Typical dimensions: 24"-60"w, 32"/34.5"h, 18"/21"d



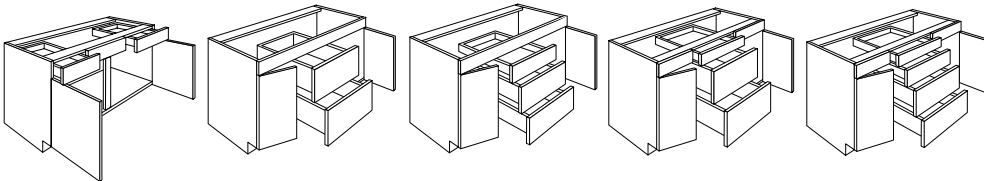
Combination Sink Bases

sku ex: VAN36, VAN48D, VAN336, VAN360D, V3DB36, V3DB60D, V4DB36, V4DB60D, DV60



Combination Sink Bases

sku ex: DV60D, DV360, DV360D, DV3DB60, DV3DB60D, DV4DB60, DV4DB60D

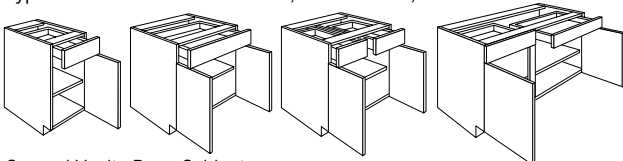


Combination Sink Bases

sku ex: VSB482D, CV60, CV360, CV3DB60, CV4DB60

## General Base Vanity Cabinets

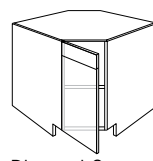
Typical dimensions: 12"-48"w, 32"/34.5"h, 18"/21"d



General Vanity Base Cabinets

(Full-height door and Pull-out options)

sku ex: VB21, VB36, VB36S, VB48



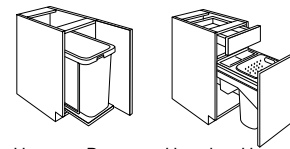
Diagonal Corner Base

(Full-height door option)

sku ex: VDCBT33

## Hamper Base Vanity Cabinets

Typical dimensions:  
18"w, 32"/34.5"h, 18"/21"d



Hamper Bases

sku ex: VHC18

Hanging Hamper Bases

(Full-height door, Pull-out options)

sku ex: VHHCT18

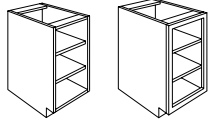
*continued >>>*

# Table of Contents – Vanity

Click on any item to jump to that item's first page.

## Open Base Vanity Cabinets

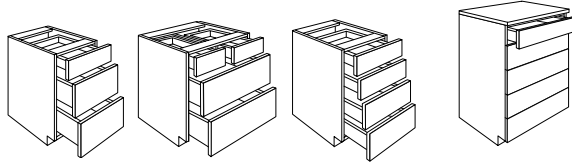
Typical dimensions:  
18"-24"w, 32"/34.5"h, 18"/21"d



Open Shelf Towel Bases  
(Shelf Edge, Frame options)  
sku ex: VTB24, VVTB24, VFVTB24

## Drawer Base Vanity Cabinets

Typical dimensions: 12"-36"w, 32"/34.5"h, 18"/21"d



Drawer Base Cabinets  
sku ex: VDB30, VDB30S, VDB30

Closet Armoire Cabinets  
sku ex: CA30

## Whatnot End Vanity Cabinets

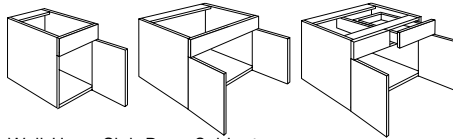
Typical dimensions:  
12"w, 32"/34.5"h, 18"/21"d



Whatnot Vanity Base Cabinets  
sku ex: VWN12

## Wall-Hung Sink Base Vanity Cabinets

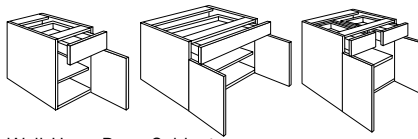
Typical dimensions:  
18"-36"w, 24"h, 18"/21"d



Wall-Hung Sink Base Cabinets  
(Full-height door option)  
sku ex: HVS21, HVS36, HVS36FF

## Wall-Hung Base Vanity Cabinets

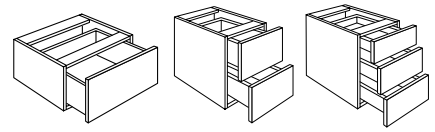
Typical dimensions:  
18"-36"w, 24"h, 18"/21"d



Wall-Hung Base Cabinets  
(Full-height door option)  
sku ex: HV21, HV36, HV36S

## Wall-Hung Drawer Base Vanity Cabinets

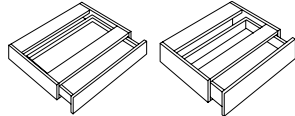
Typical dimensions:  
12"-36"w, 24"h, 18"/21"d



Wall-Hung Drawer Base Cabinets  
(Split Top Drawer option)  
sku ex: HV361D, HV362D, HV363D, HV363DS

## Vanity Hanging Drawers

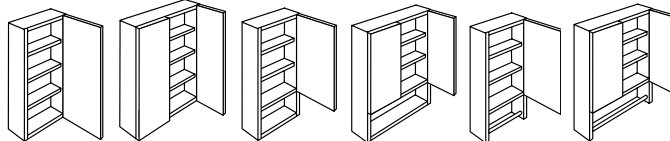
Typical dimensions:  
18"-30"w, 4"/6"h, 18"/21"d



Hanging Drawers  
sku ex: VHD30, HD36

## Medicine Cabinets

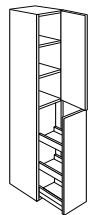
Typical dimensions: 12"-30"w, 30"-45"h, 5"d



Medicine Cabinets  
sku ex: MC1545, MC3045, MCS1545, MCS3045, MCB1545, MCB3045

## Vanity Hutch Organizers

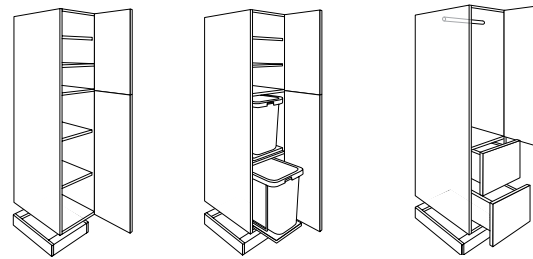
Typical dimensions:  
9"/12"w, 48"-60"h, 13"d



Century Countertop Pull-outs  
sku ex: VHSTORG1248

## Tall Vanity Cabinets

Typical dimensions: 15"-24"w, 84"-99"h, 18"/21"/24"d



Tall Linen Cabinets  
sku ex: VL1893

Tall Hamper Cabinets  
sku ex: VLH1893

Tall Wardrobe Cabinets  
sku ex: WD2424

<<< *continued*

# Vanity Cabinets : Sink Bases

FOR ALL VANITY SINK BASE CABINETS

- Tilt-tray not available with Full-Height Doors
- Price includes a matching Touch-Up Kit
- No line boring



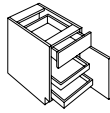
## Tilt-out Tray Option

Add a factory-installed Tilt-out storage tray in Plastic or Stainless Steel

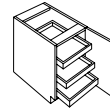
SKU	List Price
TILT P	132
TILT S	225

## Vanity Pull-out Option (factory installed)

SKU List Price



Maximum Number of Pull-outs:  
 2 in a Vanity with drawer.  
 4 in a Vanity without drawer.  
 3 in a Tall Vanity with drawer.  
 5 in a Tall Vanity without drawer.



When one Pull-out is ordered it is placed in the bottom of the cabinet and the shelf remains.

When two or more Pull-outs are ordered the shelf is removed.

Kessebohmer Pull-outs are not available in modified widths, only available in 24" depths.

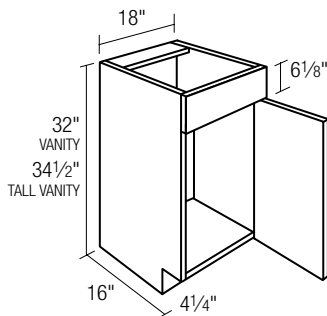
Prices are per Pull-out.

DOVETAIL PULL-OUT W/SOFT CLOSE IN BIRCH	
Cabinets 12" to 21" wide	DOVEPO 176
Cabinets over 21" wide	DOVEPOW 203

DOVETAIL PULL-OUT W/SOFT CLOSE IN WALNUT	
Cabinets 12" to 21" wide	DOVEPO 231
Cabinets over 21" wide	DOVEPOW 264

METAL PULL-OUT	
Cabinets 12" to 21" wide	METALPO 311
Cabinets over 21" wide	METALPOW 338

KESSEBOHMER PULL-OUT	
Cabinets 15", 18" & 21" wide	KSBPO 917
Cabinets 24" wide	KSBPOW 971



- Designate L/R hinge (right shown)

## Vanity Sink Bases

Price Grade	1	2	3	4	5	6	7	8	9
-------------	---	---	---	---	---	---	---	---	---

### Vanity Sink Base – 16" Deep

VSB18-16	483	558	624	707	775	855	964	1060	1166
----------	-----	-----	-----	-----	-----	-----	-----	------	------

### Vanity Sink Base – 16" Deep; Full-Height Door

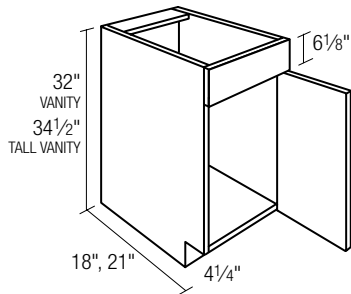
VSB18-16FH	483	558	624	707	775	855	964	1060	1166
------------	-----	-----	-----	-----	-----	-----	-----	------	------

### Tall Vanity Sink Base – 16" Deep

VSBT18-16	597	668	744	831	910	991	1112	1220	1333
-----------	-----	-----	-----	-----	-----	-----	------	------	------

### Tall Vanity Sink Base – 16" Deep; Full-Height Door

VSBT18-16FH	597	668	744	831	910	991	1112	1220	1333
-------------	-----	-----	-----	-----	-----	-----	------	------	------



- Designate L/R hinge (right shown)

## Vanity Sink Bases

Price Grade	1	2	3	4	5	6	7	8	9
-------------	---	---	---	---	---	---	---	---	---

### Vanity Sink Base – 18", 21" Wide

VSB18	597	668	744	831	910	991	1112	1220	1333
-------	-----	-----	-----	-----	-----	-----	------	------	------

VSB21	618	693	770	862	940	1029	1156	1266	1386
-------	-----	-----	-----	-----	-----	------	------	------	------

VSB18-18	597	668	744	831	910	991	1112	1220	1333
----------	-----	-----	-----	-----	-----	-----	------	------	------

VSB21-18	618	693	770	862	940	1029	1156	1266	1386
----------	-----	-----	-----	-----	-----	------	------	------	------

### Vanity Sink Base – 18", 21" Wide; Full-Height Door

VSB18FH	597	668	744	831	910	991	1112	1220	1333
---------	-----	-----	-----	-----	-----	-----	------	------	------

VSB21FH	618	693	770	862	940	1029	1156	1266	1386
---------	-----	-----	-----	-----	-----	------	------	------	------

VSB1818FH	597	668	744	831	910	991	1112	1220	1333
-----------	-----	-----	-----	-----	-----	-----	------	------	------

VSB2118FH	618	693	770	862	940	1029	1156	1266	1386
-----------	-----	-----	-----	-----	-----	------	------	------	------

### Tall Vanity Sink Base – 18", 21" Wide

VSBT18	611	682	757	850	929	1014	1139	1242	1362
--------	-----	-----	-----	-----	-----	------	------	------	------

VSBT21	629	703	783	877	959	1045	1173	1285	1406
--------	-----	-----	-----	-----	-----	------	------	------	------

VSBT1818	611	682	757	850	929	1014	1139	1242	1362
----------	-----	-----	-----	-----	-----	------	------	------	------

VSBT2118	629	703	783	877	959	1045	1173	1285	1406
----------	-----	-----	-----	-----	-----	------	------	------	------

### Tall Vanity Sink Base – 18", 21" Wide; Full-Height Door

VSBT18FH	611	682	757	850	929	1014	1139	1242	1362
----------	-----	-----	-----	-----	-----	------	------	------	------

VSBT21FH	629	703	783	877	959	1045	1173	1285	1406
----------	-----	-----	-----	-----	-----	------	------	------	------

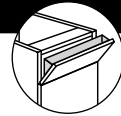
VSBT1818FH	611	682	757	850	929	1014	1139	1242	1362
------------	-----	-----	-----	-----	-----	------	------	------	------

VSBT2118FH	629	703	783	877	959	1045	1173	1285	1406
------------	-----	-----	-----	-----	-----	------	------	------	------

# Vanity Cabinets : Sink Bases

FOR ALL VANITY SINK BASE CABINETS

- Tilt-tray not available with Full-Height Doors
- Price includes a matching Touch-Up Kit
- No line boring



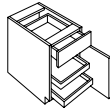
## Tilt-out Tray Option

Add a factory-installed Tilt-out storage tray in Plastic or Stainless Steel

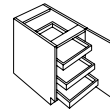
SKU	List Price
TILT P	132
TILT S	225

## Vanity Pull-out Option (factory installed)

SKU List Price



Maximum Number of Pull-outs:  
 2 in a Vanity with drawer.  
 4 in a Vanity without drawer.  
 3 in a Tall Vanity with drawer.  
 5 in a Tall Vanity without drawer.



When one Pull-out is ordered it is placed in the bottom of the cabinet and the shelf remains.

When two or more Pull-outs are ordered the shelf is removed.

Kessebohmer Pull-outs are not available in modified widths, only available in 24" depths.

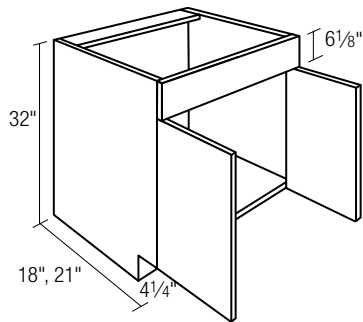
Prices are per Pull-out.

DOVETAIL PULL-OUT W/SOFT CLOSE IN BIRCH		
Cabinets 12" to 21" wide	DOVEPO	176
Cabinets over 21" wide	DOVEPOW	203

DOVETAIL PULL-OUT W/SOFT CLOSE IN WALNUT		
Cabinets 12" to 21" wide	DOVEPO	231
Cabinets over 21" wide	DOVEPOW	264

METAL PULL-OUT		
Cabinets 12" to 21" wide	METALPO	311
Cabinets over 21" wide	METALPOW	338

KESSEBOHMER PULL-OUT		
Cabinets 15", 18" & 21" wide	KSBPO	917
Cabinets 24" wide	KSBPOW	971



- Vertical-grain drawer fronts on Thermofoil, Textured Melamine and UltraLux door styles is limited to 46 1/2" wide

## Vanity Sink Bases

Price Grade	1	2	3	4	5	6	7	8	9
-------------	---	---	---	---	---	---	---	---	---

### Vanity Sink Base – 24"-48" Wide

VSB24	638	719	795	889	971	1063	1194	1304	1430
VSB27	660	740	824	921	1005	1095	1234	1353	1478
VSB30	720	774	863	966	1055	1160	1301	1428	1560
VSB33	761	821	912	1018	1119	1224	1374	1504	1648
VSB36	776	842	940	1051	1153	1258	1416	1549	1698
VSB42	870	941	1051	1181	1293	1416	1594	1746	1910
VSB48	913	988	1101	1233	1353	1476	1667	1828	2002
VSB2418	638	719	795	889	971	1063	1194	1304	1430
VSB2718	660	740	824	921	1005	1095	1234	1353	1478
VSB3018	720	774	863	966	1055	1160	1301	1428	1560
VSB3318	761	821	912	1018	1119	1224	1374	1504	1648
VSB3618	776	842	940	1051	1153	1258	1416	1549	1698
VSB4218	870	941	1051	1181	1293	1416	1594	1746	1910
VSB4818	913	988	1101	1233	1353	1476	1667	1828	2002

### Vanity Sink Base – 24"-48" Wide; Full-Height Door

VSB24FH	638	719	795	889	971	1063	1194	1304	1430
VSB27FH	660	740	824	921	1005	1095	1234	1353	1478
VSB30FH	720	774	863	966	1055	1160	1301	1428	1560
VSB33FH	761	821	912	1018	1119	1224	1374	1504	1648
VSB36FH	776	842	940	1051	1153	1258	1416	1549	1698
VSB42FH	870	941	1051	1181	1293	1416	1594	1746	1910
VSB48FH	913	988	1101	1233	1353	1476	1667	1828	2002
VSB2418FH	638	719	795	889	971	1063	1194	1304	1430
VSB2718FH	660	740	824	921	1005	1095	1234	1353	1478
VSB3018FH	720	774	863	966	1055	1160	1301	1428	1560
VSB3318FH	761	821	912	1018	1119	1224	1374	1504	1648
VSB3618FH	776	842	940	1051	1153	1258	1416	1549	1698
VSB4218FH	870	941	1051	1181	1293	1416	1594	1746	1910
VSB4818FH	913	988	1101	1233	1353	1476	1667	1828	2002



# Vanity Cabinets : Sink Bases

FOR ALL VANITY SINK BASE CABINETS

- Tilt-tray not available with Full-Height Doors
- Price includes a matching Touch-Up Kit
- No line boring

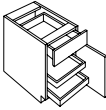


## Tilt-out Tray Option

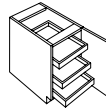
Add a factory-installed Tilt-out storage tray in Plastic or Stainless Steel

SKU	List Price
TILT P	132
TILT S	225

## Vanity Pull-out Option (factory installed)



Maximum Number of Pull-outs:  
 2 in a Vanity with drawer.  
 4 in a Vanity without drawer.  
 3 in a Tall Vanity with drawer.  
 5 in a Tall Vanity without drawer.



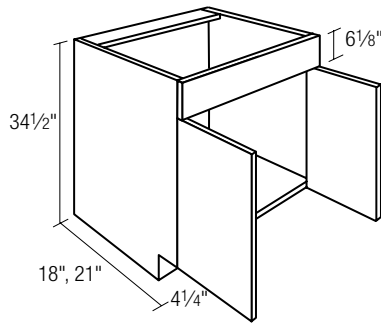
When one Pull-out is ordered it is placed in the bottom of the cabinet and the shelf remains.

When two or more Pull-outs are ordered the shelf is removed.

Kessebohmer Pull-outs are not available in modified widths, only available in 24" depths.

Prices are per Pull-out.

SKU	List Price
DOVETAIL PULL-OUT W/SOFT CLOSE IN BIRCH Cabinets 12" to 21" wide	DOVEPO 176
Cabinets over 21" wide	DOVEPOW 203
DOVETAIL PULL-OUT W/SOFT CLOSE IN WALNUT Cabinets 12" to 21" wide	DOVEPO 231
Cabinets over 21" wide	DOVEPOW 264
METAL PULL-OUT Cabinets 12" to 21" wide	METALPO 311
Cabinets over 21" wide	METALPOW 338
KESSEBOHMER PULL-OUT Cabinets 15", 18" & 21" wide	KSBPO 917
Cabinets 24" wide	KSBPOW 971



- Vertical-grain drawer fronts on Thermofoil, Textured Melamine and UltraLux door styles is limited to 46 1/2" wide

## Vanity Sink Bases

Price Grade	1	2	3	4	5	6	7	8	9
-------------	---	---	---	---	---	---	---	---	---

### Tall Vanity Sink Base – 24"-48" Wide

VSBT24	646	727	811	905	990	1082	1219	1331	1460
VSBT27	667	752	836	934	1018	1119	1257	1374	1504
VSBT30	727	790	877	979	1073	1173	1320	1446	1583
VSBT33	769	833	930	1039	1136	1244	1400	1534	1678
VSBT36	793	855	952	1068	1164	1274	1434	1569	1717
VSBT42	882	952	1060	1190	1304	1427	1607	1761	1930
VSBT48	921	994	1108	1250	1365	1499	1686	1851	2026
VSBT2418	646	727	811	905	990	1082	1219	1331	1460
VSBT2718	667	752	836	934	1018	1119	1257	1374	1504
VSBT3018	727	790	877	979	1073	1173	1320	1446	1583
VSBT3318	769	833	930	1039	1136	1244	1400	1534	1678
VSBT3618	793	855	952	1068	1164	1274	1434	1569	1717
VSBT4218	882	952	1060	1190	1304	1427	1607	1761	1930
VSBT4818	921	994	1108	1250	1365	1499	1686	1851	2026

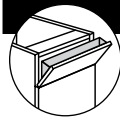
### Tall Vanity Sink Base – 24"-48" Wide; Full-Height Door

VSBT24FH	646	727	811	905	990	1082	1219	1331	1460
VSBT27FH	667	752	836	934	1018	1119	1257	1374	1504
VSBT30FH	727	790	877	979	1073	1173	1320	1446	1583
VSBT33FH	769	833	930	1039	1136	1244	1400	1534	1678
VSBT36FH	793	855	952	1068	1164	1274	1434	1569	1717
VSBT42FH	882	952	1060	1190	1304	1427	1607	1761	1930
VSBT48FH	921	994	1108	1250	1365	1499	1686	1851	2026
VSBT2418FH	646	727	811	905	990	1082	1219	1331	1460
VSBT2718FH	667	752	836	934	1018	1119	1257	1374	1504
VSBT3018FH	727	790	877	979	1073	1173	1320	1446	1583
VSBT3318FH	769	833	930	1039	1136	1244	1400	1534	1678
VSBT3618FH	793	855	952	1068	1164	1274	1434	1569	1717
VSBT4218FH	882	952	1060	1190	1304	1427	1607	1761	1930
VSBT4818FH	921	994	1108	1250	1365	1499	1686	1851	2026

# Vanity Cabinets : Sink Bases

FOR ALL VANITY SINK BASE CABINETS

- Tilt-tray not available with Full-Height Doors
- Price includes a matching Touch-Up Kit
- No line boring

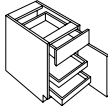


## Tilt-out Tray Option

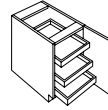
Add a factory-installed Tilt-out storage tray in Plastic or Stainless Steel

SKU	List Price
TILT P	132
TILT S	225

## Vanity Pull-out Option (factory installed)



Maximum Number of Pull-outs:  
 2 in a Vanity with drawer.  
 4 in a Vanity without drawer.  
 3 in a Tall Vanity with drawer.  
 5 in a Tall Vanity without drawer.



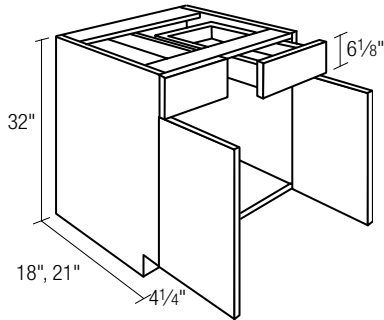
When one Pull-out is ordered it is placed in the bottom of the cabinet and the shelf remains.

When two or more Pull-outs are ordered the shelf is removed.

Kessebohmer Pull-outs are not available in modified widths, only available in 24" depths.

Prices are per Pull-out.

	SKU	List Price
DOVETAIL PULL-OUT W/SOFT CLOSE IN BIRCH		
Cabinets 12" to 21" wide	DOVEPO	176
Cabinets over 21" wide	DOVEPOW	203
DOVETAIL PULL-OUT W/SOFT CLOSE IN WALNUT		
Cabinets 12" to 21" wide	DOVEPO	231
Cabinets over 21" wide	DOVEPOW	264
METAL PULL-OUT		
Cabinets 12" to 21" wide	METALPO	311
Cabinets over 21" wide	METALPOW	338
KESSEBOHMER PULL-OUT		
Cabinets 15", 18" & 21" wide	KSBPO	917
Cabinets 24" wide	KSBPOW	971



- Designate "-L" or "-R" to identify the side with the FALSE drawer front (left shown)

## Offset Vanity Sink Base

Price Grade	1	2	3	4	5	6	7	8	9
-------------	---	---	---	---	---	---	---	---	---

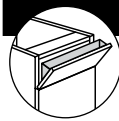
### Offset Vanity Sink Base – 24"-48" Wide

VSB24FF	902	981	1057	1152	1235	1327	1457	1568	1693
VSB27FF	922	1003	1087	1184	1268	1358	1496	1616	1741
VSB30FF	984	1036	1127	1228	1318	1422	1565	1690	1823
VSB33FF	1024	1084	1175	1281	1382	1488	1636	1768	1911
VSB36FF	1039	1105	1203	1315	1416	1522	1680	1812	1962
VSB39FF	1086	1155	1260	1380	1486	1601	1768	1911	2068
VSB42FF	1133	1205	1315	1444	1555	1680	1856	2008	2174
VSB45FF	1155	1227	1339	1470	1586	1710	1893	2049	2219
VSB48FF	1177	1251	1364	1495	1616	1740	1930	2092	2266
VSB2418FF	902	981	1057	1152	1235	1327	1457	1568	1693
VSB2718FF	922	1003	1087	1184	1268	1358	1496	1616	1741
VSB3018FF	984	1036	1127	1228	1318	1422	1565	1690	1823
VSB3318FF	1024	1084	1175	1281	1382	1488	1636	1768	1911
VSB3618FF	1039	1105	1203	1315	1416	1522	1680	1812	1962
VSB3918FF	1086	1155	1260	1380	1486	1601	1768	1911	2068
VSB4218FF	1133	1205	1315	1444	1555	1680	1856	2008	2174
VSB4518FF	1155	1227	1339	1470	1586	1710	1893	2049	2219
VSB4818FF	1177	1251	1364	1495	1616	1740	1930	2092	2266

# Vanity Cabinets : Sink Bases

FOR ALL VANITY SINK BASE CABINETS

- Tilt-tray not available with Full-Height Doors
- Price includes a matching Touch-Up Kit
- No line boring

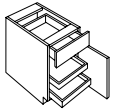


## Tilt-out Tray Option

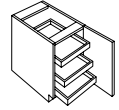
Add a factory-installed Tilt-out storage tray in Plastic or Stainless Steel

SKU	List Price
TILT P	132
TILT S	225

## Vanity Pull-out Option (factory installed)



Maximum Number of Pull-outs:  
 2 in a Vanity with drawer.  
 4 in a Vanity without drawer.  
 3 in a Tall Vanity with drawer.  
 5 in a Tall Vanity without drawer.



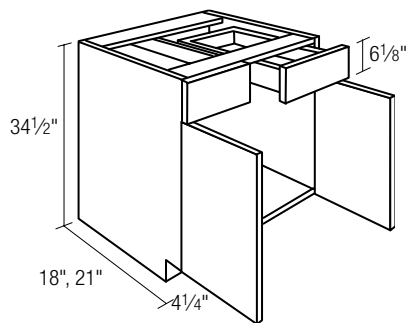
When one Pull-out is ordered it is placed in the bottom of the cabinet and the shelf remains.

When two or more Pull-outs are ordered the shelf is removed.

Kessebohmer Pull-outs are not available in modified widths, only available in 24" depths.

Prices are per Pull-out.

SKU	List Price
DOVETAIL PULL-OUT W/SOFT CLOSE IN BIRCH	
Cabinets 12" to 21" wide	DOVEPO 176
Cabinets over 21" wide	DOVEPOW 203
DOVETAIL PULL-OUT W/SOFT CLOSE IN WALNUT	
Cabinets 12" to 21" wide	DOVEPO 231
Cabinets over 21" wide	DOVEPOW 264
METAL PULL-OUT	
Cabinets 12" to 21" wide	METALPO 311
Cabinets over 21" wide	METALPOW 338
KESSEBOHMER PULL-OUT	
Cabinets 15", 18" & 21" wide	KSBPO 917
Cabinets 24" wide	KSBPOW 971



- Designate "-L" or "-R" to identify the side with the FALSE drawer front (left shown)

## Offset Vanity Sink Base

Price Grade	1	2	3	4	5	6	7	8	9
-------------	---	---	---	---	---	---	---	---	---

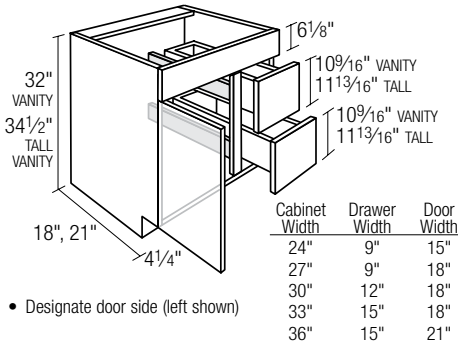
### Tall Offset Vanity Sink Base – 24"-48" Wide

VSBT24FF	910	991	1074	1168	1253	1346	1483	1595	1722
VSBT27FF	931	1016	1100	1197	1281	1382	1521	1636	1768
VSBT30FF	991	1053	1140	1243	1336	1436	1582	1710	1847
VSBT33FF	1032	1096	1193	1302	1398	1507	1662	1797	1941
VSBT36FF	1055	1118	1216	1331	1428	1538	1697	1832	1981
VSBT39FF	1100	1167	1270	1391	1497	1613	1784	1928	2086
VSBT42FF	1145	1216	1323	1453	1568	1689	1871	2024	2193
VSBT45FF	1165	1236	1348	1484	1598	1725	1911	2070	2242
VSBT48FF	1184	1257	1371	1513	1628	1762	1949	2114	2290
VSBT2418FF	910	991	1074	1168	1253	1346	1483	1595	1722
VSBT2718FF	931	1016	1100	1197	1281	1382	1521	1636	1768
VSBT3018FF	991	1053	1140	1243	1336	1436	1582	1710	1847
VSBT3318FF	1032	1096	1193	1302	1398	1507	1662	1797	1941
VSBT3618FF	1055	1118	1216	1331	1428	1538	1697	1832	1981
VSBT3918FF	1100	1167	1270	1391	1497	1613	1784	1928	2086
VSBT4218FF	1145	1216	1323	1453	1568	1689	1871	2024	2193
VSBT4518FF	1165	1236	1348	1484	1598	1725	1911	2070	2242
VSBT4818FF	1184	1257	1371	1513	1628	1762	1949	2114	2290

# Vanity Cabinets : Sink Bases

FOR ALL VANITY SINK BASE CABINETS WITH DRAWERS

- Tilt-outs not available
- Full-Height Doors not available
- Pull-outs not available
- No line boring
- Deep Metal Drawers are not available on cabinets less than 15" deep
- Price includes a matching Touch-Up Kit
- Modified width requires drawing
- Vertical grain slab doors are not available on cabinets over 48" wide



- Designate door side (left shown)

## Vanity Sink Bases with Drawers

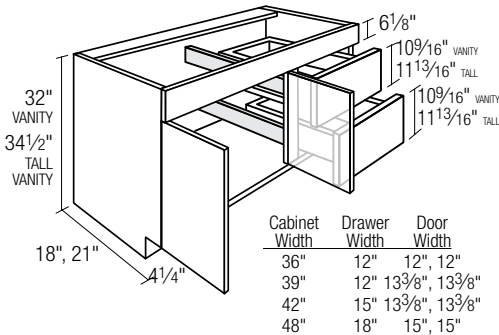
Price Grade	1	2	3	4	5	6	7	8	9
-------------	---	---	---	---	---	---	---	---	---

### Vanity Sink Base – 24"-36" Wide, Side Drawers

VAN24	717	773	860	964	1051	1147	1288	1408	1542
VAN27	750	809	904	1012	1104	1206	1353	1484	1621
VAN30	783	847	947	1055	1158	1263	1419	1555	1703
VAN33	825	891	993	1112	1217	1331	1498	1641	1795
VAN36	863	936	1045	1166	1277	1400	1574	1722	1891
VAN24-18	717	773	860	964	1051	1147	1288	1408	1542
VAN27-18	750	809	904	1012	1104	1206	1353	1484	1621
VAN30-18	783	847	947	1055	1158	1263	1419	1555	1703
VAN33-18	825	891	993	1112	1217	1331	1498	1641	1795
VAN36-18	863	936	1045	1166	1277	1400	1574	1722	1891

### Tall Vanity Sink Base – 24"-36" Wide, Side Drawers

VANT24	761	825	915	1023	1122	1223	1374	1501	1645
VANT27	797	862	960	1073	1177	1284	1444	1579	1731
VANT30	833	902	1007	1125	1231	1349	1513	1656	1816
VANT33	863	938	1046	1169	1278	1400	1574	1722	1891
VANT36	895	974	1087	1214	1325	1451	1635	1790	1962
VANT2418	761	825	915	1023	1122	1223	1374	1501	1645
VANT2718	797	862	960	1073	1177	1284	1444	1579	1731
VANT3018	833	902	1007	1125	1231	1349	1513	1656	1816
VANT3318	863	938	1046	1169	1278	1400	1574	1722	1891
VANT3618	895	974	1087	1214	1325	1451	1635	1790	1962



- Designate door side (left shown)
- Not recommended for Hampton door style; with upgraded features double-panel false drawer front does not align with door and drawers
- Vertical-grain drawer fronts on Thermofoil, Textured Melamine and UltraLux door styles is limited to 46 1/2" wide

## Vanity Sink Bases with Drawers

Price Grade	1	2	3	4	5	6	7	8	9
-------------	---	---	---	---	---	---	---	---	---

### Vanity Sink Base – 36"-48" Wide, Side Drawers

VAN36D	885	959	1064	1194	1309	1430	1610	1766	1934
VAN39D	905	981	1090	1220	1338	1465	1651	1808	1983
VAN42D	926	1004	1117	1250	1368	1500	1690	1850	2032
VAN48D	947	1024	1142	1278	1398	1538	1729	1892	2081
VAN36D18	885	959	1064	1194	1309	1430	1610	1766	1934
VAN39D18	905	981	1090	1220	1338	1465	1651	1808	1983
VAN42D18	926	1004	1117	1250	1368	1500	1690	1850	2032
VAN48D18	947	1024	1142	1278	1398	1538	1729	1892	2081

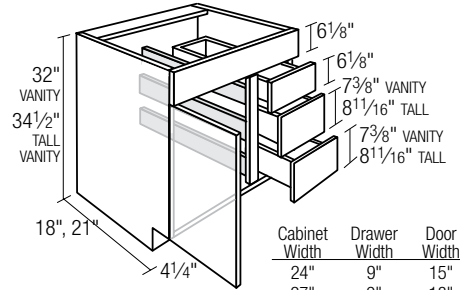
### Tall Vanity Sink Base – 36"-48" Wide, Side Drawers

VANT36D	924	1000	1113	1254	1368	1503	1690	1856	2035
VANT39D	944	1022	1138	1278	1396	1533	1724	1893	2076
VANT42D	961	1045	1163	1303	1427	1563	1757	1929	2116
VANT48D	979	1068	1185	1328	1455	1594	1793	1966	2158
VANT36D18	924	1000	1113	1254	1368	1503	1690	1856	2035
VANT39D18	944	1022	1138	1278	1396	1533	1724	1893	2076
VANT42D18	961	1045	1163	1303	1427	1563	1757	1929	2116
VANT48D18	979	1068	1185	1328	1455	1594	1793	1966	2158

# Vanity Cabinets : Sink Bases

FOR ALL VANITY SINK BASE CABINETS WITH DRAWERS

- Tilt-outs not available
- Full-Height Doors not available
- Pull-outs not available
- No line boring
- Deep Metal Drawers are not available on cabinets less than 15" deep
- Price includes a matching Touch-Up Kit
- Modified width requires drawing
- Vertical grain slab doors are not available on cabinets over 48" wide



- Designate "-L" or "-R" to identify the side with Door (left shown)
- When modifying height, door and bottom drawers will increase in height; top drawer remains 6 1/8"

## Vanity Sink Base with 1 Door, 3 Drawers on One End

Price Grade	1	2	3	4	5	6	7	8	9
-------------	---	---	---	---	---	---	---	---	---

### Vanity Sink Base – 24"-36" Wide, 1 Door, 3 Drawers on One End

VAN324	893	949	1036	1140	1227	1324	1464	1583	1717
VAN327	928	987	1081	1188	1280	1382	1528	1659	1796
VAN330	960	1023	1123	1231	1334	1439	1597	1732	1880
VAN333	1002	1068	1169	1289	1392	1507	1674	1817	1971
VAN336	1041	1112	1221	1341	1453	1576	1750	1899	2068
VAN32418	893	949	1036	1140	1227	1324	1464	1583	1717
VAN32718	928	987	1081	1188	1280	1382	1528	1659	1796
VAN33018	960	1023	1123	1231	1334	1439	1597	1732	1880
VAN33318	1002	1068	1169	1289	1392	1507	1674	1817	1971
VAN33618	1041	1112	1221	1341	1453	1576	1750	1899	2068

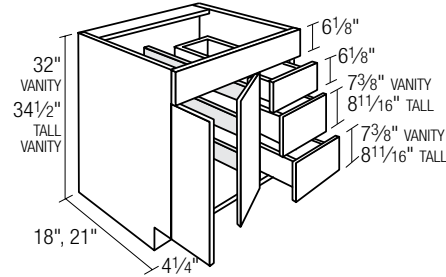
### Tall Vanity Sink Base – 24"-36" Wide, 1 Door, 3 Drawers on One End

VANT324	937	1002	1091	1199	1298	1400	1549	1678	1822
VANT327	973	1039	1137	1250	1353	1462	1621	1755	1907
VANT330	1009	1078	1183	1301	1408	1524	1689	1832	1992
VANT333	1041	1114	1222	1347	1455	1576	1750	1899	2068
VANT336	1071	1150	1263	1389	1501	1628	1811	1966	2137
VANT32418	937	1002	1091	1199	1298	1400	1549	1678	1822
VANT32718	973	1039	1137	1250	1353	1462	1621	1755	1907
VANT33018	1009	1078	1183	1301	1408	1524	1689	1832	1992
VANT33318	1041	1114	1222	1347	1455	1576	1750	1899	2068
VANT33618	1071	1150	1263	1389	1501	1628	1811	1966	2137

# Vanity Cabinets : Sink Bases

FOR ALL VANITY SINK BASE CABINETS WITH DRAWERS

- Tilt-outs not available
- Full-Height Doors not available
- Pull-outs not available
- No line boring
- Deep Metal Drawers are not available on cabinets less than 15" deep
- Price includes a matching Touch-Up Kit
- Modified width requires drawing
- Vertical grain slab doors are not available on cabinets over 48" wide



- Designate "-L" or "-R" to identify the side with Doors (left shown)
- When modifying height, door and bottom drawers will increase in height; top drawer remains 6 1/8"

Cabinet Width	Drawer Width	Door Width
36"	12"	12" (2)
39"	12"	13 1/2" (2)
42"	15"	13 1/2" (2)
45"	18"	13 1/2" (2)
48"	18"	15" (2)
51"	21"	15" (2)
54"	21"	16 1/2" (2)
57"	24"	16 1/2" (2)
60"	24"	18" (2)

## Vanity Sink Base with 2 Doors, 3 Drawers on One End

Price Grade	1	2	3	4	5	6	7	8	9
<b>Vanity Sink Base – 36"-60" Wide, 2 Doors, 3 Drawers on One End</b>									
VAN336D	1062	1136	1241	1369	1486	1605	1788	1942	2110
VAN339D	1082	1158	1267	1395	1515	1641	1827	1984	2159
VAN342D	1102	1180	1294	1427	1545	1677	1866	2026	2209
VAN345D	1112	1190	1305	1440	1560	1695	1886	2048	2234
VAN348D	1123	1200	1318	1455	1575	1713	1906	2069	2258
VAN351D	1179	1261	1384	1527	1653	1799	2000	2172	2371
VAN354D	1237	1324	1453	1603	1736	1888	2101	2281	2489
VAN357D	1297	1386	1522	1680	1819	1978	2200	2390	2608
VAN360D	1356	1449	1593	1756	1901	2069	2300	2498	2725
VAN336D18	1062	1136	1241	1369	1486	1605	1788	1942	2110
VAN339D18	1082	1158	1267	1395	1515	1641	1827	1984	2159
VAN342D18	1102	1180	1294	1427	1545	1677	1866	2026	2209
VAN345D18	1112	1190	1305	1440	1560	1695	1886	2048	2234
VAN348D18	1123	1200	1318	1455	1575	1713	1906	2069	2258
VAN351D18	1179	1261	1384	1527	1653	1799	2000	2172	2371
VAN354D18	1237	1324	1453	1603	1736	1888	2101	2281	2489
VAN357D18	1297	1386	1522	1680	1819	1978	2200	2390	2608
VAN360D18	1356	1449	1593	1756	1901	2069	2300	2498	2725

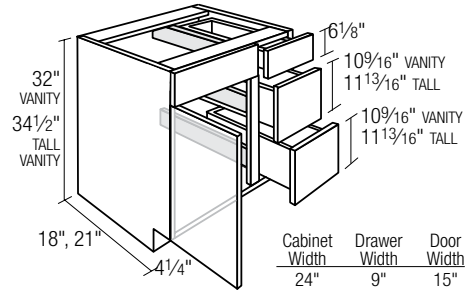
## Tall Vanity Sink Base – 36"-60" Wide, 2 Doors, 3 Drawers on One End

VANT336D	1101	1177	1290	1431	1545	1680	1866	2032	2211
VANT339D	1120	1198	1313	1455	1574	1710	1901	2071	2252
VANT342D	1138	1221	1338	1480	1602	1739	1934	2105	2293
VANT345D	1146	1233	1351	1492	1616	1754	1952	2124	2314
VANT348D	1156	1244	1361	1503	1631	1769	1969	2141	2334
VANT351D	1237	1324	1453	1603	1736	1888	2101	2281	2489
VANT354D	1300	1389	1526	1684	1822	1983	2206	2396	2613
VANT357D	1361	1457	1599	1764	1910	2077	2310	2509	2738
VANT360D	1422	1522	1671	1844	1996	2172	2416	2623	2862
VANT336D18	1101	1177	1290	1431	1545	1680	1866	2032	2211
VANT339D18	1120	1198	1313	1455	1574	1710	1901	2071	2252
VANT342D18	1138	1221	1338	1480	1602	1739	1934	2105	2293
VANT345D18	1146	1233	1351	1492	1616	1754	1952	2124	2314
VANT348D18	1156	1244	1361	1503	1631	1769	1969	2141	2334
VANT351D18	1237	1324	1453	1603	1736	1888	2101	2281	2489
VANT354D18	1300	1389	1526	1684	1822	1983	2206	2396	2613
VANT357D18	1361	1457	1599	1764	1910	2077	2310	2509	2738
VANT360D18	1422	1522	1671	1844	1996	2172	2416	2623	2862

# Vanity Cabinets : Sink Bases

FOR ALL VANITY SINK BASE CABINETS WITH DRAWERS

- Tilt-outs not available
- Full-Height Doors not available
- Pull-outs not available
- No line boring
- Deep Metal Drawers are not available on cabinets less than 15" deep
- Price includes a matching Touch-Up Kit
- Modified width requires drawing
- Vertical grain slab doors are not available on cabinets over 48" wide



Cabinet Width	Drawer Width	Door Width
24"	9"	15"
27"	9"	18"
30"	12"	18"
33"	15"	18"
36"	15"	21"

- Designate "-L" or "-R" to identify the side with Door (left shown)
- When modifying height, door and bottom drawers will increase in height; top drawer remains 6 1/8"

## Vanity Sink Base with 1 Door, 3 Drawers, Split Top

Price Grade	1	2	3	4	5	6	7	8	9
-------------	---	---	---	---	---	---	---	---	---

### Vanity Sink Base – 24"-36" Wide, 1 Door, 3 Drawers, Split Top

V3DB24	1002	1057	1145	1248	1336	1433	1572	1693	1827
V3DB27	1035	1095	1189	1297	1389	1491	1637	1768	1906
V3DB30	1069	1131	1231	1339	1443	1548	1705	1839	1988
V3DB33	1110	1177	1278	1396	1501	1616	1782	1926	2080
V3DB36	1148	1221	1330	1450	1562	1684	1858	2007	2177
V3DB2418	1002	1057	1145	1248	1336	1433	1572	1693	1827
V3DB2718	1035	1095	1189	1297	1389	1491	1637	1768	1906
V3DB3018	1069	1131	1231	1339	1443	1548	1705	1839	1988
V3DB3318	1110	1177	1278	1396	1501	1616	1782	1926	2080
V3DB3618	1148	1221	1330	1450	1562	1684	1858	2007	2177

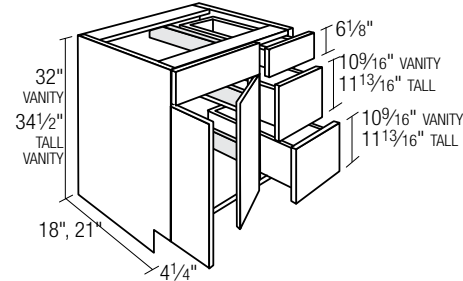
### Tall Vanity Sink Base – 24"-36" Wide, 1 Door, 3 Drawers, Split Top

VT3DB24	1046	1110	1200	1308	1407	1508	1658	1787	1930
VT3DB27	1082	1147	1245	1358	1462	1570	1729	1864	2016
VT3DB30	1118	1187	1293	1410	1517	1633	1797	1941	2101
VT3DB33	1148	1223	1331	1455	1563	1684	1858	2007	2177
VT3DB36	1180	1258	1373	1498	1609	1737	1920	2075	2246
VT3DB2418	1046	1110	1200	1308	1407	1508	1658	1787	1930
VT3DB2718	1082	1147	1245	1358	1462	1570	1729	1864	2016
VT3DB3018	1118	1187	1293	1410	1517	1633	1797	1941	2101
VT3DB3318	1148	1223	1331	1455	1563	1684	1858	2007	2177
VT3DB3618	1180	1258	1373	1498	1609	1737	1920	2075	2246

# Vanity Cabinets : Sink Bases

FOR ALL VANITY SINK BASE CABINETS WITH DRAWERS

- Tilt-outs not available
- Full-Height Doors not available
- Pull-outs not available
- No line boring
- Deep Metal Drawers are not available on cabinets less than 15" deep
- Price includes a matching Touch-Up Kit
- Modified width requires drawing
- Vertical grain slab doors are not available on cabinets over 48" wide



- Designate "-L" or "-R" to identify the side with Doors (left shown)
- When modifying height, door and bottom drawers will increase in height; top drawer remains 6 1/8"

Cabinet Width	Drawer Width	Door Width
36"	12"	12" (2)
39"	12"	13 1/2" (2)
42"	15"	13 1/2" (2)
45"	18"	13 1/2" (2)
48"	18"	15" (2)
51"	21"	15" (2)
54"	21"	16 1/2" (2)
57"	24"	16 1/2" (2)
60"	24"	18" (2)

## Vanity Sink Base with 2 Doors, 3 Drawers, Split Top

Price Grade	1	2	3	4	5	6	7	8	9
<b>Vanity Sink Base – 36"-60" Wide, 2 Doors, 3 Drawers, Split Top</b>									
V3DB36D	1262	1335	1441	1570	1685	1806	1988	2141	2310
V3DB39D	1281	1358	1467	1597	1715	1842	2026	2185	2360
V3DB42D	1302	1380	1493	1626	1746	1876	2067	2227	2408
V3DB45D	1312	1390	1506	1641	1760	1894	2085	2247	2433
V3DB48D	1323	1401	1519	1655	1775	1913	2105	2269	2458
V3DB51D	1389	1470	1595	1737	1863	2009	2211	2382	2581
V3DB54D	1459	1544	1674	1824	1957	2109	2321	2501	2710
V3DB57D	1527	1618	1754	1911	2050	2210	2432	2621	2840
V3DB60D	1598	1691	1833	1998	2142	2310	2542	2740	2967
V3DB36D18	1262	1335	1441	1570	1685	1806	1988	2141	2310
V3DB39D18	1281	1358	1467	1597	1715	1842	2026	2185	2360
V3DB42D18	1302	1380	1493	1626	1746	1876	2067	2227	2408
V3DB45D18	1312	1390	1506	1641	1760	1894	2085	2247	2433
V3DB48D18	1323	1401	1519	1655	1775	1913	2105	2269	2458
V3DB51D18	1389	1470	1595	1737	1863	2009	2211	2382	2581
V3DB54D18	1459	1544	1674	1824	1957	2109	2321	2501	2710
V3DB57D18	1527	1618	1754	1911	2050	2210	2432	2621	2840
V3DB60D18	1598	1691	1833	1998	2142	2310	2542	2740	2967

## Tall Vanity Sink Base – 36"-60" Wide, 2 Doors, 3 Drawers, Split Top

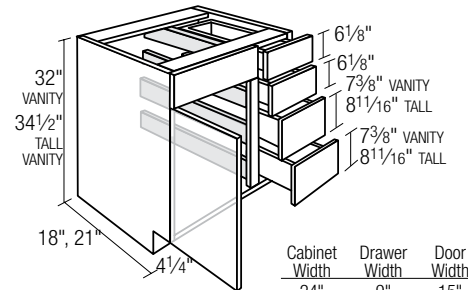
VT3DB36D	1301	1377	1490	1631	1746	1881	2067	2233	2410
VT3DB39D	1321	1398	1514	1655	1774	1910	2101	2270	2453
VT3DB42D	1337	1421	1540	1680	1803	1940	2134	2306	2494
VT3DB45D	1348	1433	1550	1691	1817	1954	2152	2324	2514
VT3DB48D	1356	1444	1562	1704	1831	1969	2169	2343	2535
VT3DB51D	1459	1544	1674	1824	1957	2109	2321	2501	2710
VT3DB54D	1531	1622	1757	1915	2054	2215	2437	2627	2846
VT3DB57D	1604	1698	1842	2007	2153	2320	2553	2751	2981
VT3DB60D	1678	1776	1925	2098	2249	2426	2669	2877	3117
VT3DB36D18	1301	1377	1490	1631	1746	1881	2067	2233	2410
VT3DB39D18	1321	1398	1514	1655	1774	1910	2101	2270	2453
VT3DB42D18	1337	1421	1540	1680	1803	1940	2134	2306	2494
VT3DB45D18	1348	1433	1550	1691	1817	1954	2152	2324	2514
VT3DB48D18	1356	1444	1562	1704	1831	1969	2169	2343	2535
VT3DB51D18	1459	1544	1674	1824	1957	2109	2321	2501	2710
VT3DB54D18	1531	1622	1757	1915	2054	2215	2437	2627	2846
VT3DB57D18	1604	1698	1842	2007	2153	2320	2553	2751	2981
VT3DB60D18	1678	1776	1925	2098	2249	2426	2669	2877	3117



# Vanity Cabinets : Sink Bases

FOR ALL VANITY SINK BASE CABINETS WITH DRAWERS

- Tilt-outs not available
- Full-Height Doors not available
- Pull-outs not available
- No line boring
- Deep Metal Drawers are not available on cabinets less than 15" deep
- Price includes a matching Touch-Up Kit
- Modified width requires drawing
- Vertical grain slab doors are not available on cabinets over 48" wide



- Designate "-L" or "-R" to identify the side with Door (left shown)
- When modifying height, door and bottom drawers will increase in height; top drawer remains 6 1/8"

Cabinet Width	Drawer Width	Door Width
24"	9"	15"
27"	9"	18"
30"	12"	18"
33"	15"	18"
36"	15"	21"

## Vanity Sink Base with 1 Door, 4 Drawers, Split Top

Price Grade	1	2	3	4	5	6	7	8	9
-------------	---	---	---	---	---	---	---	---	---

### Vanity Sink Base – 24"-36" Wide, 1 Door, 4 Drawers, Split Top

V4DB24	1178	1234	1322	1424	1513	1608	1749	1869	2002
V4DB27	1213	1272	1365	1472	1566	1667	1814	1944	2081
V4DB30	1245	1308	1408	1517	1620	1724	1882	2017	2163
V4DB33	1285	1353	1455	1574	1678	1792	1960	2102	2257
V4DB36	1325	1396	1506	1627	1738	1861	2035	2183	2352
V4DB2418	1178	1234	1322	1424	1513	1608	1749	1869	2002
V4DB2718	1213	1272	1365	1472	1566	1667	1814	1944	2081
V4DB3018	1245	1308	1408	1517	1620	1724	1882	2017	2163
V4DB3318	1285	1353	1455	1574	1678	1792	1960	2102	2257
V4DB3618	1325	1396	1506	1627	1738	1861	2035	2183	2352

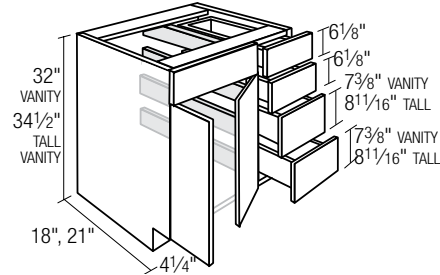
### Tall Vanity Sink Base – 24"-36" Wide, 1 Door, 4 Drawers, Split Top

VT4DB24	1222	1285	1377	1485	1582	1684	1834	1963	2106
VT4DB27	1257	1324	1421	1534	1637	1747	1906	2041	2191
VT4DB30	1295	1362	1468	1586	1693	1809	1974	2116	2276
VT4DB33	1325	1400	1507	1631	1739	1861	2035	2183	2352
VT4DB36	1356	1435	1548	1674	1787	1913	2097	2250	2423
VT4DB2418	1222	1285	1377	1485	1582	1684	1834	1963	2106
VT4DB2718	1257	1324	1421	1534	1637	1747	1906	2041	2191
VT4DB3018	1295	1362	1468	1586	1693	1809	1974	2116	2276
VT4DB3318	1325	1400	1507	1631	1739	1861	2035	2183	2352
VT4DB3618	1356	1435	1548	1674	1787	1913	2097	2250	2423

# Vanity Cabinets : Sink Bases

FOR ALL VANITY SINK BASE CABINETS WITH DRAWERS

- Tilt-outs not available
- Full-Height Doors not available
- Pull-outs not available
- No line boring
- Deep Metal Drawers are not available on cabinets less than 15" deep
- Price includes a matching Touch-Up Kit
- Modified width requires drawing
- Vertical grain slab doors are not available on cabinets over 48" wide



- Designate "-L" or "-R" to identify the side with Doors (left shown)
- When modifying height, door and bottom drawers will increase in height; top drawer remains 6 1/8"

Cabinet Width	Drawer Width	Door Width
36"	12"	12" (2)
39"	12"	13 1/2" (2)
42"	15"	13 1/2" (2)
45"	18"	13 1/2" (2)
48"	18"	15" (2)
51"	21"	15" (2)
54"	21"	16 1/2" (2)
57"	24"	16 1/2" (2)
60"	24"	18" (2)

## Vanity Sink Base with 2 Doors, 4 Drawers, Split Top

Price Grade	1	2	3	4	5	6	7	8	9
<b>Vanity Sink Base – 36"-60" Wide, 2 Doors, 4 Drawers, Split Top</b>									
V4DB36D	1438	1512	1617	1747	1862	1982	2163	2319	2486
V4DB39D	1458	1534	1643	1773	1891	2018	2204	2361	2536
V4DB42D	1478	1556	1670	1803	1921	2053	2243	2403	2585
V4DB45D	1489	1567	1682	1817	1937	2072	2263	2425	2609
V4DB48D	1499	1577	1695	1831	1950	2090	2282	2445	2634
V4DB51D	1574	1656	1779	1922	2049	2193	2396	2567	2766
V4DB54D	1653	1738	1869	2019	2152	2303	2515	2695	2904
V4DB57D	1732	1821	1957	2114	2253	2414	2635	2824	3042
V4DB60D	1810	1904	2047	2211	2355	2523	2755	2953	3180
V4DB36D18	1438	1512	1617	1747	1862	1982	2163	2319	2486
V4DB39D18	1458	1534	1643	1773	1891	2018	2204	2361	2536
V4DB42D18	1478	1556	1670	1803	1921	2053	2243	2403	2585
V4DB45D18	1489	1567	1682	1817	1937	2072	2263	2425	2609
V4DB48D18	1499	1577	1695	1831	1950	2090	2282	2445	2634
V4DB51D18	1574	1656	1779	1922	2049	2193	2396	2567	2766
V4DB54D18	1653	1738	1869	2019	2152	2303	2515	2695	2904
V4DB57D18	1732	1821	1957	2114	2253	2414	2635	2824	3042
V4DB60D18	1810	1904	2047	2211	2355	2523	2755	2953	3180

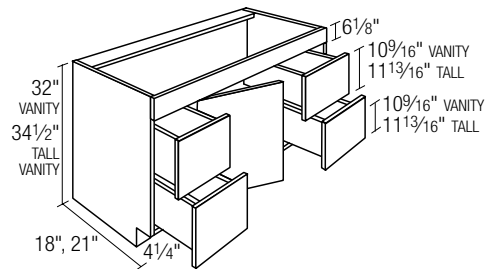
## Tall Vanity Sink Base – 36"-60" Wide, 2 Doors, 4 Drawers, Split Top

VT4DB36D	1476	1552	1666	1807	1921	2056	2243	2408	2587
VT4DB39D	1496	1575	1690	1831	1949	2085	2276	2446	2629
VT4DB42D	1514	1598	1715	1856	1978	2115	2310	2482	2669
VT4DB45D	1523	1608	1727	1867	1993	2131	2328	2500	2690
VT4DB48D	1531	1621	1738	1881	2007	2147	2346	2519	2711
VT4DB51D	1653	1738	1869	2019	2152	2303	2515	2695	2904
VT4DB54D	1735	1826	1962	2120	2259	2419	2641	2830	3049
VT4DB57D	1818	1912	2055	2220	2366	2534	2767	2965	3194
VT4DB60D	1901	1999	2149	2321	2473	2649	2894	3100	3340
VT4DB36D18	1476	1552	1666	1807	1921	2056	2243	2408	2587
VT4DB39D18	1496	1575	1690	1831	1949	2085	2276	2446	2629
VT4DB42D18	1514	1598	1715	1856	1978	2115	2310	2482	2669
VT4DB45D18	1523	1608	1727	1867	1993	2131	2328	2500	2690
VT4DB48D18	1531	1621	1738	1881	2007	2147	2346	2519	2711
VT4DB51D18	1653	1738	1869	2019	2152	2303	2515	2695	2904
VT4DB54D18	1735	1826	1962	2120	2259	2419	2641	2830	3049
VT4DB57D18	1818	1912	2055	2220	2366	2534	2767	2965	3194
VT4DB60D18	1901	1999	2149	2321	2473	2649	2894	3100	3340

# Vanity Cabinets : Sink Bases

FOR ALL VANITY SINK BASE CABINETS WITH DRAWERS

- Tilt-outs not available
- Full-Height Doors not available
- Pull-outs not available
- No line boring
- Deep Metal Drawers are not available on cabinets less than 15" deep
- Price includes a matching Touch-Up Kit
- Modified width requires drawing
- Vertical grain slab doors are not available on cabinets over 48" wide



- Designate L/R hinge (left shown)
- When modifying height, door and bottom drawers will increase in height; false drawer front at top remains 6 1/8"

Cabinet Width	Drawer Width	Door Width
30"	9" (2)	12"
33"	9" (2)	15"
36"	9" (2)	18"
39"	12" (2)	15"
42"	12" (2)	18"
45"	12" (2)	21"
48"	12" (2)	24"
51"	13 1/2" (2)	24"
54"	15" (2)	24"
57"	16 1/2" (2)	24"
60"	18" (2)	24"

## Vanity Sink Base with 1 Door, 2 Drawers Each End

Price Grade	1	2	3	4	5	6	7	8	9
<b>Vanity Sink Base – 30"-60" Wide, 1 Door, 2 Drawers Each End</b>									
DV30	1137	1199	1299	1408	1511	1616	1773	1908	2055
DV33	1178	1244	1347	1465	1569	1683	1850	1994	2149
DV36	1217	1289	1396	1519	1629	1752	1926	2075	2244
DV39	1255	1333	1448	1572	1690	1820	2001	2156	2341
DV42	1295	1378	1500	1626	1751	1889	2077	2237	2436
DV45	1333	1422	1551	1680	1811	1959	2153	2319	2532
DV48	1373	1467	1603	1734	1872	2026	2228	2400	2629
DV51	1440	1541	1683	1820	1966	2128	2340	2520	2761
DV54	1513	1617	1767	1912	2064	2235	2456	2646	2898
DV57	1584	1695	1851	2002	2162	2341	2574	2771	3036
DV60	1657	1771	1936	2094	2261	2447	2690	2898	3174
DV3018	1137	1199	1299	1408	1511	1616	1773	1908	2055
DV3318	1178	1244	1347	1465	1569	1683	1850	1994	2149
DV3618	1217	1289	1396	1519	1629	1752	1926	2075	2244
DV3918	1255	1333	1448	1572	1690	1820	2001	2156	2341
DV4218	1295	1378	1500	1626	1751	1889	2077	2237	2436
DV4518	1333	1422	1551	1680	1811	1959	2153	2319	2532
DV4818	1373	1467	1603	1734	1872	2026	2228	2400	2629
DV5118	1440	1541	1683	1820	1966	2128	2340	2520	2761
DV5418	1513	1617	1767	1912	2064	2235	2456	2646	2898
DV5718	1584	1695	1851	2002	2162	2341	2574	2771	3036
DV6018	1657	1771	1936	2094	2261	2447	2690	2898	3174

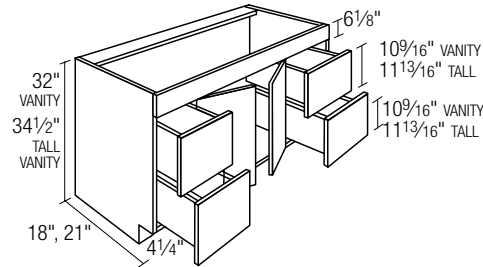
## Tall Vanity Sink Base – 30"-60" Wide, 1 Door, 2 Drawers Each End

DVT30	1185	1254	1359	1476	1583	1700	1865	2008	2168
DVT33	1217	1291	1398	1522	1631	1752	1926	2075	2244
DVT36	1247	1327	1439	1566	1678	1805	1988	2141	2314
DVT39	1278	1361	1482	1608	1724	1857	2049	2210	2383
DVT42	1309	1396	1522	1653	1771	1910	2111	2276	2454
DVT45	1339	1433	1563	1696	1818	1963	2174	2345	2523
DVT48	1371	1468	1604	1739	1865	2016	2235	2412	2593
DVT51	1513	1617	1767	1912	2064	2235	2456	2646	2898
DVT54	1588	1698	1856	2007	2167	2346	2579	2777	3043
DVT57	1663	1779	1944	2103	2270	2458	2702	2910	3188
DVT60	1739	1860	2032	2197	2374	2569	2825	3042	3332
DVT3018	1185	1254	1359	1476	1583	1700	1865	2008	2168
DVT3318	1217	1291	1398	1522	1631	1752	1926	2075	2244
DVT3618	1247	1327	1439	1566	1678	1805	1988	2141	2314
DVT3918	1278	1361	1482	1608	1724	1857	2049	2210	2383
DVT4218	1309	1396	1522	1653	1771	1910	2111	2276	2454
DVT4518	1339	1433	1563	1696	1818	1963	2174	2345	2523
DVT4818	1371	1468	1604	1739	1865	2016	2235	2412	2593
DVT5118	1513	1617	1767	1912	2064	2235	2456	2646	2898
DVT5418	1588	1698	1856	2007	2167	2346	2579	2777	3043
DVT5718	1663	1779	1944	2103	2270	2458	2702	2910	3188
DVT6018	1739	1860	2032	2197	2374	2569	2825	3042	3332

# Vanity Cabinets : Sink Bases

FOR ALL VANITY SINK BASE CABINETS WITH DRAWERS

- Tilt-outs not available
- Full-Height Doors not available
- Pull-outs not available
- No line boring
- Deep Metal Drawers are not available on cabinets less than 15" deep
- Price includes a matching Touch-Up Kit
- Modified width requires drawing
- Vertical grain slab doors are not available on cabinets over 48" wide



- When modifying height, door and bottom drawers will increase in height; false drawer front at top remains 6<sup>1</sup>/<sub>8</sub>"

Cabinet Width	Drawer Width	Door Width
42"	9" (2)	12" (2)
45"	10 <sup>1</sup> / <sub>2</sub> " (2)	12" (2)
48"	12" (2)	12" (2)
51"	12" (2)	13 <sup>1</sup> / <sub>2</sub> " (2)
54"	13 <sup>1</sup> / <sub>2</sub> " (2)	13 <sup>1</sup> / <sub>2</sub> " (2)
57"	13 <sup>1</sup> / <sub>2</sub> " (2)	15" (2)
60"	15" (2)	15" (2)

## Vanity Sink Base with 2 Doors, 2 Drawers Each End

Price Grade	1	2	3	4	5	6	7	8	9
-------------	---	---	---	---	---	---	---	---	---

## Vanity Sink Base – 42"-60" Wide, 2 Doors, 2 Drawers Each End

DV42D	1278	1356	1469	1602	1721	1853	2043	2204	2385
DV45D	1289	1366	1483	1616	1736	1871	2061	2223	2409
DV48D	1299	1377	1494	1631	1751	1889	2081	2245	2434
DV51D	1363	1445	1570	1712	1838	1984	2186	2357	2555
DV54D	1432	1518	1648	1797	1930	2082	2295	2475	2684
DV57D	1500	1590	1726	1884	2022	2182	2404	2593	2812
DV60D	1569	1662	1805	1969	2113	2281	2513	2711	2938
DV42D18	1278	1356	1469	1602	1721	1853	2043	2204	2385
DV45D18	1289	1366	1483	1616	1736	1871	2061	2223	2409
DV48D18	1299	1377	1494	1631	1751	1889	2081	2245	2434
DV51D18	1363	1445	1570	1712	1838	1984	2186	2357	2555
DV54D18	1432	1518	1648	1797	1930	2082	2295	2475	2684
DV57D18	1500	1590	1726	1884	2022	2182	2404	2593	2812
DV60D18	1569	1662	1805	1969	2113	2281	2513	2711	2938

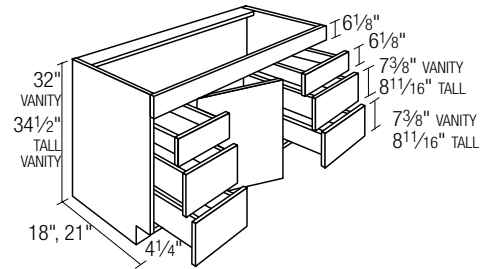
## Tall Vanity Sink Base – 42"-60" Wide, 2 Doors, 2 Drawers Each End

DVT42D	1313	1375	1490	1631	1750	1886	2077	2246	2428
DVT45D	1323	1396	1515	1656	1778	1915	2110	2282	2469
DVT48D	1332	1419	1539	1680	1807	1945	2147	2319	2511
DVT51D	1432	1518	1648	1797	1930	2082	2295	2475	2684
DVT54D	1503	1594	1731	1888	2026	2187	2409	2600	2818
DVT57D	1575	1669	1812	1977	2124	2291	2524	2722	2952
DVT60D	1646	1746	1894	2068	2219	2396	2639	2847	3087
DVT42D18	1313	1375	1490	1631	1750	1886	2077	2246	2428
DVT45D18	1323	1396	1515	1656	1778	1915	2110	2282	2469
DVT48D18	1332	1419	1539	1680	1807	1945	2147	2319	2511
DVT51D18	1432	1518	1648	1797	1930	2082	2295	2475	2684
DVT54D18	1503	1594	1731	1888	2026	2187	2409	2600	2818
DVT57D18	1575	1669	1812	1977	2124	2291	2524	2722	2952
DVT60D18	1646	1746	1894	2068	2219	2396	2639	2847	3087

# Vanity Cabinets : Sink Bases

FOR ALL VANITY SINK BASE CABINETS WITH DRAWERS

- Tilt-outs not available
- Full-Height Doors not available
- Pull-outs not available
- No line boring
- Deep Metal Drawers are not available on cabinets less than 15" deep
- Price includes a matching Touch-Up Kit
- Modified width requires drawing
- Vertical grain slab doors are not available on cabinets over 48" wide



- Designate L/R hinge (left shown)
- When modifying height, door and bottom drawers will increase in height; top drawer remains 6 1/8"

Cabinet Width	Drawer Width	Door Width
30"	9" (2)	12"
33"	9" (2)	15"
36"	9" (2)	18"
39"	12" (2)	15"
42"	12" (2)	18"
45"	12" (2)	21"
48"	12" (2)	24"
51"	13 1/2" (2)	24"
54"	15" (2)	24"
57"	16 1/2" (2)	24"
60"	18" (2)	24"

## Vanity Sink Base with 1 Door, 3 Drawers Each End

Price Grade	1	2	3	4	5	6	7	8	9
<b>Vanity Sink Base – 30"-60" Wide, 1 Door, 3 Drawers Each End</b>									
DV330	1489	1551	1652	1760	1863	1968	2125	2261	2407
DV333	1529	1597	1698	1817	1921	2036	2204	2346	2500
DV336	1569	1641	1750	1871	1982	2104	2277	2427	2596
DV339	1607	1685	1801	1925	2043	2174	2353	2509	2692
DV342	1646	1731	1853	1978	2103	2242	2429	2590	2789
DV345	1685	1775	1904	2032	2163	2310	2504	2670	2884
DV348	1724	1819	1956	2085	2224	2379	2580	2751	2981
DV351	1810	1911	2053	2190	2336	2498	2710	2889	3129
DV354	1901	2005	2156	2299	2453	2623	2845	3035	3286
DV357	1992	2102	2259	2409	2569	2747	2981	3178	3442
DV360	2082	2196	2361	2519	2686	2873	3116	3323	3599
DV33018	1489	1551	1652	1760	1863	1968	2125	2261	2407
DV33318	1529	1597	1698	1817	1921	2036	2204	2346	2500
DV33618	1569	1641	1750	1871	1982	2104	2277	2427	2596
DV33918	1607	1685	1801	1925	2043	2174	2353	2509	2692
DV34218	1646	1731	1853	1978	2103	2242	2429	2590	2789
DV34518	1685	1775	1904	2032	2163	2310	2504	2670	2884
DV34818	1724	1819	1956	2085	2224	2379	2580	2751	2981
DV35118	1810	1911	2053	2190	2336	2498	2710	2889	3129
DV35418	1901	2005	2156	2299	2453	2623	2845	3035	3286
DV35718	1992	2102	2259	2409	2569	2747	2981	3178	3442
DV36018	2082	2196	2361	2519	2686	2873	3116	3323	3599

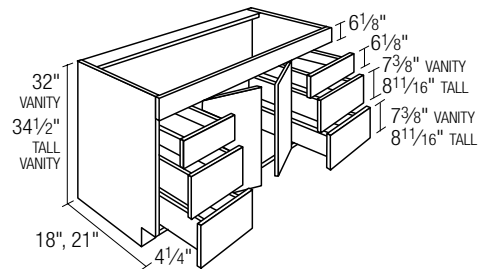
## Tall Vanity Sink Base – 30"-60" Wide, 1 Door, 3 Drawers Each End

DVT330	1539	1606	1712	1830	1937	2053	2217	2361	2521
DVT333	1569	1643	1751	1874	1983	2104	2277	2427	2596
DVT336	1600	1679	1792	1918	2029	2157	2341	2495	2666
DVT339	1631	1714	1833	1962	2077	2210	2402	2562	2736
DVT342	1661	1750	1874	2004	2124	2263	2463	2630	2805
DVT345	1693	1786	1915	2048	2170	2315	2525	2696	2876
DVT348	1723	1820	1957	2093	2217	2368	2587	2765	2945
DVT351	1901	2005	2156	2299	2453	2623	2845	3035	3286
DVT354	1996	2106	2264	2415	2575	2753	2987	3186	3452
DVT357	2092	2207	2372	2529	2697	2885	3129	3338	3616
DVT360	2186	2307	2480	2645	2821	3016	3272	3489	3780
DVT33018	1539	1606	1712	1830	1937	2053	2217	2361	2521
DVT33318	1569	1643	1751	1874	1983	2104	2277	2427	2596
DVT33618	1600	1679	1792	1918	2029	2157	2341	2495	2666
DVT33918	1631	1714	1833	1962	2077	2210	2402	2562	2736
DVT34218	1661	1750	1874	2004	2124	2263	2463	2630	2805
DVT34518	1693	1786	1915	2048	2170	2315	2525	2696	2876
DVT34818	1723	1820	1957	2093	2217	2368	2587	2765	2945
DVT35118	1901	2005	2156	2299	2453	2623	2845	3035	3286
DVT35418	1996	2106	2264	2415	2575	2753	2987	3186	3452
DVT35718	2092	2207	2372	2529	2697	2885	3129	3338	3616
DVT36018	2186	2307	2480	2645	2821	3016	3272	3489	3780

# Vanity Cabinets : Sink Bases

FOR ALL VANITY SINK BASE CABINETS WITH DRAWERS

- Tilt-outs not available
- Full-Height Doors not available
- Pull-outs not available
- No line boring
- Deep Metal Drawers are not available on cabinets less than 15" deep
- Price includes a matching Touch-Up Kit
- Modified width requires drawing
- Vertical grain slab doors are not available on cabinets over 48" wide



- When modifying width, door width will increase/decrease
- When modifying height, door and bottom drawers will increase in height; top drawer remains 6 1/8"

Cabinet Width	Drawer Width	Door Width
42"	9" (2)	12" (2)
45"	10 1/2" (2)	12" (2)
48"	12" (2)	12" (2)
51"	12" (2)	13 1/2" (2)
54"	13 1/2" (2)	13 1/2" (2)
57"	13 1/2" (2)	15" (2)
60"	15" (2)	15" (2)

## Vanity Sink Base with 2 Doors, 3 Drawers Each End

Price Grade	1	2	3	4	5	6	7	8	9
<b>Vanity Sink Base – 42"-60" Wide, 2 Doors, 3 Drawers Each End</b>									
DV342D	1631	1709	1822	1954	2074	2206	2396	2555	2738
DV345D	1641	1719	1834	1969	2088	2223	2415	2577	2762
DV348D	1652	1729	1847	1983	2103	2242	2434	2598	2787
DV351D	1734	1816	1939	2082	2209	2353	2555	2728	2926
DV354D	1820	1907	2036	2186	2319	2471	2684	2863	3072
DV357D	1908	1997	2133	2291	2429	2589	2812	3000	3218
DV360D	1994	2087	2231	2395	2540	2707	2938	3136	3365
DV342D18	1631	1709	1822	1954	2074	2206	2396	2555	2738
DV345D18	1641	1719	1834	1969	2088	2223	2415	2577	2762
DV348D18	1652	1729	1847	1983	2103	2242	2434	2598	2787
DV351D18	1734	1816	1939	2082	2209	2353	2555	2728	2926
DV354D18	1820	1907	2036	2186	2319	2471	2684	2863	3072
DV357D18	1908	1997	2133	2291	2429	2589	2812	3000	3218
DV360D18	1994	2087	2231	2395	2540	2707	2938	3136	3365

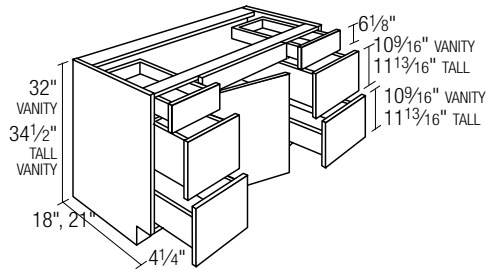
## Tall Vanity Sink Base – 42"-60" Wide, 2 Doors, 3 Drawers Each End

DVT342D	1666	1727	1843	1983	2102	2238	2429	2599	2780
DVT345D	1676	1750	1867	2008	2131	2268	2462	2634	2822
DVT348D	1684	1773	1890	2032	2159	2297	2498	2670	2862
DVT351D	1820	1907	2036	2186	2319	2471	2684	2863	3072
DVT354D	1912	2001	2138	2296	2434	2595	2818	3007	3226
DVT357D	2002	2097	2240	2405	2551	2718	2952	3150	3379
DVT360D	2094	2192	2342	2514	2666	2843	3087	3294	3534
DVT342D18	1666	1727	1843	1983	2102	2238	2429	2599	2780
DVT345D18	1676	1750	1867	2008	2131	2268	2462	2634	2822
DVT348D18	1684	1773	1890	2032	2159	2297	2498	2670	2862
DVT351D18	1820	1907	2036	2186	2319	2471	2684	2863	3072
DVT354D18	1912	2001	2138	2296	2434	2595	2818	3007	3226
DVT357D18	2002	2097	2240	2405	2551	2718	2952	3150	3379
DVT360D18	2094	2192	2342	2514	2666	2843	3087	3294	3534

# Vanity Cabinets : Sink Bases

FOR ALL VANITY SINK BASE CABINETS WITH DRAWERS

- Tilt-outs not available
- Full-Height Doors not available
- Pull-outs not available
- No line boring
- Deep Metal Drawers are not available on cabinets less than 15" deep
- Price includes a matching Touch-Up Kit
- Modified width requires drawing
- Vertical grain slab doors are not available on cabinets over 48" wide



- Designate L/R hinge (left shown)
- When modifying height, door and bottom drawers will increase in height; top drawer remains 6 1/8"

Cabinet Width	Drawer Width	Door Width
45"	10 1/2" (2)	24"
48"	12" (2)	24"
51"	13 1/2" (2)	24"
54"	15" (2)	24"
57"	16 1/2" (2)	24"
60"	18" (2)	24"

## Vanity Sink Base with 1 Door, 3 Drawers Each End, Split Top

Price Grade	1	2	3	4	5	6	7	8	9
-------------	---	---	---	---	---	---	---	---	---

### Vanity Sink Base – 45"-60" Wide, 1 Door, 3 Drawers Each End, Split Top

DV3DB45	1995	2083	2213	2342	2473	2619	2815	2980	3193
DV3DB48	2033	2129	2265	2396	2534	2688	2889	3062	3291
DV3DB51	2135	2235	2378	2515	2660	2822	3034	3214	3455
DV3DB54	2242	2347	2497	2640	2793	2963	3186	3375	3627
DV3DB57	2349	2458	2615	2766	2927	3105	3337	3536	3800
DV3DB60	2455	2570	2735	2892	3060	3246	3489	3697	3973
DV3DB4518	1995	2083	2213	2342	2473	2619	2815	2980	3193
DV3DB4818	2033	2129	2265	2396	2534	2688	2889	3062	3291
DV3DB5118	2135	2235	2378	2515	2660	2822	3034	3214	3455
DV3DB5418	2242	2347	2497	2640	2793	2963	3186	3375	3627
DV3DB5718	2349	2458	2615	2766	2927	3105	3337	3536	3800
DV3DB6018	2455	2570	2735	2892	3060	3246	3489	3697	3973

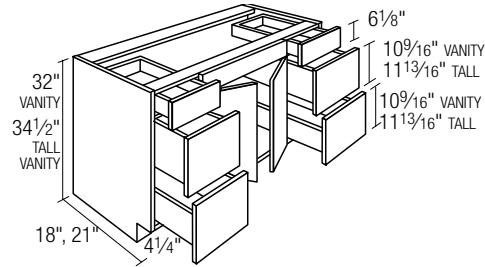
### Tall Vanity Sink Base – 45"-60" Wide, 1 Door, 3 Drawers Each End, Split Top

DVT3DB45	2001	2095	2224	2357	2480	2625	2834	3007	3185
DVT3DB48	2032	2130	2266	2401	2526	2676	2897	3073	3255
DVT3DB51	2242	2347	2497	2640	2793	2963	3186	3375	3627
DVT3DB54	2354	2463	2621	2772	2933	3111	3345	3543	3809
DVT3DB57	2466	2581	2746	2905	3072	3260	3505	3712	3990
DVT3DB60	2578	2699	2872	3037	3212	3408	3662	3881	4172
DVT3DB4518	2001	2095	2224	2357	2480	2625	2834	3007	3185
DVT3DB4818	2032	2130	2266	2401	2526	2676	2897	3073	3255
DVT3DB5118	2242	2347	2497	2640	2793	2963	3186	3375	3627
DVT3DB5418	2354	2463	2621	2772	2933	3111	3345	3543	3809
DVT3DB5718	2466	2581	2746	2905	3072	3260	3505	3712	3990
DVT3DB6018	2578	2699	2872	3037	3212	3408	3662	3881	4172

# Vanity Cabinets : Sink Bases

FOR ALL VANITY SINK BASE CABINETS WITH DRAWERS

- Tilt-outs not available
- Full-Height Doors not available
- Pull-outs not available
- No line boring
- Deep Metal Drawers are not available on cabinets less than 15" deep
- Price includes a matching Touch-Up Kit
- Modified width requires drawing
- Vertical grain slab doors are not available on cabinets over 48" wide



- When modifying height, door and bottom drawers will increase in height; top drawer remains 6 1/8"

Cabinet Width	Drawer Width	Door Width
42"	9" (2)	12" (2)
45"	10 1/2" (2)	12" (2)
48"	12" (2)	12" (2)
51"	12" (2)	13 1/2" (2)
54"	13 1/2" (2)	13 1/2" (2)
57"	13 1/2" (2)	15" (2)
60"	15" (2)	15" (2)

## Vanity Sink Base with 2 Doors, 3 Drawers Each End, Split Top

Price Grade	1	2	3	4	5	6	7	8	9
-------------	---	---	---	---	---	---	---	---	---

### Vanity Sink Base – 42"-60" Wide, 2 Doors, 3 Drawers Each End, Split Top

DV3DB42D	1940	2018	2131	2264	2382	2514	2705	2863	3046
DV3DB45D	1949	2027	2142	2277	2398	2532	2723	2885	3071
DV3DB48D	1961	2039	2156	2292	2412	2551	2743	2906	3095
DV3DB51D	2058	2139	2264	2406	2532	2679	2880	3052	3250
DV3DB54D	2161	2246	2377	2527	2660	2813	3023	3204	3412
DV3DB57D	2264	2353	2490	2647	2787	2946	3168	3357	3575
DV3DB60D	2368	2461	2603	2768	2912	3080	3312	3510	3737
DV3DB42D18	1940	2018	2131	2264	2382	2514	2705	2863	3046
DV3DB45D18	1949	2027	2142	2277	2398	2532	2723	2885	3071
DV3DB48D18	1961	2039	2156	2292	2412	2551	2743	2906	3095
DV3DB51D18	2058	2139	2264	2406	2532	2679	2880	3052	3250
DV3DB54D18	2161	2246	2377	2527	2660	2813	3023	3204	3412
DV3DB57D18	2264	2353	2490	2647	2787	2946	3168	3357	3575
DV3DB60D18	2368	2461	2603	2768	2912	3080	3312	3510	3737

### Tall Vanity Sink Base – 42"-60" Wide, 2 Doors, 3 Drawers Each End, Split Top

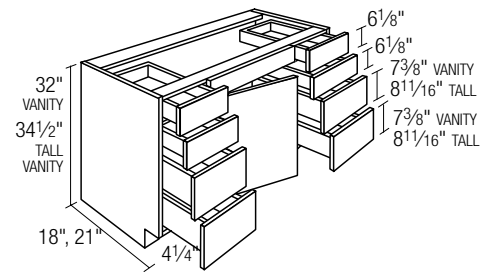
DVT3DB42D	1975	2036	2152	2292	2410	2548	2739	2907	3090
DVT3DB45D	1984	2058	2177	2318	2440	2577	2771	2942	3131
DVT3DB48D	1994	2081	2199	2342	2468	2607	2806	2980	3172
DVT3DB51D	2161	2246	2377	2527	2660	2813	3023	3204	3412
DVT3DB54D	2269	2359	2496	2654	2793	2953	3175	3365	3582
DVT3DB57D	2377	2472	2614	2779	2926	3093	3326	3524	3754
DVT3DB60D	2485	2584	2734	2906	3058	3234	3478	3685	3924
DVT3DB42D18	1975	2036	2152	2292	2410	2548	2739	2907	3090
DVT3DB45D18	1984	2058	2177	2318	2440	2577	2771	2942	3131
DVT3DB48D18	1994	2081	2199	2342	2468	2607	2806	2980	3172
DVT3DB51D18	2161	2246	2377	2527	2660	2813	3023	3204	3412
DVT3DB54D18	2269	2359	2496	2654	2793	2953	3175	3365	3582
DVT3DB57D18	2377	2472	2614	2779	2926	3093	3326	3524	3754
DVT3DB60D18	2485	2584	2734	2906	3058	3234	3478	3685	3924



# Vanity Cabinets : Sink Bases

FOR ALL VANITY SINK BASE CABINETS WITH DRAWERS

- Tilt-outs not available
- Full-Height Doors not available
- Pull-outs not available
- No line boring
- Deep Metal Drawers are not available on cabinets less than 15" deep
- Price includes a matching Touch-Up Kit
- Modified width requires drawing
- Vertical grain slab doors are not available on cabinets over 48" wide



- Designate L/R hinge (left shown)
- When modifying height, door and bottom drawers will increase in height; top drawer remains 6 1/8"

Cabinet Width	Drawer Width	Door Width
45"	10 1/2" (2)	24"
48"	12" (2)	24"
51"	13 1/2" (2)	24"
54"	15" (2)	24"
57"	16 1/2" (2)	24"
60"	18" (2)	24"

## Vanity Sink Base with 1 Door, 4 Drawers Each End, Split Top

Price Grade	1	2	3	4	5	6	7	8	9
-------------	---	---	---	---	---	---	---	---	---

### Vanity Sink Base – 45"-60" Wide, 1 Door, 4 Drawers Each End, Split Top

DV4DB45	2347	2436	2566	2693	2825	2972	3166	3332	3546
DV4DB48	2386	2481	2617	2747	2885	3040	3242	3413	3643
DV4DB51	2506	2605	2747	2884	3030	3192	3404	3584	3825
DV4DB54	2631	2736	2885	3029	3181	3352	3574	3763	4016
DV4DB57	2756	2866	3022	3174	3333	3512	3744	3942	4207
DV4DB60	2881	2995	3160	3318	3485	3672	3914	4122	4398
DV4DB4518	2347	2436	2566	2693	2825	2972	3166	3332	3546
DV4DB4818	2386	2481	2617	2747	2885	3040	3242	3413	3643
DV4DB5118	2506	2605	2747	2884	3030	3192	3404	3584	3825
DV4DB5418	2631	2736	2885	3029	3181	3352	3574	3763	4016
DV4DB5718	2756	2866	3022	3174	3333	3512	3744	3942	4207
DV4DB6018	2881	2995	3160	3318	3485	3672	3914	4122	4398

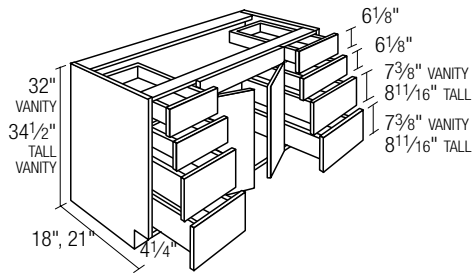
### Tall Vanity Sink Base – 45"-60" Wide, 1 Door, 4 Drawers Each End, Split Top

DVT4DB45	2353	2446	2577	2710	2832	2977	3187	3358	3537
DVT4DB48	2385	2482	2618	2752	2879	3029	3248	3427	3606
DVT4DB51	2631	2736	2885	3029	3181	3352	3574	3763	4016
DVT4DB54	2762	2872	3029	3180	3341	3519	3753	3951	4216
DVT4DB57	2894	3009	3174	3332	3499	3687	3932	4140	4418
DVT4DB60	3025	3146	3319	3484	3658	3855	4109	4327	4618
DVT4DB4518	2353	2446	2577	2710	2832	2977	3187	3358	3537
DVT4DB4818	2385	2482	2618	2752	2879	3029	3248	3427	3606
DVT4DB5118	2631	2736	2885	3029	3181	3352	3574	3763	4016
DVT4DB5418	2762	2872	3029	3180	3341	3519	3753	3951	4216
DVT4DB5718	2894	3009	3174	3332	3499	3687	3932	4140	4418
DVT4DB6018	3025	3146	3319	3484	3658	3855	4109	4327	4618

# Vanity Cabinets : Sink Bases

FOR ALL VANITY SINK BASE CABINETS WITH DRAWERS

- Tilt-outs not available
- Full-Height Doors not available
- Pull-outs not available
- No line boring
- Deep Metal Drawers are not available on cabinets less than 15" deep
- Price includes a matching Touch-Up Kit
- Modified width requires drawing
- Vertical grain slab doors are not available on cabinets over 48" wide



- When modifying height, door and bottom drawers will increase in height; top drawer remains 6 1/8"

Cabinet Width	Drawer Width	Door Width
42"	9" (2)	12" (2)
45"	10 1/2" (2)	12" (2)
48"	12" (2)	12" (2)
51"	12" (2)	13 1/2" (2)
54"	13 1/2" (2)	13 1/2" (2)
57"	13 1/2" (2)	15" (2)
60"	15" (2)	15" (2)

## Vanity Sink Base with 2 Doors, 4 Drawers Each End, Split Top

Price Grade	1	2	3	4	5	6	7	8	9
-------------	---	---	---	---	---	---	---	---	---

### Vanity Sink Base – 42"-60" Wide, 2 Doors, 4 Drawers Each End, Split Top

DV4DB42D	2292	2370	2483	2615	2735	2867	3056	3217	3399
DV4DB45D	2302	2380	2496	2630	2749	2884	3075	3238	3424
DV4DB48D	2313	2390	2509	2645	2765	2903	3095	3259	3448
DV4DB51D	2428	2510	2634	2776	2903	3048	3250	3422	3620
DV4DB54D	2550	2635	2766	2915	3047	3201	3412	3593	3801
DV4DB57D	2670	2762	2898	3054	3193	3353	3575	3764	3982
DV4DB60D	2793	2886	3029	3193	3338	3506	3737	3935	4162
DV4DB42D18	2292	2370	2483	2615	2735	2867	3056	3217	3399
DV4DB45D18	2302	2380	2496	2630	2749	2884	3075	3238	3424
DV4DB48D18	2313	2390	2509	2645	2765	2903	3095	3259	3448
DV4DB51D18	2428	2510	2634	2776	2903	3048	3250	3422	3620
DV4DB54D18	2550	2635	2766	2915	3047	3201	3412	3593	3801
DV4DB57D18	2670	2762	2898	3054	3193	3353	3575	3764	3982
DV4DB60D18	2793	2886	3029	3193	3338	3506	3737	3935	4162

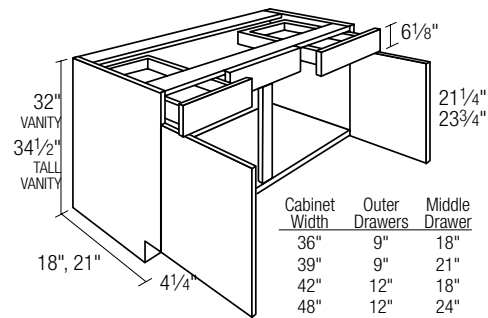
### Tall Vanity Sink Base – 42"-60" Wide, 2 Doors, 4 Drawers Each End, Split Top

DVT4DB42D	2327	2388	2503	2645	2764	2900	3091	3260	3441
DVT4DB45D	2337	2410	2529	2669	2792	2930	3124	3296	3484
DVT4DB48D	2346	2434	2552	2693	2821	2959	3160	3332	3524
DVT4DB51D	2550	2635	2766	2915	3047	3201	3412	3593	3801
DVT4DB54D	2678	2767	2904	3062	3201	3360	3582	3773	3991
DVT4DB57D	2804	2899	3042	3207	3353	3520	3754	3952	4181
DVT4DB60D	2932	3032	3180	3353	3506	3681	3924	4132	4371
DVT4DB42D18	2327	2388	2503	2645	2764	2900	3091	3260	3441
DVT4DB45D18	2337	2410	2529	2669	2792	2930	3124	3296	3484
DVT4DB48D18	2346	2434	2552	2693	2821	2959	3160	3332	3524
DVT4DB51D18	2550	2635	2766	2915	3047	3201	3412	3593	3801
DVT4DB54D18	2678	2767	2904	3062	3201	3360	3582	3773	3991
DVT4DB57D18	2804	2899	3042	3207	3353	3520	3754	3952	4181
DVT4DB60D18	2932	3032	3180	3353	3506	3681	3924	4132	4371

# Vanity Cabinets : Sink Bases

FOR ALL VANITY SINK BASE CABINETS WITH DRAWERS

- Tilt-outs not available
- Full-Height Doors not available
- Pull-outs not available
- No line boring
- Deep Metal Drawers are not available on cabinets less than 15" deep
- Price includes a matching Touch-Up Kit
- Modified width requires drawing
- Vertical grain slab doors are not available on cabinets over 48" wide



## Vanity Sink Bases with Drawers

Price Grade	1	2	3	4	5	6	7	8	9
-------------	---	---	---	---	---	---	---	---	---

### Vanity Sink Base – 36"-48" Wide, Top Drawers

VSB362D	846	915	1016	1140	1250	1365	1540	1684	1843
VSB392D	882	953	1061	1190	1304	1423	1605	1757	1926
VSB422D	916	991	1104	1237	1358	1482	1671	1833	2007
VSB482D	954	1036	1152	1298	1419	1552	1749	1915	2099
VSB362D18	846	915	1016	1140	1250	1365	1540	1684	1843
VSB392D18	882	953	1061	1190	1304	1423	1605	1757	1926
VSB422D18	916	991	1104	1237	1358	1482	1671	1833	2007
VSB482D18	954	1036	1152	1298	1419	1552	1749	1915	2099

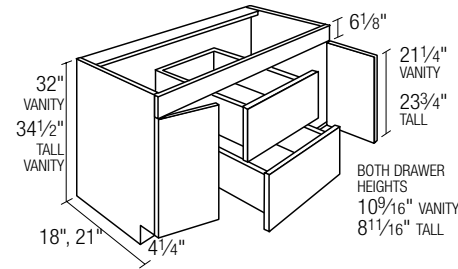
### Tall Vanity Sink Base – 36"-48" Wide, Top Drawers

VSBT362D	876	948	1057	1184	1298	1419	1597	1749	1915
VSBT392D	912	987	1100	1231	1351	1475	1659	1819	1997
VSBT422D	947	1024	1142	1278	1401	1533	1723	1892	2075
VSBT482D	985	1072	1195	1339	1466	1606	1808	1983	2175
VSBT362D18	876	948	1057	1184	1298	1419	1597	1749	1915
VSBT392D18	912	987	1100	1231	1351	1475	1659	1819	1997
VSBT422D18	947	1024	1142	1278	1401	1533	1723	1892	2075
VSBT482D18	985	1072	1195	1339	1466	1606	1808	1983	2175

# Vanity Cabinets : Sink Bases

FOR ALL VANITY SINK BASE CABINETS WITH DRAWERS

- Tilt-outs not available
- Full-Height Doors not available
- Pull-outs not available
- No line boring
- Deep Metal Drawers are not available on cabinets less than 15" deep
- Price includes a matching Touch-Up Kit
- Modified width requires drawing
- Vertical grain slab doors are not available on cabinets over 48" wide



- When modifying height, door and drawers will increase in height; false drawer front at top remains 6 1/8"

Cabinet Width	Drawer Width	Door Width
36"	12"	12" (2)
39"	12"	13 1/2" (2)
42"	15"	13 1/2" (2)
45"	18"	13 1/2" (2)
48"	18"	15" (2)
51"	18"	16 1/2" (2)
54"	18"	18" (2)
57"	21"	18" (2)
60"	21"	19 1/2" (2)

## Vanity Sink Base with 2 Doors, 2 Center Drawers

Price Grade	1	2	3	4	5	6	7	8	9
<b>Vanity Sink Base – 36"-60" Wide, 2 Doors, 2 Center Drawers</b>									
CV36	885	959	1064	1194	1309	1430	1610	1766	1934
CV39	905	981	1090	1220	1338	1465	1651	1808	1983
CV42	926	1004	1117	1250	1368	1500	1690	1850	2032
CV45	936	1014	1129	1264	1384	1519	1710	1872	2056
CV48	947	1024	1142	1278	1398	1538	1729	1892	2081
CV51	993	1075	1199	1341	1468	1614	1816	1988	2186
CV54	1043	1129	1258	1409	1542	1694	1907	2086	2295
CV57	1092	1183	1320	1476	1615	1775	1997	2186	2404
CV60	1143	1237	1379	1544	1688	1856	2087	2286	2513
CV3618	885	959	1064	1194	1309	1430	1610	1766	1934
CV3918	905	981	1090	1220	1338	1465	1651	1808	1983
CV4218	926	1004	1117	1250	1368	1500	1690	1850	2032
CV4518	936	1014	1129	1264	1384	1519	1710	1872	2056
CV4818	947	1024	1142	1278	1398	1538	1729	1892	2081
CV5118	993	1075	1199	1341	1468	1614	1816	1988	2186
CV5418	1043	1129	1258	1409	1542	1694	1907	2086	2295
CV5718	1092	1183	1320	1476	1615	1775	1997	2186	2404
CV6018	1143	1237	1379	1544	1688	1856	2087	2286	2513

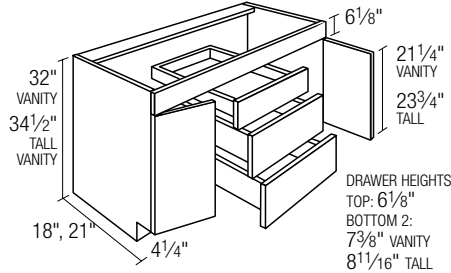
## Tall Vanity Sink Base – 36"-60" Wide, 2 Doors, 2 Center Drawers

CVT36	924	1000	1113	1254	1368	1503	1690	1856	2035
CVT39	944	1022	1138	1278	1396	1533	1724	1893	2076
CVT42	961	1045	1163	1303	1427	1563	1757	1929	2116
CVT45	970	1056	1174	1315	1440	1578	1776	1947	2137
CVT48	979	1068	1185	1328	1455	1594	1793	1966	2158
CVT51	1043	1129	1258	1409	1542	1694	1907	2086	2295
CVT54	1096	1185	1323	1480	1618	1779	2001	2191	2409
CVT57	1147	1243	1385	1550	1696	1863	2097	2295	2524
CVT60	1199	1299	1447	1621	1773	1948	2192	2400	2639
CVT3618	924	1000	1113	1254	1368	1503	1690	1856	2035
CVT3918	944	1022	1138	1278	1396	1533	1724	1893	2076
CVT4218	961	1045	1163	1303	1427	1563	1757	1929	2116
CVT4518	970	1056	1174	1315	1440	1578	1776	1947	2137
CVT4818	979	1068	1185	1328	1455	1594	1793	1966	2158
CVT5118	1043	1129	1258	1409	1542	1694	1907	2086	2295
CVT5418	1096	1185	1323	1480	1618	1779	2001	2191	2409
CVT5718	1147	1243	1385	1550	1696	1863	2097	2295	2524
CVT6018	1199	1299	1447	1621	1773	1948	2192	2400	2639

# Vanity Cabinets : Sink Bases

FOR ALL VANITY SINK BASE CABINETS WITH DRAWERS

- Tilt-outs not available
- Full-Height Doors not available
- Pull-outs not available
- No line boring
- Deep Metal Drawers are not available on cabinets less than 15" deep
- Price includes a matching Touch-Up Kit
- Modified width requires drawing
- Vertical grain slab doors are not available on cabinets over 48" wide



- When modifying height, door and drawers will increase in height; false drawer front at top remains 6 1/8"

Cabinet Width	Drawer Width	Door Width
36"	12"	12" (2)
39"	12"	13 1/2" (2)
42"	15"	13 1/2" (2)
45"	18"	13 1/2" (2)
48"	18"	15" (2)
51"	18"	16 1/2" (2)
54"	18"	18" (2)
57"	21"	18" (2)
60"	21"	19 1/2" (2)

## Vanity Sink Base with 2 Doors, 3 Center Drawers

Price Grade	1	2	3	4	5	6	7	8	9
<b>Vanity Sink Base – 36"-60" Wide, 2 Doors, 3 Center Drawers</b>									
CV336	1062	1136	1241	1369	1486	1605	1788	1942	2110
CV339	1082	1158	1267	1395	1515	1641	1827	1984	2159
CV342	1102	1180	1294	1427	1545	1677	1866	2026	2209
CV345	1112	1190	1305	1440	1560	1695	1886	2048	2234
CV348	1123	1200	1318	1455	1575	1713	1906	2069	2258
CV351	1179	1261	1384	1527	1653	1799	2000	2172	2371
CV354	1237	1324	1453	1603	1736	1888	2101	2281	2489
CV357	1297	1386	1522	1680	1819	1978	2200	2390	2608
CV360	1356	1449	1593	1756	1901	2069	2300	2498	2725
CV33618	1062	1136	1241	1369	1486	1605	1788	1942	2110
CV33918	1082	1158	1267	1395	1515	1641	1827	1984	2159
CV34218	1102	1180	1294	1427	1545	1677	1866	2026	2209
CV34518	1112	1190	1305	1440	1560	1695	1886	2048	2234
CV34818	1123	1200	1318	1455	1575	1713	1906	2069	2258
CV35118	1179	1261	1384	1527	1653	1799	2000	2172	2371
CV35418	1237	1324	1453	1603	1736	1888	2101	2281	2489
CV35718	1297	1386	1522	1680	1819	1978	2200	2390	2608
CV36018	1356	1449	1593	1756	1901	2069	2300	2498	2725

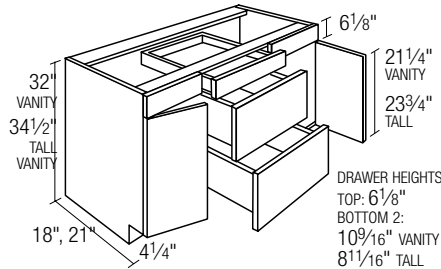
## Tall Vanity Sink Base – 36"-60" Wide, 2 Doors, 3 Center Drawers

CVT336	1101	1177	1290	1431	1545	1680	1866	2032	2211
CVT339	1120	1198	1313	1455	1574	1710	1901	2071	2252
CVT342	1138	1221	1338	1480	1602	1739	1934	2105	2293
CVT345	1146	1233	1351	1492	1616	1754	1952	2124	2314
CVT348	1156	1244	1361	1503	1631	1769	1969	2141	2334
CVT351	1237	1324	1453	1603	1736	1888	2101	2281	2489
CVT354	1300	1389	1526	1684	1822	1983	2206	2396	2613
CVT357	1361	1457	1599	1764	1910	2077	2310	2509	2738
CVT360	1422	1522	1671	1844	1996	2172	2416	2623	2862
CVT33618	1101	1177	1290	1431	1545	1680	1866	2032	2211
CVT33918	1120	1198	1313	1455	1574	1710	1901	2071	2252
CVT34218	1138	1221	1338	1480	1602	1739	1934	2105	2293
CVT34518	1146	1233	1351	1492	1616	1754	1952	2124	2314
CVT34818	1156	1244	1361	1503	1631	1769	1969	2141	2334
CVT35118	1237	1324	1453	1603	1736	1888	2101	2281	2489
CVT35418	1300	1389	1526	1684	1822	1983	2206	2396	2613
CVT35718	1361	1457	1599	1764	1910	2077	2310	2509	2738
CVT36018	1422	1522	1671	1844	1996	2172	2416	2623	2862

# Vanity Cabinets : Sink Bases

FOR ALL VANITY SINK BASE CABINETS WITH DRAWERS

- Tilt-outs not available
- Full-Height Doors not available
- Pull-outs not available
- No line boring
- Deep Metal Drawers are not available on cabinets less than 15" deep
- Price includes a matching Touch-Up Kit
- Modified width requires drawing
- Vertical grain slab doors are not available on cabinets over 48" wide



- When modifying height, door and bottom drawers will increase in height; top drawer remains 6 1/8"

Cabinet Width	Drawer Width	Door Width
57"	9"	24" (2)
60"	12"	24" (2)

## Vanity Sink Base with 2 Doors, 3 Center Drawers, Split Top

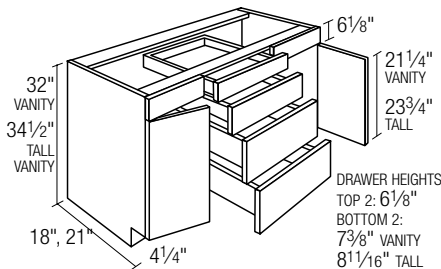
Price Grade	1	2	3	4	5	6	7	8	9
-------------	---	---	---	---	---	---	---	---	---

### Vanity Sink Base – 57"-60" Wide, 2 Doors, 3 Center Drawers, Split Top

CV3DB57	1403	1492	1628	1786	1925	2084	2306	2495	2713
CV3DB60	1466	1560	1703	1866	2013	2179	2412	2609	2836
CV3DB5718	1403	1492	1628	1786	1925	2084	2306	2495	2713
CV3DB6018	1466	1560	1703	1866	2013	2179	2412	2609	2836

### Tall Vanity Sink Base – 57"-60" Wide, 2 Doors, 3 Center Drawers, Split Top

CVT3DB57	1472	1567	1710	1875	2021	2188	2421	2620	2849
CVT3DB60	1540	1637	1788	1961	2112	2288	2531	2739	2979
CVT3DB5718	1472	1567	1710	1875	2021	2188	2421	2620	2849
CVT3DB6018	1540	1637	1788	1961	2112	2288	2531	2739	2979



- When modifying height, door and bottom drawers will increase in height; top drawer remains 6 1/8"

Cabinet Width	Drawer Width	Door Width
57"	9"	24" (2)
60"	12"	24" (2)

## Vanity Sink Base with 2 Doors, 4 Center Drawers, Split Top

Price Grade	1	2	3	4	5	6	7	8	9
-------------	---	---	---	---	---	---	---	---	---

### Vanity Sink Base – 57"-60" Wide, 2 Doors, 4 Center Drawers, Split Top

CV4DB57	1606	1696	1832	1990	2128	2288	2510	2699	2916
CV4DB60	1679	1773	1915	2079	2224	2392	2625	2822	3049
CV4DB5718	1606	1696	1832	1990	2128	2288	2510	2699	2916
CV4DB6018	1679	1773	1915	2079	2224	2392	2625	2822	3049

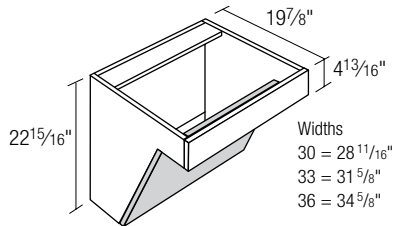
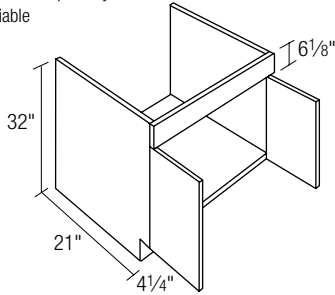
### Tall Vanity Sink Base – 57"-60" Wide, 2 Doors, 4 Center Drawers, Split Top

CVT4DB57	1686	1780	1923	2088	2235	2402	2635	2833	3063
CVT4DB60	1763	1861	2012	2184	2336	2511	2755	2962	3202
CVT4DB5718	1686	1780	1923	2088	2235	2402	2635	2833	3063
CVT4DB6018	1763	1861	2012	2184	2336	2511	2755	2962	3202

# Vanity Cabinets : ADA Compatible Sink Bases

## BOTH CABINETS

- Tilt-outs not available
- Can be ordered separately
- Not modifiable



## INNER CABINET

- 4<sup>13</sup>/<sub>16</sub>" high, 5/8"-thick coordinated false drawer front panel, not profiled
- Removable, 5/8"-thick coordinated access panel, not profiled
- Wood Premium available in Walnut

## ADA Compatible Sink Cabinet

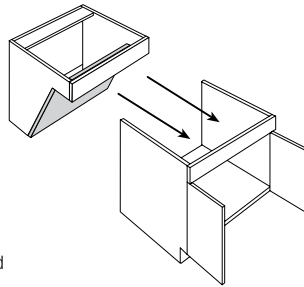
Price Grade	1	2	3	4	5	6	7	8	9
-------------	---	---	---	---	---	---	---	---	---

### Outer Cabinet

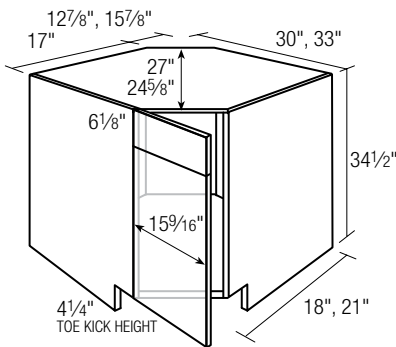
RVSB30	506	518	563	611	652	695	768	831	901
RVSB33	514	528	572	624	666	711	790	851	922
RVSB36	526	537	585	631	674	724	801	869	942

### Inner Cabinet

	Melamine	Eurotek	Textured Melamine	Standard Thermofoil	Premium Thermofoil	Wood	Wood Premium	Metal	UltraLux
VSSI30	542	542	650	650	987	881	931	987	987
VSSI33	583	583	700	700	1073	953	1007	1073	1073
VSSI36	629	629	755	755	1161	1030	1089	1161	1161



# Vanity : Corner Sink Bases



## Tall Vanity Diagonal Corner Sink Base

Price Grade	1	2	3	4	5	6	7	8	9
-------------	---	---	---	---	---	---	---	---	---

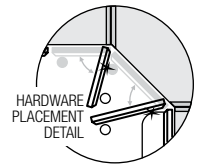
### Tall Vanity Diagonal Corner Sink Base

VDCSBT30-18	851	921	1029	1153	1258	1375	1549	1698	1861
VDCSBT33	851	921	1029	1153	1258	1375	1549	1698	1861

### Tall Vanity Diagonal Corner Sink Base; Full-Height Door

VDCSBT30-18FH	851	921	1029	1153	1258	1375	1549	1698	1861
VDCSBT33FH	851	921	1029	1153	1258	1375	1549	1698	1861

- False drawer front standard
- Plymouth, York and Frisco door styles available only with Full-Height Door
- Tilt-outs not available
- Designate L/R hinge (left shown)
- Placement of decorative hardware next to a protruding cabinet or appliance may interfere with door fully opening; Filler may be required; see detail
- Pull-outs not available
- Price includes a matching Touch-Up Kit
- Use Corner Cabinet Modification Form when requesting a modification; see OneTouch
- Depth on both sides must be same dimension
- Not available in Fineline, Slimline or Broadline Metal door styles

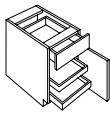


# Vanity Cabinets : General Base Cabinets

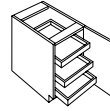
FOR ALL GENERAL BASE CABINETS

- One adjustable shelf; two adjustable shelves with Full-Height Door

## Vanity Pull-out Option (factory installed)



Maximum Number of Pull-outs:  
 2 in a Vanity with drawer.  
 4 in a Vanity without drawer.  
 3 in a Tall Vanity with drawer.  
 5 in a Tall Vanity without drawer.



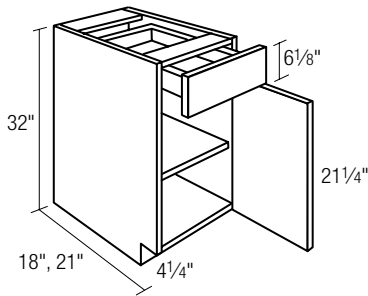
When one Pull-out is ordered it is placed in the bottom of the cabinet and the shelf remains.

When two or more Pull-outs are ordered the shelf is removed.

Kesseböhmer Pull-outs are not available in modified widths, only available in 24" depths.

Prices are per Pull-out.

	SKU	List Price
<b>DOVETAIL PULL-OUT W/SOFT CLOSE IN BIRCH</b>		
Cabinets 12" to 21" wide	DOVEPO	176
Cabinets over 21" wide	DOVEPOW	203
<b>DOVETAIL PULL-OUT W/SOFT CLOSE IN WALNUT</b>		
Cabinets 12" to 21" wide	DOVEPO	231
Cabinets over 21" wide	DOVEPOW	264
<b>METAL PULL-OUT</b>		
Cabinets 12" to 21" wide	METALPO	311
Cabinets over 21" wide	METALPOW	338
<b>KESSEBOHMER PULL-OUT</b>		
Cabinets 15", 18" & 21" wide	KSBPO	917
Cabinets 24" wide	KSBPOW	971



- Designate L/R hinge (right shown)
- Full-Height door is 27<sup>9</sup>/<sub>16</sub>" high

## Vanity Base Cabinets

Price Grade	1	2	3	4	5	6	7	8	9
<b>Vanity Base – 12"-24" Wide</b>									
VB12	504	557	623	703	773	854	959	1055	1165
VB15	526	578	647	731	806	884	1005	1102	1217
VB18	542	597	673	761	833	920	1045	1146	1262
VB21	586	644	720	816	898	988	1123	1233	1355
VB24-1	624	688	771	869	957	1053	1194	1312	1441
VB1218	504	557	623	703	773	854	959	1055	1165
VB1518	526	578	647	731	806	884	1005	1102	1217
VB1818	542	597	673	761	833	920	1045	1146	1262
VB2118	586	644	720	816	898	988	1123	1233	1355
VB2418-1	624	688	771	869	957	1053	1194	1312	1441

## Vanity Base – 12"-24" Wide; Full-Height Door

VB12FH	431	488	553	636	704	784	891	989	1099
VB15FH	449	510	578	665	741	816	939	1035	1150
VB18FH	471	532	605	693	767	854	977	1080	1195
VB21FH	510	576	652	750	832	920	1054	1165	1288
VB24-1FH	550	620	703	802	889	987	1127	1245	1375
VB1218FH	431	488	553	636	704	784	891	989	1099
VB1518FH	449	510	578	665	741	816	939	1035	1150
VB1818FH	471	532	605	693	767	854	977	1080	1195
VB2118FH	510	576	652	750	832	920	1054	1165	1288
VB2418-1FH	550	620	703	802	889	987	1127	1245	1375

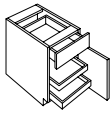


# Vanity Cabinets : General Base Cabinets

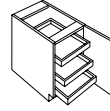
FOR ALL GENERAL BASE CABINETS

- One adjustable shelf; two adjustable shelves with Full-Height Door

## Vanity Pull-out Option (factory installed)



Maximum Number of Pull-outs:  
 2 in a Vanity with drawer.  
 4 in a Vanity without drawer.  
 3 in a Tall Vanity with drawer.  
 5 in a Tall Vanity without drawer.



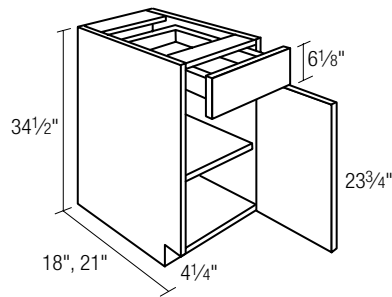
When one Pull-out is ordered it is placed in the bottom of the cabinet and the shelf remains.

When two or more Pull-outs are ordered the shelf is removed.

Kessebohmer Pull-outs are not available in modified widths, only available in 24" depths.

Prices are per Pull-out.

	SKU	List Price
DOVETAIL PULL-OUT W/SOFT CLOSE IN BIRCH		
Cabinets 12" to 21" wide	DOVEPO	176
Cabinets over 21" wide	DOVEPOW	203
DOVETAIL PULL-OUT W/SOFT CLOSE IN WALNUT		
Cabinets 12" to 21" wide	DOVEPO	231
Cabinets over 21" wide	DOVEPOW	264
METAL PULL-OUT		
Cabinets 12" to 21" wide	METALPO	311
Cabinets over 21" wide	METALPOW	338
KESSEBOHMER PULL-OUT		
Cabinets 15", 18" & 21" wide	KSBPO	917
Cabinets 24" wide	KSBPOW	971



- Designate L/R hinge (right shown)
- Full-Height door is 30 1/16" high

## Vanity Base Cabinets

Price Grade	1	2	3	4	5	6	7	8	9
<b>Tall Vanity Base – 12"-24" Wide</b>									
VB12	526	578	647	731	806	884	1005	1102	1217
VB15	542	597	673	761	833	920	1045	1146	1262
VB18	565	621	697	783	864	950	1081	1190	1305
VB21	604	665	747	843	929	1017	1156	1268	1394
VB24-1	646	707	796	901	989	1091	1234	1360	1493
VB1218	526	578	647	731	806	884	1005	1102	1217
VB1518	542	597	673	761	833	920	1045	1146	1262
VB1818	565	621	697	783	864	950	1081	1190	1305
VB2118	604	665	747	843	929	1017	1156	1268	1394
VB2418-1	646	707	796	901	989	1091	1234	1360	1493

## Tall Vanity Base – 12"-24" Wide; Full-Height Door

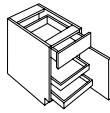
VB12FH	449	510	578	665	741	816	939	1035	1150
VB15FH	471	532	605	693	767	854	977	1080	1195
VB18FH	490	554	630	719	799	883	1014	1123	1238
VB21FH	531	597	680	776	861	950	1089	1200	1328
VB24FH-1	571	641	726	833	921	1023	1166	1293	1427
VB1218FH	449	510	578	665	741	816	939	1035	1150
VB1518FH	471	532	605	693	767	854	977	1080	1195
VB1818FH	490	554	630	719	799	883	1014	1123	1238
VB2118FH	531	597	680	776	861	950	1089	1200	1328
VB2418-1FH	571	641	726	833	921	1023	1166	1293	1427

# Vanity Cabinets : General Base Cabinets

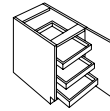
FOR ALL GENERAL BASE CABINETS

- One adjustable shelf; two adjustable shelves with Full-Height Door

## Vanity Pull-out Option (factory installed)



Maximum Number of Pull-outs:  
 2 in a Vanity with drawer.  
 4 in a Vanity without drawer.  
 3 in a Tall Vanity with drawer.  
 5 in a Tall Vanity without drawer.



When one Pull-out is ordered it is placed in the bottom of the cabinet and the shelf remains.

When two or more Pull-outs are ordered the shelf is removed.

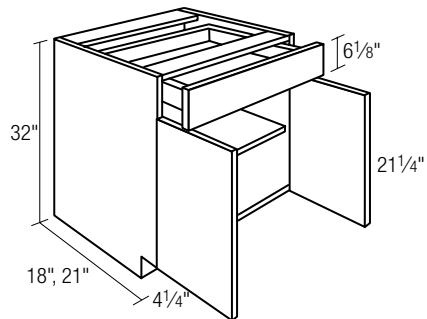
Kessebohmer Pull-outs are not available in modified widths, only available in 24" depths.

Prices are per Pull-out.

SKU

List Price

DOVETAIL PULL-OUT W/SOFT CLOSE IN BIRCH		SKU	List Price
Cabinets 12" to 21" wide	DOVEPO	176	
Cabinets over 21" wide	DOVEPOW	203	
DOVETAIL PULL-OUT W/SOFT CLOSE IN WALNUT		SKU	List Price
Cabinets 12" to 21" wide	DOVEPO	231	
Cabinets over 21" wide	DOVEPOW	264	
METAL PULL-OUT		SKU	List Price
Cabinets 12" to 21" wide	METALPO	311	
Cabinets over 21" wide	METALPOW	338	
KESSEBOHMER PULL-OUT		SKU	List Price
Cabinets 15", 18" & 21" wide	KSBPO	917	
Cabinets 24" wide	KSBPOW	971	



- Full-Height door is 27<sup>9</sup>/<sub>16</sub>" high

## Vanity Base Cabinets

Price Grade	1	2	3	4	5	6	7	8	9
Vanity Base – 24"-36" Wide									
VB24	624	688	771	869	957	1053	1194	1312	1441
VB27	686	752	843	951	1050	1158	1307	1437	1581
VB30	703	775	871	986	1085	1193	1349	1484	1632
VB33	737	811	909	1023	1130	1243	1408	1547	1701
VB36	774	855	959	1085	1193	1308	1484	1632	1793
VB2418	624	688	771	869	957	1053	1194	1312	1441
VB2718	686	752	843	951	1050	1158	1307	1437	1581
VB3018	703	775	871	986	1085	1193	1349	1484	1632
VB3318	737	811	909	1023	1130	1243	1408	1547	1701
VB3618	774	855	959	1085	1193	1308	1484	1632	1793

## Vanity Base – 24"-36" Wide; Full-Height Door

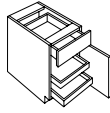
VB24FH	550	620	703	802	889	987	1127	1245	1375
VB27FH	612	687	774	884	985	1090	1240	1369	1514
VB30FH	630	708	802	917	1018	1125	1280	1416	1565
VB33FH	662	744	838	957	1064	1177	1340	1480	1635
VB36FH	701	787	891	1018	1125	1241	1416	1565	1724
VB2418FH	550	620	703	802	889	987	1127	1245	1375
VB2718FH	612	687	774	884	985	1090	1240	1369	1514
VB3018FH	630	708	802	917	1018	1125	1280	1416	1565
VB3318FH	662	744	838	957	1064	1177	1340	1480	1635
VB3618FH	701	787	891	1018	1125	1241	1416	1565	1724

# Vanity Cabinets : General Base Cabinets

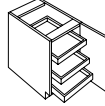
FOR ALL GENERAL BASE CABINETS

- One adjustable shelf; two adjustable shelves with Full-Height Door

## Vanity Pull-out Option (factory installed)



Maximum Number of Pull-outs:  
 2 in a Vanity with drawer.  
 4 in a Vanity without drawer.  
 3 in a Tall Vanity with drawer.  
 5 in a Tall Vanity without drawer.



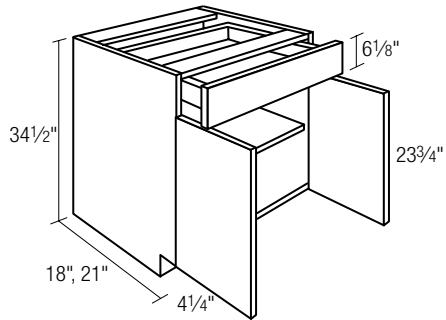
When one Pull-out is ordered it is placed in the bottom of the cabinet and the shelf remains.

When two or more Pull-outs are ordered the shelf is removed.

Kessebohmer Pull-outs are not available in modified widths, only available in 24" depths.

Prices are per Pull-out.

	SKU	List Price
<b>DOVETAIL PULL-OUT W/SOFT CLOSE IN BIRCH</b>		
Cabinets 12" to 21" wide	DOVEPO	176
Cabinets over 21" wide	DOVEPOW	203
<b>DOVETAIL PULL-OUT W/SOFT CLOSE IN WALNUT</b>		
Cabinets 12" to 21" wide	DOVEPO	231
Cabinets over 21" wide	DOVEPOW	264
<b>METAL PULL-OUT</b>		
Cabinets 12" to 21" wide	METALPO	311
Cabinets over 21" wide	METALPOW	338
<b>KESSEBOHMER PULL-OUT</b>		
Cabinets 15", 18" & 21" wide	KSBPO	917
Cabinets 24" wide	KSBPOW	971



- Full-Height door is 30<sup>1</sup>/<sub>16</sub>" high

## Vanity Base Cabinets

Price Grade	1	2	3	4	5	6	7	8	9
<b>Tall Vanity Base – 24"-36" Wide</b>									
VB T24	646	707	796	901	989	1091	1234	1360	1493
VB T27	703	775	871	986	1085	1193	1349	1484	1632
VB T30	737	811	909	1023	1130	1243	1408	1547	1701
VB T33	755	831	931	1053	1161	1277	1441	1583	1746
VB T36	797	875	985	1112	1226	1349	1525	1677	1844
VB T2418	646	707	796	901	989	1091	1234	1360	1493
VB T2718	703	775	871	986	1085	1193	1349	1484	1632
VB T3018	737	811	909	1023	1130	1243	1408	1547	1701
VB T3318	755	831	931	1053	1161	1277	1441	1583	1746
VB T3618	797	875	985	1112	1226	1349	1525	1677	1844

## Tall Vanity Base – 24"-36" Wide; Full-Height Door

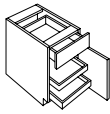
VB T24FH	571	641	726	833	921	1023	1166	1293	1427
VB T27FH	630	708	802	917	1018	1125	1280	1416	1565
VB T30FH	662	744	838	957	1064	1177	1340	1480	1635
VB T33FH	682	764	861	987	1092	1209	1375	1517	1677
VB T36FH	722	805	915	1047	1160	1280	1458	1609	1777
VB T2418FH	571	641	726	833	921	1023	1166	1293	1427
VB T2718FH	630	708	802	917	1018	1125	1280	1416	1565
VB T3018FH	662	744	838	957	1064	1177	1340	1480	1635
VB T3318FH	682	764	861	987	1092	1209	1375	1517	1677
VB T3618FH	722	805	915	1047	1160	1280	1458	1609	1777

# Vanity Cabinets : General Base Cabinets

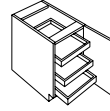
FOR ALL GENERAL BASE CABINETS

- One adjustable shelf; two adjustable shelves with Full-Height Door

## Vanity Pull-out Option (factory installed) SKU List Price



Maximum Number of Pull-outs:  
 2 in a Vanity with drawer.  
 4 in a Vanity without drawer.  
 3 in a Tall Vanity with drawer.  
 5 in a Tall Vanity without drawer.



When one Pull-out is ordered it is placed in the bottom of the cabinet and the shelf remains.

When two or more Pull-outs are ordered the shelf is removed.

Kessebohmer Pull-outs are not available in modified widths, only available in 24" depths.

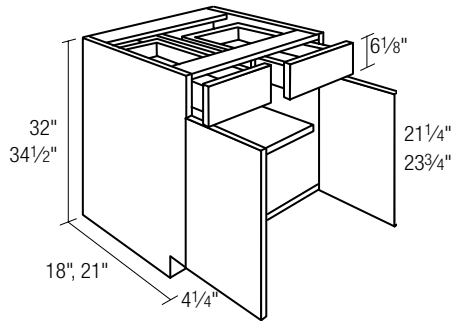
Prices are per Pull-out.

SKU	List Price
DOVETAIL PULL-OUT W/SOFT CLOSE IN BIRCH	
Cabinets 12" to 21" wide DOVEPO	176
Cabinets over 21" wide DOVEPOW	203

SKU	List Price
DOVETAIL PULL-OUT W/SOFT CLOSE IN WALNUT	
Cabinets 12" to 21" wide DOVEPO	231
Cabinets over 21" wide DOVEPOW	264

SKU	List Price
METAL PULL-OUT	
Cabinets 12" to 21" wide METALPO	311
Cabinets over 21" wide METALPOW	338

SKU	List Price
KESSEBOHMER PULL-OUT	
Cabinets 15", 18" & 21" wide KSBPO	917
Cabinets 24" wide KSBPOW	971



- Split Top Drawer requires additional stretchers and reduces the effective storage space below the drawers by 2 1/4"; see drawing on page 9.4

## Vanity Base Cabinets with Split Top Drawer

Price Grade	1	2	3	4	5	6	7	8	9
-------------	---	---	---	---	---	---	---	---	---

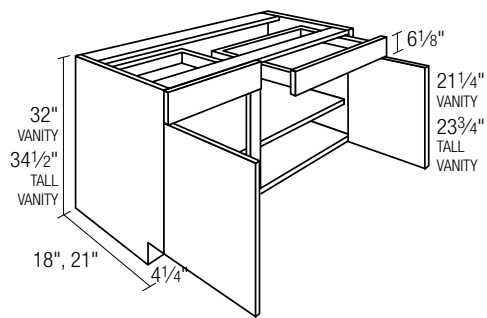
### Vanity Base with Split Top Drawer – 24"-36" Wide

VB24S	887	951	1034	1131	1220	1316	1457	1576	1704
VB27S	949	1016	1107	1215	1313	1421	1570	1700	1845
VB30S	967	1037	1134	1248	1349	1456	1610	1747	1894
VB33S	998	1074	1171	1285	1393	1506	1671	1810	1965
VB36S	1036	1118	1222	1349	1456	1571	1747	1894	2056
VB2418S	887	951	1034	1131	1220	1316	1457	1576	1704
VB2718S	949	1016	1107	1215	1313	1421	1570	1700	1845
VB3018S	967	1037	1134	1248	1349	1456	1610	1747	1894
VB3318S	998	1074	1171	1285	1393	1506	1671	1810	1965
VB3618S	1036	1118	1222	1349	1456	1571	1747	1894	2056

### Tall Vanity Base with Split Top Drawer – 24"-36" Wide

VBT24S	910	969	1059	1164	1252	1355	1496	1624	1756
VBT27S	967	1037	1134	1248	1349	1456	1610	1747	1894
VBT30S	998	1074	1171	1285	1393	1506	1671	1810	1965
VBT33S	1018	1094	1194	1316	1423	1541	1704	1847	2008
VBT36S	1060	1138	1247	1376	1490	1610	1789	1940	2106
VBT2418S	910	969	1059	1164	1252	1355	1496	1624	1756
VBT2718S	967	1037	1134	1248	1349	1456	1610	1747	1894
VBT3018S	998	1074	1171	1285	1393	1506	1671	1810	1965
VBT3318S	1018	1094	1194	1316	1423	1541	1704	1847	2008
VBT3618S	1060	1138	1247	1376	1490	1610	1789	1940	2106

# Vanity Cabinets : Base Cabinets



- One adjustable shelf; two adjustable shelves with Full-Height Door
- Center support stile is standard in coordinated wood veneer on Wood door styles; all other door styles have a white, grey or neutral birch stile
- Pull-outs not available
- Full-Height door on Vanity Base is 27<sup>9</sup>/<sub>16</sub>" high;
- Full-Height door on Tall Vanity Base is 30<sup>1</sup>/<sub>16</sub>" high

## Vanity Base Cabinets

Price Grade	1	2	3	4	5	6	7	8	9
-------------	---	---	---	---	---	---	---	---	---

### Vanity Base – 39", 48" Wide

VB39	816	904	1017	1148	1263	1386	1571	1724	1893
VB42	858	949	1068	1202	1322	1453	1644	1808	1988
VB48	902	993	1114	1256	1381	1522	1719	1892	2081
VB3918	816	904	1017	1148	1263	1386	1571	1724	1893
VB4218	858	949	1068	1202	1322	1453	1644	1808	1988
VB4818	902	993	1114	1256	1381	1522	1719	1892	2081

### Vanity Base – 39", 48" Wide; Full-Height Door

VB39FH	742	835	951	1082	1197	1317	1503	1658	1827
VB42FH	784	882	997	1136	1255	1387	1578	1742	1921
VB48FH	827	928	1046	1190	1313	1455	1651	1826	2016
VB3918FH	742	835	951	1082	1197	1317	1503	1658	1827
VB4218FH	784	882	997	1136	1255	1387	1578	1742	1921
VB4818FH	827	928	1046	1190	1313	1455	1651	1826	2016

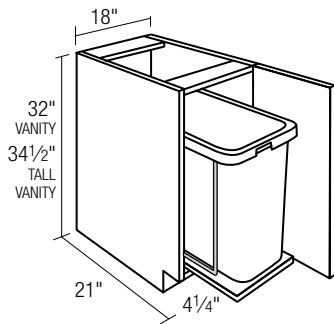
### Tall Vanity Base – 39", 48" Wide

VBT39	838	923	1033	1178	1293	1419	1603	1766	1937
VBT42	882	969	1084	1231	1352	1487	1682	1850	2032
VBT48	922	1014	1136	1284	1412	1552	1761	1935	2126
VBT3918	838	923	1033	1178	1293	1419	1603	1766	1937
VBT4218	882	969	1084	1231	1352	1487	1682	1850	2032
VBT4818	922	1014	1136	1284	1412	1552	1761	1935	2126

### Tall Vanity Base – 39", 48" Wide; Full-Height Door

VBT39FH	766	857	962	1109	1226	1352	1534	1698	1870
VBT42FH	805	902	1015	1164	1284	1419	1614	1782	1965
VBT48FH	851	947	1069	1217	1343	1487	1693	1869	2059
VBT3918FH	766	857	962	1109	1226	1352	1534	1698	1870
VBT4218FH	805	902	1015	1164	1284	1419	1614	1782	1965
VBT4818FH	851	947	1069	1217	1343	1487	1693	1869	2059

# Vanity Cabinets : Base Cabinets



- Designate L/R hinge (right shown)
- Available in Full-height Door only
- Removable 60 qt. ventilated hamper in white only; **no lid**; 20" h x 14<sup>3</sup>/<sub>4</sub>" w x 19" d
- Not available in 18" depth
- Modifications not available
- Full-Height door on Vanity Base is 27<sup>9</sup>/<sub>16</sub>" high;  
Full-Height door on Tall Vanity Base is 30<sup>1</sup>/<sub>16</sub>" high

## Vanity Hamper Base

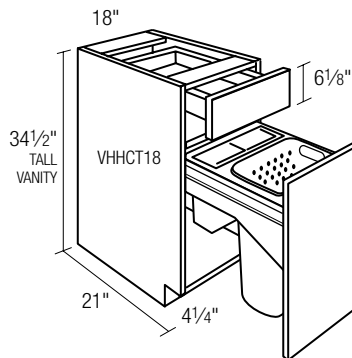
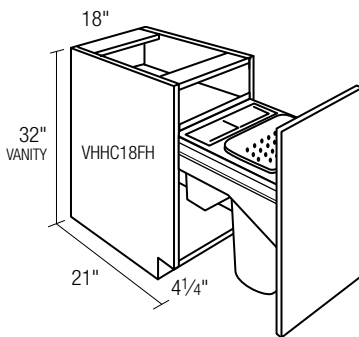
Price Grade	1	2	3	4	5	6	7	8	9
-------------	---	---	---	---	---	---	---	---	---

### Vanity Hamper Base

VHC18	876	921	1004	1099	1178	1260	1393	1496	1613
-------	-----	-----	------	------	------	------	------	------	------

### Tall Vanity Hamper Base

VHCT18	888	938	1021	1119	1197	1284	1415	1524	1641
--------	-----	-----	------	------	------	------	------	------	------



## Vanity Hanging Hamper Cabinet

Price Grade	1	2	3	4	5	6	7	8	9
-------------	---	---	---	---	---	---	---	---	---

### Vanity Hanging Hamper Cabinet Full-Height Door

VHHC18FH	1405	1468	1544	1634	1714	1798	1929	2038	2153
----------	------	------	------	------	------	------	------	------	------

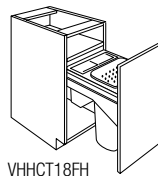
### Tall Vanity Hanging Hamper Cabinet

VHCT18	1480	1536	1612	1698	1779	1864	1995	2104	2220
--------	------	------	------	------	------	------	------	------	------

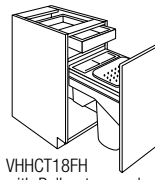
### Tall Vanity Hanging Hamper Cabinet; Full-Height Door

VHCT18FH	1493	1627	1710	1805	1891	1980	2119	2230	2357
----------	------	------	------	------	------	------	------	------	------

- Width modification not available
- VHHC has one 35-quart hamper and one 12-quart bin
- Not available in 18" depth
- Soft Close standard
- Add pull-out to VHCTFH; use Pull-out pricing on page 9.5



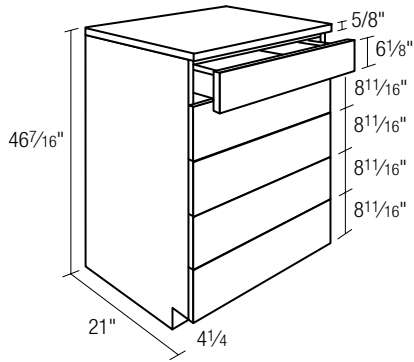
VHHC18FH



VHCT18FH  
with Pull-out upgrade

**NEW!** Vanity Waste Bin Base ... see page 11.35

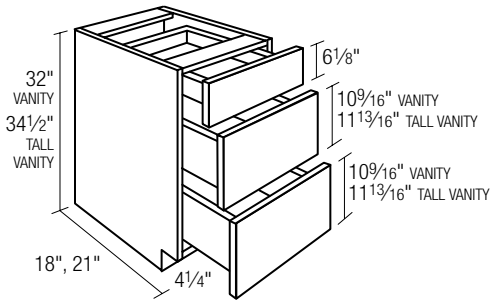
# Vanity Cabinets : Base Cabinets



## Closet Armoire

Price Grade	1	2	3	4	5	6	7	8	9
CA24	1200	1322	1483	1674	1842	2024	2293	2523	2775
CA30	1352	1485	1666	1881	2071	2277	2579	2840	3121
CA2418	1200	1322	1483	1674	1842	2024	2293	2523	2775
CA3018	1352	1485	1666	1881	2071	2277	2579	2840	3121

- Standard with finished 5/8" thick top
- Front edge of top is flush with face of drawer fronts; side edges of top are flush with cabinet sides



## Vanity Drawer Bases

Price Grade	1	2	3	4	5	6	7	8	9
-------------	---	---	---	---	---	---	---	---	---

### Vanity Drawer Base

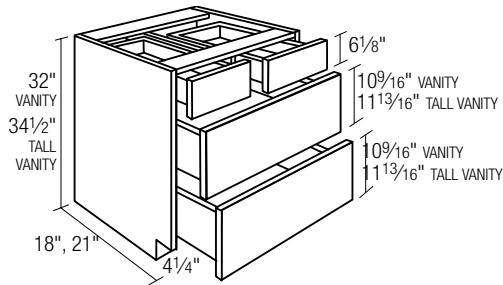
VDB12	624	688	771	869	957	1053	1194	1312	1441
VDB15	686	752	843	951	1050	1158	1307	1437	1581
VDB18	743	821	922	1044	1144	1258	1429	1571	1723
VDB21	805	885	990	1123	1237	1359	1541	1693	1863
VDB24	847	929	1041	1182	1298	1432	1618	1784	1962
VDB27	910	993	1111	1266	1392	1536	1732	1909	2100
VDB30	973	1060	1182	1347	1487	1640	1845	2035	2239
VDB33	1034	1127	1255	1429	1580	1743	1960	2159	2380
VDB36	1096	1193	1327	1511	1674	1847	2072	2285	2520
VDB1218	624	688	771	869	957	1053	1194	1312	1441
VDB1518	686	752	843	951	1050	1158	1307	1437	1581
VDB1818	743	821	922	1044	1144	1258	1429	1571	1723
VDB2118	805	885	990	1123	1237	1359	1541	1693	1863
VDB2418	847	929	1041	1182	1298	1432	1618	1784	1962
VDB2718	910	993	1111	1266	1392	1536	1732	1909	2100
VDB3018	973	1060	1182	1347	1487	1640	1845	2035	2239
VDB3318	1034	1127	1255	1429	1580	1743	1960	2159	2380
VDB3618	1096	1193	1327	1511	1674	1847	2072	2285	2520

- Deep Metal Drawers are not available on cabinets less than 15" deep
- Drawer Bases cannot be modified larger than largest standard SKU

### Tall Vanity Drawer Base

VDBT12	646	707	796	901	989	1091	1234	1360	1493
VDBT15	703	775	871	986	1085	1193	1349	1484	1632
VDBT18	767	843	942	1069	1178	1294	1467	1610	1769
VDBT21	825	910	1022	1156	1270	1395	1580	1738	1911
VDBT24	864	951	1070	1207	1331	1461	1649	1820	2000
VDBT27	929	1019	1141	1290	1422	1563	1769	1950	2140
VDBT30	993	1089	1213	1374	1513	1666	1890	2079	2277
VDBT33	1057	1158	1282	1457	1605	1767	2009	2208	2416
VDBT36	1120	1226	1355	1541	1695	1870	2129	2338	2555
VDBT1218	646	707	796	901	989	1091	1234	1360	1493
VDBT1518	703	775	871	986	1085	1193	1349	1484	1632
VDBT1818	767	843	942	1069	1178	1294	1467	1610	1769
VDBT2118	825	910	1022	1156	1270	1395	1580	1738	1911
VDBT2418	864	951	1070	1207	1331	1461	1649	1820	2000
VDBT2718	929	1019	1141	1290	1422	1563	1769	1950	2140
VDBT3018	993	1089	1213	1374	1513	1666	1890	2079	2277
VDBT3318	1057	1158	1282	1457	1605	1767	2009	2208	2416
VDBT3618	1120	1226	1355	1541	1695	1870	2129	2338	2555

# Vanity Cabinets : Base Cabinets



- Deep Metal Drawers are not available on cabinets less than 15" deep
- Drawer Bases cannot be modified larger than largest standard SKU
- Split Top Drawer requires additional stretchers and reduces the effective storage space below the drawers by 2<sup>1</sup>/<sub>4</sub>"; see drawing on page 9.4

## Vanity Drawer Bases with Split Top Drawer

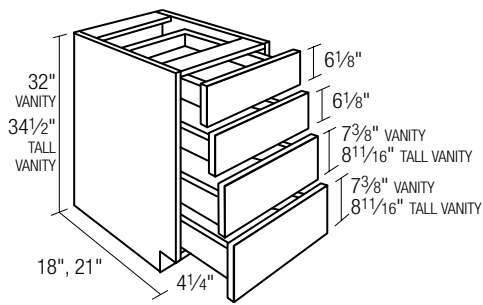
Price Grade	1	2	3	4	5	6	7	8	9
<b>Vanity Drawer Base with Split Top Drawer</b>									
VDB24S	1110	1191	1303	1445	1561	1695	1882	2047	2224
VDB27S	1173	1256	1375	1528	1656	1799	1995	2172	2363
VDB30S	1236	1323	1445	1608	1750	1903	2108	2297	2502
VDB33S	1298	1390	1519	1691	1844	2007	2222	2423	2644
VDB36S	1359	1456	1589	1774	1938	2110	2334	2548	2783
VDB2418S	1110	1191	1303	1445	1561	1695	1882	2047	2224
VDB2718S	1173	1256	1375	1528	1656	1799	1995	2172	2363
VDB3018S	1236	1323	1445	1608	1750	1903	2108	2297	2502
VDB3318S	1298	1390	1519	1691	1844	2007	2222	2423	2644
VDB3618S	1359	1456	1589	1774	1938	2110	2334	2548	2783

## Tall Vanity Drawer Base with Split Top Drawer

VDBT24S	1128	1215	1333	1470	1595	1723	1912	2083	2264
VDBT27S	1191	1282	1405	1552	1685	1827	2032	2214	2404
VDBT30S	1256	1353	1474	1636	1776	1929	2154	2343	2541
VDBT33S	1321	1421	1546	1720	1869	2029	2272	2471	2679
VDBT36S	1384	1490	1618	1804	1959	2133	2391	2601	2819
VDBT2418S	1128	1215	1333	1470	1595	1723	1912	2083	2264
VDBT2718S	1191	1282	1405	1552	1685	1827	2032	2214	2404
VDBT3018S	1256	1353	1474	1636	1776	1929	2154	2343	2541
VDBT3318S	1321	1421	1546	1720	1869	2029	2272	2471	2679
VDBT3618S	1384	1490	1618	1804	1959	2133	2391	2601	2819



# Vanity Cabinets : Base Cabinets



- Deep Metal Drawers are not available on cabinets less than 15" deep
- Drawer Bases cannot be modified larger than largest standard SKU

## Vanity 4-Drawer Bases

Price Grade      1      2      3      4      5      6      7      8      9

### Vanity 4-Drawer Base

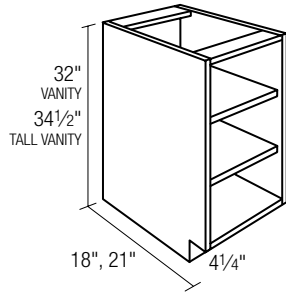
VDB12-4D	705	775	870	985	1078	1190	1343	1478	1626
VDB15-4D	769	846	948	1075	1185	1302	1472	1618	1779
VDB18-4D	831	915	1028	1162	1275	1408	1591	1747	1928
VDB21-4D	929	1022	1144	1300	1430	1571	1778	1955	2148
VDB24-4D	950	1047	1176	1326	1458	1604	1818	1998	2200
VDB27-4D	1005	1108	1238	1405	1543	1696	1924	2111	2325
VDB30-4D	1058	1165	1305	1478	1625	1787	2024	2229	2448
VDB33-4D	1122	1232	1387	1565	1726	1895	2146	2362	2600
VDB36-4D	1168	1280	1439	1625	1787	1968	2229	2448	2694
VDB1218-4D	705	775	870	985	1078	1190	1343	1478	1626
VDB1518-4D	769	846	948	1075	1185	1302	1472	1618	1779
VDB1818-4D	831	915	1028	1162	1275	1408	1591	1747	1928
VDB2118-4D	929	1022	1144	1300	1430	1571	1778	1955	2148
VDB2418-4D	950	1047	1176	1326	1458	1604	1818	1998	2200
VDB2718-4D	1005	1108	1238	1405	1543	1696	1924	2111	2325
VDB3018-4D	1058	1165	1305	1478	1625	1787	2024	2229	2448
VDB3318-4D	1122	1232	1387	1565	1726	1895	2146	2362	2600
VDB3618-4D	1168	1280	1439	1625	1787	1968	2229	2448	2694

### Tall Vanity 4-Drawer Base

VDBT12-4D	727	799	897	1014	1111	1225	1384	1522	1674
VDBT15-4D	792	872	976	1108	1221	1341	1517	1667	1832
VDBT18-4D	856	942	1059	1197	1313	1449	1639	1800	1987
VDBT21-4D	956	1053	1178	1338	1472	1618	1831	2014	2212
VDBT24-4D	978	1078	1211	1366	1502	1653	1873	2058	2265
VDBT27-4D	1035	1141	1276	1446	1590	1747	1981	2175	2395
VDBT30-4D	1089	1200	1344	1522	1673	1841	2085	2296	2522
VDBT33-4D	1156	1270	1429	1611	1778	1952	2210	2432	2678
VDBT36-4D	1202	1318	1483	1673	1841	2027	2296	2522	2775
VDBT1218-4D	727	799	897	1014	1111	1225	1384	1522	1674
VDBT1518-4D	792	872	976	1108	1221	1341	1517	1667	1832
VDBT1818-4D	856	942	1059	1197	1313	1449	1639	1800	1987
VDBT2118-4D	956	1053	1178	1338	1472	1618	1831	2014	2212
VDBT2418-4D	978	1078	1211	1366	1502	1653	1873	2058	2265
VDBT2718-4D	1035	1141	1276	1446	1590	1747	1981	2175	2395
VDBT3018-4D	1089	1200	1344	1522	1673	1841	2085	2296	2522
VDBT3318-4D	1156	1270	1429	1611	1778	1952	2210	2432	2678
VDBT3618-4D	1202	1318	1483	1673	1841	2027	2296	2522	2775

# Vanity : Open Base Cabinets

- Finished Interior standard
- See page 9.1 for Finished Ends



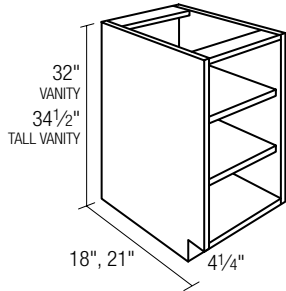
- Two adjustable 3/4"-thick shelves
- Adjustable shelves are not flush with the front of the cabinet; see page 1.7

## Open Shelf Towel Bases

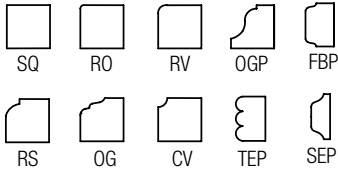
	Melamine	Eurotek	Textured Melamine	Standard Thermofoil	Premium Thermofoil	Wood	Wood Premium	Metal	UltraLux
<b>Open Shelf Towel Base</b>									
VTB18	462	462	554	554	1184			1184	822
VTB21	579	579	695	695	1500			1500	1039
VTB24	701	701	841	841	1812			1812	1255
VTB1818	462	462	554	554	1184			1184	822
VTB2118	579	579	695	695	1500			1500	1039
VTB2418	701	701	841	841	1812			1812	1255

## Tall Open Shelf Towel Base

VTBT18	501	501	601	601	1261			1261	1261
VTBT21	623	623	748	748	1563			1563	1563
VTBT24	750	750	900	900	1872			1872	1872
VTBT1818	501	501	601	601	1261			1261	1261
VTBT2118	623	623	748	748	1563			1563	1563
VTBT2418	750	750	900	900	1872			1872	1872



- Two adjustable 3/4"-thick shelves
- Adjustable shelves are not flush with the front of the cabinet; see page 1.4
- Wood Premium available in Walnut
- Upgrade to optional applied shelf edging; **add 20%**



- Shelf edging not available in Deluxe Veneers
- TEP not available in Red Birch or Alder
- OGP, FBP, TEP, SEP not available in Walnut

## Open Shelf Towel Bases

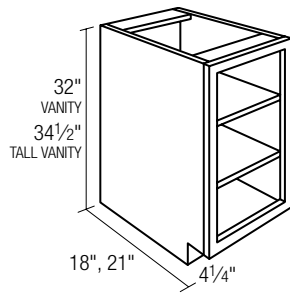
	Melamine	Eurotek	Textured Melamine	Standard Thermofoil	Premium Thermofoil	Wood	Wood Premium	Metal	UltraLux
<b>Open Shelf Towel Base</b>									
V VTB18						1122	1186		
V VTB21						1415	1496		
V VTB24						1682	1778		
V VTB1818						1122	1186		
V VTB2118						1415	1496		
V VTB2418						1682	1778		

## Tall Open Shelf Towel Base

V VTBT18						1169	1236		
V VTBT21						1415	1496		
V VTBT24						1731	1830		
V VTBT1818						1169	1236		
V VTBT2118						1415	1496		
V VTBT2418						1731	1830		

# Vanity : Open Base Cabinets

- Finished Interior standard
- See page 9.1 for Finished Ends



- Two adjustable 3/4"-thick shelves standard
- Adjustable shelves are not flush with the front of the cabinet; see page 1.7
- Frame profile will match door profile
- Wood Premium available in Walnut

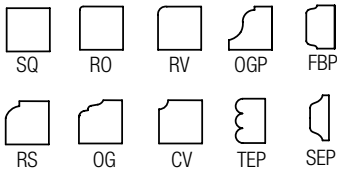
## HOW TO ORDER

### 1. Choose a Frame

- Outside edge of solid wood frame will match door profile
  - Bamboo is only available with Standard frame
- Standard: 1 1/2" wide stiles and rails  
3E: 3" wide stiles with 1 1/2" wide rails  
3FE: 3" wide fluted stiles with 1 1/2" wide rails  
VE: top valance with 2" wide stiles and 1 1/2" wide rails; add 10%

### 2. Upgrade to optional applied shelf edging; add 20%

- Shelf edging not available in Bamboo
- TEP not available in Red Birch or Alder
- OGP, FBP, TEP, SEP not available in Walnut



## Open Shelf Towel Bases

	Textured Melamine	Standard Melamine	Premium Thermofoil	Wood	Wood Premium	Metal	UltraLux
--	-------------------	-------------------	--------------------	------	--------------	-------	----------

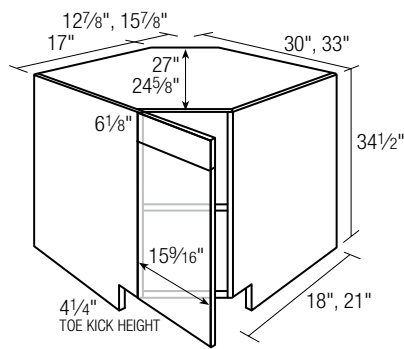
### Open Shelf Towel Base with Frame

VFVTB18				1339	1416		
VFVTB21				1642	1736		
VFVTB24				1912	2021		
VFVTB1818				1339	1416		
VFVTB2118				1642	1736		
VFVTB2418				1912	2021		

### Tall Open Shelf Towel Base with Frame

VFVTBT18				1395	1475		
VFVTBT21				1646	1740		
VFVTBT24				1968	2080		
VFVTBT1818				1395	1475		
VFVTBT2118				1646	1740		
VFVTBT2418				1968	2080		

## Vanity Cabinets : Corner Cabinets



### Tall Vanity Diagonal Corner Base

Price Grade	1	2	3	4	5	6	7	8	9
-------------	---	---	---	---	---	---	---	---	---

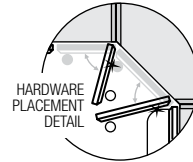
### Tall Vanity Diagonal Corner Base

VDCBT30-18	797	875	985	1112	1226	1349	1525	1677	1844
VDCBT33	797	875	985	1112	1226	1349	1525	1677	1844

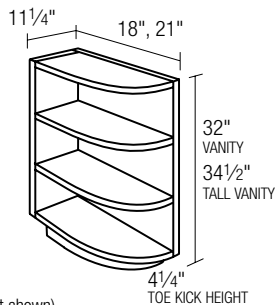
### Tall Vanity Diagonal Corner Base; Full-Height Door

VDCBT30-18FH	797	875	985	1112	1226	1349	1525	1677	1844
VDCBT33FH	797	875	985	1112	1226	1349	1525	1677	1844

- False drawer front standard
- **Plymouth and Frisco** and **York** door styles available with Full-Height Door only
- Designate L/R hinge (left shown)
- Placement of decorative hardware next to a protruding cabinet or appliance may interfere with door fully opening; Filler may be required; see detail
- Pull-outs not available
- Use Corner Cabinet Modification Form when requesting a modification; see **OneTouch**
- Not available in Fineline, Slimline or Broadline Metal door styles



## Vanity Cabinets : End Cabinets



- Designate L/R (left shown)
- Two fixed shelves
- Finished Interior standard
- Finished back and end not available
- Wood Premium available in Walnut

### Whatnot Cabinets

	Melamine	Eurotek	Textured Melamine	Standard Thermofoil	Premium Thermofoil	Wood	Wood Premium	Metal	UltraLux
--	----------	---------	-------------------	---------------------	--------------------	------	--------------	-------	----------

### Vanity Whatnot

VWN12	720		864	864	1682	1352	1429	1682	1682
VWN1218	720		864	864	1682	1352	1429	1682	1682

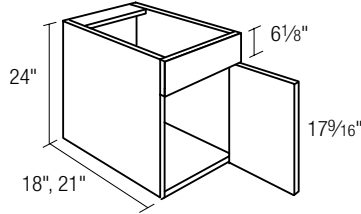
### Tall Vanity Whatnot

VWNT12	741		889	889	1183	1375	1454	1709	1709
VWNT1218	741		889	889	1183	1375	1454	1709	1709

# Vanity Cabinets : Wall-Hung Sink Base Cabinets

## FOR ALL WALL-HUNG VANITY SINK BASES

- Designate L/R hinge (right shown) on single door cabinets
- Price includes a matching Touch-Up Kit
- No line boring
- Cabinets must be securely fastened with sufficient type, quantity and size of screws to wall studs and internal structural wall blocking placed between wall studs; **additionally, Hanging Vanity Brackets are available on page 17.13**
- Do not exceed loading of 25lbs./sq.ft. for countertop and sink
- Do not exceed loading of 15lbs./sq.ft. for contents on shelves and/or drawers
- Avoid use of concrete or other heavy masonry countertops
- Installation to be performed by qualified professionals only



- Full-Height door is 23<sup>13</sup>/<sub>16</sub>" high
- Tilt-out Tray Option available; see page 9.6

### Vanity Wall-Hung Sink Base – 18", 21" Wide

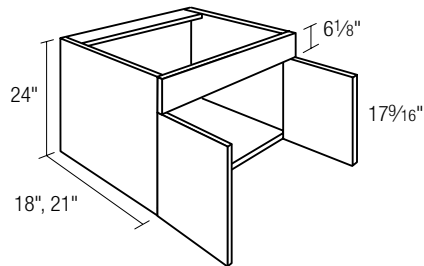
Price Grade	1	2	3	4	5	6	7	8	9
-------------	---	---	---	---	---	---	---	---	---

### Vanity Wall-Hung Sink Base – 18", 21" Wide

HVS18	504	557	623	703	773	854	959	1055	1165
HVS21	526	578	647	731	806	884	1005	1102	1217
HVS1818	504	557	623	703	773	854	959	1055	1165
HVS2118	526	578	647	731	806	884	1005	1102	1217

### Vanity Wall-Hung Sink Base – 18", 21" Wide; Full-Height Door

HVS18FH	431	488	553	636	704	784	891	989	1099
HVS21FH	449	510	578	665	741	816	939	1035	1150
HVS1818FH	431	488	553	636	704	784	891	989	1099
HVS2118FH	449	510	578	665	741	816	939	1035	1150



- Full-Height door is 23<sup>13</sup>/<sub>16</sub>" high
- Tilt-out Tray Option available; see page 9.6

### Vanity Wall-Hung Sink Base – 24"-36" Wide

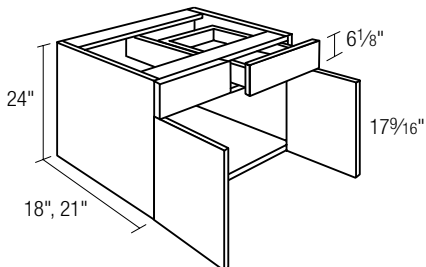
Price Grade	1	2	3	4	5	6	7	8	9
-------------	---	---	---	---	---	---	---	---	---

### Vanity Wall-Hung Sink Base – 24", 36" Wide

HVS24	542	597	673	761	833	920	1045	1146	1262
HVS27	565	621	697	783	864	950	1081	1190	1305
HVS30	586	644	720	816	898	988	1123	1233	1355
HVS33	604	665	747	843	929	1017	1156	1268	1394
HVS36	624	688	771	869	957	1053	1194	1312	1441
HVS2418	542	597	673	761	833	920	1045	1146	1262
HVS2718	565	621	697	783	864	950	1081	1190	1305
HVS3018	586	644	720	816	898	988	1123	1233	1355
HVS3318	604	665	747	843	929	1017	1156	1268	1394
HVS3618	624	688	771	869	957	1053	1194	1312	1441

### Vanity Wall-Hung Sink Base – 24", 36" Wide; Full-Height Door

HVS24FH	471	532	605	693	767	854	977	1080	1195
HVS27FH	490	554	630	719	799	883	1014	1123	1238
HVS30FH	510	576	652	750	832	920	1054	1165	1288
HVS33FH	531	597	680	776	861	950	1089	1200	1328
HVS36FH	550	620	703	802	889	987	1127	1245	1375
HVS2418FH	471	532	605	693	767	854	977	1080	1195
HVS2718FH	490	554	630	719	799	883	1014	1123	1238
HVS3018FH	510	576	652	750	832	920	1054	1165	1288
HVS3318FH	531	597	680	776	861	950	1089	1200	1328
HVS3618FH	550	620	703	802	889	987	1127	1245	1375



- Designate "-L" or "-R" to identify the side with the FALSE drawer front (left shown)
- Tilt-out Tray Option available; see page 9.6

### Vanity Wall-Hung Offset Sink Base – 24", 36" Wide

Price Grade	1	2	3	4	5	6	7	8	9
-------------	---	---	---	---	---	---	---	---	---

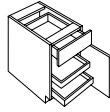
HVS24FF	805	860	937	1024	1096	1183	1308	1410	1525
HVS27FF	828	884	960	1047	1128	1214	1343	1453	1569
HVS30FF	850	908	984	1080	1162	1251	1386	1495	1618
HVS33FF	865	929	1011	1107	1191	1280	1418	1530	1658
HVS36FF	887	951	1034	1131	1220	1316	1457	1576	1704
HVS2418FF	805	860	937	1024	1096	1183	1308	1410	1525
HVS2718FF	828	884	960	1047	1128	1214	1343	1453	1569
HVS3018FF	850	908	984	1080	1162	1251	1386	1495	1618
HVS3318FF	865	929	1011	1107	1191	1280	1418	1530	1658
HVS3618FF	887	951	1034	1131	1220	1316	1457	1576	1704

# Vanity Cabinets : Wall-Hung Cabinets

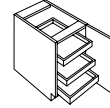
## FOR ALL WALL-HUNG VANITY BASES

- Designate L/R hinge (right shown) on single door cabinets
- One adjustable shelf
- Cabinets must be securely fastened with sufficient type, quantity and size of screws to wall studs and internal structural wall blocking placed between wall studs; **additionally, Hanging Vanity Brackets are available on page 17.13**
- Do not exceed loading of 25lbs./sq.ft. for countertop and sink
- Do not exceed loading of 15lbs./sq.ft. for contents on shelves and/or drawers
- Avoid use of concrete or other heavy masonry countertops
- Installation to be performed by qualified professionals only

## Vanity Pull-out Option (factory installed)



Maximum Number of Pull-outs:  
 2 in a Vanity with drawer.  
 4 in a Vanity without drawer.  
 3 in a Tall Vanity with drawer.  
 5 in a Tall Vanity without drawer.



When one Pull-out is ordered it is placed in the bottom of the cabinet and the shelf remains.

When two or more Pull-outs are ordered the shelf is removed.

Kessebohmer Pull-outs are not available in modified widths, only available in 24" depths.

Prices are per Pull-out.

## SKU

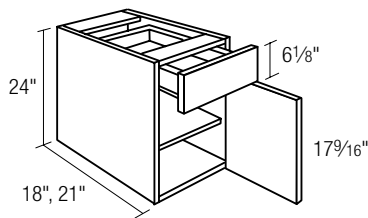
## List Price

SKU	List Price
DOVETAIL PULL-OUT W/SOFT CLOSE IN BIRCH	
Cabinets 12" to 21" wide DOVEPO	176
Cabinets over 21" wide DOVEPOW	203

SKU	List Price
DOVETAIL PULL-OUT W/SOFT CLOSE IN WALNUT	
Cabinets 12" to 21" wide DOVEPO	231
Cabinets over 21" wide DOVEPOW	264

SKU	List Price
METAL PULL-OUT	
Cabinets 12" to 21" wide METALPO	311
Cabinets over 21" wide METALPOW	338

SKU	List Price
KESSEBOHMER PULL-OUT	
Cabinets 15", 18" & 21" wide KSBPO	917
Cabinets 24" wide KSBPOW	971



- Full-Height door is 23<sup>13</sup>/<sub>16</sub>" high

## Vanity Wall-Hung Base – 12"-21" Wide

Price Grade	1	2	3	4	5	6	7	8	9
-------------	---	---	---	---	---	---	---	---	---

## Vanity Wall-Hung Base – 12", 21" Wide

HV12	483	533	598	673	742	816	923	1017	1123
HV15	504	557	623	703	773	854	959	1055	1165
HV18	526	578	647	731	806	884	1005	1102	1217
HV21	542	597	673	761	833	920	1045	1146	1262
HV1218	483	533	598	673	742	816	923	1017	1123
HV1518	504	557	623	703	773	854	959	1055	1165
HV1818	526	578	647	731	806	884	1005	1102	1217
HV2118	542	597	673	761	833	920	1045	1146	1262

## Vanity Wall-Hung Base – 12", 21" Wide; Full-Height Door

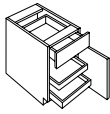
HV12FH	411	465	530	608	673	750	857	950	1054
HV15FH	431	488	553	636	704	784	891	989	1099
HV18FH	449	510	578	665	741	816	939	1035	1150
HV21FH	471	532	605	693	767	854	977	1080	1195
HV1218FH	411	465	530	608	673	750	857	950	1054
HV1518FH	431	488	553	636	704	784	891	989	1099
HV1818FH	449	510	578	665	741	816	939	1035	1150
HV2118FH	471	532	605	693	767	854	977	1080	1195

# Vanity Cabinets : Wall-Hung Cabinets

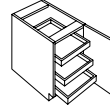
## FOR ALL WALL-HUNG VANITY BASES

- Designate L/R hinge (right shown) on single door cabinets
- One adjustable shelf
- Cabinets must be securely fastened with sufficient type, quantity and size of screws to wall studs and internal structural wall blocking placed between wall studs; **additionally, Hanging Vanity Brackets are available on page 17.13**
- Do not exceed loading of 25lbs./sq.ft. for countertop and sink
- Do not exceed loading of 15lbs./sq.ft. for contents on shelves and/or drawers
- Avoid use of concrete or other heavy masonry countertops
- Installation to be performed by qualified professionals only

## Vanity Pull-out Option (factory installed)



Maximum Number of Pull-outs:  
 2 in a Vanity with drawer.  
 4 in a Vanity without drawer.  
 3 in a Tall Vanity with drawer.  
 5 in a Tall Vanity without drawer.



When one Pull-out is ordered it is placed in the bottom of the cabinet and the shelf remains.

When two or more Pull-outs are ordered the shelf is removed.

Kessebohrer Pull-outs are not available in modified widths, only available in 24" depths.

Prices are per Pull-out.

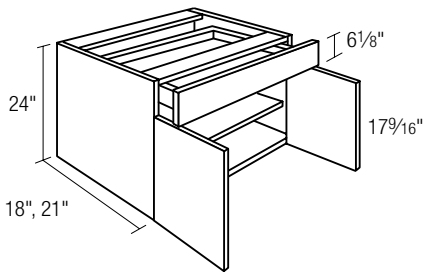
SKU List Price

DOVETAIL PULL-OUT W/SOFT CLOSE IN BIRCH		
Cabinets 12" to 21" wide	DOVEPO	176
Cabinets over 21" wide	DOVEPOW	203

DOVETAIL PULL-OUT W/SOFT CLOSE IN WALNUT		
Cabinets 12" to 21" wide	DOVEPO	231
Cabinets over 21" wide	DOVEPOW	264

METAL PULL-OUT		
Cabinets 12" to 21" wide	METALPO	311
Cabinets over 21" wide	METALPOW	338

KESSEBOHRER PULL-OUT		
Cabinets 15", 18" & 21" wide	KSBPO	917
Cabinets 24" wide	KSBPOW	971



- Full-Height door is 23<sup>13</sup>/<sub>16</sub>" high

## Vanity Wall-Hung Base – 24"-36" Wide

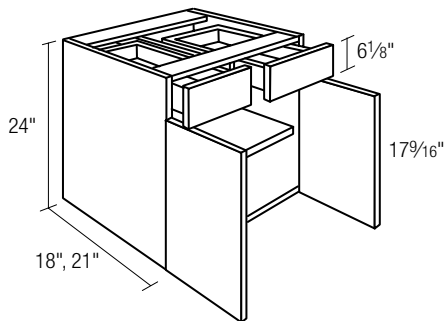
Price Grade	1	2	3	4	5	6	7	8	9
-------------	---	---	---	---	---	---	---	---	---

### Vanity Wall-Hung Base – 24", 36" Wide

HV24	565	621	697	783	864	950	1081	1190	1305
HV27	586	644	720	816	898	988	1123	1233	1355
HV30	604	665	747	843	929	1017	1156	1268	1394
HV33	624	688	771	869	957	1053	1194	1312	1441
HV36	646	707	796	901	989	1091	1234	1360	1493
HV2418	565	621	697	783	864	950	1081	1190	1305
HV2718	586	644	720	816	898	988	1123	1233	1355
HV3018	604	665	747	843	929	1017	1156	1268	1394
HV3318	624	688	771	869	957	1053	1194	1312	1441
HV3618	646	707	796	901	989	1091	1234	1360	1493

### Vanity Wall-Hung Base – 24", 36" Wide; Full-Height Door

HV24FH	490	554	630	719	799	883	1014	1123	1238
HV27FH	510	576	652	750	832	920	1054	1165	1288
HV30FH	531	597	680	776	861	950	1089	1200	1328
HV33FH	550	620	703	802	889	987	1127	1245	1375
HV36FH	571	641	726	833	921	1023	1166	1293	1427
HV2418FH	490	554	630	719	799	883	1014	1123	1238
HV2718FH	510	576	652	750	832	920	1054	1165	1288
HV3018FH	531	597	680	776	861	950	1089	1200	1328
HV3318FH	550	620	703	802	889	987	1127	1245	1375
HV3618FH	571	641	726	833	921	1023	1166	1293	1427



- Split Top Drawer requires additional stretchers and reduces the effective storage space below the drawers by 2<sup>1</sup>/<sub>4</sub>"; see drawing on page 9.4

## Vanity Wall-Hung Base – 24"-36" Wide with Split Top Drawer

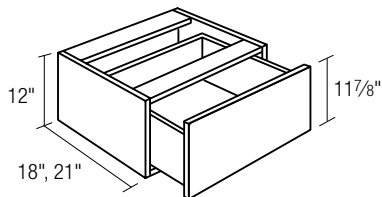
Price Grade	1	2	3	4	5	6	7	8	9
-------------	---	---	---	---	---	---	---	---	---

HV24S	828	884	960	1047	1128	1214	1343	1453	1569
HV27S	850	908	984	1080	1162	1251	1386	1495	1618
HV30S	865	929	1011	1107	1191	1280	1418	1530	1658
HV33S	887	951	1034	1131	1220	1316	1457	1576	1704
HV36S	910	969	1059	1164	1252	1355	1496	1624	1756
HV2418S	828	884	960	1047	1128	1214	1343	1453	1569
HV2718S	850	908	984	1080	1162	1251	1386	1495	1618
HV3018S	865	929	1011	1107	1191	1280	1418	1530	1658
HV3318S	887	951	1034	1131	1220	1316	1457	1576	1704
HV3618S	910	969	1059	1164	1252	1355	1496	1624	1756

# Vanity Cabinets : Wall-Hung Drawer Base Cabinets

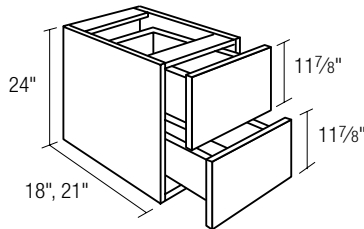
## FOR ALL WALL-HUNG VANITY DRAWER BASES

- Deep Metal Drawers are not available on cabinets less than 15" deep
- Drawer Bases cannot be modified larger than largest standard SKU
- Cabinets must be securely fastened with sufficient type, quantity and size of screws to wall studs and internal structural wall blocking placed between wall studs;  
 additionally, [Hanging Vanity Brackets are available on page 17.13](#)
- Do not exceed loading of 25lbs./sq.ft. for countertop and sink
- Do not exceed loading of 15lbs./sq.ft. for contents on shelves and/or drawers
- Avoid use of concrete or other heavy masonry countertops
- Installation to be performed by qualified professionals only



### Wall-Hung Vanity 1-Drawer Base

Price Grade	1	2	3	4	5	6	7	8	9
HV121D	508	553	621	702	779	851	953	1062	1168
HV151D	518	576	649	736	807	893	1004	1108	1225
HV181D	538	607	676	760	837	923	1040	1146	1260
HV211D	564	617	701	795	877	966	1082	1196	1323
HV241D	586	648	728	818	902	986	1126	1238	1361
HV271D	589	658	737	827	916	1004	1139	1251	1385
HV301D	611	675	760	868	951	1044	1179	1307	1436
HV331D	633	701	791	893	977	1078	1225	1351	1475
HV361D	660	719	807	914	1003	1105	1252	1371	1503
HV121D18	508	553	621	702	779	851	953	1062	1168
HV151D18	518	576	649	736	807	893	1004	1108	1225
HV181D18	538	607	676	760	837	923	1040	1146	1260
HV211D18	564	617	701	795	877	966	1082	1196	1323
HV241D18	586	648	728	818	902	986	1126	1238	1361
HV271D18	589	658	737	827	916	1004	1139	1251	1385
HV301D18	611	675	760	868	951	1044	1179	1307	1436
HV331D18	633	701	791	893	977	1078	1225	1351	1475
HV361D18	660	719	807	914	1003	1105	1252	1371	1503



### Wall-Hung Vanity 2-Drawer Base

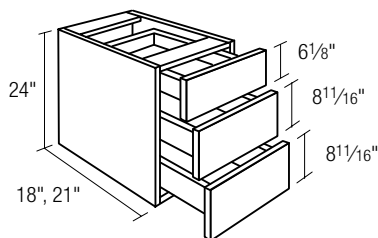
Price Grade	1	2	3	4	5	6	7	8	9
HV122D	556	609	685	773	854	934	1055	1165	1281
HV152D	571	632	711	802	882	973	1099	1210	1333
HV182D	592	657	737	830	913	1007	1137	1253	1377
HV212D	615	674	761	861	947	1044	1174	1296	1429
HV242D	636	700	785	884	976	1072	1217	1337	1471
HV272D	654	722	809	913	1007	1105	1253	1377	1517
HV302D	673	744	834	945	1041	1143	1294	1428	1569
HV332D	694	767	860	973	1069	1178	1333	1467	1610
HV362D	717	787	883	1000	1098	1207	1367	1501	1649
HV122D18	556	609	685	773	854	934	1055	1165	1281
HV152D18	571	632	711	802	882	973	1099	1210	1333
HV182D18	592	657	737	830	913	1007	1137	1253	1377
HV212D18	615	674	761	861	947	1044	1174	1296	1429
HV242D18	636	700	785	884	976	1072	1217	1337	1471
HV272D18	654	722	809	913	1007	1105	1253	1377	1517
HV302D18	673	744	834	945	1041	1143	1294	1428	1569
HV332D18	694	767	860	973	1069	1178	1333	1467	1610
HV362D18	717	787	883	1000	1098	1207	1367	1501	1649



# Vanity Cabinets : Wall-Hung Drawer Base Cabinets

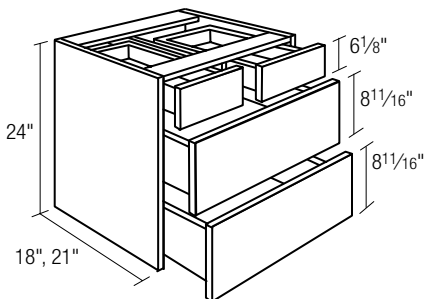
## FOR ALL WALL-HUNG VANITY DRAWER BASES

- Deep Metal Drawers are not available on cabinets less than 15" deep
- Drawer Bases cannot be modified larger than largest standard SKU
- Cabinets must be securely fastened with sufficient type, quantity and size of screws to wall studs and internal structural wall blocking placed between wall studs; additionally, [Hanging Vanity Brackets are available on page 17.13](#)
- Do not exceed loading of 25lbs./sq.ft. for countertop and sink
- Do not exceed loading of 15lbs./sq.ft. for contents on shelves and/or drawers
- Avoid use of concrete or other heavy masonry countertops
- Installation to be performed by qualified professionals only



### Wall-Hung Vanity 3-Drawer Base

Price Grade	1	2	3	4	5	6	7	8	9
HV123D	604	665	747	843	929	1017	1156	1268	1394
HV153D	624	688	771	869	957	1053	1194	1312	1441
HV183D	646	707	796	901	989	1091	1234	1360	1493
HV213D	666	731	821	929	1017	1122	1268	1394	1534
HV243D	686	752	843	951	1050	1158	1307	1437	1581
HV273D	717	787	883	1000	1098	1207	1367	1501	1649
HV303D	737	811	909	1023	1130	1243	1408	1547	1701
HV333D	755	831	931	1053	1161	1277	1441	1583	1746
HV363D	774	855	959	1085	1193	1308	1484	1632	1793
HV123D18	604	665	747	843	929	1017	1156	1268	1394
HV153D18	624	688	771	869	957	1053	1194	1312	1441
HV183D18	646	707	796	901	989	1091	1234	1360	1493
HV213D18	666	731	821	929	1017	1122	1268	1394	1534
HV243D18	686	752	843	951	1050	1158	1307	1437	1581
HV273D18	717	787	883	1000	1098	1207	1367	1501	1649
HV303D18	737	811	909	1023	1130	1243	1408	1547	1701
HV333D18	755	831	931	1053	1161	1277	1441	1583	1746
HV363D18	774	855	959	1085	1193	1308	1484	1632	1793

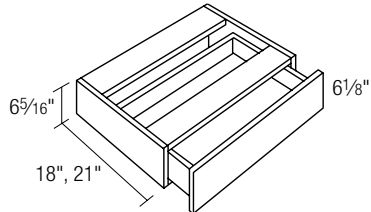


### Wall-Hung Vanity 4-Drawer Base with Split Top Drawer

Price Grade	1	2	3	4	5	6	7	8	9
HV243DS	949	1016	1107	1215	1313	1421	1570	1700	1845
HV273DS	979	1050	1146	1263	1360	1470	1631	1765	1912
HV303DS	998	1074	1171	1285	1393	1506	1671	1810	1965
HV333DS	1018	1094	1194	1316	1423	1541	1704	1847	2008
HV363DS	1036	1118	1222	1349	1456	1571	1747	1894	2056
HV243D18S	949	1016	1107	1215	1313	1421	1570	1700	1845
HV273D18S	979	1050	1146	1263	1360	1470	1631	1765	1912
HV303D18S	998	1074	1171	1285	1393	1506	1671	1810	1965
HV333D18S	1018	1094	1194	1316	1423	1541	1704	1847	2008
HV363D18S	1036	1118	1222	1349	1456	1571	1747	1894	2056

- Split Top Drawer requires additional stretchers and reduces the effective storage space below the drawers by 2 1/4"; see drawing on page 9.4

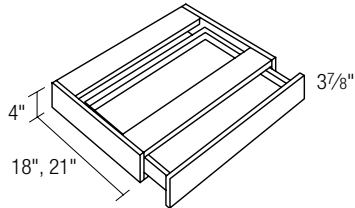
# Vanity Cabinets : Hanging Drawers



- Aligns with adjacent drawer fronts
- Height reduction not available; increase height of HD SKU

## Hanging Drawer – 6"

Price Grade	1	2	3	4	5	6	7	8	9
VHD18	354	387	434	489	538	592	672	740	815
VHD21	362	399	449	509	558	614	693	764	841
VHD24	375	412	460	518	572	629	712	781	862
VHD30	404	444	499	563	620	680	770	847	931
VHD18-18	354	387	434	489	538	592	672	740	815
VHD21-18	362	399	449	509	558	614	693	764	841
VHD24-18	375	412	460	518	572	629	712	781	862
VHD30-18	404	444	499	563	620	680	770	847	931



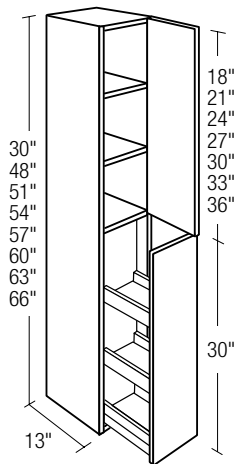
- Offers greater clearance than the 6" Hanging Drawer but does not align with adjacent drawer fronts
- 5-piece Drawer Fronts not available
- Metal Drawer not available
- Not available in Eurotek Cape May, Clermont or Lakehurst

## Hanging Drawer – 4"

Price Grade	1	2	3	4	5	6	7	8	9
HD18	354	387	434	489	538	592	672	740	815
HD21	362	399	449	509	558	614	693	764	841
HD24	375	412	460	518	572	629	712	781	862
HD27	385	426	479	540	593	655	740	814	896
HD30	404	444	499	563	620	680	770	847	931
HD36	431	477	533	607	664	726	826	907	1000
HD18-18	354	387	434	489	538	592	672	740	815
HD21-18	362	399	449	509	558	614	693	764	841
HD24-18	375	412	460	518	572	629	712	781	862
HD27-18	385	426	479	540	593	655	740	814	896
HD30-18	404	444	499	563	620	680	770	847	931
HD36-18	431	477	533	607	664	726	826	907	1000

# Vanity Cabinets : Countertop Hutch with Century Pull-out Organizer

NEW!



## Vanity Hutch with Century Pull-out Organizer

Price Grade	1	2	3	4	5	6	7	8	9
VHORG930	2319	2373	2449	2537	2616	2698	2824	2930	3048
VHORG1230	2496	2551	2630	2721	2802	2887	3016	3126	3247
VHSTORG948	2348	2405	2485	2578	2661	2747	2879	2991	3115
VHSTORG1248	2526	2584	2666	2762	2848	2938	3074	3189	3317
VHSTORG951	2378	2438	2522	2619	2706	2797	2935	3053	3183
VHSTORG1251	2556	2618	2704	2805	2894	2989	3132	3253	3387
VHSTORG954	2409	2472	2560	2662	2754	2849	2994	3118	3254
VHSTORG1254	2588	2653	2743	2850	2943	3042	3193	3320	3461
VHSTORG957	2442	2508	2600	2708	2805	2904	3057	3186	3330
VHSTORG1257	2622	2690	2785	2897	2994	3099	3257	3390	3538
VHSTORG960	2476	2546	2642	2756	2858	2962	3122	3258	3409
VHSTORG1260	2657	2729	2829	2946	3049	3158	3324	3464	3620
VHSTORG963	2512	2586	2687	2806	2913	3022	3191	3333	3492
VHSTORG1263	2694	2770	2874	2998	3106	3221	3394	3542	3706
VHSTORG966	2550	2627	2734	2859	2971	3086	3263	3412	3579
VHSTORG1266	2734	2813	2922	3053	3166	3286	3469	3623	3795

- In upper section, 48" high cabinet has no adjustable shelves; 51", 54", 57" high have one adjustable shelf; 60", 63", 66" high have two adjustable shelves
- 30" high is lower, pull-out section only
- Intermediate floor is split between upper and lower doors
- Not available with Metal door styles
- Prep For Glass modification applies to upper section only, but entire cabinet will have Finished Interior; for other configurations, add reconfigure charge and submit drawing

- To perfectly align the top of the Hutch with the tops of adjacent tall cabinets, modify the Hutch height. Heights of Vanity cabinets, Tall Vanity cabinets, and countertops vary. Hutch height = Tall cabinet height minus Base cabinet height, minus countertop height
- Height modification applied to upper section only; height of lower section cannot be modified
- Reduce Width and Reduce Depth modifications not available

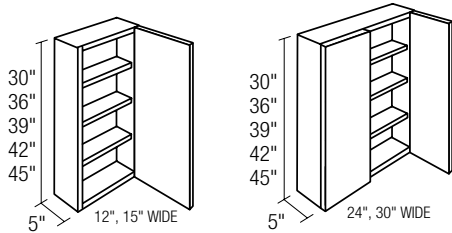
### Century Organizer:

- Solid Maple with Natural finish
- Pulls out with the door
- One fixed shelf; two adjustable shelves
- Soft Close standard
- Upper right side will not have a drawer glide attached

# Vanity Cabinets : Medicine Cabinets

FOR ALL MEDICINE CABINETS

- Designate L/R hinge (right shown) on single-door cabinets
- Doors prepared for mirror available in Frame style only



- Three adjustable shelves; four with 42" high
- Finished Ends standard

## Medicine Cabinets

Price Grade	1	2	3	4	5	6	7	8	9
-------------	---	---	---	---	---	---	---	---	---

### Medicine Cabinet – 12", 15" Wide

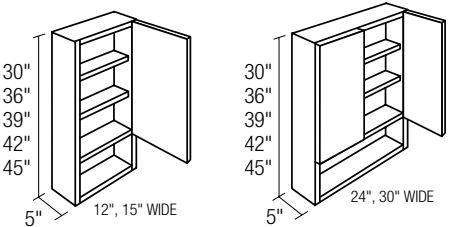
MC1230	382	421	472	534	585	644	726	801	883
MC1530	467	513	577	651	712	782	888	977	1074
MC1236	435	478	537	608	666	732	828	913	1005
MC1536	475	526	590	665	731	803	912	1002	1100
MC1239	446	488	549	623	686	751	851	936	1029
MC1539	479	529	593	670	741	812	921	1013	1112
MC1242	458	501	560	636	702	770	871	959	1053
MC1542	483	534	600	677	748	824	933	1023	1129
MC1245	470	514	572	648	720	788	891	981	1076
MC1545	488	540	605	686	755	834	944	1034	1146

### Medicine Cabinet – 24", 30" Wide

MC2430	542	597	675	763	834	922	1046	1146	1263
MC3030	628	689	771	871	961	1057	1200	1321	1453
MC2436	628	689	771	871	961	1057	1200	1321	1453
MC3036	692	767	860	973	1063	1169	1325	1458	1605
MC2439	672	740	828	939	1030	1136	1285	1415	1556
MC3039	752	830	931	1051	1153	1271	1435	1581	1741
MC2442	719	791	887	1004	1100	1213	1373	1507	1660
MC3042	814	891	1003	1131	1245	1368	1547	1705	1875
MC2445	766	841	947	1069	1170	1289	1459	1599	1764
MC3045	876	953	1075	1211	1336	1467	1659	1828	2009

## Medicine Cabinets with Shelf

Price Grade	1	2	3	4	5	6	7	8	9
-------------	---	---	---	---	---	---	---	---	---



- Two adjustable shelves; three with 42" high
- Finished Ends and Finished Interior standard
- Open Shelf inside dimensions: 30" high = 5<sup>11</sup>/<sub>16</sub>";  
36" high = 5<sup>5</sup>/<sub>8</sub>"; 42" high = 4<sup>7</sup>/<sub>16</sub>"

### Medicine Cabinet – 12", 15" Wide, Open Shelf

MCS1230	415	455	510	578	636	702	796	871	959
MCS1530	483	534	600	677	748	824	933	1023	1129
MCS1236	458	501	560	636	702	770	871	959	1053
MCS1536	508	560	628	708	778	858	974	1070	1174
MCS1239	477	522	589	665	732	804	912	1004	1105
MCS1539	540	594	664	754	827	914	1034	1137	1250
MCS1242	498	545	616	694	765	841	951	1048	1158
MCS1542	571	629	703	800	877	969	1096	1203	1325
MCS1245	518	569	643	723	796	878	990	1092	1211
MCS1545	603	662	744	846	926	1024	1157	1271	1400

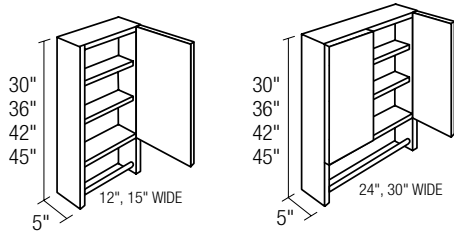
### Medicine Cabinet – 24", 30" Wide, Open Shelf

MCS2430	577	636	717	808	891	978	1105	1217	1340
MCS3030	659	727	816	922	1015	1118	1263	1393	1530
MCS2436	659	727	816	922	1015	1118	1263	1393	1530
MCS3036	754	830	930	1050	1158	1273	1438	1582	1743
MCS2439	717	795	888	1007	1104	1216	1376	1517	1668
MCS3039	830	913	1022	1156	1273	1400	1581	1741	1915
MCS2442	774	857	959	1089	1195	1313	1489	1640	1804
MCS3042	905	995	1117	1260	1388	1526	1724	1900	2092
MCS2445	831	920	1029	1171	1285	1412	1602	1763	1940
MCS3045	979	1077	1213	1363	1503	1654	1866	2058	2267

# Vanity Cabinets : Medicine Cabinets

FOR ALL MEDICINE CABINETS

- Designate L/R hinge (right shown) on single-door cabinets
- Doors prepared for mirror available in Frame style only



- Two adjustable shelves; three with 42" high
- Chrome Towel Bar
- Finished Ends and Finished Interior standard
- Towel Bar space dimensions: 30" high = 6 1/8"; 36" high = 6 1/4"; 42" high = 5 1/16"

## Medicine Cabinets with Towel Bar

Price Grade	1	2	3	4	5	6	7	8	9
-------------	---	---	---	---	---	---	---	---	---

### Medicine Cabinet – 12", 15" Wide, Towel Bar

MCB1230	435	478	537	608	666	732	828	913	1005
MCB1530	508	560	628	708	778	858	974	1070	1174
MCB1236	475	526	590	665	731	803	912	1002	1100
MCB1536	529	584	652	740	814	894	1011	1110	1224
MCB1242	520	571	641	724	800	877	995	1096	1203
MCB1542	590	654	731	826	910	1002	1133	1247	1368
MCB1245	566	616	692	783	868	950	1078	1190	1307
MCB1545	657	722	811	912	1006	1110	1254	1384	1514

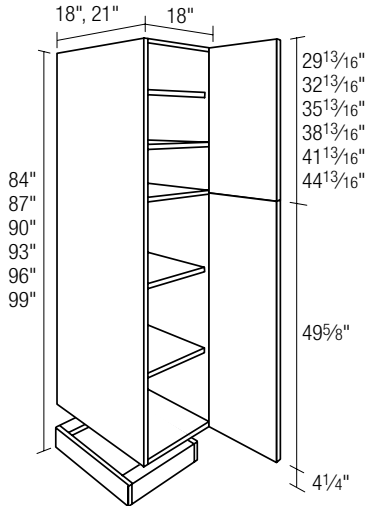
### Medicine Cabinet – 24", 30" Wide, Towel Bar

MCB2430	528	642	708	812	898	984	1118	1224	1351
MCB3030	603	727	801	918	1015	1118	1266	1391	1528
MCB2436	603	727	801	918	1015	1118	1266	1391	1528
MCB3036	681	828	910	1051	1153	1271	1437	1583	1742
MCB2442	703	852	934	1080	1190	1307	1482	1626	1792
MCB3042	816	984	1081	1246	1375	1511	1709	1881	2072
MCB2445	805	976	1067	1241	1364	1496	1697	1860	2055
MCB3045	952	1139	1251	1440	1596	1750	1981	2178	2401

# Vanity Cabinets : Tall Cabinets

FOR ALL VANITY LINEN AND VANITY HAMPER CABINETS

- Designate L/R hinge (right shown)
- Toe Base Platform shipped unattached
- For doors prepared for glass specify top, bottom, or both
- **Thermofoil and Textured Melamine horizontal patterns and grains will run vertically on all Tall cabinets (except 3 Door Tall Cabinets), end panels, and doors more than 46½" high**



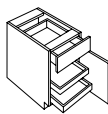
- 84", 87" and 90" high have one fixed shelf and four adjustable shelves; 93", 96" and 99" high have one fixed shelf and five adjustable shelves
- Additional shelves may be ordered as accessory item; see page 17.2
- Hamper Kit does not fit in 18" deep cabinet
- Pull-outs available; Pull-outs will replace shelves

## Vanity Linen

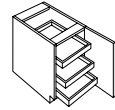
Price Grade	1	2	3	4	5	6	7	8	9
VL1884	977	1074	1209	1362	1501	1648	1869	2057	2262
VL1887	1021	1124	1262	1427	1570	1726	1953	2151	2365
VL1890	1067	1174	1315	1490	1639	1805	2037	2244	2469
VL1893	1128	1241	1390	1576	1731	1906	2154	2372	2609
VL1896	1190	1307	1464	1660	1822	2005	2271	2499	2748
VL1899	1251	1375	1538	1744	1914	2106	2389	2627	2887
VL188418	977	1074	1209	1362	1501	1648	1869	2057	2262
VL188718	1021	1124	1262	1427	1570	1726	1953	2151	2365
VL189018	1067	1174	1315	1490	1639	1805	2037	2244	2469
VL189318	1128	1241	1390	1576	1731	1906	2154	2372	2609
VL189618	1190	1307	1464	1660	1822	2005	2271	2499	2748
VL189918	1251	1375	1538	1744	1914	2106	2389	2627	2887

One Hamper Kit available for \$331

## Vanity Pull-out Option (factory installed)



Maximum Number of Pull-outs:  
 2 in a Vanity with drawer.  
 4 in a Vanity without drawer.  
 3 in a Tall Vanity with drawer.  
 5 in a Tall Vanity without drawer.



When one Pull-out is ordered it is placed in the bottom of the cabinet and the shelf remains.

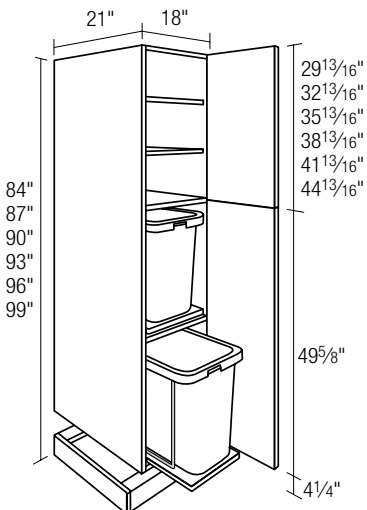
When two or more Pull-outs are ordered the shelf is removed.

Kessebohmer Pull-outs are not available in modified widths, only available in 24" depths.

Prices are per Pull-out.

SKU List Price

DOVETAIL PULL-OUT W/SOFT CLOSE IN BIRCH		
Cabinets 12" to 21" wide	DOVEPO	176
Cabinets over 21" wide	DOVEPOW	203
DOVETAIL PULL-OUT W/SOFT CLOSE IN WALNUT		
Cabinets 12" to 21" wide	DOVEPO	231
Cabinets over 21" wide	DOVEPOW	264
METAL PULL-OUT		
Cabinets 12" to 21" wide	METALPO	311
Cabinets over 21" wide	METALPOW	338
KESSEBOHMER PULL-OUT		
Cabinets 15", 18" & 21" wide	KSBPO	917
Cabinets 24" wide	KSBPOW	971

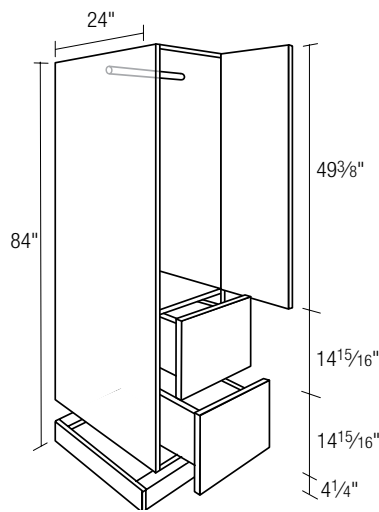


## Vanity Hamper Cabinets

Price Grade	1	2	3	4	5	6	7	8	9
VLH1884	1680	1715	1861	2035	2174	2320	2559	2747	2956
VLH1887	1726	1765	1916	2098	2242	2397	2646	2840	3058
VLH1890	1773	1815	1970	2161	2311	2474	2734	2932	3160
VLH1893	1832	1882	2044	2247	2404	2576	2848	3063	3299
VLH1896	1892	1950	2115	2332	2496	2681	2962	3191	3439
VLH1899	1953	2020	2188	2416	2587	2786	3076	3320	3579

- 84", 87" and 90" high have two fixed shelves and two adjustable shelves; 93", 96" and 99" high have two fixed shelves and three adjustable shelves
- Two removable, 60 qt., ventilated, white hampers (20"h x 14¾"w x 19"d); no lids
- Not available in 18" depth
- Depth reduction not available

# Vanity Cabinets : Tall Cabinets



## Wardrobe

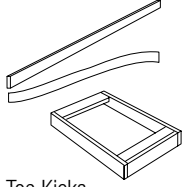
Price Grade	1	2	3	4	5	6	7	8	9
WD1524	1207	1378	1566	1786	1986	2211	2537	2827	3148
WD1824	1271	1451	1645	1875	2085	2319	2658	2961	3298
WD2124	1365	1561	1771	2017	2237	2492	2847	3171	3527
WD2424	1458	1671	1893	2154	2388	2656	3038	3378	3758

- 24" wide has two doors
- Designate L/R (right shown)
- One fixed hanging rod
- Toe Base Platform shipped unattached
- **Thermofoil and Textured Melamine horizontal patterns and grains will run vertically on all Tall cabinets (except 3 Door Tall Cabinets), end panels, and doors more than 46½" high**
- Deep Metal Drawers are not available on cabinets less than 15" deep

# Table of Contents – Toe Kicks, Fillers, Columns, and Panels

Click on any item to jump to that item's first page.

## Toe Kicks

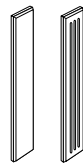


Toe Kicks  
sku ex: TKST, TOSRP,  
TP1521

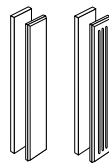
## Fillers



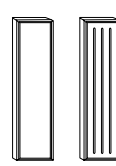
Sub-Fillers  
sku ex: USF312,  
USSF612



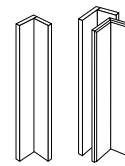
Overlay Fillers  
sku ex: FL312,  
FFL612



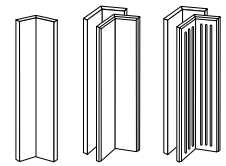
Fillers w/Overlay  
sku ex: WFLS312,  
BFFS6



Angled Fillers  
sku ex: WAF330,  
WFAF330

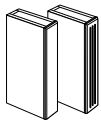


90° Corner Fillers  
sku ex: USCFL30,  
CWFL30

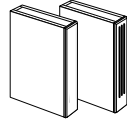


135° Corner Fillers  
sku ex: USCAFL30,  
CBOF30, CBAFF30

## Columns



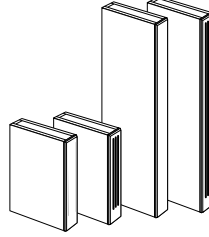
Wall  
sku ex: WC1.512,  
WFC312



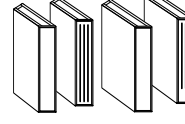
Base  
sku ex: BC1.5, BFC6



Tall  
sku ex: TC684,  
TFC3102

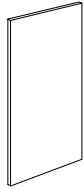


Vanity  
sku ex: VC1.5, VFC3,  
VTC393, VTFC399



Angled Columns  
sku ex: WAC330, WFAC330,  
BAC328, BFAC328

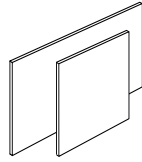
## Panels



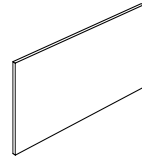
Special Size Panels  
sku ex: FLAT PANELS



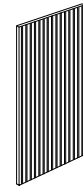
Accessory Panels  
sku ex: ACP961/4



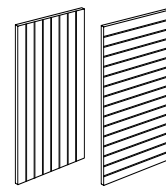
Universal Accessory Panels  
sku ex: UAP4842



Cross-Grain Paneling  
sku ex: CGP9648

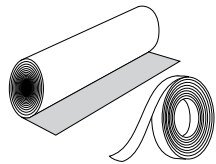


Beaded Paneling  
sku ex: BDP96



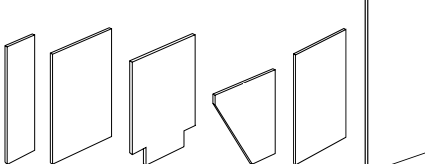
Shiplap Paneling  
sku ex: SHIPLAPPNL96VT,  
SHIPLAPPNL96HZ

## Skins / Edgebanding



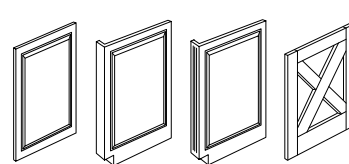
Skins / Edgebanding  
sku ex: SKIN-W, 8 FOOT

## End Panels



End Panels  
sku ex: WEP30, BEP, PBEP, DEP, VEP, FSEP1384

## Decorative End Panels



Decorative End Panels  
sku ex: DECEP, DEBEP, DEFEBP, BXEP25

## Angled Panels



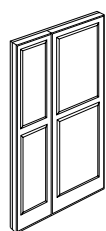
For 45 Installations  
sku ex: WAP30

## Profiled Oven Panels



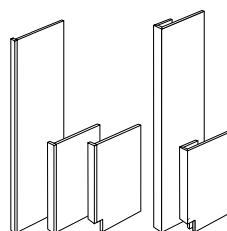
Profiled Oven Panels  
sku ex: POVMW27

## Appliance Panels



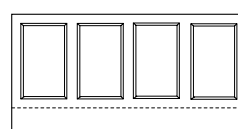
Appliance Panels

## Appliance Returns



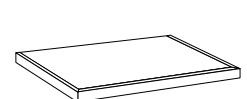
Appliance Returns  
sku ex: RFR84, DWR, DWR END,  
BRET324, TRET69627

## Wainscoting



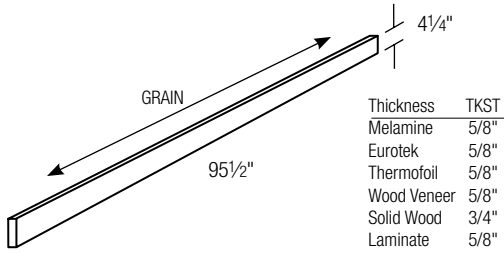
Wainscoting  
sku ex: WCP

## Wood Veneer Tops



Wood Veneer Tops  
sku ex: WOODTOP3XXYY

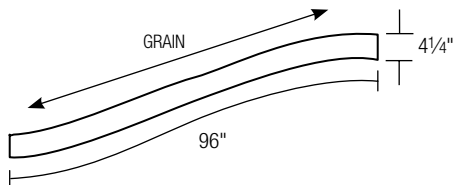
# Toe Kicks



- Edgebanded one long side and two short sides in matching edgebanding
- Grain will run side-to-side for all
- Solid Wood Premium available in Walnut
- **Toe Kick material for Thermofoil door styles will be the same as finished ends; see page 4.2 for details**

## Toe Kick – Straight

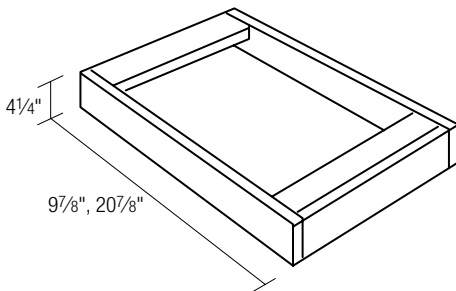
	Melamine	Eurotek	Textured Melamine	Standard Thermofoil	Premium Thermofoil	Wood Veneer	Solid Wood	Solid Wood Premium	Laminate For Metal	UltraLux
TKST	60	60	72	72	179	144			179	188
TKSTS							186	284		



- Can be flexed
- Not available in Red Birch, Walnut or Deluxe Veneers
- Grain will run side-to-side

## Toe Kick – Flexible

	Melamine	Eurotek	Textured Melamine	Standard Thermofoil	Premium Thermofoil	Wood Veneer	Solid Wood	Solid Wood Premium	Laminate For Metal	UltraLux
TOSRP										172



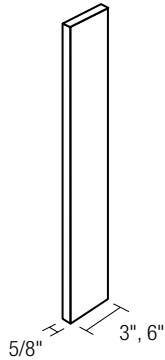
- Available in melamine only
- Mount Wall Cabinets on a Toe Kick Platform for 12"-deep Base Cabinets with Full-height Doors
- Toe Kick Platforms are undersized 3" from width listed; Example: TP3009 is 27" wide, 9" deep; TP3021 is 27" wide, 20 7/8" deep
- For Recess Toe Kick 2 sides, order 2 sizes less than cabinet width

## Toe Kick Platform

	Size	Melamine
TP0910	6"x9 7/8"	49
TP1210	9"x9 7/8"	51
TP1510	12"x9 7/8"	55
TP1810	15"x9 7/8"	58
TP2110	18"x9 7/8"	60
TP2410	21"x9 7/8"	63
TP2710	24"x9 7/8"	64
TP3010	27"x9 7/8"	68
TP3310	30"x9 7/8"	69
TP3610	33"x9 7/8"	71
TP3910	36"x9 7/8"	72
TP4210	39"x9 7/8"	73
TP0921	6"x20 7/8"	68
TP1221	9"x20 7/8"	70
TP1521	12"x20 7/8"	73
TP1821	15"x20 7/8"	78
TP2121	18"x20 7/8"	81
TP2421	21"x20 7/8"	86
TP2721	24"x20 7/8"	90
TP3021	27"x20 7/8"	95
TP3321	30"x20 7/8"	99
TP3621	33"x20 7/8"	102
TP3921	36"x20 7/8"	105
TP4221	39"x20 7/8"	107



# Fillers : Sub-Fillers

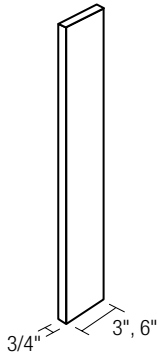


- Coordinated to door finish
- Square edges on all sides
- To be field-cut and scribed
- For Sub-Fillers cut-to-size add 35% to price
- No edgebanding on long edges
- Wood Veneer Premium available in Walnut

## Universal Sub-Filler – 5/8" thick

	Backer/ Column Height	Backer/ Column Width	Filler Height	Filler Width	Melamine	Eurotek	Textured Melamine	Standard Thermofoil	Premium Thermofoil	Wood Veneer	Wood Veneer Premium	Laminate For Metal	UltraLux
USF312	12"	3"	N/A	N/A	62	62	74	74	81	98	104	72	77
USF612	12"	6"	N/A	N/A	63	63	76	76	96	100	106	83	92
USF315	15"	3"	N/A	N/A	62	62	74	74	81	98	104	72	77
USF615	15"	6"	N/A	N/A	63	63	76	76	96	100	106	83	92
USF318	18"	3"	N/A	N/A	62	62	74	74	87	99	105	76	83
USF618	18"	6"	N/A	N/A	73	73	88	88	110	101	107	92	107
USF321	21"	3"	N/A	N/A	62	62	74	74	87	99	105	76	83
USF621	21"	6"	N/A	N/A	73	73	88	88	110	101	107	92	107
USF324	24"	3"	N/A	N/A	63	63	76	76	92	99	105	79	88
USF624	24"	6"	N/A	N/A	78	78	94	94	121	102	108	100	117
USF327	27"	3"	N/A	N/A	63	63	76	76	92	99	105	79	88
USF627	27"	6"	N/A	N/A	78	78	94	94	121	102	108	100	117
USF328	28"	3"	N/A	N/A	63	63	76	76	92	99	105	79	88
USF628	28"	6"	N/A	N/A	78	78	94	94	121	102	108	100	117
USF330	30"	3"	N/A	N/A	63	63	76	76	96	100	106	83	92
USF630	30"	6"	N/A	N/A	88	88	106	106	130	103	109	107	126
USF330B	30 <sup>1</sup> / <sub>4</sub> "	3"	N/A	N/A	63	63	76	76	96	100	106	83	92
USF630B	30 <sup>1</sup> / <sub>4</sub> "	6"	N/A	N/A	88	88	106	106	130	103	109	107	126
USF333	33"	3"	N/A	N/A	72	72	86	86	100	100	106	86	96
USF633	33"	6"	N/A	N/A	88	88	106	106	137	104	110	111	132
USF336	36"	3"	N/A	N/A	78	78	94	94	103	100	106	88	100
USF636	36"	6"	N/A	N/A	89	89	107	107	145	106	112	115	139
USF339	39"	3"	N/A	N/A	86	86	103	103	107	101	107	89	102
USF639	39"	6"	N/A	N/A	90	90	108	108	150	107	113	118	145
USF342	42"	3"	N/A	N/A	86	86	103	103	109	101	107	92	106
USF642	42"	6"	N/A	N/A	99	99	119	119	155	107	113	122	150
USF345	45"	3"	N/A	N/A	87	87	104	104	113	101	107	95	109
USF645	45"	6"	N/A	N/A	103	103	124	124	161	107	113	127	157
USF348	48"	3"	N/A	N/A	87	87	104	104	117	102	108	96	113
USF648	48"	6"	N/A	N/A	107	107	128	128	168	108	114	132	163
USF351	51"	3"	N/A	N/A	91	91	109	109	109	120	108	102	99
USF651	51"	6"	N/A	N/A	111	111	133	133	133	176	115	109	137
USF354	54"	3"	N/A	N/A	95	95	114	114	123	102	108	101	118
USF654	54"	6"	N/A	N/A	115	115	138	138	183	110	116	141	178
USF357	57"	3"	N/A	N/A	99	99	119	119	127	103	109	103	121
USF657	57"	6"	N/A	N/A	115	115	138	138	188	110	116	146	184
USF360	60"	3"	N/A	N/A	101	101	121	121	130	103	109	106	123
USF660	60"	6"	N/A	N/A	122	122	146	146	192	112	118	150	188
USF384	79 <sup>3</sup> / <sub>4</sub> "	3"	N/A	N/A	112	112	134	134	151	107	113	119	148
USF684	79 <sup>3</sup> / <sub>4</sub> "	6"	N/A	N/A	136	136	163	163	240	116	123	181	232
USF387	82 <sup>3</sup> / <sub>4</sub> "	3"	N/A	N/A	114	114	137	137	156	107	113	122	151
USF687	82 <sup>3</sup> / <sub>4</sub> "	6"	N/A	N/A	136	136	163	163	246	116	123	186	241
USF390	85 <sup>3</sup> / <sub>4</sub> "	3"	N/A	N/A	116	116	139	139	159	108	114	126	154
USF690	85 <sup>3</sup> / <sub>4</sub> "	6"	N/A	N/A	137	137	164	164	251	117	124	190	247
USF393	88 <sup>3</sup> / <sub>4</sub> "	3"	N/A	N/A	118	118	142	142	161	108	114	129	156
USF693	88 <sup>3</sup> / <sub>4</sub> "	6"	N/A	N/A	145	145	174	174	262	118	125	194	251
USF396	91 <sup>3</sup> / <sub>4</sub> "	3"	N/A	N/A	118	118	142	142	170	109	115	130	159
USF696	91 <sup>3</sup> / <sub>4</sub> "	6"	N/A	N/A	145	145	174	174	271	119	126	197	258
USF399	94 <sup>3</sup> / <sub>4</sub> "	3"	N/A	N/A						110	116		
USF699	94 <sup>3</sup> / <sub>4</sub> "	6"	N/A	N/A						121	128		
USF3102	97 <sup>3</sup> / <sub>4</sub> "	3"	N/A	N/A						116	123		
USF6102	97 <sup>3</sup> / <sub>4</sub> "	6"	N/A	N/A						128	135		

# Fillers : Sub-Fillers

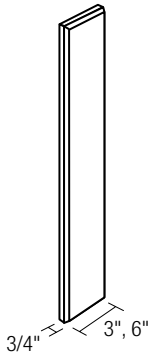


- Coordinated to door finish
- Square edges on all sides
- To be field-cut and scribed
- For Sub-Fillers cut-to-size add 35% to price
- No edgebanding on long edges
- Solid Wood Premium available in Walnut

## Universal Sub-Filler – 3/4" thick, Solid Wood

	Backer/ Column Height	Backer/ Column Width	Filler Height	Filler Width	Melamine	Eurotek	Textured Melamine	Standard Thermofoil	Premium Thermofoil	Solid Wood	Solid Wood Premium	Laminate For Metal	UltraLux
USSF312	12"	3"	N/A	N/A						113	119		
USSF612	12"	6"	N/A	N/A						184	195		
USSF315	15"	3"	N/A	N/A						113	119		
USSF615	15"	6"	N/A	N/A						184	195		
USSF318	18"	3"	N/A	N/A						123	130		
USSF618	18"	6"	N/A	N/A						191	202		
USSF321	21"	3"	N/A	N/A						123	130		
USSF621	21"	6"	N/A	N/A						191	202		
USSF324	24"	3"	N/A	N/A						135	143		
USSF624	24"	6"	N/A	N/A						203	215		
USSF327	27"	3"	N/A	N/A						135	143		
USSF627	27"	6"	N/A	N/A						203	215		
USSF328	28"	3"	N/A	N/A						135	143		
USSF628	28"	6"	N/A	N/A						203	215		
USSF330	30"	3"	N/A	N/A						150	159		
USSF630	30"	6"	N/A	N/A						216	228		
USSF330B	30 <sup>1</sup> / <sub>4</sub> "	3"	N/A	N/A						150	159		
USSF630B	30 <sup>1</sup> / <sub>4</sub> "	6"	N/A	N/A						216	228		
USSF333	33"	3"	N/A	N/A						167	177		
USSF633	33"	6"	N/A	N/A						231	244		
USSF336	36"	3"	N/A	N/A						185	196		
USSF636	36"	6"	N/A	N/A						245	259		
USSF339	39"	3"	N/A	N/A						205	217		
USSF639	39"	6"	N/A	N/A						261	276		
USSF342	42"	3"	N/A	N/A						228	241		
USSF642	42"	6"	N/A	N/A						279	295		
USSF345	45"	3"	N/A	N/A						244	258		
USSF645	45"	6"	N/A	N/A						287	303		
USSF348	48"	3"	N/A	N/A						261	276		
USSF648	48"	6"	N/A	N/A						294	311		
USSF351	51"	3"	N/A	N/A						278	294		
USSF651	51"	6"	N/A	N/A						307	325		
USSF354	54"	3"	N/A	N/A						295	312		
USSF654	54"	6"	N/A	N/A						320	338		
USSF357	57"	3"	N/A	N/A						308	326		
USSF657	57"	6"	N/A	N/A						327	346		
USSF360	60"	3"	N/A	N/A						322	340		
USSF660	60"	6"	N/A	N/A						335	354		
USSF384	79 <sup>3</sup> / <sub>4</sub> "	3"	N/A	N/A						321	339		
USSF684	79 <sup>3</sup> / <sub>4</sub> "	6"	N/A	N/A						479	506		
USSF387	82 <sup>3</sup> / <sub>4</sub> "	3"	N/A	N/A						335	354		
USSF687	82 <sup>3</sup> / <sub>4</sub> "	6"	N/A	N/A						483	511		
USSF390	85 <sup>3</sup> / <sub>4</sub> "	3"	N/A	N/A						348	368		
USSF690	85 <sup>3</sup> / <sub>4</sub> "	6"	N/A	N/A						488	516		
USSF393	88 <sup>3</sup> / <sub>4</sub> "	3"	N/A	N/A						354	374		
USSF693	88 <sup>3</sup> / <sub>4</sub> "	6"	N/A	N/A						511	540		
USSF396	91 <sup>3</sup> / <sub>4</sub> "	3"	N/A	N/A						361	382		
USSF696	91 <sup>3</sup> / <sub>4</sub> "	6"	N/A	N/A						518	548		
USSF399	94 <sup>3</sup> / <sub>4</sub> "	3"	N/A	N/A						367	388		
USSF699	94 <sup>3</sup> / <sub>4</sub> "	6"	N/A	N/A						525	555		
USSF3102	97 <sup>3</sup> / <sub>4</sub> "	3"	N/A	N/A						392	414		
USSF6102	97 <sup>3</sup> / <sub>4</sub> "	6"	N/A	N/A						557	589		

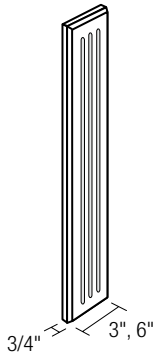
# Fillers : Profiled Overlays



- Filler matches door edge profile and height
- Toe Kick not included
- Filler to be field-cut and scribed
- Fillers for Cellini and Edison door styles are 5/8" thick with eased edge
- Width modifications not available on Eurotek
- Eurotek Bisque and Dove White finishes height modifications available up to 96"; all other finishes available up to 95"
- Not available less than 2 3/4" wide in Textured Melamine
- Not available less than 3" wide on all UltraLux door styles
- Solid Wood Premium available in Walnut
- Thermofoil and Textured Melamine horizontal patterns and grains will run vertically on fillers more than 46 1/2" high

	Overlay Filler													
	Backer/ Column Height	Backer/ Column Width	Filler Height	Filler Width	Melamine	Eurotek	Textured Melamine	Standard Thermofoil	Premium Thermofoil	Solid Wood	Solid Wood Premium	Laminate For Metal	UltraLux	
FL312	N/A	N/A	11 7/8"	3"	76	86	86	86	210	113	119	210	217	
FL612	N/A	N/A	11 7/8"	6"	77	131	131	131	303	184	195	294	319	
FL315	N/A	N/A	14 3/16"	3"	76	86	86	86	210	113	119	210	217	
FL615	N/A	N/A	14 3/16"	6"	77	131	131	131	303	184	195	294	319	
FL318	N/A	N/A	17 3/16"	3"	76	92	92	92	221	123	130	221	230	
FL618	N/A	N/A	17 3/16"	6"	86	135	135	135	307	191	202	307	321	
FL321	N/A	N/A	20 13/16"	3"	76	92	92	92	221	123	130	221	230	
FL621	N/A	N/A	20 13/16"	6"	86	135	135	135	307	191	202	307	321	
FL324	N/A	N/A	23 7/8"	3"	77	98	98	98	231	135	143	225	244	
FL624	N/A	N/A	23 7/8"	6"	90	140	140	140	313	203	215	313	325	
FL327	N/A	N/A	26 7/8"	3"	77	98	98	98	231	135	143	225	244	
FL627	N/A	N/A	26 7/8"	6"	90	140	140	140	313	203	215	313	325	
FL328	N/A	N/A	28"	3"	77	98	98	98	231	135	143	225	244	
FL628	N/A	N/A	28"	6"	90	140	140	140	313	203	215	313	325	
FL330	N/A	N/A	29 3/16"	3"	77	108	108	108	246	150	159	240	258	
FL630	N/A	N/A	29 3/16"	6"	101	149	149	149	326	216	228	315	339	
FL330B	N/A	N/A	30 1/16"	3"	77	108	108	108	246	150	159	240	258	
FL630B	N/A	N/A	30 1/16"	6"	101	149	149	149	326	216	228	315	339	
FL333	N/A	N/A	32 3/16"	3"	81	115	115	115	271	167	177	261	282	
FL633	N/A	N/A	32 3/16"	6"	102	170	170	170	340	231	244	327	352	
FL336	N/A	N/A	35 3/16"	3"	86	126	126	126	295	185	196	284	305	
FL636	N/A	N/A	35 3/16"	6"	102	192	192	192	354	245	259	340	366	
FL339	N/A	N/A	38 7/8"	3"	99	141	141	141	326	205	217	326	340	
FL639	N/A	N/A	38 7/8"	6"	110	213	213	213	377	261	276	362	390	
FL342	N/A	N/A	41 7/8"	3"	99	158	158	158	356	228	241	356	370	
FL642	N/A	N/A	41 7/8"	6"	117	232	232	232	399	279	295	383	414	
FL345	N/A	N/A	44 3/16"	3"	99	164	164	164	363	244	258	356	377	
FL645	N/A	N/A	44 3/16"	6"	122	247	247	247	419	287	303	399	430	
FL348	N/A	N/A	47 3/16"	3"	100	170	170	170	369	261	276	356	384	
FL648	N/A	N/A	47 3/16"	6"	126	262	262	262	438	294	311	415	446	
FL351	N/A	N/A	50 13/16"	3"	104	181	181	377	278	362	382	390	390	
FL651	N/A	N/A	50 13/16"	6"	280	280	280	457	307	430	455	463	463	
FL354	N/A	N/A	53 7/8"	3"	108	191	191	191	384	295	312	367	395	
FL654	N/A	N/A	53 7/8"	6"	135	298	298	298	476	320	338	445	479	
FL357	N/A	N/A	56 7/8"	3"	112	198	198	198	403	308	326	381	411	
FL657	N/A	N/A	56 7/8"	6"	135	315	315	315	522	327	346	483	522	
FL360	N/A	N/A	59 13/16"	3"	114	210	210	210	419	322	340	395	425	
FL660	N/A	N/A	59 13/16"	6"	141	327	327	327	570	335	354	523	564	
FL384	N/A	N/A	79 5/8"	3"	123	240	240	240	425	330	349	409	442	
FL684	N/A	N/A	79 5/8"	6"	155	330	330	330	581	479	506	556	598	
FL387	N/A	N/A	82 5/8"	3"	130	245	245	245	441	338	357	424	458	
FL687	N/A	N/A	82 5/8"	6"	158	340	340	340	592	494	522	568	611	
FL390	N/A	N/A	85 9/16"	3"	136	250	250	250	455	344	364	439	474	
FL690	N/A	N/A	85 9/16"	6"	161	350	350	350	605	506	535	578	624	
FL393	N/A	N/A	88 9/16"	3"	138	262	262	262	467	354	374	449	482	
FL693	N/A	N/A	88 9/16"	6"	170	357	357	357	613	511	540	585	631	
FL396	N/A	N/A	91 9/16"	3"	138	272	272	272	476	361	382	456	494	
FL696	N/A	N/A	91 9/16"	6"	178	366	366	366	620	518	548	592	637	
FL399	N/A	N/A	94 5/8"	3"						367	388			
FL699	N/A	N/A	94 5/8"	6"						525	555			
FL3102	N/A	N/A	97 5/8"	3"						392	414			
FL6102	N/A	N/A	97 5/8"	6"						557	589			

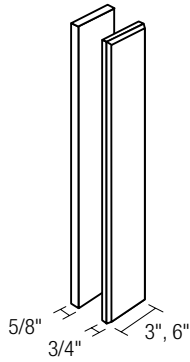
# Fillers : Profiled Overlays



- Fluted Filler matches door height
- Wood Fluted Filler matches door edge profile
- Thermofoil Fluted Filler has eased edge
- Fluting stops 3/4" from top and bottom on Wall, Base, and Tall Fillers
- Space above and below fluting, on Wood Fillers only, can be modified to accommodate Rosettes, Onlays and Corbels; see Custom Modifications page 9.3 and Variable Height Fluting Order Form; see OneTouch
- Fluted Fillers not available in Deluxe Veneers, Metal, Melamine or Eurotek; not available in Royalton or Plantation door styles
- Toe Kick not included
- Width modifications available in 1/4" increments from 2 1/4" to 6"
- Height modifications available from 12" to 96"
- Solid Wood Premium available in Walnut

Fluted Overlay Filler					Melamine	Eurotek	Textured Melamine	Standard Thermofoil	Premium Thermofoil	Solid Wood	Solid Wood Premium	Laminate For Metal	UltraLux
	Backer/ Column Height	Backer/ Column Width	Filler Height	Filler Width									
FFL312	N/A	N/A	11 7/8"	3"				140	159	136	144		
FFL612	N/A	N/A	11 7/8"	6"				229	243	230	243		
FFL315	N/A	N/A	14 13/16"	3"				146	170	143	151		
FFL615	N/A	N/A	14 13/16"	6"				238	248	236	249		
FFL318	N/A	N/A	17 13/16"	3"				160	183	161	170		
FFL618	N/A	N/A	17 13/16"	6"				249	256	250	264		
FFL321	N/A	N/A	20 13/16"	3"				170	187	165	174		
FFL621	N/A	N/A	20 13/16"	6"				258	266	260	275		
FFL324	N/A	N/A	23 7/8"	3"				186	192	178	188		
FFL624	N/A	N/A	23 7/8"	6"				271	279	274	290		
FFL327	N/A	N/A	26 7/8"	3"				191	207	190	201		
FFL627	N/A	N/A	26 7/8"	6"				282	287	281	297		
FFL328	N/A	N/A	28"	3"				194	204	187	198		
FFL628	N/A	N/A	28"	6"				282	287	281	297		
FFL330	N/A	N/A	29 13/16"	3"				207	220	211	223		
FFL630	N/A	N/A	29 13/16"	6"				295	306	300	317		
FFL330B	N/A	N/A	30 1/16"	3"				207	220	211	223		
FFL630B	N/A	N/A	30 1/16"	6"				295	306	300	317		
FFL333	N/A	N/A	32 13/16"	3"				216	228	222	235		
FFL633	N/A	N/A	32 13/16"	6"				307	320	310	328		
FFL336	N/A	N/A	35 13/16"	3"				227	234	233	246		
FFL636	N/A	N/A	35 13/16"	6"				320	348	322	340		
FFL339	N/A	N/A	38 7/8"	3"				240	246	246	260		
FFL639	N/A	N/A	38 7/8"	6"				329	370	332	351		
FFL342	N/A	N/A	41 7/8"	3"				254	259	261	276		
FFL642	N/A	N/A	41 7/8"	6"				340	395	347	367		
FFL345	N/A	N/A	44 13/16"	3"				261	263	271	286		
FFL645	N/A	N/A	44 13/16"	6"				351	408	357	377		
FFL348	N/A	N/A	47 13/16"	3"				269	271	282	298		
FFL648	N/A	N/A	47 13/16"	6"				363	422	368	389		
FFL351	N/A	N/A	50 13/16"	3"				282	273	295	312		
FFL651	N/A	N/A	50 13/16"	6"				376	444	381	402		
FFL354	N/A	N/A	53 7/8"	3"				294	306	308	326		
FFL654	N/A	N/A	53 7/8"	6"				388	465	393	415		
FFL357	N/A	N/A	56 7/8"	3"				303	316	315	333		
FFL657	N/A	N/A	56 7/8"	6"				397	482	405	428		
FFL360	N/A	N/A	59 13/16"	3"				312	326	323	341		
FFL660	N/A	N/A	59 13/16"	6"				406	453	414	438		
FFL384	N/A	N/A	79 5/8"	3"				330	346	409	432		
FFL684	N/A	N/A	79 5/8"	6"				420	511	592	626		
FFL387	N/A	N/A	82 5/8"	3"				339	356	418	442		
FFL687	N/A	N/A	82 5/8"	6"				432	526	608	643		
FFL390	N/A	N/A	85 9/16"	3"				348	366	424	448		
FFL690	N/A	N/A	85 9/16"	6"				443	538	624	660		
FFL393	N/A	N/A	88 9/16"	3"				357	376	436	461		
FFL693	N/A	N/A	88 9/16"	6"				452	552	632	668		
FFL396	N/A	N/A	91 9/16"	3"				366	386	445	470		
FFL696	N/A	N/A	91 9/16"	6"				464	564	642	679		
FFL399	N/A	N/A	94 5/8"	3"						453	479		
FFL699	N/A	N/A	94 5/8"	6"						654	691		
FFL3102	N/A	N/A	97 5/8"	3"						484	512		
FFL6102	N/A	N/A	97 5/8"	6"						697	737		

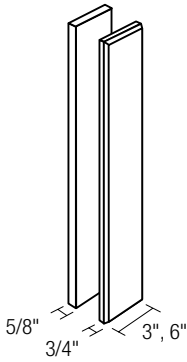
# Fillers : with Overlay



- Filler matches door edge profile **and height**
- Includes square-edge, 5/8"-thick, case height Finished Sub-Filler which matches door finish
- Toe Kick not included
- Filler and Sub-Filler to be field-cut and scribed
- Fillers for Cellini **and Edison** door styles are 5/8" thick with eased edge
- Width modifications not available on Eurotek
- Eurotek **Bisque and Dove White** finishes height modifications available up to 96"; all other finishes available up to 95"
- Not available less than 2<sup>3</sup>/<sub>4</sub>" wide in Textured Melamine
- Not available less than 3" wide on all UltraLux door styles
- Wood Premium available in Walnut
- **Thermofoil and Textured Melamine horizontal patterns and grains will run vertically on fillers more than 46<sup>1</sup>/<sub>2</sub>" high**

Filler	Backer/Column Height	Backer/Column Width	Filler Height	Filler Width										
					Melamine	Eurotek	Textured Melamine	Standard Thermofoil	Premium Thermofoil	Wood	Wood Premium	Laminate For Metal	UltraLux	
<b>Wall Filler</b>														
WFLS312	12"	3"	11 <sup>7</sup> / <sub>8</sub> "	3"	82	103	103	103	240	166	175	240	249	
WFLS612	12"	6"	11 <sup>7</sup> / <sub>8</sub> "	6"	117	150	150	150	347	240	254	347	365	
WFLS315	15"	3"	14 <sup>13</sup> / <sub>16</sub> "	3"	82	103	103	103	240	166	175	240	249	
WFLS615	15"	6"	14 <sup>13</sup> / <sub>16</sub> "	6"	117	150	150	150	347	240	254	347	365	
WFLS318	18"	3"	17 <sup>13</sup> / <sub>16</sub> "	3"	89	110	110	110	258	178	188	258	268	
WFLS618	18"	6"	17 <sup>13</sup> / <sub>16</sub> "	6"	129	156	156	156	363	248	262	363	381	
WFLS321	21"	3"	20 <sup>13</sup> / <sub>16</sub> "	3"	89	110	110	110	258	178	188	258	268	
WFLS621	21"	6"	20 <sup>13</sup> / <sub>16</sub> "	6"	129	156	156	156	363	248	262	363	381	
WFLS324	24"	3"	23 <sup>7</sup> / <sub>8</sub> "	3"	99	116	116	116	272	188	199	272	287	
WFLS624	24"	6"	23 <sup>7</sup> / <sub>8</sub> "	6"	136	163	163	163	379	260	275	379	398	
WFLS327	27"	3"	26 <sup>7</sup> / <sub>8</sub> "	3"	99	116	116	116	272	188	199	272	287	
WFLS627	27"	6"	26 <sup>7</sup> / <sub>8</sub> "	6"	136	163	163	163	379	260	275	379	398	
WFLS330	30"	3"	29 <sup>13</sup> / <sub>16</sub> "	3"	106	127	127	127	290	205	217	290	304	
WFLS630	30"	6"	29 <sup>13</sup> / <sub>16</sub> "	6"	141	172	172	172	399	275	291	399	419	
WFLS333	33"	3"	32 <sup>13</sup> / <sub>16</sub> "	3"	115	136	136	136	319	222	235	319	332	
WFLS633	33"	6"	32 <sup>13</sup> / <sub>16</sub> "	6"	148	195	195	195	420	290	307	420	441	
WFLS336	36"	3"	35 <sup>13</sup> / <sub>16</sub> "	3"	127	146	146	146	345	241	255	345	361	
WFLS636	36"	6"	35 <sup>13</sup> / <sub>16</sub> "	6"	154	218	218	218	439	304	321	439	462	
WFLS339	39"	3"	38 <sup>7</sup> / <sub>8</sub> "	3"	138	163	163	163	379	261	276	379	398	
WFLS639	39"	6"	38 <sup>7</sup> / <sub>8</sub> "	6"	161	241	241	241	469	323	341	469	489	
WFLS342	42"	3"	41 <sup>7</sup> / <sub>8</sub> "	3"	151	181	181	181	411	285	301	411	433	
WFLS642	42"	6"	41 <sup>7</sup> / <sub>8</sub> "	6"	179	261	261	261	496	340	359	496	517	
WFLS345	45"	3"	44 <sup>13</sup> / <sub>16</sub> "	3"	160	192	192	192	433	320	338	454	451	
WFLS645	45"	6"	44 <sup>13</sup> / <sub>16</sub> "	6"	195	292	292	292	545	357	377	515	572	
WFLS348	48"	3"	47 <sup>13</sup> / <sub>16</sub> "	3"	165	204	204	204	442	337	356	482	461	
WFLS648	48"	6"	47 <sup>13</sup> / <sub>16</sub> "	6"	214	311	311	311	570	371	392	536	600	
WFLS351	51"	3"	50 <sup>13</sup> / <sub>16</sub> "	3"	168	210	210	210	447	346	366	496	466	
WFLS651	51"	6"	50 <sup>13</sup> / <sub>16</sub> "	6"	223	320	320	320	583	378	400	547	614	
WFLS354	54"	3"	53 <sup>7</sup> / <sub>8</sub> "	3"	171	216	216	216	451	354	374	510	471	
WFLS654	54"	6"	53 <sup>7</sup> / <sub>8</sub> "	6"	232	329	329	329	596	384	406	557	627	
WFLS357	57"	3"	56 <sup>7</sup> / <sub>8</sub> "	3"	184	224	224	224	473	367	388	529	487	
WFLS657	57"	6"	56 <sup>7</sup> / <sub>8</sub> "	6"	232	345	345	345	647	393	415	569	681	
WFLS360	60"	3"	59 <sup>13</sup> / <sub>16</sub> "	3"	188	232	232	232	494	380	402	547	506	
WFLS660	60"	6"	59 <sup>13</sup> / <sub>16</sub> "	6"	245	361	361	361	698	400	423	581	732	
<b>Base Filler</b>														
BFLS3	30 <sup>1</sup> / <sub>4</sub> "	3"	30 <sup>1</sup> / <sub>16</sub> "	3"	106	119	127	127	290	205	217	290	304	
BFLS6	30 <sup>1</sup> / <sub>4</sub> "	6"	30 <sup>1</sup> / <sub>16</sub> "	6"	141	172	172	172	399	275	291	399	419	
BFLS324	24"	3"	23 <sup>7</sup> / <sub>8</sub> "	3"	89	110	110	110	258	178	188	258	268	
BFLS624	24"	6"	23 <sup>7</sup> / <sub>8</sub> "	6"	129	156	156	156	363	248	262	363	381	
BFLS328	28 <sup>3</sup> / <sub>16</sub> "	3"	28 <sup>1</sup> / <sub>16</sub> "	3"	99	116	116	116	272	188	199	272	287	
BFLS628	28 <sup>3</sup> / <sub>16</sub> "	6"	28 <sup>1</sup> / <sub>16</sub> "	6"	136	163	163	163	379	260	275	379	398	

# Fillers : with Overlay

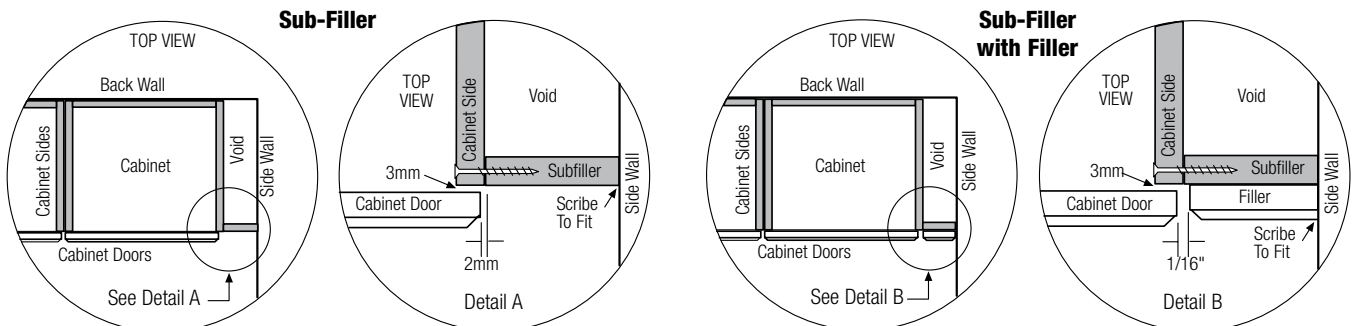


- Filler matches door edge profile **and height**
- Includes square-edge, 5/8"-thick, case height Finished Sub-Filler which matches door finish
- Toe Kick not included
- Filler and Sub-Filler to be field-cut and scribed
- Fillers for Cellini **and Edison** door styles are 5/8" thick with eased edge
- Width modifications not available on Eurotek
- Eurotek **Bisque and Dove White** finishes height modifications available up to 96"; all other finishes available up to 95"
- Not available less than 2 3/4" wide in Textured Melamine
- Not available less than 3" wide on all UltraLux door styles
- Wood Premium available in Walnut
- **Thermofoil and Textured Melamine horizontal patterns and grains will run vertically on fillers more than 46 1/2" high**

## Filler

	Backer/Column Height	Backer/Column Width	Filler Height	Filler Width	Melamine	Eurotek	Textured Melamine	Standard Thermofoil	Premium Thermofoil	Wood	Wood Premium	Laminate For Metal	UltraLux
<b>Tall Filler</b>													
OFLS384	79 3/4"	3"	79 5/8"	3"	241	279	279	279	517	380	402	517	544
OFLS684	79 3/4"	6"	79 5/8"	6"	309	370	370	370	750	552	584	750	787
OFLS387	82 3/4"	3"	82 5/8"	3"	245	289	289	289	536	394	417	536	563
OFLS687	82 3/4"	6"	82 5/8"	6"	315	381	381	381	768	564	596	768	806
OFLS390	85 3/4"	3"	85 9/16"	3"	248	299	299	299	556	407	430	556	583
OFLS690	85 3/4"	6"	85 9/16"	6"	321	390	390	390	784	578	611	784	826
OFLS393	88 3/4"	3"	88 9/16"	3"	254	311	311	311	568	416	440	568	594
OFLS693	88 3/4"	6"	88 9/16"	6"	325	399	399	399	799	586	619	799	837
OFLS396	91 3/4"	3"	91 9/16"	3"	260	322	322	322	579	424	448	579	608
OFLS696	91 3/4"	6"	91 9/16"	6"	328	409	409	409	809	594	628	809	852
OFLS399	94 3/4"	3"	94 5/8"	3"						433	458		
OFLS699	94 3/4"	6"	94 5/8"	6"						604	639		
OFLS3102	97 3/4"	3"	97 5/8"	3"						464	491		
OFLS6102	97 3/4"	6"	97 5/8"	6"						643	680		
<b>Vanity Filler</b>													
VBFLS3	27 3/4"	3"	27 5/8"	3"	106	119	127	127	290	205	217	290	304
VBFLS6	27 3/4"	6"	27 5/8"	6"	141	161	172	172	399	275	291	399	419
VBFLST3	30 1/4"	3"	30 1/16"	3"	106	119	127	127	290	205	217	290	304
VBFLST6	30 1/4"	6"	30 1/16"	6"	141	161	172	172	399	275	291	399	419
HVBFLS3	24"	3"	23 7/8"	3"	99	116	116	116	272	188	199	272	287
HVBFLS6	24"	6"	23 7/8"	6"	136	163	163	163	379	260	275	379	398

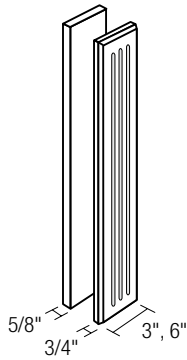
## Recommended Filler Installation Detail



Sub-Fillers are 5/8"-thick, case height, and have square edges. Sub-Fillers are available "Finished" to match cabinet door or "Unfinished" in White or Neutral Woodgrain melamine. Sub-Fillers may be visible behind Fillers.

Fillers match door edge profile and door height. Properly-installed Fillers are designed to leave a 1/16" reveal on all four edges. Sub-Fillers are visible in this reveal.

# Fillers : with Fluted Overlay



- Fluted Filler matches door height
- Wood Fluted Filler matches door edge profile
- Thermofoil Fluted Filler has eased edge
- Fluting stops 3/4" from top and bottom on Wall, Base, and Tall Fillers
- Space above and below fluting, on Wood Fillers only, can be modified to accommodate Rosettes, Onlays and Corbels; see Custom Modifications page 9.3 and Variable Height Fluting Order Form; see OneTouch
- Fluted Fillers not available in Deluxe Veneers, Metal, Melamine or Eurotek; not available in Royalton or Plantation door styles
- Wood Premium available in Walnut
- Includes square-edge, 5/8"-thick, case height Finished Sub-Filler which matches door finish
- Toe Kick not included
- Filler and Sub-Filler to be field-cut and scribed
- Width modifications available in 1/4" increments from 2 1/4" to 6"
- Height modifications available from 12" to 96"

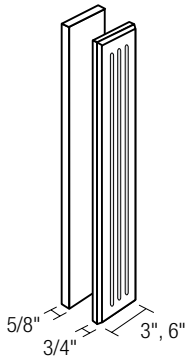
## Fluted Filler

	Backer/ Column Height	Backer/ Column Width	Filler Height	Filler Width	Melamine	Eurotek	Textured Melamine	Standard Thermofoil	Premium Thermofoil	Wood	Wood Premium	Laminate For Metal	UltraLux
<b>Wall Fluted Filler</b>													
WFFS312	12"	3"	11 7/8"	3"				176	295	207	219		
WFFS612	12"	6"	11 7/8"	6"				271	452	309	327		
WFFS315	15"	3"	14 13/16"	3"				184	316	217	229		
WFFS615	15"	6"	14 13/16"	6"				284	465	319	337		
WFFS318	18"	3"	17 13/16"	3"				197	348	241	255		
WFFS618	18"	6"	17 13/16"	6"				300	490	337	356		
WFFS321	21"	3"	20 13/16"	3"				211	357	245	259		
WFFS621	21"	6"	20 13/16"	6"				309	510	347	367		
WFFS324	24"	3"	23 7/8"	3"				230	377	259	274		
WFFS624	24"	6"	23 7/8"	6"				326	535	366	387		
WFFS327	27"	3"	26 7/8"	3"				240	404	277	293		
WFFS627	27"	6"	26 7/8"	6"				339	549	375	396		
WFFS330	30"	3"	29 13/16"	3"				251	433	298	315		
WFFS630	30"	6"	29 13/16"	6"				356	577	395	418		
WFFS333	33"	3"	32 13/16"	3"				262	442	305	322		
WFFS633	33"	6"	32 13/16"	6"				365	591	405	428		
WFFS336	36"	3"	35 13/16"	3"				272	452	315	333		
WFFS636	36"	6"	35 13/16"	6"				375	607	415	439		
WFFS339	39"	3"	38 7/8"	3"				286	471	325	344		
WFFS639	39"	6"	38 7/8"	6"				384	625	425	449		
WFFS342	42"	3"	41 7/8"	3"				298	487	337	356		
WFFS642	42"	6"	41 7/8"	6"				395	642	438	463		
WFFS345	45"	3"	44 13/16"	3"				317	514	356	376		
WFFS645	45"	6"	44 13/16"	6"				417	671	464	491		
WFFS348	48"	3"	47 13/16"	3"				330	531	369	390		
WFFS648	48"	6"	47 13/16"	6"				430	694	477	504		
WFFS351	51"	3"	50 13/16"	3"				337	540	375	396		
WFFS651	51"	6"	50 13/16"	6"				437	705	483	511		
WFFS354	54"	3"	53 7/8"	3"				343	549	381	403		
WFFS654	54"	6"	53 7/8"	6"				444	716	489	517		
WFFS357	57"	3"	56 7/8"	3"				352	560	388	410		
WFFS657	57"	6"	56 7/8"	6"				452	729	502	531		
WFFS360	60"	3"	59 13/16"	3"				361	572	395	418		
WFFS660	60"	6"	59 13/16"	6"				464	743	511	540		

## Base Fluted Filler

BFFS3	30 1/4"	3"	30 1/16"	3"				251	433	298	315		
BFFS6	30 1/4"	6"	30 1/16"	6"				356	577	395	255		
BFFS324	24"	3"	23 3/4"	3"				197	348	241	274		
BFFS624	24"	6"	23 3/4"	6"				300	490	337	418		
BFFS328	28 3/16"	3"	28 1/16"	3"				230	377	259	356		
BFFS628	28 3/16"	6"	28 1/16"	6"				326	535	366	387		

# Fillers : with Fluted Overlay



- Fluted Filler matches door height
- Wood Fluted Filler matches door edge profile
- Thermofoil Fluted Filler has eased edge
- Fluting stops 3/4" from top and bottom on Wall, Base, and Tall Fillers
- Space above and below fluting, on Wood Fillers only, can be modified to accommodate Rosettes, Onlays and Corbels; see Custom Modifications page 9.3 and Variable Height Fluting Order Form; see OneTouch
- Fluted Fillers not available in Deluxe Veneers, Metal, Melamine or Eurotek; not available in Royalton or Plantation door styles
- Wood Premium available in Walnut
- Includes square-edge, 5/8"-thick, case height Finished Sub-Filler which matches door finish
- Toe Kick not included
- Filler and Sub-Filler to be field-cut and scribed
- Width modifications available in 1/4" increments from 2 1/4" to 6"
- Height modifications available from 12" to 96"

## Fluted Filler

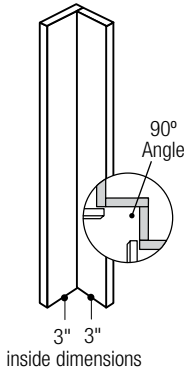
	Backer/ Column Height	Backer/ Column Width	Filler Height	Filler Width	Melamine	Eurotek	Textured Melamine	Standard Thermofoil	Premium Thermofoil	Wood	Wood Premium	Laminate For Metal	UltraLux
<b>Tall Fluted Filler</b>													
TFFS384	79 3/4"	3"	79 5/8"	3"				558	933	616	651		
TFFS684	79 3/4"	6"	79 5/8"	6"				771	1317	869	919		
TFFS387	82 3/4"	3"	82 5/8"	3"				575	957	631	667		
TFFS687	82 3/4"	6"	82 5/8"	6"				800	1364	894	945		
TFFS390	85 3/4"	3"	85 9/16"	3"				590	979	645	682		
TFFS690	85 3/4"	6"	85 9/16"	6"				828	1410	918	970		
TFFS393	88 3/4"	3"	88 9/16"	3"				614	1017	674	713		
TFFS693	88 3/4"	6"	88 9/16"	6"				850	1441	945	999		
TFFS396	91 3/4"	3"	91 9/16"	3"				637	1053	707	747		
TFFS696	91 3/4"	6"	91 9/16"	6"				867	1471	971	1026		
TFFS399	94 3/4"	3"	94 5/8"	3"						738	780		
TFFS699	94 3/4"	6"	94 5/8"	6"						997	1054		
TFFS3102	97 3/4"	3"	97 5/8"	3"						806	852		
TFFS6102	97 3/4"	6"	97 5/8"	6"						1073	1134		
<b>Vanity Fluted Filler</b>													
VFFS3	27 1/16"	3"	27 9/16"	3"				240	404	277	293		
VFFS6	27 1/16"	6"	27 9/16"	6"				339	549	375	396		
VBFFST3	30 1/4"	3"	30 1/16"	3"				251	433	298	315		
VBFFST6	30 1/4"	6"	30 1/16"	6"				356	577	395	418		
HVBFFS3	24"	3"	23 7/8"	3"				197	348	241	255		
HVBFFS6	24"	6"	23 7/8"	6"				300	490	337	356		



# Fillers : Corner Sub-Fillers

FOR ALL CORNER SUB-FILLERS

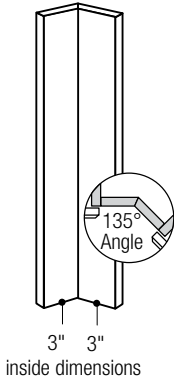
- Coordinated to door finish
- Square edges on all sides
- To be field-cut and scribed
- For Sub-Fillers cut-to-size add 35% to price
- No edgebanding on long edges
- Not available less than 2<sup>3</sup>/<sub>4</sub>" wide in Textured Melamine
- Not available less than 3" wide on all UltraLux door styles
- 30" high no longer works for base height
- Wood Veneer Premium available in Walnut



## Corner Sub-Filler – 90°

	Backer/ Column Height	Backer/ Column Width	Filler Height	Filler Width	Melamine	Eurotek	Textured Melamine	Standard Thermofoil	Premium Thermofoil	Wood Veneer	Wood Veneer Premium	Laminate For Metal	UltraLux
USCFL30	30"	3"	N/A	N/A	110	110	132	132	288	234	247	288	302
USCFL30B	30 <sup>1</sup> / <sub>4</sub> "	3"	30 <sup>1</sup> / <sub>16</sub> "	3"	110	110	132	132	288	234	247	288	302
USCFL33	33"	3"	N/A	N/A	119	119	143	143	301	247	261	301	316
USCFL36	36"	3"	N/A	N/A	129	129	155	155	315	261	276	315	329
USCFL39	39"	3"	N/A	N/A	138	138	166	166	328	274	290	328	343
USCFL42	42"	3"	N/A	N/A	148	148	178	178	342	288	304	342	356
USCFL45	45"	3"	N/A	N/A	157	157	188	188	355	301	375	355	370
USCFL48	48"	3"	N/A	N/A	166	166	199	199	369	315	333	369	383

## Angled Corner Sub-Filler – 135°

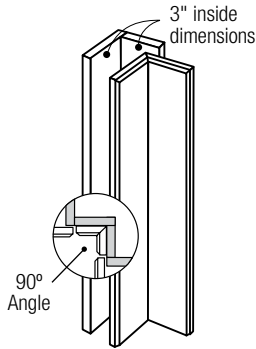


	Backer/ Column Height	Backer/ Column Width	Filler Height	Filler Width	Melamine	Eurotek	Textured Melamine	Standard Thermofoil	Premium Thermofoil	Wood Veneer	Wood Veneer Premium	Laminate For Metal	UltraLux
USCAFL30	30"	3"	N/A	N/A	181	181	217	217	343	300	317	343	359
USCAFL30B	30 <sup>1</sup> / <sub>4</sub> "	3"	30 <sup>1</sup> / <sub>16</sub> "	3"	181	181	217	217	343	300	317	343	359
USCAFL33	33"	3"	N/A	N/A	197	197	236	236	373	326	345	373	391
USCAFL36	36"	3"	N/A	N/A	212	212	254	254	402	352	372	402	422
USCAFL39	39"	3"	N/A	N/A	228	228	274	274	432	378	400	432	453
USCAFL42	42"	3"	N/A	N/A	244	244	293	293	462	405	428	462	484
USCAFL45	45"	3"	N/A	N/A	259	259	311	311	491	431	456	491	515
USCAFL48	48"	3"	N/A	N/A	275	275	330	330	522	457	483	522	548

# Fillers : Corner Fillers

FOR ALL CORNER AND ANGLED CORNER FILLERS

- Filler matches door height
- Filler matches door edge profile except Cellini and Edison door styles are 5/8" thick with eased edge
- Not available less than 2 3/4" wide in Textured Melamine
- Not available less than 3" wide on all UltraLux door styles
- Wood Premium available in Walnut
- Includes square-edge, 5/8"-thick, case height Finished Sub-Filler which matches door finish
- Filler and Sub-Filler to be field-cut with scribed
- Toe Kick not included
- 30" high no longer works for base height



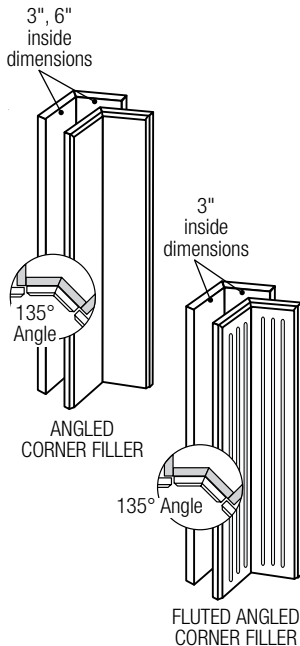
- 3/4" Filler matches door edge profile and height
- Includes square-edge, 5/8"-thick, case height Sub-Filler with coordinated finish
- Toe Kick not included
- Width modifications not available

## Corner Filler – 90°

	Backer/ Column Height	Backer/ Column Width	Filler Height	Filler Width	Melamine	Eurotek	Textured Melamine	Standard Thermofoil	Premium Thermofoil	Wood	Wood Premium	Laminate For Metal	UltraLux
<b>Wall Corner Filler</b>													
CWFL30	30"	3"	29 <sup>13</sup> / <sub>16</sub> "	3"	193	222	222	222	558	401	424	558	578
CWFL33	33"	3"	32 <sup>13</sup> / <sub>16</sub> "	3"	209	240	240	240	601	435	460	601	628
CWFL36	36"	3"	35 <sup>13</sup> / <sub>16</sub> "	3"	227	258	258	258	642	471	498	642	674
CWFL39	39"	3"	38 <sup>7</sup> / <sub>8</sub> "	3"	244	281	281	281	696	507	536	696	729
CWFL42	42"	3"	41 <sup>7</sup> / <sub>8</sub> "	3"	264	300	300	300	746	540	571	746	785
CWFL45	45"	3"	44 <sup>13</sup> / <sub>16</sub> "	3"	285	320	320	320	795	574	607	795	842
CWFL48	48"	3"	47 <sup>13</sup> / <sub>16</sub> "	3"	307	340	340	340	844	607	642	844	898

## Base Corner Filler

CBFL3	30 <sup>1</sup> / <sub>4</sub> "	3"	30 <sup>1</sup> / <sub>16</sub> "	3"	187	206	215	215	536	389	411	536	562
-------	----------------------------------	----	-----------------------------------	----	-----	-----	-----	-----	-----	-----	-----	-----	-----



- Width cannot be modified
- Fluted Fillers not available in Deluxe Veneers, Metal, Melamine, UltraLux or Eurotek; not available in Royalton or Plantation door styles
- Fluting stops 3/4" from top and bottom on Wall and Base Fillers
- Variable Fluting Modification is not available on Angled Fillers

## Angled Corner Filler – 135°

	Backer/ Column Height	Backer/ Column Width	Filler Height	Filler Width	Melamine	Eurotek	Textured Melamine	Standard Thermofoil	Premium Thermofoil	Wood	Wood Premium	Laminate For Metal	UltraLux
<b>Wall Angled Corner Filler</b>													
CBOF30	30"	3"	29 <sup>13</sup> / <sub>16</sub> "	3"						505	534		
CBOF33	33"	3"	32 <sup>13</sup> / <sub>16</sub> "	3"						549	580		
CBOF36	36"	3"	35 <sup>13</sup> / <sub>16</sub> "	3"						596	630		
CBOF39	39"	3"	38 <sup>7</sup> / <sub>8</sub> "	3"						648	685		
CBOF42	42"	3"	41 <sup>7</sup> / <sub>8</sub> "	3"						704	744		
CBOF45	45"	3"	44 <sup>13</sup> / <sub>16</sub> "	3"						766	810		
CBOF48	48"	3"	47 <sup>13</sup> / <sub>16</sub> "	3"						832	880		

## Base Angled Corner Filler

CBOF3	30 <sup>1</sup> / <sub>4</sub> "	3"	30 <sup>1</sup> / <sub>16</sub> "	3"						505	491		
-------	----------------------------------	----	-----------------------------------	----	--	--	--	--	--	-----	-----	--	--

## Wall Fluted Angled Corner Filler

CBAFF30	30"	3"	29 <sup>13</sup> / <sub>16</sub> "	3"						522	552		
CBAFF33	33"	3"	32 <sup>13</sup> / <sub>16</sub> "	3"						567	599		
CBAFF36	36"	3"	35 <sup>13</sup> / <sub>16</sub> "	3"						616	651		
CBAFF39	39"	3"	38 <sup>7</sup> / <sub>8</sub> "	3"						670	708		
CBAFF42	42"	3"	41 <sup>7</sup> / <sub>8</sub> "	3"						728	770		
CBAFF45	45"	3"	44 <sup>13</sup> / <sub>16</sub> "	3"						792	837		
CBAFF48	48"	3"	47 <sup>13</sup> / <sub>16</sub> "	3"						860	909		

## Base Fluted Angled Corner Filler

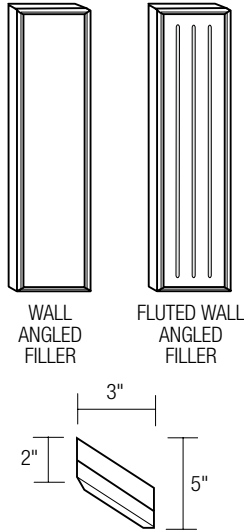
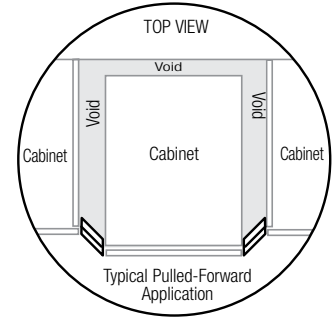
CBAFF3	30 <sup>1</sup> / <sub>4</sub> "	3"	30 <sup>1</sup> / <sub>16</sub> "	3"						522	507		
--------	----------------------------------	----	-----------------------------------	----	--	--	--	--	--	-----	-----	--	--

# Fillers : Angled Fillers

## FOR ALL ANGLED FILLERS

- Filler matches door height
- Not available in Deluxe Veneers
- Fluted Fillers not available in Deluxe Veneers, Metal, Melamine or Eurotek; not available in Royalton or Plantation door styles
- Wood Premium available in Walnut
- Wood Fluted Filler matches door edge profile
- Thermofoil Fluted Filler has eased edge
- Includes square-edge, 5/8"-thick, case height Finished Sub-Filler which matches door finish
- Filler and Sub-Filler to be field-cut and scribed

- 45° angle
- Designate L/R (left shown)
- Toe Kick not included
- Width modifications not available
- Fluting stops 3/4" from top and bottom on Wall, Base, and Tall Fillers
- Variable Fluting Modification is not available on Angled Fillers
- **Thermofoil and Textured Melamine horizontal patterns and grains will run vertically on all Tall cabinets, end panels, and doors more than 46½" high**

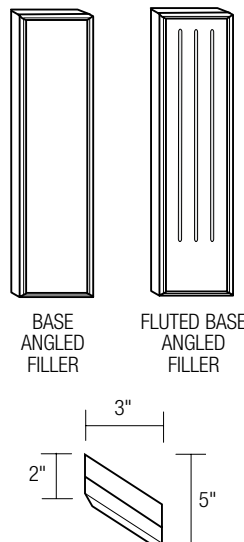


## Wall Angled Fillers

	Backer/ Column Height	Backer/ Column Width	Filler Height	Filler Width															
					Melamine	Eurotek	Textured Melamine	Standard Thermofoil	Premium Thermofoil	Wood	Wood Premium	Laminate For Metal	UltraLux						
<b>Wall Angled Filler</b>																			
WAF330	30"	3"	29 <sup>13</sup> / <sub>16</sub> "	3"				474	668	326	345	668							
WAF333	33"	3"	32 <sup>13</sup> / <sub>16</sub> "	3"				505	707	347	367	707							
WAF336	36"	3"	35 <sup>13</sup> / <sub>16</sub> "	3"				535	744	366	387	744							
WAF339	39"	3"	38 <sup>7</sup> / <sub>8</sub> "	3"				566	783	385	407	783							
WAF342	42"	3"	41 <sup>7</sup> / <sub>8</sub> "	3"				596	824	405	428	824							
WAF345	45"	3"	44 <sup>13</sup> / <sub>16</sub> "	3"				632	868	428	452	868							
WAF348	48"	3"	47 <sup>13</sup> / <sub>16</sub> "	3"				668	911	451	477	911							
WAF351	51"	3"	50 <sup>13</sup> / <sub>16</sub> "	3"				703	954	475	502	954							
WAF354	54"	3"	53 <sup>7</sup> / <sub>8</sub> "	3"				738	997	499	528	997							
WAF357	57"	3"	56 <sup>7</sup> / <sub>8</sub> "	3"				773	1044	520	550	1044							
WAF360	60"	3"	59 <sup>13</sup> / <sub>16</sub> "	3"				806	1087	545	576	1087							
WAF363	63"	3"	62 <sup>13</sup> / <sub>16</sub> "	3"				840	1129	571	604	1129							
WAF366	66"	3"	65 <sup>13</sup> / <sub>16</sub> "	3"				874	1172	597	631	1172							

## Fluted Wall Angled Filler

WFAF330	30 <sup>1</sup> / <sub>4</sub> "	3"	29 <sup>13</sup> / <sub>16</sub> "	3"				474	668	326	345						
WFAF333	32 <sup>3</sup> / <sub>4</sub> "	3"	32 <sup>13</sup> / <sub>16</sub> "	3"				505	707	347	367						
WFAF336	36 <sup>9</sup> / <sub>16</sub> "	3"	35 <sup>13</sup> / <sub>16</sub> "	3"				535	744	366	387						
WFAF339	36 <sup>1</sup> / <sub>16</sub> "	3"	38 <sup>7</sup> / <sub>8</sub> "	3"				566	783	385	407						
WFAF342	41 <sup>9</sup> / <sub>16</sub> "	3"	41 <sup>7</sup> / <sub>8</sub> "	3"				596	824	405	428						
WFAF345	45 <sup>3</sup> / <sub>8</sub> "	3"	44 <sup>13</sup> / <sub>16</sub> "	3"				632	868	428	452						
WFAF348	47 <sup>7</sup> / <sub>8</sub> "	3"	47 <sup>13</sup> / <sub>16</sub> "	3"				668	911	451	477						
WFAF351	56 <sup>7</sup> / <sub>8</sub> "	3"	50 <sup>13</sup> / <sub>16</sub> "	3"				703	954	475	502						
WFAF354	54 <sup>3</sup> / <sub>16</sub> "	3"	53 <sup>7</sup> / <sub>8</sub> "	3"				738	997	499	528						
WFAF357	56 <sup>7</sup> / <sub>8</sub> "	3"	56 <sup>7</sup> / <sub>8</sub> "	3"				773	1044	520	550						
WFAF360	59 <sup>3</sup> / <sub>16</sub> "	3"	59 <sup>13</sup> / <sub>16</sub> "	3"				806	1087	545	576						
WFAF363	63 <sup>1</sup> / <sub>8</sub> "	3"	62 <sup>13</sup> / <sub>16</sub> "	3"				840	1129	571	604						
WFAF366	65 <sup>5</sup> / <sub>8</sub> "	3"	65 <sup>13</sup> / <sub>16</sub> "	3"				874	1172	597	631						



## Base Angled Fillers

	Backer/ Column Height	Backer/ Column Width	Filler Height	Filler Width														
					Melamine	Eurotek	Textured Melamine	Standard Thermofoil	Premium Thermofoil	Wood	Wood Premium	Laminate For Metal	UltraLux					
<b>Base Angled Filler</b>																		
BAF328	24"	3"	23 <sup>7</sup> / <sub>8</sub> "	3"				479	668	344	344	668						
BAF332	27 <sup>11</sup> / <sub>16</sub> "	3"	27 <sup>9</sup> / <sub>16</sub> "	3"				498	693	357	357	693						
BAF334	30 <sup>1</sup> / <sub>4</sub> "	3"	30 <sup>1</sup> / <sub>16</sub> "	3"				516	721	369	369	721						

## Fluted Base Angled Filler

BFAF328	24"	3"	23 <sup>7</sup> / <sub>8</sub> "	3"				399	670	344	344						
BFAF332	27 <sup>11</sup> / <sub>16</sub> "	3"	27 <sup>9</sup> / <sub>16</sub> "	3"				415	692	357	357						
BFAF334	30 <sup>1</sup> / <sub>4</sub> "	3"	30 <sup>1</sup> / <sub>16</sub> "	3"				430	720	369	369						

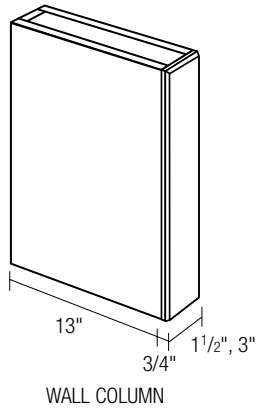
# Columns : Wall Columns

**FOR ALL COLUMNS**

- Finished Ends standard
- Cabinet heights
- Width modifications from 3" to 6"–  
Non-Fluted: available in 1/16" increments  
Fluted: available in 1/4" increments
- Not available less than 3" wide on all UltraLux door styles
- 1 1/2" wide not available in Textured Melamine
- 1 1/2" wide not available on any Thermofoil door style except Adriatic

- 1 1/2" wide not available on Eurotek Cape May, Clermont or Lakehurst
- Eurotek **Bisque** and Dove White finishes height modifications available up to 96"; all other finishes available up to 95"
- Wood Premium available in Walnut
- **Thermofoil and Textured Melamine horizontal patterns and grains will run vertically on any component more than 46 1/2" high**
- Fluted Columns not available in Deluxe Veneers, Metal, Melamine or Eurotek
- Fluted Columns not available on Royalton or Plantation door styles

- Fluting stops 3/4" from top and bottom on Wall Columns; stops 3/4" from top and 5" from bottom on Base, Vanity, and Tall Columns
- Space above and below fluting, on Wood Fillers only, can be modified to accommodate Rosettes, Onlays and Corbels; see Custom Modifications page 9.3 and Variable Height Fluting Order Form, see OneTouch
- **To add a Toe Kick notch to a Base Column, add "TK" to the end of the sku**



Wall Columns													
Wall Column	Backer/ Column Height	Backer/ Column Width	Filler Height	Filler Width	Melamine	Eurotek	Textured Melamine	Standard Thermofoil	Premium Thermofoil	Wood	Wood Premium	Laminate For Metal	UltraLux
	WC1.512	12"	1 1/2"	11 7/8"	1 1/2"	220	220		264	609	421	445	609
WC312	12"	3"	11 7/8"	3"	220	220	264	264	609	421	445	609	641
WC1.515	15"	1 1/2"	14 13/16"	1 1/2"	231	231		277	624	425	449	624	
WC315	15"	3"	14 13/16"	3"	231	231	277	277	624	425	449	624	655
WC1.518	18"	1 1/2"	17 13/16"	1 1/2"	242	242		290	642	439	464	642	
WC318	18"	3"	17 13/16"	3"	242	242	290	290	642	439	464	642	672
WC1.521	21"	1 1/2"	20 13/16"	1 1/2"	245	245		294	648	449	475	648	
WC321	21"	3"	20 13/16"	3"	245	245	294	294	648	449	475	648	682
WC1.524	24"	1 1/2"	23 7/8"	1 1/2"	248	275		298	661	458	484	661	
WC324	24"	3"	23 7/8"	3"	248	275	298	298	661	458	484	661	692
WC1.527	27"	1 1/2"	26 7/8"	1 1/2"	259	259		311	668	467	494	668	
WC327	27"	3"	26 7/8"	3"	259	259	311	311	668	467	494	668	702
WC1.530	30"	1 1/2"	29 13/16"	1 1/2"	300	300		360	731	480	507	731	
WC330	30"	3"	29 13/16"	3"	300	300	360	360	731	480	507	731	769
WC1.533	33"	1 1/2"	32 13/16"	1 1/2"	310	310		372	749	483	511	749	
WC333	33"	3"	32 13/16"	3"	310	310	372	372	749	483	511	749	785
WC1.536	36"	1 1/2"	35 13/16"	1 1/2"	322	322		386	767	487	515	767	
WC336	36"	3"	35 13/16"	3"	322	322	386	386	767	487	515	767	804
WC1.539	39"	1 1/2"	38 7/8"	1 1/2"	330	330		396	780	494	522	780	
WC339	39"	3"	38 7/8"	3"	330	330	396	396	780	494	522	780	821
WC1.542	42"	1 1/2"	41 7/8"	1 1/2"	341	341		409	796	499	528	796	
WC342	42"	3"	41 7/8"	3"	341	341	409	409	796	499	528	796	834
WC1.545	45"	1 1/2"	44 13/16"	1 1/2"	358	358		430	819	510	539	819	
WC345	45"	3"	44 13/16"	3"	358	358	430	430	819	510	539	819	859
WC1.548	48"	1 1/2"	47 13/16"	1 1/2"	377	377		452	841	522	552	841	
WC348	48"	3"	47 13/16"	3"	377	377	452	452	841	522	552	841	883
WC1.551	51"	1 1/2"	50 13/16"	1 1/2"	394	394		473	865	534	564	865	
WC351	51"	3"	50 13/16"	3"	394	394	473	473	865	534	564	865	909
WC1.554	54"	1 1/2"	53 7/8"	1 1/2"	411	411		493	889	545	576	889	
WC354	54"	3"	53 7/8"	3"	411	411	493	493	889	545	576	889	934
WC1.557	57"	1 1/2"	56 7/8"	1 1/2"	426	426		511	914	558	590	914	
WC357	57"	3"	56 7/8"	3"	426	426	511	511	914	558	590	914	958
WC1.560	60"	1 1/2"	59 13/16"	1 1/2"	444	444		533	939	570	603	939	
WC360	60"	3"	59 13/16"	3"	444	444	533	533	939	570	603	939	985
WC1.563	63"	1 1/2"	62 13/16"	1 1/2"	461	461		553	964	583	616	964	
WC363	63"	3"	62 13/16"	3"	461	461	553	553	964	583	616	964	1012
WC1.566	66"	1 1/2"	65 13/16"	1 1/2"	479	479		575	989	595	629	989	
WC366	66"	3"	65 13/16"	3"	479	479	575	575	989	595	629	989	1039

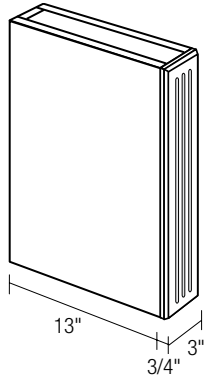
# Columns : Wall Columns

## FOR ALL COLUMNS

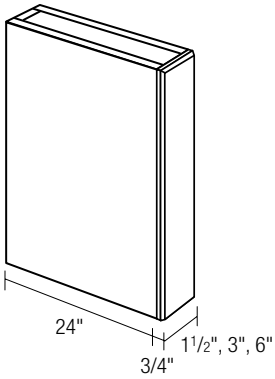
- Finished Ends standard
- Cabinet heights
- Width modifications from 3" to 6"–  
Non-Fluted: available in 1/16" increments  
Fluted: available in 1/4" increments
- Not available less than 3" wide on all UltraLux door styles
- 1 1/2" wide not available in Textured Melamine
- 1 1/2" wide not available on any Thermofoil door style except Adriatic

- 1 1/2" wide not available on Eurotek Cape May, Clermont or Lakehurst
- Eurotek **Bisque and Dove** finishes height modifications available up to 96"; all other finishes available up to 95"
- Wood Premium available in Walnut
- **Thermofoil and Textured Melamine horizontal patterns and grains will run vertically on any component more than 46 1/2" high**
- Fluted Columns not available in Deluxe Veneers, Metal, Melamine or Eurotek
- Fluted Columns not available on Royalton or Plantation door styles

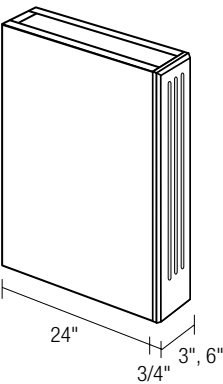
- Fluting stops 3/4" from top and bottom on Wall Columns; stops 3/4" from top and 5" from bottom on Base, Vanity, and Tall Columns
- Space above and below fluting, on Wood Fillers only, can be modified to accommodate Rosettes, Onlays and Corbels; see Custom Modifications page 9.3 and Variable Height Fluting Order Form, see OneTouch
- To add a Toe Kick notch to a Base Column, add "TK" to the end of the sku



FLUTED WALL COLUMN



BASE COLUMN



FLUTED BASE COLUMN

## Wall Columns

	Backer/ Column Height	Backer/ Column Width	Filler Height	Filler Width	Melamine	Eurotek	Textured Melamine	Standard Thermofoil	Premium Thermofoil	Wood	Wood Premium	Laminate For Metal	UltraLux
<b>Fluted Wall Column</b>													
WFC312	12"	3"	11 7/8"	3"				220	609	421	445		
WFC315	15"	3"	14 13/16"	3"				231	624	425	449		
WFC318	18"	3"	17 13/16"	3"				242	642	439	464		
WFC321	21"	3"	20 13/16"	3"				245	648	449	475		
WFC324	24"	3"	23 7/8"	3"				248	661	458	484		
WFC327	27"	3"	26 7/8"	3"				259	668	467	494		
WFC330	30"	3"	29 13/16"	3"				300	731	480	507		
WFC333	33"	3"	32 13/16"	3"				310	749	483	511		
WFC336	36"	3"	35 13/16"	3"				322	767	487	515		
WFC339	39"	3"	38 7/8"	3"				330	780	494	522		
WFC342	42"	3"	41 7/8"	3"				341	796	499	528		
WFC345	45"	3"	44 13/16"	3"				358	819	510	539		
WFC348	48"	3"	47 13/16"	3"				377	841	522	552		
WFC351	51"	3"	50 13/16"	3"				394	865	534	564		
WFC354	54"	3"	53 7/8"	3"				411	889	545	576		
WFC357	57"	3"	56 7/8"	3"				426	914	558	590		
WFC360	60"	3"	59 13/16"	3"				444	939	570	603		
WFC363	63"	3"	62 13/16"	3"				461	964	583	616		
WFC366	66"	3"	65 13/16"	3"				479	989	595	629		
<b>Base Column</b>													
BC1.5	34 1/2"	1 1/2"	34 5/16"	1 1/2"	361	433		433	1075	702	742	1075	
BC3	34 1/2"	3"	34 5/16"	3"	361	433	433	433	1075	702	742	1075	1130
BC6	34 1/2"	6"	34 5/16"	6"	472	566	566	566	1245	812	858	1245	1308
BC1.524	24"	1 1/2"	23 7/8"	1 1/2"	248	248		248	661	458	484	661	
BC324	24"	3"	23 7/8"	3"	248	248	248	248	661	458	484	661	692
BC624	24"	6"	23 7/8"	6"	324	389	389	389	765	532	562	765	802
BC1.528	28 3/16"	1 1/2"	28 1/16"	1 1/2"	259	311		311	668	467	494	668	
BC328	28 3/16"	3"	28 1/16"	3"	259	311	311	311	668	467	494	668	702
BC628	28 3/16"	6"	28 1/16"	6"	336	403	403	403	776	541	572	776	814
<b>Fluted Base Column</b>													
BFC3	34 1/2"	3"	34 5/16"	3"				361	1076	702	742		
BFC6	34 1/2"	6"	34 5/16"	6"				472	1246	812	858		
BFC324	24"	3"	23 7/8"	3"				248	660	458	484		
BFC624	24"	6"	23 7/8"	6"				324	765	532	562		
BFC328	28 3/16"	3"	28 1/16"	3"				259	670	467	494		
BFC628	28 3/16"	6"	28 1/16"	6"				336	775	541	572		

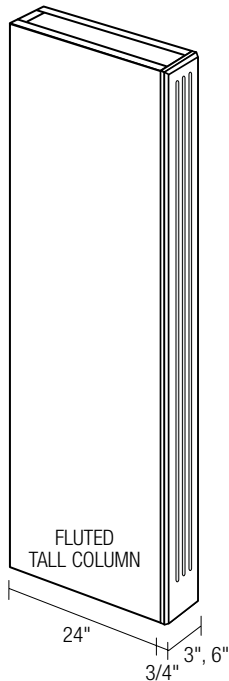
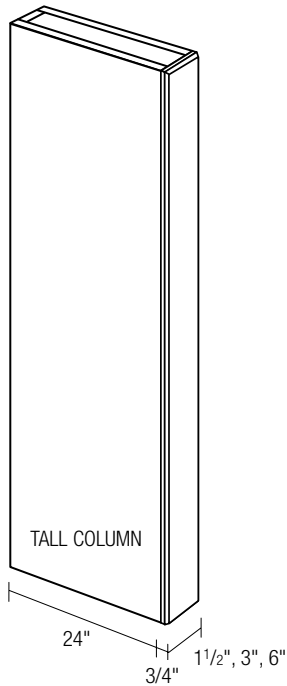
# Columns : Tall Columns

## FOR ALL COLUMNS

- Finished Ends standard
- Cabinet heights
- Width modifications from 3" to 6"—  
Non-Fluted: available in 1/16" increments  
Fluted: available in 1/4" increments
- Not available less than 3" wide on all UltraLux door styles
- 1 1/2" wide not available in Textured Melamine
- 1 1/2" wide not available on any Thermofoil door style except Adriatic

- 1 1/2" wide not available on Eurotek Cape May, Clermont or Lakehurst
- Eurotek **Bisque and Dove White** finishes height modifications available up to 96"; all other finishes available up to 95"
- Wood Premium available in Walnut
- **Thermofoil and Textured Melamine horizontal patterns and grains will run vertically on any component more than 46 1/2" high**
- Fluted Columns not available in Deluxe Veneers, Metal, Melamine or Eurotek
- Fluted Columns not available on Royalton or Plantation door styles

- Fluting stops 3/4" from top and bottom on Wall Columns; stops 3/4" from top and 5" from bottom on Base, Vanity, and Tall Columns
- Space above and below fluting, on Wood Fillers only, can be modified to accommodate Rosettes, Onlays and Corbels; see Custom Modifications page 9.3 and Variable Height Fluting Order Form, see OneTouch
- To add a Toe Kick notch to a Base Column, add "TK" to the end of the sku



## Tall Columns

	Backer/ Column Height	Backer/ Column Width	Filler Height	Filler Width	Melamine	Eurotek	Textured Melamine	Standard Thermofoil	Premium Thermofoil	Wood	Wood Premium	Laminate For Metal	UltraLux
<b>Tall Column</b>													
TC1.584	84"	1 1/2"	83 7/8"	1 1/2"	727	727		872	2120	1617	1709	2120	
TC384	84"	3"	83 7/8"	3"	727	727	872	872	2120	1617	1709	2120	2224
TC684	84"	6"	83 7/8"	6"	930	930	1116	1116	2427	1831	1936	2427	2549
TC1.587	87"	1 1/2"	86 7/8"	1 1/2"	760	760		912	2166	1648	1742	2166	
TC387	87"	3"	86 7/8"	3"	760	760	912	912	2166	1648	1742	2166	2273
TC687	87"	6"	86 7/8"	6"	959	959	1151	1151	2473	1866	1973	2473	2595
TC1.590	90"	1 1/2"	89 13/16"	1 1/2"	791	791		949	2213	1678	1774	2213	
TC390	90"	3"	89 13/16"	3"	791	791	949	949	2213	1678	1774	2213	2323
TC690	90"	6"	89 13/16"	6"	989	989	1187	1187	2519	1902	2011	2519	2642
TC1.593	93"	1 1/2"	92 13/16"	1 1/2"	841	841		1009	2292	1752	1852	2292	
TC393	93"	3"	92 13/16"	3"	841	841	1009	1009	2292	1752	1852	2292	2407
TC693	93"	6"	92 13/16"	6"	1023	1023	1228	1228	2570	1938	2049	2570	2697
TC1.596	96"	1 1/2"	95 13/16"	1 1/2"	867	867		1040	2333	1767	1868	2333	
TC396	96"	3"	95 13/16"	3"	867	867	1040	1040	2333	1767	1868	2333	2447
TC696	96"	6"	95 13/16"	6"	1057	1057	1268	1268	2625	1971	2084	2625	2752
TC1.599	99"	1 1/2"	98 7/8"	1 1/2"						1782	1884		
TC399	99"	3"	98 7/8"	3"						1782	1884		
TC699	99"	6"	98 7/8"	6"						2004	2119		
TC1.5102	102"	1 1/2"	101 7/8"	1 1/2"						1886	1994		
TC3102	102"	3"	101 7/8"	3"						1886	1994		
TC6102	102"	6"	101 7/8"	6"						2137	2259		

## Fluted Tall Column

TFC384	84"	3"	83 7/8"	3"			727	2120	1617	1709			
TFC684	84"	6"	83 7/8"	6"			930	2427	1831	1936			
TFC387	87"	3"	86 7/8"	3"			760	2166	1648	1742			
TFC687	87"	6"	86 7/8"	6"			959	2473	1866	1973			
TFC390	90"	3"	89 13/16"	3"			791	2213	1678	1774			
TFC690	90"	6"	89 13/16"	6"			989	2519	1902	2011			
TFC393	93"	3"	92 13/16"	3"			841	2292	1752	1852			
TFC693	93"	6"	92 13/16"	6"			1023	2570	1938	2049			
TFC396	96"	3"	95 13/16"	3"			867	2333	1767	1868			
TFC696	96"	6"	95 13/16"	6"			1057	2625	1971	2084			
TFC399	99"	3"	98 7/8"	3"					1782	1884			
TFC699	99"	6"	98 7/8"	6"					2004	2119			
TFC3102	102"	3"	101 7/8"	3"					1886	1994			
TFC6102	102"	6"	101 7/8"	6"					2137	2259			

# Columns : Vanity Columns

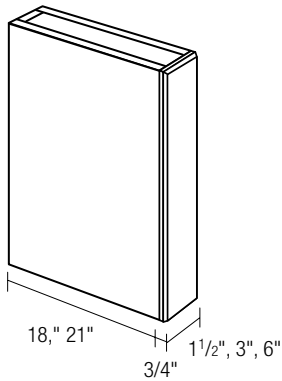
FOR ALL COLUMNS

- Finished Ends standard
- Cabinet heights
- Width modifications from 3" to 6"—  
Non-Fluted: available in 1/16" increments  
Fluted: available in 1/4" increments
- Not available less than 3" wide on all UltraLux door styles
- 1 1/2" wide not available in Textured Melamine
- 1 1/2" wide not available on any Thermofoil door style except Adriatic

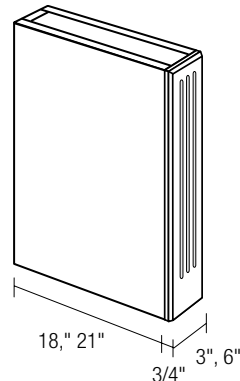
- 1 1/2" wide not available on Eurotek Cape May, Clermont or Lakehurst
- Eurotek **Bisque and Dove White** finishes height modifications available up to 96"; all other finishes available up to 95"
- Wood Premium available in Walnut
- **Thermofoil and Textured Melamine horizontal patterns and grains will run vertically on any component more than 46 1/2" high**
- Fluted Columns not available in Deluxe Veneers, Metal, Melamine or Eurotek
- Fluted Columns not available on Royalton or Plantation door styles

- Fluting stops 3/4" from top and bottom on Wall Columns; stops 3/4" from top and 5" from bottom on Base, Vanity, and Tall Columns
- Space above and below fluting, on Wood Fillers only, can be modified to accommodate Rosettes, Onlays and Corbels; see Custom Modifications page 9.3 and Variable Height Fluting Order Form, see OneTouch
- **To add a Toe Kick notch to a Base Column, add "TK" to the end of the sku**

## Vanity Base Columns



VANITY COLUMN



FLUTED VANITY COLUMN

Vanity Base Column	Backer/	Backer/	Filler	Filler	Melamine	Eurotek	Textured Melamine	Standard Thermofoil	Premium Thermofoil	Wood	Wood Premium	Laminate For Metal	UltraLux
	Column Height	Column Width	Height	Width									
<b>Vanity Base Column</b>													
VC1.5	32"	1 1/2"	31 13/16"	1 1/2"	302	302		362	1015	694	734	1015	
VC3	32"	3"	31 13/16"	3"	302	302	362	362	1015	694	734	1015	1065
VC6	32"	6"	31 13/16"	6"	462	462	554	554	1216	803	849	1216	1277
VC1.524	24"	1 1/2"	23 7/8"	1 1/2"	275	275		330	836	576	609	836	
VC324	24"	3"	23 7/8"	3"	275	275	330	330	836	576	609	836	880
VC624	24"	6"	23 7/8"	6"	414	414	497	497	1004	692	732	1004	1053
VC1.5-18	32"	1 1/2"	31 13/16"	1 1/2"	302	295		362	1015	694	609	1015	
VC3-18	32"	3"	31 13/16"	3"	302	295	362	362	1015	694	734	1015	1065
VC6-18	32"	6"	31 13/16"	6"	462	462	554	554	1216	803	849	1216	1277
VC1.524-18	24"	1 1/2"	23 7/8"	1 1/2"	275	275		330	836	576	609	836	
VC324-18	24"	3"	23 7/8"	3"	275	275	330	330	836	576	609	836	836
VC624-18	24"	6"	23 7/8"	6"	414	414	497	497	1005	692	732	1005	1005
<b>Tall Vanity Base Column</b>													
VCT1.5	34 1/2"	1 1/2"	34 5/16"	1 1/2"	350	350		420	1060	698	738	1060	
VCT3	34 1/2"	3"	34 5/16"	3"	350	350	420	420	1060	698	738	1060	1111
VCT6	34 1/2"	6"	34 5/16"	6"	463	463	556	556	1226	803	849	1226	1288
VCT1.518	34 1/2"	1 1/2"	34 5/16"	1 1/2"	350	350		420	1060	698	738	1060	
VCT318	34 1/2"	3"	34 5/16"	3"	350	350	420	420	1060	698	738	1060	1111
VCT618	34 1/2"	6"	34 5/16"	6"	463	463	556	556	1226	803	849	1226	1288
<b>Fluted Vanity Base Column</b>													
VFC3	32"	3"	31 13/16"	3"				302	1014	694	734		
VFC6	32"	6"	31 13/16"	6"				462	1216	803	849		
VFC324	24"	3"	23 7/8"	3"				302	1014	694	734		
VFC624	24"	6"	23 7/8"	6"				462	1216	803	849		
VFC3-18	32"	3"	31 13/16"	3"				275	836	576	609		
VFC6-18	32"	6"	31 13/16"	6"				414	1005	692	732		
VFC324-18	24"	3"	23 7/8"	3"				275	836	576	609		
VFC624-18	24"	6"	23 7/8"	6"				414	1005	692	732		
<b>Fluted Tall Vanity Base Column</b>													
VFCT3	34 1/2"	3"	34 5/16"	3"				350	1060	698	738		
VFCT6	34 1/2"	6"	34 5/16"	6"				463	1224	803	849		
VFCT318	34 1/2"	3"	34 5/16"	3"				350	1060	698	738		
VFCT618	34 1/2"	6"	34 5/16"	6"				463	1224	803	849		

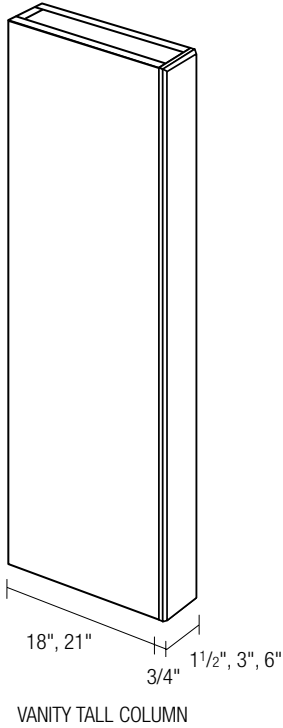
# Columns : Vanity Columns

**FOR ALL COLUMNS**

- Finished Ends standard
- Cabinet heights
- Width modifications from 3" to 6"–  
Non-Fluted: available in 1/16" increments  
Fluted: available in 1/4" increments
- Not available less than 3" wide on all UltraLux door styles
- 1 1/2" wide not available in Textured Melamine
- 1 1/2" wide not available on any Thermofoil door style except Adriatic

- 1 1/2" wide not available on Eurotek Cape May, Clermont or Lakehurst
- Eurotek Bisque and Dove White finishes height modifications available up to 96"; all other finishes available up to 95"
- Wood Premium available in Walnut
- **Thermofoil and Textured Melamine horizontal patterns and grains will run vertically on any component more than 46 1/2" high**
- Fluted Columns not available in Deluxe Veneers, Metal, Melamine or Eurotek
- Fluted Columns not available on Royalton or Plantation door styles

- Fluting stops 3/4" from top and bottom on Wall Columns; stops 3/4" from top and 5" from bottom on Base, Vanity, and Tall Columns
- Space above and below fluting, on Wood Fillers only, can be modified to accommodate Rosettes, Onlays and Corbels; see Custom Modifications page 9.3 and Variable Height Fluting Order Form, see OneTouch
- **To add a Toe Kick notch to a Base Column, add "TK" to the end of the sku**



## Vanity Tall Columns

	Backer/ Column Height	Backer/ Column Width	Filler Height	Filler Width	Melamine	Eurotek	Textured Melamine	Standard Thermofoil	Premium Thermofoil	Wood	Wood Premium	Laminate For Metal	UltraLux
<b>Vanity Tall Column</b>													
VTC1.584	84"	1 1/2"	83 7/8"	1 1/2"	710	727		852	2093	1598	1689	2093	
VTC384	84"	3"	83 7/8"	3"	710	727	852	852	2093	1598	1689	2093	2196
VTC684	84"	6"	83 7/8"	6"	910	910	1092	1092	2402	1811	1914	2402	2522
VTC1.587	87"	1 1/2"	86 7/8"	1 1/2"	740	740		888	2137	1627	1720	2137	
VTC387	87"	3"	86 7/8"	3"	740	740	888	888	2137	1627	1720	2137	2244
VTC687	87"	6"	86 7/8"	6"	939	939	1127	1127	2444	1847	1953	2444	2567
VTC1.590	90"	1 1/2"	89 13/16"	1 1/2"	770	770		924	2183	1658	1753	2183	
VTC390	90"	3"	89 13/16"	3"	770	770	924	924	2183	1658	1753	2183	2292
VTC690	90"	6"	89 13/16"	6"	969	969	1163	1163	2487	1882	1990	2487	2611
VTC1.593	93"	1 1/2"	92 13/16"	1 1/2"	796	796		955	2222	1691	1788	2222	
VTC393	93"	3"	92 13/16"	3"	796	796	955	955	2222	1691	1788	2222	2333
VTC693	93"	6"	92 13/16"	6"	1005	1005	1206	1206	2542	1917	2027	2542	2668
VTC1.596	96"	1 1/2"	95 13/16"	1 1/2"	818	818		982	2258	1725	1824	2258	
VTC396	96"	3"	95 13/16"	3"	818	818	982	982	2258	1725	1824	2258	2371
VTC696	96"	6"	95 13/16"	6"	1042	1042	1250	1250	2596	1956	2068	2596	2727
VTC1.599	99"	1 1/2"	98 7/8"	1 1/2"	838	838		1006	2292	1759	1860	2292	
VTC399	99"	3"	98 7/8"	3"	838	838	1006	1006	2292	1759	1860	2292	2408
VTC699	99"	6"	98 7/8"	6"	1078	1078	1294	1294	2650	1995	2109	2650	2786
VTC1.58418	84"	1 1/2"	83 7/8"	1 1/2"	710	710		852	2093	1598	1689	2093	
VTC38418	84"	3"	83 7/8"	3"	710	710	852	852	2093	1598	1689	2093	2196
VTC68418	84"	6"	83 7/8"	6"	910	910	1092	1092	2402	1811	1914	2402	2522
VTC1.58718	87"	1 1/2"	86 7/8"	1 1/2"	740	740		888	2137	1627	1721	2137	
VTC38718	87"	3"	86 7/8"	3"	740	740	888	888	2137	1627	1721	2137	2244
VTC68718	87"	6"	86 7/8"	6"	939	939	1127	1127	2444	1847	1952	2444	2567
VTC1.59018	90"	1 1/2"	89 13/16"	1 1/2"	770	770		924	2183	1658	1753	2183	
VTC39018	90"	3"	89 13/16"	3"	770	770	924	924	2183	1658	1753	2183	2292
VTC69018	90"	6"	89 13/16"	6"	969	969	1163	1163	2487	1882	1990	2487	2611
VTC1.59318	93"	1 1/2"	92 13/16"	1 1/2"	796	796		955	2222	1691	1788	2222	
VTC39318	93"	3"	92 13/16"	3"	796	796	955	955	2222	1691	1788	2222	2333
VTC69318	93"	6"	92 13/16"	6"	1005	1005	1206	1206	2542	1917	2027	2542	2668
VTC1.59618	96"	1 1/2"	95 13/16"	1 1/2"	818	818		982	2258	1725	1824	2258	
VTC39618	96"	3"	95 13/16"	3"	818	818	982	982	2258	1725	1824	2258	2371
VTC69618	96"	6"	95 13/16"	6"	1042	1042	1250	1250	2596	1956	2068	2596	2727
VTC1.59918	99"	1 1/2"	98 7/8"	1 1/2"						1759	1860		
VTC39918	99"	3"	98 7/8"	3"						1759	1860		
VTC69918	99"	6"	98 7/8"	6"						1995	2109		



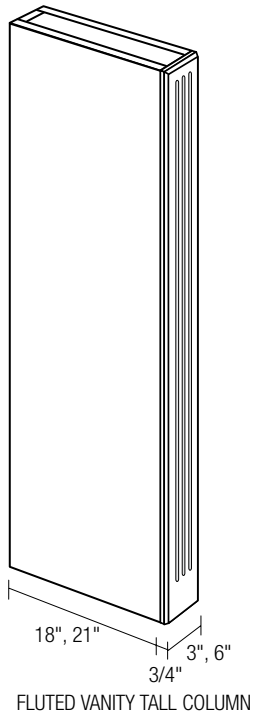
# Columns : Vanity Columns

## FOR ALL COLUMNS

- Finished Ends standard
- Cabinet heights
- Width modifications from 3" to 6"–  
Non-Fluted: available in 1/16" increments  
Fluted: available in 1/4" increments
- Not available less than 3" wide on all UltraLux door styles
- 1 1/2" wide not available in Textured Melamine
- 1 1/2" wide not available on any Thermofoil door style except Adriatic

- 1 1/2" wide not available on Eurotek Cape May, Clermont or Lakehurst
- Eurotek **Bisque and Dove** White finishes height modifications available up to 96"; all other finishes available up to 95"
- Wood Premium available in Walnut
- **Thermofoil and Textured Melamine horizontal patterns and grains will run vertically on any component more than 46 1/2" high**
- Fluted Columns not available in Deluxe Veneers, Metal, Melamine or Eurotek
- Fluted Columns not available on Royalton or Plantation door styles

- Fluting stops 3/4" from top and bottom on Wall Columns; stops 3/4" from top and 5" from bottom on Base, Vanity, and Tall Columns
- Space above and below fluting, on Wood Fillers only, can be modified to accommodate Rosettes, Onlays and Corbels; see Custom Modifications page 9.3 and Variable Height Fluting Order Form, see OneTouch
- **To add a Toe Kick notch to a Base Column, add "TK" to the end of the sku**



## Vanity Tall Columns

	Backer/ Column Height	Backer/ Column Width	Filler Height	Filler Width	Melamine	Eurotek	Textured Melamine	Standard Thermofoil	Premium Thermofoil	Wood	Wood Premium	Laminate For Metal	UltraLux
<b>Vanity Fluted Tall Column</b>													
VTFC384	84"	3"	83 7/8"	3"				710	2093	1598	1689		
VTFC684	84"	6"	83 7/8"	6"				910	2402	1811	1914		
VTFC387	87"	3"	86 7/8"	3"				740	2137	1627	1720		
VTFC687	87"	6"	86 7/8"	6"				939	2444	1847	1953		
VTFC390	90"	3"	89 13/16"	3"				770	2182	1658	1753		
VTFC690	90"	6"	89 13/16"	6"				969	2487	1882	1990		
VTFC393	93"	3"	92 13/16"	3"				796	2220	1691	1788		
VTFC693	93"	6"	92 13/16"	6"				1005	2541	1917	2027		
VTFC396	96"	3"	95 13/16"	3"				818	2258	1725	1824		
VTFC696	96"	6"	95 13/16"	6"				1042	2595	1956	2068		
VTFC399	99"	3"	98 7/8"	3"						1759	1860		
VTFC699	99"	6"	98 7/8"	6"						1995	2109		
VTFC38418	84"	3"	83 7/8"	3"				710	2093	1598	1689		
VTFC68418	84"	6"	83 7/8"	6"				910	2402	1811	1914		
VTFC38718	87"	3"	86 7/8"	3"				740	2137	1627	1834		
VTFC68718	87"	6"	86 7/8"	6"				940	2444	1847	1912		
VTFC39018	90"	3"	89 13/16"	3"				770	2182	1658	1753		
VTFC69018	90"	6"	89 13/16"	6"				969	2487	1882	1990		
VTFC39318	93"	3"	92 13/16"	3"				796	2220	1691	1788		
VTFC69318	93"	6"	92 13/16"	6"				1005	2541	1917	2027		
VTFC39618	96"	3"	95 13/16"	3"				818	2258	1725	1824		
VTFC69618	96"	6"	95 13/16"	6"				1042	2595	1956	2068		
VTFC39918	99"	3"	98 7/8"	3"						1759	1860		
VTFC69918	99"	6"	98 7/8"	6"						1995	2109		

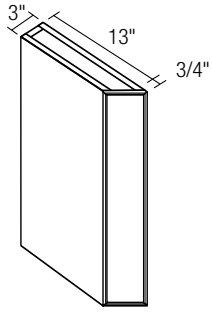
# Columns : Angled Columns

## FOR ALL ANGLED COLUMNS

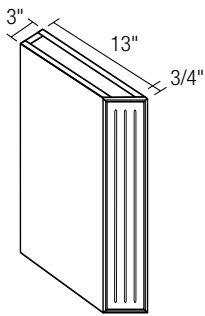
- Finished Ends standard
- Cabinet heights
- Width modifications not available
- Not available less than 3" wide on all UltraLux door styles
- 1 1/2" wide not available in Textured Melamine
- 1 1/2" wide not available on any Thermofoil door style except Adriatic
- 1 1/2" wide not available on Eurotek Cape May, Clermont or Lakehurst

- Eurotek Bisque and Dove White finishes height modifications available up to 96"; all other finishes available up to 95"
- Wood Veneer Premium available in Walnut
- **Thermofoil and Textured Melamine horizontal patterns and grains will run vertically on any component more than 46 1/2" high**
- Fluted Columns not available in Deluxe Veneers, Metal, Melamine or Eurotek
- Fluted Columns not available on Royalton or Plantation door styles

- Fluting stops 3/4" from top and bottom on Wall Columns; stops 3/4" from top and 5" from bottom on Base, Vanity, and Tall Columns
- Space above and below fluting, on Wood Fillers only, can be modified to accommodate Rosettes, Onlays and Corbels; see Custom Modifications page 9.3 and Variable Height Fluting Order Form, see OneTouch
- To add a Toe Kick notch to a Base Column, add "TK" to the end of the sku



WALL ANGLED COLUMN



FLUTED WALL ANGLED COLUMN

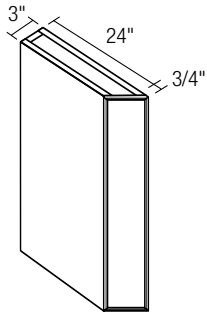
## Wall Angled Columns

	Backer/ Column Height	Backer/ Column Width	Filler Height	Filler Width							
					Melamine	Eurotek	Textured Melamine	Standard Thermofoil	Premium Thermofoil	Wood	Wood Premium
<b>Wall Angled Column</b>											
WAC330	30"	3"	29 13/16"	3"			682	1197	702	742	1197
WAC333	33"	3"	32 13/16"	3"			725	1290	740	782	1290
WAC336	36"	3"	35 13/16"	3"			764	1381	776	820	1381
WAC339	39"	3"	38 7/8"	3"			809	1473	814	861	1473
WAC342	42"	3"	41 7/8"	3"			854	1567	852	901	1567
WAC345	45"	3"	44 13/16"	3"			905	1667	895	946	1667
WAC348	48"	3"	47 13/16"	3"			958	1766	938	992	1766
WAC351	50"	3"	50 13/16"	3"			1008	1867	979	1034	1867
WAC354	54"	3"	53 7/8"	3"			1058	1967	1019	1077	1967
WAC357	57"	3"	56 7/8"	3"			1108	2072	1064	1125	2072
WAC360	60"	3"	59 13/16"	3"			1158	2170	1107	1170	2170
<b>Fluted Wall Angled Column</b>											
WFAC330	30"	3"	29 13/16"	3"			568	1196	702	742	
WFAC333	33"	3"	32 13/16"	3"			604	1289	740	782	
WFAC336	36"	3"	35 13/16"	3"			637	1380	776	820	
WFAC339	39"	3"	38 7/8"	3"			674	1473	814	861	
WFAC342	42"	3"	41 7/8"	3"			712	1567	852	901	
WFAC345	45"	3"	44 13/16"	3"			754	1667	895	946	
WFAC348	48"	3"	47 13/16"	3"			798	1766	938	992	
WFAC351	50"	3"	50 13/16"	3"			840	1867	979	1034	
WFAC354	54"	3"	53 7/8"	3"			882	1967	1019	1077	
WFAC357	57"	3"	56 7/8"	3"			923	2071	1064	1125	
WFAC360	60"	3"	59 13/16"	3"			965	2170	1107	1170	

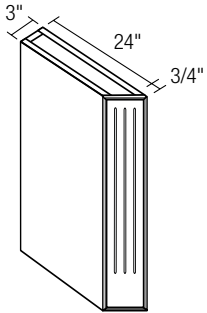
# Columns : Angled Columns

## FOR ALL ANGLED COLUMNS

- Finished Ends standard
- Cabinet heights
- Width modifications not available
- Not available less than 3" wide on all UltraLux door styles
- 1 1/2" wide not available in Textured Melamine
- 1 1/2" wide not available on any Thermofoil door style except Adriatic
- 1 1/2" wide not available on Eurotek Cape May, Clermont or Lakehurst
- Eurotek **Bisque and Dove White** finishes height modifications available up to 96"; all other finishes available up to 95"
- Wood Veneer Premium available in Walnut
- **Thermofoil and Textured Melamine horizontal patterns and grains will run vertically on any component more than 46 1/2" high**
- Fluted Columns not available in Deluxe Veneers, Metal, Melamine or Eurotek
- Fluted Columns not available on Royalton or Plantation door styles
- Fluting stops 3/4" from top and bottom on Wall Columns; stops 3/4" from top and 5" from bottom on Base, Vanity, and Tall Columns
- Space above and below fluting, on Wood Fillers only, can be modified to accommodate Rosettes, Onlays and Corbels; see Custom Modifications page 9.3 and Variable Height Fluting Order Form, see OneTouch
- To add a Toe Kick notch to a Base Column, add "TK" to the end of the sku



BASE ANGLED COLUMN



FLUTED BASE ANGLED COLUMN

## Base Angled Columns

	Backer/ Column Height	Backer/ Column Width	Filler Height	Filler Width	Melamine	Eurotek	Textured Melamine	Standard Thermofoil	Premium Thermofoil	Wood	Wood Premium	Laminate For Metal	UltraLux
<b>Base Angled Column</b>													
BAC328	28 <sup>3</sup> / <sub>16</sub> "	3"	28 <sup>1</sup> / <sub>16</sub> "	3"			683	1438	912	964	1438		
BAC332	32"	3"	31 <sup>13</sup> / <sub>16</sub> "	3"			716	1492	938	992	1492		
BAC334	34 <sup>1</sup> / <sub>2</sub> "	3"	34 <sup>5</sup> / <sub>16</sub> "	3"			756	1536	961	1016	1536		
<b>Fluted Base Angled Column</b>													
BFAC328	28 <sup>3</sup> / <sub>16</sub> "	3"	28 <sup>1</sup> / <sub>16</sub> "	3"			569	1438	912	964			
BFAC332	32"	3"	31 <sup>13</sup> / <sub>16</sub> "	3"			597	1491	938	992			
BFAC334	34 <sup>1</sup> / <sub>2</sub> "	3"	34 <sup>5</sup> / <sub>16</sub> "	3"			630	1536	961	1016			

# Panels : General

- When ordering specify height, width, grain direction, edgebanding and finished one side or two where available
- Minimum 3 sq. ft. charge for all panels
- Panel thickness may vary slightly between different finishes and materials
- ★ Plywood panels 96" high are not available in Argent Oak, Burnished Walnut, Ebony Ash, Flame Oak or Silver Elm Textured Melamine finishes.

## Special Size Panels

	Melamine	Eurotek	Textured Melamine	Melamine For Standard Thermofoil	Premium Thermofoil	Wood Veneer	Wood Veneer Premium	Laminate For Metal	UltraLux
--	----------	---------	-------------------	----------------------------------	--------------------	-------------	---------------------	--------------------	----------

FLAT PANELS (PRICES ARE PER SQ. FT.)

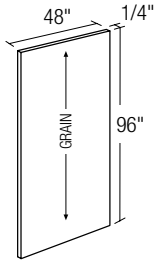
	13	12	16	16	59	33	43	54	59
--	----	----	----	----	----	----	----	----	----

FINISH BOTH SIDES AND ALL FOUR EDGES: ...\$100 (Plus any Radius Cuts, Angle Cuts, or Applied Edgebanding charges)

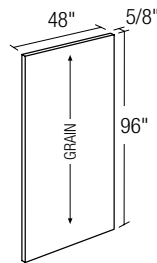
RADIUS CUTS: .....\$192 each

ANGLE CUTS: .....\$119 each; specify angle

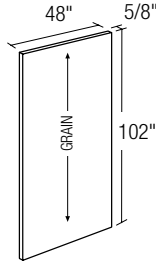
APPLIED EDGEBOARDING: .....\$7 per linear foot; specify edges



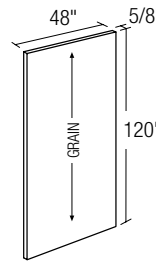
- 1/4"-THICK PANELS
- MDF only
  - No edgebanding
  - Finished one side only



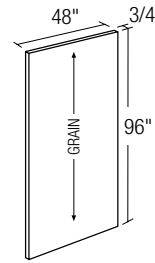
- 5/8"-THICK PANELS UP TO 96" HIGH
- Engineered Furniture Core and Plywood
  - Specify edgebanding; \$7 per linear foot
  - Max Height/Width, subtract 1/2" with Edgebanding on non-Wood Veneer panels
  - Add Plywood upcharge where available
  - Finished one or two sides; specify



- 5/8"-THICK PANELS UP TO 102" HIGH
- Engineered Furniture Core and Plywood
  - Specify edgebanding; \$7 per linear foot
  - Max Height/Width, subtract 1/2" with Edgebanding on non-Wood Veneer panels
  - Add Plywood upcharge where available
  - Finished one or two sides; specify



- 5/8"-THICK PANELS UP TO 120" HIGH
- Engineered Furniture Core only
  - Specify edgebanding; \$7 per linear foot
  - Max Height/Width, subtract 1/2" with Edgebanding on non-Wood Veneer panels

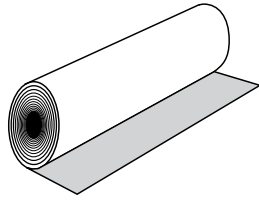


- 3/4"-THICK PANELS
- Engineered Furniture Core and Plywood
  - Specify edgebanding; \$7 per linear foot
  - Max Height/Width, subtract 1/2" with Edgebanding on non-Wood Veneer panels
  - Add Plywood upcharge where available
  - Finished one or two sides; specify

## SPECIAL SIZE PANELS AVAILABILITY

FINISHES	MDF PANELS	ENGINEERED FURNITURE CORE PANELS				PLYWOOD PANELS		
	1/4"-thick UP TO 96" high	5/8"-thick UP TO 96" high	5/8"-thick UP TO 102" high	5/8"-thick UP TO 120" high	3/4"-thick UP TO 96" high	5/8"-thick UP TO 96" high	5/8"-thick UP TO 102" high	3/4"-thick UP TO 96" high
Melamine – White	●	●	●	N/A	●	●	N/A	●
Melamine – Grey	●	●	●	N/A	●	●	N/A	●
Melamine – Neutral Woodgrain	●	●	●	N/A	●	●	●	●
Eurotek	●	●	N/A	N/A	●	N/A	N/A	N/A
Textured Melamine	N/A	●	N/A	N/A	●	●*	N/A	●*
Thermofoil	●	●	N/A	N/A	●	N/A	N/A	N/A
Wood Veneer	●	●	●	●	●	●	●	●
Deluxe Veneer Bamboo (HZ & VT)	●	N/A	N/A	N/A	N/A	●	N/A	●
Wood Veneer Premium Walnut	●	●	●	N/A	●	●	●	●
Laminate for Metal	N/A	●	N/A	N/A	●	N/A	N/A	N/A
UltraLux	N/A	●	N/A	N/A	●	N/A	N/A	N/A

# Panels : General



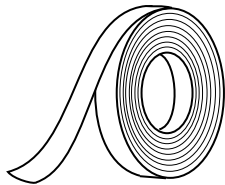
## Skins

		SKU	Melamine	Eurotek	Textured Melamine	Melamine For Standard Thermofoil	Premium Thermofoil	Wood Veneer	Wood Veneer Premium	Metal	UltraLux
Wall	13" w x Specify Height	SKIN-W			106		106	195			110
Base	24" w x 34 1/2" h	SKIN-B			227		227	319			236
Tall	24" w x 96" h	SKIN-T			373		373	579			392
Vanity	21" w x 32" h	SKIN-V			227		227	319			236
Tall Vanity	21" w x 34 1/2" h	SKIN-VT			227		227	319			236
Medicine	5 1/8" w x Specify Height	SKIN-M			106		106	172			110
	27 1/2" w x 8 feet	SKIN-VSN		137							

- Not available in Red Birch, Wood Veneer Premium Walnut or Bamboo HZ
- Textured Melamines for Piper door style will be Phenolic
- Skins not available for Argent Oak, Burnished Walnut, Ebony Ash, Flame Oak and Silver Elm Textured Melamines
- Skins not available for Eurotek Dove White or Bisque
- Grain runs lengthwise on Eurotek skins

### FIELD INSTALLATION RECOMMENDATIONS

1. Remove factory-installed Edgebanding
2. Apply Phenolic and Wood-backed skins with a water-based contact adhesive only
3. No additional adhesive is needed for PSA (Peel and Stick) skins with pre-applied adhesive
4. Apply new PVC Edgebanding with a hot, dry iron; see below to order new PVC Edgebanding
5. Allow Edgebanding to cool
6. Trim Edgebanding as required



- 15/16" Heat-applied PVC Edgebanding
- Field installed
- Wood Veneer Edgebanding available unfinished only

### FIELD INSTALLATION RECOMMENDATIONS

1. Remove factory-installed Edgebanding
2. Apply new PVC Edgebanding with a hot, dry iron
3. Allow Edgebanding to cool
4. Trim Edgebanding as required

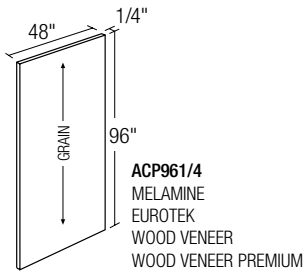
## Edgebanding

Item	Price
8 FOOT	34
10 FOOT	37
12 FOOT	43
25 FOOT	59

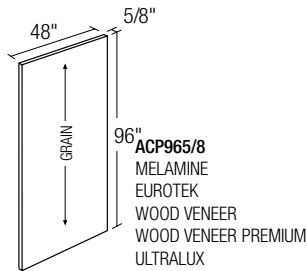
- Not edgebanded; if banding is required, see Special Size Panels on page 15.1
- Modifications not available. Use Special Size Panels on page 15.1
- Eurotek not available with profiled edge
- Wood Veneer Premium available in Walnut

## Accessory Panel

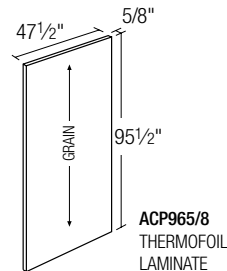
	Melamine	Eurotek	Textured Melamine	Melamine For Standard Thermofoil	Premium Thermofoil	Wood Veneer	Wood Veneer Premium	Laminate For Metal	UltraLux
ACP961/4	231	227	277	277	1762	712	753	1224	1644
ACP965/8	300	295	360	360	1819	860	909	1274	1644
ACP1205/8						1074	1135		



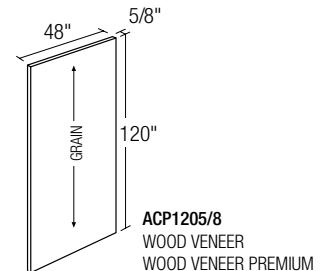
- Finished one side
- Not available in Textured Melamine
- Not available in horizontal grain Wood Veneer



- Finished one side
- Textured Melamine horizontal patterns and grains will run vertically

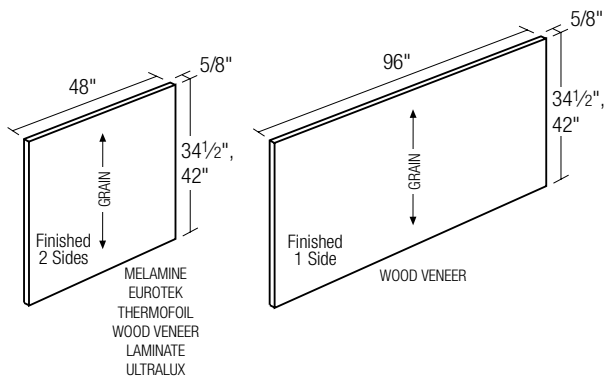


- Finished one side
- Thermofoil horizontal patterns and grains will run vertically



- Finished both sides

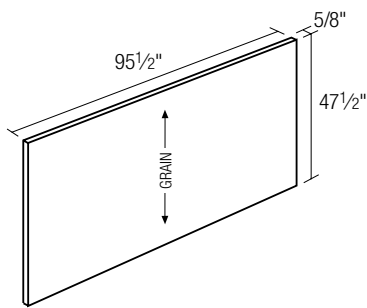
# Panels : General



## Universal Accessory Panel

	Melamine	Eurotek	Textured Melamine	Melamine For Standard Thermofoil	Premium Thermofoil	Wood Veneer	Wood Veneer Premium	Laminate For Metal	UltraLux
UAP4842	131	131	157	157	1090	504		744	1090
UAP9642						966			
UAP4834	109	109	131	131	883	437		603	883
UAP9634						802			

- Edgebanded four sides
- Wood Veneer panels are not available in Red Birch, Wood Veneer Premium Walnut or Bamboo HZ
- **Size cannot be modified**
- Maximum height for Thermofoil and Laminate is 47 1/2"
- Not available in plywood

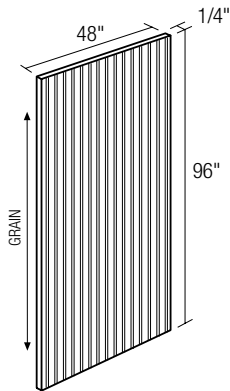


## Cross-Grain Paneling

	Melamine	Eurotek	Textured Melamine	Melamine For Standard Thermofoil	Premium Thermofoil	Wood Veneer	Wood Veneer Premium	Laminate For Metal	UltraLux
CGP9648							1009		

CUT PANEL TO SIZE: add \$111 to Special Size Panel (pg 15.1) square foot pricing

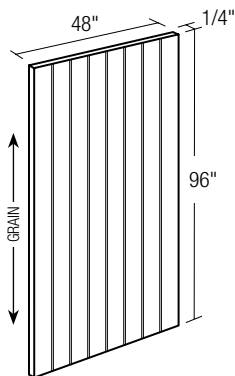
- Finished one side and all four edges
- Edgebanded four sides
- Not available in Red Birch, Alder, Bamboo HZ or Wood Veneer Premium Walnut
- Not available in plywood



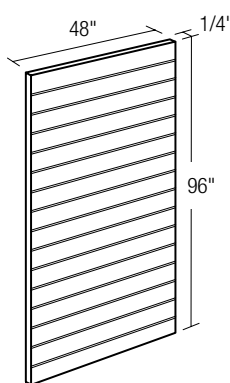
## Beaded Paneling

	Melamine	Eurotek	Textured Melamine	Melamine For Standard Thermofoil	Premium Thermofoil	Wood Veneer	Wood Veneer Premium	Laminate For Metal	UltraLux
BDP96							1102		

- Finished beaded side only
- Not available in Red Birch, Alder, Wood Veneer Premium Walnut or Deluxe Veneers
- Edgebanding not available
- **Size cannot be modified**



SHIPLAPPNL96VT  
Painted MDF or  
Stained Wood Veneer

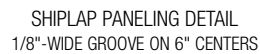


SHIPLAPPNL96HZ  
Painted MDF only

## Shiplap Paneling

	Price Per Sq. Ft.
SHIPLAPPNL96VT	35
SHIPLAPPNL96HZ	35

- Painted panels on MDF core; stained panels on veneer core
- Stained wood veneer panels are not available in SHIPLAPPNL96HZ
- 12 sq. ft. minimum
- Finished on grooved side only
- Not available in Deluxe Veneers or Bamboo

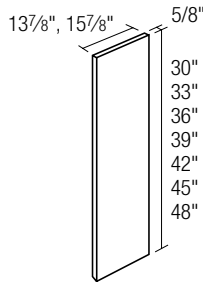


# Panels : End Panels

FOR ALL WALL, BASE, TALL AND VANITY END PANELS

- Finished on both sides and long edges
- Grain follows same direction as Finished Ends
- Wood Veneer Premium available in Walnut

- Not available with profiled edges



## Wall End Panels

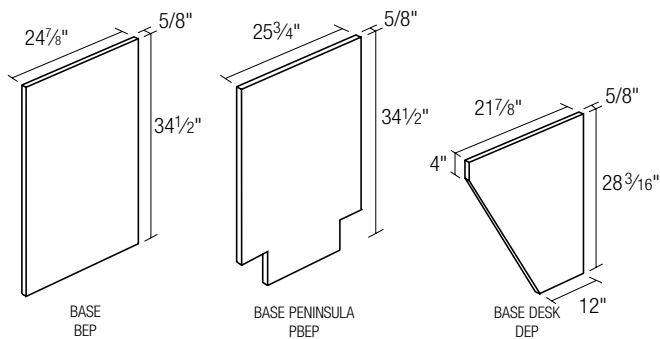
	Melamine Melamine	Textured Melamine	Melamine For Standard Thermofoil	Premium Thermofoil	Wood Veneer	Wood Veneer Premium	Laminate For Metal	UltraLux
--	----------------------	----------------------	--	-----------------------	----------------	---------------------------	-----------------------	----------

### Wall End Panel – 13 7/8"

WEP30	101	101	121	121	285	212	224	270	285
WEP33	106	106	127	127	297	218	230	282	297
WEP36	110	110	132	132	309	225	238	294	309
WEP39	114	114	137	137	320	231	244	303	320
WEP42	117	117	140	140	328	236	249	315	328
WEP45	121	121	145	145	337	240	254	327	337
WEP48	124	124	149	149	345	244	258	340	345

### Wall End Panel – 15 7/8"

WEP30-15	102	102	122	122	298	231	244	285	298
WEP33-15	108	108	130	130	311	241	255	297	311
WEP36-15	112	112	134	134	325	248	262	308	325
WEP39-15	115	115	138	138	335	255	270	320	335
WEP42-15	118	118	142	142	345	260	275	328	345
WEP45-15	122	122	146	146	356	266	281	337	356
WEP48-15	125	125	150	150	368	272	288	345	368



- Peninsula Base End Panel has edgebanded toe-notch

## Base End Panels

	Melamine Melamine	Textured Melamine	Melamine For Standard Thermofoil	Premium Thermofoil	Wood Veneer	Wood Veneer Premium	Laminate For Metal	UltraLux
--	----------------------	----------------------	--	-----------------------	----------------	---------------------------	-----------------------	----------

### Base End Panel

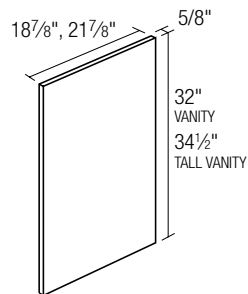
BEP	106	106	127	127	404	321	339	384	404
-----	-----	-----	-----	-----	-----	-----	-----	-----	-----

### Base Peninsula End Panel

PBEP	130	130	156	156	597	426	450	570	597
------	-----	-----	-----	-----	-----	-----	-----	-----	-----

### Base Desk End Panel

DEP	117	117	140	140		397	420	527	
-----	-----	-----	-----	-----	--	-----	-----	-----	--



## Vanity End Panels

	Melamine Melamine	Textured Melamine	Melamine For Standard Thermofoil	Premium Thermofoil	Wood Veneer	Wood Veneer Premium	Laminate For Metal	UltraLux
--	----------------------	----------------------	--	-----------------------	----------------	---------------------------	-----------------------	----------

### Vanity End Panel

VEP	101	101	121	121	383	285	301	329	383
VEP-18	101	101	121	121	383	285	301	329	383

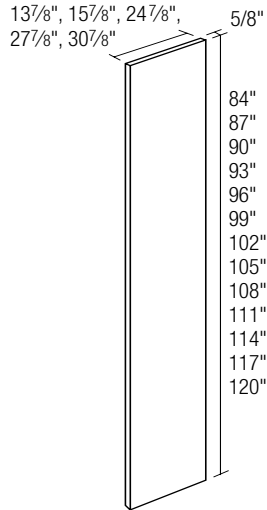
### Tall Vanity End Panel

VEPT	110	110	132	132	415	300	317	359	415
VEPT-18	110	110	132	132	415	300	317	359	415

# Panels : End Panels

FOR ALL WALL, BASE, TALL AND VANITY END PANELS

- Finished on both sides and long edges
- Grain follows same direction as Finished Ends



## Tall End Panels

	Melamine	Eurotek	Textured Melamine	Melamine For Standard	Premium Thermofoil	Wood Veneer	Wood Veneer Premium	Laminate For Metal	UltraLux
FSEP1384	159	159	191	191	614	455	481	585	614
FSEP1584	187	187	224	224	773	542	573	641	773
FSEP2484	242	242	290	290	1090	716	757	754	1090
FSEP2784	269	269	323	323	1249	802	848	810	1249
FSEP3084	297	297	356	356	1408	888	939	867	1408
FSEP1387	165	165	198	198	620	472	499	590	620
FSEP1587	193	193	232	232	790	561	593	652	790
FSEP2487	249	249	299	299	1129	740	782	776	1129
FSEP2787	278	278	334	334	1299	829	876	837	1299
FSEP3087	308	308	370	370	1469	918	970	899	1469
FSEP1390	170	170	204	204	627	488	516	596	627
FSEP1590	199	199	239	239	814	580	613	663	814
FSEP2490	259	259	311	311	1168	765	809	798	1168
FSEP2790	288	288	346	346	1333	857	906	864	1333
FSEP3090	317	317	380	380	1533	949	1003	932	1533
FSEP1393	176	176	211	211	641	513	542	608	641
FSEP1593	218	218	262	262	839	642	679	698	839
FSEP2493	268	268	322	322	1207	784	829	828	1207
FSEP2793	310	310	372	372	1350	914	966	918	1350
FSEP3093	331	331	400	400	1599	984	1040	1033	1599

## Tall End Panels *continued*

	Melamine	Eurotek	Textured Melamine	Melamine For Standard	Premium Thermofoil	Wood Veneer	Wood Veneer Premium	Laminate For Metal	UltraLux
FSEP1396	181	181	217	217	651	537	568	620	651
FSEP1596	231	231	277	277	865	670	708	712	865
FSEP2496	279	279	335	335	1246	805	851	854	1246
FSEP2796	329	329	395	395	1387	938	992	945	1387
FSEP3096	343	343	415	415	1668	1017	1075	1064	1668
FSEP1399						562	594		
FSEP1599						698	738		
FSEP2499						826	873		
FSEP2799						962	1017		
FSEP3099						1052	1112		
FSEP13102						615	650		
FSEP15102						762	806		
FSEP24102						888	939		
FSEP27102						1034	1093		
FSEP30102						1087	1149		
FSEP13105						668	706		
FSEP15105						826	873		
FSEP24105						950	1004		
FSEP27105						1106	1169		
FSEP30105						1196	1264		
FSEP13108						721	762		
FSEP15108						890	941		
FSEP24108						1012	1070		
FSEP27108						1178	1245		
FSEP30108						1268	1340		
FSEP13111						774	818		
FSEP15111						954	1009		
FSEP24111						1074	1135		
FSEP27111						1250	1321		
FSEP30111						1340	1417		
FSEP13114						827	874		
FSEP15114						1018	1076		
FSEP24114						1136	1201		
FSEP27114						1322	1398		
FSEP30114						1412	1493		
FSEP13117						880	930		
FSEP15117						1082	1144		
FSEP24117						1198	1266		
FSEP27117						1394	1474		
FSEP30117						1484	1569		
FSEP13120						933	986		
FSEP15120						1146	1211		
FSEP24120						1260	1332		
FSEP27120						1466	1550		
FSEP30120						1556	1645		



# Panels : Wainscoting

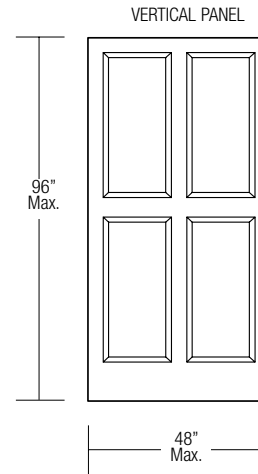
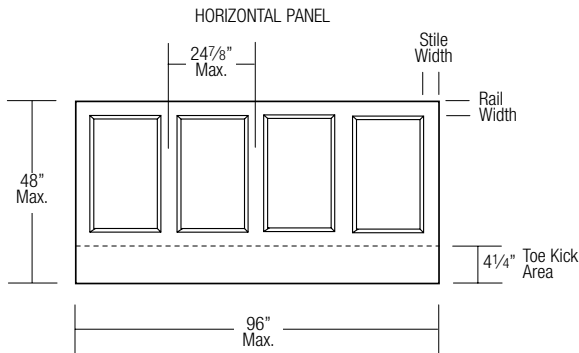
- **DRAWINGS MUST ACCOMPANY ORDER**, contact customer service if you have questions
- Not available in slab door styles
- Can be used in both horizontal and vertical applications
- Modifications to Wainscot Paneling will incur a 35% upcharge
- Wainscoting Cap moulding is available for wood; see below

**Wood:**

- Uses solid wood framing materials with insert materials that match the selected door style. Frame stock dimensions are: Bottom rail – 4 1/4" plus rail dimension; Outer edges – 3/4" thick; Andover rail size is 1/2" smaller
- Outside edges are finished; backs of panels are finished 3" around the perimeter of the panel
- Mitered door styles must have equal rails & stiles and no Toe Kick area. 4 1/4" biscuit-jointed Toe Kick area can be added. Please note on drawings and add Toe Kick Charge
- Not available in Deluxe Veneers
- Any WCP over 48" high will have a horizontal rail centered from top of panel to top of toekick area

**Thermofoil:**

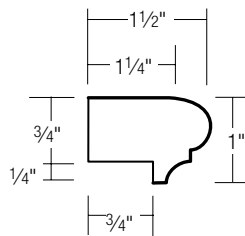
- Has a square outer edge profile with door shape routed into the panel. The reveal on top and sides is 2". The Toe Kick area is 6".



## Wainscoting Panel

	Textured Melamine	Standard Melamine	Premium Thermofoil	Wood Premium	Wood Metal	UltraLux
Price Per Sq. Ft.		103	130	68	88	
Price Per Insert		98	98	112	146	
Toe Kick Attachment For Mitered Doors		150	150	150	150	

Order as WCP followed by width, height, and number of inserts.  
 For example, the item shown below left would be ordered as: WCP9648-4.  
 Item shown below right would be ordered as: WCP4896-4.



## Wainscoting Cap

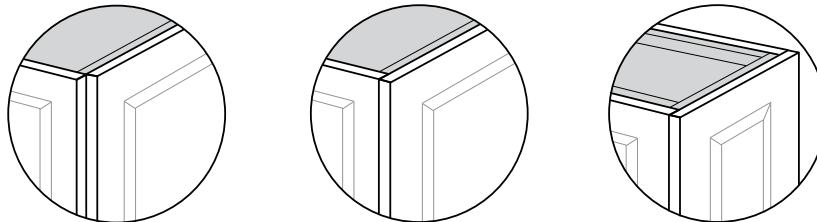
	Textured Melamine	Standard Melamine	Premium Thermofoil	Solid Wood	Solid Wood Premium	UltraLux
WNSCOTCAP						136

- Available in 8' lengths
- Available in Oak, Maple, Cherry, Red Birch and Alder
- Not available in Solid Wood Premium Walnut

# Panels : Decorative End Panels

## DESIGN NOTES

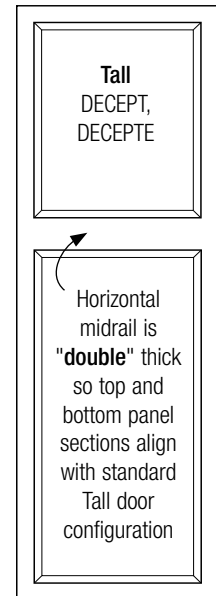
- Panels are available up to 27" wide. For wider panels, order as a door. Refer to constructions notes on individual door pages.
- For DECEPT and DECEPTE Tall Decorative End Panels, Metal Doors cannot be built with horizontal and vertical midrails so individual doors will be shipped
- For Slab doors, one door panel will be shipped. Some Slab Thermofoil doors have non-coordinating backs which can be seen on Extended or Extended Peninsula Panels
- DECEPT and DECEPTE are not available in Eurotek
- Thermofoil and Textured Melamine horizontal patterns and grains will run vertical on panels 46 1/2" and taller
- Field installed
- Please submit a Decorative End Panel Order Form when ordering a Decorative End Panel separately and not as an attachment to a cabinet; see OneTouch
- Please submit a Decorative End Panel Order Form when ordering a Decorative End Panel for a cabinet with any of the following modifications: Height, Depth, Toekick, Reconfigured Doors/Drawers or Door Overhang



	Standard Detail	Extended Detail	Extended Peninsula Detail
<b>For Wall and Hanging Vanity Cabinets</b>	<b>DECEP</b> Standard Detail Box Height less 1/8" Box Depth	<b>DECEPE</b> Extended Detail Box Height less 1/8" Box Depth plus 7/8"	<b>DECEPP</b> Extended Peninsula Detail Box Height less 1/8" Box Depth plus 1 3/4"
<b>For Base and Vanity Cabinets</b>	<b>DECEP</b> Standard Detail Box Height less 1/8", less 4 1/4" Box Depth	<b>DECEPE</b> Extended Detail Box Height less 1/8", less 4 1/4" Box Depth plus 7/8"	<b>DECEPP</b> Extended Peninsula Detail Box Height less 1/8", less 4 1/4" Box Depth plus 1 3/4"
<b>For Tall Cabinets</b>	<b>DECEPT</b> Standard Detail Box Height less 1/8", less 4 1/4" Box Depth	<b>DECEPTE</b> Extended Detail Box Height less 1/8", less 4 1/4" Box Depth plus 7/8"	



less than 26" wide  
less than 60" high



less than 26" wide  
60" high and up

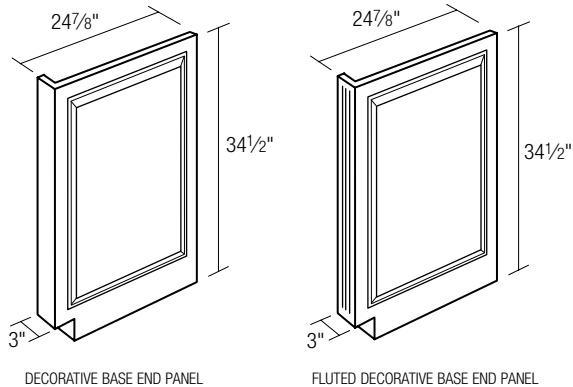
## PRICING NOTES

- Pricing is per square foot; minimum is one square foot. Round up to nearest square foot.
- To calculate list price for each Panel: Multiply Panel width times height (inches), divide by 144, multiply by Price Grade charge.
- Round pricing up to the nearest whole dollar.
- Add appropriate Wood finish premiums. Multiply list price by applicable finish premium. See pages 2.3-2.10.

## Decorative End Panels

Price Grade	1	2	3	4	5	6	7	8	9
MELAMINE	34								
EUROTEK VENEER			77	90					
TEXTURED MELAMINE	34		77	90	106	117			
THERMOFOIL		77	77	90	106	117	133	154	168
WOOD / DELUXE VENEER		77	77	90	106	117	133	154	168
SLIMLINE ALUMINUM DOOR with Plexi Insert									168
SLIMLINE ALUMINUM DOOR with Tech Glass Insert									218
BROADLINE ALUMINUM DOOR									218
BROADLINE STAINLESS STEEL DOOR									218
FINELINE ALUMINUM DOOR									286
ULTRALUX							155		186

# Panels : Decorative End Panels



## Decorative End Panels

	Textured Melamine	Standard Melamine	Premium Thermofoil	Wood Veneer	Solid Wood	Solid Wood Premium	Laminate For Metal	UltraLux
Melamine Eurotek								

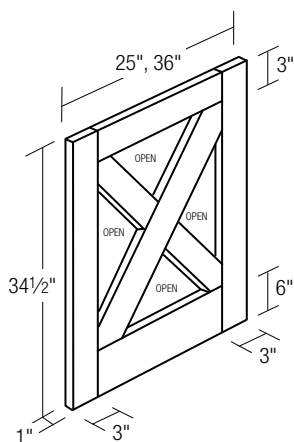
## Decorative Base End Panel

DEBEP			520	1112	805	851		
-------	--	--	-----	------	-----	-----	--	--

## Fluted Decorative Base End Panel

DEFBEP			520	1112	805	851		
--------	--	--	-----	------	-----	-----	--	--

- Designate L/R (right shown)
- Built like a dishwasher return; see page 15.9
- 3" standard with profile
- 1 1/2" minimum filler
- Fluted End Panel not available in Deluxe Veneers
- Wood Premium available in Walnut



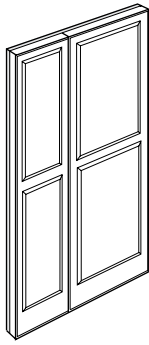
## X-End Panel

	Textured Melamine	Standard Melamine	Premium Thermofoil	Wood Veneer	Solid Wood	Solid Wood Premium	Laminate For Metal	UltraLux
Melamine Eurotek								

BXEP25					995	995		
BXEP36					1195	1195		

- Finished on front, edges and backs of both stiles
- Eased edge outside profile; not door style specific
- Available in all solid wood species
- Panel has openings around the X; when using the X-End panel on the side of a cabinet, you will need a finished end
- The panel is designed to sit out flush with the door on an adjacent cabinet
- Minimum width = 12"; maximum width = 48"  
Minimum height = 20"; maximum height = 48"
- Diagonal X arms are 3" wide and not modifiable

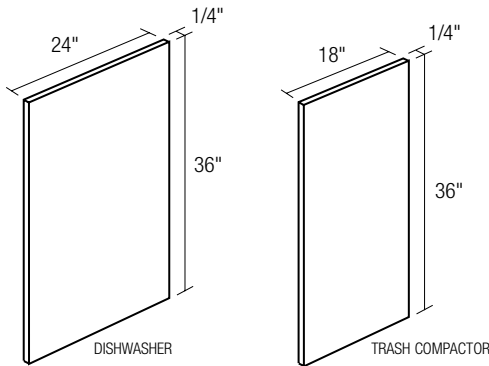
# Panels : Appliance Panels



- Specify panel dimensions and reveal required using Appliance Panel Order Forms. Complete forms must accompany orders, see OneTouch
- Sub-zero 700 Series use Additional/Replacement prices; see page 9.9
- Grille Panels not included for refrigerator fronts
- Mounted to 1/4" thick backer panel
- Special sizes available upon request
- For decorative doors, see pages 15.7
- Thermofoil and Textured Melamine horizontal patterns and grains will run vertically on all doors more than 46 1/2" high
- Price is per square foot (including backer)
- Wood Premium available in Walnut

## Decorative Appliance Fronts

	Melamine	Eurotek	Textured Melamine	Standard Thermofoil	Premium Thermofoil	Wood Veneer	Laminate For Metal	UltraLux
PRICE PER SQ. FT. (INCLUDES BACKER)	63	68	117	177	161	170	167	



## Appliance Front Panels

	Melamine	Eurotek	Textured Melamine	Standard Thermofoil	Premium Thermofoil	Wood Veneer	Laminate For Metal	UltraLux
--	----------	---------	-------------------	---------------------	--------------------	-------------	--------------------	----------

### Dishwasher Panel

DWP	101	101	121	121	471	305	322	375	471
-----	-----	-----	-----	-----	-----	-----	-----	-----	-----

### Trash Compactor Panel

TRCP	81	81	97	97	358	277	293	329	358
------	----	----	----	----	-----	-----	-----	-----	-----

- Not edgebanded
- Field-trim to size
- Grain will follow same direction as Finished Ends
- Wood Veneer Premium available in Walnut
- Not available in Argent Oak, Burnished Walnut, Ebony Ash, Flame Oak and Silver Elm Textured Melamines

- Finished side included
- Grain will follow same direction as Finished Ends
- Wood Premium available in Walnut

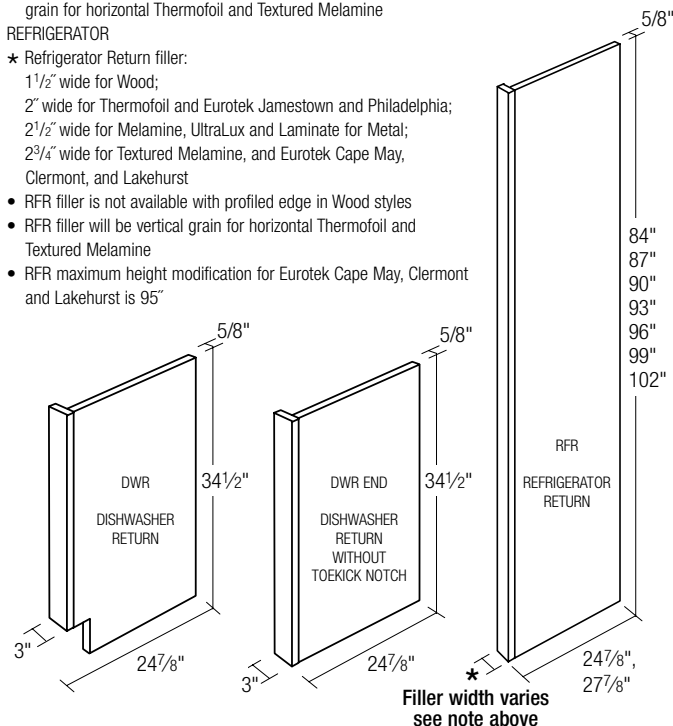
#### DISHWASHER

- Designate L/R (right shown) on DWR
- Dishwasher Return has profiled filler
- Any DWR or DWR END with filler over 46 1/2" high will have vertical grain for horizontal Thermofoil and Textured Melamine

#### REFRIGERATOR

##### ★ Refrigerator Return filler:

- 1 1/2" wide for Wood;
- 2" wide for Thermofoil and Eurotek Jamestown and Philadelphia;
- 2 1/2" wide for Melamine, UltraLux and Laminate for Metal;
- 2 3/4" wide for Textured Melamine, and Eurotek Cape May, Clermont, and Lakehurst
- RFR filler is not available with profiled edge in Wood styles
- RFR filler will be vertical grain for horizontal Thermofoil and Textured Melamine
- RFR maximum height modification for Eurotek Cape May, Clermont and Lakehurst is 95"



## Appliance Returns

	Melamine	Eurotek	Textured Melamine	Standard Thermofoil	Premium Thermofoil	Wood	Laminate For Metal	UltraLux
--	----------	---------	-------------------	---------------------	--------------------	------	--------------------	----------

### Refrigerator Return

RFR84	341	370	397	397	1230	913	965	1071	1230
RFR87	358		412	412	1264	942	996	1117	1264
RFR90	375	399	426	426	1299	974	1030	1162	1299
RFR93	388		449	449	1349	1000	1057	1203	1349
RFR96	400	438	470	470	1396	1025	1084	1247	1396
RFR99						1102	1165		
RFR102						1235	1306		
RFR84-27	355		409	409	1258	938	992	1109	1258
RFR87-27	372		424	424	1294	967	1022	1155	1294
RFR90-27	389		439	439	1328	998	1055	1199	1328
RFR93-27	403		461	461	1377	1024	1083	1242	1377
RFR96-27	415		481	481	1427	1050	1110	1285	1427
RFR99-27						1129	1194		
RFR102-27						1263	1355		

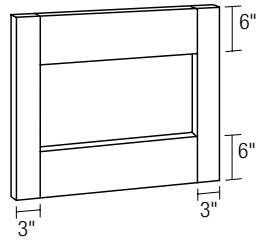
### Dishwasher Return

DWR	198	225	241	241	570	472	499	570	597
-----	-----	-----	-----	-----	-----	-----	-----	-----	-----

### Dishwasher Return End

DWR END	198	225	241	241	570	472	499	570	597
---------	-----	-----	-----	-----	-----	-----	-----	-----	-----

# Panels : Appliance Panels



- See page 15.11-15.14 for maximum openings
- Metal, Textured Melamine and Eurotek door styles are not available with Profiled Oven Panels

### Wood door styles:

- Panels for non-mitered door styles will have a matching edge profile
- Panels for mitered door styles will have the following edge profiles:

1/8" RADIUS	CRYSTAL LAKE	MARSHALL	CHARLOTTE MT. VERNON
	DENNISON	OAKLAND PARK	
AMHERST	FREEDOM	PERTH AMBOY	
BROADVIEW	FRISCO	PLYMOUTH	
BRUNSWICK	LAFAYETTE	SARASOTA	
GARNEGIE	LAKEWAY	WINCHESTER	
CHESAPEAKE	LIBERTY	YORK	
GORONA	LIVINGSTON		

- Wood Premium available in Walnut
- Not available in Deluxe Veneers, Richmond II or Slab

### Thermofoil door styles:

- Profiled Panels are slab-style with outer edge profiled to match the specified door style
- Thermofoil horizontal patterns and grains will run vertical on panels 46 1/2" high and greater

### UltraLux door styles:

- Coordinated UltraLux panel

## Profiled Oven Panels

	Textured Melamine	Standard Melamine	Premium Thermofoil	Wood Premium	Metal	UltraLux
--	-------------------	-------------------	--------------------	--------------	-------	----------

### Wall Microwave Profiled Panel

POVMW27		591	1095	195	207	
POVMW30		634	1172	247	261	

### Base Microwave Profiled Panel

POVMB271D		665	1229	267	282	
POVMB301D		709	1310	321	339	

### Base Oven Profiled Panel

POVB30		922	1707	352	372	
POVB33		966	1787	407	430	

### Tall Microwave Profiled Panel

POVMT27		720	1331	286	302	
POVMT30		763	1410	339	358	

### Tall Oven Profiled Panel

POV271D		1396	2584	558	590	
POV301D		1493	2763	585	618	
POV331D		1636	3027	635	671	
POV361D		1799	3328	698	738	
POVT27		1348	2492	536	567	
POVT30		1464	2708	580	613	
POVT33		1608	2975	640	677	
POVT36		1768	3271	703	743	
POV27FH		1541	2850	621	656	
POV30FH		1709	3161	671	709	
POV33FH		1882	3481	725	766	
POV36FH		2072	3831	799	845	

# Panels : Maximum Oven Openings

- 1/2" perimeter edge width after a maximum cutout.
- Profiled Oven Panels available; see page 15.10

## Maximum Oven Openings

Cabinet	Panel Size	Cut-Out Size	Frame Opening Size	Cabinet	Panel Size	Cut-Out Size	Frame Opening Size
<b>Microwave Wall Cabinet with Oven Panel</b>				<b>Base Microwave Cabinet</b>			
MW2730	26 7/8" w x 21" h	23 7/8" w x 18" h	20 7/8" w x 9" h	MWB27	26 7/8" w x 20" h	23 7/8" w x 17" h	20 7/8" w x 8" h
MW3030	29 7/8" w x 21" h	26 7/8" w x 18" h	23 7/8" w x 9" h	MWB30	29 7/8" w x 20" h	26 7/8" w x 17" h	23 7/8" w x 8" h
MW2733	26 7/8" w x 21" h	23 7/8" w x 18" h	20 7/8" w x 9" h				
MW3033	29 7/8" w x 21" h	26 7/8" w x 18" h	23 7/8" w x 9" h				
MW2736	26 7/8" w x 21" h	23 7/8" w x 18" h	20 7/8" w x 9" h				
MW3036	29 7/8" w x 21" h	26 7/8" w x 18" h	23 7/8" w x 9" h				
MW2739	26 7/8" w x 21" h	23 7/8" w x 18" h	20 7/8" w x 9" h				
MW3039	29 7/8" w x 21" h	26 7/8" w x 18" h	23 7/8" w x 9" h				
MW2742	26 7/8" w x 21" h	23 7/8" w x 18" h	20 7/8" w x 9" h				
MW3042	29 7/8" w x 21" h	26 7/8" w x 18" h	23 7/8" w x 9" h				
MW2745	26 7/8" w x 21" h	23 7/8" w x 18" h	20 7/8" w x 9" h				
MW3045	29 7/8" w x 21" h	26 7/8" w x 18" h	23 7/8" w x 9" h				
MW2748	26 7/8" w x 21" h	23 7/8" w x 18" h	20 7/8" w x 9" h				
MW3048	29 7/8" w x 21" h	26 7/8" w x 18" h	23 7/8" w x 9" h				

### Tall Microwave Cabinet w/ 2 Doors Below

MWT2784D	26 7/8" w x 21" h	23 7/8" w x 18" h	20 7/8" w x 9" h
MWT3084D	29 7/8" w x 21" h	26 7/8" w x 18" h	23 7/8" w x 9" h
MWT2787D	26 7/8" w x 21" h	23 7/8" w x 18" h	20 7/8" w x 9" h
MWT3087D	29 7/8" w x 21" h	26 7/8" w x 18" h	23 7/8" w x 9" h
MWT2790D	26 7/8" w x 21" h	23 7/8" w x 18" h	20 7/8" w x 9" h
MWT3090D	29 7/8" w x 21" h	26 7/8" w x 18" h	23 7/8" w x 9" h
MWT2793D	26 7/8" w x 21" h	23 7/8" w x 18" h	20 7/8" w x 9" h
MWT3093D	29 7/8" w x 21" h	26 7/8" w x 18" h	23 7/8" w x 9" h
MWT2796D	26 7/8" w x 21" h	23 7/8" w x 18" h	20 7/8" w x 9" h
MWT3096D	29 7/8" w x 21" h	26 7/8" w x 18" h	23 7/8" w x 9" h
MWT2799D	26 7/8" w x 21" h	23 7/8" w x 18" h	20 7/8" w x 9" h
MWT3099D	29 7/8" w x 21" h	26 7/8" w x 18" h	23 7/8" w x 9" h
MWT27102D	26 7/8" w x 21" h	23 7/8" w x 18" h	20 7/8" w x 9" h
MWT30102D	29 7/8" w x 21" h	26 7/8" w x 18" h	23 7/8" w x 9" h

### Tall Microwave Cabinet w/ 2 Drawers Below

MWT272D84	26 7/8" w x 21" h	23 7/8" w x 18" h	17 7/8" w x 9" h
MWT302D84	29 7/8" w x 21" h	26 7/8" w x 18" h	20 7/8" w x 9" h
MWT272D87	26 7/8" w x 21" h	23 7/8" w x 18" h	17 7/8" w x 9" h
MWT302D87	29 7/8" w x 21" h	26 7/8" w x 18" h	20 7/8" w x 9" h
MWT272D90	26 7/8" w x 21" h	23 7/8" w x 18" h	17 7/8" w x 9" h
MWT302D90	29 7/8" w x 21" h	26 7/8" w x 18" h	20 7/8" w x 9" h
MWT272D93	26 7/8" w x 21" h	23 7/8" w x 18" h	17 7/8" w x 9" h
MWT302D93	29 7/8" w x 21" h	26 7/8" w x 18" h	20 7/8" w x 9" h
MWT272D96	26 7/8" w x 21" h	23 7/8" w x 18" h	17 7/8" w x 9" h
MWT302D96	29 7/8" w x 21" h	26 7/8" w x 18" h	20 7/8" w x 9" h
MWT272D99	26 7/8" w x 21" h	23 7/8" w x 18" h	17 7/8" w x 9" h
MWT302D99	29 7/8" w x 21" h	26 7/8" w x 18" h	20 7/8" w x 9" h
MWT272D102	26 7/8" w x 21" h	23 7/8" w x 18" h	17 7/8" w x 9" h
MWT302D102	29 7/8" w x 21" h	26 7/8" w x 18" h	20 7/8" w x 9" h

### Tall Microwave Cabinet w/ 3 Drawers Below

MWT273D84	26 7/8" w x 21" h	23 7/8" w x 18" h	17 7/8" w x 9" h
MWT303D84	29 7/8" w x 21" h	26 7/8" w x 18" h	20 7/8" w x 9" h
MWT273D87	26 7/8" w x 21" h	23 7/8" w x 18" h	17 7/8" w x 9" h
MWT303D87	29 7/8" w x 21" h	26 7/8" w x 18" h	20 7/8" w x 9" h
MWT273D90	26 7/8" w x 21" h	23 7/8" w x 18" h	17 7/8" w x 9" h
MWT303D90	29 7/8" w x 21" h	26 7/8" w x 18" h	20 7/8" w x 9" h
MWT273D93	26 7/8" w x 21" h	23 7/8" w x 18" h	17 7/8" w x 9" h
MWT303D93	29 7/8" w x 21" h	26 7/8" w x 18" h	20 7/8" w x 9" h
MWT273D96	26 7/8" w x 21" h	23 7/8" w x 18" h	17 7/8" w x 9" h
MWT303D96	29 7/8" w x 21" h	26 7/8" w x 18" h	20 7/8" w x 9" h
MWT273D99	26 7/8" w x 21" h	23 7/8" w x 18" h	17 7/8" w x 9" h
MWT303D99	29 7/8" w x 21" h	26 7/8" w x 18" h	20 7/8" w x 9" h
MWT273D102	26 7/8" w x 21" h	23 7/8" w x 18" h	17 7/8" w x 9" h
MWT303D102	29 7/8" w x 21" h	26 7/8" w x 18" h	20 7/8" w x 9" h

### Tall Microwave Cabinet w/ 4 Drawers

MWT274D84	26 7/8" w x 21" h	23 7/8" w x 18" h	17 7/8" w x 9" h
MWT304D84	29 7/8" w x 21" h	26 7/8" w x 18" h	20 7/8" w x 9" h
MWT274D87	26 7/8" w x 21" h	23 7/8" w x 18" h	17 7/8" w x 9" h
MWT304D87	29 7/8" w x 21" h	26 7/8" w x 18" h	20 7/8" w x 9" h
MWT274D90	26 7/8" w x 21" h	23 7/8" w x 18" h	17 7/8" w x 9" h
MWT304D90	29 7/8" w x 21" h	26 7/8" w x 18" h	20 7/8" w x 9" h
MWT274D93	26 7/8" w x 21" h	23 7/8" w x 18" h	17 7/8" w x 9" h
MWT304D93	29 7/8" w x 21" h	26 7/8" w x 18" h	20 7/8" w x 9" h
MWT274D96	26 7/8" w x 21" h	23 7/8" w x 18" h	17 7/8" w x 9" h
MWT304D96	29 7/8" w x 21" h	26 7/8" w x 18" h	20 7/8" w x 9" h
MWT274D99	26 7/8" w x 21" h	23 7/8" w x 18" h	17 7/8" w x 9" h
MWT304D99	29 7/8" w x 21" h	26 7/8" w x 18" h	20 7/8" w x 9" h
MWT274D102	26 7/8" w x 21" h	23 7/8" w x 18" h	17 7/8" w x 9" h
MWT304D102	29 7/8" w x 21" h	26 7/8" w x 18" h	20 7/8" w x 9" h

# Panels : Maximum Oven Openings

- 1/2" perimeter edge width after a maximum cutout.
- Profiled Oven Panels available; see page 15.10

Maximum Oven Openings							
Cabinet	Panel Size	Cut-Out Size	Frame Opening Size	Cabinet	Panel Size	Cut-Out Size	Frame Opening Size
<b>Tall Oven Cabinet with Full-Height Panel</b>				<b>Tall Oven Cabinet with Four Doors</b>			
OV2784FH	267/8" w x 645/8" h	237/8" w x 615/8" h	207/8" w x 525/8" h	OV2784D	267/8" w x 343/8" h	237/8" w x 313/8" h	207/8" w x 223/8" h
OV3084FH	297/8" w x 645/8" h	267/8" w x 615/8" h	237/8" w x 525/8" h	OV3084D	297/8" w x 343/8" h	267/8" w x 313/8" h	237/8" w x 223/8" h
OV3384FH	327/8" w x 645/8" h	297/8" w x 615/8" h	267/8" w x 525/8" h	OV3384D	327/8" w x 343/8" h	297/8" w x 313/8" h	267/8" w x 223/8" h
OV3684FH	357/8" w x 645/8" h	327/8" w x 615/8" h	297/8" w x 525/8" h	OV3684D	357/8" w x 343/8" h	327/8" w x 313/8" h	297/8" w x 223/8" h
OV2787FH	267/8" w x 645/8" h	237/8" w x 615/8" h	207/8" w x 525/8" h	OV2787D	267/8" w x 343/8" h	237/8" w x 313/8" h	207/8" w x 223/8" h
OV3087FH	297/8" w x 645/8" h	267/8" w x 615/8" h	237/8" w x 525/8" h	OV3087D	297/8" w x 343/8" h	267/8" w x 313/8" h	237/8" w x 223/8" h
OV3387FH	327/8" w x 645/8" h	297/8" w x 615/8" h	267/8" w x 525/8" h	OV3387D	327/8" w x 343/8" h	297/8" w x 313/8" h	267/8" w x 223/8" h
OV3687FH	357/8" w x 645/8" h	327/8" w x 615/8" h	297/8" w x 525/8" h	OV3687D	357/8" w x 343/8" h	327/8" w x 313/8" h	297/8" w x 223/8" h
OV2790FH	267/8" w x 645/8" h	237/8" w x 615/8" h	207/8" w x 525/8" h	OV2790D	267/8" w x 343/8" h	237/8" w x 313/8" h	207/8" w x 223/8" h
OV3090FH	297/8" w x 645/8" h	267/8" w x 615/8" h	237/8" w x 525/8" h	OV3090D	297/8" w x 343/8" h	267/8" w x 313/8" h	237/8" w x 223/8" h
OV3390FH	327/8" w x 645/8" h	297/8" w x 615/8" h	267/8" w x 525/8" h	OV3390D	327/8" w x 343/8" h	297/8" w x 313/8" h	267/8" w x 223/8" h
OV3690FH	357/8" w x 645/8" h	327/8" w x 615/8" h	297/8" w x 525/8" h	OV3690D	357/8" w x 343/8" h	327/8" w x 313/8" h	297/8" w x 223/8" h
OV2793FH	267/8" w x 645/8" h	237/8" w x 615/8" h	207/8" w x 525/8" h	OV2793D	267/8" w x 343/8" h	237/8" w x 313/8" h	207/8" w x 223/8" h
OV3093FH	297/8" w x 645/8" h	267/8" w x 615/8" h	237/8" w x 525/8" h	OV3093D	297/8" w x 343/8" h	67/8" w x 313/8" h	237/8" w x 223/8" h
OV3393FH	327/8" w x 645/8" h	297/8" w x 615/8" h	267/8" w x 525/8" h	OV3393D	327/8" w x 343/8" h	297/8" w x 313/8" h	267/8" w x 223/8" h
OV3693FH	357/8" w x 645/8" h	327/8" w x 615/8" h	297/8" w x 525/8" h	OV3693D	357/8" w x 343/8" h	327/8" w x 313/8" h	297/8" w x 223/8" h
OV2796FH	267/8" w x 645/8" h	237/8" w x 615/8" h	207/8" w x 525/8" h	OV2796D	267/8" w x 343/8" h	237/8" w x 313/8" h	207/8" w x 223/8" h
OV3096FH	297/8" w x 645/8" h	267/8" w x 615/8" h	237/8" w x 525/8" h	OV3096D	297/8" w x 343/8" h	267/8" w x 313/8" h	237/8" w x 223/8" h
OV3396FH	327/8" w x 645/8" h	297/8" w x 615/8" h	267/8" w x 525/8" h	OV3396D	327/8" w x 343/8" h	297/8" w x 313/8" h	267/8" w x 223/8" h
OV3696FH	357/8" w x 645/8" h	327/8" w x 615/8" h	297/8" w x 525/8" h	OV3696D	357/8" w x 343/8" h	327/8" w x 313/8" h	297/8" w x 223/8" h
OV2799FH	267/8" w x 645/8" h	237/8" w x 615/8" h	207/8" w x 525/8" h	OV2799D	267/8" w x 343/8" h	237/8" w x 313/8" h	207/8" w x 223/8" h
OV3099FH	297/8" w x 645/8" h	267/8" w x 615/8" h	237/8" w x 525/8" h	OV3099D	297/8" w x 343/8" h	267/8" w x 313/8" h	237/8" w x 223/8" h
OV3399FH	327/8" w x 645/8" h	297/8" w x 615/8" h	267/8" w x 525/8" h	OV3399D	327/8" w x 343/8" h	297/8" w x 313/8" h	267/8" w x 223/8" h
OV3699FH	357/8" w x 645/8" h	327/8" w x 615/8" h	297/8" w x 525/8" h	OV3699D	357/8" w x 343/8" h	327/8" w x 313/8" h	297/8" w x 223/8" h
OV27102FH	267/8" w x 645/8" h	237/8" w x 615/8" h	207/8" w x 525/8" h	OV27102D	267/8" w x 343/8" h	237/8" w x 313/8" h	207/8" w x 223/8" h
OV30102FH	297/8" w x 645/8" h	267/8" w x 615/8" h	237/8" w x 525/8" h	OV30102D	297/8" w x 343/8" h	267/8" w x 313/8" h	237/8" w x 223/8" h
OV33102FH	327/8" w x 645/8" h	297/8" w x 615/8" h	267/8" w x 525/8" h	OV33102D	327/8" w x 343/8" h	297/8" w x 313/8" h	267/8" w x 223/8" h
OV36102FH	357/8" w x 645/8" h	327/8" w x 615/8" h	297/8" w x 525/8" h	OV36102D	357/8" w x 343/8" h	327/8" w x 313/8" h	297/8" w x 223/8" h

# Panels : Maximum Oven Openings

- 1/2" perimeter edge width after a maximum cutout.
- Profiled Oven Panels available; see page 15.10

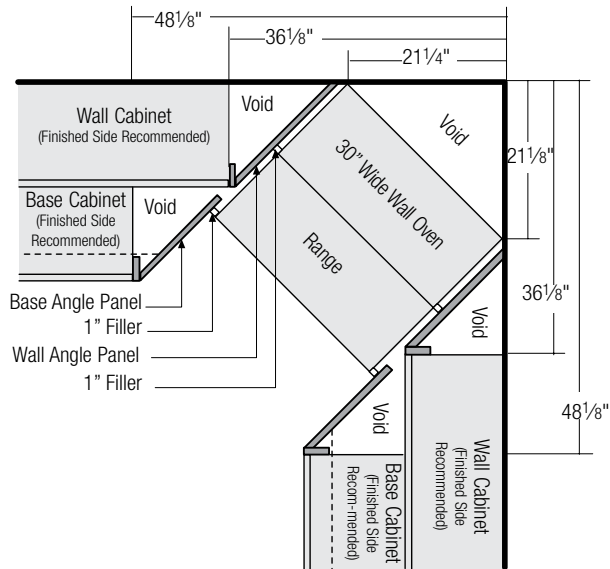
Maximum Oven Openings							
Cabinet	Panel Size	Cut-Out Size	Frame Opening Size	Cabinet	Panel Size	Cut-Out Size	Frame Opening Size
<b>Tall Oven Cabinet with One Drawer</b>				<b>Tall Oven Cabinet with Two Drawers</b>			
OV271D84	267/8" w x 555/8" h	237/8" w x 521/2" h	207/8" w x 435/8" h	OV272D84	267/8" w x 343/8" h	237/8" w x 313/8" h	207/8" w x 223/8" h
OV301D84	297/8" w x 555/8" h	267/8" w x 521/2" h	237/8" w x 435/8" h	OV302D84	297/8" w x 343/8" h	267/8" w x 313/8" h	237/8" w x 223/8" h
OV331D84	327/8" w x 555/8" h	297/8" w x 521/2" h	267/8" w x 435/8" h	OV332D84	327/8" w x 343/8" h	297/8" w x 313/8" h	267/8" w x 223/8" h
OV361D84	357/8" w x 555/8" h	327/8" w x 521/2" h	297/8" w x 435/8" h	OV362D84	357/8" w x 343/8" h	327/8" w x 313/8" h	297/8" w x 223/8" h
OV271D87	267/8" w x 555/8" h	237/8" w x 521/2" h	207/8" w x 435/8" h	OV272D87	267/8" w x 343/8" h	237/8" w x 313/8" h	207/8" w x 223/8" h
OV301D87	297/8" w x 555/8" h	267/8" w x 521/2" h	237/8" w x 435/8" h	OV302D87	297/8" w x 343/8" h	267/8" w x 313/8" h	237/8" w x 223/8" h
OV331D87	327/8" w x 555/8" h	297/8" w x 521/2" h	267/8" w x 435/8" h	OV332D87	327/8" w x 343/8" h	297/8" w x 313/8" h	267/8" w x 223/8" h
OV361D87	357/8" w x 555/8" h	327/8" w x 521/2" h	297/8" w x 435/8" h	OV362D87	357/8" w x 343/8" h	327/8" w x 313/8" h	297/8" w x 223/8" h
OV271D90	267/8" w x 555/8" h	237/8" w x 521/2" h	207/8" w x 435/8" h	OV272D90	267/8" w x 343/8" h	237/8" w x 313/8" h	207/8" w x 223/8" h
OV301D90	297/8" w x 555/8" h	267/8" w x 521/2" h	237/8" w x 435/8" h	OV302D90	297/8" w x 343/8" h	267/8" w x 313/8" h	237/8" w x 223/8" h
OV331D90	327/8" w x 555/8" h	297/8" w x 521/2" h	267/8" w x 435/8" h	OV332D90	327/8" w x 343/8" h	297/8" w x 313/8" h	267/8" w x 223/8" h
OV361D90	357/8" w x 555/8" h	327/8" w x 521/2" h	297/8" w x 435/8" h	OV362D90	357/8" w x 343/8" h	327/8" w x 313/8" h	297/8" w x 223/8" h
OV271D93	267/8" w x 555/8" h	237/8" w x 521/2" h	207/8" w x 435/8" h	OV272D93	267/8" w x 343/8" h	237/8" w x 313/8" h	207/8" w x 223/8" h
OV301D93	297/8" w x 555/8" h	267/8" w x 521/2" h	237/8" w x 435/8" h	OV302D93	297/8" w x 343/8" h	267/8" w x 313/8" h	237/8" w x 223/8" h
OV331D93	327/8" w x 555/8" h	297/8" w x 521/2" h	267/8" w x 435/8" h	OV332D93	327/8" w x 343/8" h	297/8" w x 313/8" h	267/8" w x 223/8" h
OV361D93	357/8" w x 555/8" h	327/8" w x 521/2" h	297/8" w x 435/8" h	OV362D93	357/8" w x 343/8" h	327/8" w x 313/8" h	297/8" w x 223/8" h
OV271D96	267/8" w x 555/8" h	237/8" w x 521/2" h	207/8" w x 435/8" h	OV272D96	267/8" w x 343/8" h	237/8" w x 313/8" h	207/8" w x 223/8" h
OV301D96	297/8" w x 555/8" h	267/8" w x 521/2" h	237/8" w x 435/8" h	OV302D96	297/8" w x 343/8" h	267/8" w x 313/8" h	237/8" w x 223/8" h
OV331D96	327/8" w x 555/8" h	297/8" w x 521/2" h	267/8" w x 435/8" h	OV332D96	327/8" w x 343/8" h	297/8" w x 313/8" h	267/8" w x 223/8" h
OV361D96	357/8" w x 555/8" h	327/8" w x 521/2" h	297/8" w x 435/8" h	OV362D96	357/8" w x 343/8" h	327/8" w x 313/8" h	297/8" w x 223/8" h
OV271D99	267/8" w x 555/8" h	237/8" w x 521/2" h	207/8" w x 435/8" h	OV272D99	267/8" w x 343/8" h	237/8" w x 313/8" h	207/8" w x 223/8" h
OV301D99	297/8" w x 555/8" h	267/8" w x 521/2" h	237/8" w x 435/8" h	OV302D99	297/8" w x 343/8" h	267/8" w x 313/8" h	237/8" w x 223/8" h
OV331D99	327/8" w x 555/8" h	297/8" w x 521/2" h	267/8" w x 435/8" h	OV332D99	327/8" w x 343/8" h	297/8" w x 313/8" h	267/8" w x 223/8" h
OV361D99	357/8" w x 555/8" h	327/8" w x 521/2" h	297/8" w x 435/8" h	OV362D99	357/8" w x 343/8" h	327/8" w x 313/8" h	297/8" w x 223/8" h
OV271D102	267/8" w x 555/8" h	237/8" w x 521/2" h	207/8" w x 435/8" h	OV272D102	267/8" w x 343/8" h	237/8" w x 313/8" h	207/8" w x 223/8" h
OV301D102	297/8" w x 555/8" h	267/8" w x 521/2" h	237/8" w x 435/8" h	OV302D102	297/8" w x 343/8" h	267/8" w x 313/8" h	237/8" w x 223/8" h
OV331D102	327/8" w x 555/8" h	297/8" w x 521/2" h	267/8" w x 435/8" h	OV332D102	327/8" w x 343/8" h	297/8" w x 313/8" h	267/8" w x 223/8" h
OV361D102	357/8" w x 555/8" h	327/8" w x 521/2" h	297/8" w x 435/8" h	OV362D102	357/8" w x 343/8" h	327/8" w x 313/8" h	297/8" w x 223/8" h



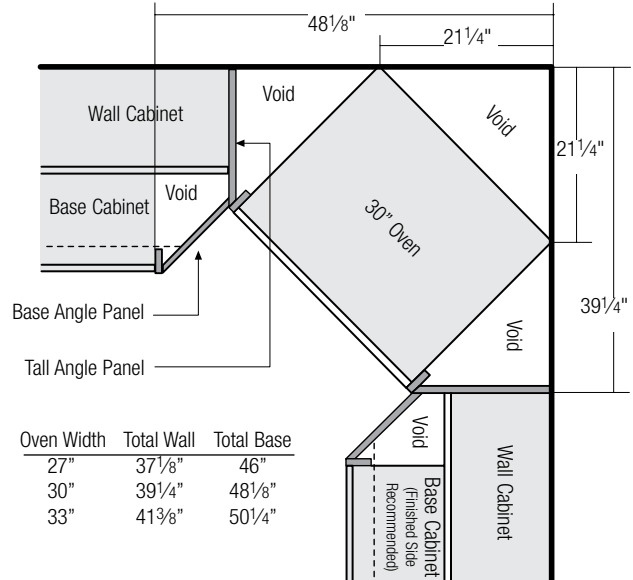


# Panels : Angled Panels

## Angled Panel Installation Detail



Typical Application  
Wall and Base Angle Panel



Typical Application  
Base and Tall Angle Panel

Oven Width	Total Wall	Total Base
27"	37 1/8"	46"
30"	39 1/4"	48 1/8"
33"	41 3/8"	50 1/4"

## Angled Panels for 45° Installations

	Melamine Textured	Melamine Eurotek	Melamine For Standard	Premium Thermofoil	Wood Veneer	Wood Veneer Premium	Laminate For Metal	UltraLux
--	-------------------	------------------	-----------------------	--------------------	-------------	---------------------	--------------------	----------

### Wall Angled Panel

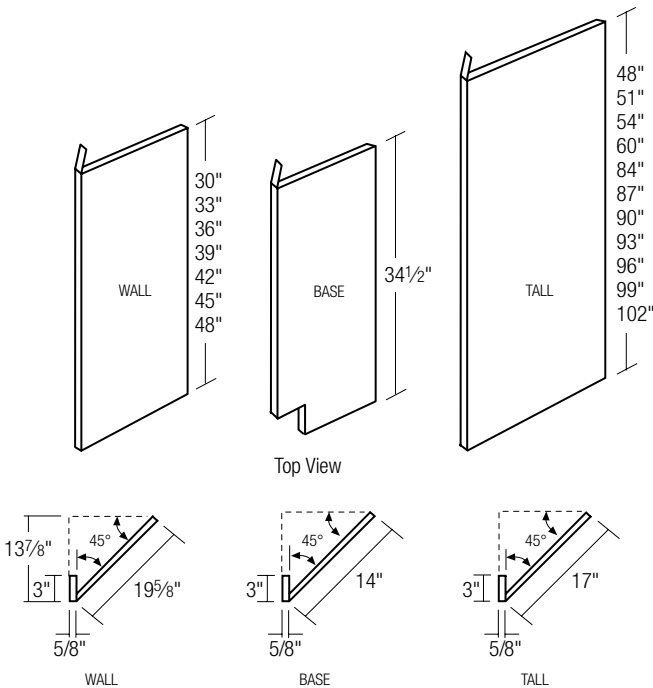
WAP30	152	152	182	182	400	418	442	400	400
WAP33	161	161	193	193	421	447	473	421	421
WAP36	171	171	205	205	442	476	503	442	442
WAP39	183	183	220	220	464	504	533	464	464
WAP42	190	190	228	228	483	533	563	483	483
WAP45	197	197	236	236	503	562	594	503	503
WAP48	205	205	246	246	523	591	625	523	523

### Base Angled Panel

BAP	113	113	136	136		309	327		
-----	-----	-----	-----	-----	--	-----	-----	--	--

### Tall Angled Panel

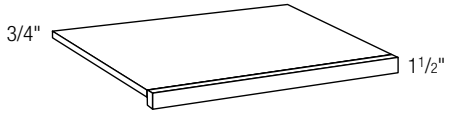
TAP48	152	152	182	182	532	569	602	400	532
TAP51	162	162	194	194	563	603	637	421	563
TAP54	171	171	205	205	593	636	672	442	593
TAP60	190	190	228	228	662	692	732	483	662
TAP84	268	268	322	322	921	746	789	684	921
TAP87	277	277	332	332	956	774	818	708	956
TAP90	286	286	343	343	989	801	847	731	989
TAP93	294	294	353	353	1019	827	874	755	1019
TAP96	304	304	365	365	1050	854	903	778	1050
TAP99						881	931		
TAP102						952	1006		



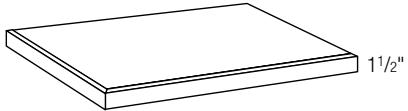
- Wall Angled Panel is reversible
- Designate L/R (left shown) on Base panel
- 48", 54" and 60" high Tall Angled Panels sit on adjacent countertop
- Grain will follow direction of Finished Ends
- Wood Premium available in Walnut

# Panels : Veneer Wood Top

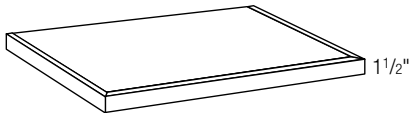
Wood Top 1  
Only the front long edge is finished.



Wood Top 2  
Front long edge and one short end is finished.



Wood Top 3  
Front long edge and both short ends are finished.



## Veneer Wood Top

	Melamine	Eurotek	Textured Melamine	Standard Thermofoil	Premium Thermofoil	Wood	Wood Premium	Metal	UltraLux
--	----------	---------	-------------------	---------------------	--------------------	------	--------------	-------	----------

**Wood Top 1**  
WOODTOP1XXYY

73 77

**Wood Top 2**  
WOODTOP2XXYY

83 88

**Wood Top 3**  
WOODTOP3XXYY

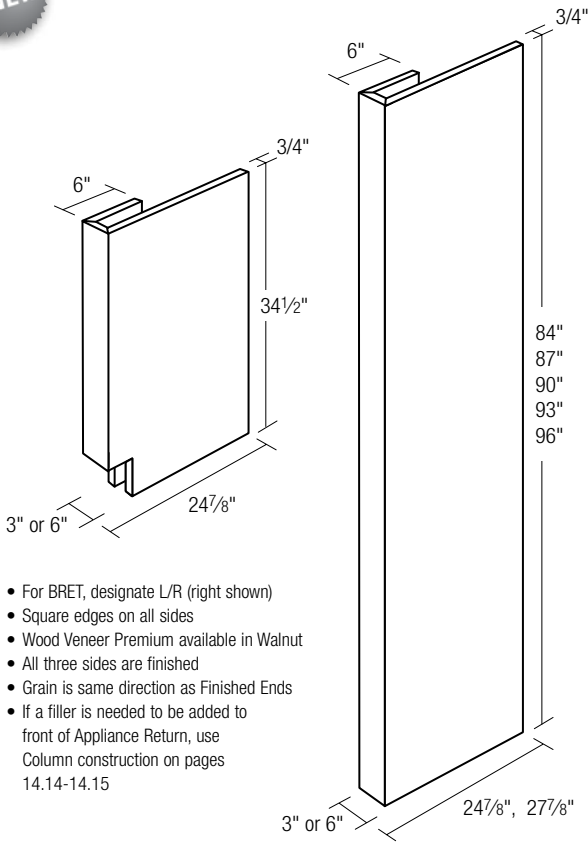
94 99

PRICING IS PER SQUARE FOOT. XX = WIDTH YY = DEPTH

- Wood Premium available in Walnut
- Not available in Deluxe Veneer
- Max size is 48" x 96" including applied 3/4" trim
- Min size is 18" wide by 18" deep
- Pricing is per square foot
- Similar to Open Shelves; choose number of finished sides: 1, 2, or 3.
- Top is 3/4" veneer with 3/4" bracing underneath for support on top of cabinets
- Choose 3/4"x1 1/2" Edge Profile: RO, RV, RS, OG, CV, RL or RR



# Panels : Appliance Panels



- For BRET, designate L/R (right shown)
- Square edges on all sides
- Wood Veneer Premium available in Walnut
- All three sides are finished
- Grain is same direction as Finished Ends
- If a filler is needed to be added to front of Appliance Return, use Column construction on pages 14.14-14.15

## Appliance Panel with 6" Return

	Melamine	Eurotek	Textured Melamine	Standard Thermofoil	Premium Thermofoil	Wood Veneer	Wood Veneer Premium	Laminate For Metal	UltraLux
--	----------	---------	-------------------	---------------------	--------------------	-------------	---------------------	--------------------	----------

### Base Panel 3" wide, 24" deep

BRET324	250	282	301	301	696	578	611	696	728
---------	-----	-----	-----	-----	-----	-----	-----	-----	-----

### Base Panel 6" wide, 24" deep

BRET624	291	326	347	347	776	648	683	776	811
---------	-----	-----	-----	-----	-----	-----	-----	-----	-----

### Tall Panel 3" wide, 24" deep

TRET38424	467	503	537	537	1578	1182	1247	1380	1578
TRET38724	488	521	556	556	1621	1218	1286	1437	1621
TRET39024	510	540	573	573	1665	1258	1328	1493	1665
TRET39324	526	564	602	602	1727	1291	1362	1545	1727
TRET39624	541	588	628	628	1786	1322	1396	1600	1786

### Tall Panel 6" wide, 24" deep

TRET68424	590	631	670	670	1846	1399	1472	1622	1846
TRET68724	614	652	691	691	1895	1440	1516	1687	1895
TRET69024	639	672	711	711	1944	1485	1564	1750	1944
TRET69324	657	700	743	743	2015	1522	1602	1808	2015
TRET69624	674	728	773	773	2081	1557	1640	1871	2081

### Tall Panel 3" wide, 27" deep

TRET38427	507	544	579	579	1664	1251	1319	1457	1664
TRET38727	529	563	599	599	1708	1289	1359	1517	1708
TRET39027	551	582	617	617	1754	1331	1404	1576	1754
TRET39327	568	607	647	647	1819	1365	1439	1629	1819
TRET39627	583	633	675	675	1880	1397	1474	1686	1880

### Tall Panel 6" wide, 27" deep

TRET68427	635	678	717	717	1943	1477	1553	1709	1943
TRET68727	660	699	740	740	1993	1520	1599	1777	1993
TRET69027	685	720	760	760	2045	1567	1649	1843	2045
TRET69327	704	749	794	794	2119	1605	1689	1904	2119
TRET69627	722	778	825	825	2188	1642	1729	1968	2188

# Table of Contents – Mouldings

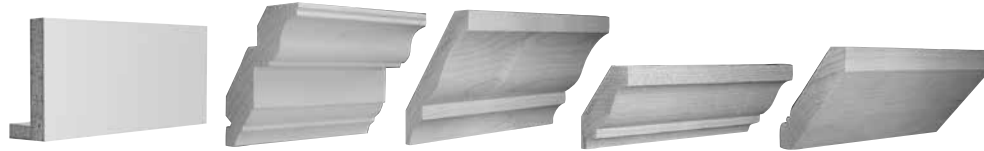
Click on any item to jump to that item's first page.

## Crown Mouldings



Crown Mouldings  
sku ex: CROWNOLDS, CROWN2S, SHKRCROWN, CROWN85023, STRTCRWNCST

Radius Crown Mouldings  
sku ex: CROWNRADST10

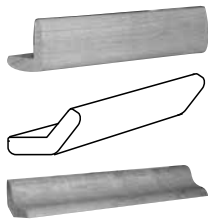


Subrail  
sku ex: 6" SUBRL, CRWN2-SUB, CMD-SUBRL, MEDCROWN, SKCRN-SUB



Subrail  
sku ex: CONVEXCRWN, COVE-SUB, COVEPLNLG, CLEAT

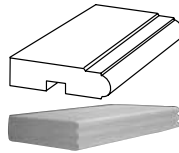
## Trim Mouldings



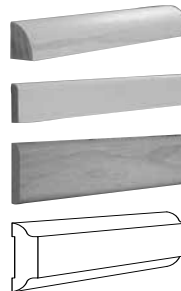
Corner Mouldings  
sku ex: OUTCNRS, OC135MLD, INSCNR



Countertop Edging  
sku ex: CE-OGEE, CE-BULL



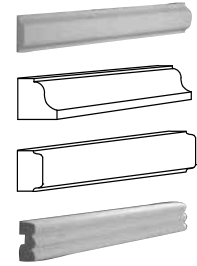
Moulding  
sku ex: BULLMOLD, TRBDPLAS



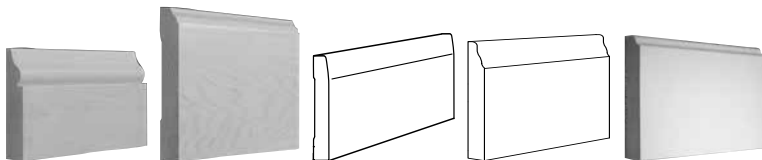
Trim Mouldings  
sku ex: SHOEMOLD, SCRIBE, BATMOLD, BATTEN1406



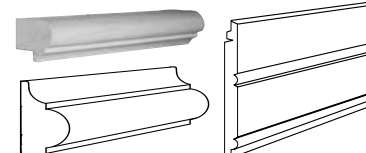
Trim Mouldings  
sku ex: CASING, FRAMESTCK610



Shelf Edging  
sku ex: SHELFEDG, SE-OGEE, SE-FLATBEAD, TRIPEDG



Base Moulding  
sku ex: BASEMOLD, TBASEMOLD, CVEXBASEMLD, BASE8409, BASEMLDCST



Panel Mouldings  
sku ex: WNSCOTCAP, ASTRAGAL, BEADMOLD

## Ornamental Trim

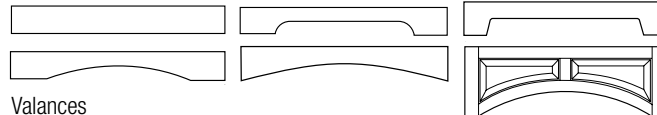


Mirror Trim  
sku ex: PFRAMEMOLD



Plinth  
sku ex: 3" PLINTH

## Valances



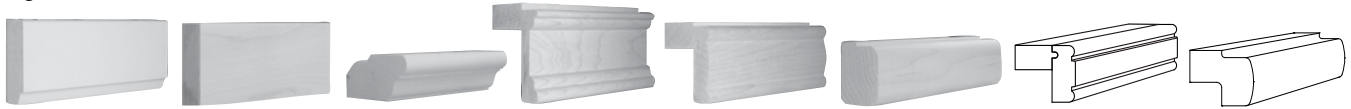
Valances  
sku ex: VAL30, ARCHVAL30, MISSVAL30, LNGACHVAL30, TRANSVAL30, ARCHPVAL

*continued >>>*

# Table of Contents – Mouldings

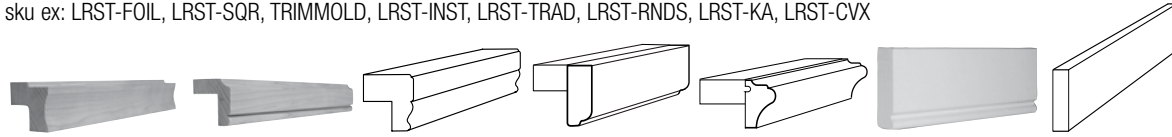
Click on any item to jump to that item's first page.

## Light Rails



Light Rails

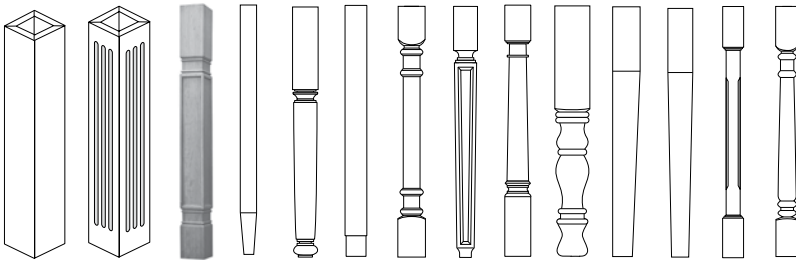
sku ex: LRST-FOIL, LRST-SQR, TRIMMOLD, LRST-INST, LRST-TRAD, LRST-RNDS, LRST-KA, LRST-CVX



Light Rails

sku ex: LRST-CONCV, LRST-SNGBD, LRST-BRK, LRST-CST, LRST-BOT, BEADLTRL, STRTLRLAM

## Legs



Legs

sku ex: POST3, POSTFL3, ISLEGAT, ISLESQTAPFT2, ISLEEST3.75, ISLESQRSLV3, ISLEASTER3.5, ISLEMIS3, ISLEPAL3.5, ISLEENG5, ISLELT2S3.75, ISLELT4S3.75, ISLEMET3, BARDBLSQR3.5

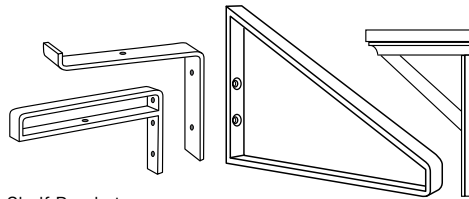
## Feet



Feet

sku ex: TAPERLEG, BUNFOOT322, ITALFOOT3, ELEG10

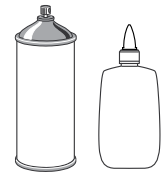
## Decorative Shelf Brackets



Shelf Brackets

sku ex: ISB8.5WI, ILB12.75WI, MCB12GM, BRKTA&C11.5

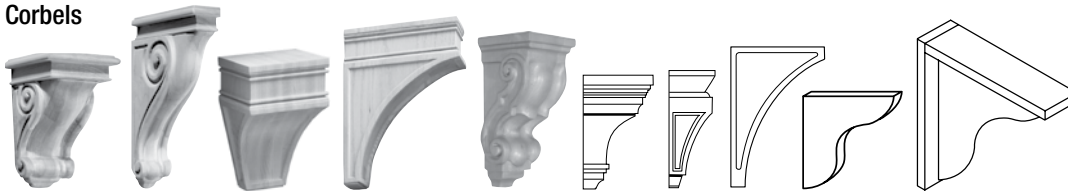
## Joint Cement



Mitrebond Joint Cement

sku ex: MITREBOND

## Corbels



Corbels

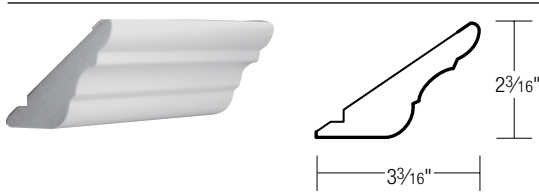
sku ex: WTCORBL, NTCORBL, WATCORBL, NATCORBL, STANCRBL, CRBLART9, CRBLMIS9, TEMPCORBL12, CORBEL, CTSUPP8

<<< *continued*

# Mouldings : Crown Mouldings

## FOR ALL MOULDINGS

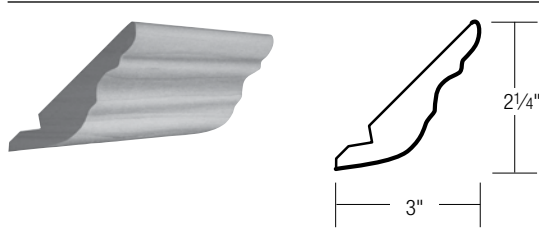
- The ends of mouldings are not finished and should be trimmed prior to installation
- Mouldings specified as "8' lengths" have a usable length of 93" - 99" (if shipped via Fed Ex, 8' moulding will be trimmed to 95"); mouldings specified as "10' lengths" have a usable length of 117" - 123"
- We recommend ordering extra moulding length to minimize butt joints



### Crown Moulding

	Melamine	Eurotek	Textured Melamine	Standard Thermofoil	Premium Thermofoil	Wood Veneer	Solid Wood	Solid Wood Premium	Laminate For Metal	UltraLux
CROWNMLD				181	195					

- Available in 8' lengths



### Crown Moulding

	Melamine	Eurotek	Textured Melamine	Standard Thermofoil	Premium Thermofoil	Wood Veneer	Solid Wood	Solid Wood Premium	Laminate For Metal	UltraLux
CROWNMLDS								176		

- Available in 8' lengths
- Solid Wood available in Oak, Maple, Cherry, Red Birch and Alder
- Not available in Deluxe Veneers or Solid Wood Premium Walnut



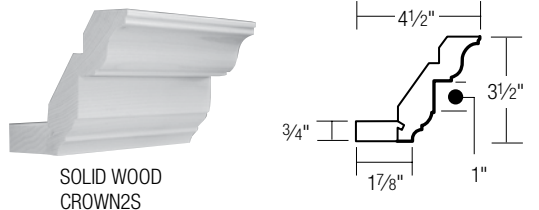
### Crown Moulding

	Melamine	Eurotek	Textured Melamine	Standard Thermofoil	Premium Thermofoil	Wood Veneer	Solid Wood	Solid Wood Premium	Laminate For Metal	UltraLux
CROWN2				123	190					
CROWN2S								329		

This Ornamental Trim fits in the flat area of Crown Moulding CROWN2 in Thermofoil; see page 16-17 for more details.



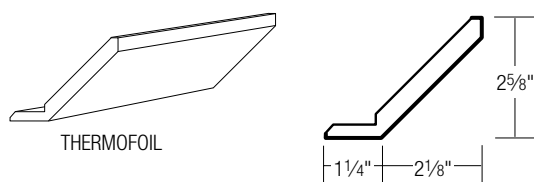
SMALL EGG & DART TRIM



These Ornamental Trims fit in the flat area of Crown Moulding CROWN2S in Solid Wood; see pages 16-17 for more details.



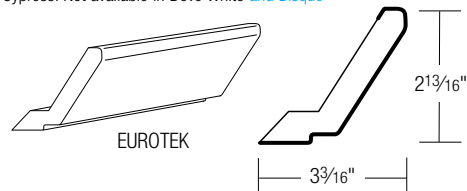
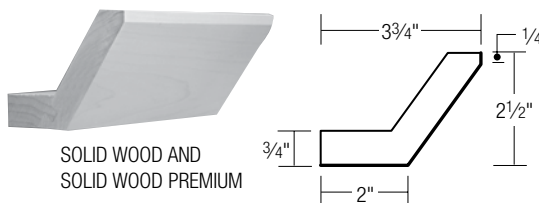
- Available in 8' lengths
- Solid Wood available in Oak, Maple and Cherry
- Not available in Deluxe Veneers or Solid Wood Premium Walnut



### Shaker Crown Moulding

	Melamine	Eurotek	Textured Melamine	Standard Thermofoil	Premium Thermofoil	Wood Veneer	Solid Wood	Solid Wood Premium	Laminate For Metal	UltraLux
SHKRCROWN				198	240			249	381	
SHKRCRWNHL		130								

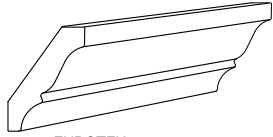
- Available in 8' lengths
- Solid Wood available in Oak, Maple, Cherry, Red Birch and Alder
- Solid Wood Premium available in Walnut
- Not available in Deluxe Veneers
- Eurotek available in Alabaster, Bright White, Espresso, Grey Mist, Grey Opal and White Cypress. Not available in Dove White and Bisque



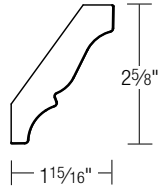
# Mouldings : Crown Mouldings

## FOR ALL MOULDINGS

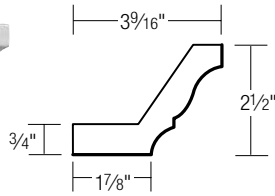
- The ends of mouldings are not finished and should be trimmed prior to installation
- Mouldings specified as "8' lengths" have a usable length of 93" - 99" (if shipped via Fed Ex, 8' moulding will be trimmed to 95"); mouldings specified as "10' lengths" have a usable length of 117" - 123"
- We recommend ordering extra moulding length to minimize butt joints



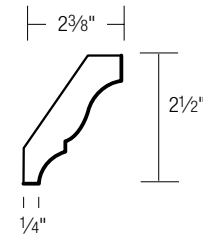
EUROTEK  
CROWNRADST (8' length)



SOLID WOOD  
CROWNRADST (8' length)  
CROWNRADST10 (10' length)



SOLID WOOD  
CROWNRADST-SUB (8' length)



## Radius Crown Moulding

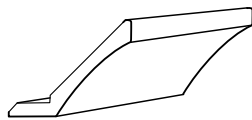
	Textured Melamine	Standard Melamine	Premium Melamine	Wood Veneer	Solid Wood	Solid Wood Premium	Laminate For Metal	UltraLux
CROWNADST			123					234
CROWNADST10								343
CROWNADST-SUB								174

- Eurotek available in [Bisque](#) and [Dove White](#) finishes
- Solid Wood available in Oak, Maple, Cherry, Red Birch and Alder
- Not available in Deluxe Veneers or Solid Wood Premium Walnut

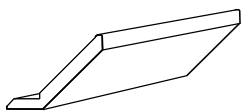
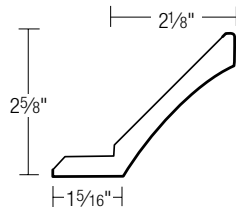
## Cove Crown Moulding

	Textured Melamine	Standard Melamine	Premium Melamine	Wood Veneer	Solid Wood	Solid Wood Premium	Laminate For Metal	UltraLux
CROWN85023			132					

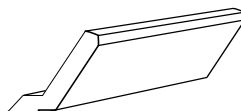
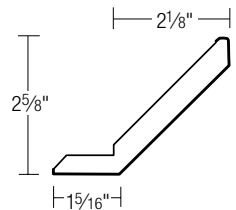
- Available in 8' lengths
- CROWN85023 available in Eurotek [Bisque](#) and [Dove White](#); not available in Alabaster, Bright White, Espresso, Grey Mist, Grey Opal and White Cypress finishes.



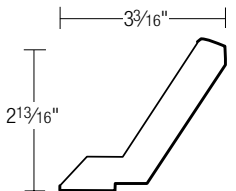
CROWN85023



CROWN85024  
(96" length)



STRTCRWNCST  
(107" length)



## Straight Crown Moulding

	Textured Melamine	Standard Melamine	Premium Melamine	Wood Veneer	Solid Wood	Solid Wood Premium	Laminate For Metal	UltraLux
CROWN85024			132					
STRTCRWNCST			129					

- CROWN85024 available in Eurotek [Bisque](#) and [Dove White](#) finishes
- STRTCRWNCST available in Eurotek Alabaster, Bright White, Espresso, Grey Mist, Grey Opal, and White Cypress finishes



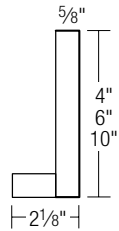
# Mouldings : Subrail Crown Mouldings

## FOR ALL MOULDINGS

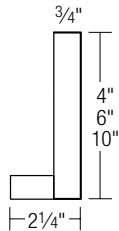
- The ends of mouldings are not finished and should be trimmed prior to installation
- Mouldings specified as "8' lengths" have a usable length of 93" - 99" (if shipped via Fed Ex, 8' moulding will be trimmed to 95"); mouldings specified as "10' lengths" have a usable length of 117" - 123"
- We recommend ordering extra moulding length to minimize butt joints



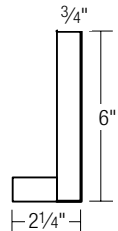
FINISHED CLEAT  
FACE



MELAMINE  
TEXTURED MELAMINE  
WOOD VENEER  
ULTRALUX



THERMOFOIL LAMINATE

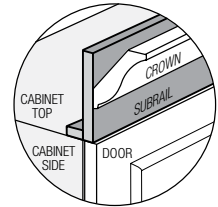


EUROTEK

## Subrail

	Melamine	Eurotek	Textured Melamine	Standard Thermofoil	Premium Thermofoil	Wood Veneer	Solid Wood	Solid Wood Premium	Laminate For Metal	UltraLux
4" SUBRL	90		108	108	310	149			351	527
6" SUBRL	108	108	130	130	437	170			536	803
6" SUBRLCST		172								
10" SUBRL	143		172	172	691	214			790	1184

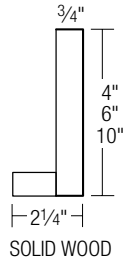
- Eurotek Alabaster, Bright White, Espresso, Grey Mist, Grey Opal, and White Cypress finishes available in 95" lengths; **Bisque and Dove White** finishes available in 95 1/2" lengths
- Can be applied with or without crown moulding (CMD-SUBRL)
- All styles square edge
- Install on top of cabinet with seam between Subrail cleat and face flush with front edge of cabinet box
- Wood Veneer cannot be distressed
- **Ships in two pieces for easier trimming and installation**



SUBRAIL AND CROWN MOULDING APPLICATION



FINISHED CLEAT  
FACE  
THIS EDGE AVAILABLE WITH OPTIONAL PROFILE

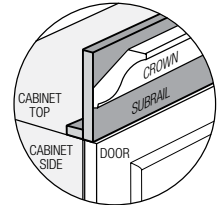


SOLID WOOD

## Solid Wood Subrail with Profile

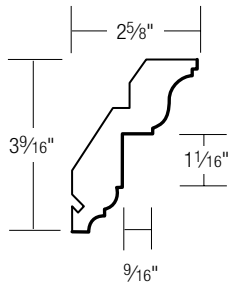
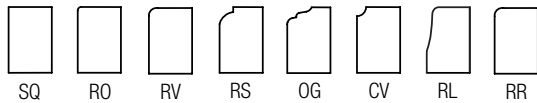
	Melamine	Eurotek	Textured Melamine	Standard Thermofoil	Premium Thermofoil	Wood Veneer	Solid Wood	Solid Wood Premium	Laminate For Metal	UltraLux
4" SUBRLS							197	256		
6" SUBRLS							236	307		

- Available in 95 1/2" lengths
- Can be applied with or without crown moulding (CMD-SUBRL)
- Install on top of cabinet with seam between Subrail cleat and face flush with front edge of cabinet box
- Not available in Deluxe Veneer
- Only the Subrail face is solid wood; cleat is not solid wood
- **Ships in two pieces for easier trimming and installation**



SUBRAIL AND CROWN MOULDING APPLICATION

## AVAILABLE EDGE PROFILES



- Available in 8' lengths
- Can only be used with Subrail
- Solid Wood available in Oak, Maple and Cherry
- Not available in Deluxe Veneers or Solid Wood Premium Walnut

## Subrail Crown 2 Moulding

	Melamine	Eurotek	Textured Melamine	Standard Thermofoil	Premium Thermofoil	Wood Veneer	Solid Wood	Solid Wood Premium	Laminate For Metal	UltraLux
CRWN2-SUB									258	

These Ornamental Trims fit in the flat area of Crown Moulding CRWN2-SUB; see page 16-17 for more details:



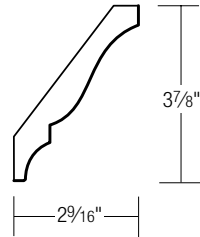
# Mouldings : Subrail Crown Mouldings

## FOR ALL MOULDINGS

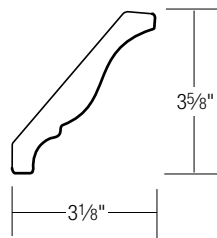
- The ends of mouldings are not finished and should be trimmed prior to installation
- Mouldings specified as "8' lengths" have a usable length of 93" - 99" (if shipped via Fed Ex, 8' moulding will be trimmed to 95"); mouldings specified as "10' lengths" have a usable length of 117" - 123"
- We recommend ordering extra moulding length to minimize butt joints



EUROTEK  
CMD-SUBRL (8' lengths)



THERMOFOIL  
CMD-SUBRL (8' lengths)



## Subrail Crown Moulding

	Melamine	Eurotek	Textured Melamine	Standard Thermofoil	Premium Thermofoil	Wood Veneer	Solid Wood	Solid Wood Premium	Laminate For Metal	UltraLux
CMD-SUBRL		123		123	218		179	259		
CMD-SUBRL10							269			

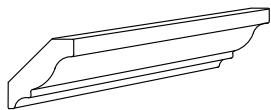
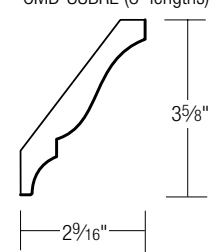
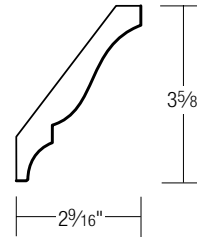
- Can only be used with Subrail
- Use 10' Framestock as subrail material
- Eurotek available in [Bisque](#) and [Dove White](#); not available in Alabaster, Bright White, Espresso, Grey Mist, Grey Opal and White Cypress finishes
- Solid Wood available in Oak, Maple, Cherry, Red Birch, Alder, and Bamboo
- Solid Wood Premium available in Walnut



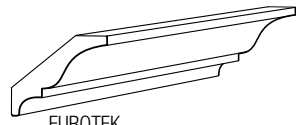
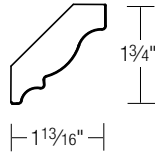
PREMIUM SOLID WOOD  
CMD-SUBRL (8' lengths)



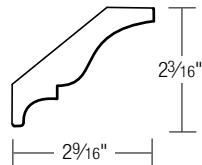
SOLID WOOD  
CMD-SUBRL (8' lengths)  
CMD-SUBRL10 (10' lengths)



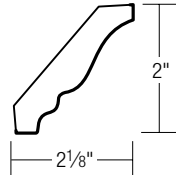
EUROTEK  
MEDCROWN (8' lengths)  
[BISQUE](#) and [DOVE WHITE](#)



EUROTEK  
MEDCRWNCST (107" lengths)  
GREY MIST, GREY OPAL, WHITE CYPRESS,  
ALABASTER, BRIGHT WHITE, ESPRESSO



THERMOFOIL  
MEDCROWN (8' lengths)



## Subrail Medium Crown Moulding

	Melamine	Eurotek	Textured Melamine	Standard Thermofoil	Premium Thermofoil	Wood Veneer	Solid Wood	Solid Wood Premium	Laminate For Metal	UltraLux
MEDCROWN		116		150	213		148	208		
MEDCROWN10							222			
MEDCRWNCST		100								

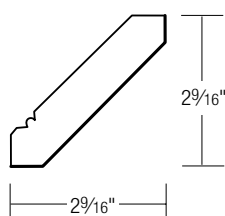
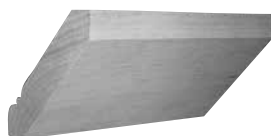
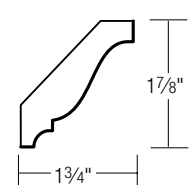
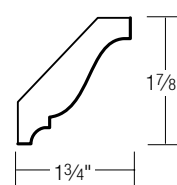
- Can only be used with Subrail
- Use 10' Framestock as subrail material
- MEDCROWN available in Eurotek [Bisque](#) and [Dove White](#) finishes
- MEDCRWNCST available in Eurotek Alabaster, Bright White, Espresso, Grey Mist, Grey Opal and White Cypress finishes
- Solid Wood available in Oak, Maple, Cherry, Red Birch and Alder
- Solid Wood Premium available in Walnut



SOLID WOOD PREMIUM  
MEDCROWN (8' lengths)



SOLID WOOD  
MEDCROWN (8' lengths)  
MEDCROWN10 (10' lengths)



## Subrail Shaker Crown Moulding

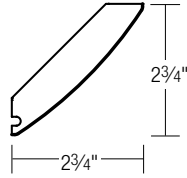
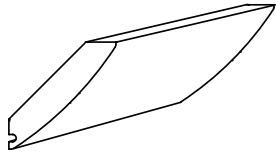
	Melamine	Eurotek	Textured Melamine	Standard Thermofoil	Premium Thermofoil	Wood Veneer	Solid Wood	Solid Wood Premium	Laminate For Metal	UltraLux
SKCRN-SUB							176			
SKCRN-SUB10							265			

- Available in 8' and 10' lengths
- Use 10' Framestock as subrail material
- Solid Wood available in Oak, Maple, Cherry, Red Birch and Alder
- Not available in Deluxe Veneers or Solid Wood Premium Walnut

# Mouldings : Subrail Crown Mouldings

## FOR ALL MOULDINGS

- The ends of mouldings are not finished and should be trimmed prior to installation
- Mouldings specified as "8' lengths" have a usable length of 93"- 99" (if shipped via Fed Ex, 8' moulding will be trimmed to 95"); mouldings specified as "10' lengths" have a usable length of 117"- 123"
- We recommend ordering extra moulding length to minimize butt joints

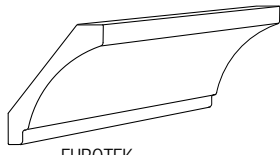


### Subrail Convex Crown Moulding

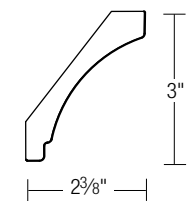
	Melamine	Eurotek	Textured Melamine	Standard Thermofoil	Premium Thermofoil	Wood Veneer	Solid Wood	Solid Wood Premium	Laminate For Metal	UltraLux
--	----------	---------	-------------------	---------------------	--------------------	-------------	------------	--------------------	--------------------	----------

CONVEXRWN 177

- Use with CLEAT to attach to top of wall cabinets
- Available in 8' lengths
- Solid Wood available in Oak, Maple, Cherry, Red Birch and Alder
- Not available in Deluxe Veneers or Solid Wood Premium Walnut



EUROTEK  
COVE-SUB (8' lengths)



### Subrail Large Cove Crown Moulding

	Melamine	Eurotek	Textured Melamine	Standard Thermofoil	Premium Thermofoil	Wood Veneer	Solid Wood	Solid Wood Premium	Laminate For Metal	UltraLux
--	----------	---------	-------------------	---------------------	--------------------	-------------	------------	--------------------	--------------------	----------

COVE-SUB 123 179

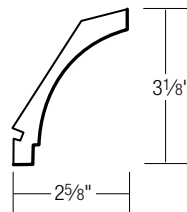
COVE-SUB10 265

COVE 262

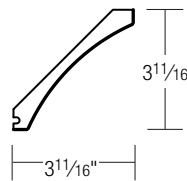
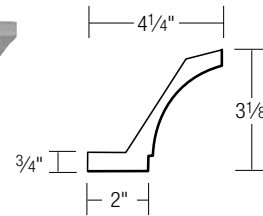
- Use 10' Framestock as subrail material
- Eurotek available in [Bisque](#) and [Dove White](#); not available in Alabaster, Bright White, Espresso, Grey Mist, Grey Opal and White Cypress finishes
- Solid Wood available in Oak, Maple, Cherry, Red Birch and Alder
- Not available in Deluxe Veneers or Solid Wood Premium Walnut



SOLID WOOD  
COVE-SUB (8' lengths)  
COVE-SUB10 (10' lengths)



SOLID WOOD  
COVE (8' lengths)



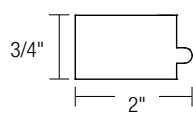
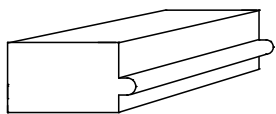
### Large Plain Cove Moulding

	Melamine	Eurotek	Textured Melamine	Standard Thermofoil	Premium Thermofoil	Wood Veneer	Solid Wood	Solid Wood Premium	Laminate For Metal	UltraLux
--	----------	---------	-------------------	---------------------	--------------------	-------------	------------	--------------------	--------------------	----------

COVEPLNLG 244 373

COVEPLNLG10 290

- Available in 8' and 10' lengths
- Must use CLEAT or CLEAT10
- Solid Wood available in Oak, Maple, Cherry, Alder and Red Birch
- Solid Wood Premium available in Walnut (8' length only)
- Not available in Deluxe Veneers



### Cleat

	Melamine	Eurotek	Textured Melamine	Standard Thermofoil	Premium Thermofoil	Wood Veneer	Solid Wood	Solid Wood Premium	Laminate For Metal	UltraLux
--	----------	---------	-------------------	---------------------	--------------------	-------------	------------	--------------------	--------------------	----------

CLEAT 131

CLEAT10 152

- Use with CONVEXRWN, COVEPLNLG, COVEPLNLG10
- Available in 8' lengths
- Solid Wood available in Oak, Maple, Cherry, Alder and Red Birch
- Not available in Deluxe Veneers or Solid Wood Premium Walnut

# Mouldings : Trim Mouldings

## FOR ALL MOULDINGS

- The ends of mouldings are not finished and should be trimmed prior to installation
- Mouldings specified as "8' lengths" have a usable length of 93"- 99" (if shipped via Fed Ex, 8' moulding will be trimmed to 95"); mouldings specified as "10' lengths" have a usable length of 117"- 123"
- We recommend ordering extra moulding length to minimize butt joints

### Outside Corner Moulding

	Melamine	Eurotek	Textured Melamine	Standard Thermofoil	Premium Thermofoil	Wood Veneer	Solid Wood	Solid Wood Premium	Laminate For Metal	UltraLux
OUTCNR		84		118	143					
OUTCNRS							110	142		

- Available in 8' lengths
- OUTCNR is available in Eurotek [Bisque and Dove White](#); not available in Alabaster, Bright White, Espresso, Grey Mist, Grey Opal and White Cypress finishes
- Solid Wood available in Oak, Maple, Cherry, Red Birch, Alder and Bamboo
- Solid Wood Premium available in Walnut

### 135° Outside Corner Moulding

	Melamine	Eurotek	Textured Melamine	Standard Thermofoil	Premium Thermofoil	Wood Veneer	Solid Wood	Solid Wood Premium	Laminate For Metal	UltraLux
OC135MLD							184			

- Available in 8' lengths
- Solid Wood available in Oak, Maple, Cherry, Red Birch and Alder
- Not available in Deluxe Veneers or Solid Wood Premium Walnut

### Inside Corner Moulding

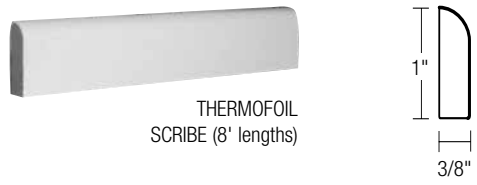
	Melamine	Eurotek	Textured Melamine	Standard Thermofoil	Premium Thermofoil	Wood Veneer	Solid Wood	Solid Wood Premium	Laminate For Metal	UltraLux
INSCNR							121			
INSCNR1405		78								

- Available in 8' lengths
- INSCNR1405 is available in Eurotek [Bisque and Dove White](#); not available in Alabaster, Bright White, Espresso, Grey Mist, Grey Opal and White Cypress finishes
- Solid Wood available in Oak, Maple, Cherry, Red Birch, Alder, and Bamboo
- Not available in Deluxe Veneers or Solid Wood Premium Walnut

# Mouldings : Trim Mouldings

## FOR ALL MOULDINGS

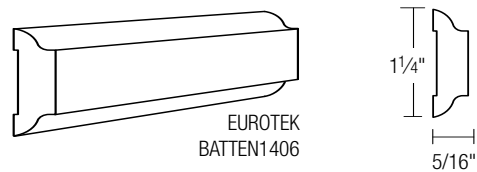
- The ends of mouldings are not finished and should be trimmed prior to installation
- Mouldings specified as "8' lengths" have a usable length of 93" - 99" (if shipped via Fed Ex, 8' moulding will be trimmed to 95"); mouldings specified as "10' lengths" have a usable length of 117" - 123"
- We recommend ordering extra moulding length to minimize butt joints



## Scribe Moulding

	Melamine	Eurotek	Textured Melamine	Standard Thermofoil	Premium Thermofoil	Wood Veneer	Solid Wood	Solid Wood Premium	Laminate For Metal	UltraLux
SCRIBE				90	143					
SCRIBE1408		69								
SCRIBECST		64								
SCRBS							90	117		

- SCRIBE1408 is available in Eurotek [Bisque and Dove White](#) finishes
- SCRIBECST is available in Eurotek Alabaster, Bright White, Espresso, Grey Mist, Grey Opal and White Cypress finishes
- Solid Wood available in Oak, Maple, Cherry, Red Birch and Alder
- Solid Wood Premium available in Walnut



## Batten

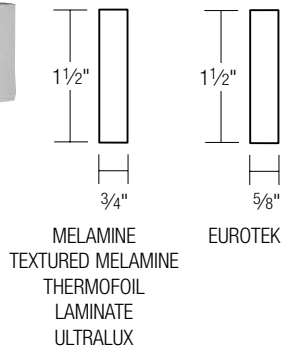
	Melamine	Eurotek	Textured Melamine	Standard Thermofoil	Premium Thermofoil	Wood Veneer	Solid Wood	Solid Wood Premium	Laminate For Metal	UltraLux
BATMOLD				111	171		98	120		
BATTEN1406		72								

- Available in 8' lengths
- BATTEN1406 is available in Eurotek [Bisque and Dove White](#); not available in Eurotek Alabaster, Bright White, Espresso, Grey Mist, Grey Opal and White Cypress finishes
- Solid Wood available in Oak, Maple, Cherry, Red Birch, Alder, and Bamboo
- Solid Wood Premium available in Walnut

# Mouldings : Trim Mouldings

## FOR ALL MOULDINGS

- The ends of mouldings are not finished and should be trimmed prior to installation
- Mouldings specified as "8' lengths" have a usable length of 93"- 99" (if shipped via Fed Ex, 8' moulding will be trimmed to 95"); mouldings specified as "10' lengths" have a usable length of 117"- 123"
- We recommend ordering extra moulding length to minimize butt joints



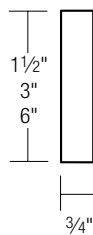
### Frame Stock

	Melamine	Eurotek	Textured Melamine	Standard Thermofoil	Premium Thermofoil	Wood Veneer	Solid Wood	Solid Wood Premium	Laminate For Metal	UltraLux
FRAMESTCK	76	81	91	91	112				194	282

- Available in 8' lengths
- EUROTEK
- Melamine
- Edgebanded two long edges
- Available in all Eurotek finishes
- ALL OTHERS
- Square four sides
- Finished all edges



FRAMESTCK... (8' lengths)  
FRAMESTCK...10 (10' lengths)

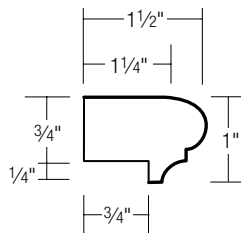


### Frame Stock

	Melamine	Eurotek	Textured Melamine	Standard Thermofoil	Premium Thermofoil	Wood Veneer	Solid Wood	Solid Wood Premium	Laminate For Metal	UltraLux
FRAMESTCK1.5							201	234		
FRAMESTCK1.510							301			
FRAMESTCK3							247	388		
FRAMESTCK310							371			
FRAMESTCK6							262	403		
FRAMESTCK610							394			

- Must specify profile
- Finished all edges
- 1 1/2" available in Solid Wood Oak, Maple, Cherry, Red Birch, Alder, and Bamboo, and Solid Wood Premium Walnut
- 3" and 6" available in all species except Deluxe Veneers

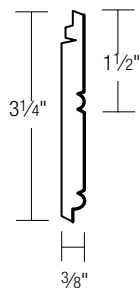
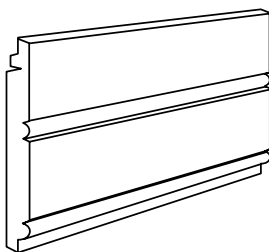
### AVAILABLE EDGE PROFILES



### Wainscoting Cap

	Melamine	Eurotek	Textured Melamine	Standard Thermofoil	Premium Thermofoil	Wood Veneer	Solid Wood	Solid Wood Premium	Laminate For Metal	UltraLux
WNSCOTCAP									136	

- Available in 8' lengths
- Solid Wood available in Oak, Maple, Cherry, Red Birch and Alder
- Not available in Deluxe Veneers or Solid Wood Premium Walnut



### Beaded Panel Moulding

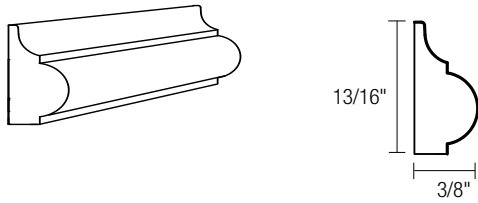
	Melamine	Eurotek	Textured Melamine	Standard Thermofoil	Premium Thermofoil	Wood Veneer	Solid Wood	Solid Wood Premium	Laminate For Metal	UltraLux
BEADMOLD									243	

- Available in 8' lengths
- Available in Oak, Maple and Cherry, Red Birch and Alder
- Not available in Deluxe Veneers or Solid Wood Premium Walnut

# Mouldings : Trim Mouldings

## FOR ALL MOULDINGS

- The ends of mouldings are not finished and should be trimmed prior to installation
- Mouldings specified as "8' lengths" have a usable length of 93"- 99" (if shipped via Fed Ex, 8' moulding will be trimmed to 95"); mouldings specified as "10' lengths" have a usable length of 117"- 123"
- We recommend ordering extra moulding length to minimize butt joints



### Flat Moulding

Melamine	Eurotek	Textured Melamine	Standard Thermofoil	Premium Thermofoil	Wood Veneer	Solid Wood	Solid Wood Premium	Laminate For Metal	UltraLux
----------	---------	-------------------	---------------------	--------------------	-------------	------------	--------------------	--------------------	----------

ASTRAGAL 103

- Matches applied moulding detail on Englewood door style
- Available in 8' lengths
- Solid Wood available in Oak, Maple, Cherry, Red Birch and Alder
- Not available in Deluxe Veneers or Solid Wood Premium Walnut

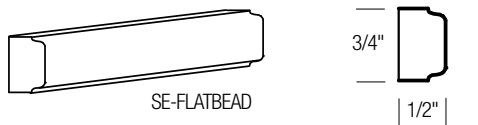
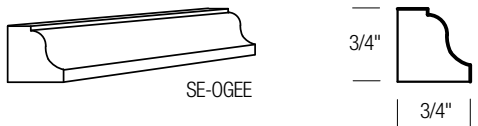


### Shelf Edging

Melamine	Eurotek	Textured Melamine	Standard Thermofoil	Premium Thermofoil	Wood Veneer	Solid Wood	Solid Wood Premium	Laminate For Metal	UltraLux
----------	---------	-------------------	---------------------	--------------------	-------------	------------	--------------------	--------------------	----------

SHELFEDG 94  
SE-OGEE 101  
SE-FLATBEAD 101

- Available in 8' lengths
- Solid Wood available in Oak, Maple, Cherry, Red Birch and Alder
- Not available in Deluxe Veneers or Solid Wood Premium Walnut



### Triple Edging

Melamine	Eurotek	Textured Melamine	Standard Thermofoil	Premium Thermofoil	Wood Veneer	Solid Wood	Solid Wood Premium	Laminate For Metal	UltraLux
----------	---------	-------------------	---------------------	--------------------	-------------	------------	--------------------	--------------------	----------

TRIPEDG 156

- Available in 8' lengths
- Solid Wood available in Oak, Maple and Cherry; not available in Red Birch or Alder
- Not available in Deluxe Veneers or Solid Wood Premium Walnut

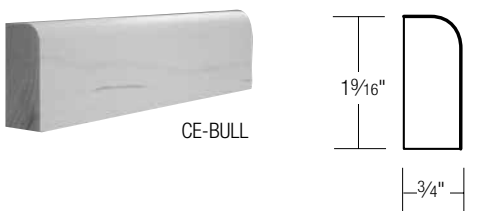
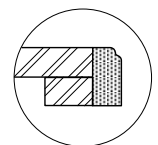


### Countertop Edging

Melamine	Eurotek	Textured Melamine	Standard Thermofoil	Premium Thermofoil	Wood Veneer	Solid Wood	Solid Wood Premium	Laminate For Metal	UltraLux
----------	---------	-------------------	---------------------	--------------------	-------------	------------	--------------------	--------------------	----------

CE-OGEE 123  
CE-BULL 119

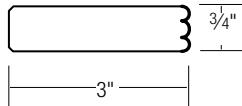
- Available in 8' lengths
- CE-OGEE available in Solid Wood Oak, Maple, Cherry, Red Birch and Alder
- CE-BULL available in Solid Wood Oak, Maple and Cherry
- Not available in Deluxe Veneers or Solid Wood Premium Walnut



# Mouldings : Trim Mouldings

## FOR ALL MOULDINGS

- The ends of mouldings are not finished and should be trimmed prior to installation
- Mouldings specified as "8' lengths" have a usable length of 93"- 99" (if shipped via Fed Ex, 8' moulding will be trimmed to 95"); mouldings specified as "10' lengths" have a usable length of 117"- 123"
- We recommend ordering extra moulding length to minimize butt joints



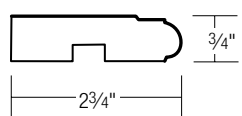
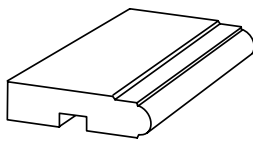
### Triple Bead Moulding

Melamine	Eurotek	Textured Melamine	Standard Thermofoil	Premium Thermofoil	Wood Veneer	Solid Wood	Solid Wood Premium	Laminate For Metal	UltraLux
----------	---------	-------------------	---------------------	--------------------	-------------	------------	--------------------	--------------------	----------

TRBDPLAS

246

- Available in 8' lengths
- Reversible
- Solid Wood available in Oak, Maple and Cherry; not available in Red Birch or Alder
- Not available in Deluxe Veneers or Solid Wood Premium Walnut



### Bullnose Moulding

Melamine	Eurotek	Textured Melamine	Standard Thermofoil	Premium Thermofoil	Wood Veneer	Solid Wood	Solid Wood Premium	Laminate For Metal	UltraLux
----------	---------	-------------------	---------------------	--------------------	-------------	------------	--------------------	--------------------	----------

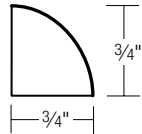
BULLMOLD

227

- Available in 8' lengths
- Solid Wood available in Oak, Maple, Cherry, Red Birch and Alder
- Not available in Deluxe Veneers or Solid Wood Premium Walnut



EUROTEK  
SHOEMOLD1410  
BISQUE-AND DOVE WHITE



### Shoe Moulding

Melamine	Eurotek	Textured Melamine	Standard Thermofoil	Premium Thermofoil	Wood Veneer	Solid Wood	Solid Wood Premium	Laminate For Metal	UltraLux
----------	---------	-------------------	---------------------	--------------------	-------------	------------	--------------------	--------------------	----------

SHOEMOLD

90

164

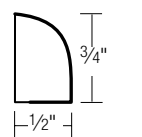
101

125

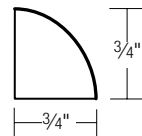
SHOEMOLD1410 77



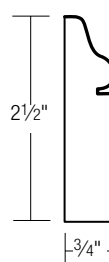
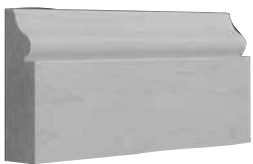
THERMOFOIL  
SHOEMOLD



SOLID WOOD  
AND SOLID WOOD PREMIUM  
SHOEMOLD



- Available in 8' lengths
- SHOEMOLD1410 is available in Eurotek Bisque-and Dove White; not available in Alabaster, Bright White, Espresso, Grey Mist, Grey Opal and White Cypress finishes
- SHOEMOLD is not available in Eurotek
- Solid Wood available in Oak, Maple, Cherry, Red Birch and Alder
- Solid Wood Premium available in Walnut
- Not available in Deluxe Veneers



### Casing

Melamine	Eurotek	Textured Melamine	Standard Thermofoil	Premium Thermofoil	Wood Veneer	Solid Wood	Solid Wood Premium	Laminate For Metal	UltraLux
----------	---------	-------------------	---------------------	--------------------	-------------	------------	--------------------	--------------------	----------

CASING

244

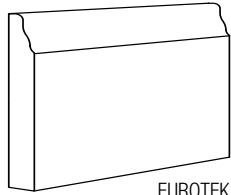
- Available in 8' lengths
- Solid Wood available in Oak, Maple, Cherry, Red Birch and Alder
- Not available in Deluxe Veneers or Solid Wood Premium Walnut



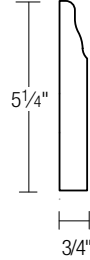
# Mouldings : Trim Mouldings

## FOR ALL MOULDINGS

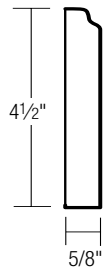
- The ends of mouldings are not finished and should be trimmed prior to installation
- Mouldings specified as "8' lengths" have a usable length of 93" - 99" (if shipped via Fed Ex, 8' moulding will be trimmed to 95"); mouldings specified as "10' lengths" have a usable length of 117" - 123"
- We recommend ordering extra moulding length to minimize butt joints



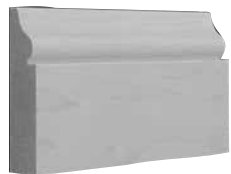
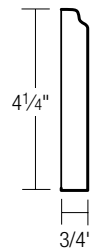
EUROTEK  
BASE8409 (8' lengths)  
BISQUE-AND DOVE WHITE



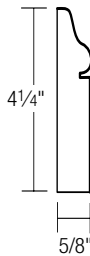
EUROTEK  
BASEMLDCST (107" lengths)  
ALABASTER, BRIGHT WHITE,  
ESPRESSO, GREY MIST, GREY OPAL  
AND WHITE CYPRESS



THERMOFOIL  
BASEMOLD (8' lengths)



SOLID WOOD  
AND SOLID WOOD PREMIUM  
BASEMOLD (8' lengths)



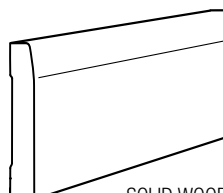
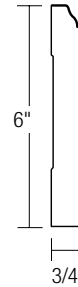
## Base Moulding

	Melamine	Eurotek	Textured Melamine	Standard Thermofoil	Premium Thermofoil	Wood Veneer	Solid Wood	Solid Wood Premium	Laminate For Metal	UltraLux
BASEMOLD				114	218		178	258		
TBASEMOLD							245			
CVEXBASEMLD							178			
BASE8409		113								
BASEMLDCST		110								

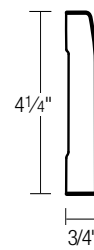
- BASE8409 is available in Eurotek Bisque-and Dove White finishes
- BASEMLDCST is available in Eurotek Alabaster, Bright White, Espresso, Grey Mist, Grey Opal and White Cypress finishes
- Solid Wood available in Oak, Maple, Cherry, Red Birch and Alder
- Solid Wood Premium available in Walnut
- Not available in Deluxe Veneers



SOLID WOOD  
TBASEMOLD (8' lengths)



SOLID WOOD  
CVEXBASEMLD (8' lengths)



# Mouldings : Light Rails

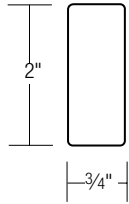
## FOR ALL MOULDINGS

- The ends of mouldings are not finished and should be trimmed prior to installation
- Mouldings specified as "8' lengths" have a usable length of 93" - 99" (if shipped via Fed Ex, 8' moulding will be trimmed to 95"); mouldings specified as "10' lengths" have a usable length of 117" - 123"
- We recommend ordering extra moulding length to minimize butt joints

- Available in 8' lengths
- Same Melamine on back of Light Rail as on back of doors



ADRIATIC, BEADBOARD, CELLINI, EASTOVER EDISON, HUDSON-WIDE, JUPITER, MISSION II, PASADENA



- Eased edge
- 1/6" bullnose edge on all four edges

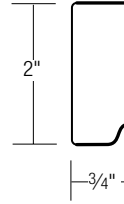
## Light Rails – Thermofoil

	Melamine	Eurotek	Textured Melamine	Standard Thermofoil	Premium Thermofoil	Wood Veneer	Solid Wood	Solid Wood Premium	Laminate For Metal	UltraLux
--	----------	---------	-------------------	---------------------	--------------------	-------------	------------	--------------------	--------------------	----------

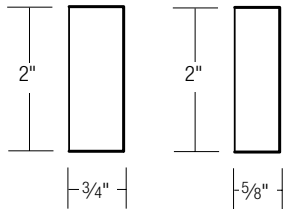
LRST-FOIL 94 141



GRECO, GRECO-WIDE, CHARLESTON-WIDE, LEXINGTON



- Matching door profile on one long edge and 1/6" bullnose on the other three edges



SOLID WOOD  
SOLID WOOD PREMIUM

MELAMINE THERMOFOIL  
LAMINATE  
WOOD VENEER

## Light Rail / Soffit Moulding

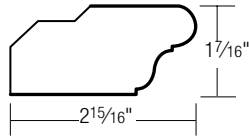
	Melamine	Eurotek	Textured Melamine	Standard Thermofoil	Premium Thermofoil	Wood Veneer	Solid Wood	Solid Wood Premium	Laminate For Metal	UltraLux
--	----------	---------	-------------------	---------------------	--------------------	-------------	------------	--------------------	--------------------	----------

LRST-SQR 69 83 83 95 131 232

LRST-SQRS 131 175

LRST-SQRS10 196

- LRST-SQR available in 8' lengths
- LRST-SQRS available in 8' and 10' lengths
- Solid Wood available in Oak, Maple, Cherry, Alder and Red Birch
- Wood Veneer available in Bamboo
- Solid Wood Premium available in Walnut

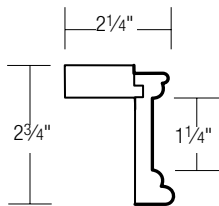


## Trim Moulding – Traditional

	Melamine	Eurotek	Textured Melamine	Standard Thermofoil	Premium Thermofoil	Wood Veneer	Solid Wood	Solid Wood Premium	Laminate For Metal	UltraLux
--	----------	---------	-------------------	---------------------	--------------------	-------------	------------	--------------------	--------------------	----------

TRIMMOLD 332

- Available in 8' lengths
- Can be used as Light Rail or Crown Moulding
- Solid Wood available in Oak, Maple, Cherry, Red Birch and Alder
- Not available in Deluxe Veneers or Solid Wood Premium Walnut



## Light Rail – Insert

	Melamine	Eurotek	Textured Melamine	Standard Thermofoil	Premium Thermofoil	Wood Veneer	Solid Wood	Solid Wood Premium	Laminate For Metal	UltraLux
--	----------	---------	-------------------	---------------------	--------------------	-------------	------------	--------------------	--------------------	----------

LRST-INST 216

These Ornamental Trims fit in the flat area of Light Rail LRST-INST; see page 16-17 for more details:



TWISTED ROPE TRIM



LEAF TRIM



SQUARE DENTICIL TRIM

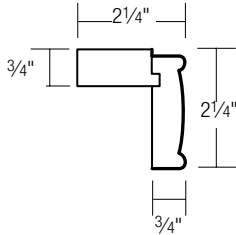
DISCONTINUED

- Available in 8' lengths
- Can be used as Light Rail or Crown Moulding
- Available in Oak, Maple and Cherry; not available in Red Birch and Alder
- Not available in Deluxe Veneers or Solid Wood Premium Walnut

# Mouldings : Light Rails

## FOR ALL MOULDINGS

- The ends of mouldings are not finished and should be trimmed prior to installation
- Mouldings specified as "8' lengths" have a usable length of 93"- 99" (if shipped via Fed Ex, 8' moulding will be trimmed to 95"); mouldings specified as "10' lengths" have a usable length of 117"- 123"
- We recommend ordering extra moulding length to minimize butt joints

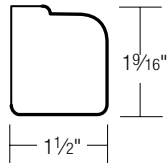


### Light Rail – Traditional

	Textured Melamine	Standard Melamine	Premium Melamine	Wood Veneer	Solid Wood	Solid Wood Premium	Laminate For Metal	UltraLux
--	-------------------	-------------------	------------------	-------------	------------	--------------------	--------------------	----------

LRST-TRAD								196
LRST-RB								363
LRST-ALD								322

- Available in 8' lengths
- Can be used as Light Rail or Crown Moulding
- Two-piece construction; heel finished
- LRST-TRAD available in Solid Wood Oak, Maple and Cherry
- LRST-RB available in Solid Wood Red Birch
- LRST-ALD available in Solid Wood Alder
- Not available in Deluxe Veneers or Solid Wood Premium Walnut

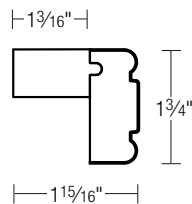
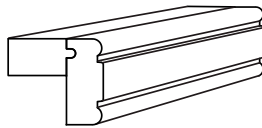


### Trim Moulding – Round

	Textured Melamine	Standard Melamine	Premium Melamine	Wood Veneer	Solid Wood	Solid Wood Premium	Laminate For Metal	UltraLux
--	-------------------	-------------------	------------------	-------------	------------	--------------------	--------------------	----------

LRST-RNDS								282
-----------	--	--	--	--	--	--	--	-----

- Available in 8' lengths
- Can be used as Light Rail or Crown Moulding
- Available in Oak, Maple and Cherry; not available in Red Birch and Alder
- Not available in Deluxe Veneers or Solid Wood Premium Walnut

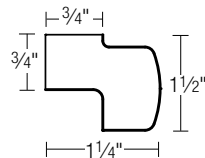
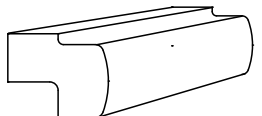


### Light Rail – Double Bead

	Textured Melamine	Standard Melamine	Premium Melamine	Wood Veneer	Solid Wood	Solid Wood Premium	Laminate For Metal	UltraLux
--	-------------------	-------------------	------------------	-------------	------------	--------------------	--------------------	----------

LRST-KA								202
---------	--	--	--	--	--	--	--	-----

- Available in 8' lengths
- Solid Wood available in Oak, Maple, Cherry, Red Birch and Alder
- Not available in Deluxe Veneers or Solid Wood Premium Walnut

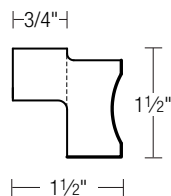


### Light Rail – Crown Moulding

	Textured Melamine	Standard Melamine	Premium Melamine	Wood Veneer	Solid Wood	Solid Wood Premium	Laminate For Metal	UltraLux
--	-------------------	-------------------	------------------	-------------	------------	--------------------	--------------------	----------

LRST-CVX								202
----------	--	--	--	--	--	--	--	-----

- Available in 8' lengths
- Solid Wood available in Oak, Maple, Cherry, Red Birch and Alder
- Not available in Deluxe Veneers or Solid Wood Premium Walnut

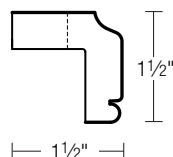


### Light Rail – Concave

	Textured Melamine	Standard Melamine	Premium Melamine	Wood Veneer	Solid Wood	Solid Wood Premium	Laminate For Metal	UltraLux
--	-------------------	-------------------	------------------	-------------	------------	--------------------	--------------------	----------

LRST-CONCV								223
------------	--	--	--	--	--	--	--	-----

- Available in 8' lengths
- Solid Wood available in Oak, Maple, Cherry, Red Birch and Alder
- Not available in Deluxe Veneers or Solid Wood Premium Walnut



### Light Rail – Single Bead

	Textured Melamine	Standard Melamine	Premium Melamine	Wood Veneer	Solid Wood	Solid Wood Premium	Laminate For Metal	UltraLux
--	-------------------	-------------------	------------------	-------------	------------	--------------------	--------------------	----------

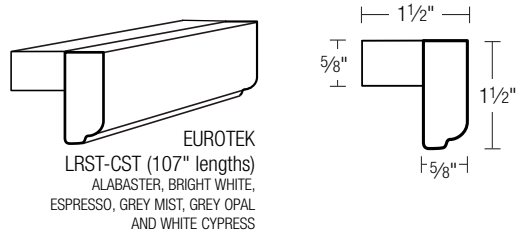
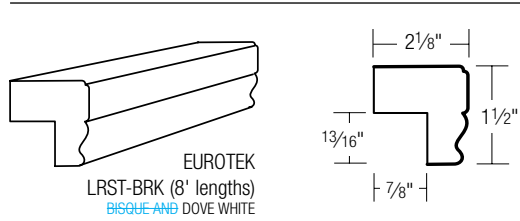
LRST-SNGBD								223
------------	--	--	--	--	--	--	--	-----

- Available in 8' lengths
- Solid Wood available in Oak, Maple, Cherry, Red Birch and Alder
- Not available in Deluxe Veneers or Solid Wood Premium Walnut

# Mouldings : Light Rails

## FOR ALL MOULDINGS

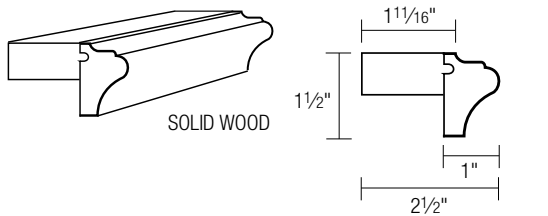
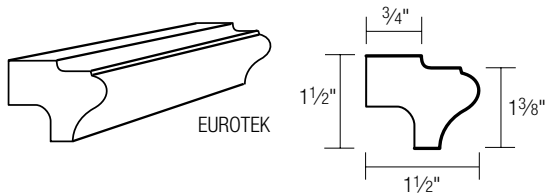
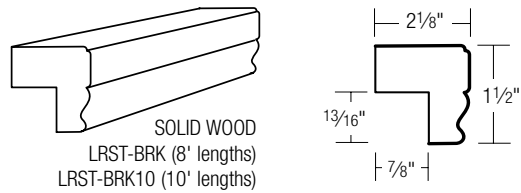
- The ends of mouldings are not finished and should be trimmed prior to installation
- Mouldings specified as "8' lengths" have a usable length of 93" - 99" (if shipped via Fed Ex, 8' moulding will be trimmed to 95"); mouldings specified as "10' lengths" have a usable length of 117" - 123"
- We recommend ordering extra moulding length to minimize butt joints



## Light Rail – Brick Mold

	Melamine	Eurotek	Textured Melamine	Standard Thermofoil	Premium Thermofoil	Wood Veneer	Solid Wood	Solid Wood Premium	Laminate For Metal	UltraLux
LRST-BRK		132						194		
LRST-BRK10								292		
LRST-CST		110								

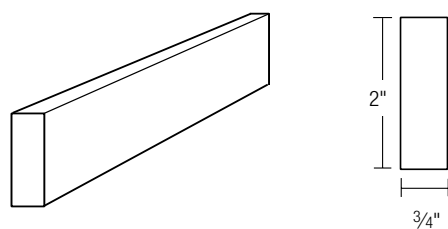
- LRST-BRK is available in Eurotek Bisque-and Dove White finishes
- LRST-CST is available in Eurotek Alabaster, Bright White, Espresso, Grey Mist, Grey Opal and White Cypress finishes
- Solid Wood available in Oak, Maple, Cherry, Red Birch and Alder
- Not available in Deluxe Veneers or Solid Wood Premium Walnut



## Light Rail – Boot Mold

	Melamine	Eurotek	Textured Melamine	Standard Thermofoil	Premium Thermofoil	Wood Veneer	Solid Wood	Solid Wood Premium	Laminate For Metal	UltraLux
LRST-BOT		132						308		

- Available in 8' lengths
- LRST-BOT is available in Eurotek Bisque-and Dove White; not available in Alabaster, Bright White, Espresso, Grey Mist, Grey Opal and White Cypress finishes
- Solid Wood available in Oak, Maple, Cherry, Red Birch and Alder
- Not available in Deluxe Veneers or Solid Wood Premium Walnut



## Light Rail – Straight

	Melamine	Eurotek	Textured Melamine	Standard Thermofoil	Premium Thermofoil	Wood Veneer	Solid Wood	Solid Wood Premium	Laminate For Metal	UltraLux
STRTLRLAM		95								

- Available in 8' lengths
- Available in all Eurotek finishes

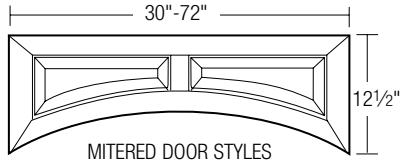
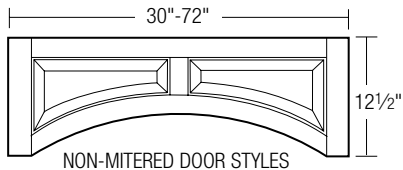


## Light Rail – Beaded

	Melamine	Eurotek	Textured Melamine	Standard Thermofoil	Premium Thermofoil	Wood Veneer	Solid Wood	Solid Wood Premium	Laminate For Metal	UltraLux
BEADLTRL		92								

- Available in 8' lengths
- Available in Eurotek Bisque-and Dove White; not available in Alabaster, Bright White, Espresso, Grey Mist, Grey Opal and White Cypress finishes

# Mouldings : Valances

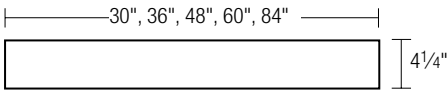


## Arched Raised / Recessed Panel Valance

	Melamine	Eurotek	Textured Melamine	Standard Thermofoil	Premium Thermofoil	Wood Veneer	Solid Wood	Solid Wood Premium	Laminate For Metal	UltraLux
DESIGN CHARGE							828	1076		
PRICE PER LINEAR INCH							11	14		

ORDER AS: ARCHVALXX XX = INCHES WIDE

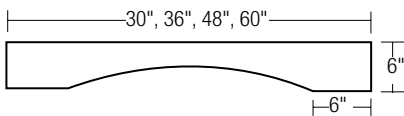
- Height modifications not available
- Width modifications in 3" increments only
- Minimum width = 30"; Maximum width = 72"
- Center panel will be either raised or recessed based on the door style selected
- Raised panel is shown in drawing (actual will match raised panel of selected door style)
- Stiles and rails consistent with door profiles; not modifiable
- Valances in non-mitered door styles will have a square edge profile
- Valances in mitered door styles will have matching edge profiles
- Solid Wood available in Oak, Maple, Cherry, Red Birch and Alder
- Solid Wood Premium available in Walnut
- Not available in Deluxe Veneers
- Not available in Boca Raton, Englewood, Frisco, Kiawah, Lauderdale, Perth-Amboy, Plainview, Plainview Wide, and Plymouth and-York door styles



## Straight Valance

	Melamine	Eurotek	Textured Melamine	Standard Thermofoil	Premium Thermofoil	Wood Veneer	Solid Wood	Solid Wood Premium	Laminate For Metal	UltraLux
VAL30	75	64	90	90	107		159	207	171	181
VAL36	82	76	98	98	119		179	233	187	195
VAL48	98	83	118	118	149		224	291	198	211
VAL60	113	109	136	136	166		265	345	260	272
VAL84	128	126	154	154	232		356	463	319	331

- Melamine is 5/8" thick
- Eurotek is 5/8" thick coordinated melamine and has no door edge profile
- Thermofoil valances are not trimmable
- Thermofoil and Wood are 3/4" thick
- Thermofoil and Wood can be ordered to size; add Accessory Modification charge
- Door profile along four edges for Solid Wood
- Solid Wood available in Oak, Maple, Cherry, Red Birch and Alder
- Solid Wood Premium available in Walnut
- Not available in Deluxe Veneers
- Modify height up to 6", length up to 96"
- Due to the metallic finish of Mica Metallic and Champagne Metallic, parts over 48" will show a noticeable color change

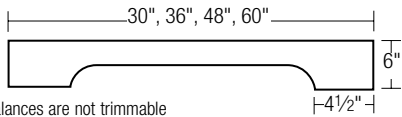


## Arched Valance

	Melamine	Eurotek	Textured Melamine	Standard Thermofoil	Premium Thermofoil	Wood Veneer	Solid Wood	Solid Wood Premium	Laminate For Metal	UltraLux
ARCHVAL30				75	107		159	207		
ARCHVAL36				86	119		184	239		
ARCHVAL48				98	149		224	291		
ARCHVAL60				113	166		265	345		

- Thermofoil valances are not trimmable
- Solid Wood available in Oak, Maple, Cherry, Red Birch and Alder
- Solid Wood Premium available in Walnut
- Not available in Deluxe Veneers
- Arch is half valance height
- Minimum height modification is 4"; height increase not available
- Minimum length modification is 24"
- Feet are fixed length based on length modification

# Mouldings : Valances



- Thermofoil valances are not trimmable
- Solid Wood available in Oak, Maple, Cherry, Red Birch and Alder
- Solid Wood Premium available in Walnut
- Not available in Deluxe Veneers
- Minimum height modification is 3"; maximum height modification is 6"
- Minimum length modification is 24"
- Radius cannot be modified
- Feet are fixed based on length modification
- Square profile along all four edges

## Mission Valance

	Melamine	Eurotek	Textured Melamine	Standard Thermofoil	Premium Thermofoil	Wood Veneer	Solid Wood	Solid Wood Premium	Laminate For Metal	UltraLux
MISSVAL30				75	107		159	207		
MISSVAL36				86	119		184	239		
MISSVAL48				98	149		224	291		
MISSVAL60				113	166		265	345		



- Minimum width = 24"; Minimum height = 4"; Maximum height = 6"
- Long Arch arch is fixed at 3" high
- Radius cannot be modified
- Feet are a fixed dimension; cannot be modified
- Square profile along all four edges
- Solid Wood available in Oak, Maple, Cherry, Red Birch and Alder
- Solid Wood Premium available in Walnut
- Not available in Deluxe Veneers

## Long Arch Valance

	Melamine	Eurotek	Textured Melamine	Standard Thermofoil	Premium Thermofoil	Wood Veneer	Solid Wood	Solid Wood Premium	Laminate For Metal	UltraLux
LNGACHVAL30							132	172		
LNGACHVAL36							158	205		
LNGACHVAL48							194	252		
LNGACHVAL60							231	300		



- Minimum width = 24"; Minimum height = 4"; Maximum height = 6"
- Radius cannot be modified
- Feet are a fixed dimension; cannot be modified
- Square profile along all four edges
- Solid Wood available in Oak, Maple, Cherry, Red Birch and Alder
- Solid Wood Premium available in Walnut
- Not available in Deluxe Veneers


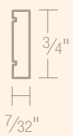
## Transitional Arch Valance

	Melamine	Eurotek	Textured Melamine	Standard Thermofoil	Premium Thermofoil	Wood Veneer	Solid Wood	Solid Wood Premium	Laminate For Metal	UltraLux
TRANSVAL30							132	172		
TRANSVAL36							158	205		
TRANSVAL48							194	252		
TRANSVAL60							231	300		

# Mouldings : Ornamental Trim

FOR ALL MOULDINGS

- The ends of mouldings are not finished and should be trimmed prior to installation
- Mouldings specified as "8' lengths" have a usable length of 93" - 99" (if shipped via Fed Ex, 8' moulding will be trimmed to 95"); mouldings specified as "10' lengths" have a usable length of 117" - 123"
- We recommend ordering extra moulding length to minimize butt joints


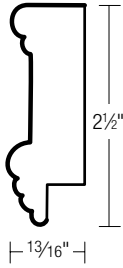
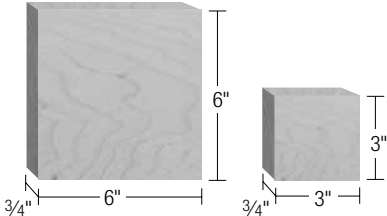
		Ornamental Trim						
		OAK	ALDER	MAPLE	CHERRY	RED BIRCH	WALNUT	Solid Wood
				•	•			<b>Square Dentil Trim</b> SQDENT 145 • Available in 8' lengths • Will fit into CROWN2, CROWN2S, CRWN2-SUB (see page 16.1, 16.3) • Will fit into LRST-INST (see page 16.12)
				•	•			<b>Ivy Trim</b> IVYTRM 130 • Available in 8' lengths
				•	•			<b>Leaf Trim</b> LEAFTRM 137 • Available in 8' lengths • Will fit into CROWN2, CROWN2S, CRWN2-SUB (see page 16.1, 16.3) • Will fit into LRST-INST (see page 16.12)
				•	•			<b>Bead &amp; Pearl Trim</b> BDPEARL 109 • Available in 8' lengths • Will fit into CROWN2, CROWN2S, CRWN2-SUB (see page 16.1, 16.3)
				•	•			<b>Small Egg &amp; Dart Trim</b> SMDART 209 • Available in 8' lengths • Will fit into CROWN2, CROWN2S, CRWN2-SUB (see page 16.1, 16.3)
				•	•			<b>Greek Trim</b> GREKMLD 110 • Available in 8' lengths • Will fit into CROWN2, CROWN2S, CRWN2-SUB (see page 16.1, 16.3)
				•	•			<b>Twisted Rope Trim</b> TWTROPE 160 • Available in 8' lengths • Will fit into CROWN2, CROWN2S, CRWN2-SUB (see page 16.1, 16.3) • Will fit into LRST-INST (see page 16.12)

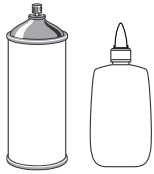
# Mouldings : Ornamental Trim

**FOR ALL MOULDINGS**

- The ends of mouldings are not finished and should be trimmed prior to installation
- Mouldings specified as "8' lengths" have a usable length of 93"- 99" (if shipped via Fed Ex, 8' moulding will be trimmed to 95"); mouldings specified as "10' lengths" have a usable length of 117"- 123"
- We recommend ordering extra moulding length to minimize butt joints

## Ornamental Trim

		OAK	ALDER	MAPLE	CHERRY	RED BIRCH	WALNUT	Solid Wood	
 		•		•	•			<b>Mirror Trim</b> PFRAMEMOLD 157 • Available in 8' lengths	
		•		•	•			<b>Plinth</b> 3" PLINTH 92 6" PLINTH 108 • All edges and one side finished	
									




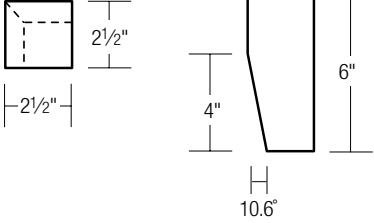

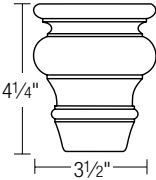

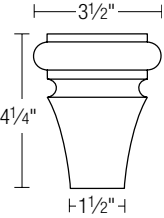

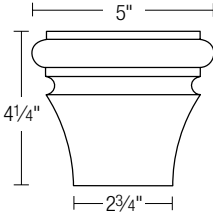
- Use in lieu of nails to fix mitred moulding or applied moulding details

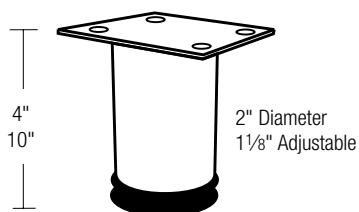
## Mitrebond Joint Cement

Item	Price
MITREBOND	118



# Mouldings : Feet, Legs and Turnings

		Feet						
		OAK	ALDER	MAPLE	CHERRY	RED BIRCH	WALNUT	Solid Wood
 		•		•	•			<b>Tapered Foot</b> TAPERLEG 102 • Field installed through cabinet base
 		•	•	•	•	•		<b>Bun Foot</b> BUNFOOT322 133 • Field installed through cabinet base
  <p>ITALFOOT3</p>   <p>ITALFOOT5</p>		•	•	•	•	•		<b>Italianette Foot</b> ITALFOOT3 232 ITALFOOT5 279 • Field installed through cabinet base


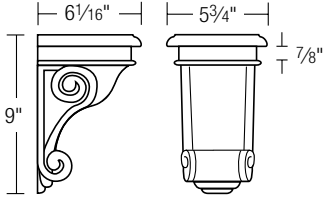

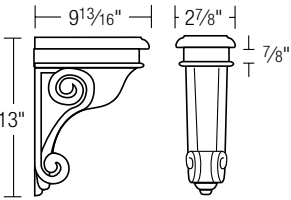

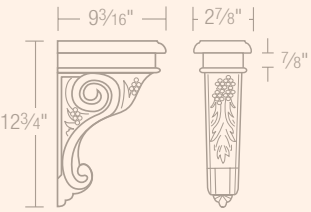

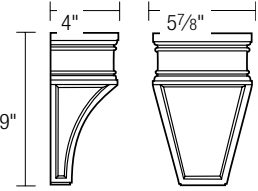

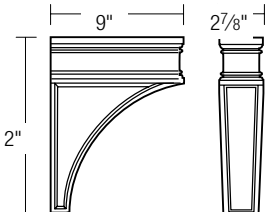

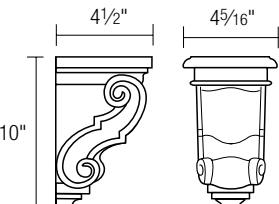


## Euro Leg

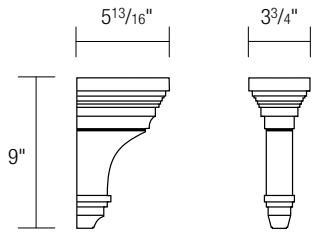
	Price	
ELEG4	51	Specify Finish: Glossy Black – BG; Flat Black – BF; Chrome – CH; Brushed Steel – SS; Aluminum – AL
ELEG10	63	

- Field installed
- Order 10" leg for Euro Island Base cabinet for 34 1/2" overall height; see page 11.9-11.10

# Mouldings : Corbels

		Corbels						
		OAK	ALDER	MAPLE	CHERRY	RED BIRCH	WALNUT	Solid Wood
 <p>WIDE</p>		•	•	•				
 <p>NARROW</p>		•	•	•				
 <p>NARROW</p>		•	•	•				
 <p>WIDE</p>		•	•	•				
 <p>NARROW</p>		•	•	•				
		•	•	•				

# Mouldings : Corbels

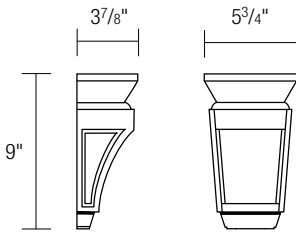


## Art Corbel

	Melamine	Eurotek	Textured Melamine	Standard Thermofoil	Premium Thermofoil	Wood Veneer	Solid Wood	Solid Wood Premium	Laminate For Metal	UltraLux
--	----------	---------	-------------------	---------------------	--------------------	-------------	------------	--------------------	--------------------	----------

CRBLART9 460 730

- Solid Wood available in Oak, Maple, Cherry and Alder
- Solid Wood Premium available in Walnut

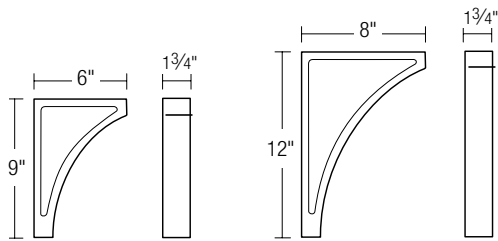


## Mission Corbel

	Melamine	Eurotek	Textured Melamine	Standard Thermofoil	Premium Thermofoil	Wood Veneer	Solid Wood	Solid Wood Premium	Laminate For Metal	UltraLux
--	----------	---------	-------------------	---------------------	--------------------	-------------	------------	--------------------	--------------------	----------

CRBLMIS9 625

- Solid Wood available in Maple, Cherry and Alder
- Not available in Solid Wood Premium Walnut

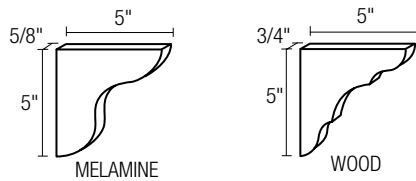


## Decorative End Bracket

	Melamine	Eurotek	Textured Melamine	Standard Thermofoil	Premium Thermofoil	Wood Veneer	Solid Wood	Solid Wood Premium	Laminate For Metal	UltraLux
--	----------	---------	-------------------	---------------------	--------------------	-------------	------------	--------------------	--------------------	----------

TEMPCORBL9 198  
TEMPCORBL12 231

- Solid Wood available in Oak, Maple and Cherry
- Not available in Solid Wood Premium Walnut
- Carved laminated stock

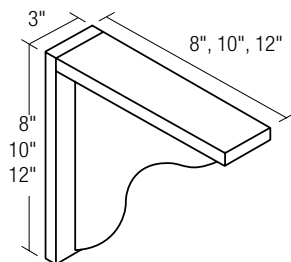


## Corbel

	Melamine	Eurotek	Textured Melamine	Standard Thermofoil	Premium Thermofoil	Wood Veneer	Solid Wood	Solid Wood Premium	Laminate For Metal	UltraLux
--	----------	---------	-------------------	---------------------	--------------------	-------------	------------	--------------------	--------------------	----------

CORBEL 116 116 121

- Solid Wood available in Oak, Maple, Cherry, Red Birch and Alder
- Not available in Deluxe Veneers or Solid Wood Premium Walnut



## Countertop Support

	Melamine	Eurotek	Textured Melamine	Standard Thermofoil	Premium Thermofoil	Wood Veneer	Solid Wood	Solid Wood Premium	Laminate For Metal	UltraLux
--	----------	---------	-------------------	---------------------	--------------------	-------------	------------	--------------------	--------------------	----------

CTSUPP8	101		121	121	149	190				298
CTSUPP8S							202			
CTSUPP10	129	155	155	155	166	211				321
CTSUPP10S							223			
CTSUPP12	155	186	186	186	184	231				343
CTSUPP12S							245			

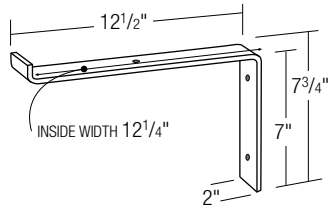
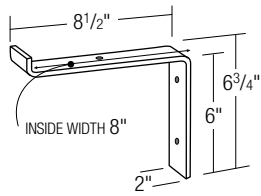
- Standard Thermofoils and Eurotek use Melamine
- Solid Wood available in Oak, Maple, Cherry, Red Birch and Alder
- Not available in Solid Wood Premium Walnut

# Mouldings : Decorative Shelf Brackets

## Industrial Straight Shelf Bracket

- Finishes available: Wrought Iron (WI), Stainless Steel (SS), and Gun Metal Gray (GM)
- On stainless steel brackets, screws are countersunk
- Metal is 1/4" thick
- Shelf sits on top of the bracket
- Modifications are not available
- For shelves, order panel with edgebanding on exposed edges: ISB8.5 requires an 8" deep shelf; ISB12.5 requires a 12" deep shelf

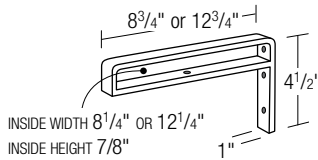
SKU	Price
ISB8.5WI	173
ISB8.5SS	291
ISB8.5GM	297
ISB12.5WI	194
ISB12.5SS	309
ISB12.5GM	335



## Industrial Loop Shelf Bracket

- Finishes available: Wrought Iron (WI), Stainless Steel (SS), and Gun Metal Gray (GM)
- On stainless steel brackets, screws are countersunk
- Metal is 1/4" thick
- Shelf sits inside the loop
- Modifications are not available
- For shelves, order panel with edgebanding on exposed edges: ILB8.75 requires an 8" deep shelf; ILB12.75 requires a 12" deep shelf

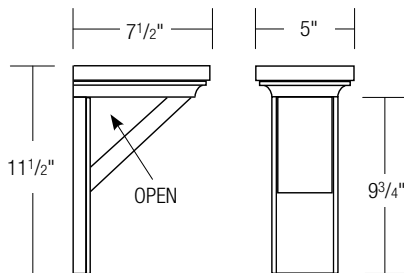
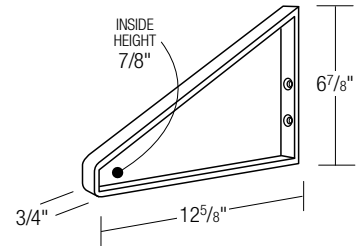
SKU	Price
ILB8.75WI	267
ILB8.75SS	359
ILB8.75GM	409
ILB12.75WI	288
ILB12.75SS	382
ILB12.75GM	466



## Mid-Century Shelf Bracket

- Finishes available: Wrought Iron (WI), Stainless Steel (SS), and Gun Metal Gray (GM)
- Metal is 1/4" thick
- 3/4"-thick, 12"-deep shelf sits inside bracket
- Modifications are not available
- For shelves, order panel with edgebanding on exposed edges: requires a 12" deep shelf

SKU	Price
MCB12WI	277
MCB12SS	320
MCB12GM	277



## Arts and Crafts Bracket

Melamine	Eurotek	Textured Melamine	Standard Thermofoil	Premium Thermofoil	Wood Veneer	Solid Wood	Solid Wood Premium	Laminate For Metal	UltraLux
----------	---------	-------------------	---------------------	--------------------	-------------	------------	--------------------	--------------------	----------

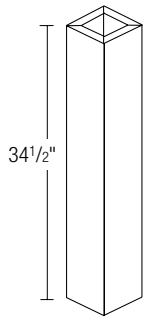
BRKTA&C11.5

475

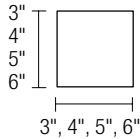
- Solid Wood available in Oak, Maple, Cherry and Alder
- Not available in Solid Wood Premium Walnut

# Mouldings : Feet, Legs and Turnings

## Square Plain Post



	Solid Wood	Solid Wood Premium
POST3	313	407
POST4	474	616
POST5	482	627
POST6	496	645

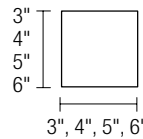


- Available in Oak, Maple, Cherry, Alder, and Red Birch
- Solid Wood Premium available in Walnut
- Not available in Deluxe Veneers
- Standard height 34 1/2"; modified heights available 12" to 40 1/2" high

## Square Fluted Post



	Solid Wood	Solid Wood Premium
POSTFL3	347	451
POSTFL4	508	660
POSTFL5	517	672
POSTFL6	530	689

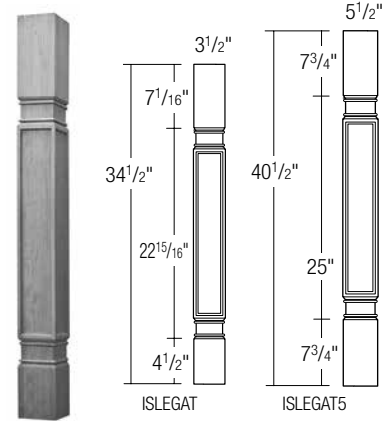


- Available in Oak, Maple, Cherry, Alder, and Red Birch
- Solid Wood Premium available in Walnut
- Not available in Deluxe Veneers
- Standard height 34 1/2"; modified heights available 12" to 40 1/2" high

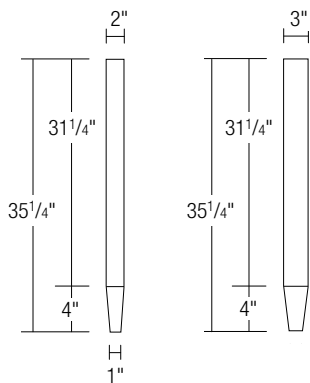
## Athenian Posts

- Carved laminated stock
- Solid Wood available in Oak, Maple and Cherry; not available in Alder or Red Birch
- Not available in Solid Wood Premium Walnut

	Solid Wood
ISLEGAT	770
ISLEGAT5	1008



## Square Island Leg, Tapered Foot



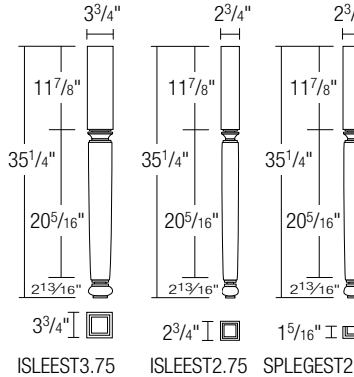
	Solid Wood	Solid Wood Premium
ISLESQTAPFT2	475	535
ISLESQTAPFT3	585	700

- Solid Wood available in Oak, Maple, Cherry and Alder
- Solid Wood Premium available in Walnut

ISLESQTAPFT2

ISLESQTAPFT3

## Estate Island Leg



	Solid Wood	Solid Wood Premium
ISLEEST3.75	660	975
ISLEEST2.75	575	785
SPLEGEST2.75	480	580

- Solid Wood available in Oak, Maple, Cherry and Alder
- Solid Wood Premium available in Walnut

ISLEEST3.75

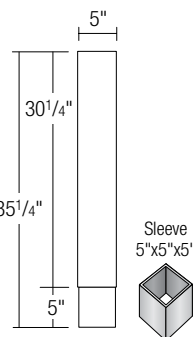
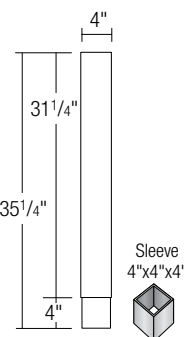
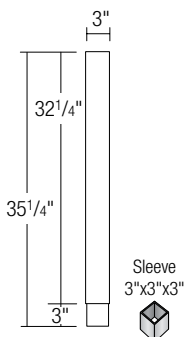
ISLEEST2.75

SPLEGEST2.75

## Square Island Leg with Sleeve

- Solid Wood available in Oak, Maple, Cherry and Alder
- Solid Wood Premium available in Walnut
- Leg and sleeve sold separately

Price per Leg	Solid Wood	Solid Wood Premium	Price per Sleeve
ISLESQRSLV3	593	770	Graphite Sleeve
ISLESQRSLV4	670	886	GRPHT3 96
ISLESQRSLV5	809	1110	GRPHT4 114
			GRPHT5 222
			Wrought Iron Sleeve
			WRIRN3 96
			WRIRN4 114
			WRIRN5 222
			Brushed Aluminum Sleeve
			BRALU3 96
			BRALU4 114
			BRALU5 222

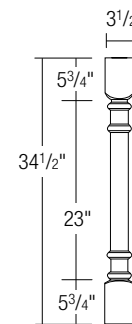


ISLESQRSLV3

ISLESQRSLV4

ISLESQRSLV5

## Aster Island Leg



	Solid Wood
ISLEASTER3.5	670

- Solid Wood available in Oak, Maple, Cherry and Alder
- Not available in Solid Wood Premium Walnut

# Mouldings : Feet, Legs and Turnings

## Mission Island Leg

Solid Wood	
ISLEMIS3	700

- Solid Wood available in Oak, Maple, Cherry and Alder
- Not available in Solid Wood Premium Walnut

## Palladian Island Leg

Solid Wood	Solid Wood Premium
ISLEPAL3.5	750 925

- Solid Wood available in Oak, Maple, Cherry and Alder
- Solid Wood Premium available in Walnut

## English Island Leg

Solid Wood	
ISLEENG5	800

- Solid Wood available in Oak, Maple, Cherry and Alder
- Not available in Solid Wood Premium Walnut

## Long Tapered Island Leg, Tapered 2 Sides

	Solid Wood	Solid Wood Premium
ISLELT2S3.75	600	785
BARLT2S3.75	700	N/A

- Solid Wood available in Oak, Maple, Cherry and Alder
- Solid Wood Premium available in Walnut

## Long Tapered Island Leg, Tapered 4 Sides

	Solid Wood	Solid Wood Premium
ISLELT4S3.75	625	800
BARLT4S3.75	725	N/A

- Solid Wood available in Oak, Maple, Cherry and Alder
- Solid Wood Premium available in Walnut

## Metro Island Leg

Solid Wood	Solid Wood Premium
ISLEMET3	550 755

- Solid Wood available in Oak, Maple, Cherry and Alder
- Solid Wood Premium available in Walnut

## Traditional Double Square Island Leg

Solid Wood	
BARDBLSQR3.5	640
ISLEDBLSQR3.5	590

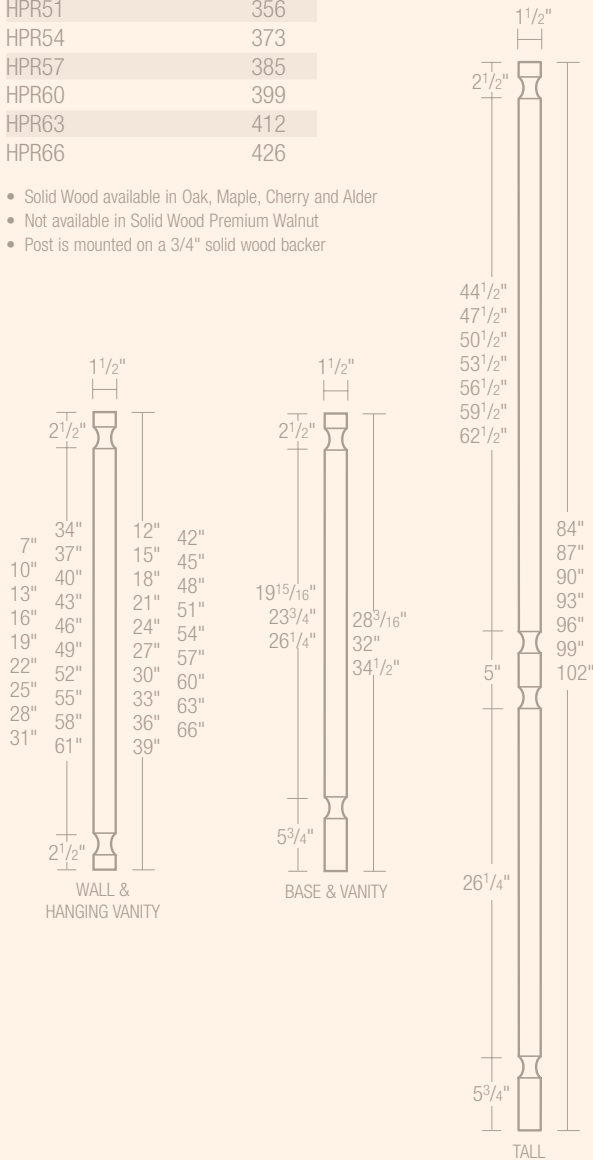
- Solid Wood available in Oak, Maple, Cherry and Alder
- Not available in Solid Wood Premium Walnut

# Mouldings : Pilasters

## 1 1/2" Turned Half Posts – Round

Solid Wood		Solid Wood	
<b>Wall and Hanging Vanity</b>			
HPR12	197	HPR28	281
HPR15	214	HPR32	271
HPR18	222	HPR34	259
HPR21	236		
HPR24	246		
HPR27	258		
HPR30	270		
HPR33	282		
HPR36	293		
HPR39	303		
HPR42	315		
HPR45	326		
HPR48	338		
HPR51	356		
HPR54	373		
HPR57	385		
HPR60	399		
HPR63	412		
HPR66	426		
<b>Base and Vanity</b>			
HPR84	483		
HPR87	496		
HPR90	508		
HPR93	517		
HPR96	528		
HPR99	538		
HPR102	576		
<b>Tall</b>			

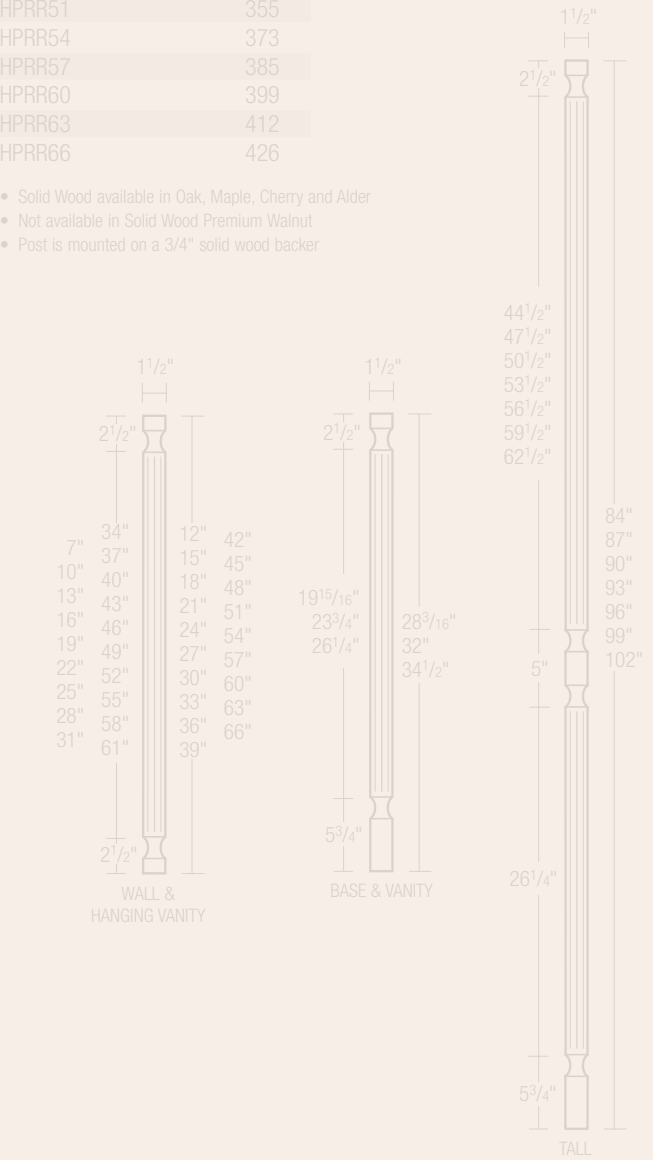
- Solid Wood available in Oak, Maple, Cherry and Alder
- Not available in Solid Wood Premium Walnut
- Post is mounted on a 3/4" solid wood backer



## 1 1/2" Turned Half Posts – Reeded

Solid Wood		Solid Wood	
<b>Wall and Hanging Vanity</b>			
HPRR12	198	HPRR28	258
HPRR15	214	HPRR32	271
HPRR18	222	HPRR34	282
HPRR21	236		
HPRR24	247		
HPRR27	256		
HPRR30	270		
HPRR33	282		
HPRR36	293		
HPRR39	303		
HPRR42	313		
HPRR45	325		
HPRR48	337		
HPRR51	355		
HPRR54	373		
HPRR57	385		
HPRR60	399		
HPRR63	412		
HPRR66	426		
<b>Base and Vanity</b>			
HPRR84	483		
HPRR87	496		
HPRR90	508		
HPRR93	518		
HPRR96	528		
HPRR99	537		
HPRR102	576		
<b>Tall</b>			

- Solid Wood available in Oak, Maple, Cherry and Alder
- Not available in Solid Wood Premium Walnut
- Post is mounted on a 3/4" solid wood backer

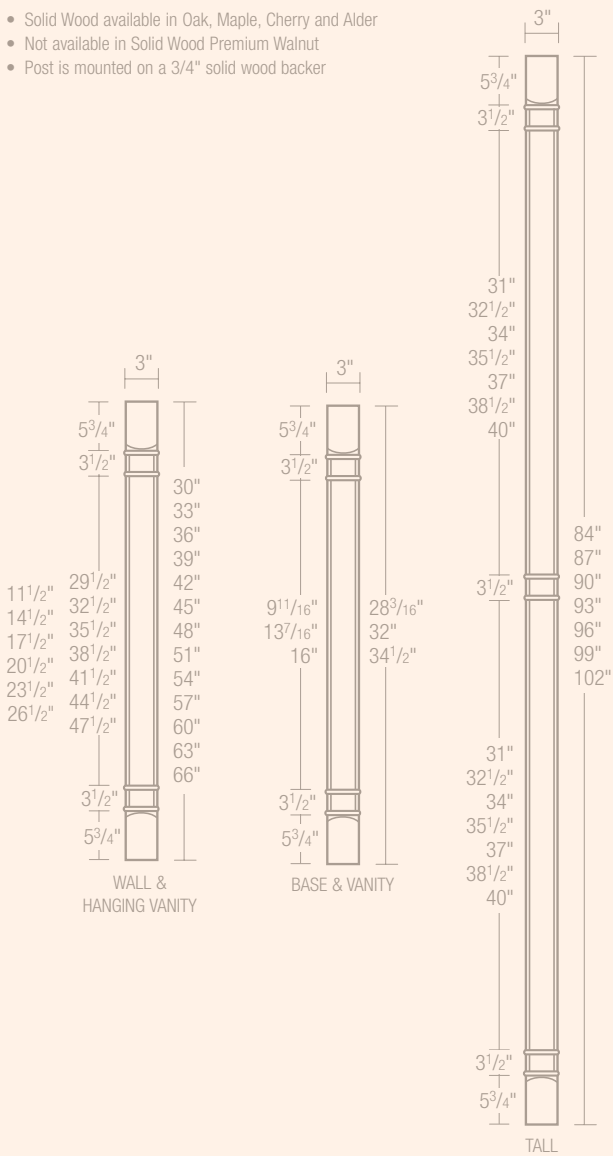


# Mouldings : Pilasters

## 3" Turned Half Posts – Round

Solid Wood		Solid Wood	
<b>Wall and Hanging Vanity</b>			
HPR330	303	HPR328	351
HPR333	315	HPR332	368
HPR336	327	HPR334	376
HPR339	339		
HPR342	351		
HPR345	364		
HPR348	376		
HPR351	387		
HPR354	398		
HPR357	411		
HPR360	422		
HPR363	432		
HPR366	443		
<b>Base and Vanity</b>			
HPR384	594		
HPR387	607		
HPR390	618		
HPR393	631		
HPR396	636		
HPR399	641		
HPR3102	678		
<b>Tall</b>			

- Solid Wood available in Oak, Maple, Cherry and Alder
- Not available in Solid Wood Premium Walnut
- Post is mounted on a 3/4" solid wood backer

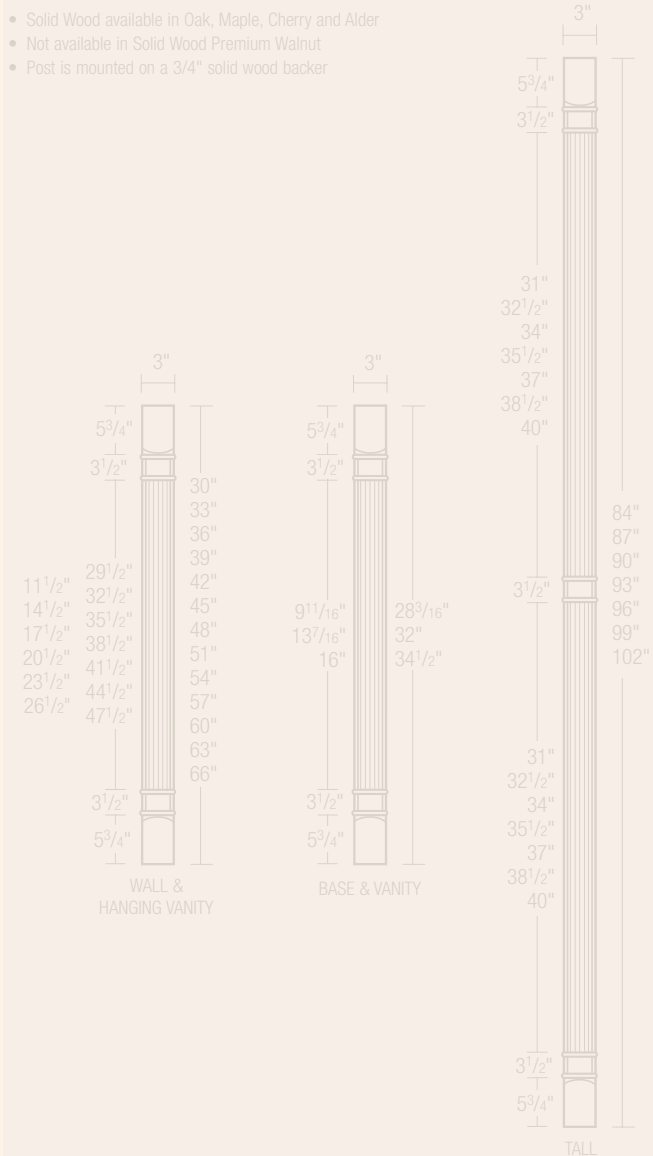


## DISCONTINUED

### 3" Turned Half Posts – Reeded

Solid Wood		Solid Wood	
<b>Wall and Hanging Vanity</b>			
HPRR330	303	HPRR328	351
HPRR333	315	HPRR332	368
HPRR336	327	HPRR334	376
HPRR339	339		
HPRR342	351		
HPRR345	364		
HPRR348	376		
HPRR351	387		
HPRR354	398		
HPRR357	411		
HPRR360	422		
HPRR363	432		
HPRR366	443		
<b>Base and Vanity</b>			
HPRR384	594		
HPRR387	607		
HPRR390	618		
HPRR393	631		
HPRR396	636		
HPRR399	641		
HPRR3102	678		
<b>Tall</b>			

- Solid Wood available in Oak, Maple, Cherry and Alder
- Not available in Solid Wood Premium Walnut
- Post is mounted on a 3/4" solid wood backer

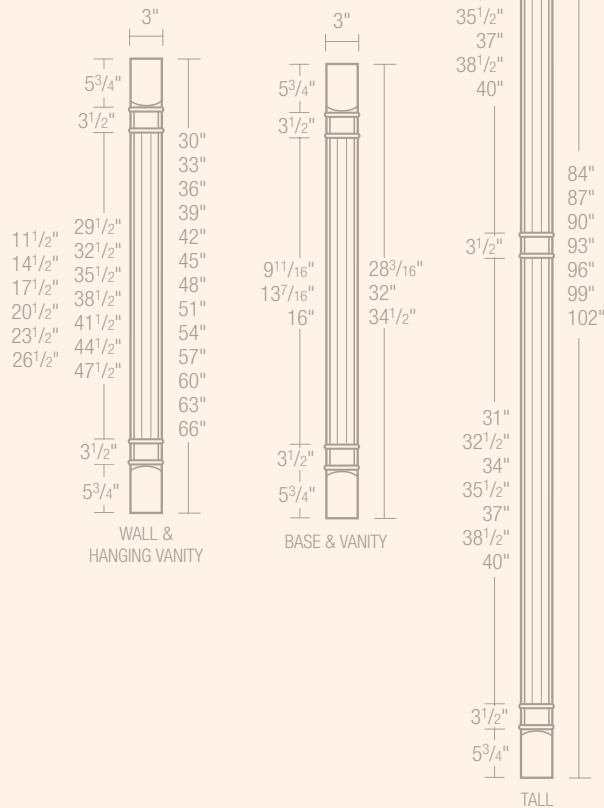




# Mouldings : Pilasters

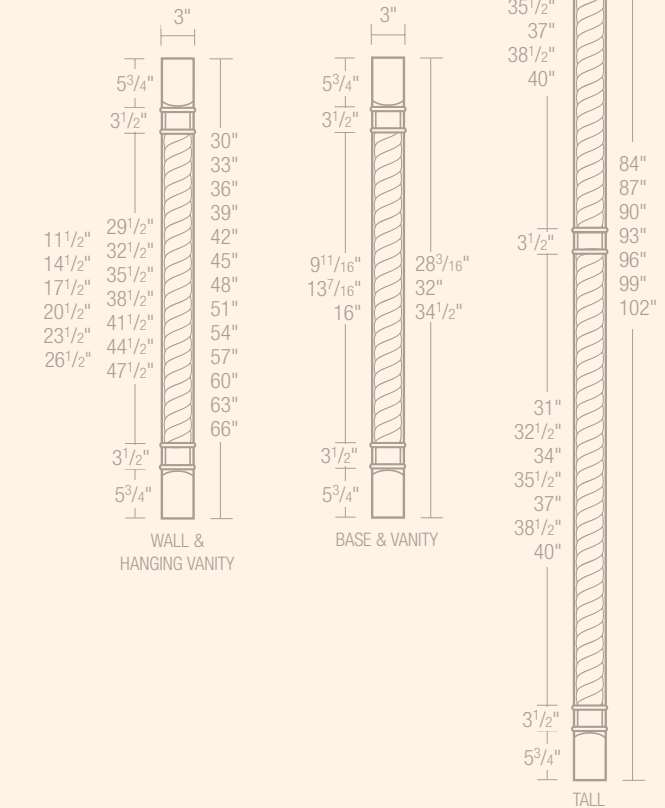
3" Turned Half Posts – Fluted		3" Turned Half Posts – Fluted	
	Solid Wood		Solid Wood
<b>Wall and Hanging Vanity</b>		<b>Base and Vanity</b>	
HPRF330	303	HPRF328	351
HPRF333	315	HPRF332	368
HPRF336	327	HPRF334	376
HPRF339	339		
HPRF342	351	<b>Tall</b>	
HPRF345	364	HPRF384	594
HPRF348	376	HPRF387	607
HPRF351	387	HPRF390	618
HPRF354	398	HPRF393	631
HPRF357	411	HPRF396	636
HPRF360	422	HPRF399	641
HPRF363	432	HPRF3102	678
HPRF366	443		

- Solid Wood available in Oak, Maple, Cherry and Alder
- Not available in Solid Wood Premium Walnut
- Post is mounted on a 3/4" solid wood backer

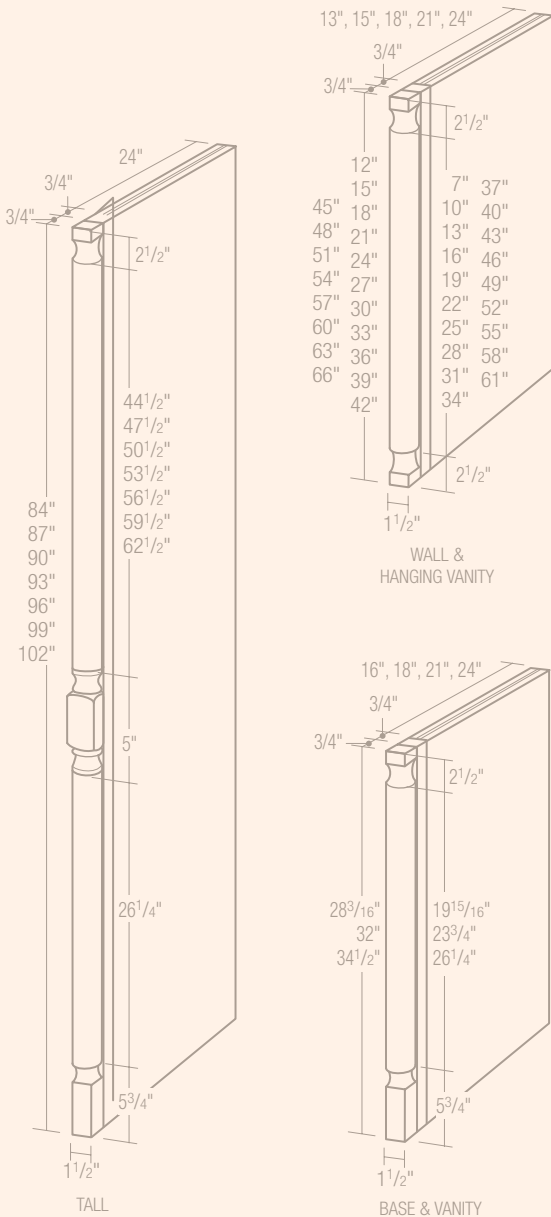


3" Turned Half Posts – Rope		3" Turned Half Posts – Rope	
	Solid Wood		Solid Wood
<b>Wall and Hanging Vanity</b>		<b>Base and Vanity</b>	
HPRP330	422	HPRP328	458
HPRP333	444	HPRP332	495
HPRP336	464	HPRP334	506
HPRP339	488		
HPRP342	511	<b>Tall</b>	
HPRP345	535	HPRP384	869
HPRP348	559	HPRP387	893
HPRP351	583	HPRP390	916
HPRP354	607	HPRP393	940
HPRP357	631	HPRP396	958
HPRP360	655	HPRP399	975
HPRP363	678	HPRP3102	1040
HPRP366	702		

- Solid Wood available in Oak, Maple, Cherry and Alder
- Not available in Solid Wood Premium Walnut
- Post is mounted on a 3/4" solid wood backer



# Mouldings : Pilasters

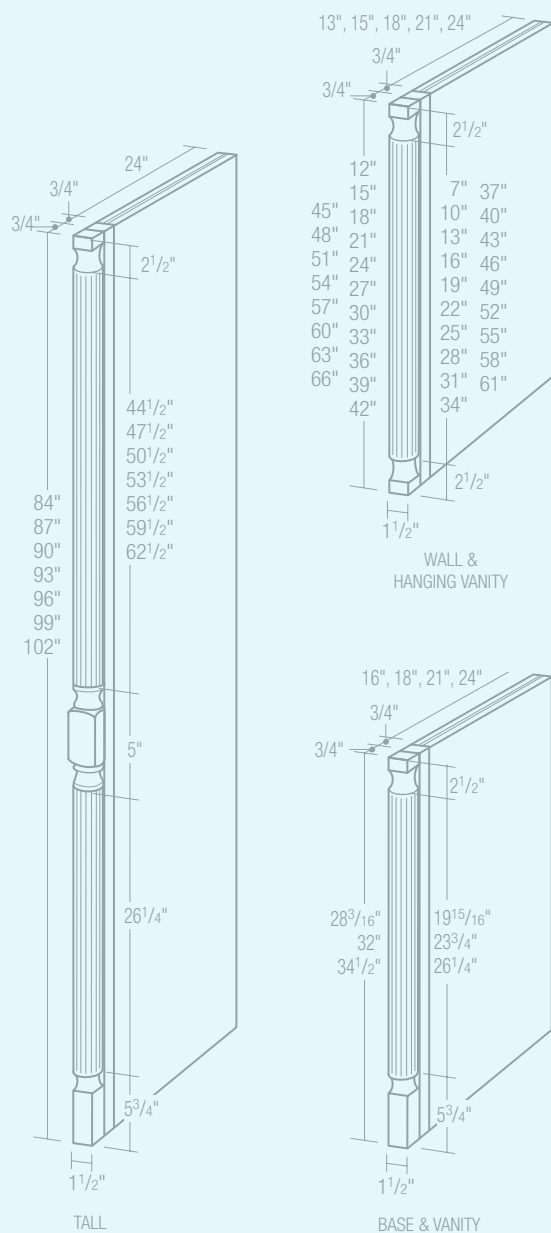


## 1 1/2" Turned Half Post Columns – Round

	Solid Wood	Solid Wood	
<b>Wall and Hanging Vanity</b>		<b>Base and Vanity</b>	
HPRCLM12	437	HPRCLM28	721
HPRCLM15	463	HPRCLM28-21	677
HPRCLM18	479	HPRCLM32-15	659
HPRCLM21	506	HPRCLM32-18	674
HPRCLM24	520	HPRCLM32-21	718
HPRCLM27	538	HPRCLM34	765
HPRCLM30	564	HPRCLM34-15	701
HPRCLM33	586	HPRCLM34-18	718
HPRCLM36	607	HPRCLM34-21	740
HPRCLM39	624		
HPRCLM42	641	<b>Tall</b>	
HPRCLM45	663	HPRCLM1384	1546
HPRCLM48	685	HPRCLM2484	1678
HPRCLM51	708	HPRCLM1387	1579
HPRCLM54	730	HPRCLM2487	1734
HPRCLM57	748	HPRCLM1390	1613
HPRCLM60	778	HPRCLM2490	1790
HPRCLM63	808	HPRCLM1393	1644
HPRCLM66	838	HPRCLM2493	1844
HPRCLM12-15	473	HPRCLM1396	1668
HPRCLM15-15	502	HPRCLM2496	1882
HPRCLM18-15	520	HPRCLM1399	2096
HPRCLM21-15	552	HPRCLM2499	2309
HPRCLM24-15	571	HPRCLM13102	2637
HPRCLM24-18	615	HPRCLM24102	3097
HPRCLM24-21	661		
HPRCLM24-24	703		
HPRCLM27-15	591		
HPRCLM30-15	621		
HPRCLM33-15	646		
HPRCLM36-15	670		
HPRCLM39-15	690		
HPRCLM42-15	710		
HPRCLM45-15	739		
HPRCLM48-15	768		
HPRCLM51-15	795		
HPRCLM54-15	822		
HPRCLM57-15	856		
HPRCLM60-15	888		
HPRCLM63-15	921		
HPRCLM66-15	953		

- Solid Wood available in Oak, Maple, Cherry and Alder
- Not available in Solid Wood Premium Walnut
- Finished Ends standard

# Mouldings : Pilasters

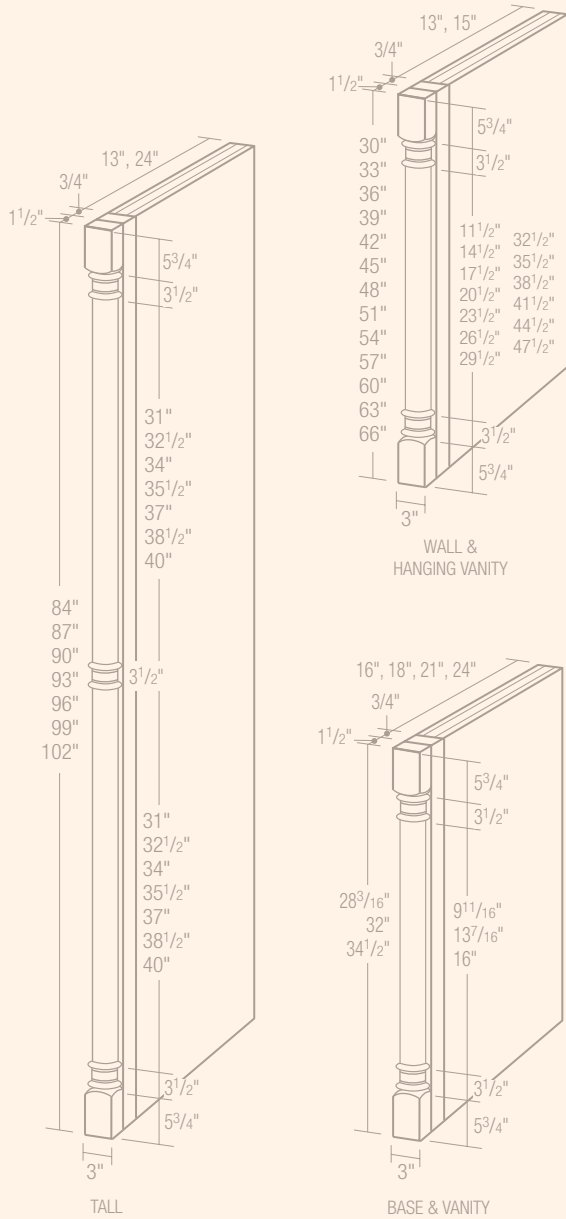


## 1 1/2" Turned Half Post Columns – Reeded

	Solid Wood	Solid Wood	
<b>Wall and Hanging Vanity</b>		<b>Base and Vanity</b>	
HPRRCLM12	437	HPRRCLM28	721
HPRRCLM15	463	HPRRCLM28-21	677
HPRRCLM18	479	HPRRCLM32-15	659
HPRRCLM21	506	HPRRCLM32-18	674
HPRRCLM24	520	HPRRCLM32-21	718
HPRRCLM27	538	HPRRCLM34	765
HPRRCLM30	564	HPRRCLM34-15	701
HPRRCLM33	586	HPRRCLM34-18	718
HPRRCLM36	607	HPRRCLM34-21	740
HPRRCLM39	624		
HPRRCLM42	641	<b>Tall</b>	
HPRRCLM45	663	HPRRCLM1384	1546
HPRRCLM48	685	HPRRCLM2484	1678
HPRRCLM51	708	HPRRCLM1387	1579
HPRRCLM54	730	HPRRCLM2487	1734
HPRRCLM57	748	HPRRCLM1390	1613
HPRRCLM60	778	HPRRCLM2490	1790
HPRRCLM63	808	HPRRCLM1393	1644
HPRRCLM66	838	HPRRCLM2493	1844
HPRRCLM12-15	473	HPRRCLM1396	1668
HPRRCLM15-15	502	HPRRCLM2496	1882
HPRRCLM18-15	520	HPRRCLM1399	2096
HPRRCLM21-15	552	HPRRCLM2499	2309
HPRRCLM24-15	571	HPRRCLM13102	2637
HPRRCLM24-18	615	HPRRCLM24102	3097
HPRRCLM24-21	661		
HPRRCLM24-24	703		
HPRRCLM27-15	591		
HPRRCLM30-15	621		
HPRRCLM33-15	646		
HPRRCLM36-15	670		
HPRRCLM39-15	690		
HPRRCLM42-15	710		
HPRRCLM45-15	739		
HPRRCLM48-15	768		
HPRRCLM51-15	795		
HPRRCLM54-15	822		
HPRRCLM57-15	856		
HPRRCLM60-15	888		
HPRRCLM63-15	921		
HPRRCLM66-15	953		

- Solid Wood available in Oak, Maple, Cherry and Alder
- Not available in Solid Wood Premium Walnut
- Finished Ends standard

# Mouldings : Pilasters

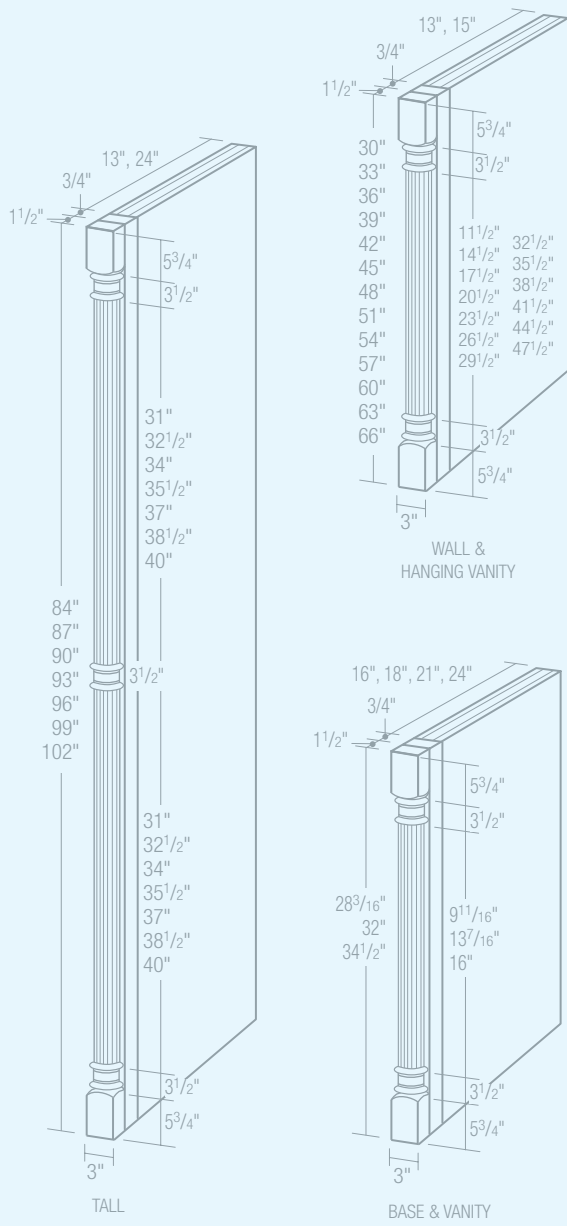


## 3" Turned Half Post Columns – Round

	Solid Wood	Solid Wood	
<b>Wall and Hanging Vanity</b>		<b>Base and Vanity</b>	
HPRCLM330	655	HPRCLM328	976
HPRCLM333	678	HPRCLM328-21	1053
HPRCLM336	702	HPRCLM332-15	852
HPRCLM339	725	HPRCLM332-18	958
HPRCLM342	744	HPRCLM332-21	1035
HPRCLM345	768	HPRCLM334	798
HPRCLM348	793	HPRCLM334-15	981
HPRCLM351	708	HPRCLM334-18	940
HPRCLM354	827	HPRCLM334-21	981
HPRCLM357	844		
HPRCLM360	875	<b>Tall</b>	
HPRCLM363	906	HPRCLM31384	1869
HPRCLM366	937	HPRCLM32484	2028
HPRCLM330-15	725	HPRCLM31387	1907
HPRCLM333-15	752	HPRCLM32487	2092
HPRCLM336-15	779	HPRCLM31390	1945
HPRCLM339-15	803	HPRCLM32490	2154
HPRCLM342-15	827	HPRCLM31393	1982
HPRCLM345-15	860	HPRCLM32493	2219
HPRCLM348-15	893	HPRCLM31396	2004
HPRCLM351-15	914	HPRCLM32496	2262
HPRCLM354-15	934	HPRCLM31399	2027
HPRCLM357-15	976	HPRCLM32499	2303
HPRCLM360-15	1006	HPRCLM313102	2695
HPRCLM363-15	1036	HPRCLM324102	3221
HPRCLM366-15	1066		

- Solid Wood available in Oak, Maple, Cherry and Alder
- Not available in Solid Wood Premium Walnut
- Finished Ends standard

# Mouldings : Pilasters

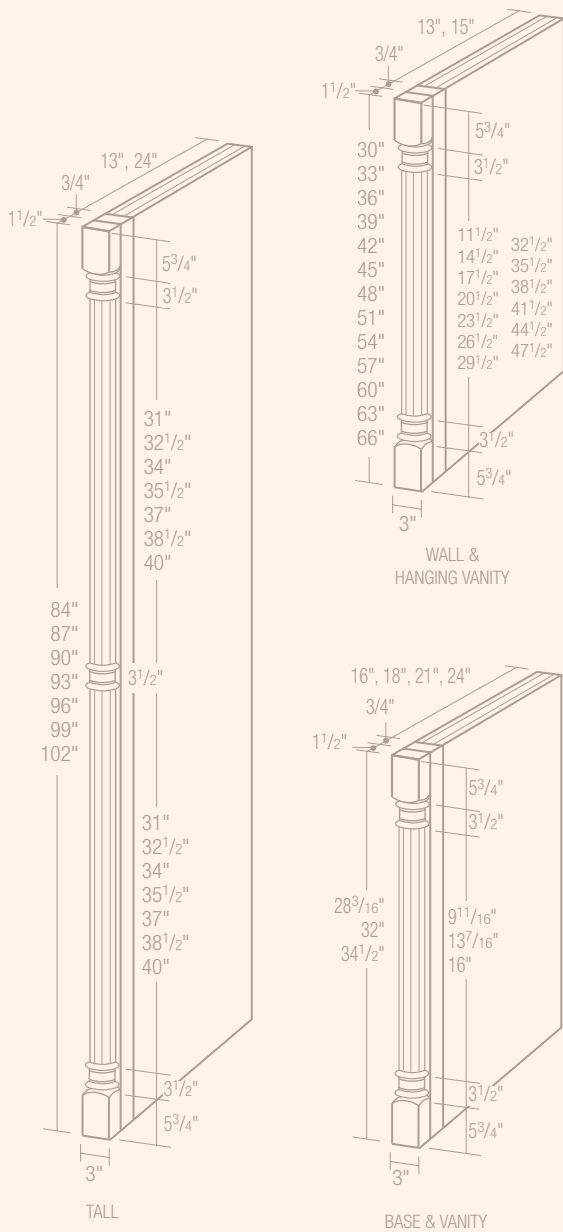


## 3" Turned Half Post Columns – Reeded

	Solid Wood	Solid Wood	
<b>Wall and Hanging Vanity</b>		<b>Base and Vanity</b>	
HPRRCLM330	655	HPRRCLM328	976
HPRRCLM333	678	HPRRCLM328-21	1053
HPRRCLM336	702	HPRRCLM332-15	852
HPRRCLM339	725	HPRRCLM332-18	958
HPRRCLM342	744	HPRRCLM332-21	1022
HPRRCLM345	768	HPRRCLM334	798
HPRRCLM348	793	HPRRCLM334-15	940
HPRRCLM351	810	HPRRCLM334-18	981
HPRRCLM354	827	HPRRCLM334-21	1035
HPRRCLM357	844		
HPRRCLM360	875	<b>Tall</b>	
HPRRCLM363	906	HPRRCLM31384	1869
HPRRCLM366	937	HPRRCLM32484	2028
HPRRCLM330-15	725	HPRRCLM31387	1907
HPRRCLM333-15	752	HPRRCLM32487	2092
HPRRCLM336-15	779	HPRRCLM31390	1945
HPRRCLM339-15	803	HPRRCLM32490	2154
HPRRCLM342-15	827	HPRRCLM31393	1982
HPRRCLM345-15	860	HPRRCLM32493	2219
HPRRCLM348-15	893	HPRRCLM31396	2004
HPRRCLM351-15	914	HPRRCLM32496	2262
HPRRCLM354-15	934	HPRRCLM31399	2027
HPRRCLM357-15	976	HPRRCLM32499	2303
HPRRCLM360-15	1006	HPRRCLM313102	2695
HPRRCLM363-15	1036	HPRRCLM324102	3221
HPRRCLM366-15	1066		

- Solid Wood available in Oak, Maple, Cherry and Alder
- Not available in Solid Wood Premium Walnut
- Finished Ends standard

# Mouldings : Pilasters

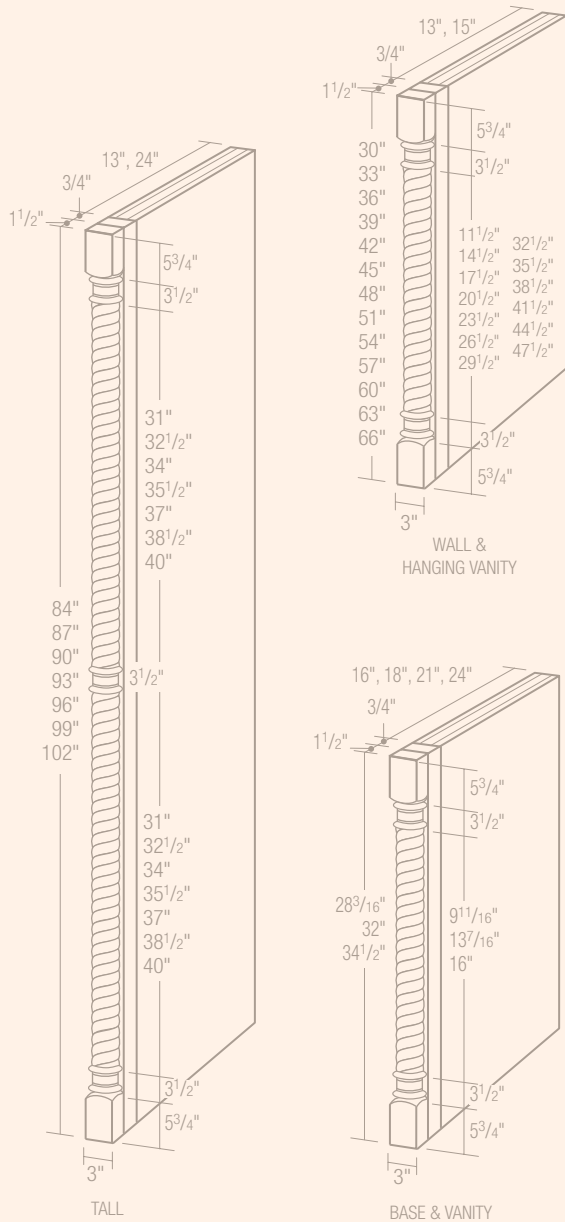


## 3" Turned Half Post Columns – Fluted

	Solid Wood	Solid Wood	
<b>Wall and Hanging Vanity</b>		<b>Base and Vanity</b>	
HPRFCLM330	655	HPRFCLM328	976
HPRFCLM333	678	HPRFCLM328-21	1053
HPRFCLM336	702	HPRFCLM332-15	852
HPRFCLM339	725	HPRFCLM332-18	958
HPRFCLM342	744	HPRFCLM332-21	1022
HPRFCLM345	768	HPRFCLM334	798
HPRFCLM348	793	HPRFCLM334-15	940
HPRFCLM351	810	HPRFCLM334-18	981
HPRFCLM354	827	HPRFCLM334-21	1035
HPRFCLM357	844		
HPRFCLM360	875	<b>Tall</b>	
HPRFCLM363	906	HPRFCLM31384	1869
HPRFCLM366	937	HPRFCLM32484	2028
HPRFCLM330-15	725	HPRFCLM31387	1907
HPRFCLM333-15	752	HPRFCLM32487	2092
HPRFCLM336-15	779	HPRFCLM31390	1945
HPRFCLM339-15	803	HPRFCLM32490	2154
HPRFCLM342-15	827	HPRFCLM31393	1982
HPRFCLM345-15	860	HPRFCLM32493	2219
HPRFCLM348-15	893	HPRFCLM31396	2004
HPRFCLM351-15	914	HPRFCLM32496	2262
HPRFCLM354-15	934	HPRFCLM31399	2135
HPRFCLM357-15	976	HPRFCLM32499	2412
HPRFCLM360-15	1006	HPRFCLM313102	2808
HPRFCLM363-15	1036	HPRFCLM324102	3346
HPRFCLM366-15	1066		

- Solid Wood available in Oak, Maple, Cherry and Alder
- Not available in Solid Wood Premium Walnut
- Finished Ends standard

# Mouldings : Pilasters



## 3" Turned Half Post Columns – Rope

	Solid Wood	Solid Wood
--	------------	------------

### Wall and Hanging Vanity

HPRPCLM330	774
HPRPCLM333	806
HPRPCLM336	838
HPRPCLM339	875
HPRPCLM342	904
HPRPCLM345	939
HPRPCLM348	976
HPRPCLM351	1006
HPRPCLM354	1035
HPRPCLM357	1065
HPRPCLM360	1107
HPRPCLM363	1148
HPRPCLM366	1190
HPRPCLM330-15	844
HPRPCLM333-15	880
HPRPCLM336-15	916
HPRPCLM339-15	952
HPRPCLM342-15	988
HPRPCLM345-15	1032
HPRPCLM348-15	1076
HPRPCLM351-15	1009
HPRPCLM354-15	1142
HPRPCLM357-15	1196
HPRPCLM360-15	1238
HPRPCLM363-15	1281
HPRPCLM366-15	1324

### Base and Vanity

HPRPCLM328	1083
HPRPCLM328-21	1161
HPRPCLM332-15	1161
HPRPCLM332-18	976
HPRPCLM332-21	1083
HPRPCLM334	929
HPRPCLM334-15	1112
HPRPCLM334-18	1071
HPRPCLM334-21	1112

### Tall

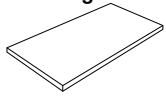
HPRPCLM31384	2141
HPRPCLM32484	2302
HPRPCLM31387	2192
HPRPCLM32487	2377
HPRPCLM31390	2243
HPRPCLM32490	2452
HPRPCLM31393	2291
HPRPCLM32493	2529
HPRPCLM31396	2326
HPRPCLM32496	2582
HPRPCLM31399	2470
HPRPCLM32499	2743
HPRPCLM313102	3153
HPRPCLM324102	3721

- Solid Wood available in Oak, Maple, Cherry and Alder
- Not available in Solid Wood Premium Walnut
- Finished Ends standard

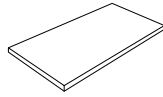
# Table of Contents – Accessories

Click on any item to jump to that item's first page.

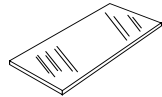
## Shelving



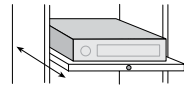
Veneer Variable Edge Shelf Kit  
sku ex: V3SKT1513V



Shelf Kit  
sku ex: 3SKT1513, SHELF3/4

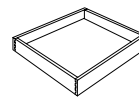


Glass Shelf Kit  
sku ex: 2GSK12M

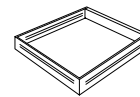


Electronics Pull-out Shelves  
sku ex: EPOS

## Pull-outs

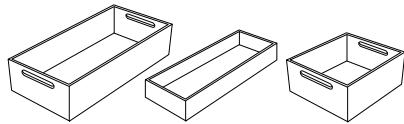


Wood Dovetail Pull-outs  
sku ex: DOVEP012

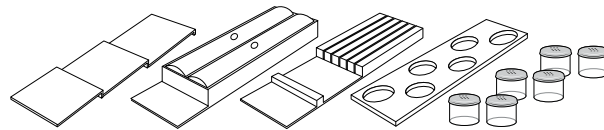


Metal Pull-outs  
sku ex: LGBXP012L

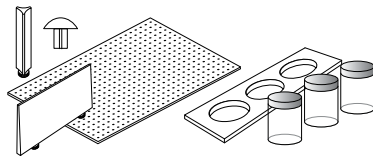
## Drawer Organization



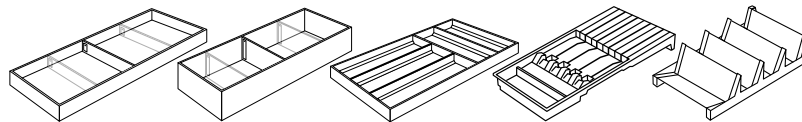
Fineline MOVE Inserts  
sku ex: FINEBOX8164, FINECUTBOX4112, FINEBOX884



Fineline Cutlery Trays w/Accessories  
sku ex: SPICEINSERT, ROLLHOLDER, KNIFEBLOCK, SMCONTAINERS



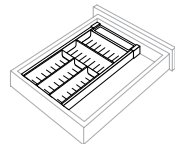
Fineline Pegboard System  
sku ex: PEGBOARD, LGCONTAINERGLS



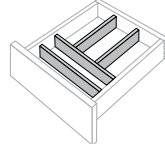
Blum Metal Drawer Inserts  
sku ex: LEGRAUTENSILWD, LEGRADEEPINSERT, LEGRAFLATWARE, LEGRAKNIFEHOLD, LEGRASPICETRAY



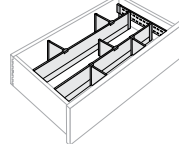
Non-Slip Mat  
sku ex: DRAWERMATGRY



Stainless Steel Dividers  
sku ex: DWRSSD11



Dovetail Cutlery Insert  
sku ex: DWRCDD18DT



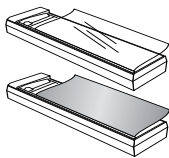
Deep Drawer Dividers  
sku ex: DDD30



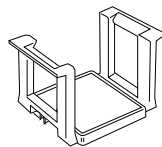
Wood Knife Block  
sku ex: WKB24



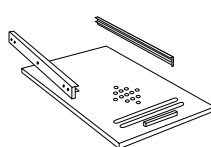
K-Cup Insert  
sku ex: KCUPINSERT18



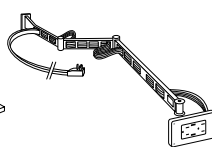
Blum Wrap/Foil Dispenser  
sku ex: BLUMPWD, BLUMAFD



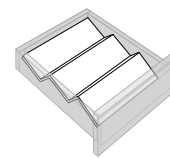
Convertible Plate Holder  
sku ex: CPH



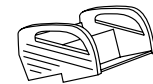
Bread Bin  
sku ex: BREADBIN21



Charging Drawer Unit  
sku ex: CHARGINGUNIT

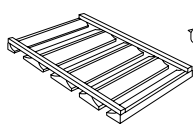


Spice Tray  
sku ex: SPICETRY1

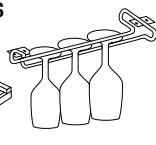


Orga Line Spice Tray  
sku ex: SPICEORGA

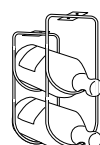
## Wine Accessories



Wine Glass Holder  
sku ex: WWGH



Stemware Rack  
sku ex: CHWGH

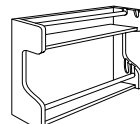


Bottle Rack  
sku ex: CHBOTTLE

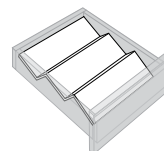
## Spice Accessories



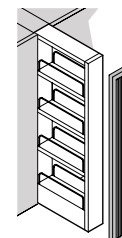
Orga Line Spice Tray  
sku ex: SPICEORGA



Spice Rack  
sku ex: SPRK15



Spice Tray  
sku ex: SPICETRY1



Pull-out Organizer  
sku ex: WPO336

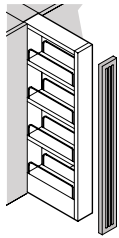
continued >>>



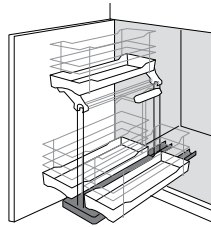
# Table of Contents – Accessories

Click on any item to jump to that item's first page.

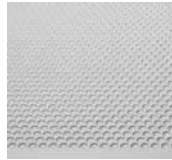
## Cabinet Organization



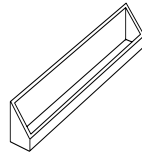
Pull-out Organizer  
sku ex: WPO336



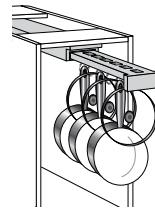
Kessebohmer Sink Caddy  
sku ex: SBCADDY3



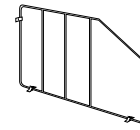
Sink Mat Kit  
sku ex: SINKMAT



Tilt-out Tray  
sku ex: TILT-24S

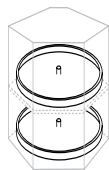


Glideware  
Pots-&-Pans Rack  
GLIDEWAREGRY

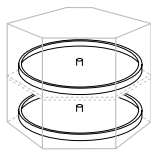


Tray Divider Kit  
sku ex: CH TBKIT12

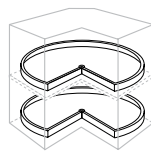
## Lazy Susans



Wood Shelf-Mounted  
Wall Susan  
sku ex: 18FRSUSAN

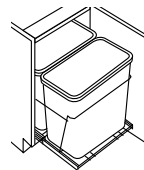


Wood Shelf-Mounted  
Base Susan  
sku ex: 28FRSUSAN



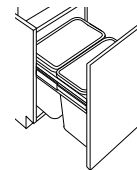
Wood Shelf-Mounted  
Pie-Cut Susan  
sku ex: 28KIDSUSAN

## Recycle Bins

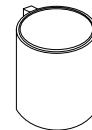


Recycle Bins  
sku ex: RECBIN

## Waste Baskets

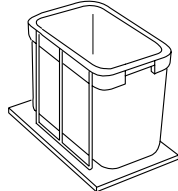


Hanging Waste Basket  
sku ex: WBHANG18

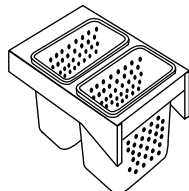


Trash Can  
sku ex: TRASHCAN

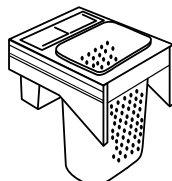
## Hampers



Vanity Hamper  
sku ex: HAMPER

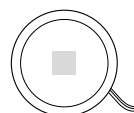


Hanging Base Hamper  
sku ex: HAMPER45

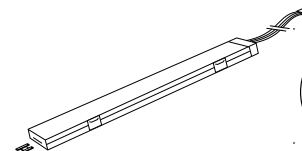


Hanging Vanity Hamper  
sku ex: HAMPER45S

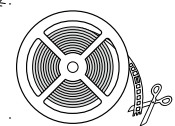
## Lighting



PowerPockit LED  
Puck Light System  
sku ex: LED3WCOOL



SimpLED  
Light Bar System  
sku ex: LEDBARWCOOL8

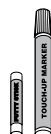


LED Flex  
Tape System  
sku ex: LEDTAPECOOL

## Touch Up



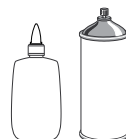
Wood Stain/ Paint/ Glaze  
sku ex: STAIN, PAINT, GLAZE



Touch Up Kit  
sku ex: TUK



Touch Up Spray Can  
sku ex: SPRAY CAN



Mitrebond Joint Cement  
sku ex: MITREBOND

## Hardware

- Drawer and Pull-out Hardware
- Installation Hardware
- Door Accessories and Hinges
- Soft-Close Mechanisms
- Touch Latches
- Shelf Hardware
- Kessebohmer Hardware
- Lighting Extension Cord
- Heat Shields

<<< continued

# Accessories : Base Pedestal, Field Installed

## Metal Base Pedestal

Aluminum Base Pedestal		
	24" Deep and Under	Over 24" Deep
Base Price	540	1160
Square Foot Price	52	52
Intermediate Leg Charge	217	217

Stainless Steel Base Pedestal		
	24" Deep and Under	Over 24" Deep
Base Price	540	1160
Square Foot Price	79	79
Intermediate Leg Charge	217	217

The Metal Base Pedestal, constructed of 1 3/16" tubing (30mm), is designed to support cabinets without toekicks for a contemporary look. It is suitable for both island and perimeter cabinet applications and can be custom modified within the following design constraints:

### Design Constraints and Considerations

A drawing must accompany each order for the Metal Base Platform. Please make sure to include all dimensions and take care in considering the following items:

#### Construction Dimensions

**Height** – Minimum 4 1/4"; Maximum 12"

**Depth** – Minimum 9"; Maximum 50"

**Width** – Minimum 9"; Maximum 132"

**Distance between Legs** – Minimum 9"; Maximum 34 13/16"

### Leg Placement

The distance between legs is measured from the outside of the corner leg to the midline of the intermediary leg. Distance between two Intermediary legs is from midline to midline.

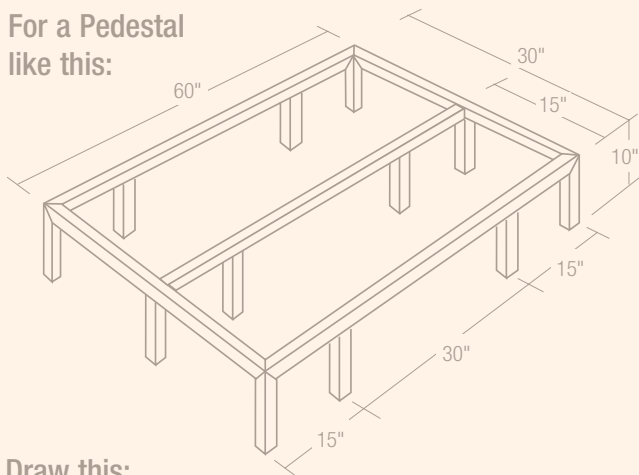
### Cross Rail Placement

For platforms greater than 24" deep, a cross rail is added for support. This rail can be positioned at any location from front to back, but must be at least 9" from either the front or back rail. The distance is measured from the front of the platform to the midline of the cross rail. Additionally, the cross rail must have the same number of intermediary legs as the front and back rails and these must be included in your pricing.

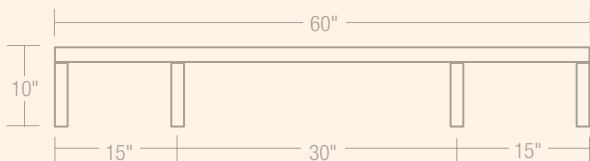
Nomenclature for the Metal Base Platform is MBP followed by its finish, width, depth and the number of intermediary legs. For example, the sample drawing below would be ordered as MBPS6030-6.

## Metal Base Pedestal List Price Worksheet

For a Pedestal like this:



Draw this:



### And include this information:

Depth = 30"

Cross Rail = 15" (from front to midline)

Finish = Stainless Steel

### Pedestal Pricing Example:

#### Step 1 Determine your Base Price

If your pedestal is 24" deep or less enter \$540

if your pedestal is over 24" deep enter \$1160

enter that figure in Box A ..... Box A 1160

#### Step 2 Determine your Square Foot Charge

Multiply your depth times your width and divide the sum by 144 = 12.5

For aluminum bases, multiply the square footage by \$52

For stainless steel, multiply the square footage by \$79

Enter your figure in Box B ..... Box B 987

#### Step 3 Determine your Intermediate Leg Charge

Add the total number of intermediary legs in your design (8)

and multiply by \$217 Do not include corner legs.

Enter your figure in Box C ..... Box C 1736

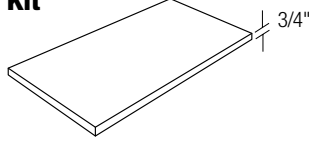
#### Step 4 Determine your total LIST price.

Add boxes A, B and C and enter your price in Box D. .... Box D 3883

Consult your Customer Service Representative if you have any questions.

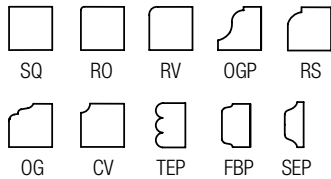
# Accessories : Shelves, Field Installed

## 3/4" Veneer Variable Edge Shelf Kit



- Available in Wood only
- Not available in Deluxe Veneers
- TEP not available in Red Birch or Alder
- OGP, FBP, TEP, SEP not available in Walnut
- Must specify edge profile
- Each kit includes three shelves and twelve metal shelf clips

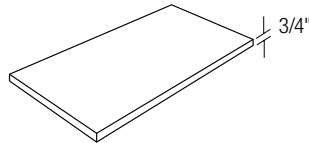
### AVAILABLE SHELF EDGE PROFILES



SKU	Price
V3SKT1513V	330
V3SKT1524V	445
V3SKT1813V	363
V3SKT1824V	500
V3SKT2113V	395
V3SKT2124V	555
V3SKT2413V	426
V3SKT2424V	609
V3SKT2713V	459
V3SKT2724V	664
V3SKT3013V	492
V3SKT3024V	719
V3SKT3313V	524
V3SKT3324V	774
V3SKT3613V	556
V3SKT3624V	828

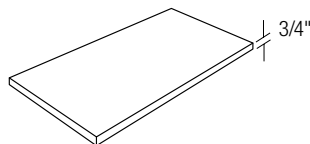
## 3/4" Shelf Kit

- Each kit includes three shelves and twelve metal shelf clips
- Edgebanded front



	Melamine	Eurotek	Textured Melamine	Standard Thermofoil	Premium Thermofoil	Wood Veneer	Wood Veneer Premium	Laminate For Metal	UltraLux
3SKT1513	152	152	206	206	442	250	325	330	417
3SKT1524	171	171	277	277	689	365	475	528	697
3SKT1813	157	157	220	220	492	273	355	369	473
3SKT1824	178	178	305	305	787	412	536	605	808
3SKT2113	160	160	234	234	541	298	387	409	529
3SKT2124	186	186	335	335	887	456	593	684	920
3SKT2413	165	165	248	248	590	321	417	449	586
3SKT2424	192	192	363	363	986	503	654	763	1032
3SKT2713	168	168	265	265	641	343	446	488	642
3SKT2724	201	201	392	392	1084	549	714	840	1143
3SKT3013	171	171	278	278	689	366	476	528	697
3SKT3024	207	207	420	420	1183	593	771	917	1255
3SKT3313	175	175	293	293	740	389	506	566	752
3SKT3324	215	215	449	449	1281	641	833	995	1367
3SKT3613	178	178	307	307	790	414	538	606	808
3SKT3624	222	222	477	477	1380	686	892	1074	1480

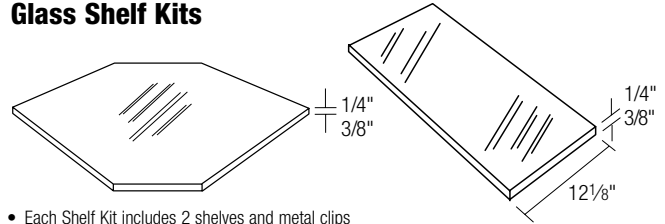
## 3/4" Melamine Shelf



SKU	Price
SHELF3/4	81

- Specify cabinet width and depth

## Glass Shelf Kits



- Each Shelf Kit includes 2 shelves and metal clips
- To determine the size of glass shelves for special cabinets, call Customer Service

### NOTICE

Please inspect all glass within 24 hours of receipt. All damage claims should be reported to (847) 289-7180 or your Customer Service Representative. Leave your name, **Acknowledgement number**, and the nature of your claim. New glass will be shipped according to Job Completion/Replacement Parts Lead Times.

### JADE GLASS – DARK GREEN EDGE

SKU	Price	SKU	Price	SKU	Price
1/4" SHELF		3/8" SHELF		DIAGONAL SHELF	
2GSK1213	316	2GSK12M	404	1/4" 2DGSK	836
2GSK1513	351	2GSK15M	464	1/4" 2D27GSK	1311
2GSK1813	390	2GSK18M	526	3/8" 2DGSKM	836
2GSK2113	430	2GSK21M	586	3/8" 2D27GSKM	1311
2GSK2413	467	2GSK24M	645		
2GSK3013	544	2GSK30M	768		
Special:		2GSK36M	889		
1/4" - per sq. ft.248		Special:			
		3/8" - per sq. ft.293			

- Special sizes and modifications not available on Diagonal Shelves
- 1/4"-thick shelves are not available 30" wide or wider

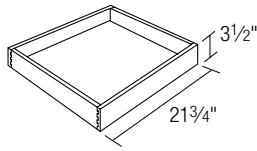
### STARFIRE GLASS – LIGHT GREEN EDGE

SKU	Price	SKU	Price	SKU	Price
1/4" SHELF		3/8" SHELF		DIAGONAL SHELF	
2GSK1213S	340	2GSK12MS	442	1/4" 2DGSKS	991
2GSK1513S	384	2GSK15MS	513	1/4" 2D27GSKS	1453
2GSK1813S	430	2GSK18MS	583	3/8" 2DGSKMS	991
2GSK2113S	475	2GSK21MS	654	3/8" 2D27GSKMS	1453
2GSK2413S	517	2GSK24MS	723		
2GSK3013S	608	2GSK30MS	863		
Special:		2GSK36MS	1005		
1/4" - per sq. ft.259		Special:			
		3/8" - per sq. ft.316			

- Special sizes and modifications not available on Diagonal Shelves
- 1/4"-thick shelves are not available 30" wide or wider

# Accessories : Pull-outs, Field Installed

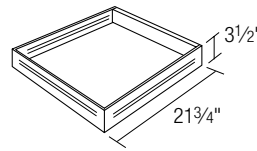
## Dovetail Pull-out with Soft Close



- Wood Dovetail sliding tray system
- All necessary hardware included
- 5/8"-thick wood sides
- For depths other than 24", 21" or 18", please specify
- Will not clear the optional 170° hinge
- Full-extension, tandem, undermount, 100# glides
- For single-door cabinets where only one spacer is needed, order sku with "L"

SKU	Birch	Walnut	SKU	Birch	Walnut	SKU	Birch	Walnut
DOVEPO12	183	238	VDP012	176	229	VDP01218	176	229
DOVEPO12L	183	238	VDP012L	176	229	VDP01218L	176	229
DOVEPO15	183	238	VDP015	176	229	VDP01518	176	229
DOVEPO15L	183	238	VDP015L	176	229	VDP01518L	176	229
DOVEPO18	188	244	VDP018	183	238	VDP01818	183	238
DOVEPO18L	188	244	VDP018L	183	238	VDP01818L	183	238
DOVEPO21	188	244	VDP021	183	238	VDP02118	183	238
DOVEPO21L	188	244	VDP021L	183	238	VDP02118L	183	238
DOVEPO24	194	252	VDP024	188	244	VDP02418	188	244
DOVEPO24L	194	252	VDP024L	188	244	VDP02418L	188	244
DOVEPO27	203	264	VDP027	194	252	VDP02718	194	252
DOVEPO30	203	264	VDP030	194	252	VDP03018	194	252
DOVEPO33	210	273	VDP033	203	264	VDP03318	203	264
DOVEPO36	210	273	VDP036	203	264	VDP03618	203	264

## Metal Pull-out



- Blum Legrabox sides and front are fingerprintless metal with stainless steel look; bottom and back are 5/8"-thick grey melamine
- Soft Close Glide: built-in, full-extension, undermount with 88-pound dynamic-load rating
- All necessary hardware included
- For depths other than 24", 21" or 18", please specify; not available less than 15" deep
- Will not clear the optional 170° hinge
- For single-door cabinets where only one spacer is needed, order sku with "L"

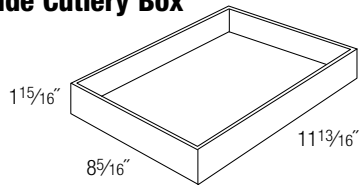
SKU	Price	SKU	Price	SKU	Price
LGBXP012L	262	VLGBXP012L	256	VLGBXP01218L	256
LGBXP015L	262	VLGBXP015L	256	VLGBXP01518L	256
LGBXP018L	268	VLGBXP018L	262	VLGBXP01818L	262
LGBXP021L	268	VLGBXP021L	262	VLGBXP02118L	262
LGBXP024	275	VLGBXP024	268	VLGBXP02418	268
LGBXP024L	275	VLGBXP024L	268	VLGBXP02418L	268
LGBXP027	284	VLGBXP027	275	VLGBXP02718	275
LGBXP030	284	VLGBXP030	275	VLGBXP03018	275
LGBXP033	289	VLGBXP033	284	VLGBXP03318	284
LGBXP036	289	VLGBXP036	284	VLGBXP03618	284

# Accessories : Drawer Organization

## Fineline MOVE Inserts

Combine modular trays and boxes to customize drawer organization.

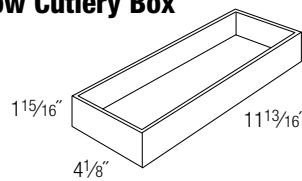
### Wide Cutlery Box



SKU	Price
FINECUTBOX8112	58

- Birch in Natural finish
- Use alone or combine with other MOVE boxes and trays
- Example: 21"-deep drawer will use two of Cutlery Box 2

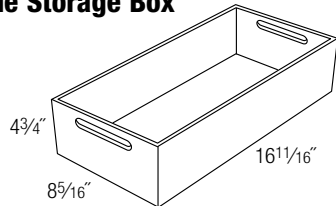
### Narrow Cutlery Box



SKU	Price
FINECUTBOX4112	42

- Birch in Natural finish
- Use alone or combine with other MOVE boxes and trays
- Example: 21"-deep drawer will use four of Cutlery Box 1

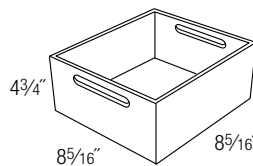
### Wide Storage Box



SKU	Price
FINEBOX8164	129

- Use alone or combine with other MOVE boxes and trays
- Birch in Natural finish
- Requires a deep drawer

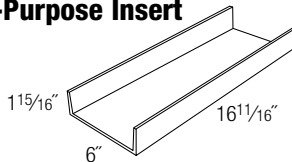
### Narrow Storage Box



SKU	Price
FINEBOX884	82

- Use alone or combine with other MOVE boxes and trays
- Birch in Natural finish
- Requires a deep drawer

### Multi-Purpose Insert



SKU	Price
FINEINSERT6162	56

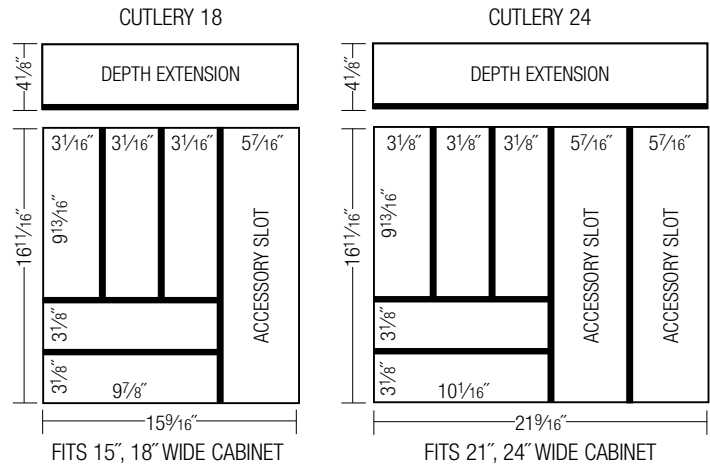
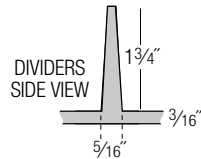
- Use alone or combine with other MOVE boxes and trays
- Can hold larger utensils or other Fineline accessories like Knife Bloce, Spice Storage or Roll Holder
- Birch in Natural finish

# Accessories : Drawer Organization

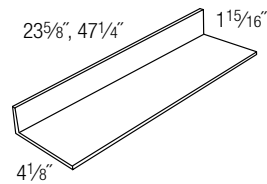
## Fineline Cutlery Trays with Accessory Insert Slots for Wood Dovetail Drawers

- For Wood Dovetail Drawer
- Fits drawer boxes in cabinets 15", 18", 21", 24", 27", 30", 33" and 36" wide for both 21" and 24" deep; use Depth Extension for 24" deep
- Will not fit 2" high drawer box
- Birch or Walnut with Natural finish
- Easily trimmed
- Patented Fineline design; tapered dividers
- See below for Fineline Accessory Inserts designed to fit into tray's accessory slots

SKU	Birch	Walnut
CUTLERY18	202	303
CUTLERY24	251	386
CUTLERY30	276	450
CUTLERY36	301	508

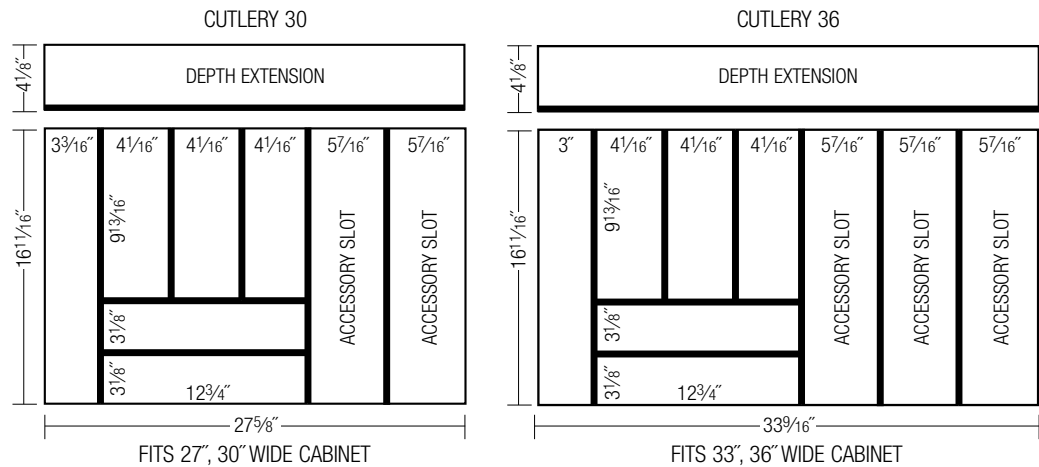


## Depth Extension Spacer



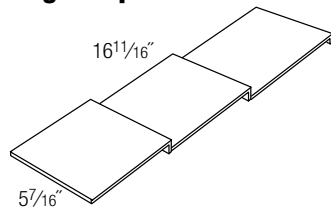
SKU	Birch	Walnut
FINEEXT24	54	85
FINEEXT48	87	147

- Birch or Walnut in Natural finish
- Optional extension spacer
- One Depth Extension Spacer ships with each Cutlery Tray order; only needed when Width Extension Spacers are used



## Fineline Cutlery Tray Accessory Inserts For the trays above

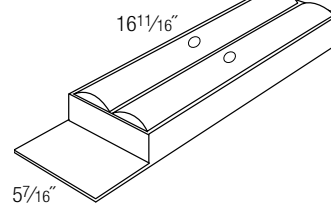
### Angled Spice Insert



SKU	Birch	Walnut
SPICEINSERT	38	70

- Comes in three pieces
- Birch or Walnut in Natural finish

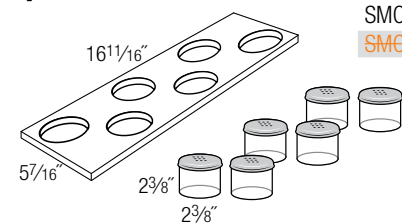
### Foil & Wrap Dispenser Insert



SKU	Birch	Walnut
ROLLHOLDER	204	308

- Birch or Walnut in Natural finish
- Holds two rolls of aluminum foil and/or plastic wrap

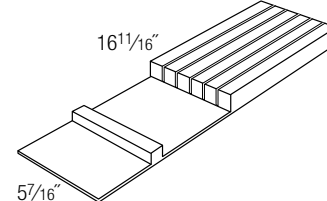
### Spice Jars & Holder Insert



SKU	Birch	Walnut
SMCONTAINERSS	389	447
SMCONTAINERGLS	430	488

- SMCONTAINERSS is a set of 6 glass jars with stainless steel lids with holes for dispensing spices and a holder in Birch or Walnut with Natural finish
- SMCONTAINERGLS is a set of 6 glass jars with glass lids and a holder in Birch with Natural finish

### Knife Block Insert



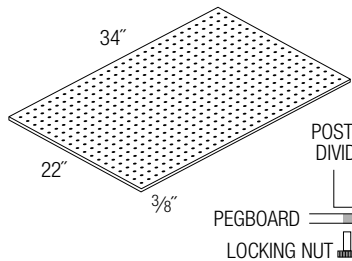
SKU	Birch	Walnut
KNIFEBLOCK	118	279

- Birch or Walnut in Natural finish
- Holds five knives

# Accessories : Drawer Organization

## Fineline Pegboard Drawer Organizer System For Deep Wood Dovetail Drawers

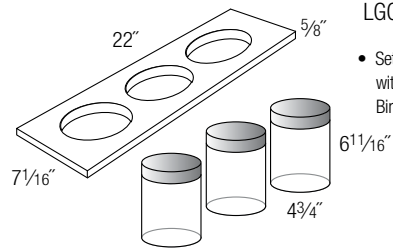
### Pegboard Drawer Organizer



SKU	Birch	Walnut
PEGBOARD	255	391

- Birch or Walnut in Natural finish
- Order Triangle Posts, Dividers and Bumpers separately

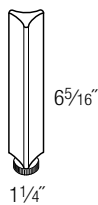
### Large Jars & Holder Insert



SKU	Birch	Walnut
LGCONTAINERGLS	224	348

- Set of 3 glass jars (capacity 1.76 qts each) with stainless steel lids and a holder in Birch or Walnut with Natural finish

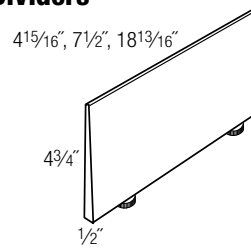
### Triangle Posts



SKU	Birch	Walnut
TRIANGLEPEGS	75	133

- Set of 4 Triangle Posts, 4 Locking Nuts and 4 Push in Pins
- Can be screwed in or pushed in
- Birch or Walnut in Natural finish
- Must be used with Pegboard Drawer Organizer

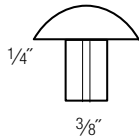
### Dividers



SKU	Birch	Walnut
DIVERSMALL	18	29
DIDERMEDIUM	24	40
DIDERLARGE	52	93

- Birch or Walnut in Natural finish
- Must be used with Pegboard Drawer Organizer

### Bumpers



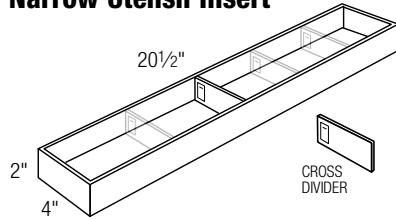
SKU	Price
ANTISLIPBUMPER	45

- Bag of 25 black, anti-slip rubber bumpers
- Must be used with Pegboard Drawer Organizer

# Accessories : Drawer Organization

## Blum Inserts for Metal Drawer with Soft Close

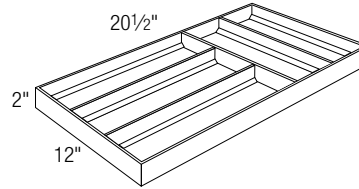
### Narrow Utensil Insert



SKU	Price
LEGRAUTENSILNR	124
CROSSDIVIDENR	32

- Steel frame
- Includes one adjustable Cross Divider
- Order additional Cross Dividers separately

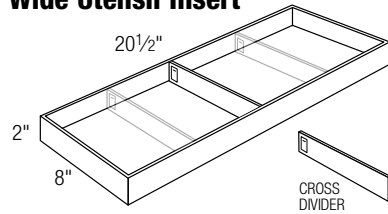
### Flatware Insert



SKU	Price
LEGRAFLATWARE	529

- Steel frame
- Coated with a soft touch, noise-dampening material

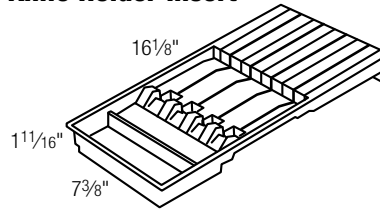
### Wide Utensil Insert



SKU	Price
LEGRAUTENSILWD	143
CROSSDIVIDEWD	38

- Steel frame
- Includes one adjustable Cross Divider
- Order additional Cross Dividers separately

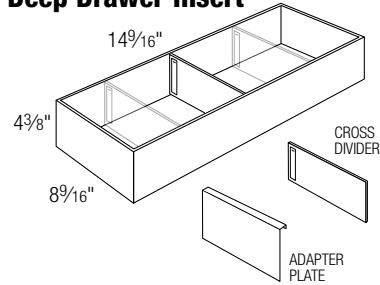
### Knife Holder Insert



SKU	Price
LEGRAKNIFEHOLD	145

- High quality nylon and stainless steel
- Holds 9 knives
- Use with Wide Utensil Insert

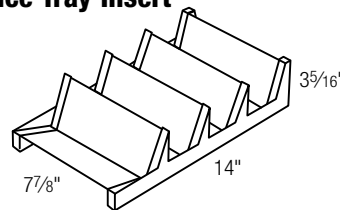
### Deep Drawer Insert



SKU	Price
LEGRADEEPIINSERT	223
CROSSDIVIDEDEEP	44
LEGRAADAPTERPLT	39

- Steel frame with magnetic back
- Includes one adjustable Cross Divider
- Order additional Cross Dividers separately
- Steel Adapter Plate covers inside of back of drawer to attract magnetic back of Deep Drawer Insert; order separately
- Non-slip rubber feet

### Spice Tray Insert

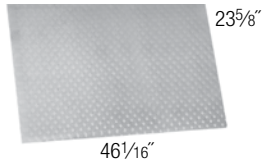


SKU	Price
LEGRASPICETRAY	207

- High quality nylon and stainless steel
- Non-slip bottom
- Use with Deep Drawer Insert

# Accessories : Drawer Organization

## Non-Slip Mat



SKU	Price
DRAWERMATGRY	76
DRAWERMATWHT	76

- Grey or White non-slip mat prevents items from sliding in drawers or on shelves and reduces noise
- Polystyrene back, rubber front
- Sold in sheets; field cut to size

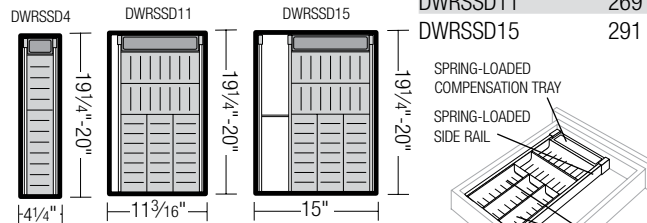
## Wood Knife Block



SKU	Price
WKB24	234

- Fits 24" deep Wood Dovetail Drawer
- 18 1/2" wide x 2 3/8" high
- Trim to fit smaller widths
- Not available in Walnut

## Stainless Steel Dividers for Wood Dovetail Drawer



SKU	Price
DWRSSD4	167
DWRSSD11	269
DWRSSD15	291

- For 24"-deep base cabinets only
- Compression fit front to back
- Can be combined; example: a 24"-wide drawer can house one DWRSSD4 and one DWRSSD15
- Drawer Box Width Dimensions: subtract 2 15/16" from cabinet width
- For Wood Dovetail Drawers only

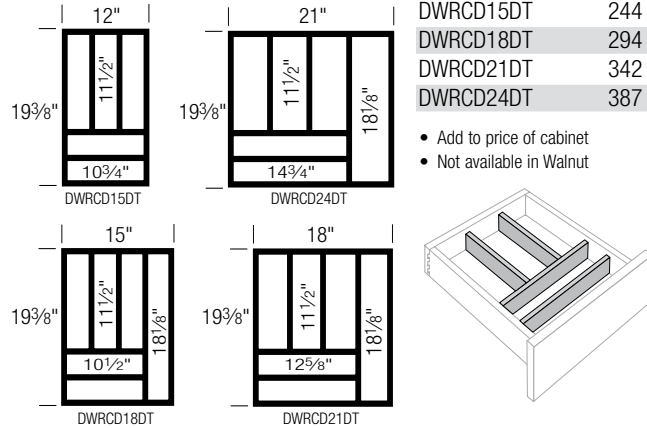
## K-Cup Insert



SKU	Price
KCUPINSERT18	170
KCUPINSERT24	205

- Holds 30 K-Cups; KCUPINSERT24 also has space for cutlery
- Solid wood, Natural Maple finish; not available in Walnut
- For 18" or 24" wide base cabinet drawers
- Simple drop-in installation
- Field cut to size
- 2 1/4" high

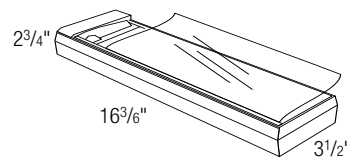
## Dovetail Cutlery Insert



SKU	Price
DWRCD15DT	244
DWRCD18DT	294
DWRCD21DT	342
DWRCD24DT	387

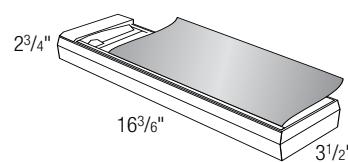
- Add to price of cabinet
- Not available in Walnut

## Blum Plastic Wrap Dispenser



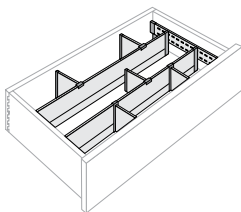
SKU	Price
BLUMPWD	206

## Blum Aluminum Foil Dispenser



SKU	Price
BLUMAFD	195

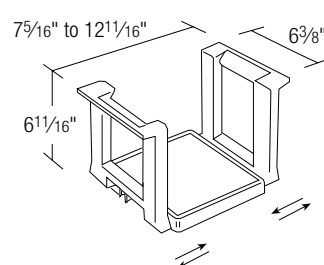
## Deep Drawer Dividers



SKU	Price
DDD30	350
DDD36	393

- For 24"-deep cabinet only
- Compression fit front-to-back
- Order DDD30 for 30"; DDD36 for 36" 2-drawer and 3-drawer base cabinets
- Only for Wood Dovetail Drawers; will not fit in Metal Drawer box

## Convertible Plate Holder



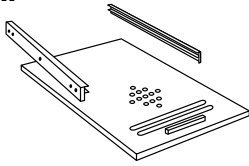
SKU	Price
CPH	502

- Accommodates plates 7" to 12" wide
- Safely stack and transport up to 12 plates



## Accessories : Drawer Organization

### Bread Bin

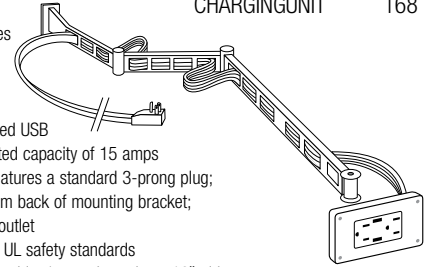


SKU	Price
BREADBIN15/18	125
BREADBIN21	125

- See-through top
- Installs on top of deep drawer in DB cabinets
- Requires field installation and trimming

### Charging Drawer Unit

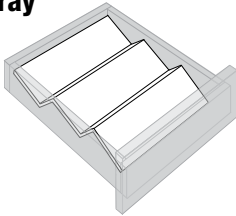
SKU	Price
CHARGINGUNIT	168



- Add a charging unit for phones and devices into a 4" high Wood Dovetail Drawer box
- Includes two 120V electrical plug ins and two 2.1 amp rated USB charging ports with a total rated capacity of 15 amps
- Cord is 14-gauge wire and features a standard 3-prong plug; 3 ft of length hangs freely from back of mounting bracket; plugs into an approved GFCI outlet
- Unit meets US, Canadian and UL safety standards
- Cabinet (or drawer section of cabinet) must be at least 18" wide
- Available only for a top drawer of a base cabinet or bottom drawer of a wall hung
- Requires field-modification of and installation into an existing drawer box

## Accessories : Spice

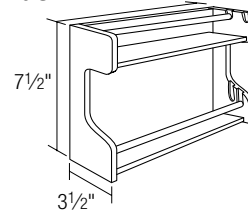
### Spice Tray



SKU	SIZE	Price
SPICETRY1	9"-24"	199
SPICETRY2	27"-36"	346

- Field cut to size
- Made of wood
- Not available in Walnut

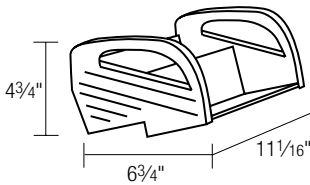
### Spice Rack



SKU	Price
SPRK15	215
SPRK18	265

- Solid Maple only; not available in Walnut
- Adjustable dowels
- Fits in between shelves
- Requires field installation

### Orga Line Spice Tray

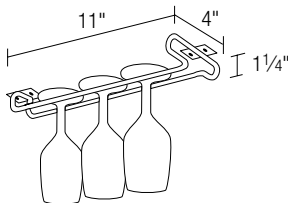


SKU	Price
SPICEORGA	146

- Will not fit into top drawer

## Accessories : Wine

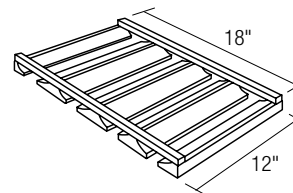
### Stemware Rack



SKU	Price
CHWGH	88

- Inner dimension for stemware: 3 1/2"
- Mounts under Wall Cabinet
- Spacer required if used with Light Rail

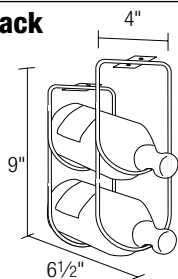
### Wooden Wine Glass Holder



SKU	Price
WWGH	325

- Special sizes not available
- Wood only
- Not available in Red Birch or Walnut

### Bottle Rack

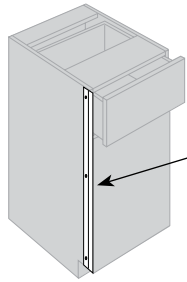


SKU	Price
CHBOTTLE	103

- Mounts under Wall Cabinet
- Spacer required if used with Light Rail

# Accessories : Field Installed

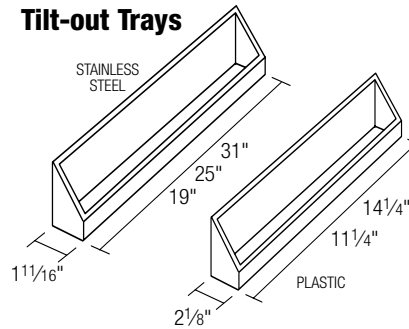
## Heat Shield



SKU	Price
HEATSHIELD-AL	63 Per Set
HEATSHIELD-BK	63 Per Set
HEATSHIELD-WH	63 Per Set
HEATSHIELD-SS	286 Per Set

- Protects cabinet doors from excess oven heat discharged during oven-cleaning process
- Epoxy-coated 22-gauge aluminum
- Specify White, Black, Almond or Stainless Steel
- **Warranty void on Thermofoil without properly-installed Heat Shields**
- One set of White Heat Shields are provided at no charge with each Thermofoil sink base ordered

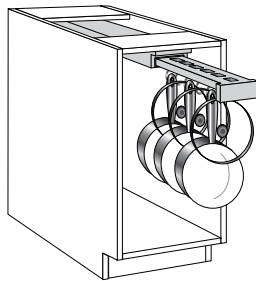
## Tilt-out Trays



SKU	Price
PLASTIC	
TILT-12	94
TILT-15	113
STAINLESS STEEL	
TILT-24S	164
TILT-30S	196
TILT-36S	225

- Plastic Kit includes two trays
- Stainless Kit includes one tray
- All necessary hardware included

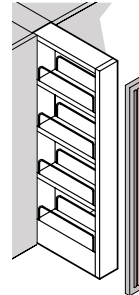
## Glideware Pot and Pan Rack



SKU	Price
GLIDEWAREGRY	520
GLIDEWARENTL	520

- For 24"-deep cabinet only
- Recommended on Full Height cabinets
- Installs using 6 screws
- Blum Softclose Glide
- Includes 7 hooks
- 22" L x 6" w x 3" h (overall height including hooks is 5")
- GRY is painted Grey; NTL is natural Maple; not available in Walnut

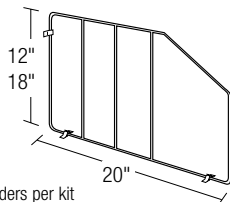
## Pull-out Organizer



- Install between two cabinets
- Apply Filler or Onlay of choice; order separately
- Fits 3" and 6" wide Wall and Base applications
- Not available in Walnut

SKU	Price
WPO330	212
WPO336	260
WPO339	273
WPO342	286
WPO630	268
WPO636	324
WPO639	343
WPO642	357
BPO3	303
BPO6	327

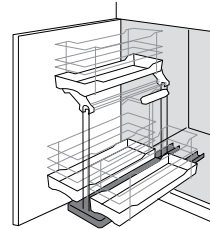
## Tray Divider Kit



SKU	Price
WHITE EPOXY COATED	
12"-OTKIT	114
18"-TBKIT	114
CHROME WIRE	
CH TBKIT12	127
CH TBKIT18	127

- Two dividers per kit
- Mounting hardware included
- Specify 12" for Tall Cabinets or 18" for Base Cabinets
- Specify 12" OTKIT for 24"-deep Oven Cabinet and Wall Cabinets

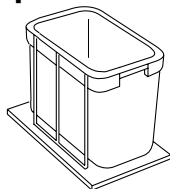
## Kessebohmer Sink Caddy



- SBCADDY1 comes with one removable basket; 18 3/4" deep, 6" wide, 15" high
- SBCADDY3 comes with two removable baskets and one top-mounted basket; 18 3/4" deep, 11" wide, 19 1/2" high
- Consider plumbing location with ordering this item

SKU	Price
SBCADDY1	501
SBCADDY3	797

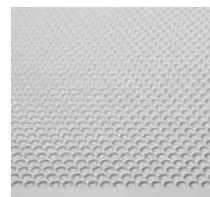
## Vanity Hamper



SKU	Price
HAMPER	331

- Assembly complete
- 60 qt., ventilated, removable, white, **no lid**
- 20"H x 14 3/4"W x 19"D
- Minimum depth requirement: 21"

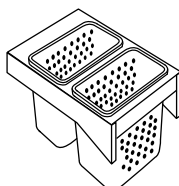
## Sink Mat Kit



- Protects sink base floor from minor spills
- Grey polystyrene Mat 23 5/16" x 40 3/4"
- Fits up to a 42" wide sink base
- Field cut to size
- SINKMATGSKT is an 8' trimmable gasket to seal edges; order separately

SKU	Price
SINKMAT	171
SINKMATGSKT	35

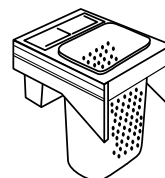
## Hanging Base Hamper



SKU	Price
HAMPER45	708

- Two 35-quart hampers (blue) ventilated, removable
- Built-in lid
- 21 7/16"H x 16 7/16"W x 20 13/16"D; fits cabinet 18" wide x 24" deep
- Soft Close standard

## Hanging Vanity Hamper



SKU	Price
HAMPER45S	708

- One 35-quart hamper (blue) and one 12-quart bin (white), ventilated, removable
- Built-in lid
- 21 7/16"H x 16 7/16"W x 17 5/8"D; fits cabinet 18" wide x 21" deep
- Soft Close standard

## Accessories : Field Installed

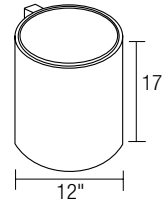
### Lazy Susans

Description	SKU	Price
<b>FOR WALL CABINETS</b>		
Wood Shelf-Mounted 18" Full-Round 42" High	18FRSUSAN	162
<b>FOR BASE CABINETS</b>		
Wood Shelf-Mounted 28" Full-Round 30" High	28FRSUSAN	241
Wood Shelf-Mounted 28" Pie-Cut 30" High	28KIDSUSAN	251
Wood Shelf-Mounted 32" Pie-Cut 30" High	32KIDSUSAN	272

### Recycle Bins

Description	SKU	Price
Recycle Unit – Double	BPREC21	114
Recycle Bin – BREC15 (assembly complete)	RECBIN15	275
Recycle Bin – BREC18 (assembly complete)	RECBIN	418

### Trash Can



SKU	Price
TRASHCAN	410

- Swing-out waste bin; attached to door
- Available in white only
- Self-closing lids
- Requires field installation
- Fits in 18" wide, or larger cabinet

### Waste Baskets

Description	SKU	Price
<del>Wastebasket – BWB15 (assembly complete)</del>	<del>WBASKET</del>	<del>304</del>
Hanging Wastebasket 15"	WBHANG15	624
Hanging Wastebasket 18"	WBHANG18	644
Hanging Wastebasket 21"	WBHANG21	662

## Accessories : Touch Up

### Touch-Up Kit

- Kit includes a Putty Stick and a Touch-up Marker; a Glaze Pen will be included with Glaze orders
- Included at no charge with every sink base cabinet



SKU	Price
TUK	71

NEW!

### Touch-Up Spray Can

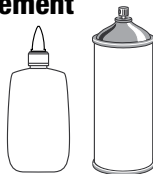
- Each can has a 6.8-ounce capacity
- Available in standard paint colors only; custom paint colors are not available
- 6-month shelf life
- Shipping only available via ground; overnight shipping not available



SKU	Price
SPRAY CAN	40

### Mitrebond Joint Cement

- Use in lieu of nails to fix mitred moulding or applied moulding details



SKU	Price
MITREBOND	118

### Wood Stain

- One quart



SKU	Price
STAIN	70

### Wood Paint

- One quart



SKU	Price
PAINT	155

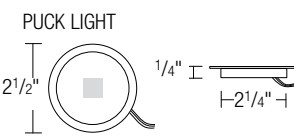
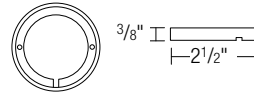
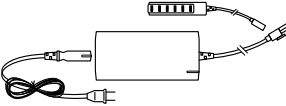

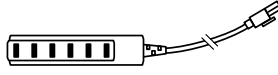

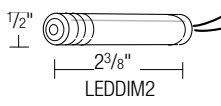

### Wood Glaze

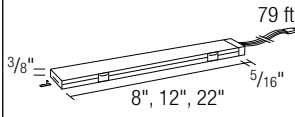
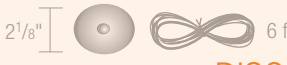
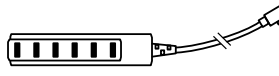

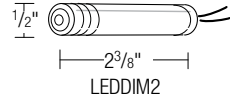
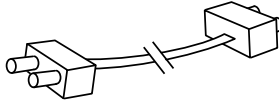

- One quart



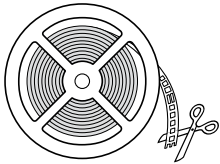
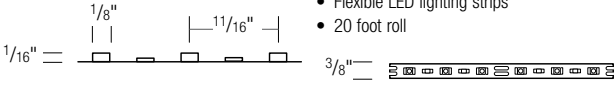
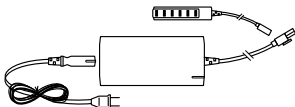
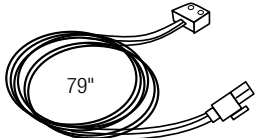
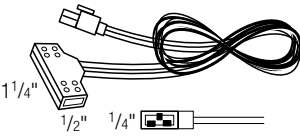


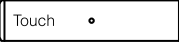
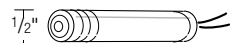
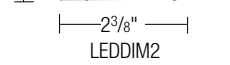

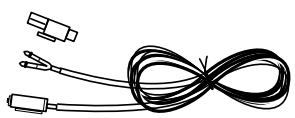
SKU	Price
GLAZE	70

# Accessories : Lighting, Field Installed

PowerPockit LED Puck Light System	
SKU	Price
<b>PUCK LIGHT</b> 	
<b>LED Puck Light Cool</b> LED3WCOOL-AB Antique Brass 115 LED3WCOOL-BL Black 115 LED3WCOOL-CH Chrome 115 LED3WCOOL-NI Nickel 115 LED3WCOOL-WH White 115	
<b>LED Puck Light Warm</b> LED3WWARM-AB Antique Brass 115 LED3WWARM-BL Black 115 LED3WWARM-CH Chrome 115 LED3WWARM-NI Nickel 115 LED3WWARM-WH White 115	
<b>Surface Mount Ring</b> 	
<ul style="list-style-type: none"> <li>• 3W, 5000K</li> <li>• Each light includes 79" of lead cord attached to a mounting bracket and Surface Mount Ring</li> <li>• For pre-drilled lighting holes, order 'Drill For Lighting' Custom Modification; order separately</li> </ul>	
 <b>Power Supply (required)</b> LEDTRANS60W 137 <ul style="list-style-type: none"> <li>• 60 watt, 12VDC with 6-Snap Mounting Block</li> </ul>	
 <b>On/Off Switch (optional)</b> LEDONOFF 87 <b>DISCONTINUED</b> <small>Touch Pad with Cord and Touch Pad; Black</small>	
 <b>Mounting Block (optional)</b> LEDMOUNT 16 <ul style="list-style-type: none"> <li>• Extra 6-Snap Mounting Block</li> </ul>	
 <b>Dimmer (optional)</b> LEDDIM1 71 <ul style="list-style-type: none"> <li>• 27W SimplED Inline Touch Dimmer</li> <li>• Must also order required Dimmer Adapter</li> </ul>	
<b>Dimmer Adapter</b> LEDSMPADP2 7 LEDSMPADP6 11 LEDSMPADP10 12 LEDSMPADP24 15 LEDSMPADP48 18 LEDSMPADP72 18 <ul style="list-style-type: none"> <li>• Required for use with LEDDIM1</li> <li>• Optional for use with LEDDIM2</li> </ul>	
 <b>Dimmer (optional)</b> LEDDIM2 71 <ul style="list-style-type: none"> <li>• Oval Recess/Surface-Mount Dimmer; Nickel</li> </ul>	
 <b>Extension Cords (optional)</b> LEDEXT6 6 inch 7 LEDEXT10 10 inch 11 LEDEXT24 24 inch 12 LEDEXT48 48 inch 15 LEDEXT72 72 inch 18 <ul style="list-style-type: none"> <li>• 12VDC Starter/Link/Extension Cord</li> </ul>	

SimplED Light Bar System	
SKU	Price
	
<b>Light Bar Cool</b> LEDBARWCOOL8 8" 113 LEDBARWCOOL12 12" 152 LEDBARWCOOL22 22" 259	
<ul style="list-style-type: none"> <li>• 4.5W per foot</li> <li>• Nickel</li> <li>• 3 diffuser options standard</li> </ul>	
<b>Light Bar Warm</b> LEDBARWWARM8 8" 113 LEDBARWWARM12 12" 152 LEDBARWWARM22 22" 259	
<b>Power Supply (required)</b> LEDTRANS60W 137 <ul style="list-style-type: none"> <li>• 60 watt, 12VDC with 6-Snap Mounting Block</li> </ul>	
 <b>On/Off Switch (optional)</b> LEDONOFF 87 <b>DISCONTINUED</b> <small>Touch Pad with Cord and Touch Pad; Black</small>	
 <b>Mounting Block (optional)</b> LEDMOUNT 16 <ul style="list-style-type: none"> <li>• Extra 6-Snap Mounting Block</li> </ul>	
 <b>Dimmers (optional)</b> LEDDIM1 71 <ul style="list-style-type: none"> <li>• 27W SimplED Inline Touch Dimmer</li> </ul>	
 <b>LEDDIM2</b> 71 <ul style="list-style-type: none"> <li>• Oval Recess/Surface-Mount Dimmer; Nickel</li> </ul>	
 <b>Link Cords (optional)</b> LEDBARLINK15 2" 9 LEDBARLINK115 6" 11 LEDBARLINK125 9 3/4" 11 LEDBARLINK160 23 1/2" 13 LEDBARLINK1120 47 1/4" 16 LEDBARLINK1180 73 3/4" 19 <ul style="list-style-type: none"> <li>• 12VDC SimplED Linking Cord</li> </ul>	
 <b>Extension Cords (optional)</b> LEDEXT6 6 inch 7 LEDEXT10 10 inch 11 LEDEXT24 24 inch 12 LEDEXT48 48 inch 15 LEDEXT72 72 inch 18 <ul style="list-style-type: none"> <li>• 12VDC Starter/Link/Extension Cord</li> </ul>	

# Accessories : Lighting, Field Installed

LED Flex Tape System		SKU	Price
 	<b>Flex Tape Roll</b>		
	LEDTAPECOOL	504	
	LEDTAPEWARM	504	
	<ul style="list-style-type: none"> <li>• 1.5W per foot</li> <li>• Flexible LED lighting strips</li> <li>• 20 foot roll</li> </ul>		
	<b>Power Supply (required)</b>		
	LEDTRANS60W	137	
	<ul style="list-style-type: none"> <li>• 60 watt, 12VDC with 6-Snap Mounting Block</li> </ul>		
	A Starter Cord is REQUIRED. Choose either:		
	<b>Starter Cord</b>		
	LEDST-START	16	
	<ul style="list-style-type: none"> <li>• Straight feed</li> </ul>		
	OR		
	<b>Tee Starter Cord</b>		
	LEDT-START	9	
	<ul style="list-style-type: none"> <li>• Split feed</li> </ul>		
 	<b>On/Off Switch (optional)</b>		
	LEDONOFF	87	
	<ul style="list-style-type: none"> <li>• 6 ft. Cord with Cord and Touch Pad; Black</li> </ul>		
<b>DISCONTINUED</b>			
	<b>Dimmers (optional)</b>		
	LEDDIM1	71	
	<ul style="list-style-type: none"> <li>• 27W SimpLED Inline Touch Dimmer</li> </ul>		
 	LEDDIM2	71	
	<ul style="list-style-type: none"> <li>• Oval Recess/Surface-Mount Dimmer; Nickel</li> </ul>		
	<b>Flex Link Cords (optional)</b>		
	LEDFLEXLINK2	2"	9
	LEDFLEXLINK6	6"	11
	LEDFLEXLINK10	10"	12
	LEDFLEXLINK24	24"	13
	LEDFLEXLINK48	48"	13
	LEDFLEXLINK72	72"	15
<ul style="list-style-type: none"> <li>• 12VDC SimpLED Linking Cord</li> </ul>			
	<b>Extension Cords (optional)</b>		
	LEDEXT6	6 inch	7
	LEDEXT10	10 inch	11
	LEDEXT24	24 inch	12
	LEDEXT48	48 inch	15
	LEDEXT72	72 inch	18
<ul style="list-style-type: none"> <li>• 12VDC Starter/Link/Extension Cord</li> </ul>			

## Lighting Extension Cord

SKU	Price
EXT CORD	35

- Increase the distance between lighting and transformer by an additional 6 feet

# Hardware

Description	SKU	Price
-------------	-----	-------

## Drawers and Pull-outs Hardware

Glides for Wood Dovetail Box With Soft Close (includes screws for installation)		
Tandem Undermount, 3/4-extension – 12"	GC01B	103
Tandem Undermount, Full-extension – 15"	GC03B	102
Tandem Undermount, Full-extension – 18"	GC04B	90
Tandem Undermount, Full-extension – 21"	GC05B	102
Tandem Undermount, Full-extension – 24"	GC06B	131
Pull-Out Spacer for EPOS	PP009	13
Pull-Out Spacer for Wood Dovetail Drawer	RM0574	13
Drawer Front Attachment Kit	RECDHATT	6
Blum Orange Drawer Clip Set	BLUMDWRLPSET	11
Blum Orange Drawer Clip Set w/Side-to-Side Adjustability	BLUMDWRLPSET6W18	
Gray 'L' Runner Covers	BLUMGRYLBKRTSET	10

NEW!

## Installation Hardware

Mending Plates	RM0453	26
Keyboard Hardware	GC02	50
Connecting Bolt, Chrome (box 50)	CONBRKT50	83
Oven Support Shelf Bracket (4/pkg.) each	RM0462	22
Oven Support Shelf Bracket (4/pkg.) box 50	RM0462-50	651
Installation Screw, Almond (box 10)	RM0350-10	21
Installation Screw, Almond (box 50)	RM0350-50	61
Installation Screw, White (box 10)	RM0351-10	21
Installation Screw, White (box 50)	RM0351-50	61
Drawer Front Screws	RM0356-50	26
Oven/Blind Panel Connector (10 pk.)	PP007-10	64
Oven/Blind Panel Connector (box 50)	PP007-50	309
Mitrebond Joint Cement	MITREBOND	118

## Hole Plugs

8mm Almond Plug (box 50)	PP101-50	24
8mm White Plug (box 50)	PP201-50	24
Door Plugs (Box 50)	PP006-50	24

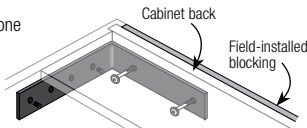
## Kesseböhmer Hardware

Lemans II 90-Degree Swing Restrictor RESTRICTLMS 8  
Please call Customer Service for information and pricing on other items.

NEW!

## Hanging Vanity Bracket

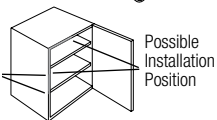
	SKU	Price
• Install two brackets for cabinets 18" wide and wider; install one bracket for cabinets less than 18" wide	HVBRKTKIT	346
• Kit includes bracket(s) and screws	HVBRKTSGLKIT	215
• HVBRKTKIT has 2 brackets; HVBRKTSGLKIT has one		
• Additionally, cabinets must be securely fastened with sufficient type, quantity and size of screws to wall studs and internal structural wall blocking placed between wall studs		
• If Wall-Hung Vanities are properly installed using Hanging Vanity Brackets, field-installed pedestals are not required		



## Soft-Close Door Mechanism

	SKU	Price
	BLUMDOOR1	3
	BLUMDOOR2	4
• Order BLUMDOOR1 for single door cabinets; BLUMDOOR2 for double-door cabinets		
• Field-installed only		
• Will not work on Diagonal cabinets		

Optimal Installation Position



Description	SKU	Price
-------------	-----	-------

## Door Accessories and Hinges

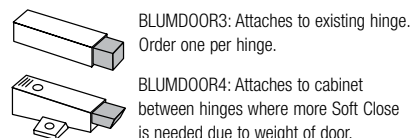
Door Bumper, Clear (box 50)	PP003-50	27
Dust Strip, Black (8')	PP219	57
Dust Strip, White (8')	PP220	57
BEC Hinge	HG13	26
Cam Adjustable Clip On Hinge Plate	HP01C	11
WTC Hinge – self close	HG21	26
WTC Cam Adjustable Hinge Plate	HP08C	12
WTC Hinge – soft close	HG24	31
Blind Wall Hinge – self close	HG05	26
Blind Wall Cam Adjustable Hinge Plate	HP01C	11
Blind Wall Hinge – SoftClose	HG37	54
Clip-On Hinge – 110° soft close	HG23	31
Cam Adjustable Clip-On Hinge Plate	HP01C	11
Clip-On Hinge – 110° self close	HG06	26
Cam Adjustable Clip-On Hinge Plate	HP01C	11
Corner Hinge for CB or CW – 170°	HG27	23
Cam Adjustable Clip-On Hinge Plate	HP01C	11
Corner Hinge for CB or CW – door to door	HG16	26
Cam Adjustable Clip-On Hinge Plate	HP01C	11
Diagonal Hinge for DCB or DCW – self close	HG28	23
Cam Adjustable Clip-On Hinge Plate	HP01C	11
Diagonal Hinge for DCB or DCW – soft close	HG25	30
Free-Swinging Cam Adjustable Hinge	HG08	12
Cam Adjustable Clip-On Hinge Plate	HP01C	11
Hinge Cover Cap; excludes WEC (box 50)	UCCOVERCAP	30
WEC Hinge Cover Cap – 45° (box 50)	PP045A-50	32
Tilt-Out Hinge	RM0214	33
Touch Latch and Plate (1 each)	TCHLATCHBLM	38
Hinge Restrictors (restricts 110°-86°)	RESTRICT110	5
Hinge Restrictors (restricts 110°-86°)	RESTRICT110-10	31
Hinge Restrictors (restricts 110°-86°)	RESTRICT110-50	151
Hinge Restrictors (restricts 170°-130°)	RESTRICT170	5
Hinge Restrictors (restricts 170°-130°)	RESTRICT170-10	26
Hinge Restrictors (restricts 170°-130°)	RESTRICT170-50	109

## Shelf Hardware

Shelf Clip, Clear, for 5/8" shelf (box 50)	PP207-50	24
Shelf Clip, Clear, for 3/4" shelf (box 50)	PP211-50	24
Shelf Clip Set, Metal (50 front, 50 rear)	SHCLIP-25	37
Shelf Clip Set, Metal (2 front, 2 rear)	SHELFCLIP	2
Shelf Support, Metal, for glass shelf (box 50)	PP111-50	24
Open (Floating) Shelf Metal Bracket	FSB22.5X8	154
Open (Floating) Shelf Metal Bracket	FSB22.5X10	199
Open (Floating) Shelf Metal Bracket	FSB2X8	92
Open (Floating) Shelf Metal Bracket	FSB2X10	135

## Hinge-Side Soft-Close Door Mechanism

	SKU	Price
BLUMDOOR3: Attaches to existing hinge. Order one per hinge.	BLUMDOOR3	6
BLUMDOOR4: Attaches to cabinet between hinges where more Soft Close is needed due to weight of door.	BLUMDOOR4	11



Quantities may vary depending on door size and weight; trial application recommended  
Will not work on Diagonal Cabinets

